

ELECTRICAL SPECIFICATIONS:

OPERATING TEMPERATURE RANGE:

: -40°C TO +85°C

1.0 INDUCTANCE: (P6-J3) = (P5-J4) = (P4-J5) = (P3-J6)

: 20 uH MIN @1MHz, 20 mV

2.0 LEAKAGE INDUCTANCE

- (P6-J3), SHORT (P5-J4), (P4-J5), (P3-J6) : 0.20 uH MAX @1MHz, 20 mV
- (P5-J4), SHORT (P6-J3), (P4-J5), (P3-J6) : 0.20 uH MAX @1MHz, 20 mV
- (P4-J5), SHORT (P6-J3), (P5-J4), (P3-J6) : 0.20 uH MAX @1MHz, 20 mV
- (P3-J6), SHORT (P6-J3), (P5-J4), (P4-J5) : 0.20 uH MAX @1MHz, 20 mV

3.0 COUPLING CAPACITANCE P3 TO P4 TO P5 TO P6
SHORT (P6-J3), (P5-J4), (P4-J5), (P3-J6)

: 20 pF MAX. @1MHz, 20 mV

4.0 DC RESISTANCE (P6-J3) = (P5-J4) = (P4-J5) = (P3-J6) : 0.5 OHM MAX

5.0 COMMON MODE ATTENUATION

FREQUENCY (MHZ)

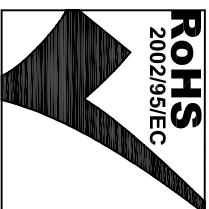
dB (MIN)

- 0.3
- 1
- 10
- 30
- 50
- 100
- 300
- 500

- 12
- 19
- 30
- 30
- 35
- 32
- 25
- 18

6.0 HIPOT

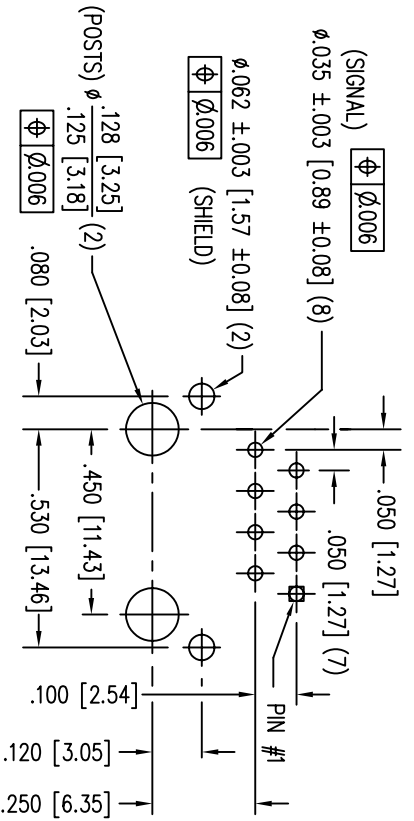
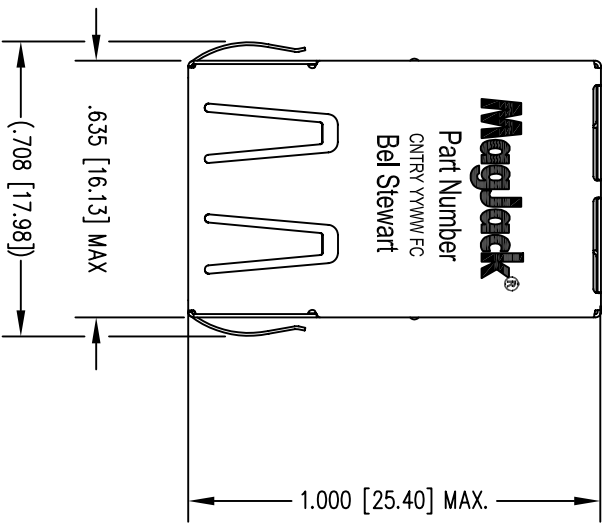
: 500 Vrms
(REF. DOC.
HAND -WORK-03)



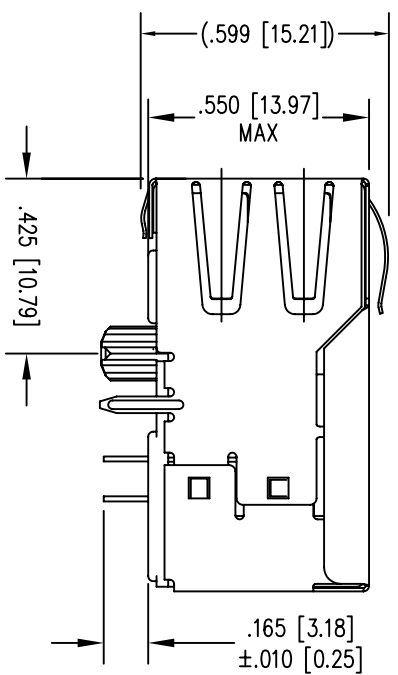
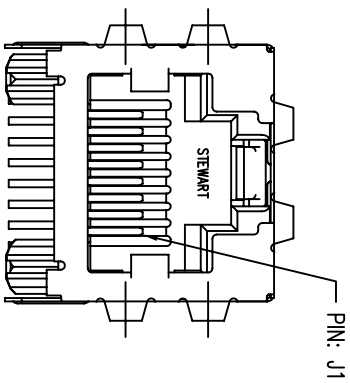
Bel Stewart Connector
11118 Susquehanna Trail, South
Glen Rock, Pa 17327-9199
717.234.7512

MagJack
<http://www.stewartconnector.com>

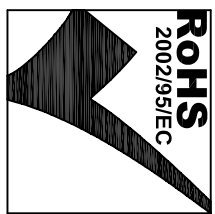
THIS DRAWING AND THE SUBJECT MATTER SHOWN THEREON ARE CONFIDENTIAL AND PROPERTY OF BEL STEWART CONNECTOR AND SHALL NOT BE REPRODUCED, COPIED, OR USED IN ANY MANNER WITHOUT PRIOR WRITTEN CONTENT OF BEL STEWART CONNECTOR. THE SUBJECT MATTER MAY BE PATENTED OR A PATENT MAY BE PENDING.



P.C.B. RECOMMENDED HOLE LAYOUT
SEEN FROM COMPONENT SIDE
ALL CENTERLINE DIMENSIONS ARE BASIC.



- NOTES:
- CONNECTOR MATERIALS:
HOUSING: THERMOPLASTIC UL94 V-0
CONTACT/SHIELD: COPPER ALLOY
SHIELD PLATING: NICKEL OR TIN
CONTACT PLATING: SELECTIVE GOLD,
50 MICRO-INCHES MIN. IN CONTACT AREA.
 - PIN NOT ELECTRICALLY CONNECTED MAYBE OMITTED.
SEE ELECTRICAL DRAWING FOR OMITTED PINS.
 - TOLERANCES COMPLY WITH F.C.C. DIMENSION REQUIREMENTS.
 - ALL TOLERANCES NOT OTHERWISE SPECIFIED TO BE \pm .005 [0.13]
 - WAVE SOLDER COMPATIBLE - PREHEAT 125°C/90SECS.

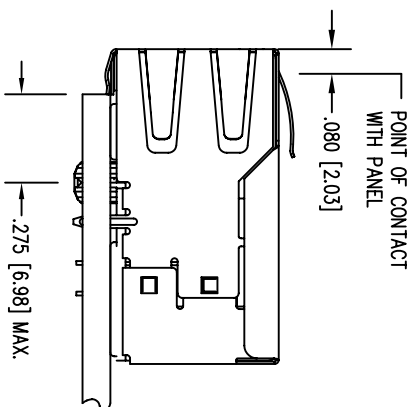
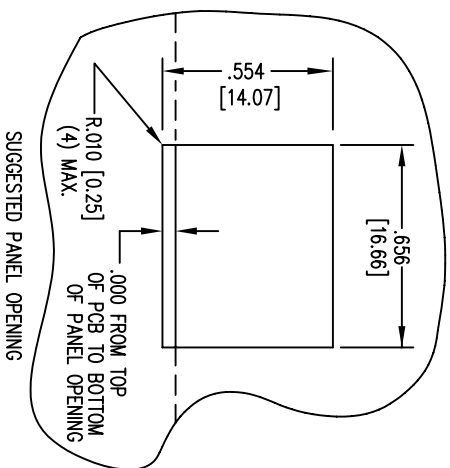


THIS DRAWING AND THE SUBJECT MATTER SHOWN THEREON ARE CONFIDENTIAL AND PROPERTY OF BEL STEWART CONNECTOR AND SHALL NOT BE REPRODUCED, COPIED, OR USED IN ANY MANNER WITHOUT PRIOR WRITTEN CONTENT OF BEL STEWART CONNECTOR. THE SUBJECT MATTER MAY BE PATENTED OR A PATENT MAY BE PENDING.

Bel Stewart Connector
11118 Susquehanna Trail, South
Glen Rock, Pa 17327-9199
717.234.7512
<http://www.stewartconnector.com>

MagJack

SHEET 3 OF 3 DRAWING NO. SI-50223-F REV. X1



1. THE SUGGESTED PANEL OPENING IS INTENDED TO GIVE THE USER THE ABILITY TO HAVE REASONABLE JACK / PANEL CLEARANCES YET MAINTAIN RELIABLE GROUNDING CAPABILITY.
2. ALL TOLERANCES NOT OTHERWISE SPECIFIED TO BE ±.005 [0.13]

THIS DRAWING AND THE SUBJECT MATTER SHOWN THEREON ARE CONFIDENTIAL AND PROPERTY OF BEL STEWART CONNECTOR AND SHALL NOT BE REPRODUCED, COPIED, OR USED IN ANY MANNER WITHOUT PRIOR WRITTEN CONTENT OF BEL STEWART CONNECTOR. THE SUBJECT MATTER MAY BE PATENTED OR A PATENT MAY BE PENDING.

Bel Stewart Connector
 11118 Susquehanna Trail, South
 Glen Rock, Pa 17327-9199
 717.234.7512

MagJack
<http://www.stewartconnector.com>

SHEET
 3 OF 3

DRAWING NO.
 SI-50223-F

REV.
 X1