

**ELECTRICAL SPECIFICATIONS:**

OPERATING TEMPERATURE RANGE:

1.0 TURNS RATIO: (P3-P2) : (J4-J5)  
 (P5-P4) : (J6-J3)  
 (P9-P8) : (J8-J7)  
 (P10-P11) : (J2-J1)

2.0 INDUCTANCE: (P3-P2) ; (P5-P4)  
 (P10-P11) ; (P9-P8)

3.0 LEAKAGE INDUCTANCE: P3-P2 (WITH J4 AND J5 SHORT)  
 P5-P4 (WITH J6 AND J3 SHORT)  
 P9-P8 (WITH J8 AND J7 SHORT)  
 P10-P11 (WITH J1 AND J2 SHORT)

4.0 DC RESISTANCE: (J6-J3) ; (J2-J1) ; (J7-J8) ; (J4-J5)

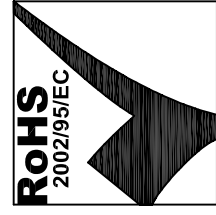
: -40°C TO +85°C

: 1 : 1 ±2%  
 : 1 : 1 ±2%  
 : 1 : 1 ±2%  
 : 1 : 1 ±2%

: 350 uH MIN. @ 0.1V, 100KHz, 8 mA DC BIAS  
 : 350 uH MIN. @ 0.1V, 100KHz, 8 mA DC BIAS

: .35uH MAX @ 1MHz  
 : .35uH MAX @ 1MHz  
 : .35uH MAX @ 1MHz  
 : .35uH MAX @ 1MHz

: 1.2 ohms Max.



**Bel Stewart Connector**  
 11118 Susquehanna Trail, South  
 Glen Rock, Pa 17327-9199  
 717.234.7512



http://www.stewartconnector.com

THIS DRAWING AND THE SUBJECT MATTER SHOWN THEREON ARE CONFIDENTIAL AND PROPERTY OF BEL STEWART CONNECTOR AND SHALL NOT BE REPRODUCED, COPIED, OR USED IN ANY MANNER WITHOUT PRIOR WRITTEN CONTENT OF BEL STEWART CONNECTOR. THIS SUBJECT MATTER MAY BE PATENTED OR A PATENT MAY BE PENDING.

SHEET 1 OF 4  
 DRAWING NO. S-50109-E  
 REV. 07

5.0 RETURN LOSS: 1MHz TO 30MHz  
 30MHz TO 60MHz  
 60MHz TO 80MHz  
 80MHz TO 100MHz

: -19dB MIN.  
 : -13dB MIN.  
 : -12dB MIN.  
 : -10dB MIN.

6.0 DIELECTRIC WITHSTAND: (J1,J2) TO (P10,P11) ; (J5,J4) TO (P3-P2)  
 (J3,J6) TO (P5,P4) ; (J8,J7) TO (P9, P8)

: 1500 VAC  
 : 1500 VAC

7.0 INSERTION LOSS: RS=RL=100 ohms  
 100KHz TO 125MHz

: -1.1 dB TYP

8.0 RISE TIME: RS=100 OHMS AND RL = 100 OHMS  
 OUTPUT VOLTAGE = 1 V peak  
 PULSE WIDTH= 112nS

: 3.0 nS MAX  
 : 3.0 nS MAX

9.0 CROSS TALK: 1-100 MHz

:  $-[33-20 \text{ LOG } (\frac{F}{50 \text{ MHz}})] \text{ MIN.}$

10.0 COMMON TO COMMON MODE ATTENUATION: 1MHz TO 100MHz

: -35dB TYP

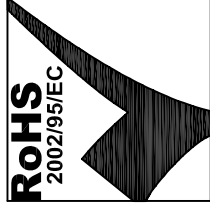
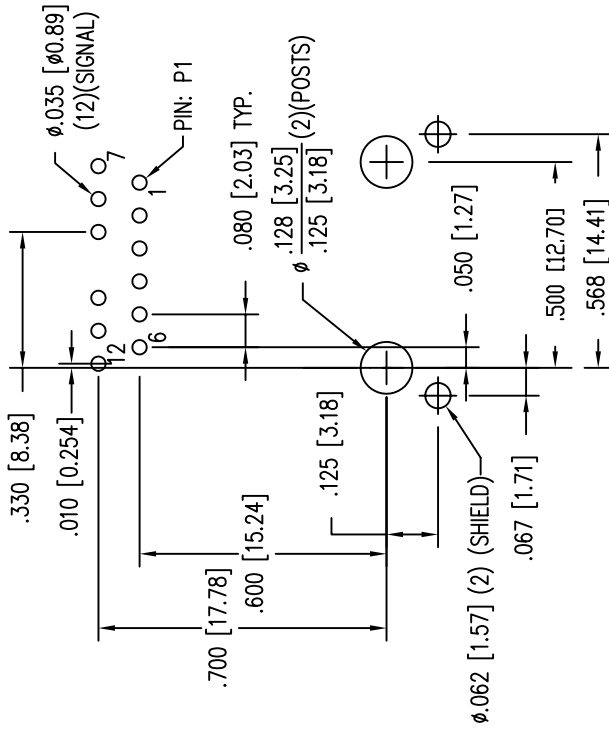
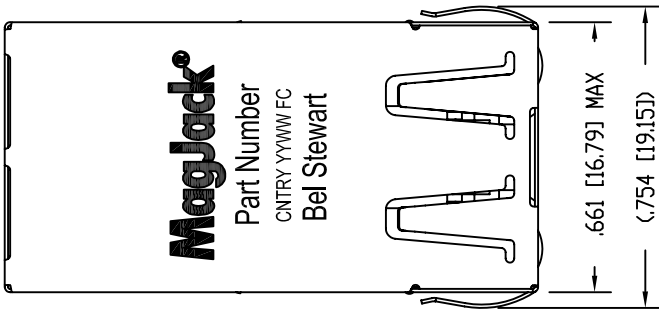
Bel Stewart Connector  
 11118 Susquehanna Trail, South  
 Glen Rock, Pa 17327-9199  
 717.234.7512



<http://www.stewartconnector.com>

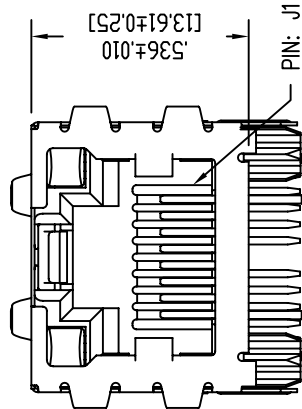
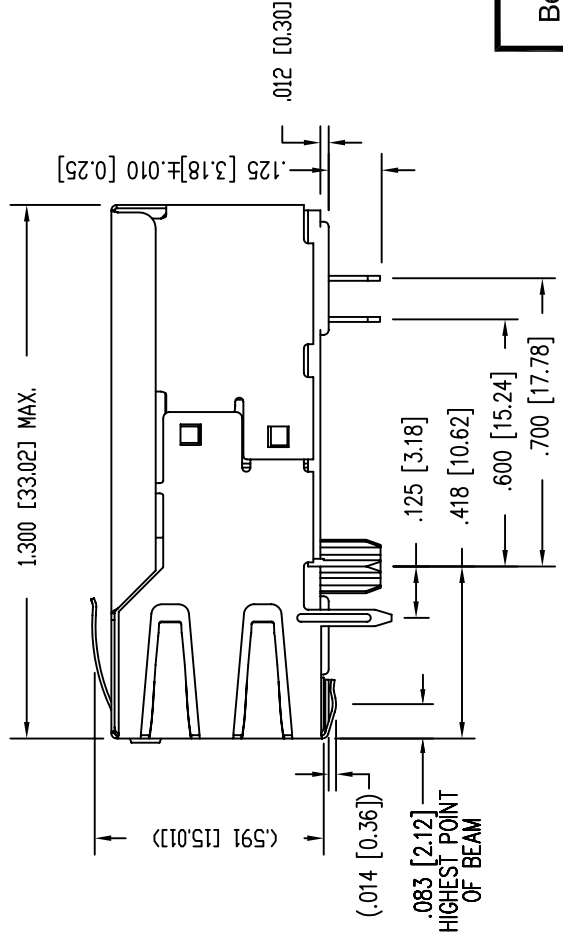
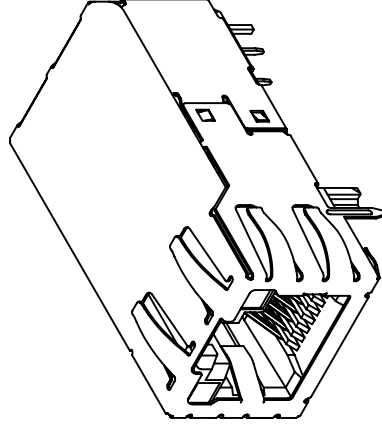
THIS DRAWING AND THE SUBJECT MATTER SHOWN THEREON ARE CONFIDENTIAL AND PROPERTY OF BEL STEWART CONNECTOR AND SHALL NOT BE REPRODUCED, COPIED, OR USED IN ANY MANNER WITHOUT PRIOR WRITTEN CONTENT OF BEL STEWART CONNECTOR. THIS SUBJECT MATTER MAY BE PATENTED OR A PATENT MAY BE PENDING.

SHEET 2 OF 4  
 DRAWING NO. S-50109-E  
 REV. 07



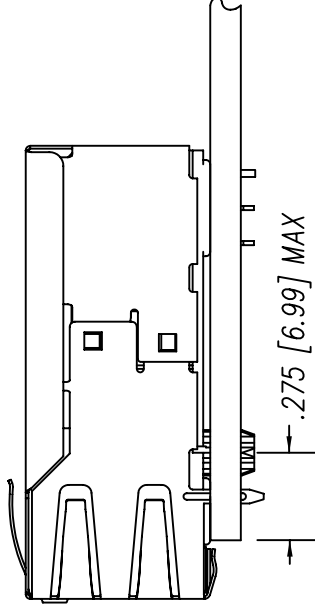
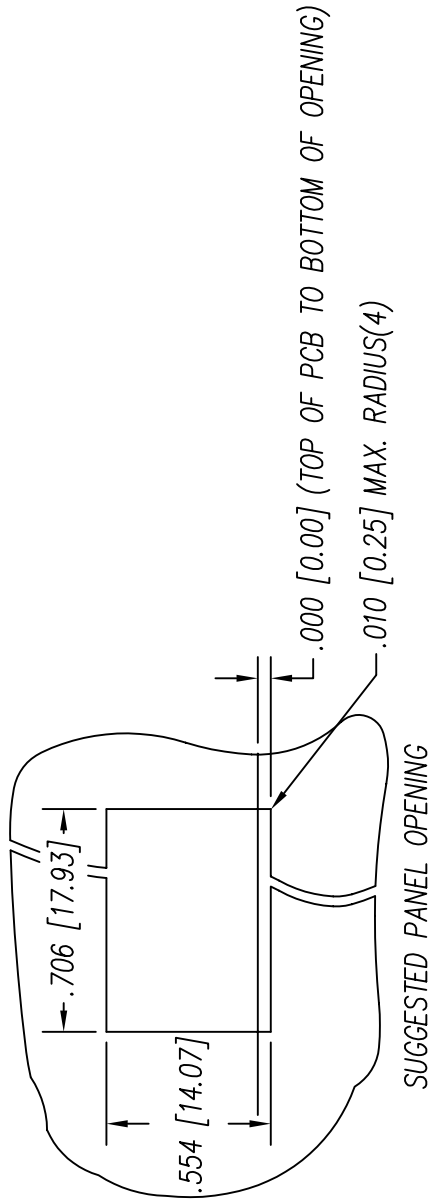
NOTES:

- CONNECTOR MATERIALS:  
 HOUSING: THERMOPLASTIC UL94 V-0  
 CONTACT/SHIELD: COPPER ALLOY  
 SHIELD PLATING: NICKEL OR TIN  
 CONTACT PLATING: SELECTIVE GOLD,  
 50 MICRO-INCHES MIN. IN CONTACT AREA.
- PIN NOT ELECTRICALLY CONNECTED MAYBE OMITTED.  
 SEE ELECTRICAL DRAWING FOR OMITTED PINS.
- TOLERANCES COMPLY WITH F.C.C. DIMENSION REQUIREMENTS.
- ALL TOLERANCES NOT OTHERWISE SPECIFIED TO BE ±.005 [0.13]
- REFLOW AND WAVE SOLDER COMPATIBLE -260°C FOR  
 10 SECONDS MAX.



**Bel Stewart Connector**  
 11118 Susquehanna Trail, South  
 Glen Rock, Pa. 17327-9199  
 717.234.7512

**MagJack®**  
<http://www.stewartconnector.com>



1. THE SUGGESTED PANEL OPENING IS INTENDED TO GIVE THE USER THE ABILITY TO HAVE REASONABLE JACK / PANEL CLEARANCES YET MAINTAIN RELIABLE GROUNDING CAPABILITY.
2. ALL TOLERANCES NOT OTHERWISE SPECIFIED TO BE  $\pm 0.005$  [0.13]

Bel Stewart Connector  
 11118 Susquehanna Trail, South  
 Glen Rock, Pa 17327-9199  
 717.234.7512

**MagJack®**

<http://www.stewartconnector.com>

SHEET  
4 OF 4

DRAWING NO.

SI-50109-E

REV.

05

THIS DRAWING AND THE SUBJECT MATTER SHOWN THEREON ARE CONFIDENTIAL AND PROPERTY OF BEL STEWART CONNECTOR AND SHALL NOT BE REPRODUCED, COPIED, OR USED IN ANY MANNER WITHOUT PRIOR WRITTEN CONTENT OF BEL STEWART CONNECTOR. THE SUBJECT MATTER SHOWN THEREON IS A PATENTED DESIGN AND A PATENT MAY BE OBTAINED FOR THE SAME. THIS SUBJECT MATTER MAY BE PATENTED, COPIED, OR USED IN ANY MANNER WITHOUT PRIOR WRITTEN CONTENT OF BEL STEWART CONNECTOR.