

New Jersey Semi-Conductor Products, Inc.

20 STERN AVE.
 SPRINGFIELD, NEW JERSEY 07081
 U.S.A.

TELEPHONE: (201) 376-2922
 (212) 227-6000
 FAX: (201) 376-8960

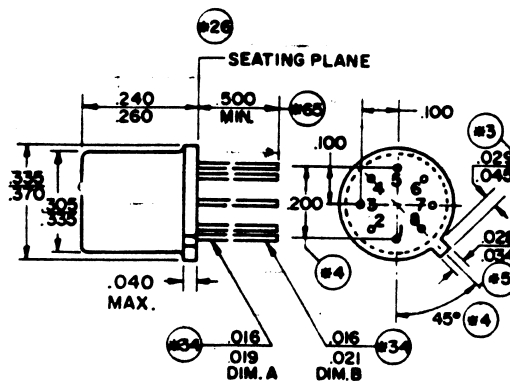
PARAMETERS

2N2807
 SI PNP LO-PWR BJT

Description: Si PNP Lo-Pwr BJT

Manufacturer.....	
Mil/High-Rel? (Y/N).....	
Vbr CEO.....	20
hfe.....	40s
@Ic (A).....	1.0m
@VCE (test) (V).....	5.1
Ic Max. (A).....	30m
Trans. Freq (Hz) Min.....	60M
C(ob) (F).....	8.0p
Icbo Max. @Vcb Max. (A).....	10n
Vbr CBO.....	25
Max. PD (W).....	250m
Derate (Amb) (W/xC).....	1.6m
Oper. Temp (xC) Max.....	175~
Pkg Style.....	T0-77
Surface Mounted (Y/N).....	N
Pinout Equivalence Number.....	7-16

~ Storage Temperature 2 It(rms) s Minimum



Quality Semi-Conductors