

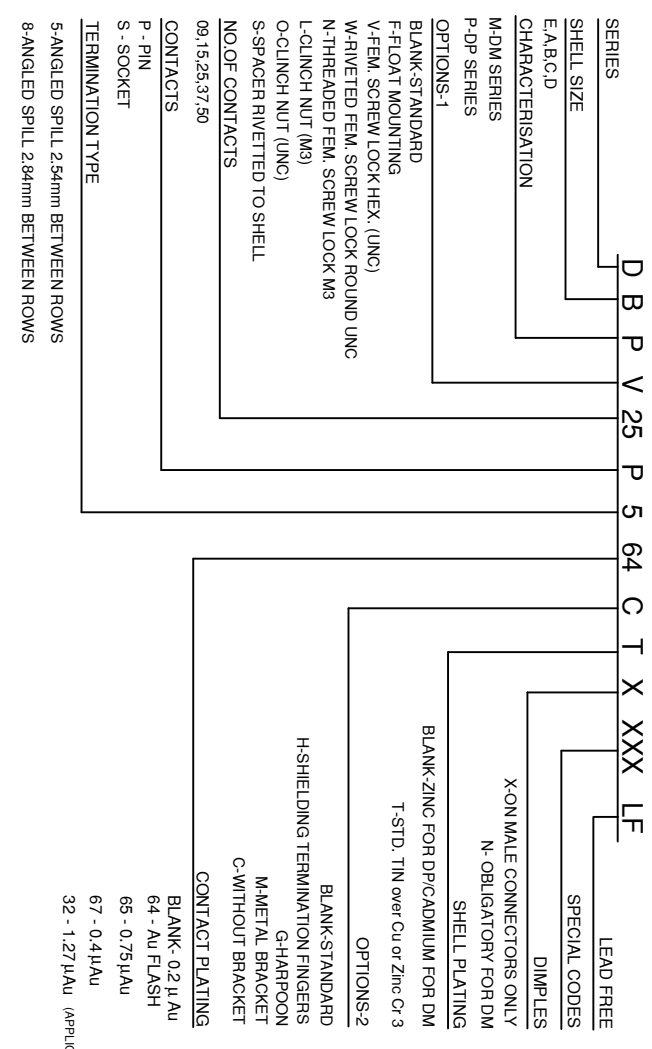
LAYOUT OF 50 POS. CONNECTOR

"This LF product meets European Union Directives and other country regulations as described in GS-22-008"

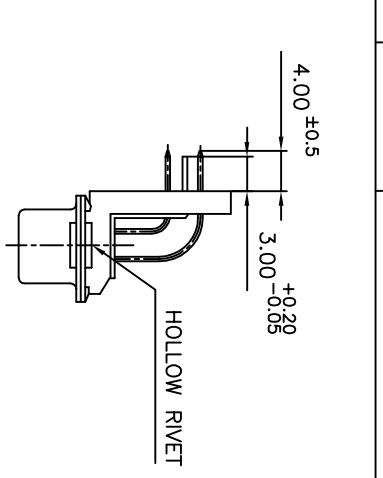
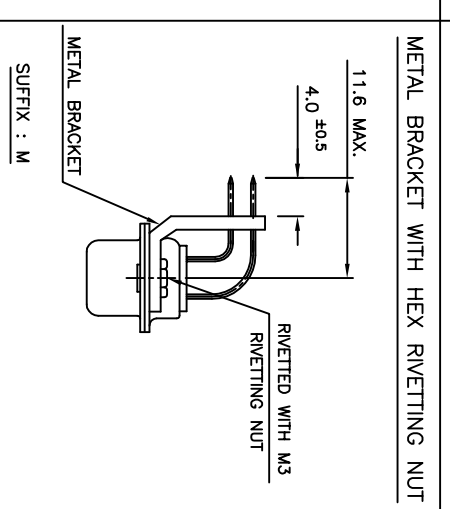
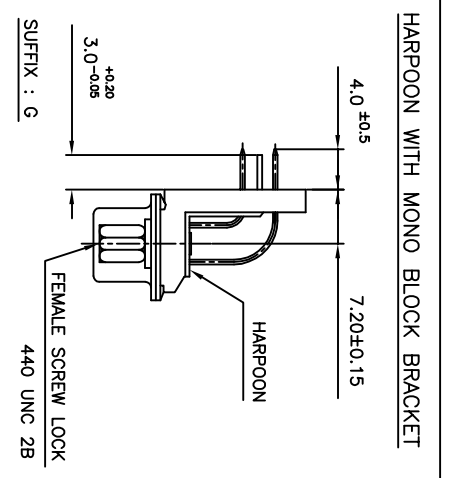
The housing will withstand exposure to 260°C peak temperature for 3.5 seconds in a wave solder application with a 1.6mm minimum thick circuit board.

Packaging as per GS-14-920

ORDERING INFORMATION



CONTACTS DIA ON ACTIVE AREA : Ø1 MM.
 CONTACTS MATERIAL : COPPER ALLOY
 CONTACT PLATING : GOLD OVER NICKEL
 OPERATING TEMPERATURE : -55°C +125°C
 OPERATING CURRENT : 7.5 A PER CONTACT
 CONTACT RESISTANCE : ≤7.3 m Ω
 INSULATION RESISTANCE : ≥50000 M Ω
 MAXIMUM VOLTAGE : 1000 V,r.m.s
 MECHANICAL ENDURANCE : 500 MATTINGS MIN.FOR ≥0.75µGOLD PLATING
 : 200 MATTINGS MIN.FOR ≤0.40µGOLD PLATING
 : 56 DAYS FOR ≥0.75µGOLD PLATING
 : 21 DAYS FOR ≤0.40µGOLD PLATING
 DAMP HEAT



SHELL SIZE	A		B		C		D		E		F		G	
	MAX	MIN	MAX	MIN	MAX	MIN	MAX	MIN	MAX	MIN	MAX	MIN	MAX	
09	30.43	16.21	24.99	7.77	12.17	11.21	10.99	5.85	0.8					
15	38.76	24.54	33.32	7.77	12.17	11.21	10.99	5.85	0.8					
25	52.65	36.25	47.04	7.77	12.17	11.21	10.99	5.85	0.8					
37	68.94	54.71	63.50	7.77	12.17	11.21	10.99	5.85	0.8					
50	66.65	52.68	61.11	11.08	14.99	11.09	5.85	1.0						

NOTE:-INSIDE DIMENSIONS OF MALE AND OUTSIDE DIMENSIONS OF THE FEMALE CONNECTOR.

TECHNICAL SPECIFICATIONS

SHELLS : TIN/CADMIUM/ZINC PLATED STEEL
 INSULATOR MATERIAL : SELF EXTINGUISHING THERMOPLASTIC TO UL CLASS 94 V0
 THE HOUSING WILL WITHSTAND EXPOSURE TO 260-285°C IF WE USE PROTECTIVE ADHESIVE (Type Kapton or Teflon) OR PROTECTIVE METALLIC DEVICE

mat'l. code	surface	tolerance	projection	product family
G	ISO 1302	ISO 406 ISO 1101	MM	D-SUB A/S CONNECTOR
H	ISO 108-0047 MRA	2008-03-25		(DP &DM SERIES WITH ASSEMBLY OPTIONS)

sheet index	revision	date	author	checked	approved	type
1	H	2006-06-08	Mini K Vandana			Product Customer Drawing