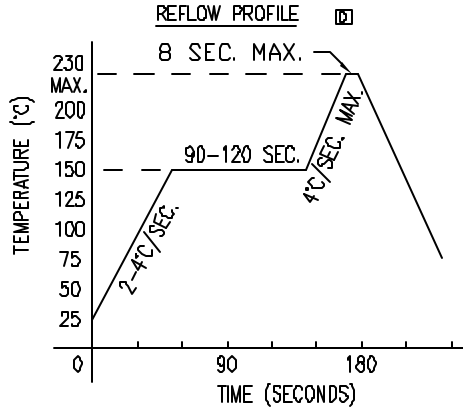
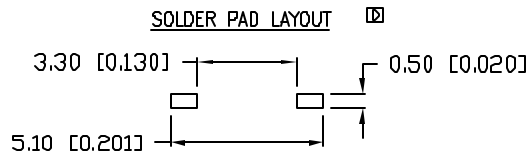
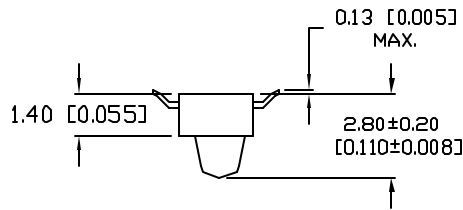
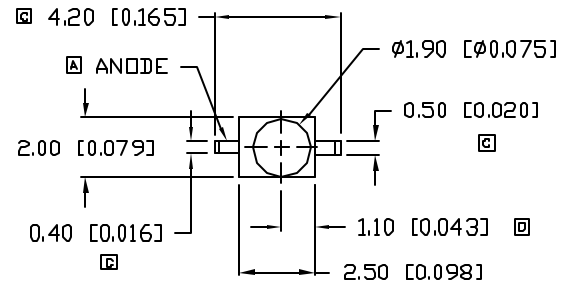


UNCONTROLLED DOCUMENT



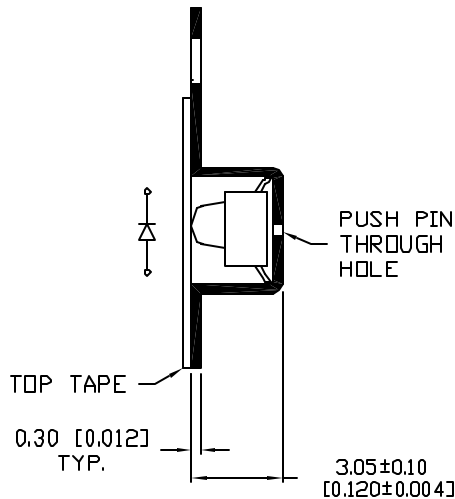
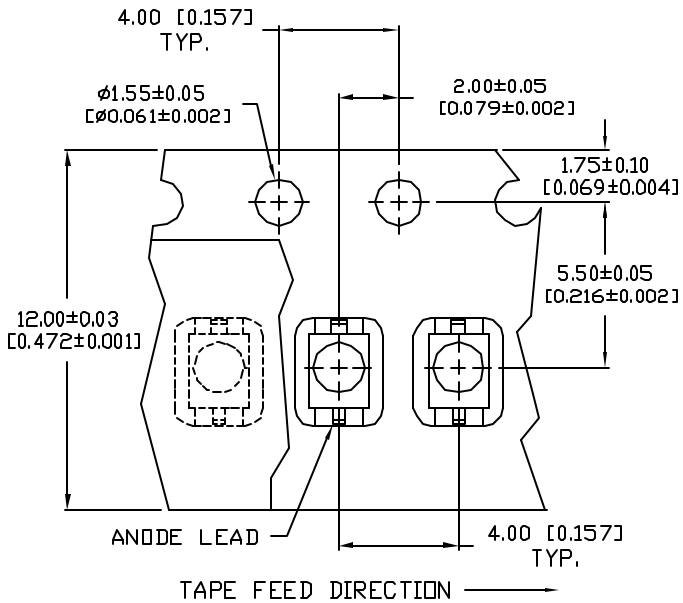
PART NUMBER		REV.
SSL-LXA228GD-TR11		D
REV.	E.C.N. NUMBER AND REVISION COMMENTS	DATE
A	CHG'D SPECS. WHERE NOTED./	8-3-94
B	CHG'D WHERE NOTED./	11-29-94
C	ADDED LEAD WIDTHS, UPDATED LEAD O.A.L./	11-7-95
D	E.C.N. #10550. & #10BRDR.	10-21-99

ELECTRO-OPTICAL CHARACTERISTICS $T_A=25^\circ\text{C}$ $I_f=20\text{mA}$					
PARAMETER	MIN	TYP	MAX	UNITS	TEST COND
PEAK WAVELENGTH		565 (GREEN)		nm	
ⓐ FORWARD VOLTAGE		2.1	2.8	$V_f$	
REVERSE VOLTAGE	5.0			$V_r$	$I_f=100\mu\text{A}$
ⓐ AXIAL INTENSITY		4		mcad	$I_f=20\text{mA}$
ⓐⓐ VIEWING ANGLE		50		2x theta	
EMITTED COLOR:	GREEN				
EPOXY LENS FINISH:	GREEN DIFFUSED				

LIMITS OF SAFE OPERATION AT 25°C		
PARAMETER	MAX	UNITS
ⓐ PEAK FORWARD CURRENT*	160	mA
STEADY CURRENT	25	mA
ⓐ POWER DISSIPATION	100	mW
ⓐ DERATE FROM 25°C	-1.2	mW/°C
ⓐ OPERATING, STORAGE TEMP.	-40 TO +85	°C

\*  $t < 10\mu\text{s}$

NOTES:  
1. 1K PER REEL



REPLACES PART #: SSL-LX223GD-TR11

UNCONTROLLED DOCUMENT  
\*UNLESS OTHERWISE SPECIFIED TOLERANCE IS  $\pm 0.25\text{mm}$  ( $\pm 0.010$ )

REV.	PART NUMBER
D	SSL-LXA228GD-TR11

**CONFIDENTIAL INFORMATION**  
THE INFORMATION CONTAINED IN THIS DOCUMENT IS THE PROPERTY OF LUMEX INC. EXCEPT AS SPECIFICALLY AUTHORIZED IN WRITING BY LUMEX INC, THE HOLDER OF THIS DOCUMENT SHALL KEEP ALL INFORMATION CONTAINED HEREIN CONFIDENTIAL AND SHALL PROTECT SAME IN WHOLE OR IN PART FROM DISCLOSURE AND DISSEMINATION TO ALL THIRD PARTIES.

**RELIABILITY NOTE**  
OUR MANY YEARS OF EXPERIENCE DATA ACCUMULATION INDICATE THAT SOLDER HEAT IS A MAJOR CAUSE OF EARLY AND FUTURE FAILURE. PLEASE PAY ATTENTION TO YOUR SOLDERING PROCESS.

<b>LUMEX INCORPORATED</b>		290 E. HELLEN ROAD PALATINE, ILLINOIS 60067 PHONE: 1-847-359-2790 WEB: HTTP://WWW.LUMEX.COM	
DRAWN BY:	CHECKED BY:	APPROVED BY:	DATE: 6-28-94
JD/CK/DU			PAGE: 1 OF 1
			SCALE: N/A

AXIAL LED, 565nm GREEN LED, GREEN DIFFUSED LENS,  
ⓐ GULL WING LEADS, TAPE AND REEL.