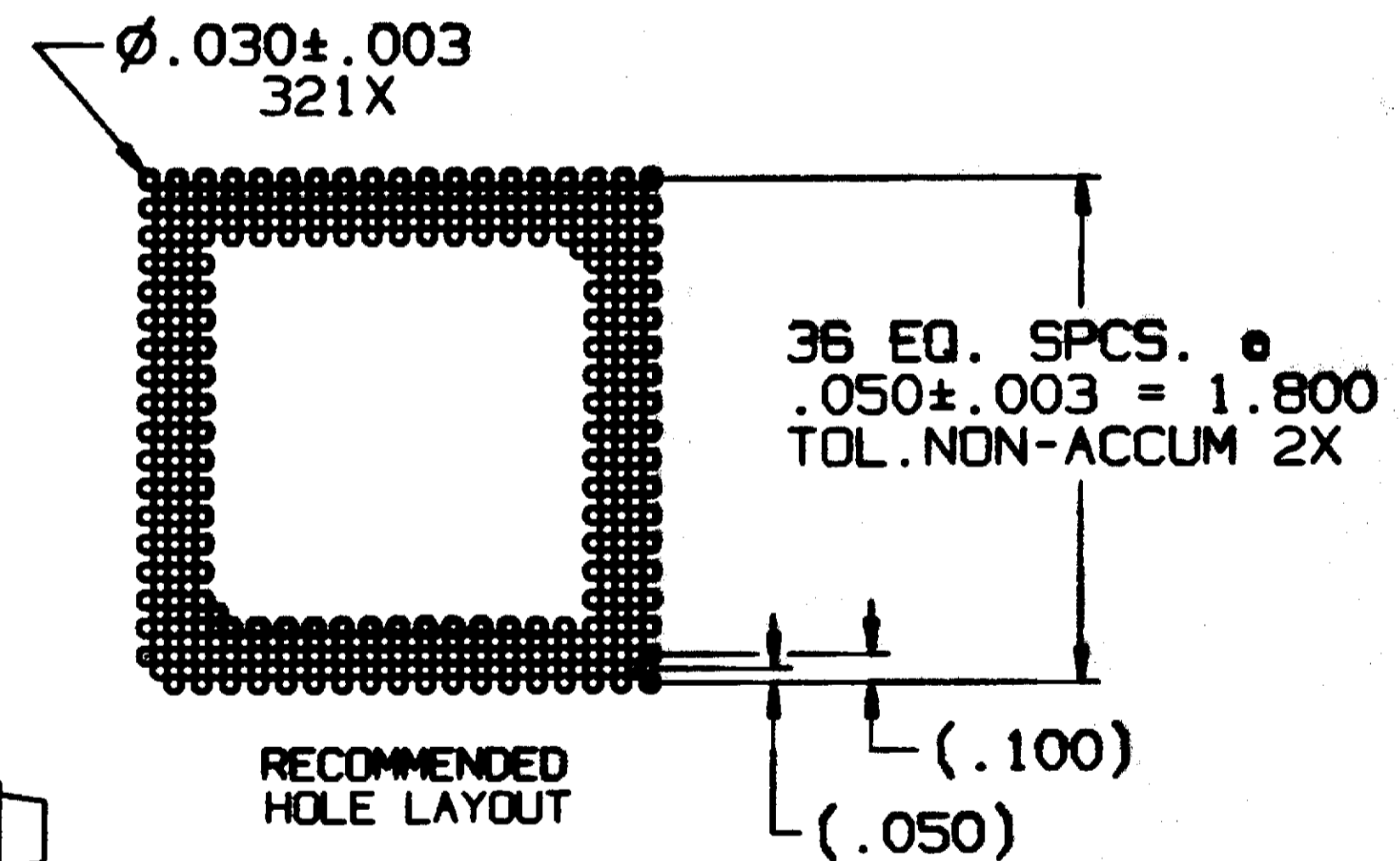
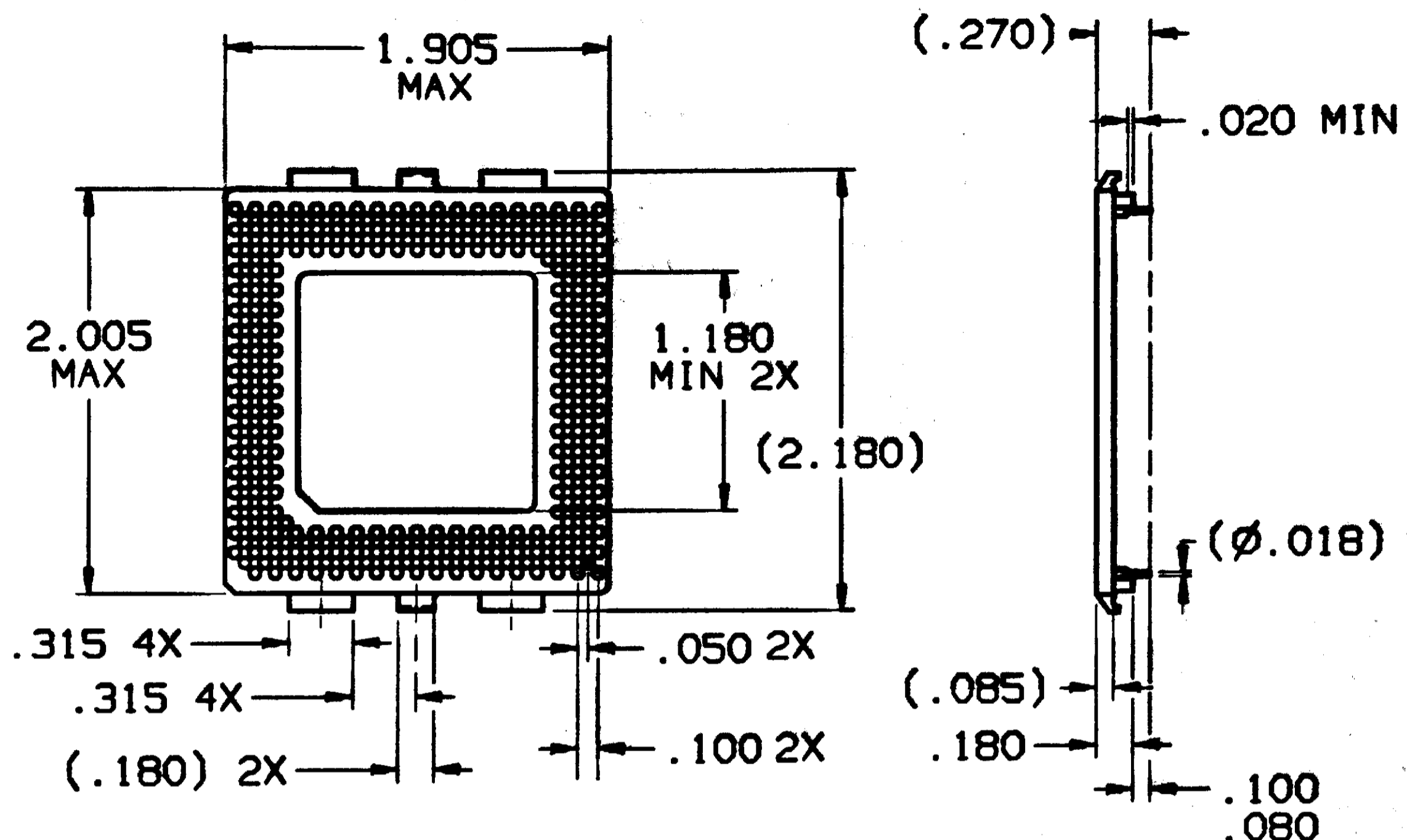


CONVERSION CHART

INCH	MM
.018	0,46
.020	0,51
.030	0,77
.050	1,27
.085	2,16
.100	2,54
.100	2,54
.080	2,04
.180	4,57
.270	6,86
.315	8,00
1.180	29,97
1.905	48,39
2.005	50,93
2.180	55,37



SPECIFICATIONS

**MATERIALS:**  
 INSULATOR: THERMOPLASTIC POLYESTER UL RATED 94V-0  
 CONTACT: COPPER ALLOY, GOLD PLATE 30µ"MIN.  
 SLEEVE: COPPER ALLOY, TIN/LEAD PLATED.

**ELECTRICAL:**  
 CONTACT RESISTANCE: 10 MILLIOHMS MAX.  
 CONTACT RATING: 3 AMPS  
 CAPACITANCE: 1.0 pF PER MIL-STD-202, METHOD 305.  
 DIELECTRIC WITHSTANDING VOLTAGE: 1000 VOLTS (RMS) PER MIL-STD-1344, METHOD 3001.1

**MECHANICAL:**  
 INSERTION FORCE: 37 GRAMS AVERAGE WHEN MEASURED WITH Ø.018 POLISHED STEEL PIN.  
 WITHDRAWAL FORCE: 15 GRAMS AVERAGE WHEN MEASURED WITH Ø.018 POLISHED STEEL PIN.

**ENVIRONMENTAL:**  
 OPERATION TEMPERATURE: -55°C TO +105°C

THIS IS A C.A.D. GENERATED DRAWING.  
 DO NOT MAKE MANUAL REVISIONS TO MASTER.

OUTLINE DRAWING

SPECIFICATIONS ARE SUBJECT TO CHANGES WITHOUT NOTICE

REV	0	1
REVISIONS	INITIAL RELEASE ESR# A8677 S.C. 1-29-98 APP'D SAC 1-29-98	DCO# 106452 S.C. 2-2-98 APP'D SAC 2-2-98

THIRD ANGLE PROJECTION

TOLERANCES (EXCEPT AS NOTED)  
 DECIMAL .XXX = .010  
 MM .XXX = 0.25

**AUGAT CONFIDENTIAL**  
 This document contains information which is the exclusive property of Augat Inc. Distribution, reproduction or use by others is not permitted without the expressed written consent of Augat Inc.

UNLESS OTHERWISE SPECIFIED DIMENSIONS ARE IN INCHES DO NOT SCALE PRINT	ORIGINAL DATE OF DRAWING: 1-29-98
FILE NAME: 223440L	DIRECTORY: PS25401M
MATERIAL: SEE ABOVE	DRAWN: SAC
FINISH: SEE ABOVE	DATE: 1-29-98
	CHECKED: DATE:
	APPROVED: SAC
	DATE: 1-29-98
	CODE IDENT. NO. 91506
	DWG. SIZE B
	NEXT ASSY:

T&B	452 JOHN BIETSCH BLVD. ATTLEBORO FALLS, MA. 02763 INC.
TITLE:	OUTLINE DRAWING SOCKET ASSEMBLY
DWG. NO.	PIM321-22344-SD
REV.	1
PRODUCT CODE:	162
SCALE:	NONE
SHEET	1 OF 1

CAD0130908

FIRST DESIGNED FOR: