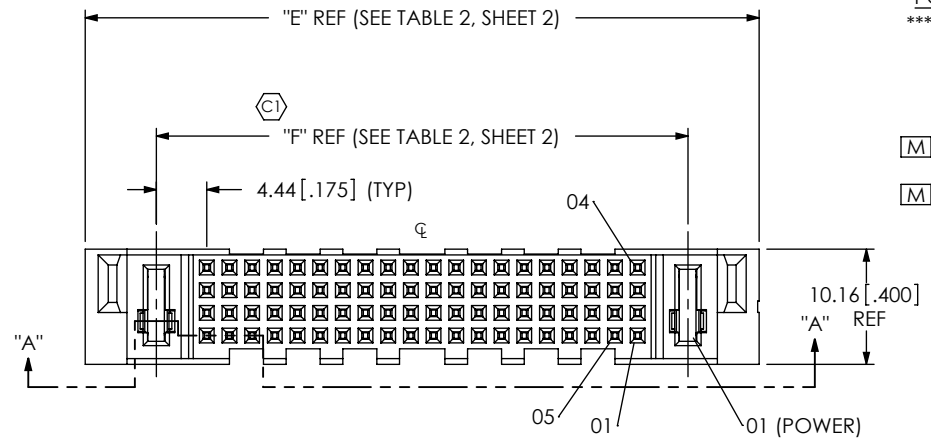


DO NOT SCALE FROM THIS PRINT

DESIGNED & DIMENSIONED IN MILLIMETERS

MPSC-XX-XX-XX-X.XX-XX-X-V-XX



- POWER PINS (PER END)**  
 \*\*\*-00 \* -01, -02  
**SIGNAL PINS**  
 \*-80 (4 X 20)  
 -48 (4 X 12)  
 -36 (4 X 9)  
 -24 (4 X 6)  
 [M] \*\*\* -20 (4 X 5)  
 -16 (4 X 4)  
 [M] \*\*\* -12 (4 X 3)  
 -08 (4 X 2)  
 -04 (4 X 1)
- POWER PINS (PER END)**  
 \*-01, -02  
 \*\*\*-03, \*\*\*-04 [M]  
 \*\*\*-H1, \*\*\*-H2, \*\*\*-H3, \*\*\*-H4  
 (H-X INDICATES HOT SWAP OPTION)
- LEAD STYLE**  
 -7.70  
 \*\* -9.70  
 (SEE TABLE 1)
- OPTION**  
 -LC: LOCKING CLIP (USE LC-07-TM) (SEE FIG. 2, SHT 2)
- VERTICAL**
- PLATING SPECIFICATION**  
 -L: SEE TABLE 3  
 -T: SEE TABLE 3
- TAIL LENGTH**  
 -01: FOR 1.57 [.062] THICK PCB  
 -02: FOR 2.36 [.093] THICK PCB
- \* = SEE TABLE 2 FOR AVAILABLE COMBINATIONS**  
**\*\* = NOT TOOLED**  
**\*\*\* = NOT RELEASED**

FIG. 1

MPSC-01-80-01-7.70-01-X-V SHOWN

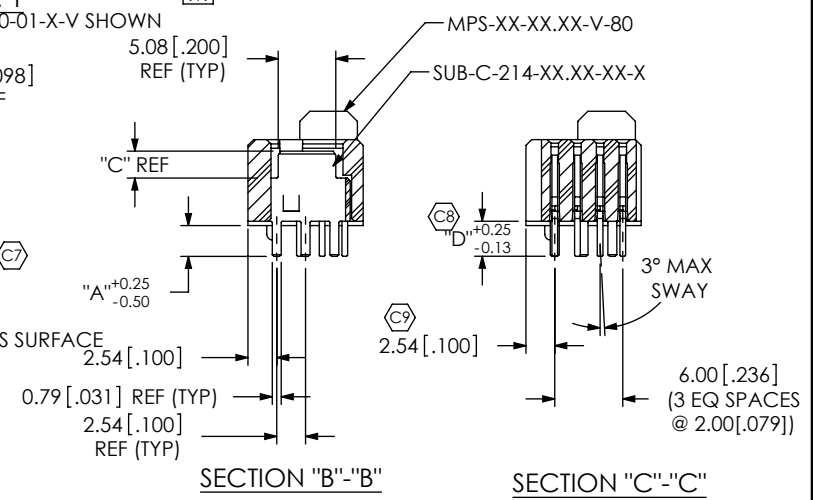
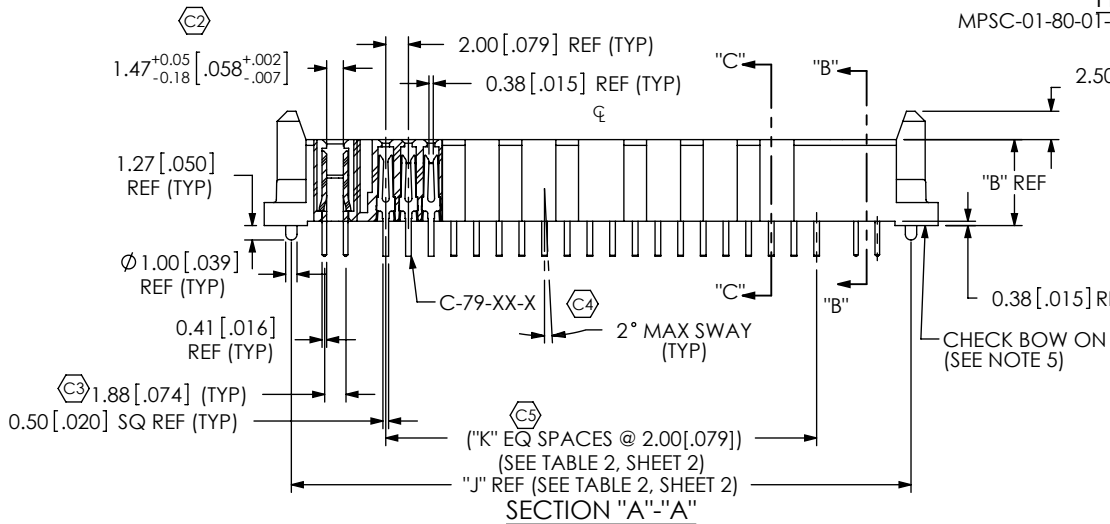


TABLE 1

PART NUMBER	BODY	POWER CONTACT SUB-ASSEMBLY	SIGNAL CONTACT	"A"	"B"	"C"	"D"	STACK HEIGHT
								MPSC-6.30-X-V-XX
MPSC-XX-XX-XX-7.70-01-X-V-XX	MPS-XX-07.70-V-XX-XX	SUB-C-214-07.70-01-X	C-79-07-L	2.72 [0.107]	7.58 [0.298]	2.37 [0.094]	3.09 [0.122]	14mm
MPSC-XX-XX-XX-7.70-02-X-V-XX	MPS-XX-07.70-V-XX-XX	SUB-C-214-07.70-03-X	C-79-20-L	3.52 [0.139]			3.89 [0.153]	
** MPSC-XX-XX-XX-9.70-01-X-V-XX	MPS-XX-09.70-V-XX-XX	SUB-C-214-09.70-01-X	C-79-53-L	2.72 [0.107]	9.58 [0.377]	4.37 [0.172]	2.789 [0.110]	16mm
** MPSC-XX-XX-XX-9.70-02-X-V-XX	MPS-XX-09.70-V-XX-XX	SUB-C-214-09.70-03-X	C-79-20-L	3.52 [0.139]			3.89 [0.153]	

\*\* = NOT TOOLED

NOTES:

- ⊙ REPRESENTS A CRITICAL DIMENSION.
- BURR ALLOWANCE: 0.038 [.0015] MAX.
- MINIMUM PUSHOUT FORCE: 4.45 N [1.0 LB].
- PARTS TO BE PACKAGED IN TRAYS.
- BOW ALLOWED AT .05 MM/MM [.002 IN/IN].
- MINIMUM SIGNAL CONTACT & -LC PULLOUT FORCE: 4.45 N [1.0 LB]
- PARTS TO BE PACKAGED IN TRAYS.

UNLESS OTHERWISE SPECIFIED, DIMENSIONS ARE IN MILLIMETERS. TOLERANCES ARE:  
 DECIMALS ANGLES  
 X.X: ±0.3 [.01]  
 X.XX: ±0.13 [.005]  
 X.XXX: ±0.051 [.0020]

**PROPRIETARY NOTE**  
 THIS DOCUMENT CONTAINS INFORMATION CONFIDENTIAL AND PROPRIETARY TO SAMTEC, INC. AND SHALL NOT BE REPRODUCED OR TRANSFERRED TO OTHER DOCUMENTS OR DISCLOSED TO OTHERS OR USED FOR ANY PURPOSE OTHER THAN THAT WHICH IT WAS OBTAINED WITHOUT THE EXPRESSED WRITTEN CONSENT OF SAMTEC, INC.



520 PARK EAST BLVD, NEW ALBANY, IN 47150  
 PHONE: 812-944-6733 FAX: 812-948-5047  
 e-Mail: info@SAMTEC.com code: 55322

**MATERIAL:** DO NOT SCALE DRAWING SHEET SCALE: 1:5:1  
 INSULATOR: LCP, COLOR: BLACK  
 POWER CONTACT: COPPER ALLOY  
 SIGNAL CONTACT: PHOS BRONZE

**DESCRIPTION:**  
 VERTICAL MINI-POWER W/ SIGNAL SOCKET  
**DWG. NO.**  
 MPSC-XX-XX-XX-X.XX-XX-X-V-XX

**BY:** BRATCHER 2/16/2007 **SHEET 1 OF 3**

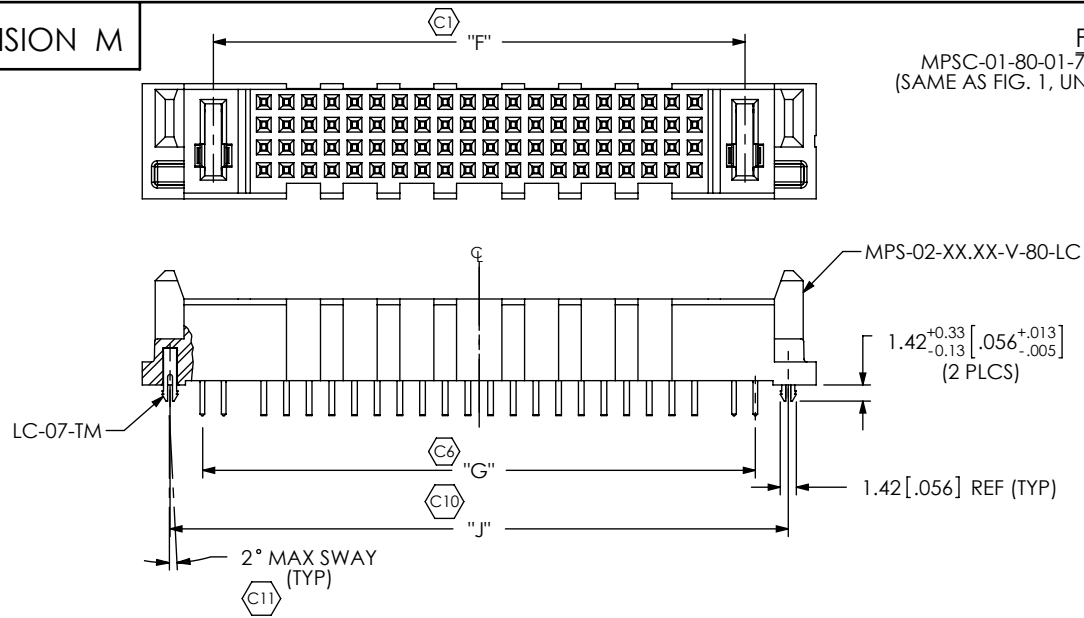


FIG. 2  
MPS-01-80-01-7.70-0T-X-V-LC SHOWN  
(SAME AS FIG. 1, UNLESS OTHERWISE STATED)

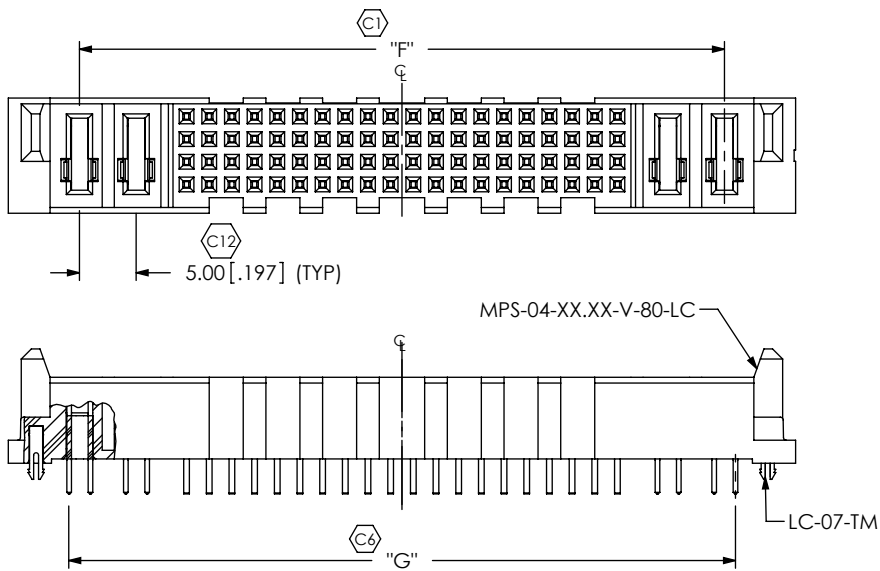
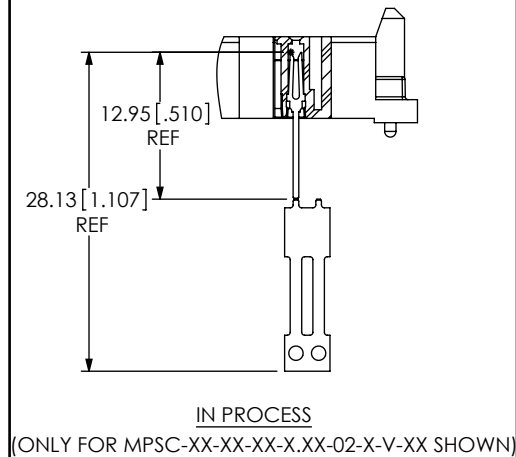
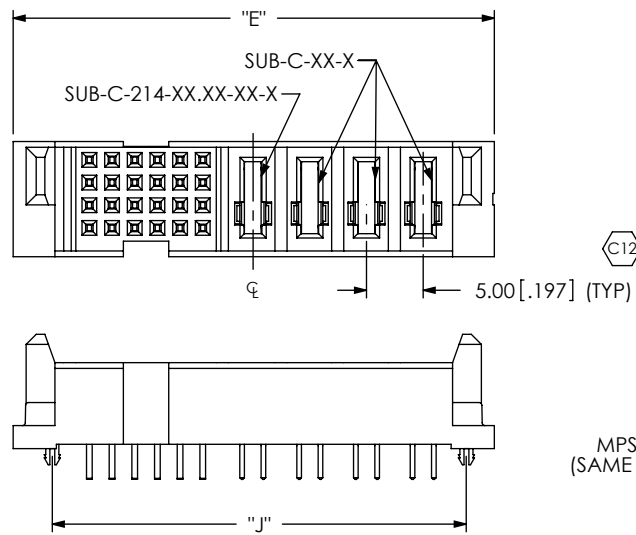


FIG. 3  
MPS-02-80-02-7.70-0T-X-V-LC SHOWN  
(SAME AS FIG. 1, UNLESS OTHERWISE STATED)



\*\*FIG. 4  
MPS-00-24-01-7.70-0T-X-V-LC SHOWN  
(SAME AS FIG. 1, UNLESS OTHERWISE STATED)

\*\*\*NOT RELEASED FOR PRODUCTION

**TABLE 3**

PLATING	POWER PIN CONNECTOR	POWER PIN TAIL	SIGNAL PIN CONTACT AREA	SIGNAL PIN TAIL
-L	LIGHT GOLD	MATTE TIN	LIGHT GOLD	MATTE TIN
-T	MATTE TIN	MATTE TIN	LIGHT GOLD	MATTE TIN

**PROPRIETARY NOTE**  
THIS DOCUMENT CONTAINS INFORMATION CONFIDENTIAL AND PROPRIETARY TO SAMTEC, INC. AND SHALL NOT BE REPRODUCED OR TRANSFERRED TO OTHER DOCUMENTS OR DISCLOSED TO OTHERS OR USED FOR ANY PURPOSE OTHER THAN THAT WHICH IT WAS OBTAINED WITHOUT THE EXPRESSED WRITTEN CONSENT OF SAMTEC, INC.

DO NOT SCALE DRAWING

SHEET SCALE: 1.75:1

**samtec**

520 PARK EAST BLVD, NEW ALBANY, IN 47150  
PHONE: 812-944-6733 FAX: 812-948-5047  
e-Mail: info@SAMTEC.com code: 55322

DESCRIPTION:  
VERTICAL MINI-POWER W/ SIGNAL SOCKET

DWG. NO.  
MPSC-XX-XX-XX-X.XX-XX-X-V-XX

BY: BRATCHER 2/16/2007 SHEET 2 OF 3


TABLE 2

PART NUMBER	BODY	"E"		"F"		"G"		"J"		"K"
MPSC-01-80-X1-X XX-XX-X-V-XX	MPS-02-XX XX-V-80-XX	59.44	[2.340]	46.89	[1.846]	48.77	[1.920]	54.52	[2.146]	19
MPSC-02-80-X2-X XX-XX-X-V-XX	MPS-04-XX XX-V-80-XX	69.44	[2.734]	56.89	[2.240]	58.77	[2.314]	64.52	[2.540]	19
MPSC-01-48-X1-X XX-XX-X-V-XX	MPS-02-XX XX-V-48-XX	43.44	[1.710]	30.89	[1.216]	32.77	[1.290]	38.52	[1.517]	11
MPSC-02-48-X2-X XX-XX-X-V-XX	MPS-04-XX XX-V-48-XX	53.44	[2.104]	40.89	[1.610]	42.77	[1.684]	48.52	[1.910]	11
MPSC-01-36-X1-X XX-XX-X-V-XX	MPS-02-XX XX-V-36-XX	37.44	[1.474]	24.89	[0.980]	26.77	[1.054]	32.52	[1.280]	8
MPSC-02-36-X2-X XX-XX-X-V-XX	MPS-04-XX XX-V-36-XX	47.44	[1.868]	34.89	[1.374]	36.77	[1.448]	42.52	[1.674]	8
MPSC-01-24-X1-X XX-XX-X-V-XX	MPS-02-XX XX-V-24-XX	31.44	[1.238]	18.89	[0.744]	20.77	[0.818]	26.52	[1.044]	5
MPSC-02-24-X2-X XX-XX-X-V-XX	MPS-04-XX XX-V-24-XX	41.44	[1.631]	28.89	[1.137]	30.77	[1.211]	36.52	[1.438]	5
MPSC-01-20-X1-X XX-XX-X-V-XX	MPS-02-XX XX-V-20-XX	29.44	[1.159]	16.89	[0.665]	18.77	[0.739]	24.52	[0.965]	4
MPSC-02-20-X2-X XX-XX-X-V-XX	MPS-04-XX XX-V-20-XX	39.44	[1.553]	26.89	[1.059]	28.77	[1.133]	34.52	[1.359]	4
MPSC-01-16-X1-X XX-XX-X-V-XX	MPS-02-XX XX-V-16-XX	27.44	[1.080]	14.89	[0.586]	16.77	[0.660]	22.52	[0.887]	3
MPSC-02-16-X2-X XX-XX-X-V-XX	MPS-04-XX XX-V-16-XX	37.44	[1.474]	24.89	[0.980]	26.77	[1.054]	32.52	[1.280]	3
MPSC-01-12-X1-X XX-XX-X-V-XX	MPS-02-XX XX-V-12-XX	25.44	[1.002]	12.89	[0.507]	14.77	[0.581]	20.52	[0.808]	2
MPSC-02-12-X2-X XX-XX-X-V-XX	MPS-04-XX XX-V-12-XX	35.44	[1.395]	22.89	[0.901]	24.77	[0.975]	30.52	[1.202]	2
MPSC-01-08-X1-X XX-XX-X-V-XX	MPS-02-XX XX-V-08-XX	23.44	[0.923]	10.89	[0.429]	12.77	[0.503]	18.52	[0.729]	1
MPSC-02-08-X2-X XX-XX-X-V-XX	MPS-04-XX XX-V-08-XX	33.44	[1.317]	20.89	[0.822]	22.77	[0.896]	28.52	[1.123]	1
MPSC-01-04-X1-X XX-XX-X-V-XX	MPS-02-XX XX-V-04-XX	21.44	[0.844]	8.89	[0.350]	10.77	[0.424]	16.52	[0.650]	N/A
MPSC-02-04-X2-X XX-XX-X-V-XX	MPS-04-XX XX-V-04-XX	31.44	[1.238]	18.89	[0.744]	20.77	[0.818]	26.52	[1.044]	N/A
MPSC-00-24-X3-X XX-XX-X-V-XX	MPS-03-XX XX-V-24-XX-PS	37.44	[1.474]	N/A	N/A	N/A	N/A	32.52	[1.280]	5
MPSC-00-24-X4-X XX-XX-X-V-XX	MPS-04-XX XX-V-24-XX-PS	42.44	[1.671]	N/A	N/A	N/A	N/A	37.52	[1.477]	5
MPSC-00-20-X3-X XX-XX-X-V-XX	MPS-03-XX XX-V-20-XX-PS	35.44	[1.395]	N/A	N/A	N/A	N/A	30.52	[1.202]	4
MPSC-00-20-X4-X XX-XX-X-V-XX	MPS-04-XX XX-V-20-XX-PS	40.44	[1.592]	N/A	N/A	N/A	N/A	35.52	[1.398]	4
MPSC-00-16-X3-X XX-XX-X-V-XX	MPS-03-XX XX-V-16-XX-PS	33.44	[1.317]	N/A	N/A	N/A	N/A	28.52	[1.123]	3
MPSC-00-16-X4-X XX-XX-X-V-XX	MPS-04-XX XX-V-16-XX-PS	38.44	[1.513]	N/A	N/A	N/A	N/A	33.52	[1.320]	3
MPSC-00-12-X3-X XX-XX-X-V-XX	MPS-03-XX XX-V-12-XX-PS	31.44	[1.238]	N/A	N/A	N/A	N/A	26.52	[1.044]	2
MPSC-00-12-X4-X XX-XX-X-V-XX	MPS-04-XX XX-V-12-XX-PS	36.44	[1.435]	N/A	N/A	N/A	N/A	31.52	[1.241]	2

PROPRIETARY NOTE  
 THIS DOCUMENT CONTAINS INFORMATION  
 CONFIDENTIAL AND PROPRIETARY TO  
 SAMTEC, INC. AND SHALL NOT BE REPRODUCED  
 OR TRANSFERRED TO OTHER DOCUMENTS OR  
 DISCLOSED TO OTHERS OR USED FOR ANY  
 PURPOSE OTHER THAN THAT WHICH IT WAS  
 OBTAINED WITHOUT THE EXPRESSED WRITTEN  
 CONSENT OF SAMTEC, INC.

DO NOT SCALE DRAWING

SHEET SCALE: 1.75:1



520 PARK EAST BLVD, NEW ALBANY, IN 47150  
 PHONE: 812-944-6733 FAX: 812-948-5047  
 e-Mail: info@SAMTEC.com code: 55322

DESCRIPTION: VERTICAL MINI-POWER W/ SIGNAL SOC

DWG. NO. MPSC-XX-XX-XX-X.XX-XX-

BY: BRATCHER 2/16/2007 SHEET 3 OF 3