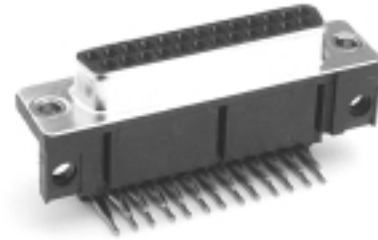


**METAL SHELL RIGHT ANGLE
FEMALE RECEPTACLES
FOR PCB MOUNTING**



PHYSICAL PROPERTIES

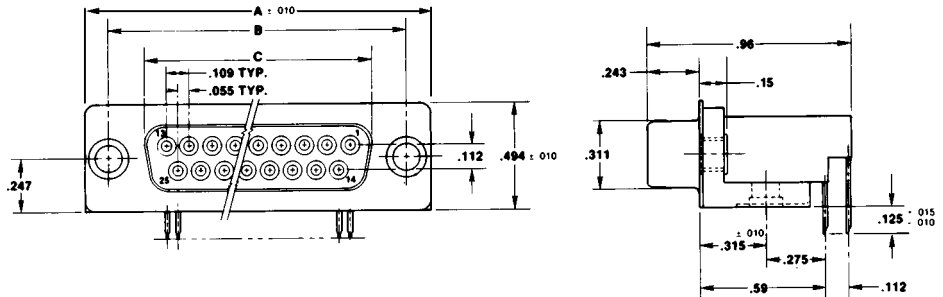
INSULATION MATERIAL: Glass filled thermoplastic rated UL 94V-0
COLOR: Black
CONTACTS: High strength copper alloy
METAL SHELL: Steel, bright tin plate
DURABILITY: Up to 500 insertions and withdrawals without degradation of performance, dependent upon contact plating thickness selected

ELECTRICAL PROPERTIES

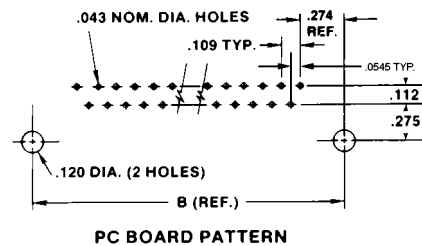
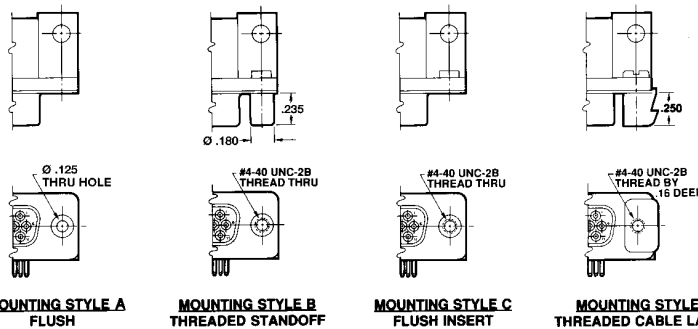
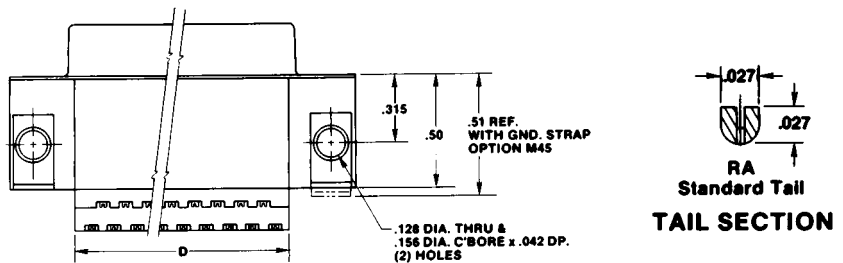
OPERATING VOLTAGE: 600 VDC (sea level)
CURRENT RATING: 5 Amperes
CONTACT RESISTANCE: 10 milliohms max. @ rated current
INSULATION RESISTANCE: 5000 megohms minimum
DIELECTRIC WITHSTANDING VOLTAGE: 1000 VAC minimum

ENVIRONMENTAL PROPERTIES

TEMPERATURE RATING: -55°C TO 125°C



For grounding straps, see page 365



Ordering Information

NUMBER OF CONTACTS	BASIC CONNECTOR W/THRU HOLES	CATALOG NUMBER BY MOUNTING STYLE			DIMENSIONS			
		ROUND STANDOFF 4-40 THREAD	FLUSH INSERT 4-40 THREAD	LATCH W/STANDOFF & 4-40 THREADED INSERT	A	B	C	D
9	H4R09RA29A	H4R09RA29B	H4R09RA29C	H4R09RA29J	1.224	.984	.646	.624
15	H4R15RA29A	H4R15RA29B	H4R15RA29C	H4R15RA29J	1.552	1.312	.974	.952
25	H4R25RA29A	H4R25RA29B	H4R25RA29C	H4R25RA29J	2.092	1.852	1.514	1.492
37	H4R37RA29A	H4R37RA29B	H4R37RA29C	H4R37RA29J	2.740	2.500	2.162	2.140

Add suffix S for metal snap latches and P for plastic. See page 416 for descriptions. Not available on basic connector.