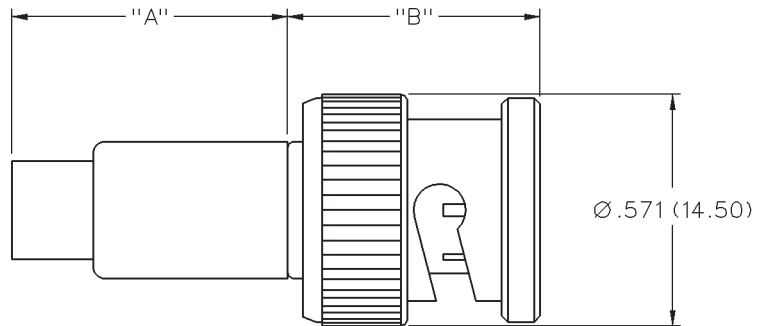


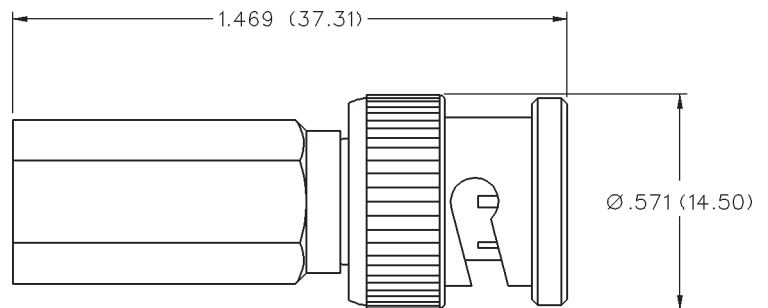
Straight Crimp Type Plug - Push-On Body - 2 Piece



PART NO.	CABLE TYPE	CABLE CENTER CONDUCTOR	"A"	"B"	WIRE GAUGE	WIRE DECIMAL	JACKET O.D.
CP-88-1	RG-58	SOLID	.684 (17.37)	.605 (15.37)	22-18	.025 (.064)-.043 (1.09)	.195 (4.95)-.210 (5.33)
CP-88-2	RG-59, 62, RG-6 PLENUM, GENESIS 5352	SOLID	.673 (17.09)	.605 (15.37)	22-18	.025 (.064)-.043 (1.09)	.220(5.59)-.250 (6.35)
CP-88-3	BELDEN 8281, RG-6 QUAD	SOLID	.819 (20.80)	.540 (13.72)	22-18	.025 (.064)-.043 (1.09)	.272 (6.91)-.307 (7.80)
CP-88-4	RG-MATV-59	SOLID	.677 (17.20)	.605 (15.37)	22-18	.025 (.064)-.043 (1.09)	.242 (6.15)-.251 (6.38)
CP-88-5	RG-6	SOLID	.684 (17.37)	.605 (15.37)	22-18	.025 (.064)-.043 (1.09)	.265 (6.73)-.280 (7.11)
CP-88-10	RG-59, 62 PLENUM	SOLID	.680 (17.27)	.605 (15.37)	22-18	.025 (.064)-.043 (1.09)	.195 (4.95)-.210 (5.33)
CP-SW88-2	RG-59, 62, RG-6TFE	STRANDED	.673 (17.09)	.605 (15.37)	22-18	.025 (.064)-.043 (1.09)	.220 (5.59)-.250 (6.35)
CP-SW88-10	RG-59AU PLENUM	STRANDED	.673 (17.09)	.605 (15.37)	22-18	.025 (.064)-.043 (1.09)	.195 (4.95)-.210 (5.33)

Assembly instructions page 250.

Straight Twist-On Plug - Field Installable - 1 Piece



PART NO.	CABLE TYPE	CABLE CENTER CONDUCTOR	WIRE GAUGE	WIRE DECIMAL	JACKET O.D.
CPFI-UG88-1	RG-58	SOLID	22-18	.025 (.064)-.043 (1.09)	.185 (4.70)-.205 (5.21)
CPFI-UG88-2	RG-59, 62	SOLID	22-18	.025 (.064)-.043 (1.09)	.220 (5.59)-.250 (6.35)
CPFI-UG88-3	BELDEN 8281, RG-6 QUAD	SOLID	22-18	.025 (.064)-.043 (1.09)	.272 (6.91)-.307 (7.80)
CPFI-UG88-4	RG-MATV-59	SOLID	22-18	.025 (.064)-.043 (1.09)	.220 (5.59)-.250 (6.35)
CPFI-UG88-5	RG-6 PLENUM	SOLID	22-18	.025 (.064)-.043 (1.09)	.270 (6.86)-.280 (7.11)
CPFI-UG88-10	RG-59 PLENUM, 62 PLENUM	SOLID	22-18	.025 (.064)-.043 (1.09)	.185 (4.70)-.205 (5.21)

Assembly instructions page 251.