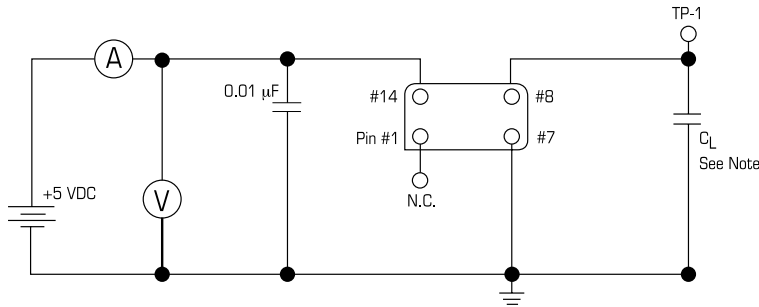


HCMOS CLOCK OSCILLATORS (FULL & HALF SIZE)

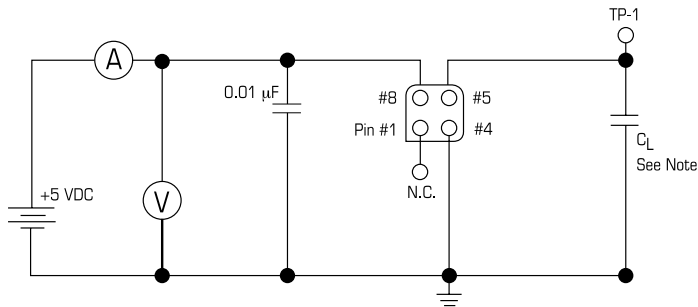
**MODEL CM
5.0VDC**

Model	CM	CM
Frequency Range	10kHz ~ 69.999MHz	70MHz ~ 160.0MHz
Frequency Stability	100ppm Standard, Optional Tolerances Available	100ppm Standard, Optional Tolerances Available
Operating Temperature Range	0°C ~+70°C Extended Temperature Ranges Available	0°C ~+70°C Extended Temperature Ranges Available
Storage Temperature Range	-55°C ~+125°C	-55°C ~+125°C
Current Consumption	10.0KHz ~ 23.999MHz: 15mA Max. 24.000MHz ~ 69.999MHz: 30mA Max.	70.0MHz ~ 160.00MHz: 40mA Max.
Supply Voltage	+5 VDC ± 10%	+5 VDC ± 10%
Symmetry	60/40 @ 50% Vcc, Optional Tolerances Available	60/40 @ 50% Vcc, Optional Tolerances Available
Rise & Fall Time (Tr & Tf)	6 nSec Max	3 nSec Max
Logic "1"	4.5 VDC Min	4.5 VDC Min
Logic "0"	0.5 VDC Max	0.5 VDC Max
Output Load	15pF Standard, Higher Loads Available	15pF Standard, Higher Loads Available
Aging	< 5ppm per year	< 5ppm per year



FULL SIZE HCMOS	
PINS	CONNECTIONS
1	N.C.
7	GND
8	OUTPUT
14	+5 VDC ±10%

TEST CIRCUIT FULL SIZE



HALF SIZE HCMOS	
PINS	CONNECTIONS
1	N.C.
4	GND
5	OUTPUT
8	+5 VDC ±10%

TEST CIRCUIT HALF SIZE

NOTE: C_L is 15pF typical and up to 50pF dependent on customer specifications including probe and test jig. Oscillators in test circuits are top view.

