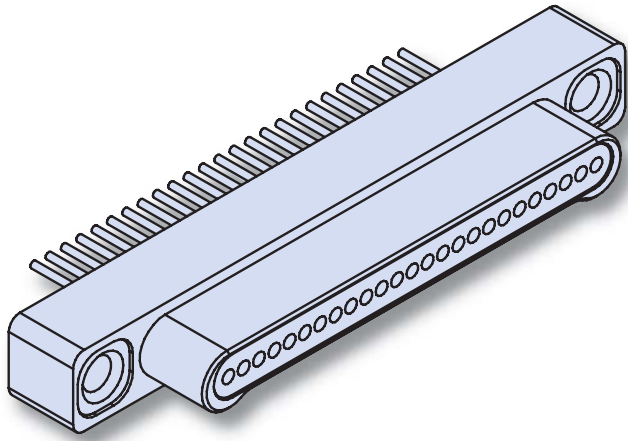




Series 89 Nanominiature Connectors Single Row Pigtail Assemblies, Uninsulated Wire 890-003 and -004



Glenair's Pigtail Nano Connectors feature gold alloy NanoPin contacts. Contacts are precision-crimped to insulated, stranded wire. These nanominiature connectors offer premium performance and reliability for demanding applications. Contact spacing is .025 inches. 1 amp current rating, DWV rating 300 volts AC. Wire gages #30 and #32 AWG.

NanoPin Contact System assures premium performance in demanding environments. The gold/platinum alloy contacts will stand up to years of exposure without corrosion.

Typical Applications include UAV's, satellites, missile systems and geophysical instruments.

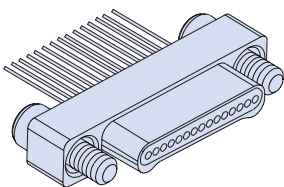
HOW TO ORDER NANOMINIATURE CONNECTORS WITH UNINSULATED WIRE

Series	Insert Arrangement/ Contact Type	Shell Material and Finish	Wire Gage	Wire Type	Wire Length	Hardware
890-003 Plug, Pin Contacts, Single Row, Nanominiature	Plugs (890-003)	A1 Aluminum Shell, Cadmium Plating A2 Aluminum Shell, Electroless Nickel Plating	0 #30 AWG	Single Strand Copper Wire, Uninsulated, with Gold Plating	.125 .250 .375 .500 Wire Length in Inches	J Jackscrew, #0-80 T Threaded Inserts, #0-80 Female
	9P					
	15P					
	21P					
	25P					
890-004 Receptacle, Socket Contacts, Single Row, Nanominiature	Receptacles (890-004)	T Titanium Shell, Unplated S Stainless Steel Shell, Passivated	2 #32 AWG			
	31P					
	37P					
	51P					
	9S					
	15S					
	21S					
	25S					
31S						
37S						
51S						

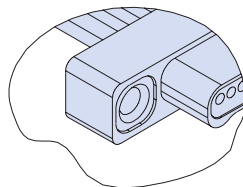
Sample Part Number

890-003	- 31P	A2	- 0	D3	- .250	J
----------------	--------------	-----------	------------	-----------	---------------	----------

PLUG (PIN) CONNECTOR

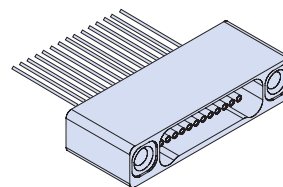


"J" Jackscrew Option

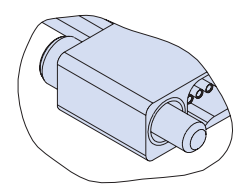


"T" Threaded Insert Option

RECEPTACLE (SOCKET) CONNECTOR



"T" Threaded Insert Option



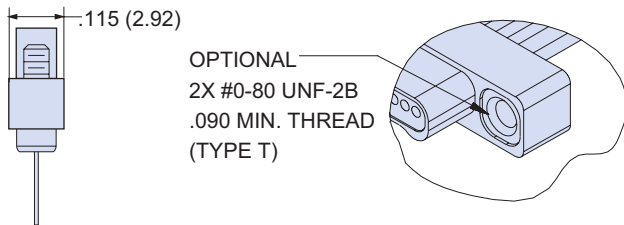
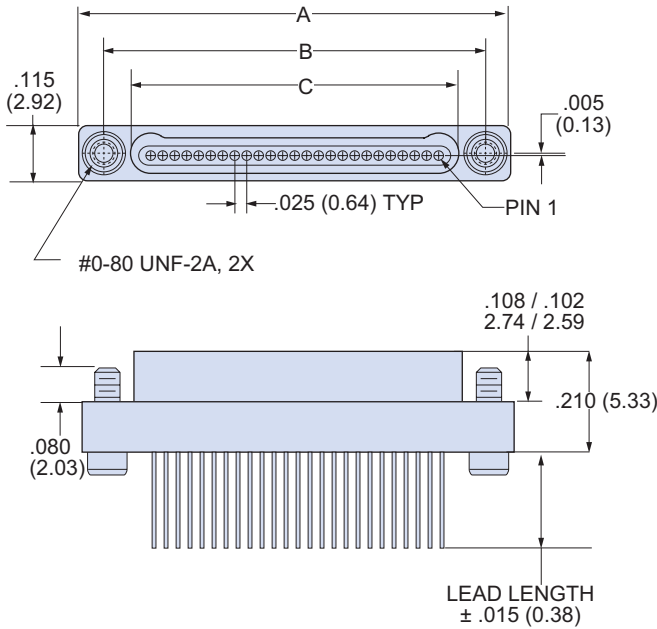
"J" Jackscrew Option

Series 89 Nanominiature Connectors Single Row Pigtail Assemblies, Uninsulated Wire 890-003 and -004

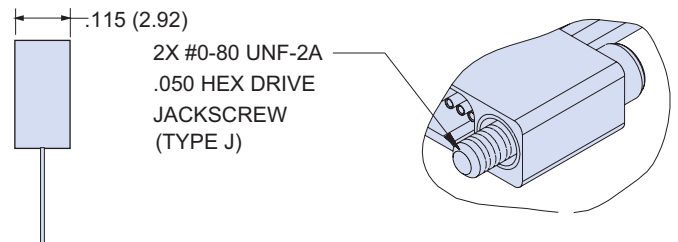
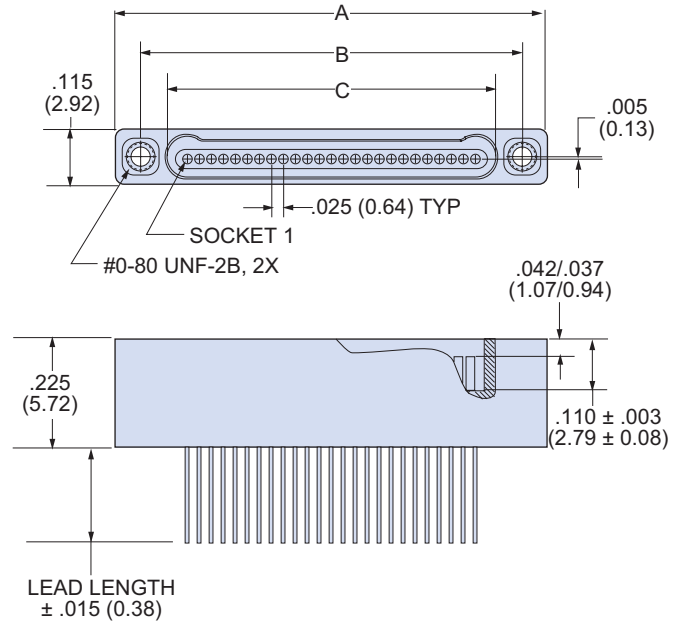


SINGLE ROW NANO PIGTAIL DIMENSIONS

Plug (Pin) Connectors



Receptacle (Socket) Connectors



Layout	A Dimension		B Basic Dimension		C Basic Dimension	
	In.	mm.	In.	mm.	In.	mm.
9P	.500	12.70	.395	10.03	.284	7.21
9S	.500	12.70	.395	10.03	.285	7.24
15P	.650	16.51	.545	13.84	.434	11.02
15S	.650	16.51	.545	13.84	.435	11.05
21P	.800	20.32	.695	17.65	.584	14.83
21S	.800	20.32	.695	17.65	.585	14.86
25P	.900	22.86	.795	20.19	.684	17.37
25S	.900	22.86	.795	20.19	.685	17.40
31P	1.050	26.67	.945	24.00	.834	21.18
31S	1.050	26.67	.945	24.00	.835	21.21
37P	1.200	30.48	1.095	27.81	.984	24.99
37S	1.200	30.48	1.095	27.81	.985	24.02
51P	1.550	39.37	1.445	36.70	1.334	33.88
51S	1.550	39.37	1.445	36.70	1.335	33.91