

T-1³/₄ (5mm) Ultra Bright AlInGaP Orange LED Lamps

- LTL2F3VEK 8degree
- LTL2H3VEK 15degree
- LTL2P3VEK 22degree
- LTL2R3VEK 30degree

Features

- Very high luminous intensity output.
- Low power consumption.
- High efficiency.
- Versatile mounting on P.C. board or panel.
- I.C. compatible/low current requirements.
- Popular T-1 ³/₄ diameter.

Description

The source color devices are made with Aluminum Indium Gallium Phosphide on Gallium Arsenide light emitting diode.

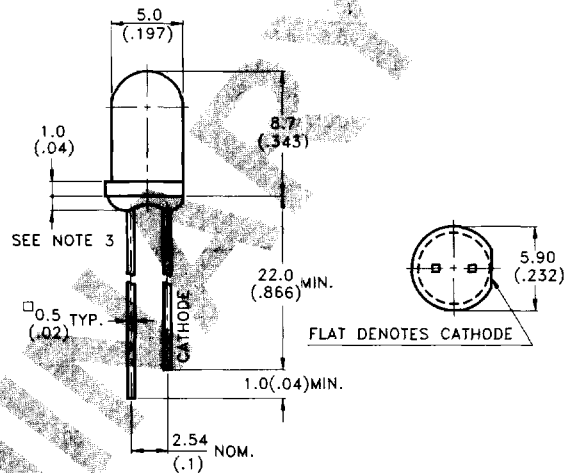
The devices are made with water clear epoxy package, and with 8, 15, 22 and 30 degrees of viewing angle.

Application

Available for outdoor application.

- Message sign.
- Traffic sign.
- Automotive exterior lights.

Package Dimensions



Notes:

1. All dimensions are in millimeters (inches).
2. Tolerance is $\pm 0.25\text{mm}$ (.010") unless otherwise noted.
3. Protruded resin under flange is 1.0mm (.04") max.
4. Lead spacing is measured where the leads emerge from the package.

Devices

Part No. LTL	Lens		Source Color
	Color	Diffusion	
2F3VEK	Water Clear	Non-diffused	AlInGaP Orange
2H3VEK	Water Clear	Non-diffused	AlInGaP Orange
2P3VEK	Water Clear	Non-diffused	AlInGaP Orange
2R3VEK	Water Clear	Non-diffused	AlInGaP Orange

Absolute Maximum Ratings at Ta=25 °C

Parameter	Orange	Unit
Power Dissipation	130	mW
Peak Forward Current (1/10 Duty Cycle, 0.1ms Pulse Width)	160	mA
Continuous Forward Current	50	mA
Reverse Voltage	4	V
Operating Temperature Range	-40 °C to + 100 °C	
Storage Temperature Range	-55 °C to + 100 °C	
Lead Soldering Temperature [1.6mm(0.063")From Body]	260 °C for 5 Seconds	

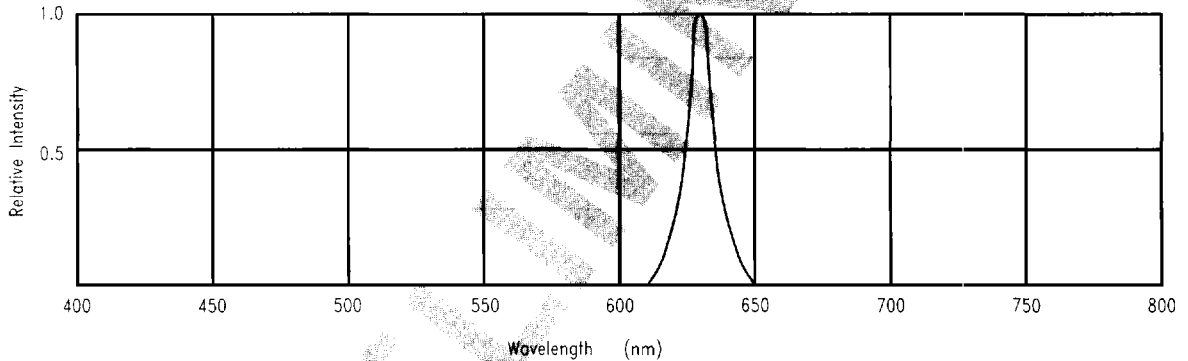


Fig.1 RELATIVE INTENSITY VS. WAVELENGTH

Electrical/Optical Characteristics and Curves at Ta=25 °C

Parameter	Symbol	Part No. LTL	Min.	Typ.	Max.	Unit	Test Condition
Luminous Intensity	Iv	2F3VEK	1800	4800		mcd	If=20mA Note 1 Note 2
		2F3VEK-TU	1800		6400		
		2F3VEK-UV	3200		11200		
		2H3VEK	1000	2600			
		2H3VEK-ST	1000		3600		
		2H3VEK-TU	1800		6400		
		2P3VEK	560	1800			
2P3VEK-RS	560		2000				
2P3VEK-ST	1000		3600				
		2R3VEK	320	1200			
		2R3VEK-QR	320		1120		
		2R3VEK-RS	560		2000		
Viewing Angle	$2\theta_{1/2}$	2F3VEK 2H3VEK 2P3VEK 2R3VEK		8 15 22 30		deg	Note 3 (Fig.6)
Peak Emission Wavelength	λ_P			634		nm	Measurement @ peak (Fig.1)
Dominant Wavelength	λ_d			623		nm	Note 6
Spectral Line Half-Width	$\Delta\lambda$			17		nm	
Forward Voltage	Vf			2.2	2.6	V	If = 20mA
Reverse Current	Ir				100	μ A	Vr = 4V
Capacitance	C			40		PF	Vf=0, f=1MHZ

Notes:

- Luminous intensity is measured with a light sensor and filter combination that approximates the CIE eye-response curve.
- Luminous intensity rank classified products support two ranks.
- $\theta_{1/2}$ is the off-axis angle at which the luminous intensity is half the axial luminous intensity.
- Iv classification code is marked on each packing bag.
- The Iv guarantee should be added $\pm 15\%$.
- The dominant wavelength, λ_d is derived from the CIE Chromaticity Diagram and represents the single wavelength which defines the color of the device.

Typical Electrical/Optical Characteristic Curves (25 °C Ambient Temperature Unless Otherwise Noted)

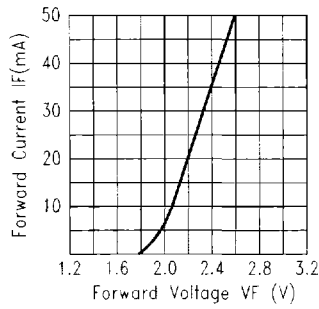


Fig.2 FORWARD CURRENT VS. FORWARD VOLTAGE

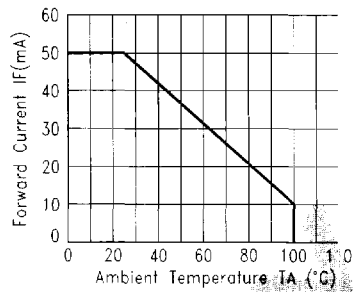


Fig.3 FORWARD CURRENT DERATING CURVE

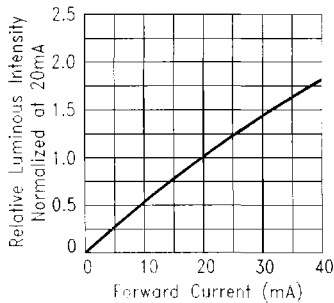


Fig.4 RELATIVE LUMINOUS INTENSITY VS. FORWARD CURRENT

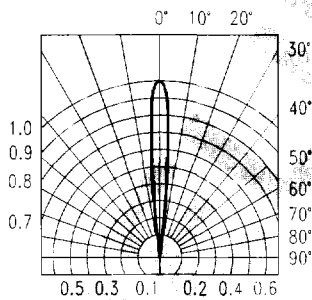


Fig.5-1 SPATIAL DISTRIBUTION

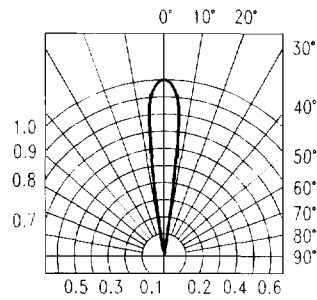


Fig.5-2 SPATIAL DISTRIBUTION

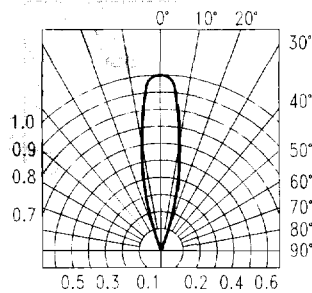


Fig.5-3 SPATIAL DISTRIBUTION

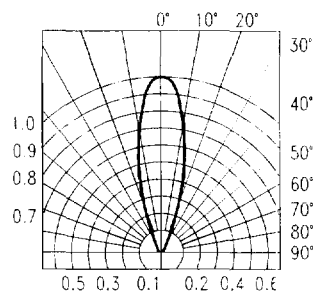


Fig.5-4 SPATIAL DISTRIBUTION

ULTRABRIGHT LAMPS
C-CLUSTER & CHMSL