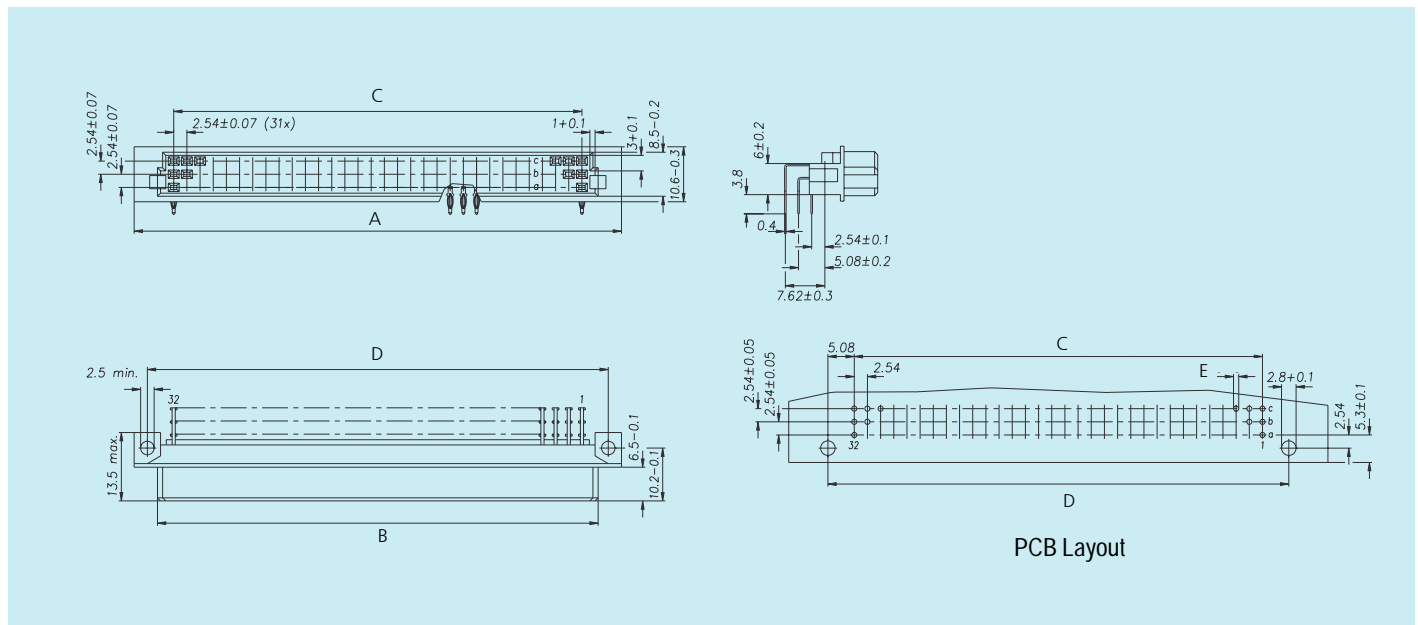


Female Connectors



Termination	Terminal	Plating Class	Shell Style	Contact Loading Pattern	Dimensions					Ordering Code
					A	B	C	D	E	
	Pressfit	DIN 2	R1	96 way (3 x 32) fully loaded	$94,0 \pm 0,2$	$85,0 - 0,2$	78,74	$88,9 \pm 0,1$	$1,0 + 0,09$ $- 0,06$	CDR7R1F96RP1M-DIN2
			R1	64 way (3 x 32) rows a & c	$94,0 \pm 0,2$	$85,0 - 0,2$	78,74	$88,9 \pm 0,1$	$1,0 + 0,09$ $- 0,06$	CDR7R1F64RP1M-004-DIN2
			R2	48 way (3 x 16) fully loaded	$53,36 - 0,2$	$44,4 - 0,2$	38,1	$48,26 \pm 0,1$	$1,0 + 0,09$ $- 0,06$	CDR7R2F48RP1M-DIN2
			R2	32 way (3 x 16) rows a & c	$53,36 - 0,2$	$44,4 - 0,2$	38,1	$48,26 \pm 0,1$	$1,0 + 0,09$ $- 0,06$	CDR7R2F32RP1M-004-DIN2
			R1	96 way (3 x 32) fully loaded	$94,0 \pm 0,2$	$85,0 - 0,2$	78,74	$88,9 \pm 0,1$	$1,0 \pm 0,1$	CDR7R1F96RS2M-DIN2
			R1	64 way (3 x 32) rows a & c	$94,0 \pm 0,2$	$85,0 - 0,2$	78,74	$88,9 \pm 0,1$	$1,0 \pm 0,1$	CDR7R1F64RS2M-004-DIN2
			R2	48 way (3 x 16) fully loaded	$53,36 - 0,2$	$44,4 - 0,2$	38,1	$48,26 \pm 0,1$	$1,0 \pm 0,1$	CDR7R2F48RS2M-DIN2
			R2	32 way (3 x 16) rows a & c	$53,36 - 0,2$	$44,4 - 0,2$	38,1	$48,26 \pm 0,1$	$1,0 \pm 0,1$	CDR7R2F32RS2M-004-DIN2

Pressfit insertion die required.
shell style R1: 884500
shell style R2: 884501

For class 1 or class 3 contact plating and for alternative loading patterns please consult Cannon Sales Department.