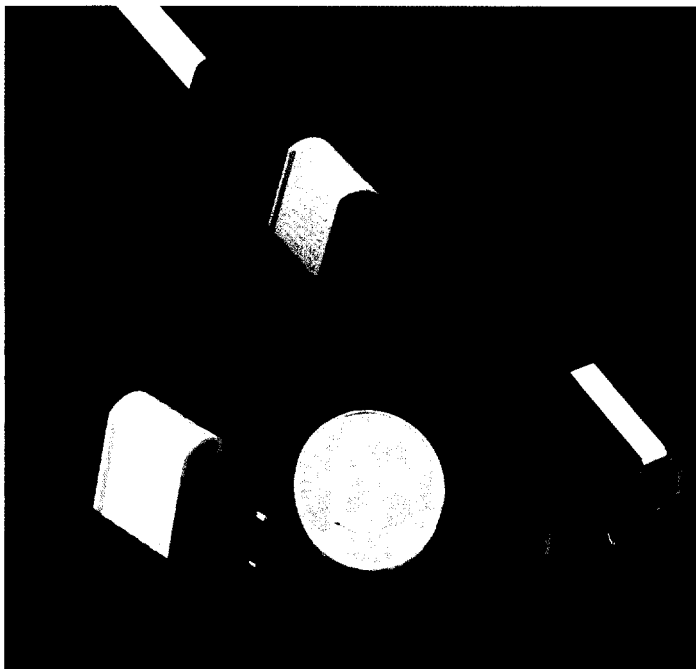


MTP™ Multifiber Single-mode and Multimode Connectors and Adapter



The MTP™ Multifiber Connector provides quick and reliable connection for up to 12 optical fibers in a compact housing. Two MT-style, push-on connectors are mated using a low-profile bulkhead or PC card-mounted adapter. Connection is assured by the spring-action side latch housing – simply push-on and pull-off. The MTP™ incorporates the Conec® MT-style Multifiber Ferrule. Evaluation cords and fan-outs with the MTP™ are available. Private label housing available.

Features

(newly engineered, enhanced features on reverse side)

- No-epoxy housing design
- Terminates ribbon fiber or ribbonized individual fibers
- Designed for multimode and single-mode performance
- Incorporates cable strain-relief
- Keyed for proper insertion
- Compatible with Conec® 4- to 12-fiber single-mode ferrule
- Compatible with Conec® 4- to 12-fiber multimode ferrule
- Single-mode and multimode color-coded housing
- Adapter has spring or screw mount
- High-density connection: 25 mm x 10 mm
- Alignment achieved with precision guide pins

Applications

- Meets IEC Standard 1754-7
- Meets ANSI HIPPI 6400 Standard
- Parallel optical interconnect between PC cards and between patch panels
- High-density interconnection replacing up to 12 single-fiber connectors and sleeves
- Miniature interconnection for O/E modules
- Digital switch interframe connections

Specifications	Single-mode	Multimode
Insertion Loss	0.25 dB Typical (all fibers) 0.75 dB Maximum (all fibers) ¹ <small>¹ As tested per ANSI/EIA-455-171 Method 03</small>	0.35 dB Typical (all fibers) 1.0 dB Maximum (all fibers) ² <small>² Tests conducted with flat, non-contacting connectors</small>
Optical Return Loss	> 55 dB (8° Angle Polish)	High return loss polish procedure available
Operating Temperature	-40° C to +80° C (- 40° F to +176° F)	-40° C to +80° C (- 40° F to +176° F)
Rematability (1000 Rematings)	< 0.2 dB change (per EIA-455-21A)	< 0.2 dB change (per EIA-455-21A)

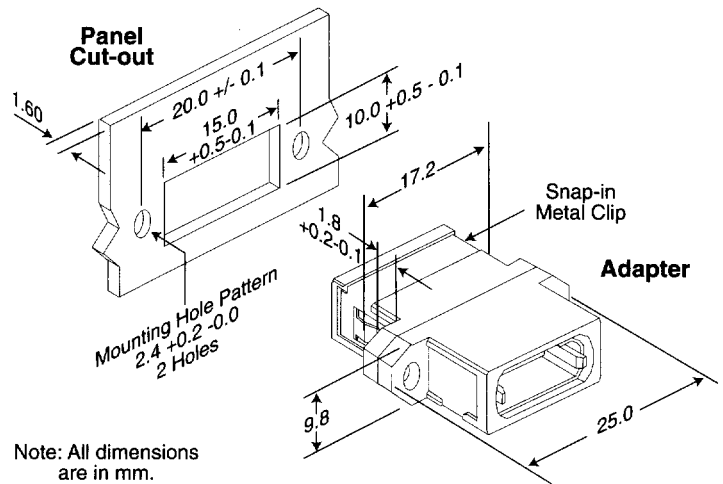
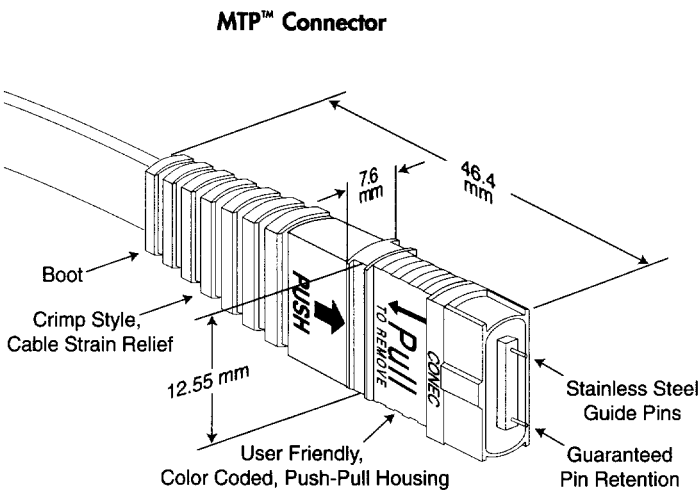
Applications Engineering Support

Call us today at 1-800-769-0944 for assistance in custom fiber size and fiber count requirements. Visit our web site at <http://www.usconec.com>

MTP™ Multifiber Single-mode and Multimode Connectors and Adapter

Ordering Information

MTP Connector Parts	Description	Part Number
Step 1: Select Ferrule	4-Fiber, Multimode, 127 μ m 4-Fiber Single-mode, (Angle polish) 125 μ m 8-Fiber, Multimode, 126 μ m (127 μ m N/A) 8-Fiber, Single-mode, (Angle polish) 125 μ m 12-Fiber, Multimode, 127 μ m 12-Fiber, Single-mode, (Angle polish) 125 μ m	MTF-4MM7 MTFA-4SM5 MTF-8MM6 MTFA-8SM5 MTF-12MM7 MTFA-12SM5
Step 2: Select Housing	Female (No Guide Pins), Multimode Female (No Guide Pins), Single-mode Male, Multimode Male, Single-mode	MTP-012F-MM MTP-012F-SM MTP-012M-MM MTP-012M-SM
Select 3: Select 1 Adapter Per Connection	MTP™ Adapter	MTP-ADPT



ZA-1567

ZA-1568

US Conec reserves the right to improve, enhance, and modify the features and specifications of US Conec products without prior notification.

Conec is a registered trademark of US Conec Ltd.

MTP and USCONEC are trademarks of US Conec Ltd.

All other trademarks are the properties of their respective owners.

© 1998 US Conec Ltd.

All Rights Reserved.

Printed in USA.

USC-18 / June 1999



US Conec Ltd.
915 Tate Boulevard SE
PO Box 2306
Hickory, NC 28603-2306 USA
(828) 323-8883
1-800-769-0944
FAX: (828) 326-8808
<http://www.usconec.com>