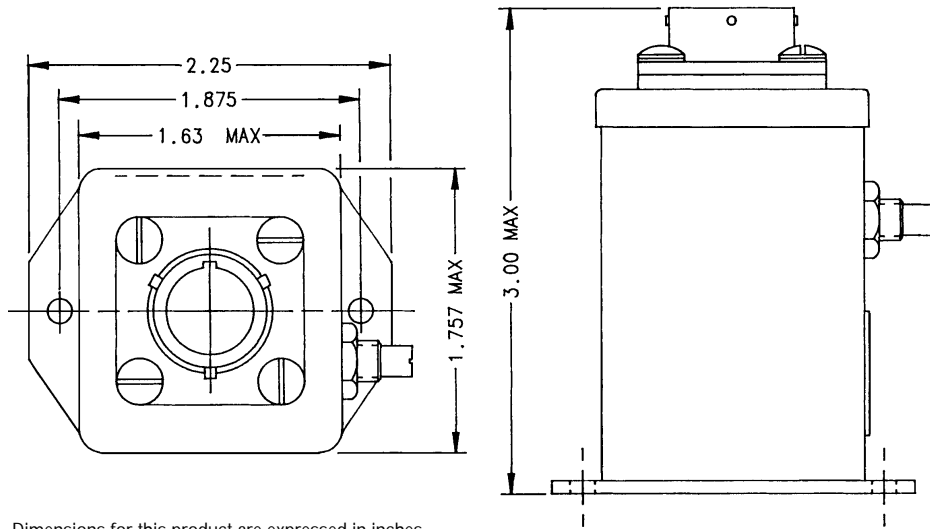


**E-55 4PDT,
2 Amps, 28 VDC**

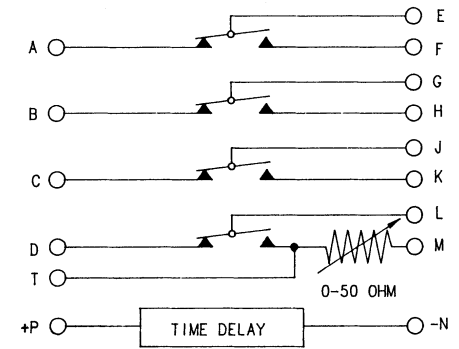
Features:

- 4PDT Main Contacts
- 3 Second Time Delay
- Delays pick-up when power is applied and immediately dropouts 3.5 seconds later
- 28 VDC
- 2 Amps
- High Reliability
- Meets many requirements of MIL-R-6106



Dimensions for this product are expressed in inches. Multiply values by 25.4 for millimeters.

CONTACTOR CONFIGURATION



Notes:

PRODUCT SPECIFICATIONS	
Time Delay	3.0 +1, -0 Seconds
Input Voltage	22-30 VDC
Temperature	-55°C to +85°C
Contact Arrangement	4 PDT
Contact Rating	2 Amps Resistive
Recycle Time	50 Milliseconds
Rated Duty	Continuous
Weight Maximum	8 Oz.

For factory-direct application assistance, contact the HARTMAN product team at (419) 521-9500, Fax (419) 526-2749.

© 2004 by Tyco Electronics Corporation. All Rights Reserved. HARTMAN and TYCO are trademarks.