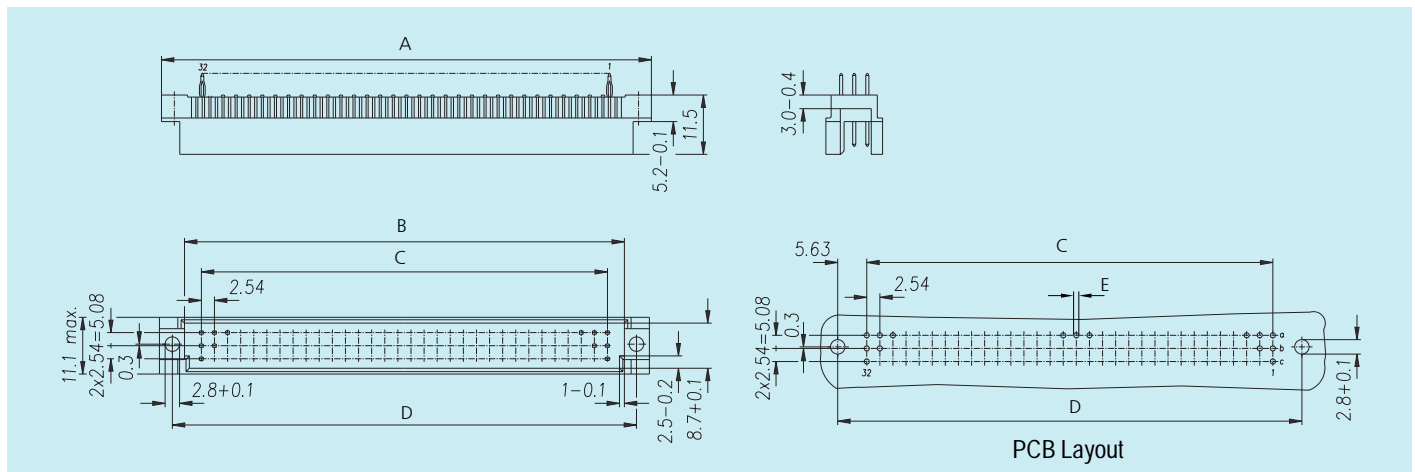


Male Connectors



Termination	Terminal	Plating Class	Shell Style	Contact Loading Pattern	Dimensions					Ordering Code
					A	B	C	D	E	
	Pressfit	DIN 2	R1	96 way (3 x 32) fully loaded	95,0 max	85,2 +0,2	78,74	90 ±0,1	1,0 +0,09 -0,06	CDR7R1M96TP2M-DIN2
			R1	64 way (3 x 32) rows a & c	95,0 max	85,2 +0,2	78,74	90 ±0,1	1,0 +0,09 -0,06	CDR7R1M64TP2M-004-DIN2
			R2	48 way (3 x 16) fully loaded	55,0 max	44,56 +0,2	38,1	50 ±0,1	1,0 +0,09 -0,06	CDR7R2M48TP2M-DIN2
			R2	32 way (3 x 16) rows a & c	55,0 max	44,56 +0,2	38,1	50 ±0,1	1,0 +0,09 -0,06	CDR7R2M32TP2M-004-DIN2
			R1	96 way (3 x 32) fully loaded	95,0 max	85,2 +0,2	78,74	90 ±0,1	1,0 +0,09 -0,06	CDR7R1M96TP5M-DIN2
			R1	64 way (3 x 32) rows a & c	95,0 max	85,2 +0,2	78,74	90 ±0,1	1,0 +0,09 -0,06	CDR7R1M64TP5M-004-DIN2
			R2	48 way (3 x 16) fully loaded	55,0 max	44,56 +0,2	38,1	50 ±0,1	1,0 +0,09 -0,06	CDR7R2M48TP5M-DIN2
			R2	32 way (3 x 16) rows a & c	55,0 max	44,56 +0,2	38,1	50 ±0,1	1,0 +0,09 -0,06	CDR7R2M32TP5M-004-DIN2
	Solder	DIN2	R1	96 way (3 x 32) fully loaded	95,0 max	85,2 +0,2	78,74	90 ±0,1	1,0 ±0,1	CDR7R1M96TS4M-DIN2
			R1	64 way (3 x 32) rows a & c	95,0 max	85,2 +0,2	78,74	90 ±0,1	1,0 ±0,1	CDR7R1M64TS4M-004-DIN2
			R2	48 way (3 x 16) fully loaded	55,0 max	44,56 +0,2	38,1	50 ±0,1	1,0 ±0,1	CDR7R2M48TS4M-DIN2
			R2	32 way (3 x 16) rows a & c	55,0 max	44,56 +0,2	38,1	50 ±0,1	1,0 ±0,1	CDR7R2M32TS4M-004-DIN2
			R1	96 way (3 x 32) fully loaded	95,0 max	85,2 +0,2	78,74	90 ±0,1	1,0 ±0,1	CDR7R1M96TS8M-DIN2
			R1	64 way (3 x 32) rows a & c	95,0 max	85,2 +0,2	78,74	90 ±0,1	1,0 ±0,1	CDR7R1M64TS8M-004-DIN2
			R2	48 way (3 x 16) fully loaded	55,0 max	44,56 +0,2	38,1	50 ±0,1	1,0 ±0,1	CDR7R2M48TS8M-DIN2
			R2	32 way (3 x 16) rows a & c	55,0 max	44,56 +0,2	38,1	50 ±0,1	1,0 ±0,1	CDR7R2M32TS8M-004-DIN2

Pressfit insertion die required.
 shell style R1: 884525
 shell style R2: 884526

For class 1 or class 3 contact plating and for alternative loading patterns please consult Cannon Sales Department.

17mm wirewrap tails also available.