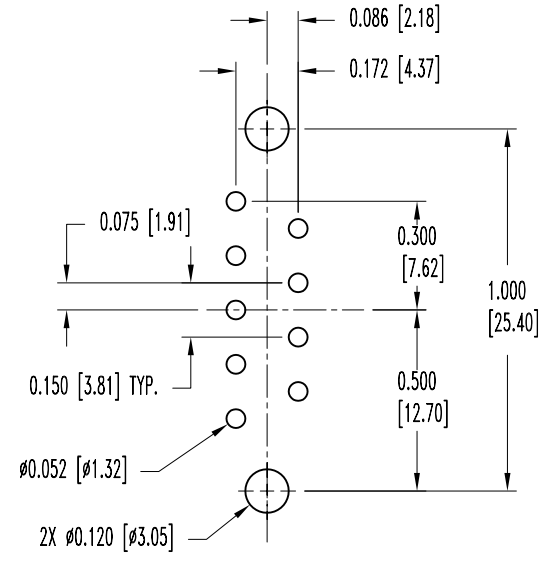
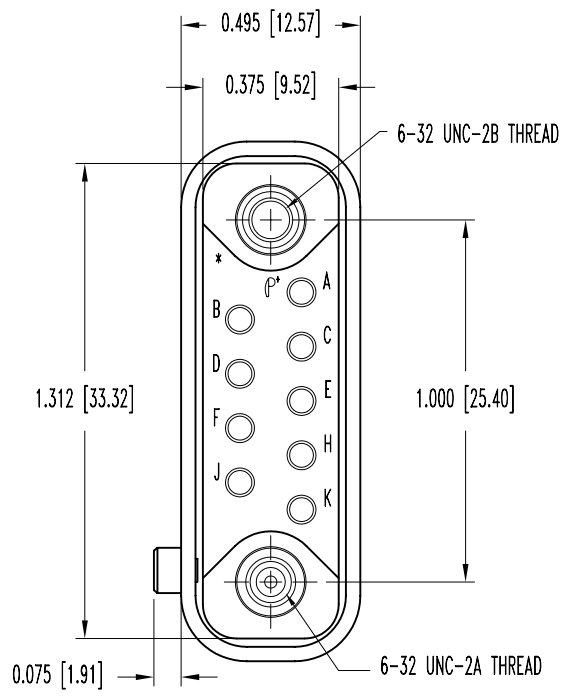
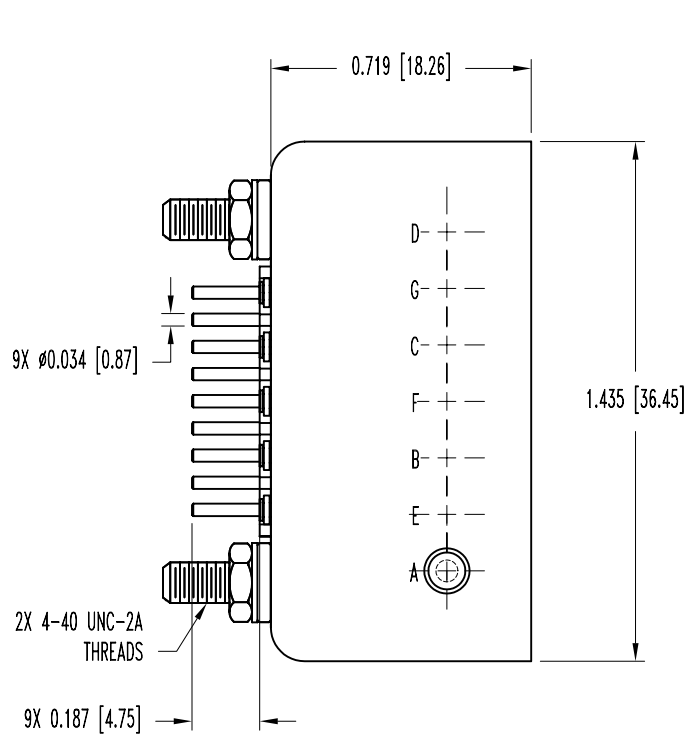


SK8257

POSITRONIC INDUSTRIES BELIEVES THE DATA ON THIS DRAWING TO BE RELIABLE. SINCE THE TECHNICAL INFORMATION IS GIVEN FREE OF CHARGE, THE USER EMPLOYS SUCH INFORMATION AT HIS OWN DISCRETION AND RISK. POSITRONIC INDUSTRIES ASSUMES NO RESPONSIBILITY FOR RESULTS OBTAINED OR DAMAGES INCURRED FROM USE OF SUCH INFORMATION IN WHOLE OR IN PART.

DATE	REV	REVISION RECORD	APP	DR	CK
1-3-07	NC	ECO 27255		YK	



CONTACT HOLE PATTERN

- NOTES:
- MATERIALS AND FINISHES:
 INSULATOR: GLASS FILLED DAP PER ASTM-D-5948 TYPE SDG-F, COLOR GREY.
 CONTACTS: COPPER ALLOY, GOLD FLASH OVER NICKEL.
 JACKSCREWS: STAINLESS STEEL, PASSIVATED.
 HEX NUTS: BRASS, ZINC PLATE WITH CHROMATE SEAL.
 LOCKWASHERS: BRONZE, ZINC PLATE WITH CHROMATE SEAL.
 FLAT WASHERS: NYLON.
 SHELL: ALUMINUM, BLACK ANODIZE.
 POLARIZING PIN: STAINLESS STEEL, PASSIVATED.
 - ELECTRICAL CHARACTERISTICS:
 CONTACT CURRENT RATING: 7.5 AMPS MAXIMUM.
 INITIAL CONTACT RESISTANCE: 0.003 OHMS MAXIMUM.
 INSULATION RESISTANCE: 5G OHMS MINIMUM.
 - WORKING TEMPERATURE: -55°C TO 125°C.
 - DIMENSIONS ARE IN INCHES [MILLIMETERS].

		POSITRONIC INDUSTRIES INC. www.connectpositronic.com		
		DECIMAL TOL. ± 0.015 [0.38]	SCALE N.T.S.	DRAWN BY YK
ANGULAR TOL. $\pm 5^\circ$		TITLE GAP9MDS6TPA0B		
DATE 1-3-07		DRAWING NUMBER SK8257		REV. NC