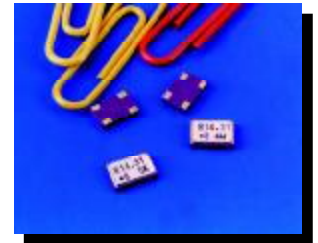


- **FEATURES**
 - ULTRA SMALL PACKAGE
 - EXCELLENT FOR HIGH DENSITY PACKAGING
 - SUITABLE FOR REFLOW SOLDERING
- **SPECIFICATIONS**

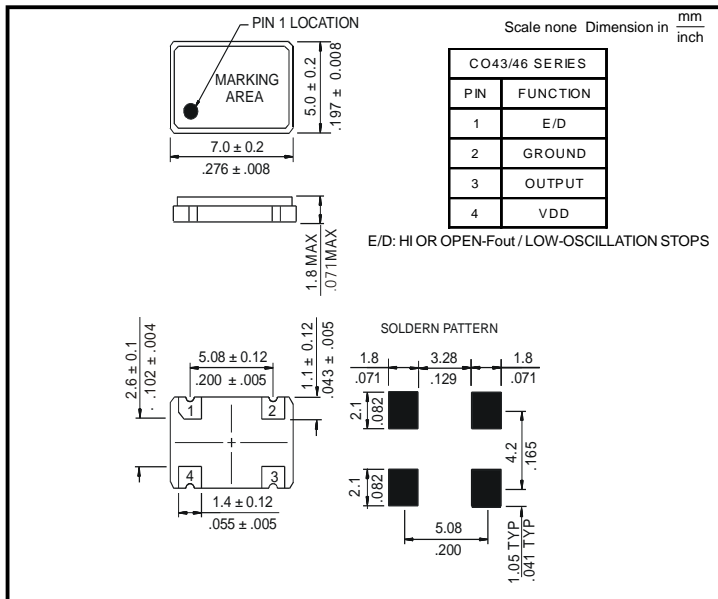
SERIES CO43 AND 46



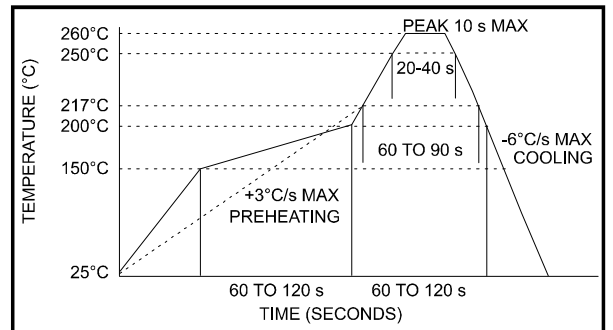
| SERIES | | CO43 | CO46 |
|----------------------------|---|---|--|
| PARAMETER | | | |
| FREQUENCY RANGE | | 1.000 MHz TO 50.000 MHz | 50.000 MHz TO 156.250 MHz |
| FREQUENCY STABILITY † | | ±100 PPM ±50 PPM ±25 PPM * ±20 PPM * | |
| TEMPERATURE RANGE | OPERATING | -10°C TO +70°C | |
| | EXTENDED | -40°C TO +85°C | |
| | STORAGE | -55°C TO +125°C | |
| INPUT | VOLTAGE | +3.3 VDC ±10% | |
| | CURRENT, MAX | 25 mA MAX | 45 mA MAX |
| OUTPUT | LOAD | 5 TTL MAX OR 20 pF CMOS | 5 TTL MAX OR 15 pF CMOS |
| | SYMMETRY | NORMAL: 40% TO 60% TIGHT: 45% TO 55% | |
| | LEVEL | LOGIC "0": 0.4 VDC MAX LOGIC "1": 2.8 VDC MIN | LOGIC "0": 0.5 VDC MAX LOGIC "1": 2.8 VDC MIN |
| | RISE/FALL TIME (20% to 80%) | 1.00 MHz TO 10.00 MHz: 5 ns 10.10 MHz TO 30.00 MHz: 4 ns 30.10 MHz TO 50.00 MHz: 3 ns 50.10 MHz TO 80.00 MHz: 2.5 ns 80.10 MHz TO 156.250 MHz: 2 ns | |
| | | 1.0 ps RMS (1σ), 12kHz < Fj < 20MHz | |
| JITTER | 1.0 ps RMS (1σ), 12kHz < Fj < 20MHz | | |
| ENABLE/DISABLE FUNCTION | PIN 1: HIGH (+2.2 VDC MIN) PIN 3: ENABLED PIN 1: LOW (+0.8 VDC MAX) PIN 3: DISABLED (HIGH IMPEDANCE) | | |

† INCLUSIVE OF 25°C TOLERANCE, OPERATING TEMPERATURE RANGE, VOLTAGE OR LOAD CHANGES, AGING, SHOCK AND VIBRATION
 * STABILITY OVER TEMPERATURE ONLY AT -40°C TO +85°C

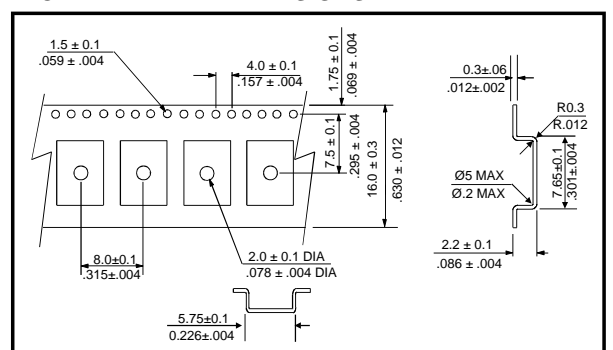
● OUTLINE DRAWING



● REFLOW SOLDERING PROFILE



● CARRIER TAPE DIMENSIONS



● PACKAGING

254 mm REEL DIAMETER, 16mm TAPE WIDTH, 8mm PITCH
 QUANTITY: 1000 PIECES PER REEL

● PART NUMBERING SYSTEM

| SERIES | FREQUENCY STABILITY | FREQUENCY | EXTENDED TEMPERATURE | TIGHT SYMMETRY | TAPE AND REEL |
|--------|---------------------|-----------|-------------------------------|---------------------------|---------------|
| CO43 | 10 ±100 PPM | IN MHz | EXT EXTENDED (-40°C TO +85°C) | T TIGHT SYMMETRY (45-55%) | TR |
| CO46 | 05 ±50 PPM | | | | |
| | 025 ±25 PPM | | | | |
| | 02 ±20 PPM | | | | |

EXAMPLE: CO4305-32.000-TR, CO4610-50.000-T-TR