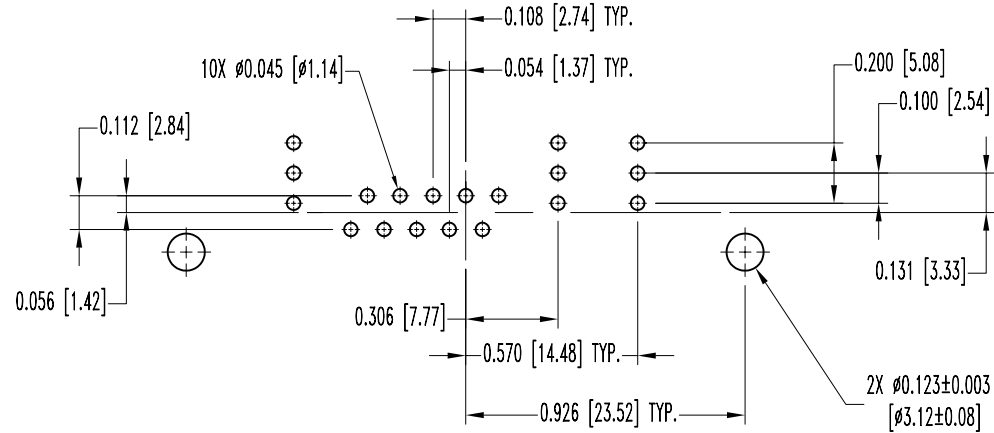
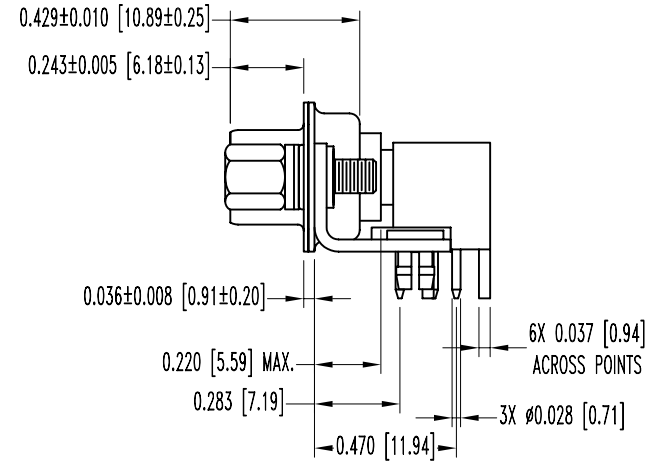
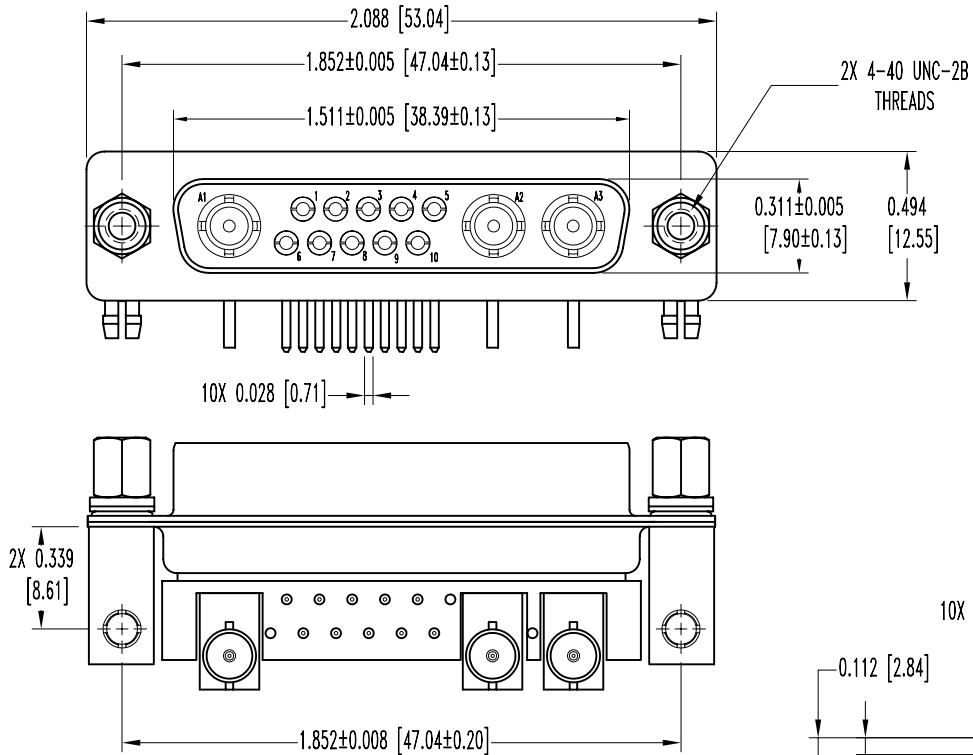


POSITRONIC INDUSTRIES BELIEVES THE DATA ON THIS DRAWING TO BE RELIABLE. SINCE THE TECHNICAL INFORMATION IS GIVEN FREE OF CHARGE, THE USER EMPLOYS SUCH INFORMATION AT HIS OWN DISCRETION AND RISK. POSITRONIC INDUSTRIES ASSUMES NO RESPONSIBILITY FOR RESULTS OBTAINED OR DAMAGES INCURRED FROM USE OF SUCH INFORMATION IN WHOLE OR IN PART.

DATE	REV	REVISION RECORD	APP	DR	CK
12-20	06	ECO 27213		YK	



CONTACT HOLE PATTERN

- NOTES:
- MATERIALS AND FINISHES:
    - INSULATOR: GLASS FILLED POLYESTER PER MIL-M-24519 UL 94V-0, COLOR: BLUE.
    - CONTACTS: COPPER ALLOY WITH PTFE TEFLON INSULATOR.
    - PLATING: SIGNAL CONTACT: 0.0000030 [0.75µ] GOLD OVER NICKEL.
    - CONTACT BODY: GOLD FLASH OVER NICKEL.
    - SHELLS: STEEL, TIN PLATE.
    - MOUNTING BRACKETS: BRASS, TIN PLATE.
    - JACKSCREWS: STEEL, TIN PLATE.
    - RIVETS: BRASS, TIN PLATE.
    - PUSH-ON FASTNERS: BERYLLIUM COPPER, TIN PLATE.
    - WASHERS: BRASS, TIN PLATE.
  - ELECTRICAL CHARACTERISTICS:
    - INITIAL CONTACT RESISTANCE: 0.008 OHMS MAXIMUM.
    - NOMINAL IMPEDANCE: 50 OHMS.
    - INSERTION LOSS: -0.46 dB AT 1 GHz  
-1.5 dB AT 2 GHz
    - VSWR: 1.15 AVERAGE AT 1 GHz  
1.56 AVERAGE AT 2 GHz

- INSULATOR RESISTANCE: 5 G OHMS.
- WORKING VOLTAGE: 300 V r.m.s.
- 3. TEMPERATURE RANGE: -55°C TO +125°C.
- 4. CONNECTORS ARE ROHS COMPLIANT PER ROHS DIRECTIVE 2002/95/EC OF 27 JAN 2003.
- 5. DIMENSIONS ARE IN INCHES [MILLIMETERS].

	<b>POSITRONIC INDUSTRIES INC.</b> www.connectpositronic.com	
	DECIMAL TOL. ± 0.015 [0.38]	TITLE CBD SERIES
ANGULAR TOL. ± 5°	DATE 12-20-06	DRAWING NUMBER SK8240
SCALE N.T.S.	DRAWN BY YK	REV. NC
TITLED CBD13W3F85R7NT2X/AA		