

# Coaxial Low Noise Amplifier

# ZQL-2700MLNW+ ZQL-2700MLNW

50Ω 2200 to 2700 MHz

## Features

- very low noise, 1.5 dB max.
- high IP3, +38 dBm typ.
- rugged, shielded case

## Applications

- MMDS
- communication systems



CASE STYLE: CW686

Connectors	Model	Price	Qty.
SMA	ZQL-2700MLNW(+)	\$281.95 ea.	(1-9)

**+ RoHS compliant in accordance with EU Directive (2002/95/EC)**

The +Suffix identifies RoHS Compliance. See our web site for RoHS Compliance methodologies and qualifications.

## Low Noise Amplifier Electrical Specifications

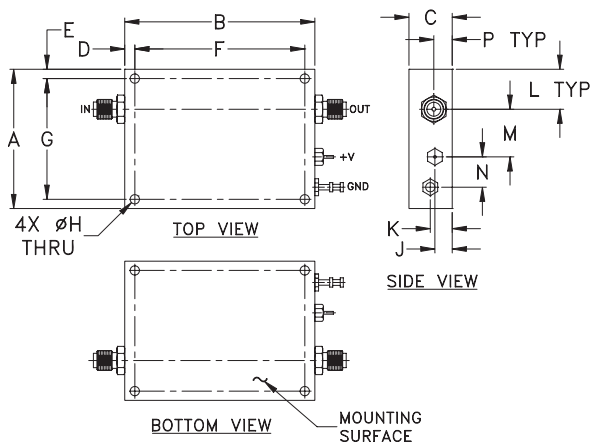
MODEL NO.	FREQUENCY (MHz)		NOISE FIGURE (dB)	GAIN (dB)		MAXIMUM POWER (dBm)		INTERCEPT POINT (dBm)	VSWR (:1) Typ.		DC POWER	
	$f_L$	$f_U$		Min.	Flatness Max.	Output (1 dB Compr.) Typ.	Input (no damage)		IP3 Typ.	In	Out	Volt (V) Nom.
ZQL-2700MLNW(+)	2200	2400	1.3	25	±1.0	+25	+3	+38	1.25	1.15	15	325
	2200	2700	1.5	25	±2.3	+25	+3	+38	1.25	1.15	15	325

Open load is not recommended, potentially can cause damage.  
With no load derate max input power by 20 dB

## Maximum Ratings

Operating Temperature	-40°C to 70°C
Storage Temperature	-55°C to 100°C
DC Voltage	+17V Max.

## Outline Drawing



## Outline Dimensions (inch/mm)

A	B	C	D	E	F	G	H	J	K	L	M	N	P	wt
1.77	2.42	.55	.13	.12	2.165	1.535	.126	.22	.28	.51	.61	.39	0.22	grams
44.96	61.47	13.97	3.30	3.05	55.0	39.0	3.20	5.59	7.11	12.95	15.49	9.91	5.59	71.0



P.O. Box 350166, Brooklyn, New York 11235-0003 (718) 934-4500 Fax (718) 332-4661 For detailed performance specs & shopping online see Mini-Circuits web site

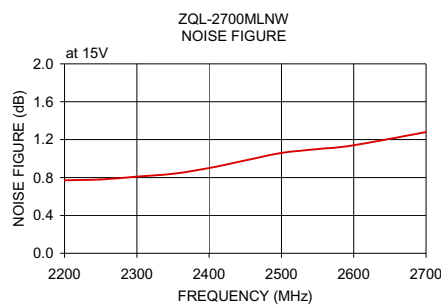
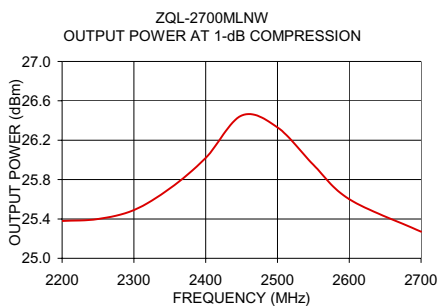
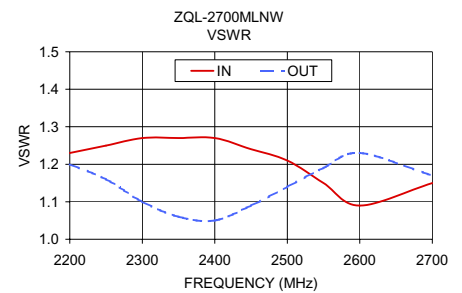
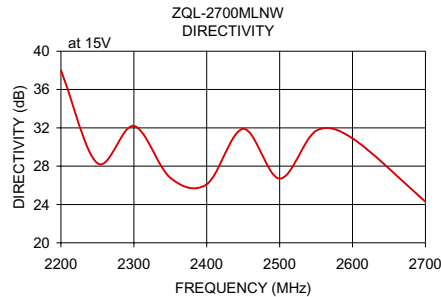
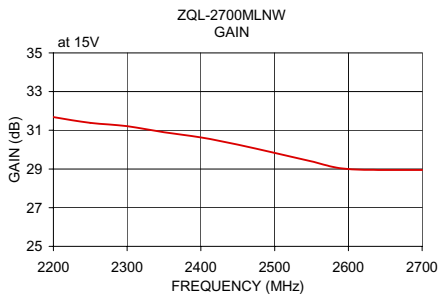
**IPC-122** The Design Engineers Search Engine Provides ACTUAL Data Instantly From MINI-CIRCUITS At: [www.minicircuits.com](http://www.minicircuits.com)

IF/RF MICROWAVE COMPONENTS

# Typical Performance Data/Curves

# ZQL-2700MLNW+ ZQL-2700MLNW

FREQUENCY (MHz)	GAIN (dB)	DIRECTIVITY (dB)	VSWR (:1)		NOISE FIGURE (dB)	POUT at 1 dB COMPR. (dBm)
	15V	15V	IN	OUT	15V	15V
2200.00	31.68	38.00	1.23	1.20	0.77	25.38
2250.00	31.38	28.30	1.25	1.16	0.78	25.40
2300.00	31.21	32.20	1.27	1.10	0.81	25.49
2350.00	30.90	26.80	1.27	1.06	0.84	25.71
2400.00	30.63	26.10	1.27	1.05	0.90	26.02
2450.00	30.26	31.90	1.24	1.09	0.98	26.45
2500.00	29.83	26.70	1.21	1.14	1.06	26.33
2550.00	29.39	31.70	1.15	1.19	1.10	25.95
2600.00	29.00	30.90	1.09	1.23	1.14	25.60
2700.00	28.95	24.30	1.15	1.17	1.28	25.27



P.O. Box 350166, Brooklyn, New York 11235-0003 (718) 934-4500 Fax (718) 332-4661 For detailed performance specs & shopping online see Mini-Circuits web site

The Design Engineers Search Engine Provides ACTUAL Data Instantly From MINI-CIRCUITS At: [www.minicircuits.com](http://www.minicircuits.com)

IF/RF MICROWAVE COMPONENTS