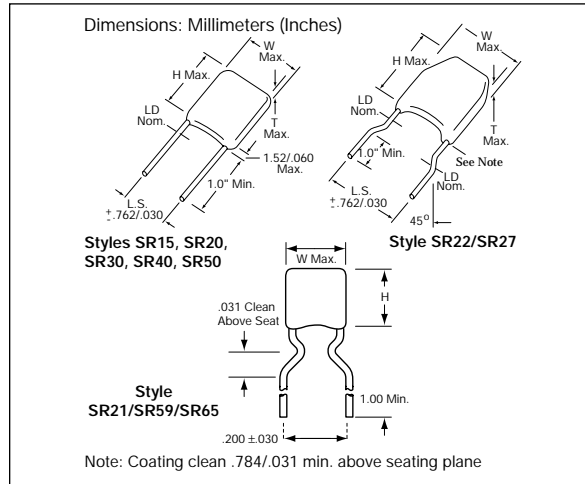


SR Series



HOW TO ORDER

SR21 5 E 104 M A A TR 1

① ② ③ ④ ⑤ ⑥ ⑦ ⑧

① **AVX Style and Size:** SR15, SR20, SR21, SR22, SR27, SR30, SR40, SR50

② **Voltage:** 50V = 5, 100V = 1, 200V = 2

③ **Dielectric:** NP0 = A, X7R = C, Z5U = E

④ **Capacitance Code**

⑤ **Tolerance:** NP0: C = ±.25pF, D = ±.5pF, F = ±1.0% (>50pF only), G = ±2.0% (>25pF only), J = ±5%, K = ±10%
X7R: J = ±5%, K = ±10%, M = ±20%
Z5U: M = ±20%, Z = +80%, -20%

⑥ **Failure Rate:** A = Not Applicable, T = CECC Release

⑦ **Leads:** T = Trimmed Leads, .230"±.030"
A = Long Leads, 1.0" minimum

⑧ **Packaging:** Bulk = Blank
Tape and Reel = TR1 (Standard 1) or TR2 (Standard 2)

Ammo = AP1 (Standard 1) or AP2 (Standard 2)

Marking is as size permits in descending order.

(For code identification, see How to Order section)

- Capacitance Code
- Voltage Code
- Tolerance Code
- Temperature Coefficient Code
- A (AVX)
- 3-Digit EIA Date Code/Lot Code

Standard Packaging

	BULK	TAPE & REEL 14"	AMMO
SR15	1,000	3,500	3,500
SR20	1,000	3,000	3,000
SR21	1,000	3,000	3,000
SR22	1,000	N/A	N/A
SR27	1,000	N/A	N/A
SR30	1,000	2,000	2,000
SR40	500	2,000	2,000
SR50	500	N/A	N/A

Dimensions: millimeters (inches)

AVX Style	SR15	SR20	SR21	SR22	SR27	SR30	SR40	SR50
AVX "Insertable"	SR07	SR29	SR59	N/A	N/A	SR65	SR75	N/A
Width (W)	3.81 (0.150)	5.08 (0.200)	5.08 (0.200)	5.08 (0.200)	6.604 (0.260)	7.62 (0.300)	10.16 (0.400)	12.70 (0.500)
Height (H)	3.81 (0.150)	5.08 (0.200)	5.08 (0.200)	5.08 (0.200)	6.35 (0.250)	7.62 (0.300)	10.16 (0.400)	12.70 (0.500)
Thickness (T)	2.54 (0.100)	3.175 (0.125)	3.175 (0.125)	3.175 (0.125)	4.06 (0.160)	3.81 (0.150)	3.81 (0.150)	5.08 (0.200)
Lead Spacing (L.S.)	2.54 (0.100)	2.54 (0.100)	5.08 (0.200)	6.35 (0.250)	7.62 (0.300)	5.08 (0.200)	5.08 (0.200)	10.16 (0.400)
Lead Diameter (L.D.)	.508 (0.020)	.508 (0.020)	.508 (0.020)	.508 (0.020)	.508 (0.020)	.508 (0.020)	.508 (0.020)	.635 (0.025)

Capacitance Range

Size	Capacitance Range	NP0			X7R			Z5U	
		50V	100V	200V	50V	100V	200V	50V	100V
SR15	Min.	330pF	100pF	1.0pF	470pF	470pF	470pF	.01µF	.01µF
	Max.	1000pF	680pF	220pF	.022µF	.01µF	3300pF	.047µF	.01µF
SR20	Min.	1500pF	1000pF	330pF	.033µF	.015µF	470pF	0.1µF	.047µF
	Max.	8200pF	6800pF	2200pF	0.22µF	0.1µF	.033µF	1.0µF	.22µF
SR21	Min.	1000pF	330pF	1.0pF	1000pF	1000pF	—	.01µF	.01µF
	Max.	8200pF	6800pF	2200pF	0.22µF	0.1µF	—	1.0µF	.22µF
SR22	Min.	1000pF	330pF	1.0pF	1000pF	1000pF	—	.01µF	.01µF
	Max.	8200pF	6800pF	2200pF	0.22µF	0.1µF	—	1.0µF	.22µF
SR27	Min.	1000pF	330pF	1.0pF	1000pF	1000pF	—	.01µF	.01µF
	Max.	6800pF	3900pF	2200pF	0.22µF	0.1µF	—	1.0µF	.22µF
SR30	Min.	.01µF	8200pF	—	.33µF	.15µF	470pF	.68µF	.33µF
	Max.	.033µF	.022µF	—	1.0µF	.47µF	.22µF	3.3µF	1.0µF
SR40	Min.	.039µF	.033µF	—	2.2µF	1.0µF	470pF	4.7µF	1.5µF
	Max.	.068µF	.047µF	—	2.7µF	1.0µF	.39µF	4.7µF	2.2µF
SR50	Min.	.01µF	.01µF	—	1.0µF	.33µF	470pF	1.0µF	1.0µF
	Max.	.1µF	.068µF	—	4.7µF	2.2µF	.39µF	4.7µF	2.2µF

Additional information on this product is available from AVX's catalog or AVX's FAX Service. Call 1-800-879-1613 and request document #033. Visit our website <http://www.avxcorp.com>