

Type SF Dual, Round & Oval, Oil-Filled Motor Run Capacitors

Metallized Polypropylene



Type SF dual rated oil filled motor run capacitors made with self-healing metallized polypropylene film are commonly used in air conditioning, motors and compressor applications. The dual ratings in a single can provide two capacitors - one may be used as a fan capacitor and the other as a compressor or motor run capacitor. Three terminals allow one terminal to act as a common while the other two are connected to the individual capacitors.

The service life objective for the series is 60,000 hours of operating life with a 94% survival rate when operated at full voltage, 60 Hz, and rated ambient temperature. AC capacitors are frequently used at voltages and ambient temperatures other than rated conditions. Service life may be estimated under specific conditions of temperature and voltage by using the curves below.

Highlights

- ◆ Fault current protection up to 10,000 A
- ◆ Low energy consumption — <0.1% DF
- ◆ Self healing
- ◆ UL recognized under E71645
- ◆ Meets EIA Standard EIA-456-A
- ◆ CSA File Number 223507
- ◆ CUL File Number CYWT8
- ◆ 60,000 hours life

Specifications

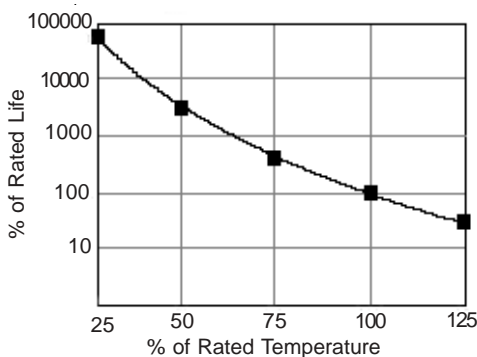
Capacitance Range: 15–5 μF to 80–10 μF

Voltage Range: 370 Vac and 440 Vac

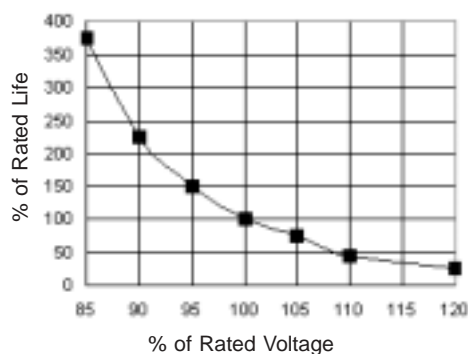
Capacitance Tolerance: $\pm 10\%$ standard ($\pm 6\%$ and $\pm 3\%$ available)

Temperature Range: $-40\text{ }^\circ\text{C}$ to $+70\text{ }^\circ\text{C}$

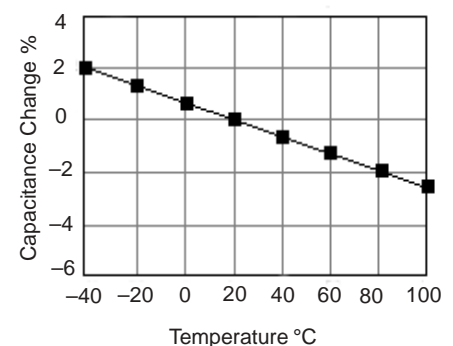
Life vs. Temperature



Life vs. Voltage



Capacitance vs. Temperature



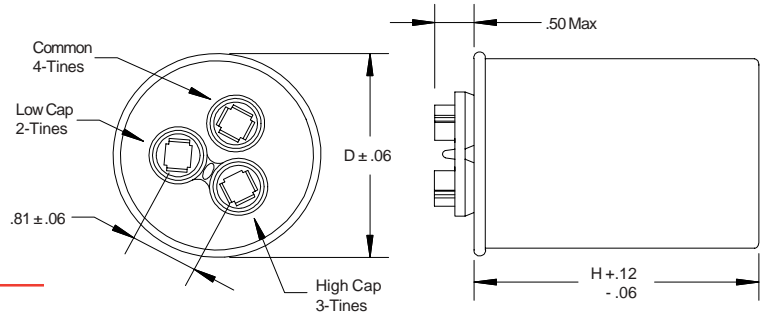
Part Numbering System

SF Series	C Case	37 AC Volt	S Case Material	15-5 Cap	K Tol. $\pm\%$	291 Can Height	B VAR
SF	C = 1 3/4" Oval D = 2.0" Oval	37 = 370 Vac 44 = 440 Vac X = Other	S = Steel T = Aluminum with steel cover A = All Aluminum	15-5 = 15-5 μF 30-20 = 33-20 μF 50-7.5 = 50-7.5 μF	L = $\pm 3\%$ H = $\pm 6\%$ K = $\pm 10\%$ Z = Special	300 = 3.00" 400 = 4.00" 388 = 3 7/8" 475 = 4 3/4"	E = Dual 2,3,4 70 $^\circ\text{C}$ Z = Other
	S = 2.0" Round T = 2 1/2" Round						

Type SF Dual, Round & Oval, Oil-Filled Motor Run Capacitors

Type SF Dual Round

Case Code	D (Inches)	H
P	1.87	see ratings
S	2.12	see ratings
T	2.62	see ratings



Ratings

Cap (μF - μF)	Catalog Part Number	Case Code	H (Inches)
Round 370 Vac 70 °C Case Temperature			
15-5	SFS37S15-5K300E	S	3.00
15-10	SFS37S15-10K300E	S	3.00
20-5	SFS37S20-5K300E	S	3.00
20-7.5	SFS37S20-7.5K300E	S	3.00
20-10	SFS37S20-10K300E	S	3.00
25-5	SFS37S25-5K300E	S	3.00
25-7.5	SFS37S25-7.5K300E	S	3.00
25-10	SFS37S25-10K400E	S	4.00
25-15	SFS37S25-15K400E	S	4.00
30-5	SFS37S30-5K400E	S	4.00
30-7.5	SFS37S30-7.5K400E	S	4.00
30-10	SFS37S30-10K400E	S	4.00
30-15	SFS37S30-15K400E	S	4.00
30-20	SFS37S30-20K400E	S	4.00
35-5	SFS37S35-5K400E	S	4.00
35-7.5	SFS37S35-7.5K400E	S	4.00
35-10	SFS37S35-10K400E	S	4.00
35-15	SFS37S35-15K400E	S	4.00
35-20	SFS37S35-20K400E	S	4.00
40-5	SFS37S40-5K400E	S	4.00
40-7.5	SFS37S40-7.5K400E	S	4.00
40-10	SFS37S40-10K400E	S	4.00
40-15	SFS37S40-15K400E	S	4.00
45-5	SFS37S45-5K475E	S	4.75
45-7.5	SFS37S45-7.5K475E	S	4.75
45-10	SFS37S45-10K475E	S	4.75
45-15	SFS37S45-15K475E	S	4.75
50-5	SFT37S50-5K388E	T	3.88
50-7.5	SFT37S50-7.5K388E	T	3.88
50-10	SFT37S50-10K388E	T	3.88
60-5	SFT37S60-5K488E	T	4.88
60-7.5	SFT37S60-7.5K488E	T	4.88
60-10	SFT37S60-10K488E	T	4.88
70-5	SFT37S70-5K488E	T	4.88
70-7.5	SFT37S70-7.5K488E	T	4.88
70-10	SFT37S70-10K488E	T	4.88
80-5	SFT37S80-5K488E	T	4.88
80-7.5	SFT37S80-7.5K488E	T	4.88
80-10	SFT37S80-10K488E	T	4.88

Hardware and Brackets:

For Capacitor Hardware, refer to the SF Motor Run Data Sheet

Cap (μF - μF)	Catalog Part Number	Case Code	H (Inches)
Round 440 Vac 70 °C Case Temperature			
15-5	SFS44S15-5K300E	S	3.00
15-10	SFS44S15-10K300E	S	3.00
20-5	SFS44S20-5K300E	S	3.00
20-7.5	SFS44S20-7.5K300E	S	3.00
20-10	SFS44S20-10K300E	S	3.00
25-5	SFS44S25-5K300E	S	3.00
25-7.5	SFS44S25-7.5K388E	S	3.88
25-10	SFS44S25-10K388E	S	3.88
25-15	SFS44S25-15K388E	S	3.88
30-5	SFS44S30-5K388E	S	3.88
30-7.5	SFS44S30-7.5K488E	S	4.88
30-10	SFS44S30-10K488E	S	4.88
30-15	SFS44S30-15K488E	S	4.88
30-20	SFS44S30-20K488E	S	4.88
35-5	SFS44S35-5K488E	S	4.88
35-7.5	SFT44S35-7.5K388E	T	3.88
35-10	SFT44S35-10K388E	T	3.88
35-15	SFT44S35-15K388E	T	3.88
35-20	SFT44S35-20K388E	T	3.88
40-5	SFT44S40-5K388E	T	3.88
40-7.5	SFT44S40-7.5K388E	T	3.88
40-10	SFT44S40-10K388E	T	3.88
40-15	SFT44S40-15K488E	T	4.88
45-5	SFT44S45-5K488E	T	4.88
45-7.5	SFT44S45-7.5K488E	T	4.88
45-10	SFT44S45-10K488E	T	4.88
45-15	SFT44S45-15K488E	T	4.88
50-5	SFT44S50-5K488E	T	4.88
50-7.5	SFT44S50-7.5K488E	T	4.88
50-10	SFT44S50-10K488E	T	4.88
60-5	SFT44S60-5K488E	T	4.88
60-7.5	SFT44S60-7.5K488E	T	4.88
60-10	SFT44S60-10K488E	T	4.88