

SPECIFICATIONS

Mechanical

Contact Retention Force: 300 gf Min.
Mating Force: 90 gf Max. Per Contact Pair
Unmating Force: 15 gf Min. Per Contact Pair
Durability: 500 Cycles

Electrical

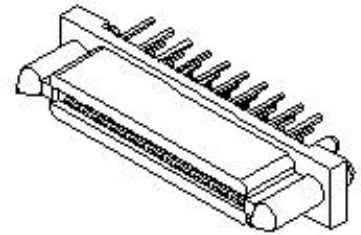
Voltage Rating: 250V
Current Rating: 1.0Amps Max In Temp. Rise.
Contact Resistance: 30mΩ max.
Dielectric Withstanding Voltage: 500V AC
Insulation Resistance: 1000MΩ Min.

Physical

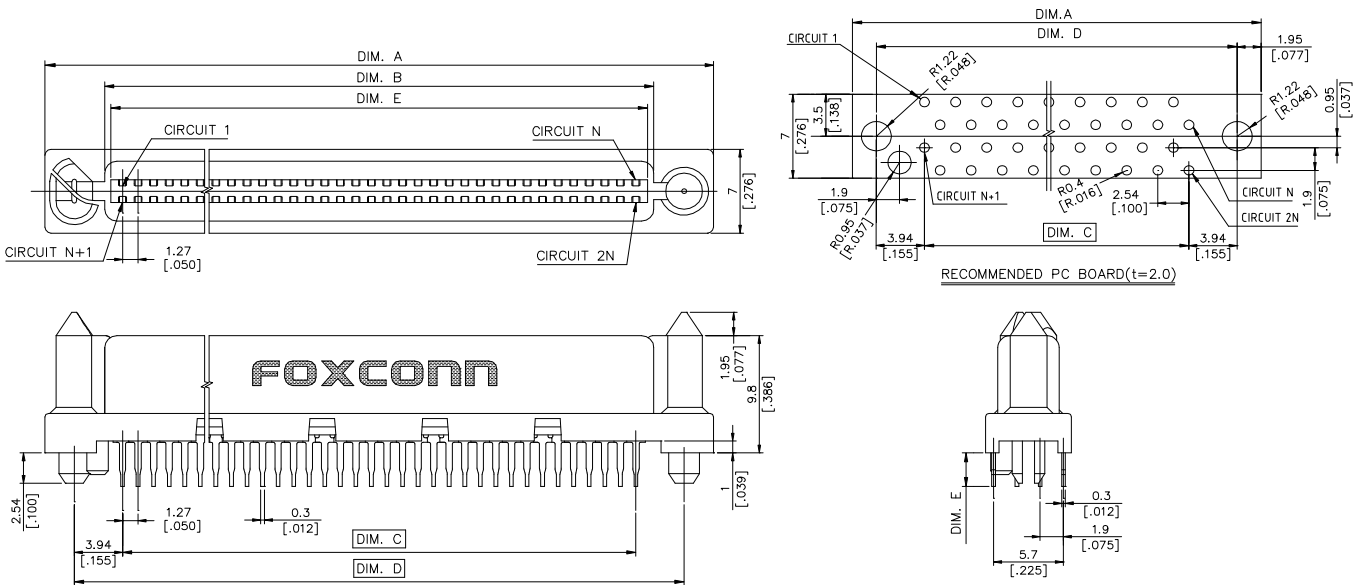
Housing: Thermoplastic, UL 94V-0 rated in Black Color
Contact: Phosphor Bronze
Plating: See "ORDERING INFORMATION"
Operating Temperature: -25°C to +85°C

FBI Connector

LZ25 Series
VERTICAL, T/H Type
Plug
1.27mm [.050"] Pitch



+ DRAWING



ORDERING INFORMATION

PRODUCT NO.: LZ25 * * * - D * 4

- 15: 15/30 POS.
- 20: 20/40 POS.
- 25: 25/50 POS.
- 30: 30/60 POS.
- 34: 34/68 POS.
- 40: 40/80 POS.
- 50: 50/100 POS.

- TAIL LENGTH:
- 1: DIM. L=1.78 mm
 - 2: DIM. L=2.80 mm
 - 6: DIM. L=3.40 mm
 - E: DIM. L=3.94 mm

MATING AREA PLATING:
H: 30u" GOLD PLATING

LZ2550*-D*4	50/100	50	74.90	65.15	62.23	70.10	64.14
LZ2540*-D*4	40/80	40	62.20	52.45	49.53	57.40	51.44
LZ2534*-D*4	34/68	34	54.58	44.83	41.91	49.78	43.82
LZ2530*-D*4	30/60	30	49.50	39.75	36.83	44.70	38.74
LZ2525*-D*4	25/50	25	43.15	33.40	30.48	38.35	32.39
LZ2520*-D*4	20/40	20	36.80	27.05	24.13	32.00	26.04
LZ2515*-D*4	15/30	15	30.45	20.70	17.78	25.65	19.69
P/N	POS.	N	DIM. A	DIM. B	DIM. C	DIM. D	DIM. E