

LED Flat Displays (LD)

From small to large sizes to meet all of your application needs.

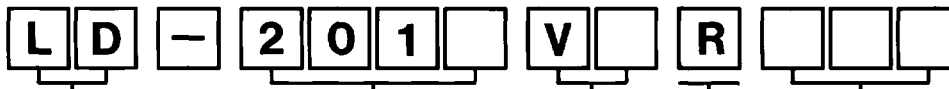
Emitter surface size (mm)	Emitting color	Red	Orange	Yellow	Green	Basic ordering unit	Quantity /package	Quantity /bag	Rank
	Emitting material	GaAsP on GaP			GaP				
λ_p (nm)		650	610	585	563				
5×2.5	LD-105VR	LD-105DU	LD-105DU	LD-105YY	LD-105MG	100	1,000	100	◎
5.6×3.2	LD-201VR	LD-201DU	LD-201DU	LD-201YY	LD-201MG	1,000	1,000	100	◎
5×5	LD-101VR	LD-101DU	LD-101DU	LD-101YY	LD-101MG	2,000	2,000	100	◎
4.5×9.5	LD-001VR	LD-001DU	LD-001DU	LD-001YY	LD-001MG	2,000	2,000	100	◎
6.8×13.8	LD-603VR	LD-603DU	LD-603DU	LD-603YY	LD-603MG	200	200	200	◎
10×10	LD-404VR	LD-404DU	LD-404DU	LD-404YY	LD-404MG	500	500	500	◎
4.5×20	LD-701VR	LD-701DU	LD-701DU	LD-701YY	LD-701MG	200	200	200	◎
1.3×6.5×2Dots	LD-002VB	LD-002DB *3	LD-002DB *3	LD-002YB *3	LD-002MB	300	300	300	○
1.3×6.5×3Dots	LD-003VB	LD-003DB *3	LD-003DB *3	LD-003YB *3	LD-003MB	200	200	200	○
4×6.5×6Dots	LD-006AVRA *3	LD-006ADUA *3	LD-006AYYA *3	LD-006AMGA *3	100	100	100	○	
	LD-006BVRB *3	LD-006BDUB *3	LD-006BYYB *3	LD-006BMGB *3					
1.52×5.08×10Dots	LD-010VW *3	LD-010DW *3	LD-010YW *3	LD-010MW *3	100	100	100	○	
13×18	LD-706VR *3	LD-706DU *3	LD-706YY *3	LD-706MG *3	60	60	60	○	
6.8×28.8	LD-1203LR *2 *3	LD-1203DU *3	LD-1203YY *3	LD-1203MG *3	100	100	100	○	
	LD-1203VR *3								
12×15	LD-605MVW (Green/Red Two-chip light emission) *3				200	200	200	○	

Note : *2 Emitting material : GaAlAs λ_p : 660nm *3 Need a certain lead time for delivery

◎ : Standard products ○ : Semi-standard products

Product Designation

- When ordering, specify the type.
- Check each code against the code tables shown below.
- Fill a space with the next character.



Model

LD	LED Flat Displays
----	-------------------

Type

Emitting Color

V	Red 650nm
D	Orange 610nm
Y	Yellow 585nm
M	Green 563nm

Single color : 1 Letter, Two colors : 2 Letters

Display Color

R	Red Colored Diffused
U	Orange Colored Diffused
Y	Yellow Colored Diffused
G	Green Colored Diffused
W	Milky White

Luminance Rank

Input brightness rank signal display

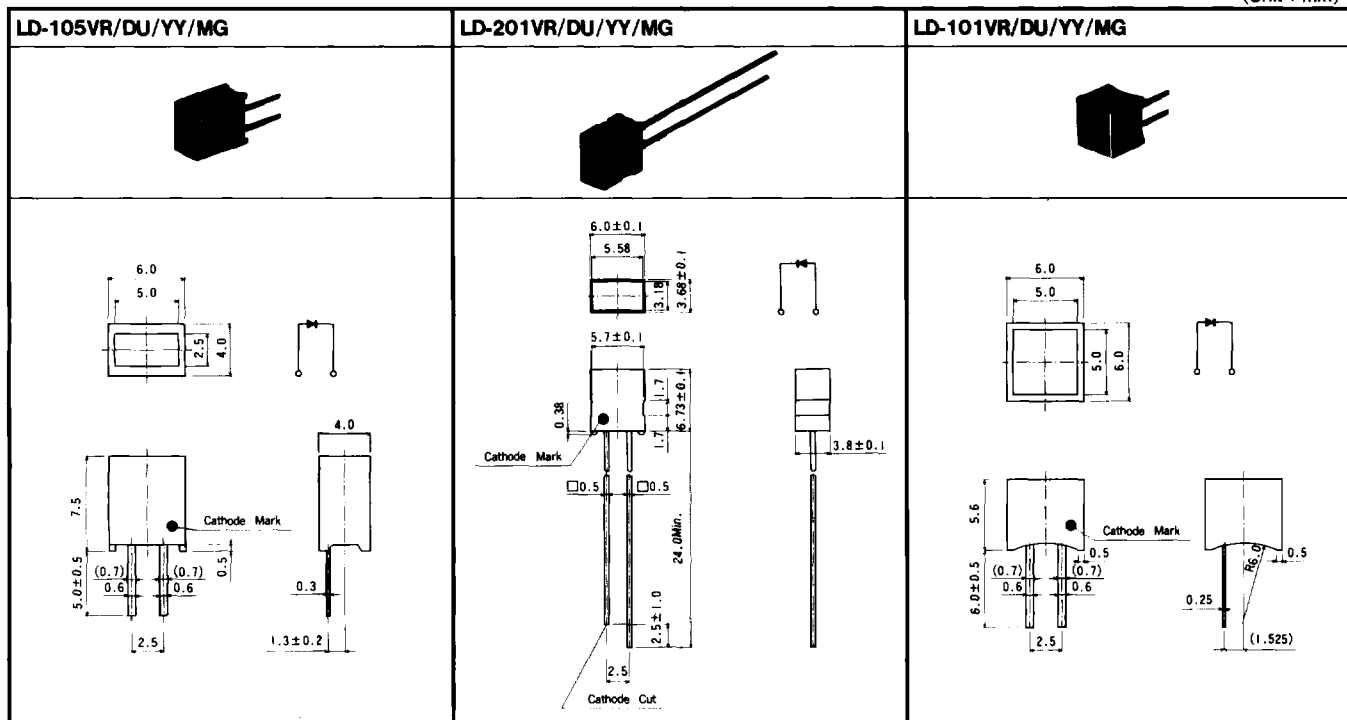
One rank preferred J

Multiple rank preferred J M

(Min., Max. is displayed)

• See Brightness Rank List P.261

(Unit : mm)


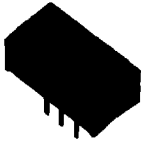
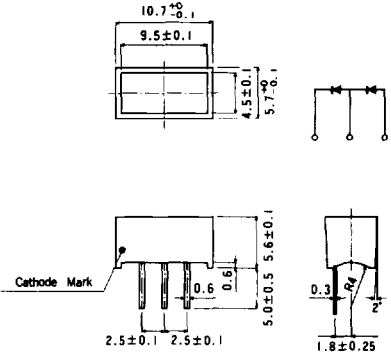
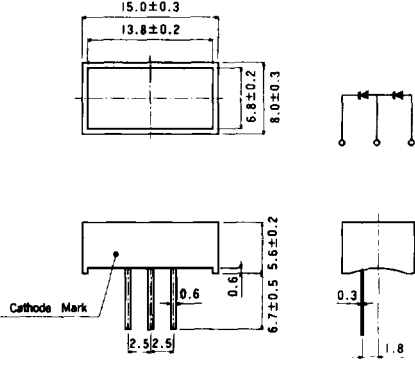
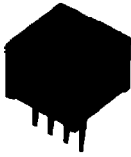
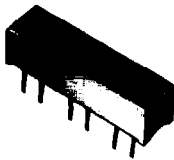
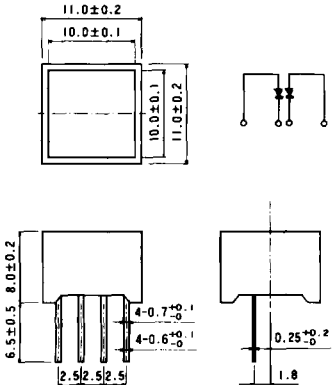
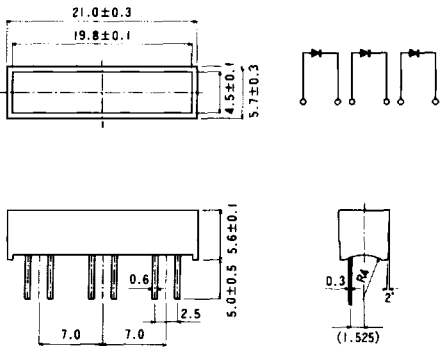


LED Flat Displays

LED

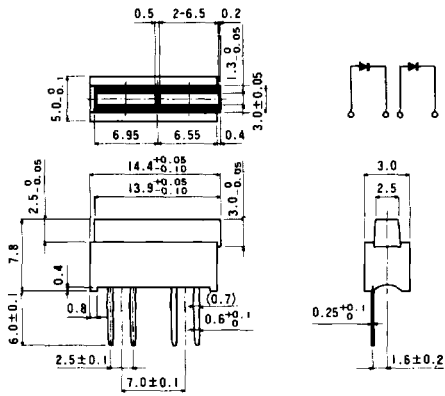
LED Flat Displays (LD)

(Unit : mm)

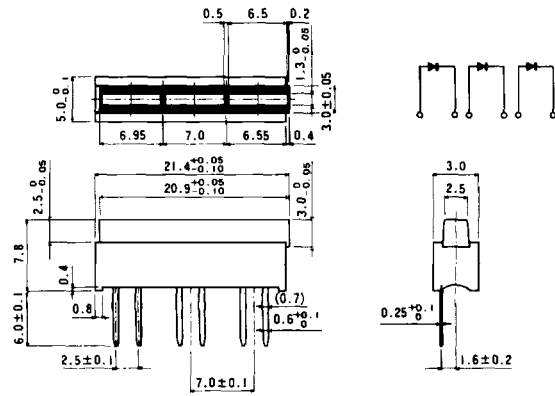
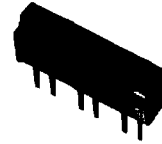
LD-001VR/DU/YY/MG	LD-603VR/DU/YY/MG
	
	
	
	

(Unit : mm)

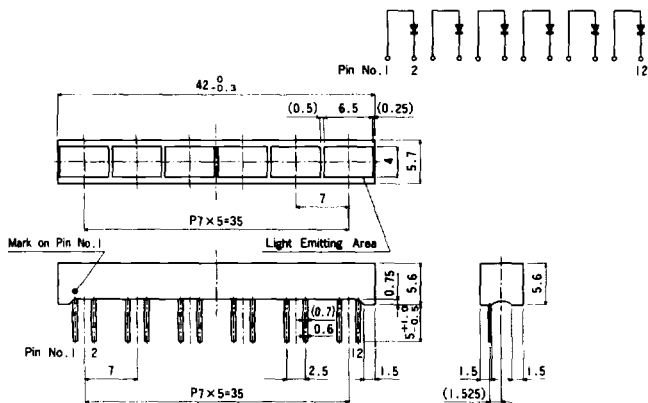
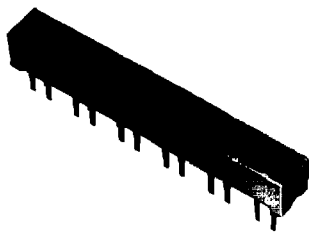
LD-002VB/DB/YB/MB



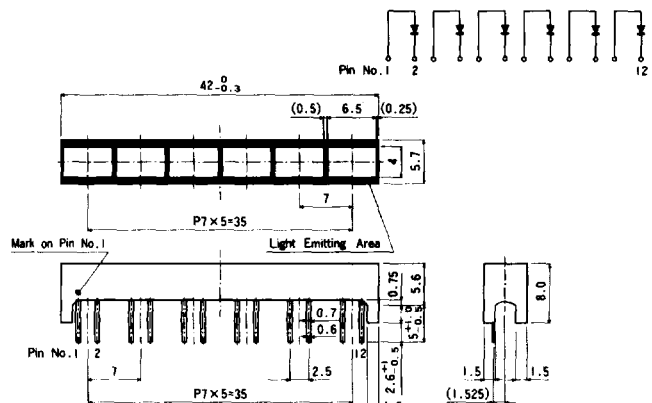
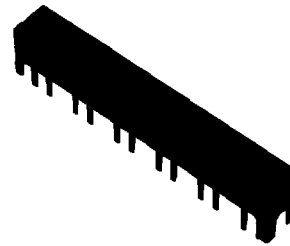
LD-003VB/DB/YB/MB



LD-006AVRA/ADUA/AYYA/AMGA



LD-006BVRB/BDUB/BYYB/BMGB



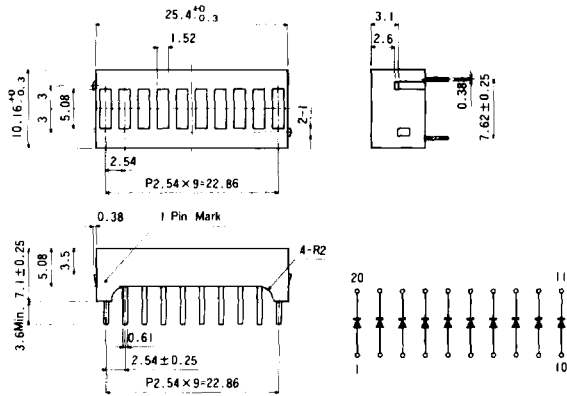
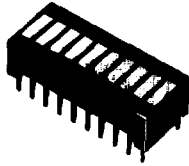
LED Flat Displays

LED

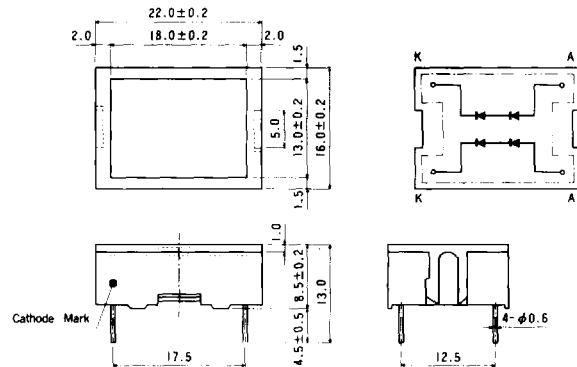
LED Flat Displays (LD)

(Unit : mm)

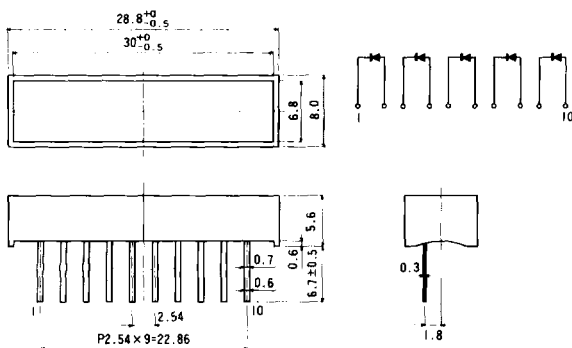
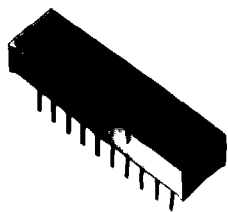
LD-010VW/DW/YW/MW



LD-706VR/DU/YY/MG



LD-1203LR/VR/DU/YY/MG



LD-605MVW

