

PLUG

RECEPTACLE

FEATURES

- * WIDELY USED IN NOTEBOOK PC
- * HIGH RELIABILITY
- * HIGH DURABILITY
- * INTEGRATED THERMOPLASTIC INSULATOR
- * GOLD PLATING CONTACT

MATERIALS/FINISHES

INSULATOR
 THERMOPLASTIC (UL 94V-0, MOLDED BLACK)

CONTACT
 COPPER ALLOY
 CONTACT AREA
 GOLD OVER Ni (50u" MIN.)
 SOLDER AREA
 TIN/LEAD (100u" MIN.) OVER Ni (50u" MIN.)

SHELL
 STEEL
 Ni PLATING

SPECIFICATION

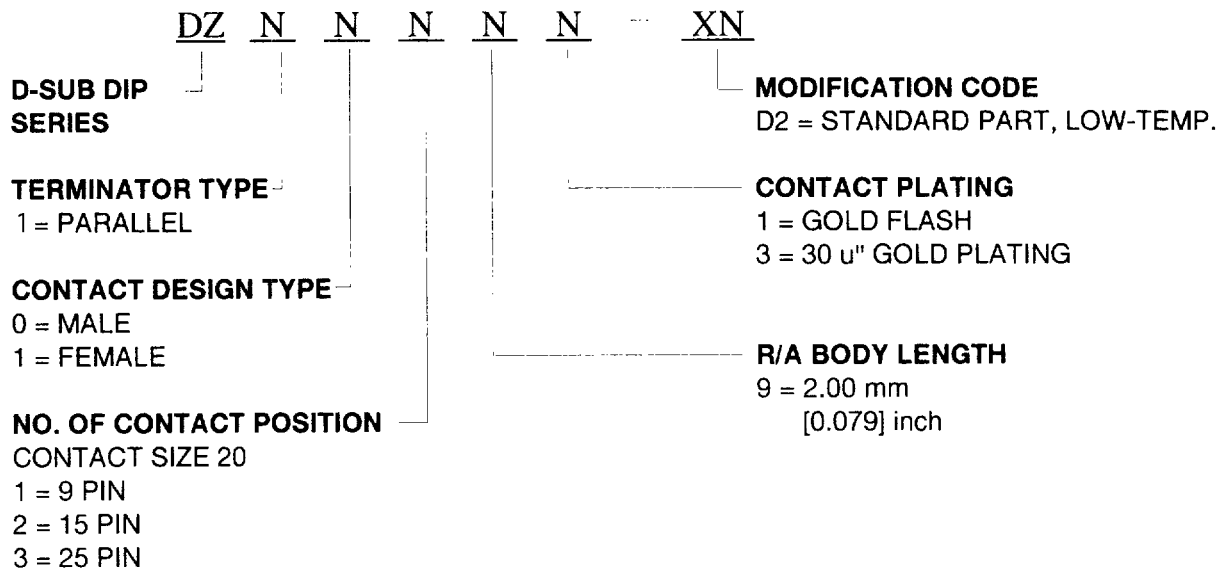
ELECTRICAL CHARACTERISTICS :

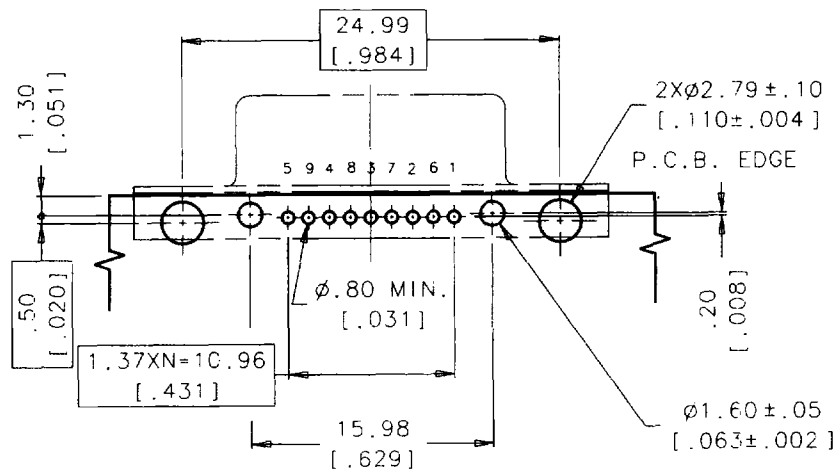
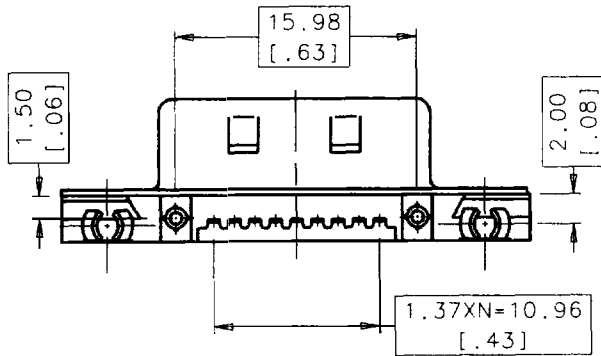
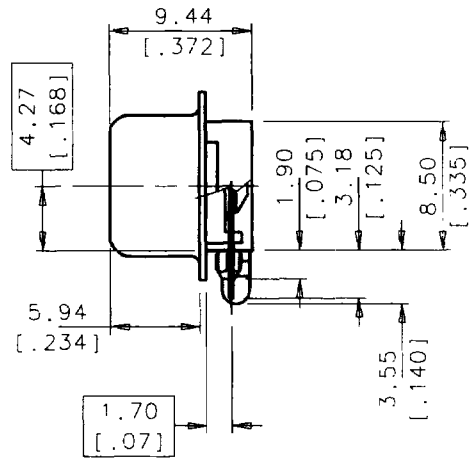
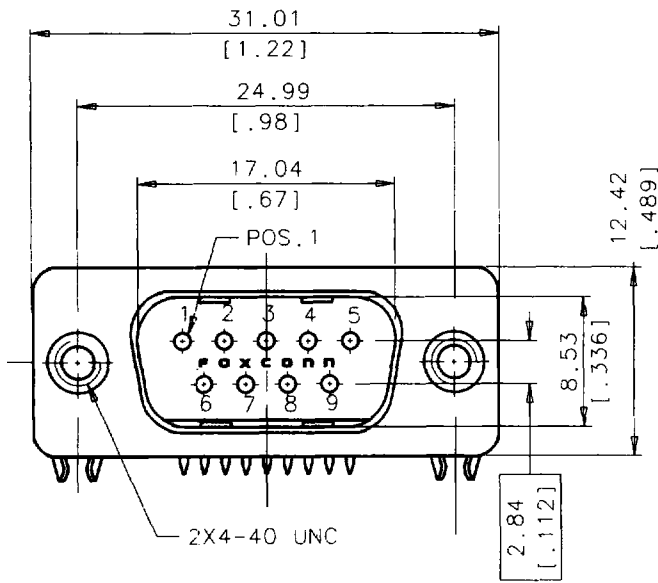
- * LOW LEVEL CONTACT RESISTANCE : 15 mΩ MAX.
- * DIELECTRIC WITHSTANDING VOLTAGE : 1000 VAC MIN.
- * INSULATION RESISTANCE : 5000 MΩ MIN.
- * CONTACT CURRENT RATING : 3 Ampere

MECHANICAL CHARACTERISTICS :

- * CONTACT ENGAGEMENT FORCE 12 oz. MAX.
- * CONTACT SEPRATION FORCE : 0.75 oz. MIN.
- * CONTACT RETENTION FORCE : 4 lbs MIN.
- * OPERATING TEMPERATURE : -55°C TO +105°C

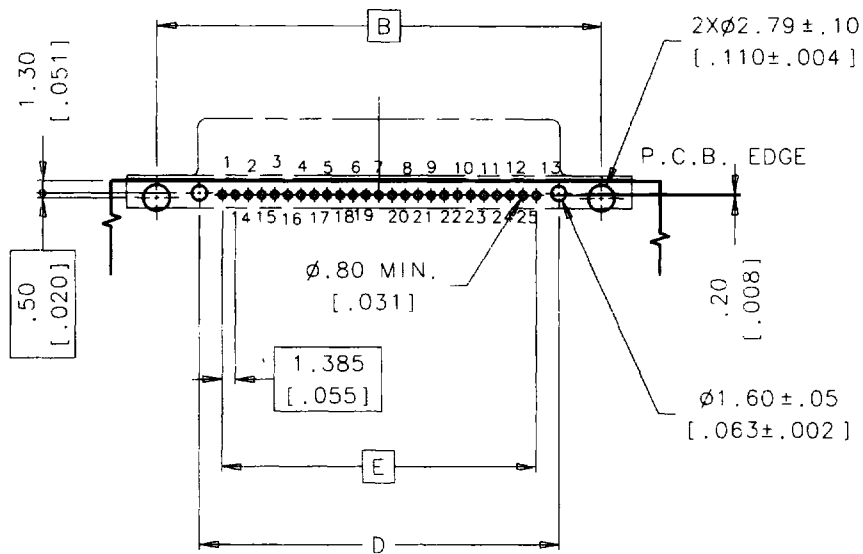
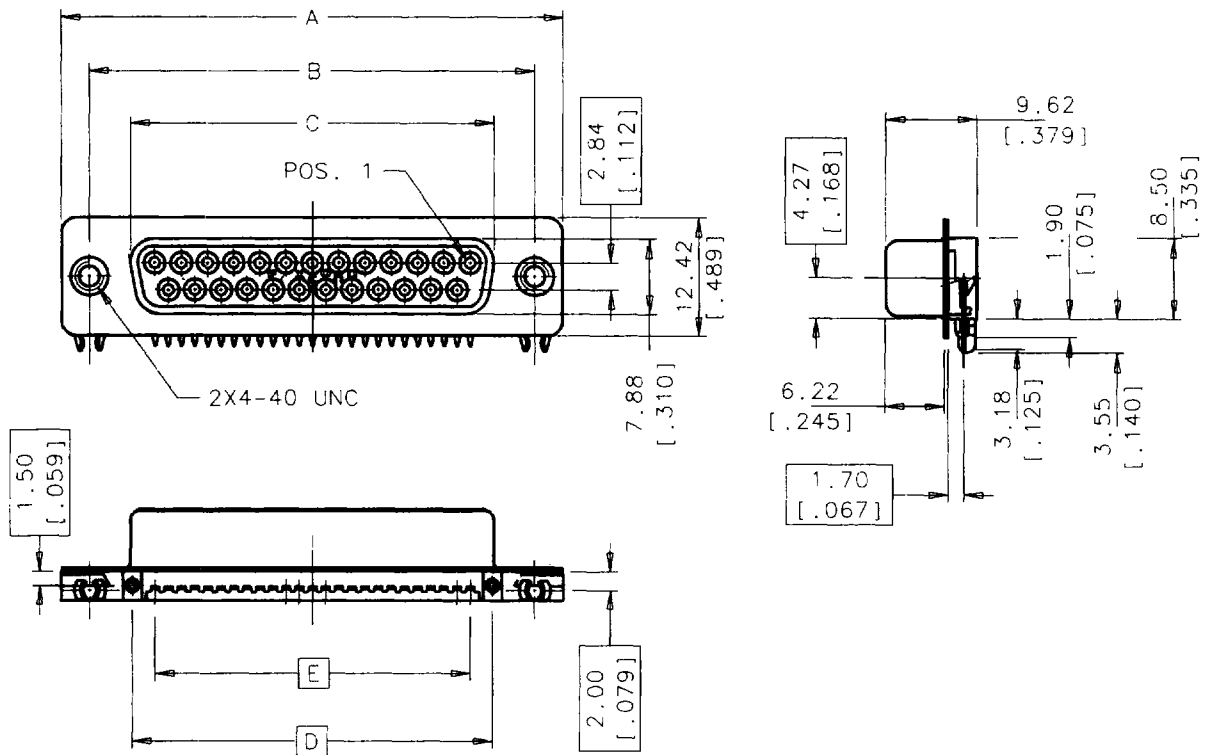
ORDER INFORMATION





RECOMMENDED P.C.B. LAYOUT (TOP VIEW)

PROD. NO.	DZ1019□-D2
-----------	------------



RECOMMENDED P.C.B. LAYOUT (TOP VIEW)

DZ1129□-D2	15	39.09 [1.539]	33.32 [1.312]	24.64 [0.970]	24.31 [0.957]	19.39 [0.763]
DZ1139□-D2	25	53.04 [2.088]	47.04 [1.852]	38.36 [1.510]	38.03 [1.497]	33.24 [1.309]
PROD. NO.	NO. OF POS.	A	B	C	D	E