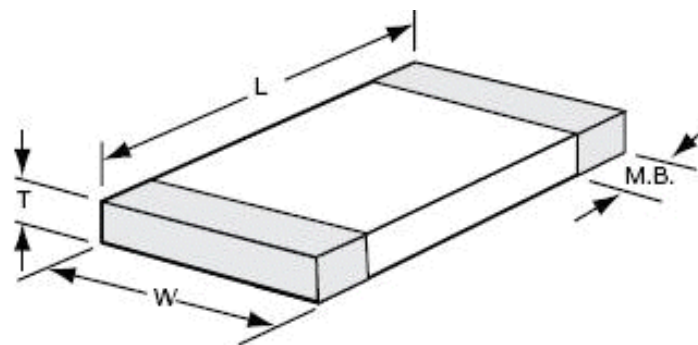


Other Available Sizes

The chart below shows additional sizes available from our factory.

SIZE	L inches (mm)	W inches (mm)	THICKNESS MAX. (T) inches (mm)	DIELECTRIC							
				NPO		BX		X7R		Y5V	
				50V	25V	50V	25V	50V	25V	50V	25V
0704	0.070 (1.78)	0.040 (1.02)	0.040 (1.02)	680 pF	820 pF	6800 pF	0.012 μF	0.018 μF	0.022 μF	0.027 μF	0.039 μF
0905	0.100 (2.54)	0.050 (1.27)	0.050 (1.27)	1800 pF	2200 pF	0.018 μF	0.033 μF	0.047 μF	0.068 μF	0.12 μF	0.18 μF
0907	0.090 (2.29)	0.070 (1.78)	0.050 (1.27)	2700 pF	3300 pF	0.068 μF	0.10 μF	0.10 μF	0.12 μF	0.22 μF	0.27 μF
1505	0.150 (3.81)	0.050 (1.27)	0.050 (1.27)	3300 pF	3900 pF	0.047 μF	0.082 μF	0.10 μF	0.12 μF	0.22 μF	0.27 μF
1706	0.170 (4.32)	0.065 (1.65)	0.065 (1.65)	4700 pF	8200 pF	0.10 μF	0.15 μF	0.18 μF	0.22 μF	0.47 μF	0.68 μF
1808	0.180 (4.57)	0.080 (2.03)	0.065 (1.65)	0.010 μF	0.012 μF	0.15 μF	0.22 μF	0.33 μF	0.39 μF	1.0 μF	1.2 μF
2018	0.197 (5.00)	0.180 (4.57)	0.080 (2.03)	0.027 μF	0.033 μF	0.47 μF	0.56 μF	0.56 μF	0.68 μF	2.2 μF	2.7 μF
2321	0.225 (5.72)	0.210 (5.33)	0.070 (1.78)	0.047 μF	0.056 μF	0.68 μF	0.82 μF	0.82 μF	1.0 μF	2.7 μF	3.3 μF
2708	0.270 (6.85)	0.080 (2.03)	0.070 (1.78)	0.010 μF	0.012 μF	0.22 μF	0.27 μF	0.39 μF	0.47 μF	1.2 μF	1.5 μF
2725	0.270 (6.85)	0.250 (6.35)	0.055 (1.40)	0.05 μF	0.060 μF			2.0 μF	2.2 μF		
3439	0.340 (8.64)	0.390 (9.91)	0.060 (1.52)	0.082 μF	0.100 μF			3.3 μF	3.9 μF		
3736	0.370 (9.40)	0.360 (9.14)	0.060 (1.52)	0.100 μF	0.120 μF			4.0 μF	4.7 μF		
3941	0.390 (9.91)	0.410 (10.41)	0.060 (1.52)	0.150 μF	0.180 μF			6.0 μF	6.8 μF		
4036	0.400 (10.16)	0.360 (9.14)	0.060 (1.52)	0.120 μF	0.150 μF			5.0 μF	5.6 μF		
4540	0.450 (11.43)	0.400 (10.16)	0.060 (1.52)	0.180 μF	0.200 μF			6.8 μF	7.8 μF		
5595	0.550 (13.97)	0.950 (24.13)	0.070 (1.78)	0.270 μF	0.300 μF			10.0 μF	12.0 μF		
5930	0.585 (14.86)	0.298 (7.57)	0.070 (1.78)	0.150 μF	0.180 μF			6.0 μF	6.8 μF		

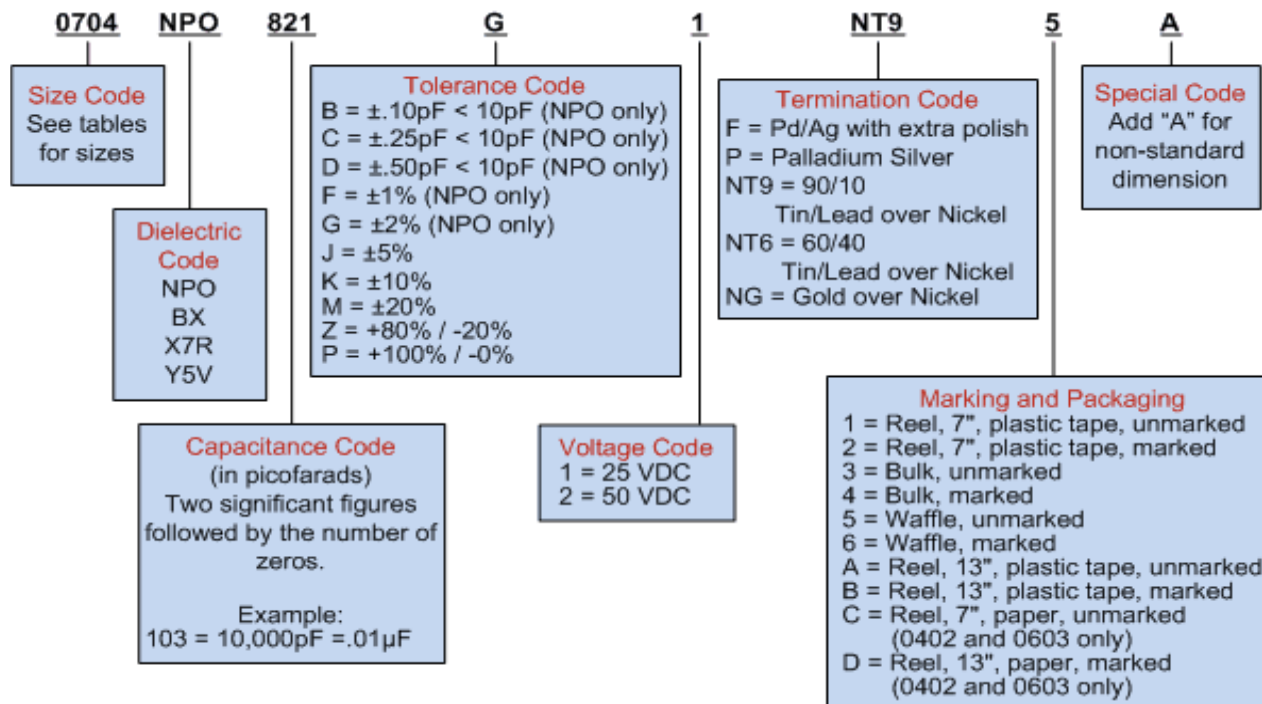
Dimensions



7169 Construction Court, San Diego, CA 92121 USA • Tel: 858-578-9390 • Fax: 800-538-3880 or 858-578-6225
 Web: www.presidiocomponents.com • Email: info@presidiocomponents.com

Other Available Sizes

How To Order



Consult factory for other voltages, capacitance options and parts outside a given range.

*The above example is of Presidio's Manufacturing part number.
If a shorter part number is desired, use our conversion tool to create our Global part number.*



PRESIDIO COMPONENTS, INC.

7169 Construction Court, San Diego, CA 92121 USA • Tel: 858-578-9390 • Fax: 800-538-3880 or 858-578-6225
Web: www.presidiocomponents.com • Email: info@presidiocomponents.com