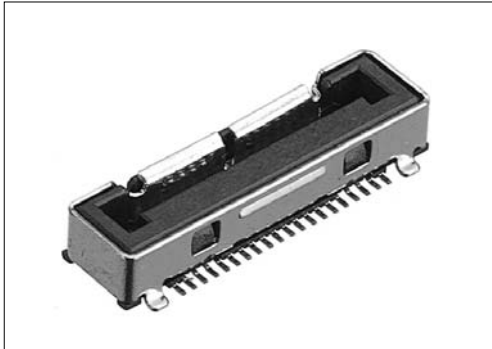


PCB side fine-wire coaxial cable  
LVC-D20SFYG(TP)

For LCD

0.5 mm pitch

PCB sides

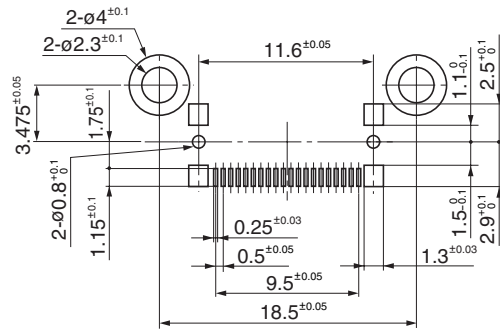
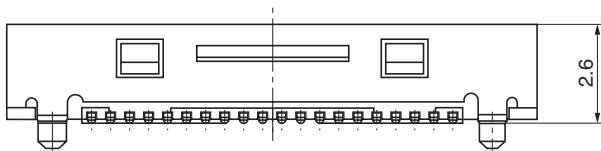
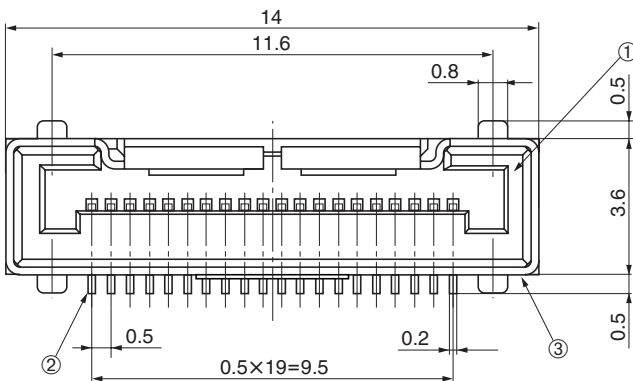
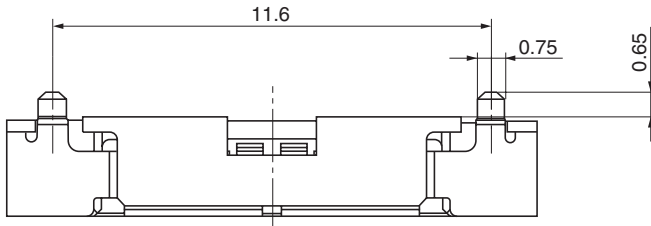


● Configuration of product Part No.

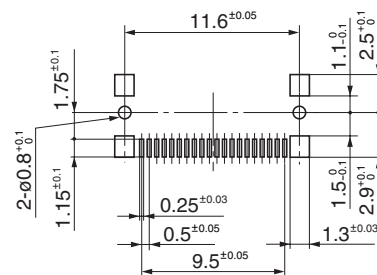
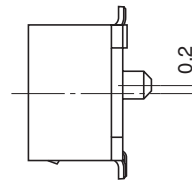
**LVC- D 20 SFY G (TP)**

① ② ③ ④ ⑤

- ① Series name
- ② No. of contacts: 20
- ③ Type of contacts  
SFY: Straight SMT type, female
- ④ Contact plating  
G: Gold plate
- ⑤ Taping package  
TP: With embossed tape and reel (1R=2,500 pcs)



PCB layout for reference only  
Mating connector: LVC-C20LPMSG



PCB layout for reference only  
Mating connector: LVC-D20LPMSG

● Components

①	Insulator
②	Contacts
③	Shell

Mating connector: LVC-C20LPMSG

LVC-D20LPMSG