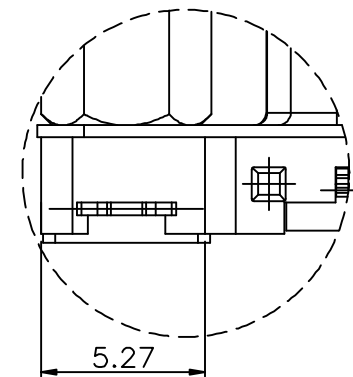
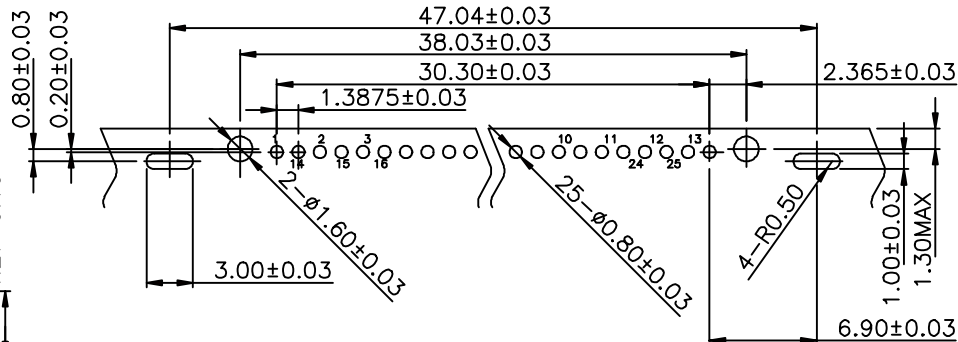
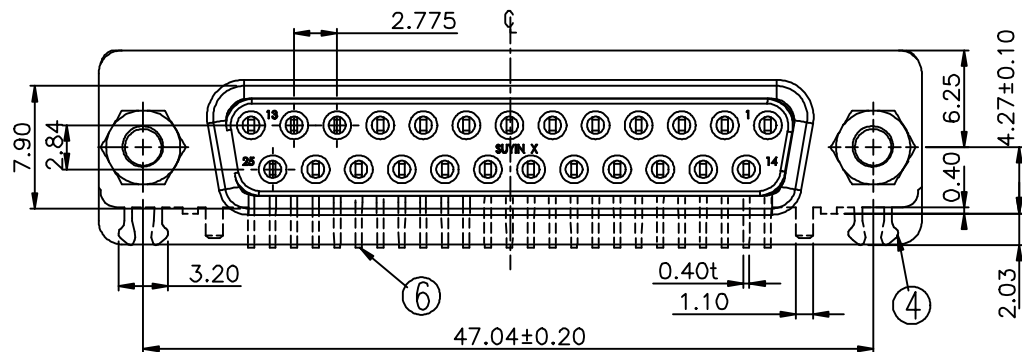




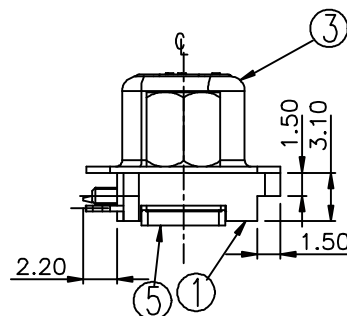
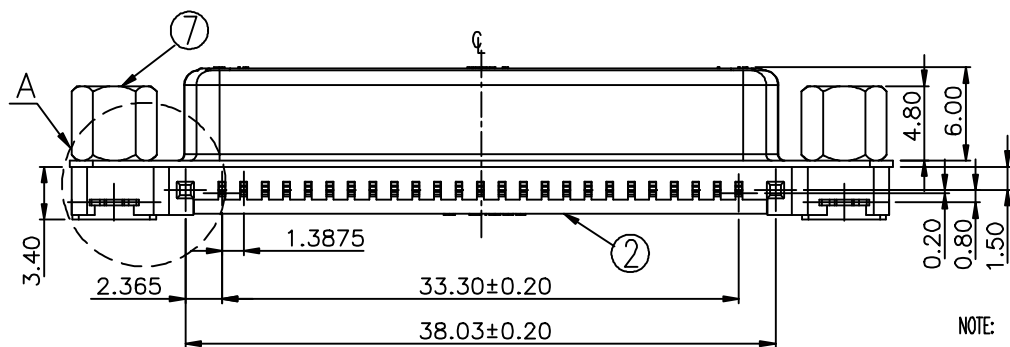
**RoHS Compliant**  
2002/95/EC  
**HSF**

Level-1 Controlled Substances are banned

RECOMMENDED P.C.B LAYOUT (COMPONENT SIDE)  
WITH LOCKING FUNCTION



DETAIL A(4:1)



NOTE: 070454FRQ25SX16ZU

1. PLATING  
 S1-05u" MIN.GOLD IN CONTACT AREA/  
 100u" MIN.TIN IN SOLDER AREA.  
 S2-GOLD FLASH IN CONTACT AREA/  
 100u" MIN.TIN IN SOLDER AREA.  
 S3-10u" MIN.GOLD IN CONTACT AREA/  
 100u" MIN.TIN IN SOLDER AREA.  
 S4-15u" MIN.GOLD IN CONTACT AREA/  
 100u" MIN.TIN IN SOLDER AREA.  
 S5-30u" MIN.GOLD IN CONTACT AREA/  
 100u" MIN.TIN IN SOLDER AREA.  
 S6-50u" MIN.GOLD IN CONTACT AREA/  
 100u" MIN.TIN IN SOLDER AREA.

NO.	DESCRIPTION	MATERIAL	COLOR	REMARK
7	NUT	COPPER ALLOY	—	NICKEL PLATED
6	TERMINAL	COPPER ALLOY	—	SELECTIVE GOLD/TIN
5	RIVET	COPPER ALLOY	—	NICKEL PLATED
4	FORK	COPPER ALLOY	—	TIN PLATED
3	SHELL	METAL	—	NICKEL PLATED
2	COVER	HIGH TEMP PLASTIC	—	UL94V-0
1	HOUSING	HIGH TEMP PLASTIC	BLACK	UL94V-0

**SUYIN**  
CONNECTOR

CUSTOMER COPY	TITLE: D-SUB CONNECTOR FEMALE DIP TYPE			
PART NO.	070454FR025SX16ZU			
PRODUCT SPEC.	070454FR/7754S-25GXX-XX			
FILE NAME.	D	070454FR025SX16ZU-C		
SCALE	2:1	UNIT:mm	A4	SHEET: 1 of 2

ECN(DCN) NO.	REV	DATE	DESCRIPTION	CHANGE	APPRO.	GENERAL TOLERANCE UNLESS OTHERWISE NOTED	APPRO.	DATE
						Angle ±2° 30 ~ ±0.50 10 ~ 30 ±0.30 ~ 10 ±0.15	DRAW	08'/05/30
							DESIGN	08'/05/30
							CHECK	08'/05/30
							APPRO.	08'/05/30