

PLEASE CHECK WWW.MOLEX.COM FOR LATEST PART INFORMATION

Part Number: [0395340008](#)
Status: **Active**
Description: 5.08mm (.200") Pitch Eurostyle™ Horizontal Plug, with Retention Screws, 8 Circuits

Documents:

[3D Model](#) [Product Specification PS-39500-001 \(PDF\)](#)
[Drawing \(PDF\)](#) [RoHS Certificate of Compliance \(PDF\)](#)

General

Product Family	Terminal Blocks
Series	39534
Application	Wire-to-Board
Component Type	Plug
Product Literature Order No	USA-355
Product Name	ESE, Eurostyle™ Pluggable
Type	Euro Block

Physical

Circuits (Loaded)	8
Entry Angle	Vertical
Lock to Mating Part	Yes
Number of Rows	1
Orientation	Horizontal
PC Tail Length (in)	0.200 In
PC Tail Length (mm)	5.08 mm
Panel Mount	No
Pitch - Mating Interface (in)	0.200 In
Pitch - Mating Interface (mm)	5.08 mm
Polarized to Mating Part	Yes
Stackable	No
Temperature Range - Operating	-40°C to +105°C
Wire Size AWG	12, 14, 16, 18, 20, 22, 24, 26
Wire Size mm²	0.13 - 3.31

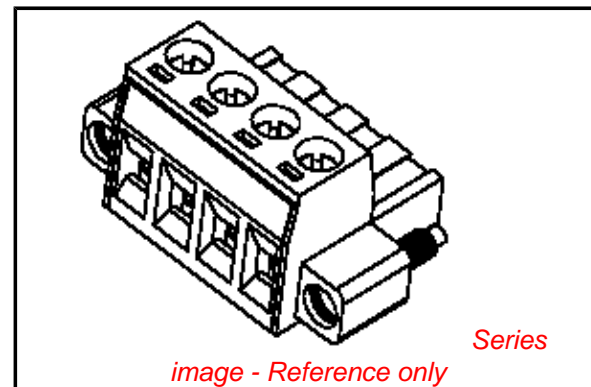
Electrical

Current - Maximum per Contact	15A
Voltage - Maximum	300V

Material Info

Reference - Drawing Numbers

Product Specification	PS-39500-001
Sales Drawing	SD-39534-001



EU RoHS

**ELV and RoHS
Compliant**
REACH SVHC
 Not Reviewed
**Halogen-Free
Status**

China RoHS



Not Reviewed

**Need more information on product
environmental compliance?**

Email productcompliance@molex.com
 For a multiple part number RoHS Certificate of
 Compliance, [click here](#)

Please visit the [Contact Us](#) section for any
 non-product compliance questions.

Search Parts in this Series

[39534Series](#)

Mates With

Most 5.08mm (.200") Pitch Industry
 Standard PCB Headers, [39535](#) Vertical
 PCB Header with Threaded Retention
 Inserts, [39536](#) Horizontal PCB Header with
 Threaded Retention Inserts

SPECIFICATIONS:

1. MATERIAL:

- (1). SCREW: STEEL.
- (2). COVER: NYLON 66 (PA 66).
- (3). TERMINAL: PHOSPHOR BRONZE.
- (4). CAGE (*): BRASS
- (5). BODY: NYLON 66 (PA 66).
- (6). SCREW: STEEL.

Ⓒ 2. PRODUCT SPECIFICATION: PS-39500-001.

3. WIRE RANGE: 30 - 12AWG.

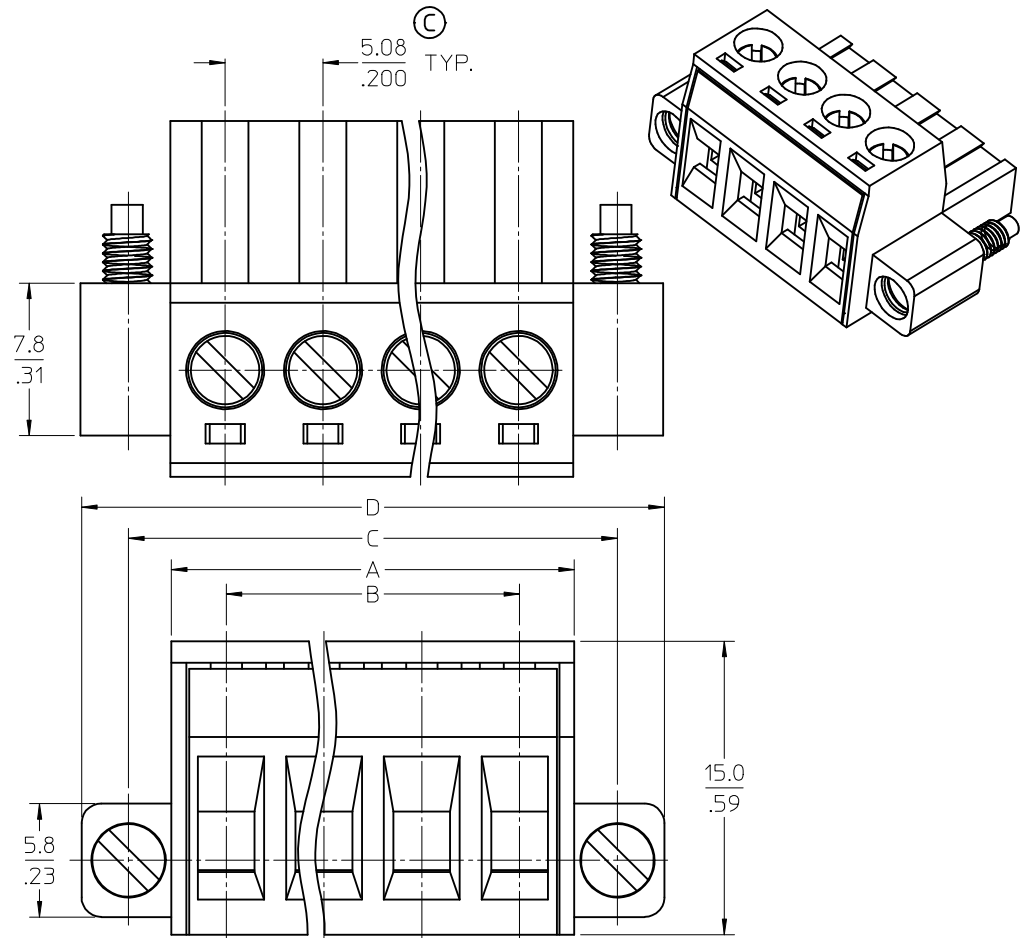
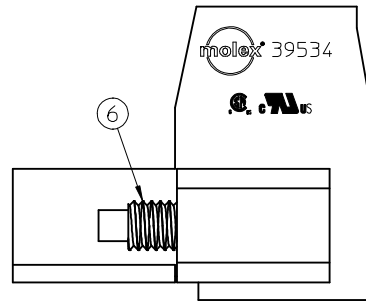
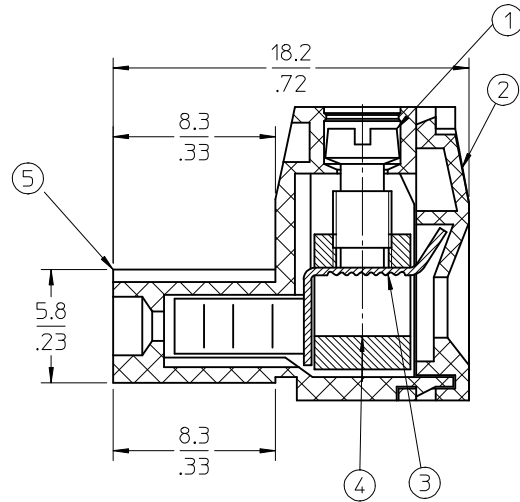
4. WIRE STRIP LENGTH: 6.50/.256.

5. TORQUE: 5 in-lbs.

6. NUMBER OF CIRCUIT POSITIONS AVAILABLE = 2 THROUGH 24.

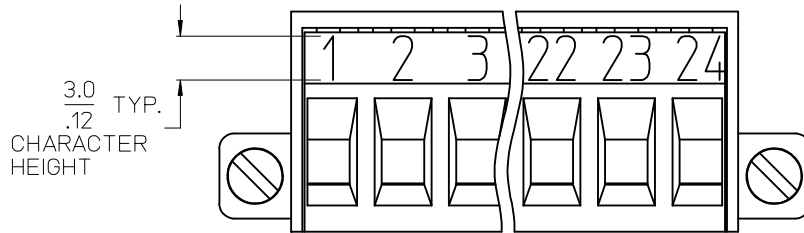
Ⓒ 7. ASSEMBLY IS ROHS COMPLIANT BY EXEMPTION.

COMPONENTS MARKED WITH AN ASTERISK (*) ARE ROHS COMPLIANT BY EXEMPTION, ALL OTHERS ARE ROHS COMPLIANT.

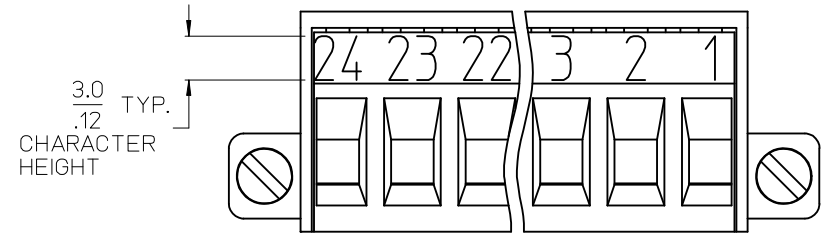


ADD IMPRINTING EC NO: WNA2009-0618 DRAWN BY: C.YORK 2009/04/29 CHKD: RDEROSS 2009/04/30 APPR: RDEROSS 2009/05/01	DESCRIPTION REV	QUALITY SYMBOLS	GENERAL TOLERANCES (UNLESS SPECIFIED)	DIMENSION STYLE	SCALE	DESIGN UNITS	THIRD ANGLE PROJECTION
		▼=0 ▽=0	mm INCH 4 PLACES ± --- ± --- 3 PLACES ± --- ± .005 2 PLACES ± 0.13 ± .01 1 PLACE ± 0.3 ± --- ANGULAR ± 2 °	MM/IN	4:1	INCH	☉ ◻ THIRD ANGLE PROJECTION
		DRAFT WHERE APPLICABLE MUST REMAIN WITHIN DIMENSIONS	DRAWN BY: LROTHAUS DATE: 2005/12/06 CHECKED BY: C.YORK DATE: 2006/01/06 APPROVED BY: JPAWLICK DATE: 2006/01/06 MATERIAL NO.	TITLE	5.08MM, EURO PLUG, RIGHT ANGLE, MOUNTING ENDS		
		SEE CHART	MOLEX INCORPORATED DOCUMENT NO. SD-39534-001 SHEET NO. 1 OF 2	THIS DRAWING CONTAINS INFORMATION THAT IS PROPRIETARY TO MOLEX INCORPORATED AND SHOULD NOT BE USED WITHOUT WRITTEN PERMISSION			

Circuit size	Material Numbers												Dimensional Information															
	Black						Green						Dim. A				Dim. B				Dim. C				Dim. D			
	100% Tin			30 u" Gold			100% Tin			30 u" Gold			mm		inch		mm		inch		mm		inch		mm		inch	
	Printing Options		Printing Options		Printing Options		Printing Options		Printing Options		Printing Options		Printing Options		Printing Options		Printing Options		Printing Options		Printing Options		Printing Options		Printing Options		Printing Options	
None	10A	11A	None	10A	11A	None	10A	11A	None	10A	11A	None	10A	11A	mm	inch	mm	inch	mm	inch	mm	inch	mm	inch	mm	inch		
2	395340002	395340102	395340202	395340502	395340602	395340702	395345002	395345102	395345202	395345502	395345602	395345702	10.16	0.400	5.08	0.200	15.08	0.594	19.96	0.786								
3	395340003	395340103	395340203	395340503	395340603	395340703	395345003	395345103	395345203	395345503	395345603	395345703	15.24	0.600	10.16	0.400	20.16	0.794	25.04	0.986								
4	395340004	395340104	395340204	395340504	395340604	395340704	395345004	395345104	395345204	395345504	395345604	395345704	20.32	0.800	15.24	0.600	25.24	0.994	30.12	1.186								
5	395340005	395340105	395340205	395340505	395340605	395340705	395345005	395345105	395345205	395345505	395345605	395345705	25.40	1.000	20.32	0.800	30.32	1.194	35.20	1.386								
6	395340006	395340106	395340206	395340506	395340606	395340706	395345006	395345106	395345206	395345506	395345606	395345706	30.48	1.200	25.40	1.000	35.40	1.394	40.28	1.586								
7	395340007	395340107	395340207	395340507	395340607	395340707	395345007	395345107	395345207	395345507	395345607	395345707	35.56	1.400	30.48	1.200	40.48	1.594	45.36	1.786								
8	395340008	395340108	395340208	395340508	395340608	395340708	395345008	395345108	395345208	395345508	395345608	395345708	40.64	1.600	35.56	1.400	45.56	1.794	50.44	1.986								
9	395340009	395340109	395340209	395340509	395340609	395340709	395345009	395345109	395345209	395345509	395345609	395345709	45.72	1.800	40.64	1.600	50.64	1.994	55.52	2.186								
10	395340010	395340110	395340210	395340510	395340610	395340710	395345010	395345110	395345210	395345510	395345610	395345710	50.80	2.000	45.72	1.800	55.72	2.194	60.60	2.386								
11	395340011	395340111	395340211	395340511	395340611	395340711	395345011	395345111	395345211	395345511	395345611	395345711	55.88	2.200	50.80	2.000	60.80	2.394	65.68	2.586								
12	395340012	395340112	395340212	395340512	395340612	395340712	395345012	395345112	395345212	395345512	395345612	395345712	60.96	2.400	55.88	2.200	65.88	2.594	70.76	2.786								
13	395340013	395340113	395340213	395340513	395340613	395340713	395345013	395345113	395345213	395345513	395345613	395345713	66.04	2.600	60.96	2.400	70.96	2.794	75.84	2.986								
14	395340014	395340114	395340214	395340514	395340614	395340714	395345014	395345114	395345214	395345514	395345614	395345714	71.12	2.800	66.04	2.600	76.04	2.994	80.92	3.186								
15	395340015	395340115	395340215	395340515	395340615	395340715	395345015	395345115	395345215	395345515	395345615	395345715	76.20	3.000	71.12	2.800	81.12	3.194	86.00	3.386								
16	395340016	395340116	395340216	395340516	395340616	395340716	395345016	395345116	395345216	395345516	395345616	395345716	81.28	3.200	76.20	3.000	86.20	3.394	91.08	3.586								
17	395340017	395340117	395340217	395340517	395340617	395340717	395345017	395345117	395345217	395345517	395345617	395345717	86.36	3.400	81.28	3.200	91.28	3.594	96.16	3.786								
18	395340018	395340118	395340218	395340518	395340618	395340718	395345018	395345118	395345218	395345518	395345618	395345718	91.44	3.600	86.36	3.400	96.36	3.794	101.24	3.986								
19	395340019	395340119	395340219	395340519	395340619	395340719	395345019	395345119	395345219	395345519	395345619	395345719	96.52	3.800	91.44	3.600	101.44	3.994	106.32	4.186								
20	395340020	395340120	395340220	395340520	395340620	395340720	395345020	395345120	395345220	395345520	395345620	395345720	101.60	4.000	96.52	3.800	106.52	4.194	111.40	4.386								
21	395340021	395340121	395340221	395340521	395340621	395340721	395345021	395345121	395345221	395345521	395345621	395345721	106.68	4.200	101.60	4.000	111.60	4.394	116.48	4.586								
22	395340022	395340122	395340222	395340522	395340622	395340722	395345022	395345122	395345222	395345522	395345622	395345722	111.76	4.400	106.68	4.200	116.68	4.594	121.56	4.786								
23	395340023	395340123	395340223	395340523	395340623	395340723	395345023	395345123	395345223	395345523	395345623	395345723	116.84	4.600	111.76	4.400	121.76	4.794	126.64	4.986								
24	395340024	395340124	395340224	395340524	395340624	395340724	395345024	395345124	395345224	395345524	395345624	395345724	121.92	4.800	116.84	4.600	126.84	4.994	131.72	5.186								



© 10A IMPRINTING



© 11A IMPRINTING

SEE SHEET 1 EC NO: MNA2009-0618 DRAWN BY: C. YORK 2009/04/29 CHKD: R. ROSS 2009/04/30 APPR: R. ROSS 2009/05/01	QUALITY SYMBOLS ▽=0 ▽=0	GENERAL TOLERANCES (UNLESS SPECIFIED)	DIMENSION STYLE	SCALE	DESIGN UNITS	THIRD ANGLE PROJECTION
		mm INCH 4 PLACES ± --- ± --- 3 PLACES ± --- ± .005 2 PLACES ± 0.13 ± .01 1 PLACE ± 0.3 ± ---	MM/IN	3:1	INCH	
		ANGULAR ± 2 °	DRAWN BY: LROTHAUS CHECKED BY: C. YORK APPROVED BY: JP AWLICK	DATE: 2005/12/06 DATE: 2006/01/06 DATE: 2006/01/06	TITLE: 5.08MM, EURO PLUG, RIGH ANGLE, MOUNTING ENDS	
		DRAFT WHERE APPLICABLE MUST REMAIN WITHIN DIMENSIONS	MATERIAL NO. SEE CHART SIZE B	DOCUMENT NO. SD-39534-001	MOLEX INCORPORATED	
THIS DRAWING CONTAINS INFORMATION THAT IS PROPRIETARY TO MOLEX INCORPORATED AND SHOULD NOT BE USED WITHOUT WRITTEN PERMISSION						SHEET NO. 2 OF 2