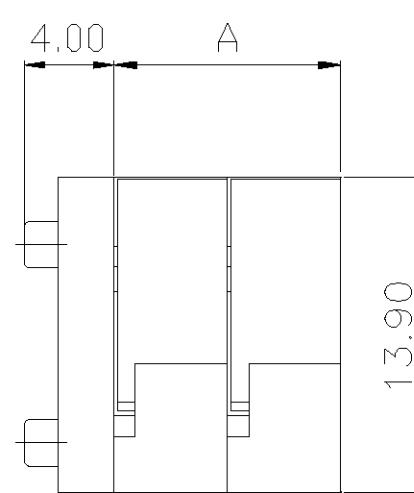
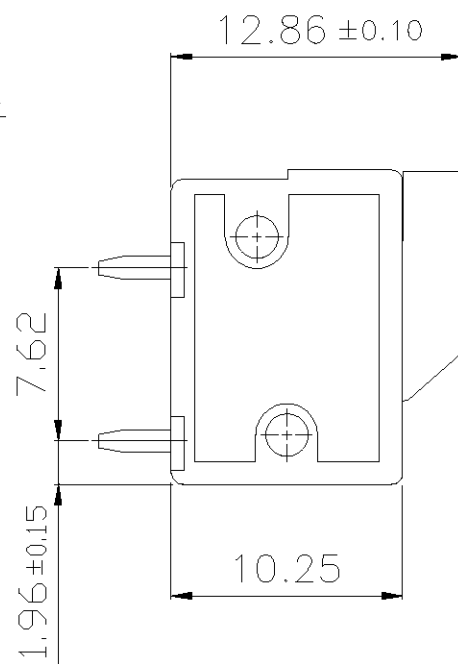
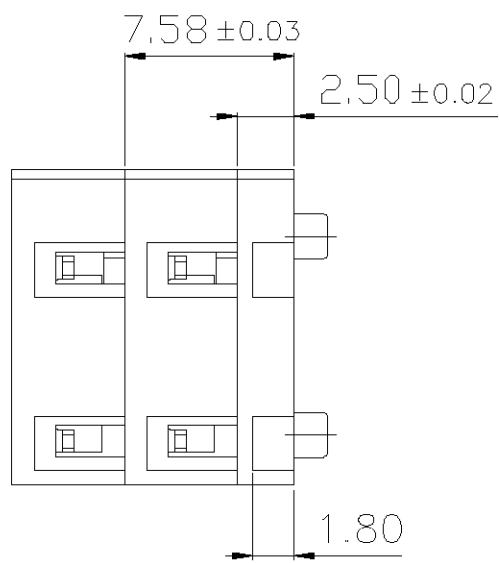
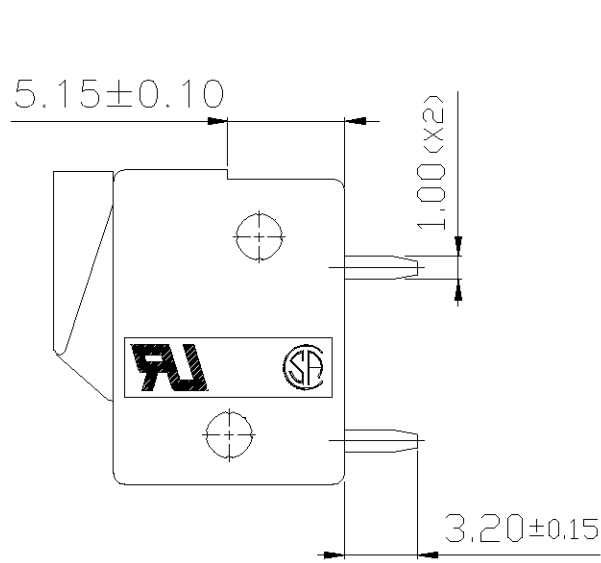
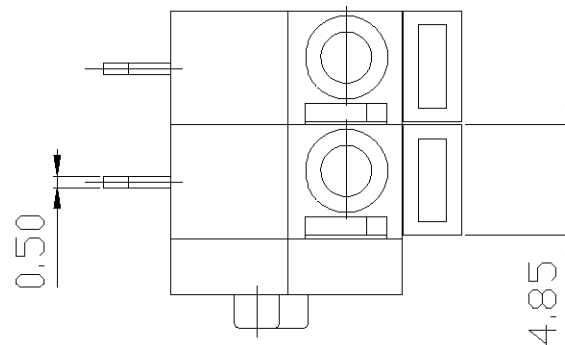


THIS DRAWING IS UNPUBLISHED. RELEASED FOR PUBLICATION

© COPYRIGHT BY TYCO ELECTRONICS CORPORATION. ALL RIGHTS RESERVED.

LOC	DIST	REVISIONS					
FT	0	P	LTR	DESCRIPTION	DATE	DWN	APVD
			A	RELEASED	-	EZ	-

NOTES:
1. ALL DIMENSIONS ARE IN MMS.



796463-2 AS SHOWN

60.96	12	1-796463-2
55.88	11	1-796463-1
50.80	10	1-796463-0
45.72	9	796463-9
40.64	8	796463-8
35.56	7	796463-7
30.48	6	796463-6
25.40	5	796463-5
20.32	4	796463-4
15.24	3	796463-3
10.16	2	796463-2
DIM. A	NO. OF POS.	PART NUMBER

THIS DRAWING IS A CONTROLLED DOCUMENT.		DWN E. ZANOLINI 29JAN01	tyco Electronics	Tyco Electronics Corporation Harrisburg, PA 17105-3608													
DIMENSIONS: MM		CHK E. ZANOLINI 29JAN01		NAME													
TOLERANCES UNLESS OTHERWISE SPECIFIED:		APVD D. BIEVENOUR 29JAN01	BOARD MT. SCREWLESS 5.08mm SIDE WIRE ENTRY TERMINAL BLOCK (LT)														
<table border="0"> <tr><td>0 PLC</td><td>± -</td></tr> <tr><td>1 PLC</td><td>± -</td></tr> <tr><td>2 PLC</td><td>± 0.08</td></tr> <tr><td>3 PLC</td><td>± -</td></tr> <tr><td>4 PLC</td><td>± -</td></tr> <tr><td>ANGLES</td><td>± -</td></tr> </table>		0 PLC	± -	1 PLC	± -	2 PLC	± 0.08	3 PLC	± -	4 PLC	± -	ANGLES	± -	PRODUCT SPEC -	SIZE	CAGE CODE	DRAWING NO
0 PLC	± -																
1 PLC	± -																
2 PLC	± 0.08																
3 PLC	± -																
4 PLC	± -																
ANGLES	± -																
MATERIAL -		FINISH -	A3 00779		RESTRICTED TO -												
CUSTOMER DRAWING			SCALE	SHEET	REV												
			3:1	1 OF 2	A												

THIS DRAWING IS UNPUBLISHED. RELEASED FOR PUBLICATION
 © COPYRIGHT BY TYCO ELECTRONICS CORPORATION. ALL RIGHTS RESERVED.

LOC		DIST		REVISIONS			
P	LTR	DESCRIPTION		DATE	DWN	APVD	
	A	SEE PAGE 1		-	EZ	-	

1. Application and Features:

- 1-1. This screwless terminals are suitable for both solid and flexible conductors.
- 1-2. A spring made of stainless strip steel guarantees for permanent and safe contact.
- 1-3. The type is operated by pushing a screwdriver on the level. This lever is fully integrated into the body.
- 1-4. It is equipped with a cover for easy hand adjustment.

2-2. Electrical:

- 2-2-1. Current rating: 15 Amp 300VAC.
- 2-2-2. Dielectric withstanding voltage: 2000VAC (min).
- 2-2-3. Insulation resistance: 500MΩ more at 500VAC.
- 2-2-4. Wire Range: 14-22AWG.

2. Technical Data:

2-1. Material:

- 2-1-1. HOUSING: NYLON FR15, (Without Glass), UL 94 V-0 (Green).
- 2-1-2. Contact: Brass(Cu Zn) Ni,Tin plated.
 first 50u" (min) Ni plated over all.
 last 120u" (min) Tin plated over all.
- 2-1-3. Metal Plate: Stainless strip steel.

2-3. Mechanical:

- 2-3-1. Wire retention force: 1.2 Kg (min).
- 2-3-2. Operating temperature: -55°C to +105°C.
- 2-3-3. Solderability: 95% coverage (min).

THIS DRAWING IS A CONTROLLED DOCUMENT.		DWN E. ZANOLINI	29JAN01	tyco Electronics	Tyco Electronics Corporation Harrisburg, PA 17105-3608	
DIMENSIONS: MM		CHK E. ZANOLINI	29JAN01		NAME D. BIEVENOUR	
TOLERANCES UNLESS OTHERWISE SPECIFIED:		APVD D. BIEVENOUR	29JAN01	PRODUCT SPEC -		
0 PLC ± -		APPLICATION SPEC		BOARD MT. SCREWLESS SIDE WIRE ENTRY TERMINAL BLOCK (LT)		
1 PLC ± -		-		SIZE	CAGE CODE	DRAWING NO
2 PLC ± -		-		A3	00779	©=796463
3 PLC ± -		WEIGHT		RESTRICTED TO		
4 PLC ± -		-		-		
ANGLES ± -		CUSTOMER DRAWING		SCALE	SHEET	OF
FINISH		-		1:1	2	2
MATERIAL		-		REV A		

