

PLEASE CHECK WWW.MOLEX.COM FOR LATEST PART INFORMATION

Part Number: **0532901180**
Status: **Active**
Description: 2.00mm (.079") Pitch Board-to-Board Header, Vertical, Single Row, 0.50mm (.020") Square Pin, with Friction Lock, Lead-free, 11 Circuits, with Kinked PC Tails

Documents:

[3D Model](#) [Product Specification PS-52418-003 \(PDF\)](#)
[Drawing \(PDF\)](#) [RoHS Certificate of Compliance \(PDF\)](#)

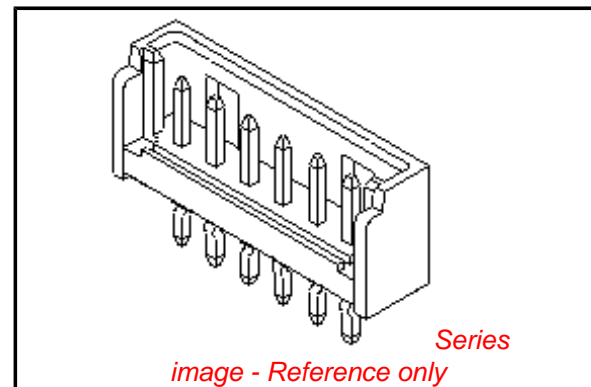
General

Product Family	PCB Headers
Series	53290
Application	Board-to-Board
Product Name	N/A

Physical

Breakaway	No
Circuits (Loaded)	11
Circuits (maximum)	11
Color - Resin	Natural
Durability (mating cycles max)	30
First Mate / Last Break	No
Glow-Wire Compliant	No
Guide to Mating Part	No
Keying to Mating Part	None
Lock to Mating Part	Yes
Mated Height (in)	0.236 In
Mated Height (mm)	6.00 mm
Material - Metal	Brass
Material - Plating Mating	Tin
Material - Plating Termination	Tin
Material - Resin	Polyester
Number of Rows	1
Orientation	Vertical
PC Tail Length (in)	0.126 In
PC Tail Length (mm)	3.20 mm
PCB Locator	No
PCB Retention	Yes
PCB Thickness Recommended (in)	0.062 In
PCB Thickness Recommended (mm)	1.60 mm
Packaging Type	Tray
Pitch - Mating Interface (in)	0.079 In
Pitch - Mating Interface (mm)	2.00 mm
Plating min: Mating (µin)	40
Plating min: Mating (µm)	1.00
Plating min: Termination (µin)	40
Plating min: Termination (µm)	1.00
Polarized to Mating Part	Yes
Polarized to PCB	No
Shrouded	Partial
Stackable	No
Surface Mount Compatible (SMC)	No
Temperature Range - Operating	-40°C to +105°C
Termination Interface: Style	Through Hole

Electrical



EU RoHS

ELV and RoHS Compliant
REACH SVHC
 Not Reviewed
Halogen-Free Status
 Not Reviewed

China RoHS



Need more information on product environmental compliance?

Email productcompliance@molex.com
 For a multiple part number RoHS Certificate of Compliance, [click here](#)

Please visit the [Contact Us](#) section for any non-product compliance questions.

Search Parts in this Series

[53290Series](#)

Mates With

[52418 PCB Receptacle](#)

Current - Maximum per Contact	1.5A
Voltage - Maximum	125V

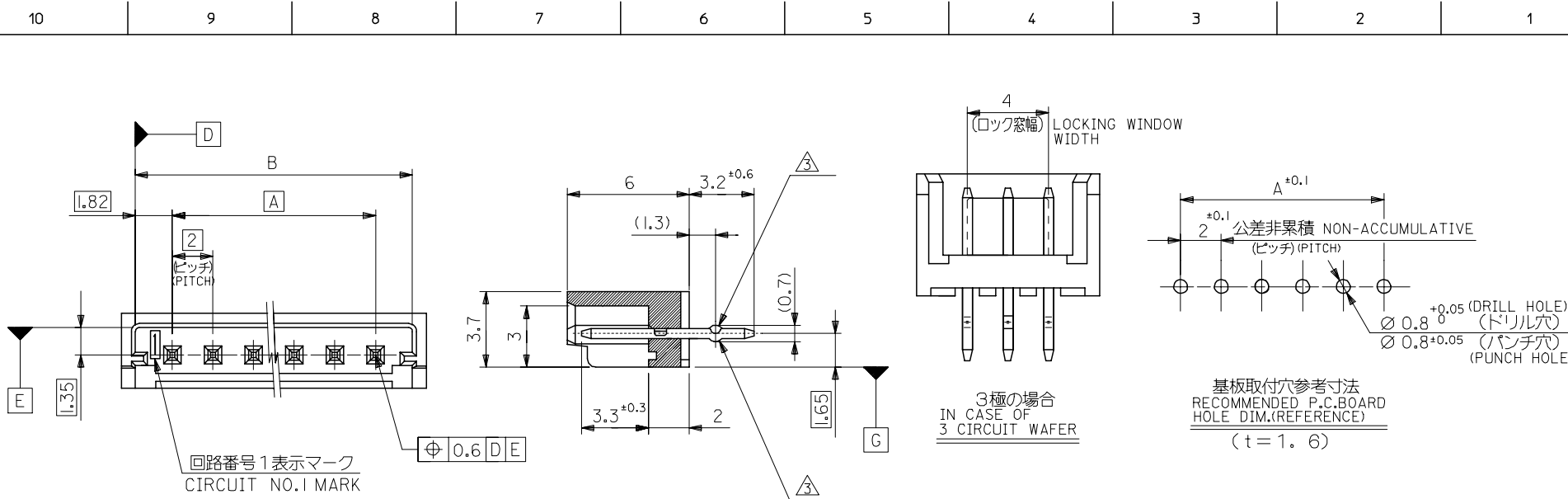
Material Info

Reference - Drawing Numbers

Product Specification	PS-52418-003, RPS-52418-004
Sales Drawing	SD-53290-004

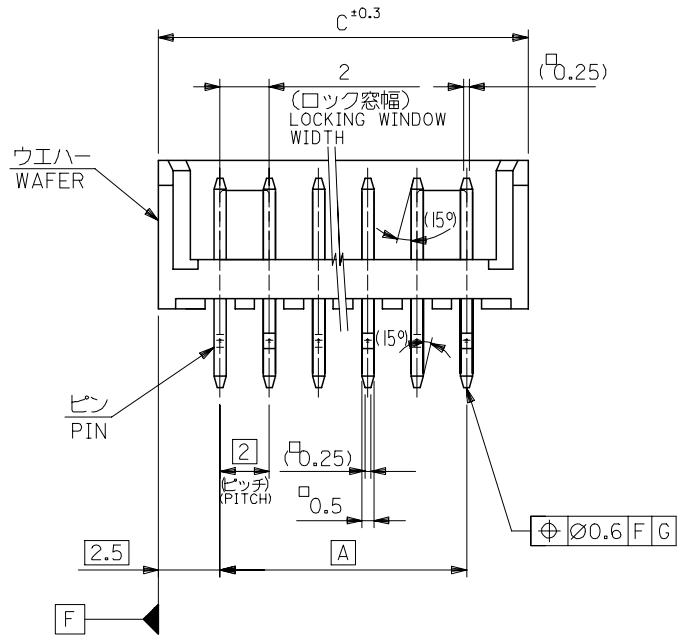
This document was generated on 04/16/2010

PLEASE CHECK WWW.MOLEX.COM FOR LATEST PART INFORMATION



注記 NOTES

1. 材料 MATERIAL
 ウエハー: PBT (ガラス 15% 入り)
 WAFER: G.F. 15%
 UL94V-0
 ビン: 黄銅, 錫メッキ
 PIN: BRASS, TIN
2. 嵌合相手: 52418 シリーズ
 MATE WITH: 52418 SERIES
3. キンクは全ピンに交互に付加.
 SET KINK ALTERNATELY TO ALL PIN.
4. 各部のソリは 0.2MAX.
 CAMBER: 0.2MAX.
5. 本製品は、53290-**10 の鉛フリー品である。
 THIS PRODUCT IS LEAD FREE OF 53290-**10.
6. 梱包仕様 PACKAGING
 53290-**8* トレー TRAY
 53290-**4* ポリ袋 POLYBAG



REVISED EC NO: J2005-2460 DRAWN: NAIDA CHKD: KTOJO APPR: NUKITA 2005/02/25 2005/02/28 2005/03/07	GENERAL TOLERANCES (UNLESS SPECIFIED)		DIMENSION STYLE MM ONLY		SCALE ---	DESIGN UNITS METRIC	THIRD ANGLE PROJECTION
	10 UNDER	±0.2	DRAWN BY J. SASAMO		DATE 2004/8/20	TITLE 2.0 BOARD TO BOARD CONN. WAFER ASS'Y -LEAD FREE-	
	10 OVER 30 UNDER	±0.25	CHECKED BY K. TOJO		DATE 2004/8/20	MOLEX INCORPORATED DOCUMENT NO. SD-53290-004 SHEET NO. 1 OF 2	
	30 OVER	±0.3	APPROVED BY N. UKITA		DATE 2004/8/20		
ANGULAR ±3 °		DRAFT WHERE APPLICABLE MUST REMAIN WITHIN DIMENSIONS		MATERIAL NO. SEE CHART		SIZE A3	

10 9 8 7 6 5 4 3 2 1

F

F

E

E

D

D

C

C

B

B

A

A

43	41.64	38	53290-2041	53290-2081	53290-2040	53290-2080	20
41	39.64	36	-1941	-1981	-1940	-1980	19
39	37.64	34	-1841	-1881	-1840	-1880	18
37	35.64	32	-1741	-1781	-1740	-1780	17
35	33.64	30	-1641	-1681	-1640	-1680	16
33	31.64	28	-1541	-1581	-1540	-1580	15
31	29.64	26	-1441	-1481	-1440	-1480	14
29	27.64	24	-1341	-1381	-1340	-1380	13
27	25.64	22	-1241	-1281	-1240	-1280	12
25	23.64	20	-1141	-1181	-1140	-1180	11
23	21.64	18	-1041	-1081	-1040	-1080	10
21	19.64	16	-0941	-0981	-0940	-0980	9
19	17.64	14	-0841	-0881	-0840	-0880	8
17	15.64	12	-0741	-0781	-0740	-0780	7
15	13.64	10	-0641	-0681	-0640	-0680	6
13	11.64	8	-0541	-0581	-0540	-0580	5
11	9.64	6	-0441	-0481	-0440	-0480	4
9	7.64	4	53290-0341	53290-0381	53290-0340	53290-0380	3
C	B	A	MATERIAL NO. COLOR : BLACK 色 : 黒		MATERIAL NO. COLOR : NATURAL (WHITE) 色 : ナチュラル(白)		極数 CKT.

REVISED EC NO: J2005-2460 DRAWN: NAIDA 2005/02/25 CHKD: KTOJO 2005/02/28 APPR: NUKITA 2005/03/07	GENERAL TOLERANCES (UNLESS SPECIFIED)		DIMENSION STYLE MM ONLY	SCALE ---	DESIGN UNITS METRIC	THIRD ANGLE PROJECTION	
	10 UNDER	±0.2	DRAWN BY J. SASAMO	DATE 2004/8/20	TITLE 2.0 BOARD TO BOARD CONN. WAFER ASS'Y -LEAD FREE-		
	10 OVER 30 UNDER	±0.25	CHECKED BY K. TOJO	DATE 2004/8/20			
	30 OVER	±0.3	APPROVED BY N. UKITA	DATE 2004/8/20	MOLEX INCORPORATED DOCUMENT NO. SD-53290-004 SHEET NO. 2 OF 2		
	ANGULAR	±3 °	MATERIAL NO. SEE CHART				
DRAFT WHERE APPLICABLE MUST REMAIN WITHIN DIMENSIONS		SIZE A3	THIS DRAWING CONTAINS INFORMATION THAT IS PROPRIETARY TO MOLEX INCORPORATED AND SHOULD NOT BE USED WITHOUT WRITTEN PERMISSION				