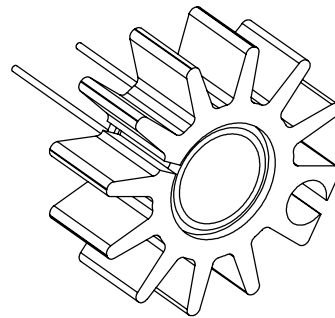
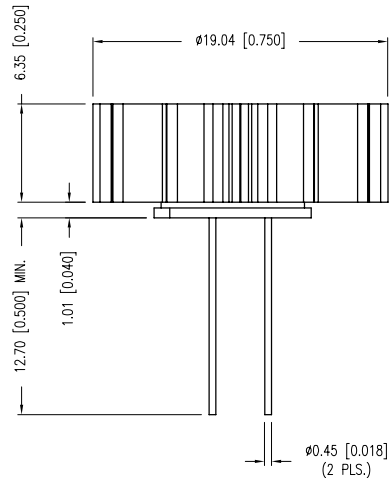
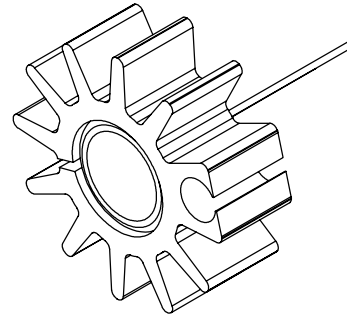
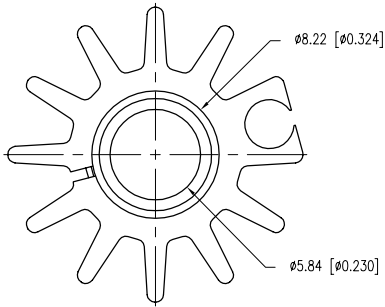
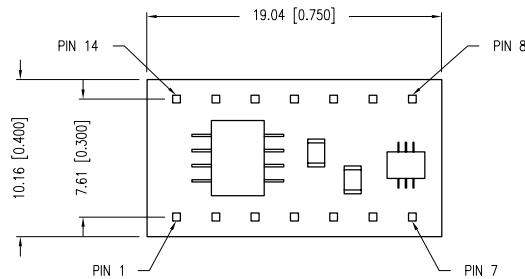
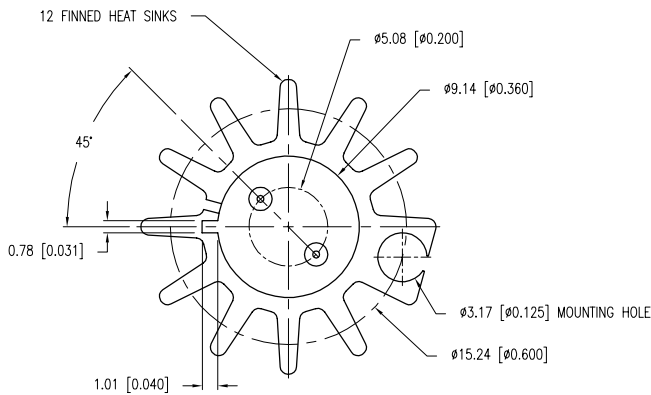


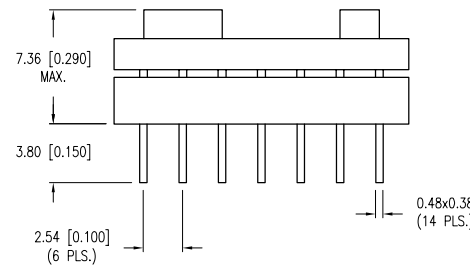
PART NUMBER	SNR-40636	REV.	A
DATE	E.C.N. NUMBER AND REVISION COMMENTS		REV.
03.07.11	E.C.N. #11701.		A



SPECIFICATION	MIN	TYP	MAX
EMITTER VOLTAGE	3V		12V
PULSE FREQUENCY RANGE	2Hz	100Hz	200Hz
FREQUENCY CONTROL VOLTAGE	0V	2.5V	5V
EMITTER RESISTANCE		2.5Ω	
PEAK EMITTER CURRENT (12V)			5A
AVERAGE EMITTER CURRENT (12V)	10mA		220mA
OUTPUT ENABLE VOLTAGE	0V (DISABLE)		5V (ENABLE)
FILAMENT TEMPERATURE (12V)			1000°K
FILAMENT EMISSIVITY		88%	
OPERATING TEMPERATURE	-30°C		+100°C
LIFETIME (MTTF)	26,000 Hrs		
SPECIAL OUTPUT (WITH SAPPHIRE WINDOW)	0.35μm		6μm



PIN	NET LIST
1	+5V
2	NC
3	NC
4	NC
5	NC
6	NC
7	EMITTER
8	GND
9	NC
10	NC
11	PULSE REF
12	ENABLE (GND TO DISABLE)
13	FREQUENCY CONTROL (0 TO +5V)
14	GND



*UNLESS OTHERWISE SPECIFIED TOLERANCES PER DECIMAL PRECISION ARE: X=±1 (±0.039), X.X=±0.5 (±0.020), X.XX=±0.25 (±0.010), X.XXX=±0.127 (±0.005). LEAD SIZE=±0.05 (±0.002), LEAD LENGTH=±0.75 (±0.030). MIN.= +DECIMAL PRECISION MAX.= +0.00 -DECIMAL PRECISION

LUMEX
 Creating LED and LCD Solutions Together™
 290 E. HELEN ROAD
 PALATINE, IL 60067-6976
 PHONE: +1.847.359.2790
 FAX: +1.847.359.6538
 WEB: WWW.LUMEX.COM

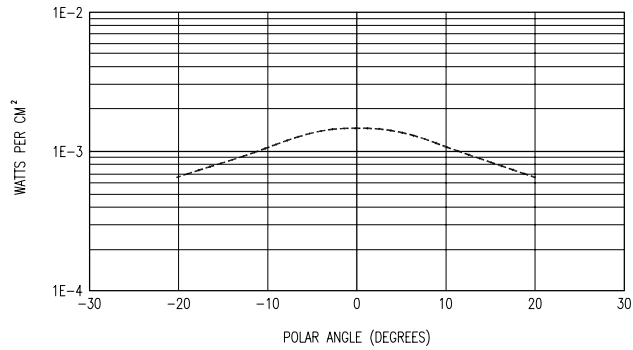
PULSED EMITTER AND DRIVER

THE SPECIFICATIONS MAY CHANGE AT ANY TIME WITHOUT NOTICE DUE TO NEW MATERIALS OR PRODUCT IMPROVEMENT.

CONFIDENTIAL INFORMATION
 THE INFORMATION CONTAINED IN THIS DOCUMENT IS THE PROPERTY OF LUMEX INC. EXCEPT AS SPECIFICALLY AUTHORIZED IN WRITING BY LUMEX INC., THE HOLDER OF THIS DOCUMENT SHALL KEEP ALL INFORMATION CONTAINED HEREIN CONFIDENTIAL AND SHALL PROTECT SAME IN WHOLE OR IN PART FROM DISCLOSURE AND DISSEMINATION TO ALL THIRD PARTIES.

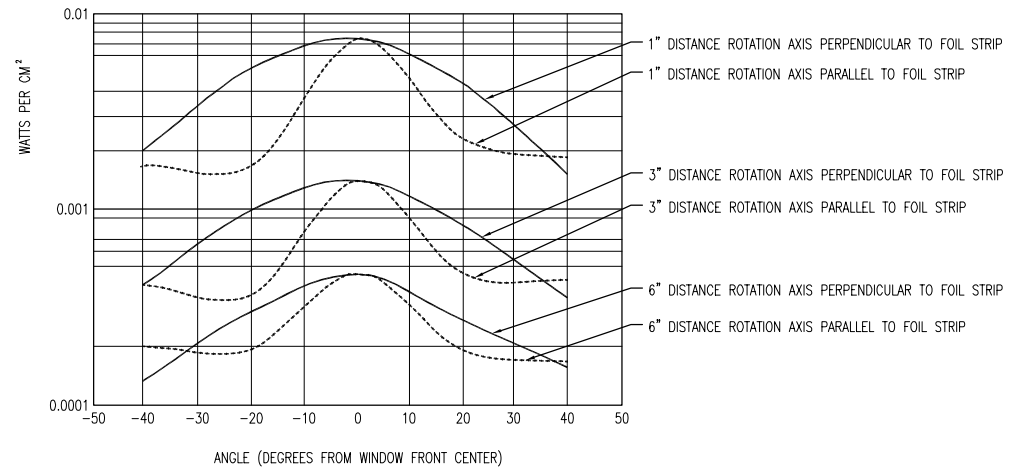
DATE:	02.10.11	DRAWN BY:	AB
PAGE:	1 OF 2	CHKD BY:	KF
SCALE:	NTS	APRVD BY:	BC
UNIT:	mm [INCH]		

AVERAGE DC INTENSITY* (@1000°K) vs. ANGLE (@3in AND 2.78W)

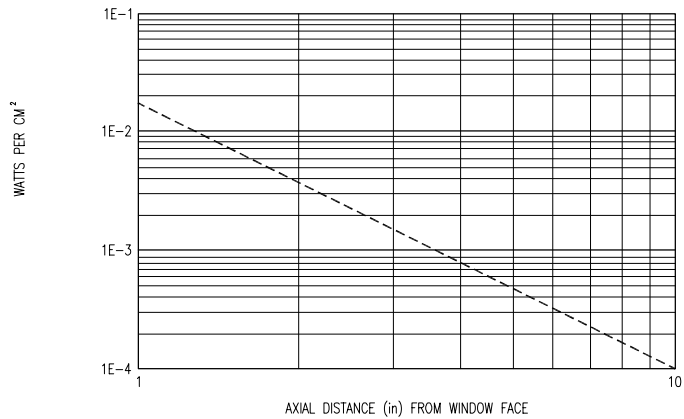


*AVERAGE OF VALUES PARALLEL AND PERPENDICULAR TO ELEMENT

RADIAL OUTPUT INTENSITY DISTRIBUTION vs. ANGLE



DC INTENSITY (@1000°K) vs. DISTANCE (@2.78W)



*UNLESS OTHERWISE SPECIFIED TOLERANCES PER DECIMAL PRECISION ARE: X=±1 (±0.039), X.X=±0.5 (±0.020), X.XX=±0.25 (±0.010), X.XXX=±0.127 (±0.005). LEAD SIZE=±0.05 (±0.002), LEAD LENGTH=±0.75 (±0.030). MIN.= ^{+DECIMAL PRECISION} -0.00 MAX.= ^{+0.00} -DECIMAL PRECISION



290 E. HELEN ROAD
 PALATINE, IL 60067-6976
 PHONE: +1.847.359.2790
 FAX: +1.847.359.6538
 WEB: WWW.LUMEX.COM

PULSED EMITTER AND DRIVER

THE SPECIFICATIONS MAY CHANGE AT ANY TIME WITHOUT NOTICE DUE TO NEW MATERIALS OR PRODUCT IMPROVEMENT.

CONFIDENTIAL INFORMATION

THE INFORMATION CONTAINED IN THIS DOCUMENT IS THE PROPERTY OF LUMEX INC. EXCEPT AS SPECIFICALLY AUTHORIZED IN WRITING BY LUMEX INC., THE HOLDER OF THIS DOCUMENT SHALL KEEP ALL INFORMATION CONTAINED HEREIN CONFIDENTIAL AND SHALL PROTECT SAME IN WHOLE OR IN PART FROM DISCLOSURE AND DISSEMINATION TO ALL THIRD PARTIES.

DATE:	02.10.11	DRAWN BY:	AB
PAGE:	2 OF 2	CHKD BY:	BC
SCALE:	NTS	APRVD BY:	--
UNIT:	mm [INCH]		Ⓟ