

**PLEASE CHECK WWW.MOLEX.COM FOR LATEST PART INFORMATION**

**Part Number:** [0905722503](#)  
**Status:** **Active**  
**Description:** 2.54mm (.100") Pitch QF-50™ Header, Right Angle, Dual Row, Shrouded, DIN Keying, with Latch/Eject Levers, 50 Circuits, 0.25 µm Gold (Au)

**Documents:**

[Drawing \(PDF\)](#) [RoHS Certificate of Compliance \(PDF\)](#)

**Agency Certification**

CSA	LR19980
UL	E29179

**General**

Product Family	Ribbon Cable / Wire Trap Connectors
Series	<a href="#">90572</a>
Comments	Eject Levers
Component Type	PCB Header
Glow-Wire Compliant	No
Product Name	QF-50™

**Physical**

Circuits (Loaded)	50
Circuits (maximum)	50
Color - Resin	Black
Durability (mating cycles max)	100
Entry Angle	90° Angle
Flammability	94V-0
Lock to Mating Part	None
Material - Metal	Brass
Material - Plating Mating	Gold
Material - Plating Termination	Tin
Material - Resin	Polyester
Number of Rows	2
PCB Locator	No
PCB Retention	None
PCB Thickness Recommended (in)	0.062 In
PCB Thickness Recommended (mm)	1.60 mm
Packaging Type	Tray
Pitch - Mating Interface (in)	0.100 In
Pitch - Mating Interface (mm)	2.54 mm
Pitch - Term. Interface (in)	0.100 In
Pitch - Term. Interface (mm)	2.54 mm
Plating min: Mating (µin)	10
Plating min: Mating (µm)	0.25
Plating min: Termination (µin)	120
Plating min: Termination (µm)	3
Polarized to Mating Part	Yes
Polarized to PCB	No
Shrouded	Closed Ends
Stackable	No
Surface Mount Compatible (SMC)	No
Temperature Range - Operating	-25°C to +85°C
Termination Interface: Style	Through Hole
Wire Insulation Diameter	N/A
Wire Size AWG	N/A
Wire/Cable Type	Ribbon Cable



*image - Reference only*

**EU RoHS**

**China RoHS**

**Compliance Status**

**Not Reviewed**

**REACH SVHC**

**Not Reviewed**

**Halogen-Free**

**Status**

**Not Reviewed**

**Need more information on product environmental compliance?**

Email [productcompliance@molex.com](mailto:productcompliance@molex.com)  
 For a multiple part number RoHS Certificate of Compliance, [click here](#)

Please visit the [Contact Us](#) section for any non-product compliance questions.

**Search Parts in this Series**

[90572Series](#)

**Mates With**

[90635 QF-50™ Female Housing](#)

**Electrical**

Current - Maximum per Contact

1A

Voltage - Maximum

250V AC/DC

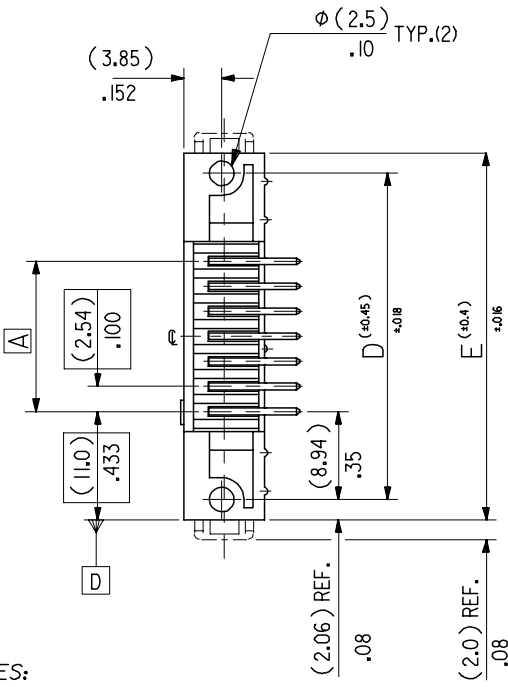
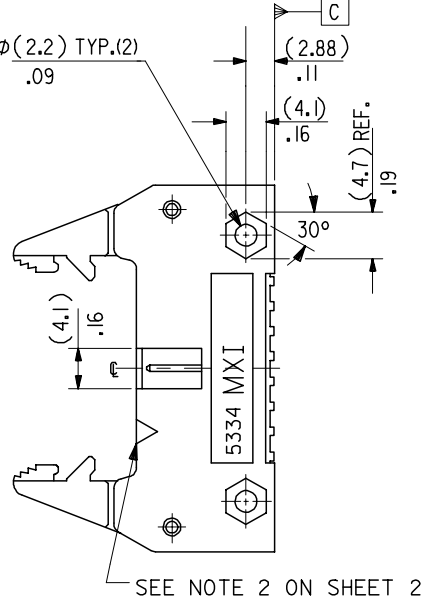
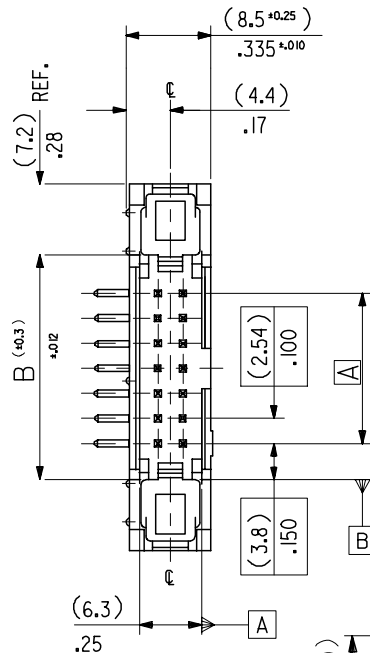
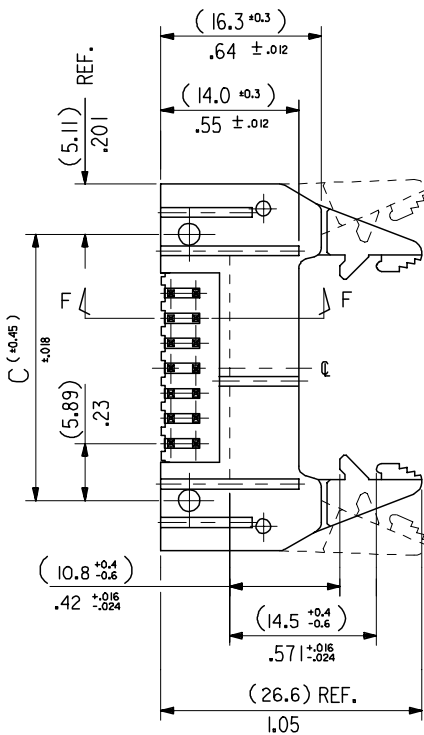
**Material Info****Reference - Drawing Numbers**

Sales Drawing

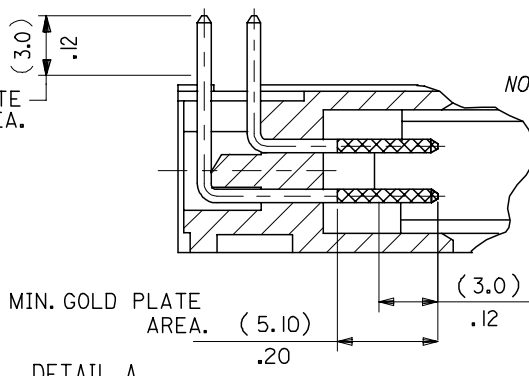
SDA-90572

This document was generated on 06/08/2010

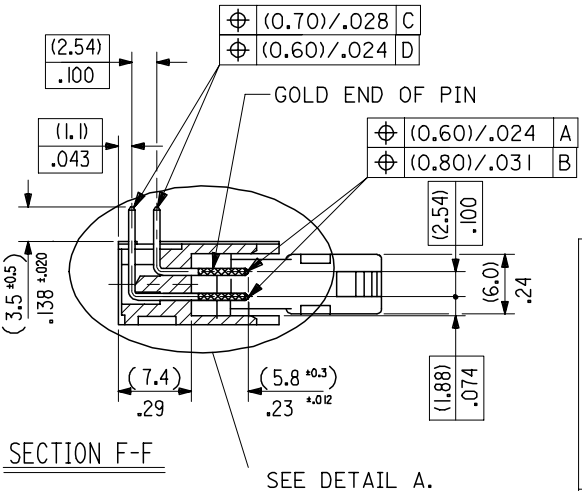
**PLEASE CHECK [WWW.MOLEX.COM](http://WWW.MOLEX.COM) FOR LATEST PART INFORMATION**



MIN. TIN PLATE AREA.



- NOTES:
- 1: FOR MATERIAL SPECIFICATION SEE NOTE 1 ON SHEET 2.
  - 2: FOR RECOMMENDED P.C.B.HOLE PATTERN, PART NOTs AND UNSTATED DIMENSIONS SEE SHEET 2.
  - 3: PRODUCT SPEC.No. : PS -99020-0015.



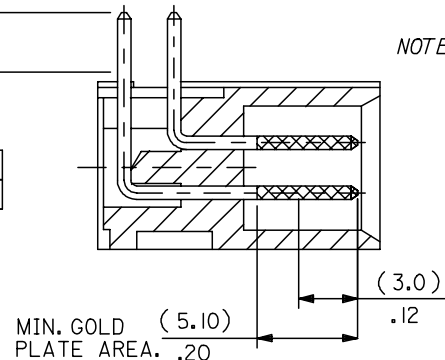
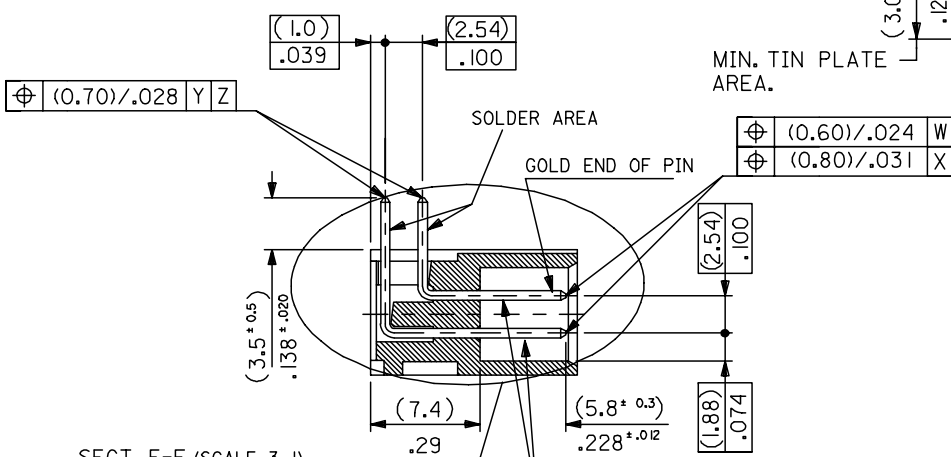
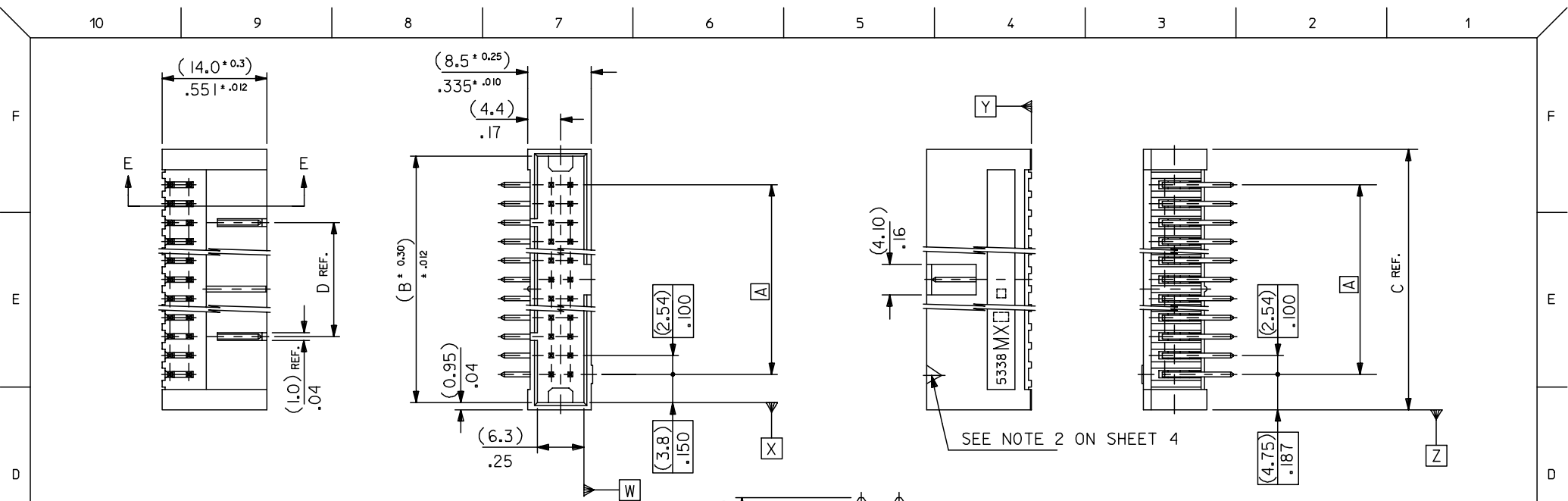
DETAIL A  
DIMENSIONS FOR SELECTIVE PLATING'S, SCALE 4:1

REV	DESCRIPTION	DATE
C	APPR: EOMAHONY	2007/09/14
	CHKD:	2007/09/13
	DRWN: DBYRNES	2007/09/13
	EC NO: E2008-0129	2007/09/13
	CORRECTED PS	

QUALITY SYMBOLS	▽=0
	∇=0
GENERAL TOLERANCES (UNLESS SPECIFIED)	4 PLACES ± --- ± ---
	3 PLACES ± --- ± .008
	2 PLACES ± 0.20 ± .008
	1 PLACE ± 0.20 ± ---
	ANGULAR ± 1/2°
DRAFT WHERE APPLICABLE MUST REMAIN WITHIN DIMENSIONS	

DRAWN BY		DATE	
POB		1990/09/12	
CHECKED BY		DATE	
APPROVED BY		DATE	
MATERIAL NO.		DOCUMENT NO.	
ENTER PART		SDA-90572	

SCALE	DESIGN UNITS	THIRD ANGLE PROJECTION	
2:1	METRIC		
TITLE			
QIK FLECS R/A HEADER DIN EJECT LEVERS FOR IMPROVED WIPE FEMALE			
MOLEX INCORPORATED			
SHEET NO.		1 OF 4	



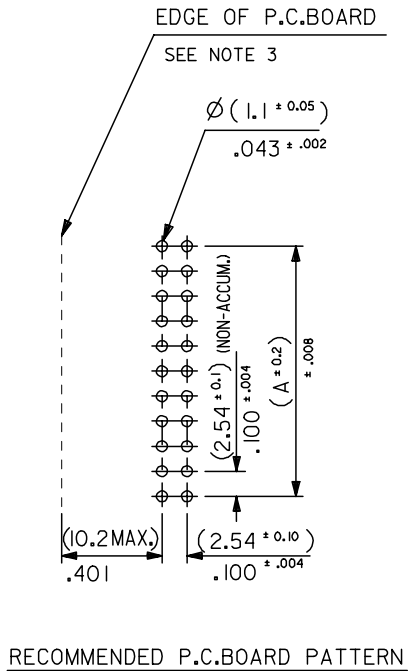
- NOTES:
- FOR MATERIAL SPECIFICATION SEE NOTE 1. ON SHEET 4.
  - FOR RECOMMENDED P.C.B.HOLE PATTERN, PART NOTS AND UNSTATED DIMENSIONS SEE SHEET 4.
  - PRODUCT SPEC. No. : PS-99020-0015.

DETAIL A  
DIMENSIONS FOR SELECTIVE PLATING'S, SCALE 4:1

SECT. E-E (SCALE 3-1)

CORRECTED PS EC NO: E2008-0129 DRWN:DBYRNES 2007/09/13 CHKD: 2007/09/13 APPR:EDMAHONY 2007/09/14	QUALITY SYMBOLS	GENERAL TOLERANCES (UNLESS SPECIFIED)	DIMENSION STYLE	SCALE	DESIGN UNITS	THIRD ANGLE PROJECTION															
	$\nabla=0$ $\sphericalangle=0$	<table border="1"> <tr> <th></th> <th>MM</th> <th>INCH</th> </tr> <tr> <td>4 PLACES</td> <td><math>\pm</math>---</td> <td><math>\pm</math>---</td> </tr> <tr> <td>3 PLACES</td> <td><math>\pm</math>---</td> <td><math>\pm</math>.008</td> </tr> <tr> <td>2 PLACES</td> <td><math>\pm</math>0.20</td> <td><math>\pm</math>.008</td> </tr> <tr> <td>1 PLACE</td> <td><math>\pm</math>0.20</td> <td><math>\pm</math>---</td> </tr> </table>		MM	INCH	4 PLACES	$\pm$ ---	$\pm$ ---	3 PLACES	$\pm$ ---	$\pm$ .008	2 PLACES	$\pm$ 0.20	$\pm$ .008	1 PLACE	$\pm$ 0.20	$\pm$ ---	MM/IN	2:1	METRIC	
		MM	INCH																		
	4 PLACES	$\pm$ ---	$\pm$ ---																		
3 PLACES	$\pm$ ---	$\pm$ .008																			
2 PLACES	$\pm$ 0.20	$\pm$ .008																			
1 PLACE	$\pm$ 0.20	$\pm$ ---																			
DESCRIPTION	<table border="1"> <tr> <th>REV</th> <th>DESCRIPTION</th> </tr> <tr> <td>1</td> <td>ENTER PART</td> </tr> </table>	REV	DESCRIPTION	1	ENTER PART	<table border="1"> <tr> <td>DRAWN BY</td> <td>DATE</td> <td>TITLE</td> </tr> <tr> <td>POB</td> <td>1990/09/17</td> <td>QIK FLECS RIGHT ANGLE HEADER FOR IMPROVED WIPE FEMALE</td> </tr> <tr> <td>CHECKED BY</td> <td>DATE</td> <td></td> </tr> <tr> <td>APPROVED BY</td> <td>DATE</td> <td></td> </tr> </table>	DRAWN BY	DATE	TITLE	POB	1990/09/17	QIK FLECS RIGHT ANGLE HEADER FOR IMPROVED WIPE FEMALE	CHECKED BY	DATE		APPROVED BY	DATE		MOLEX INCORPORATED	DOCUMENT NO. SDA-90572	SHEET NO. 3 OF 4
REV	DESCRIPTION																				
1	ENTER PART																				
DRAWN BY	DATE	TITLE																			
POB	1990/09/17	QIK FLECS RIGHT ANGLE HEADER FOR IMPROVED WIPE FEMALE																			
CHECKED BY	DATE																				
APPROVED BY	DATE																				
DRAFT WHERE APPLICABLE MUST REMAIN WITHIN DIMENSIONS	SIZE A3	THIS DRAWING CONTAINS INFORMATION THAT IS PROPRIETARY TO MOLEX INCORPORATED AND SHOULD NOT BE USED WITHOUT WRITTEN PERMISSION																			

(78.74)/3.100	(86.34)/3.400	(88.24)/3.474	(63.50)/2.500	90572-2641	90572-2642	90572-2643		64
(73.66)/2.900	(81.26)/3.200	(83.16)/3.274	(50.80)/2.000	↑ -2601	↑ -2602	↑ -2603		60
(60.96)/2.400	(68.56)/2.700	(70.46)/2.774	(38.10)/1.500	-2501	-2502	-2503	90572-2509	50
(48.26)/1.900	(55.86)/2.200	(57.76)/2.274	(33.02)/1.300	-2401	-2402	-2403	↑ -2409	40
(40.64)/1.600	(48.24)/1.900	(50.14)/1.974	(30.48)/1.200	-2341	-2342	-2343	-2349	34
(35.56)/1.400	(43.16)/1.700	(45.06)/1.774	(25.40)/1.000	-2301	-2302	-2303	-1309	30
(30.48)/1.200	(38.08)/1.500	(39.98)/1.574	————	-2261	-2262	-2263	-2269	26
(22.86)/.900	(30.46)/1.200	(32.36)/1.274	————	-2201	-2202	-2203	-1209	20
(17.78)/.700	(25.38)/1.000	(27.28)/1.074	————	-2161	-2162	-2163	-2169	16
(15.24)/.600	(22.84)/.900	(24.74)/.974	————	-2141	-2142	-2143	-2149	14
(10.16)/.400	(17.76)/.700	(19.66)/.774	————	↓ 90572-2101	↓ 90572-2102	↓ 90572-2103	↓ 90572-2109	10
A	B	C	D	ENG. NO. GS1 PLATING	ENG. NO. GS2 PLATING	ENG. NO. GS3 PLATING	ENG. NO. PRE TIN	NO. OF CKTS.



**NOTES**

**1. MATERIAL**

HEADER : GLASS FILLED POLYESTER (UL 94V0), COLOUR - BLACK.  
 PINS : BRASS SIZE # (0.635)/.025 .  
 LEVER : GLASS FILLED POLYESTER (UL 94V0), COLOUR - BLACK.  
 SPRING PINS : STEEL

**2. COLOUR IDENTIFICATION MARK FOR PLATING OPTIONS.**

90572-2\*\*1, (1um)/39uin MIN. NICKEL UNDERPLATE. CONTACT AREA  
 GS1 PLATING (0.1um)/4uin MIN. GOLD. SOLDER AREA (3um)/118uin MIN.  
 TIN. COLOUR MARK: YELLOW.  
 90572-2\*\*2, (1um)/39uin MIN. NICKEL UNDERPLATE. CONTACT AREA  
 GS2 PLATING (0.76um)/30uin MIN. GOLD. SOLDER AREA (3um)/118uin MIN.  
 TIN. COLOUR MARK: BROWN.  
 90572-2\*\*3, (1um)/39uin MIN. NICKEL UNDERPLATE. CONTACT AREA  
 GS3 PLATING (0.25um)/10uin MIN. GOLD. SOLDER AREA (3um)/118uin MIN.  
 TIN. COLOUR MARK: BLUE.  
 90572-2\*\*9, (0.5-1um)/20-40uin NICKEL UNDER (1.0-3.0um)/39-118uin TIN.  
 PRE-TIN COLOUR MARK: BLACK, (NO MARK).

3. 10.2mm MAX. TO EDGE OF PCB FOR DAISY CHAIN APPLICATIONS.

4. RECOMMENDED PCB THICKNESS 1.6mm

<b>ADDED NOTE 4</b> EC NO: E2008-0129 DRWN: DBYRNES CHKD: APPR: EOMAHONY 2007/09/13 2007/09/13 2007/09/14	QUALITY SYMBOLS	GENERAL TOLERANCES (UNLESS SPECIFIED)	DIMENSION STYLE	SCALE	DESIGN UNITS	THIRD ANGLE PROJECTION															
	$\nabla = 0$ $\nabla \square = 0$	<table border="1"> <tr> <th></th> <th>mm</th> <th>INCH</th> </tr> <tr> <td>4 PLACES</td> <td>± ---</td> <td>± ---</td> </tr> <tr> <td>3 PLACES</td> <td>± ---</td> <td>± .008</td> </tr> <tr> <td>2 PLACES</td> <td>± 0.20</td> <td>± .008</td> </tr> <tr> <td>1 PLACE</td> <td>± 0.20</td> <td>± ---</td> </tr> </table> ANGULAR ±1/2°		mm	INCH	4 PLACES	± ---	± ---	3 PLACES	± ---	± .008	2 PLACES	± 0.20	± .008	1 PLACE	± 0.20	± ---	MM/IN DRAWN BY DATE POB 1990/07/17 CHECKED BY DATE APPROVED BY DATE	2:1	METRIC	TITLE QIK FLECS RIGHT ANGLE HEADER FOR IMPROVED WIPE FEMALE
		mm	INCH																		
	4 PLACES	± ---	± ---																		
3 PLACES	± ---	± .008																			
2 PLACES	± 0.20	± .008																			
1 PLACE	± 0.20	± ---																			
DRAFT WHERE APPLICABLE MUST REMAIN WITHIN DIMENSIONS	SEE CHART	MATERIAL NO.	DOCUMENT NO.	SHEET NO.	MOLEX INCORPORATED SDA-90572 4 OF 4																
		THIS DRAWING CONTAINS INFORMATION THAT IS PROPRIETARY TO MOLEX INCORPORATED AND SHOULD NOT BE USED WITHOUT WRITTEN PERMISSION																			