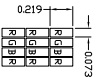


THE DRAWING ON THIS PRINT AND INFORMATION THEREWITH ARE PROPRIETARY TO VARRTRONIX AND SHALL NOT BE USED IN WHOLE OR IN PART WITHOUT WRITTEN PERMISSION OF VARRTRONIX.

(RGB SIZE FOR CUSTOMER REFERENCE ONLY)

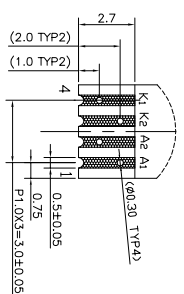
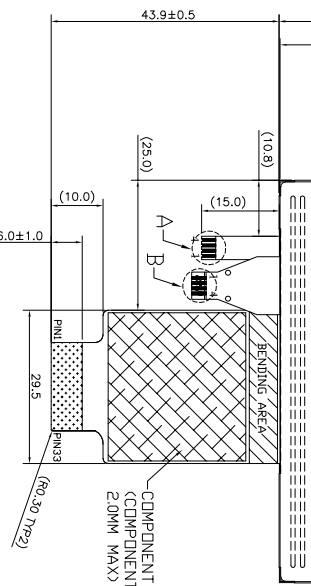


77.45±0.2

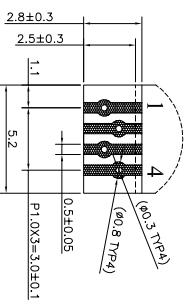
TP 76.90±0.2  
(V.A. 72.08)  
(TP AA=71.20)  
(AA=70.08)

(0.3)  
(2.7)  
(3.2)  
(3.7)

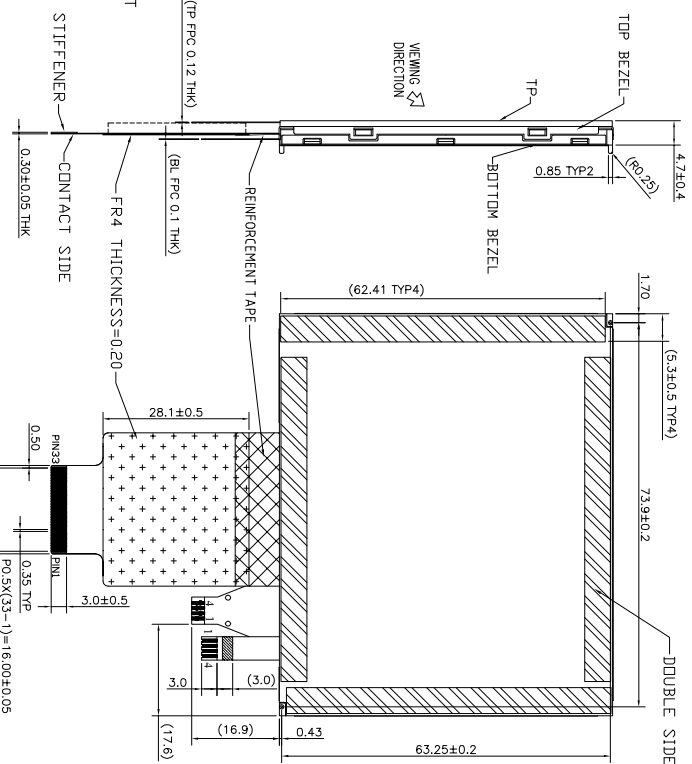
X1 320XRGBX240 X2



DETAIL A



DETAIL B



**PIN ASSIGNMENT.**

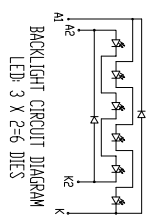
1	2	3	4	5	6	7	8	9	10	11	12	13	14	15	16	17
NC	NC	DEN	YSTNC	HSHYNC	IDOTCLK	R0	R1	R2	R3	R4	R5	R6	R7	G0	G1	G2
G3	G4	G5	G6	G7	R0	B1	B2	B3	B4	B5	B6	B7	RST	GND	VCC	

**BACKLIGHT PIN ASSIGNMENT.**

1	2	3	4
A1	A2	K2	K1

**TP PIN ASSIGNMENT.**

1	2	3	4
X1	X2	X3	X4



LED: 3 X 2-6 DIES

- NOTES:**
- 1. SPECIAL CHARACTERISTIC
  - 2. SAFETY CHARACTERISTIC
  - 3. CRITICAL DIMENSION
  - 4. (C) : REFERENCE DIMENSION



ISSUE	AMENDMENT	DATE

**REMARKS**

**BACKLIGHT**

DISPLAY TYPE	5.5" TFT-AVE. TRANSMISSIVE, 262K COLORS
DISPLAY RESOLUTION	320 X RGB X 240
VIEWING ANGLE	6.0° CLOCK
MUX RATIO AND BIAS RATIO	1/250 DUTY
LED CONTROL DRIVER	HAS 5.5V, HCT0P300
LOGIC VOLTAGE	5.5V
OPERATING TEMPERATURE	20°C TO 70°C
STORAGE TEMPERATURE	20°C TO +80°C
COLOR	WHITE (USE 6 LEDs)
WAVELENGTH	MIN. 3000cd/m²
DRAWING VOLTAGE	TYPE 3000cd/m²
LUMINANCE (CD/M²)	MIN. 3000cd/m²
TYPE	TYPE 3000cd/m²
(ON THE BACKLIGHT SURFACE)	MAX.

**TITLE: LCM SPECIFICATION**

**PROJECT NO: COG-T350MCQV-03**

**CUSTOMER REF: IN**

**TOLERANCE UNLESS OTHERWISE SPECIFIED:** XX ±0.3  
XXX ±0.1  
DIMENSIONS IN MM ANGL AR: ±1°

**MATERIAL: N/A FINISH: N/A**

**SCALE: DO NOT DIM SCALE OVERALL THK: N/A**

**THIRD ANGLE PROJECTION**

NAME	SIGN	DATE
DRAWN: ZL XIE		10.12.16
CHECKED: JUDY ZHU		
APPROVED: PRIT LEE		
ITEM NO.: COG-T350MCQV-03		
DESCRIPTION: COG-T350MCQV-03 SPEC		
FILE NO.: COG-T350MCQV-03 ROLDWG		
REV: 0		
SHEET 1 OF 1		