



Complete Quad, 14-Bit, High Accuracy, Serial Input, Bipolar Voltage Output DAC

Preliminary Technical Data

AD5744R

FEATURES

- Complete quad, 14-bit digital-to-analog converter (DAC)
- Programmable output range: ± 10 V, ± 10.2564 V, or ± 10.5263 V
- ± 1 LSB max INL error, ± 1 LSB max DNL error
- Low noise: 60 nV/ $\sqrt{\text{Hz}}$
- Settling time: 10 μs max
- Integrated reference buffers
- Internal reference: 10 ppm/ $^{\circ}\text{C}$
- On-chip die temperature sensor
- Output control during power-up/brownout
- Programmable short-circuit protection
- Simultaneous updating via LDAC
- Asynchronous $\overline{\text{CLR}}$ to zero code
- Digital offset and gain adjust
- Logic output control pins
- DSP-/microcontroller-compatible serial interface
- Temperature range: -40°C to $+85^{\circ}\text{C}$
- iCMOS™ process technology¹

APPLICATIONS

- Industrial automation
- Open-/closed-loop servo control
- Process control
- Data acquisition systems
- Automatic test equipment
- Automotive test and measurement
- High accuracy instrumentation

GENERAL DESCRIPTION

The AD5744R is a quad, 14-bit, serial input, bipolar voltage output digital-to-analog converter that operates from supply voltages of ± 11.4 V up to ± 16.5 V. Nominal full-scale output range is ± 10 V. The AD5744R provides integrated output amplifiers, reference buffers and proprietary power-up/power-down control circuitry. The parts also feature a digital I/O port, which is programmed via the serial interface and an analog temperature sensor. The part incorporates digital offset and gain adjust registers per channel.

The AD5744R is a high performance converter that offers guaranteed monotonicity, integral nonlinearity (INL) of ± 1 LSB, low noise, and 10 μs settling time. The AD5744R includes an on-chip 5 V reference with a reference tempco of 10 ppm/ $^{\circ}\text{C}$ maximum. During power-up (when the supply voltages are changing), VOUT is clamped to 0 V via a low impedance path.

The AD5744R uses a serial interface that operates at clock rates of up to 30 MHz and is compatible with DSP and microcontroller interface standards. Double buffering allows the simultaneous updating of all DACs. The input coding is programmable to either twos complement or offset binary formats. The asynchronous clear function clears all DAC registers to either bipolar zero or zero scale depending on the coding used. The AD5744R is ideal for both closed-loop servo control and open-loop control applications. The AD5744R is available in a 32-lead TQFP, and offers guaranteed specifications over the -40°C to $+85^{\circ}\text{C}$ industrial temperature range. See Figure 1, the functional block diagram.

¹ For analog systems designers within industrial/instrumentation equipment OEMs who need high performance ICs at higher voltage levels, iCMOS is a technology platform that enables the development of analog ICs capable of 30 V and operating at ± 15 V supplies while allowing dramatic reductions in power consumption and package size, and increased ac and dc performance.

Rev. PrA

Information furnished by Analog Devices is believed to be accurate and reliable. However, no responsibility is assumed by Analog Devices for its use, nor for any infringements of patents or other rights of third parties that may result from its use. Specifications subject to change without notice. No license is granted by implication or otherwise under any patent or patent rights of Analog Devices. Trademarks and registered trademarks are the property of their respective owners.

One Technology Way, P.O. Box 9106, Norwood, MA 02062-9106, U.S.A.
Tel: 781.329.4700 www.analog.com
Fax: 781.461.3113 ©2006 Analog Devices, Inc. All rights reserved.

TABLE OF CONTENTS

Features	1	Asynchronous Clear ($\overline{\text{CLR}}$).....	22
Applications.....	1	Function Register	23
General Description	1	Data Register	24
Revision History	2	Coarse Gain Register	24
Functional Block Diagram	3	Fine Gain Register	24
Specifications.....	4	AD5744R Features.....	25
AC Performance Characteristic.....	6	Analog Output Control	25
Timing Characteristics.....	7	Programmable Short-Circuit Protection	25
Absolute Maximum Ratings.....	10	Digital I/O Port.....	25
ESD Caution.....	10	die Temperature Sensor	25
Pin Configuration and Function Descriptions.....	11	Local Ground Offset Adjust.....	25
Terminology	13	Applications Information	26
Typical Performance Characteristics	15	Typical Operating Circuit	26
Theory of Operation	20	Layout Guidelines.....	27
DAC Architecture.....	20	Galvanically Isolated Interface	27
Reference Buffers.....	20	Microprocessor Interfacing.....	27
Serial Interface	20	Outline Dimensions	30
Simultaneous Updating via $\overline{\text{LDAC}}$	21	Ordering Guide	30
Transfer Function	22		

REVISION HISTORY

4/06—Revision PrA: Preliminary Version

Removed AD5744, AD5764, and AD5764R.....	Universal
Changes to Ordering Guide	2

FUNCTIONAL BLOCK DIAGRAM

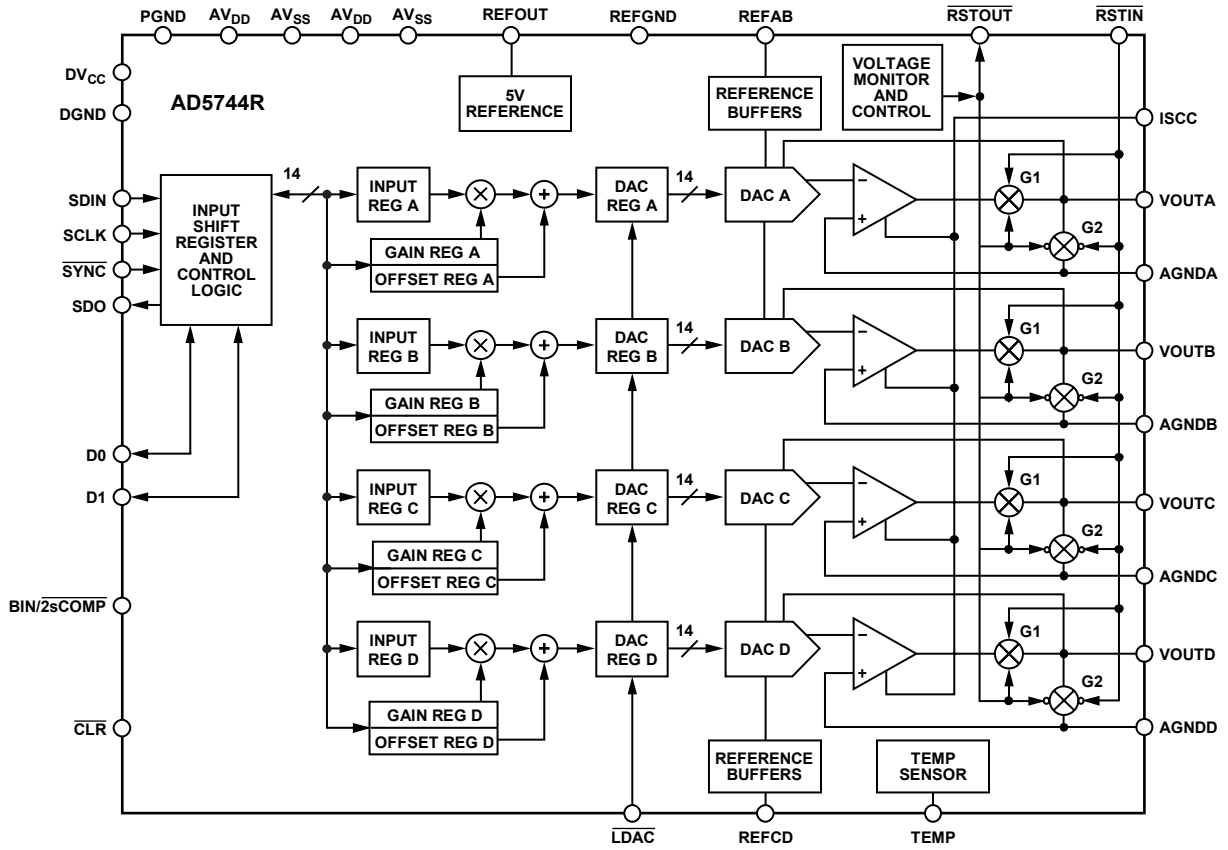


Figure 1. Functional Block Diagram

08065-001

SPECIFICATIONS

$AV_{DD} = 11.4\text{ V to }16.5\text{ V}$, $AV_{SS} = -11.4\text{ V to }-16.5\text{ V}$, $AGND = DGND = REFGND = PGND = 0\text{ V}$; $REFAB = REFCD = 5\text{ V external}$; $DV_{CC} = 2.7\text{ V to }5.25\text{ V}$, $R_{LOAD} = 10\text{ k}\Omega$, $C_L = 200\text{ pF}$. All specifications T_{MIN} to T_{MAX} , unless otherwise noted.

Table 1.

Parameter	B Grade ¹	C Grade ¹	Unit	Test Conditions/Comments
ACCURACY				
Resolution	14	14	Bits	Outputs unloaded
Relative Accuracy (INL)	± 2	± 1	LSB max	
Differential Nonlinearity	± 1	± 1	LSB max	Guaranteed monotonic
Bipolar Zero Error	± 2	± 2	mV max	At 25°C; error at other temperatures obtained using bipolar zero TC
Bipolar Zero TC ²	± 2	± 2	ppm FSR/°C max	
Zero-Scale Error	± 2	± 2	mV max	At 25°C; error at other temperatures obtained using zero scale TC
Zero-Scale TC ²	± 2	± 2	ppm FSR/°C max	
Gain Error	± 0.02	± 0.02	% FSR max	At 25°C; error at other temperatures obtained using gain TC
Gain TC ²	± 2	± 2	ppm FSR/°C max	
DC Crosstalk ²	0.125	0.125	LSB max	
REFERENCE INPUT/OUTPUT				
Reference Input ²				
Reference Input Voltage	5	5	V nominal	$\pm 1\%$ for specified performance
DC Input Impedance	1	1	M Ω min	Typically 100 M Ω
Input Current	± 10	± 10	μA max	Typically $\pm 30\text{ nA}$
Reference Range	1/7	1/7	V min/V max	
Reference Output				
Output Voltage	4.997/5.003	4.997/5.003	V min/V max	At 25°C
Reference TC	± 10	± 10	ppm/°C max	
Load ²	1	1	M Ω min	
Output Noise ² (0.1 Hz to 10 Hz)	18	18	μV p-p typ	
Noise Spectral Density ²	75	75	nV/ $\sqrt{\text{Hz}}$ typ	At 10 kHz
OUTPUT CHARACTERISTICS²				
Output Voltage Range ³	± 10.5263	± 10.5263	V min/V max	$AV_{DD}/AV_{SS} = \pm 11.4\text{ V}$, $REFIN = 5\text{ V}$
	± 14	± 14	V min/V max	$AV_{DD}/AV_{SS} = \pm 16.5\text{ V}$, $REFIN = 7\text{ V}$
Output Voltage Drift vs. Time	± 13	± 13	ppm FSR/500 hours typ	
	± 15	± 15	ppm FSR/1000 hours typ	
Short Circuit Current	10	10	mA typ	$R_{SCC} = 6\text{ k}\Omega$, see Figure 31
Load Current	± 1	± 1	mA max	For specified performance
Capacitive Load Stability				
$R_L = \infty$	200	200	pF max	
$R_L = 10\text{ k}\Omega$	1000	1000	pF max	
DC Output Impedance	0.3	0.3	Ω max	

Parameter	B Grade ¹	C Grade ¹	Unit	Test Conditions/Comments
DIGITAL INPUTS ²				DV _{CC} = 2.7 V to 5.25 V, JEDEC compliant
V _{IH} , Input High Voltage	2	2	V min	
V _{IL} , Input Low Voltage	0.8	0.8	V max	
Input Current	±1	±1	µA max	Per pin
Pin Capacitance	10	10	pF max	Per pin
DIGITAL OUTPUTS (D0, D1, SDO) ²				
Output Low Voltage	0.4	0.4	V max	DV _{CC} = 5 V ± 5%, sinking 200 µA
Output High Voltage	DV _{CC} - 1	DV _{CC} - 1	V min	DV _{CC} = 5 V ± 5%, sourcing 200 µA
Output Low Voltage	0.4	0.4	V max	DV _{CC} = 2.7 V to 3.6 V, sinking 200 µA
Output High Voltage	DV _{CC} - 0.5	DV _{CC} - 0.5	V min	DV _{CC} = 2.7 V to 3.6 V, sourcing 200 µA
High Impedance Leakage Current	±1	±1	µA max	SDO only
High Impedance Output Capacitance	5	5	pF typ	SDO only
DIE TEMPERATURE SENSOR ²				
Output Voltage at 25°C	1.4	1.4	V typ	Die temperature
Output Voltage Scale Factor	5	5	mV/°C typ	
Output Voltage Range	1.175/1.9	1.175/1.9	V min/V max	-40°C to 105°C
Output Load Current	200	200	µA max	Current source only
Power-On Time	80	80	ms typ	
POWER REQUIREMENTS				
AV _{DD} /AV _{SS}	11.4/16.5	11.4/16.5	V min/V max	
DV _{CC}	2.7/5.25	2.7/5.25	V min/V max	
Power Supply Sensitivity ²				
ΔV _{OUT} /ΔAV _{DD}	-85	-85	dB typ	Outputs unloaded
AI _{DD}	3.5	3.5	mA/channel max	Outputs unloaded
AI _{SS}	2.75	2.75	mA/channel max	Outputs unloaded
DI _{CC}	1.2	1.2	mA max	V _{IH} = DV _{CC} , V _{IL} = DGND, 750 µA typ
Power Dissipation	275	275	mW typ	±12 V operation output unloaded

¹ Temperature range: -40°C to +85°C; typical at +25°C. Device functionality is guaranteed to +105°C with degraded performance.

² Guaranteed by design and characterization; not production tested.

³ Output amplifier headroom requirement is 1.4 V minimum.

AC PERFORMANCE CHARACTERISTIC

$AV_{DD} = 11.4\text{ V to }16.5\text{ V}$, $AV_{SS} = -11.4\text{ V to }-16.5\text{ V}$, $AGND = DGND = REFGND = PGND = 0\text{ V}$; $REFAB = REFCD = 5\text{ V external}$; $DV_{CC} = 2.7\text{ V to }5.25\text{ V}$, $R_{LOAD} = 10\text{ k}\Omega$, $C_L = 200\text{ pF}$. All specifications T_{MIN} to T_{MAX} , unless otherwise noted. Guaranteed by design and characterization, not production tested.

Table 2.

Parameter	B Grade	C Grade	Unit	Test Conditions/Comments
DYNAMIC PERFORMANCE¹				
Output Voltage Settling Time	8	8	$\mu\text{s typ}$	Full-scale step to $\pm 1\text{ LSB}$
	10	10	$\mu\text{s max}$	
Slew Rate	2	2	$\mu\text{s typ}$	512 LSB step settling
	5	5	$\text{V}/\mu\text{s typ}$	
Digital-to-Analog Glitch Energy	8	8	$\text{nV}\cdot\text{s typ}$	
Glitch Impulse Peak Amplitude	25	25	mV max	
Channel-to-Channel Isolation	80	80	dB typ	
DAC-to-DAC Crosstalk	8	8	$\text{nV}\cdot\text{s typ}$	
Digital Crosstalk	2	2	$\text{nV}\cdot\text{s typ}$	
Digital Feedthrough	2	2	$\text{nV}\cdot\text{s typ}$	Effect of input bus activity on DAC outputs
Output Noise (0.1 Hz to 10 Hz)	0.025	0.025	LSB p-p typ	
Output Noise (0.1 Hz to 100 kHz)	45	45	$\mu\text{V rms max}$	
1/f Corner Frequency	1	1	kHz typ	
Output Noise Spectral Density	60	60	$\text{nV}/\sqrt{\text{Hz typ}}$	Measured at 10 kHz
Complete System Output Noise Spectral Density ²	80	80	$\text{nV}/\sqrt{\text{Hz typ}}$	Measured at 10 kHz

¹ Guaranteed by design and characterization; not production tested.

² Includes noise contributions from integrated reference buffers, 14-bit DAC and output amplifier.

TIMING CHARACTERISTICS

$AV_{DD} = 11.4\text{ V to }16.5\text{ V}$, $AV_{SS} = -11.4\text{ V to }-16.5\text{ V}$, $AGND = DGND = REFGND = PGND = 0\text{ V}$; $REFAB = REFCD = 5\text{ V external}$; $DV_{CC} = 2.7\text{ V to }5.25\text{ V}$, $R_{LOAD} = 10\text{ k}\Omega$, $C_L = 200\text{ pF}$. All specifications T_{MIN} to T_{MAX} , unless otherwise noted.

Table 3.

Parameter ^{1, 2, 3}	Limit at T_{MIN} , T_{MAX}	Unit	Description
t_1	33	ns min	SCLK cycle time
t_2	13	ns min	SCLK high time
t_3	13	ns min	SCLK low time
t_4	13	ns min	\overline{SYNC} falling edge to SCLK falling edge setup time
t_5^4	13	ns min	24 th SCLK falling edge to \overline{SYNC} rising edge
t_6	40	ns min	Minimum \overline{SYNC} high time
t_7	2	ns min	Data setup time
t_8	5	ns min	Data hold time
t_9	1.4	$\mu\text{s min}$	\overline{SYNC} rising edge to \overline{LDAC} falling edge (all DACs updated)
	400	ns min	\overline{SYNC} rising edge to \overline{LDAC} falling edge (single DAC updated)
t_{10}	10	ns min	\overline{LDAC} pulse width low
t_{11}	500	ns max	\overline{LDAC} falling edge to DAC output response time
t_{12}	10	$\mu\text{s max}$	DAC output settling time
t_{13}	10	ns min	\overline{CLR} pulse width low
t_{14}	2	$\mu\text{s max}$	\overline{CLR} pulse activation time
$t_{15}^{5, 6}$	25	ns max	SCLK rising edge to SDO valid
t_{16}	20	ns min	\overline{SYNC} rising edge to SCLK rising edge
t_{17}	2	$\mu\text{s min}$	\overline{SYNC} rising edge to DAC output response time ($LDAC = 0$)
t_{18}	170	ns min	\overline{LDAC} falling edge to \overline{SYNC} rising edge

¹ Guaranteed by design and characterization; not production tested.

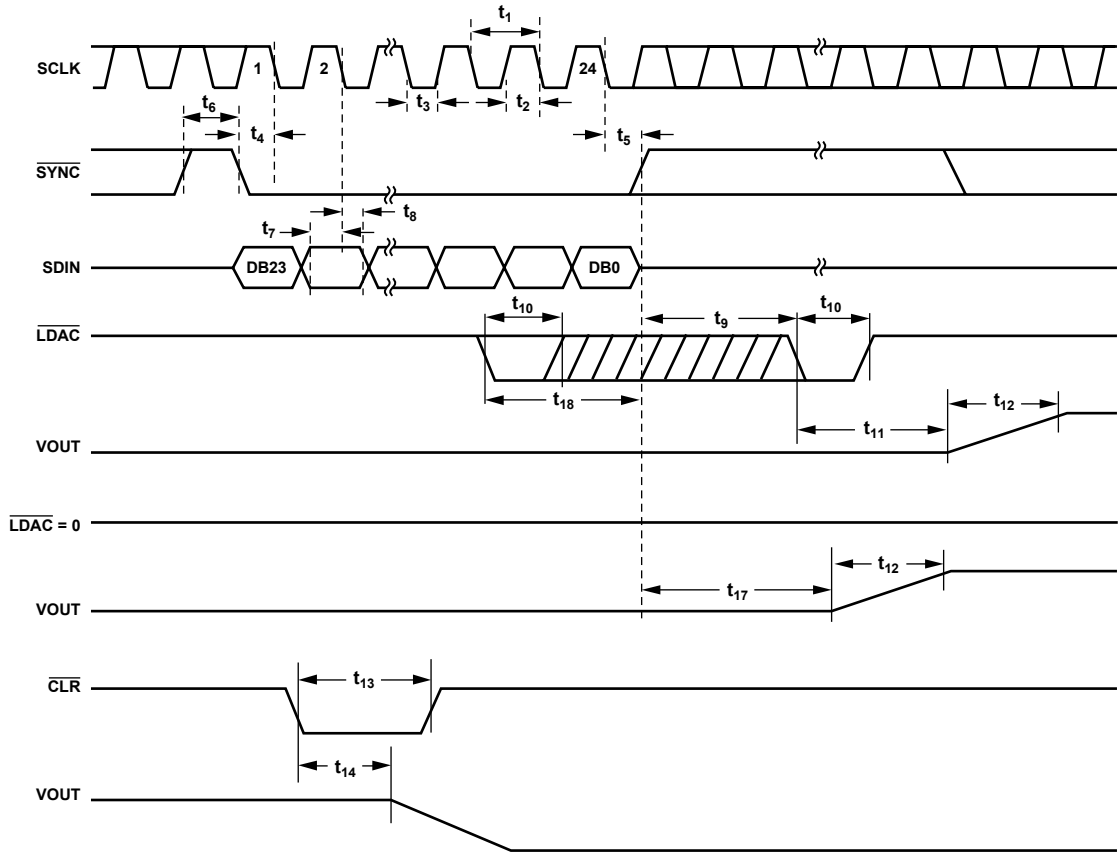
² All input signals are specified with $t_r = t_f = 5\text{ ns}$ (10% to 90% of DV_{CC}) and timed from a voltage level of 1.2 V.

³ See Figure 2, Figure 3, and Figure 4.

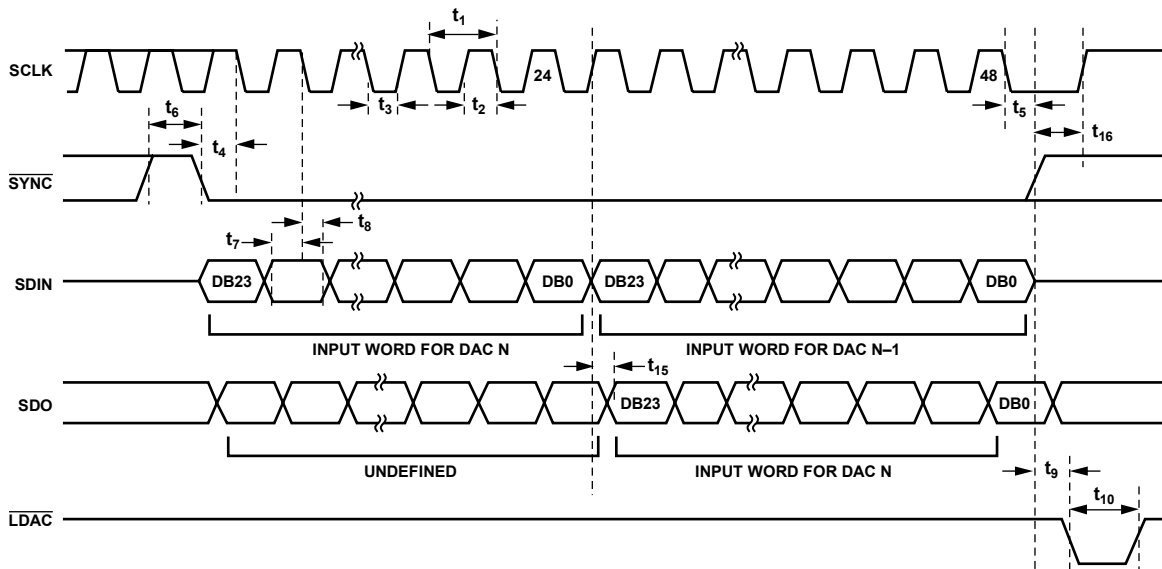
⁴ Standalone mode only.

⁵ Measured with the load circuit of Figure 5.

⁶ Daisy-chain mode only.



06065-002



06065-003

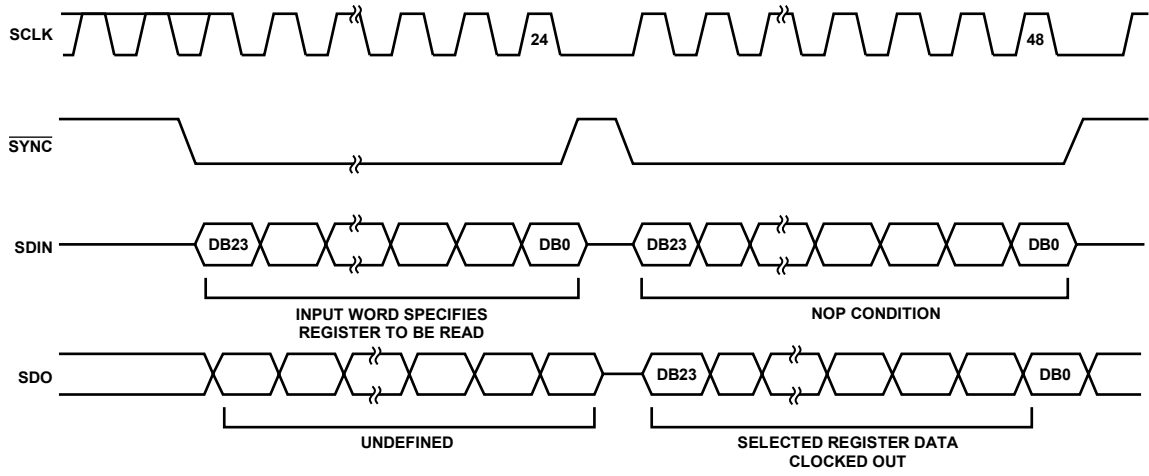


Figure 4. Readback Timing Diagram

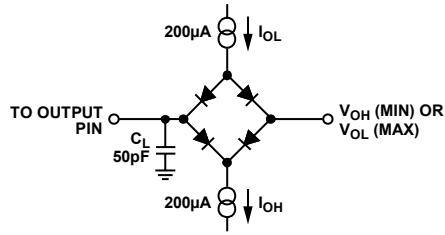


Figure 5. Load Circuit for SDO Timing Diagram

06065-004

06065-005

ABSOLUTE MAXIMUM RATINGS

$T_A = 25^\circ\text{C}$ unless otherwise noted. Transient currents of up to 100 mA do not cause SCR latch-up.

Table 4.

Parameter	Rating
AV_{DD} to AGND, DGND	-0.3 V to +17 V
AV_{SS} to AGND, DGND	+0.3 V to -17 V
DV_{CC} to DGND	-0.3 V to +7 V
Digital Inputs to DGND	-0.3 V to $DV_{CC} + 0.3$ V or 7 V (whichever is less)
Digital Outputs to DGND	-0.3 V to $DV_{CC} + 0.3$ V
REFIN to AGND, PGND	-0.3 V to $AV_{DD} + 0.3$ V
REFOUT to AGND	AV_{SS} to AV_{DD}
TEMP	AV_{SS} to AV_{DD}
VOUTA, VOUTB, VOUTC, VOUTD to AGND	AV_{SS} to AV_{DD}
AGND to DGND	-0.3 V to +0.3 V
Operating Temperature Range	
Industrial	-40°C to +85°C
Storage Temperature Range	-65°C to +150°C
Junction Temperature (T_J max)	150°C
32-Lead TQFP	
θ_{JA} Thermal Impedance	65°C/W
θ_{JC} Thermal Impedance	12°C/W
Reflow Soldering	
Peak Temperature	220°C
Time at Peak Temperature	10 sec to 40 sec

Stresses above those listed under Absolute Maximum Ratings may cause permanent damage to the device. This is a stress rating only; functional operation of the device at these or any other conditions above those listed in the operational sections of this specification is not implied. Exposure to absolute maximum rating conditions for extended periods may affect device reliability.

ESD CAUTION

ESD (electrostatic discharge) sensitive device. Electrostatic charges as high as 4000 V readily accumulate on the human body and test equipment and can discharge without detection. Although this product features proprietary ESD protection circuitry, permanent damage may occur on devices subjected to high energy electrostatic discharges. Therefore, proper ESD precautions are recommended to avoid performance degradation or loss of functionality.



PIN CONFIGURATION AND FUNCTION DESCRIPTIONS

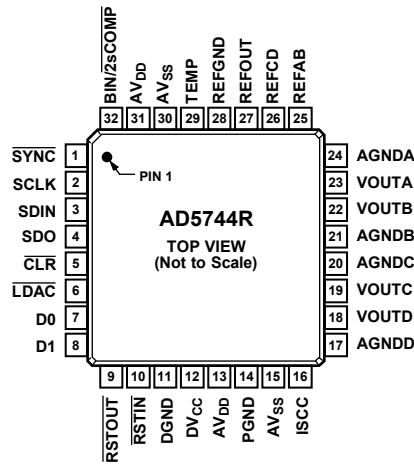


Figure 6. Pin Configuration

Table 5. Pin Function Descriptions

Pin No.	Mnemonic	Description
1	SYNC	Active <u>Low</u> Input. This is the frame synchronization signal for the serial interface. While <u>SYNC</u> is low, data is transferred in on the falling edge of SCLK.
2	SCLK	Serial Clock Input. Data is clocked into the shift register on the falling edge of SCLK. This operates at clock speeds up to 30 MHz.
3	SDIN	Serial Data Input. Data must be valid on the falling edge of SCLK.
4	SDO	Serial Data Output. Used to clock data from the serial register in daisy-chain or readback mode.
5 ¹	<u>CLR</u> ¹	Negative Edge Triggered Input. Asserting this pin sets the DAC registers to 0x0000.
6	<u>LDAC</u>	Load DAC. Logic input. This is used to update the DAC registers and consequently the analog outputs. When tied <u>permanently low</u> , the addressed DAC register is updated on the rising edge of SYNC. If LDAC is held high during the write cycle, the DAC input register is updated but the output update is held off until the falling edge of LDAC. In this mode, all analog outputs can be updated simultaneously on the falling edge of LDAC. The LDAC pin must not be left unconnected.
7, 8	D0, D1	D0 and D1 form a digital I/O port. The user can set up these pins as inputs or outputs that are configurable and readable over the serial interface. When configured as inputs, these pins have weak internal pull-ups to DV _{CC} . When programmed as outputs, D0 and D1 are referenced by DV _{CC} and DGND.
9	<u>RSTOUT</u>	Reset Logic Output. This is the output from the on-chip voltage monitor used in the reset circuit. If desired, it can be used to control other system components.
10	<u>RSTIN</u>	Reset Logic Input. This input allows external access to the internal reset logic. Applying a Logic 0 to this input clamps the DAC outputs to 0 V. In normal operation, RSTIN should be tied to Logic 1. Register values remain unchanged.
11	DGND	Digital Ground Pin.
12	DV _{CC}	Digital Supply Pin. Voltage ranges from 2.7 V to 5.25 V.
13, 31	AV _{DD}	Positive Analog Supply Pins. Voltage ranges from 11.4 V to 16.5 V.
14	PGND	Ground Reference Point for Analog Circuitry.
15, 30	AV _{SS}	Negative Analog Supply Pins. Voltage ranges from -11.4 V to -16.5 V.
16	ISCC	This pin is used in association with an optional external resistor to AGND to program the short-circuit current of the output amplifiers. Refer to the Features section for further details.
17	AGNDD	Ground Reference Pin for DAC D Output Amplifier.
18	VOUSD	Analog Output Voltage of DAC D. Buffered output with a nominal full-scale output range of ±10 V. The output amplifier is capable of directly driving a 10 kΩ, 200 pF load.

Pin No.	Mnemonic	Description
19	VOUTC	Analog Output Voltage of DAC C. Buffered output with a nominal full-scale output range of ± 10 V. The output amplifier is capable of directly driving a 10 k Ω , 200 pF load.
20	AGNDC	Ground Reference Pin for DAC C Output Amplifier.
21	AGNDB	Ground Reference Pin for DAC B Output Amplifier.
22	VOUTB	Analog Output Voltage of DAC B. Buffered output with a nominal full-scale output range of ± 10 V. The output amplifier is capable of directly driving a 10 k Ω , 200 pF load.
23	VOUTA	Analog Output Voltage of DAC A. Buffered output with a nominal full-scale output range of ± 10 V. The output amplifier is capable of directly driving a 10 k Ω , 200 pF load.
24	AGNDA	Ground Reference Pin for DAC A Output Amplifier.
25	REFAB	External Reference Voltage Input for Channel A and Channel B. Reference input range is 1 V to 7 V; programs the full-scale output voltage. REFIN = 5 V for specified performance.
26	REFCD	External Reference Voltage Input for Channel C and Channel D. Reference input range is 1 V to 7 V; programs the full-scale output voltage. REFIN = 5 V for specified performance.
27	REFOUT	Reference Output. This is the reference output from the internal voltage reference. The internal reference is 5 V \pm 3 mV at 25°C, with a reference tempco of 10 ppm/°C.
28	REFGND	Reference Ground Return for the Reference Generator and Buffers.
29	TEMP	This pin provides an output voltage proportional to temperature. The output voltage is 1.4 V typical at 25°C die temperature; variation with temperature is 5 mV/°C.
32	BIN/ $\overline{2sCOMP}$	Determines the DAC Coding. This pin should be hardwired to either DV _{CC} or DGND. When hardwired to DV _{CC} , input coding is offset binary. When hardwired to DGND, input coding is twos complement (see Table 6).

¹ Internal pull-up device on this logic input. Therefore, it can be left floating and defaults to a logic high condition.

TERMINOLOGY

Relative Accuracy or Integral nonlinearity (INL)

For the DAC, relative accuracy or integral nonlinearity (INL) is a measure of the maximum deviation, in LSBs, from a straight line passing through the endpoints of the DAC transfer function.

Differential Nonlinearity (DNL)

Differential nonlinearity is the difference between the measured change and the ideal 1 LSB change between any two adjacent codes. A specified differential nonlinearity of ± 1 LSB maximum ensures monotonicity. This DAC is guaranteed monotonic.

Monotonicity

A DAC is monotonic if the output either increases or remains constant for increasing digital input code. The AD5744R is monotonic over its full operating temperature range.

Bipolar Zero Error

Bipolar zero error is the deviation of the analog output from the ideal half-scale output of 0 V when the DAC register is loaded with 0x8000 (offset binary coding) or 0x0000 (twos complement coding). A plot of bipolar zero error vs. temperature can be seen in Figure 22.

Bipolar Zero TC

Bipolar zero TC is the measure of the change in the bipolar zero error with a change in temperature. It is expressed in ppm FSR/ $^{\circ}$ C.

Full-Scale Error

Full-scale error is a measure of the output error when full-scale code is loaded to the DAC register. Ideally the output voltage should be $2 \times V_{REF} - 1$ LSB. Full-scale error is expressed in percentage of full-scale range.

Negative Full-Scale Error/Zero Scale Error

Negative full-scale error is the error in the DAC output voltage when 0x0000 (offset binary coding) or 0x8000 (twos complement coding) is loaded to the DAC register. Ideally, the output voltage should be $-2 \times V_{REF}$. A plot of zero-scale error vs. temperature can be seen in Figure 21.

Output Voltage Settling Time

Output voltage settling time is the amount of time it takes for the output to settle to a specified level for a full-scale input change.

Slew Rate

The slew rate of a device is a limitation in the rate of change of the output voltage. The output slewing speed of a voltage-output D/A converter is usually limited by the slew rate of the amplifier used at its output. Slew rate is measured from 10% to 90% of the output signal and is given in V/ μ s.

Gain Error

Gain error is a measure of the span error of the DAC. It is the deviation in slope of the DAC transfer characteristic from the ideal, expressed as a percentage of the full-scale range. A plot of gain error vs. temperature can be seen in Figure 23.

Total Unadjusted Error

Total unadjusted error (TUE) is a measure of the output error considering all the various errors. A plot of total unadjusted error vs. reference can be seen in Figure 19.

Zero-Scale Error TC

Zero-scale error TC is a measure of the change in zero-scale error with a change in temperature. Zero-scale error TC is expressed in ppm FSR/ $^{\circ}$ C.

Gain Error TC

Gain error TC is a measure of the change in gain error with changes in temperature. Gain Error TC is expressed in (ppm of FSR)/ $^{\circ}$ C.

Digital-to-Analog Glitch Energy

Digital-to-analog glitch impulse is the impulse injected into the analog output when the input code in the DAC register changes state. It is normally specified as the area of the glitch in nV secs and is measured when the digital input code is changed by 1 LSB at the major carry transition (0x7FFF to 0x8000) (see Figure 28).

Digital Feedthrough

Digital feedthrough is a measure of the impulse injected into the analog output of the DAC from the digital inputs of the DAC but is measured when the DAC output is not updated. It is specified in nV secs and measured with a full-scale code change on the data bus, that is, from all 0s to all 1s and vice versa.

Power Supply Sensitivity

Power supply sensitivity indicates how the output of the DAC is affected by changes in the power supply voltage.

DC Crosstalk

DC crosstalk is the dc change in the output level of one DAC in response to a change in the output of another DAC. It is measured with a full-scale output change on one DAC while monitoring another DAC, and is expressed in LSBs.

DAC-to-DAC Crosstalk

DAC-to-DAC crosstalk is the glitch impulse transferred to the output of one DAC due to a digital code change and subsequent output change of another DAC. This includes both digital and analog crosstalk. It is measured by loading one of the DACs with a full-scale code change (all 0s to all 1s and vice versa) with LDAC low and monitoring the output of another DAC. The energy of the glitch is expressed in nV-s.

Channel-to-Channel Isolation

Channel-to-channel isolation is the ratio of the amplitude of the signal at the output of one DAC to a sine wave on the reference input of another DAC. It is measured in dB.

Reference TC

Reference TC is a measure of the change in the reference output voltage with a change in temperature. It is expressed in ppm/°C.

Digital Crosstalk

Digital crosstalk is a measure of the impulse injected into the analog output of one DAC from the digital inputs of another DAC but is measured when the DAC output is not updated. It is specified in nV secs and measured with a full-scale code change on the data bus, that is, from all 0s to all 1s and vice versa.

TYPICAL PERFORMANCE CHARACTERISTICS

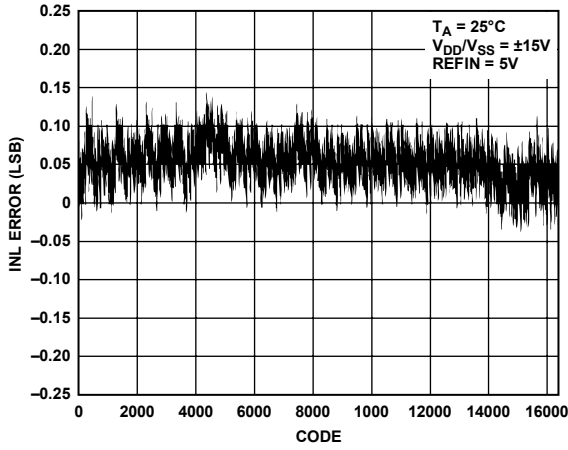


Figure 7. Integral Nonlinearity Error vs. Code, $V_{DD}/V_{SS} = \pm 15 V$

06065-009

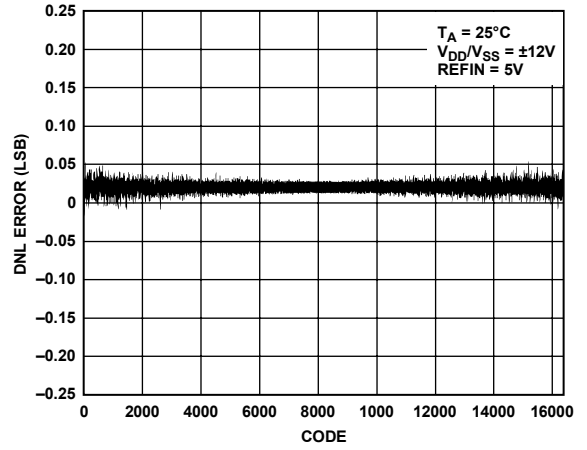


Figure 10. Differential Nonlinearity Error vs. Code, $V_{DD}/V_{SS} = \pm 12 V$

06065-014

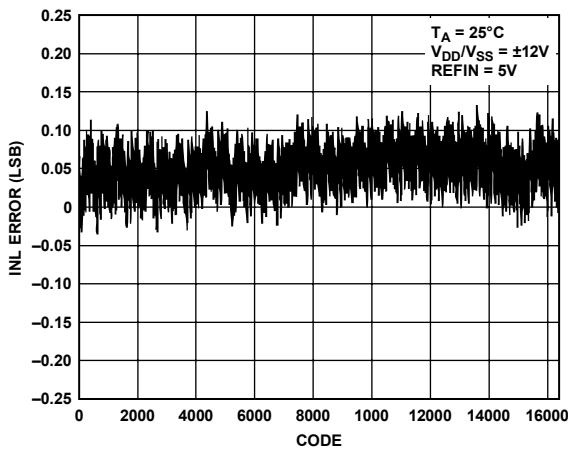


Figure 8. Integral Nonlinearity Error vs. Code, $V_{DD}/V_{SS} = \pm 12 V$

06065-010

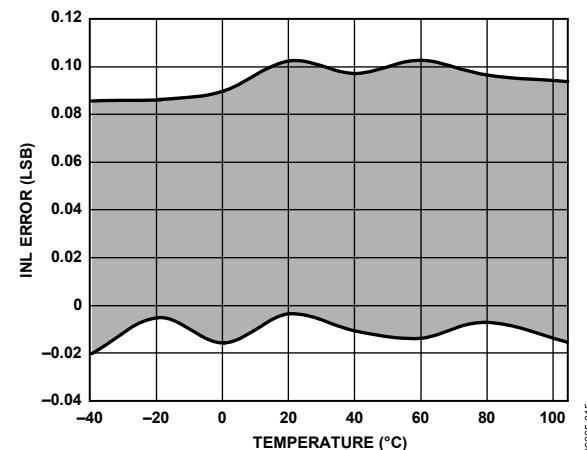


Figure 11. Integral Nonlinearity Error vs. Temperature, $V_{DD}/V_{SS} = \pm 15 V$

06065-015

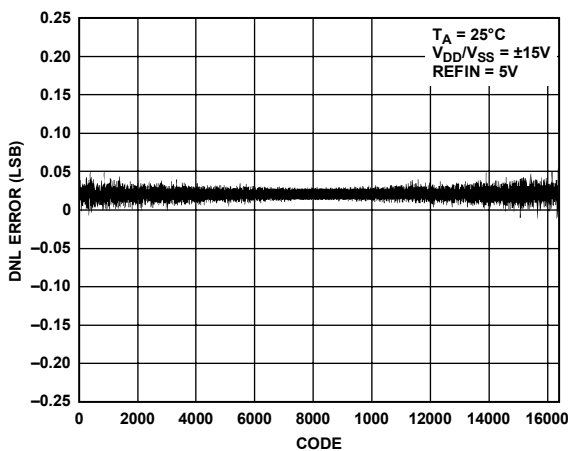


Figure 9. Differential Nonlinearity Error vs. Code, $V_{DD}/V_{SS} = \pm 15 V$

06065-013

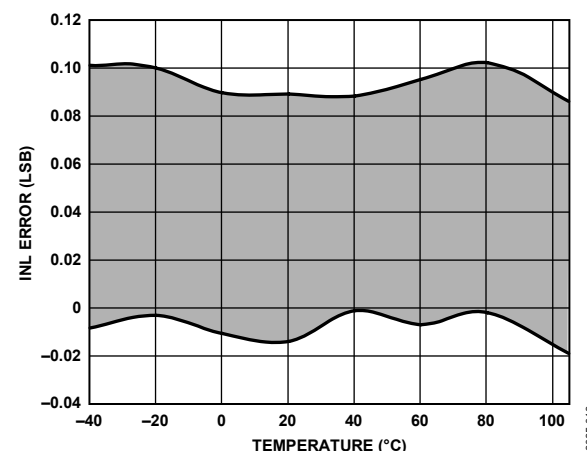


Figure 12. Integral Nonlinearity Error vs. Temperature, $V_{DD}/V_{SS} = \pm 12 V$

06065-016

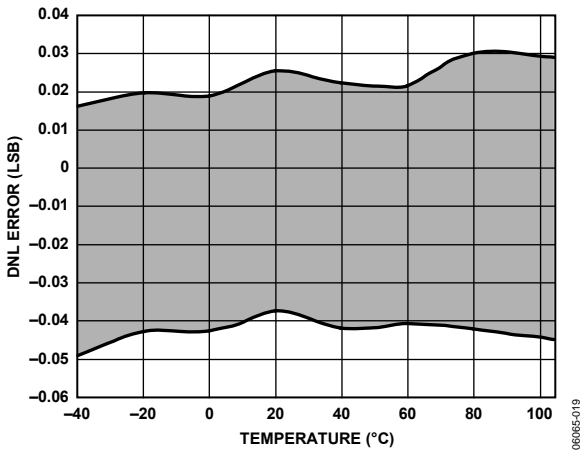


Figure 13. Differential Nonlinearity Error vs. Temperature, $V_{DD}/V_{SS} = \pm 15\text{ V}$

06065-019

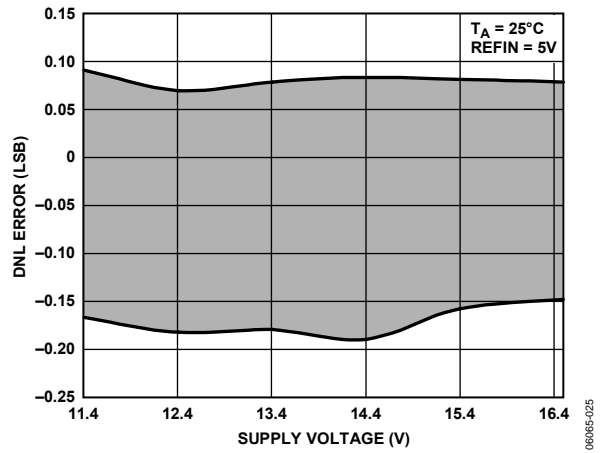


Figure 16. Differential Nonlinearity Error vs. Supply Voltage

06065-025

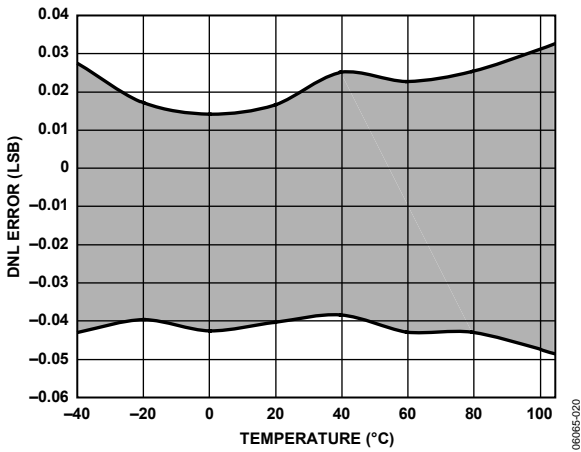


Figure 14. Differential Nonlinearity Error vs. Temperature, $V_{DD}/V_{SS} = \pm 12\text{ V}$

06065-020

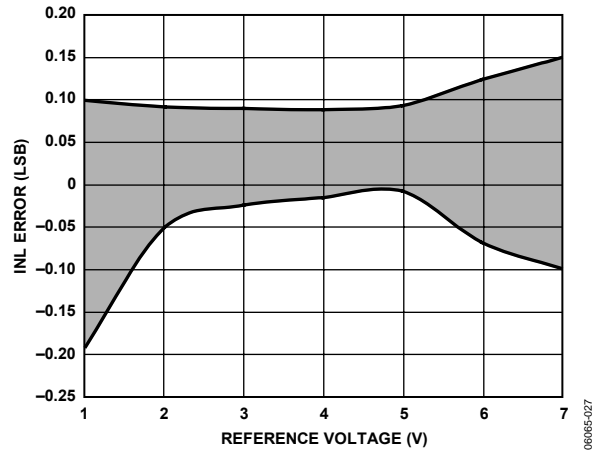


Figure 17. Integral Nonlinearity Error vs. Reference Voltage

06065-027

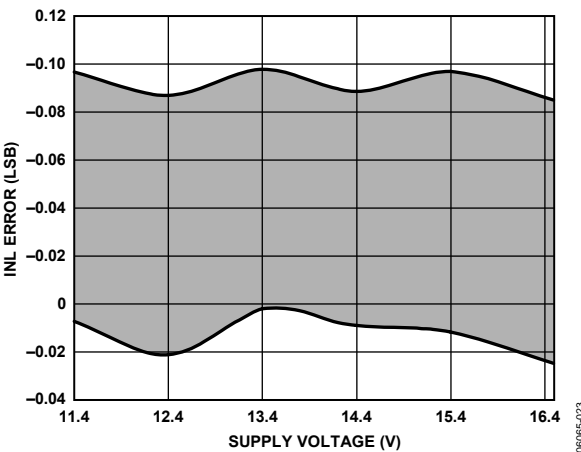


Figure 15. Integral Nonlinearity Error vs. Supply Voltage

06065-023

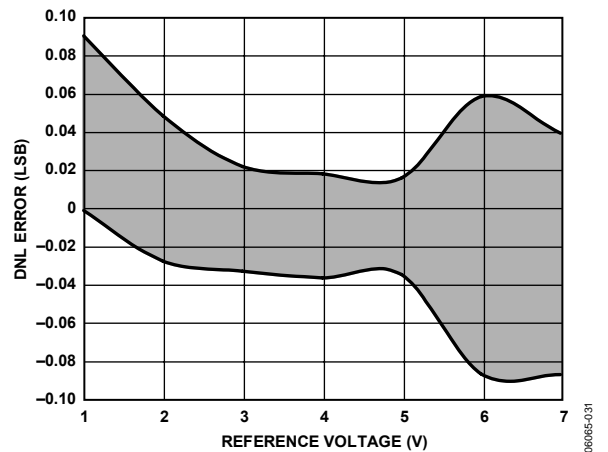


Figure 18. Differential Nonlinearity Error vs. Reference Voltage

06065-031

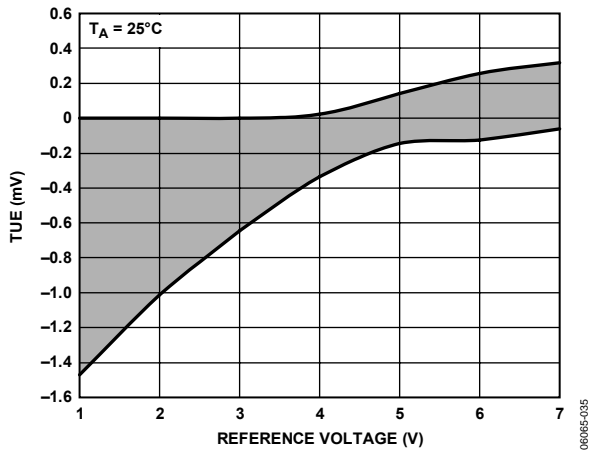


Figure 19. Total Unadjusted Error vs. Reference Voltage, $V_{DD}/V_{SS} = \pm 16.5 V$

06065-035

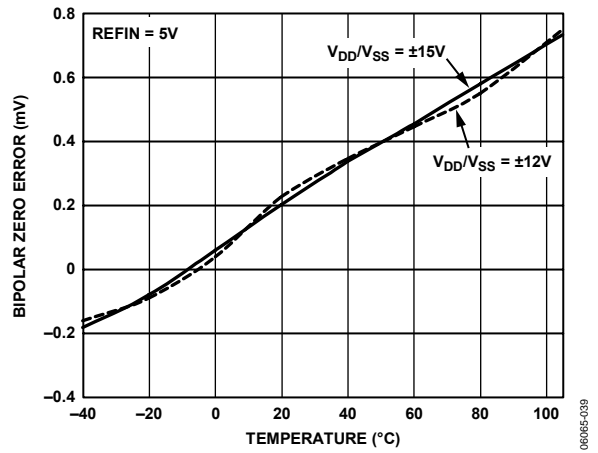


Figure 22. Bipolar Zero Error vs. Temperature

06065-039

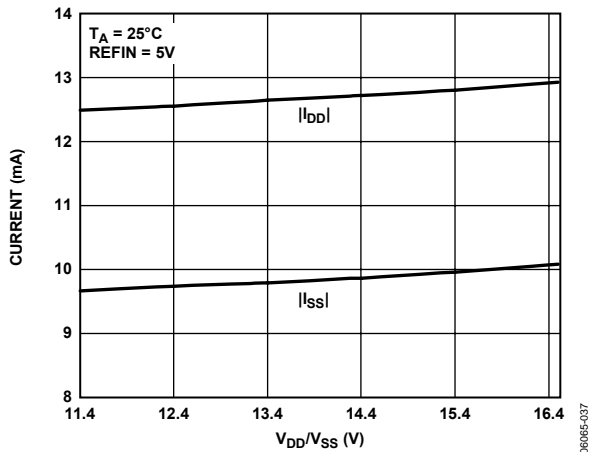


Figure 20. I_{DD}/I_{SS} vs. V_{DD}/V_{SS}

06065-037

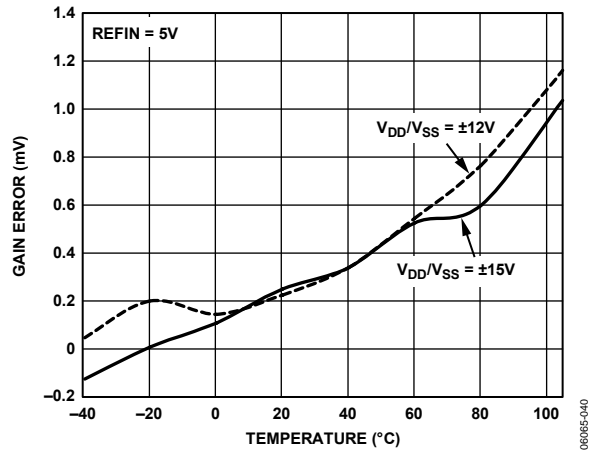


Figure 23. Gain Error vs. Temperature

06065-040

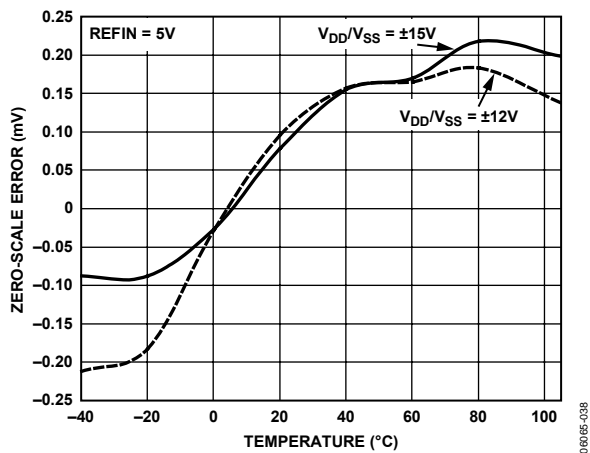


Figure 21. Zero-Scale Error vs. Temperature

06065-038

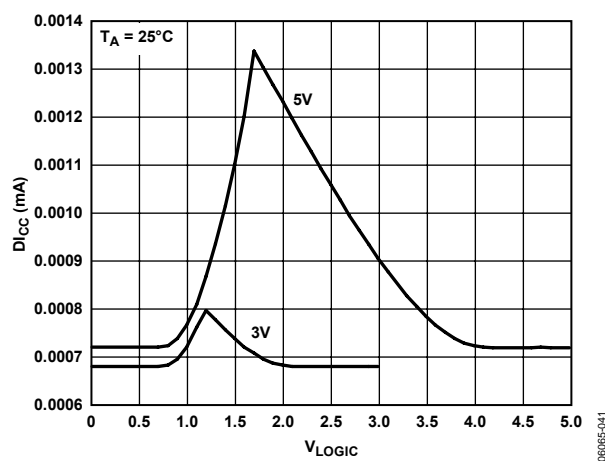


Figure 24. D_{ICC} vs. Logic Input Voltage

06065-041

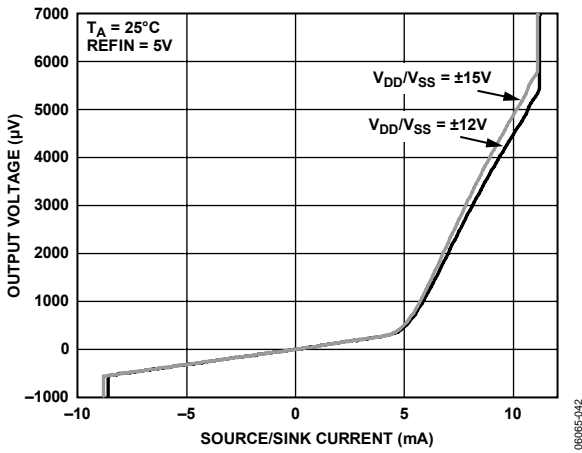


Figure 25. Source and Sink Capability of Output Amplifier with Positive Full Scale Loaded

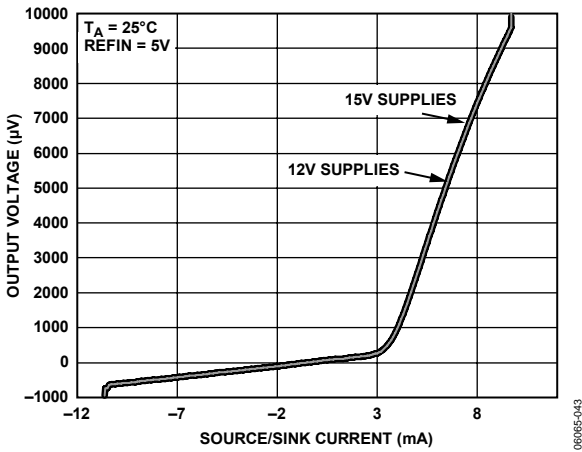


Figure 26. Source and Sink Capability of Output Amplifier with Negative Full Scale Loaded

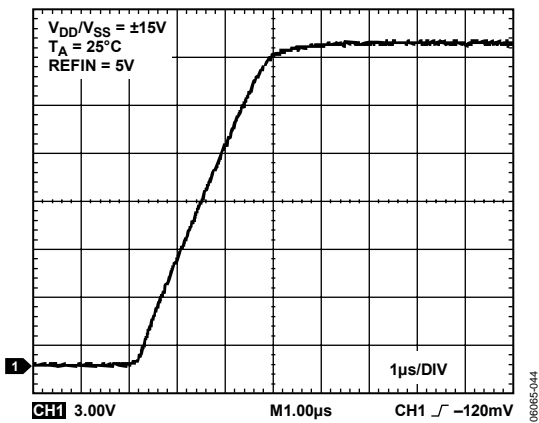


Figure 27. Full-Scale Settling Time

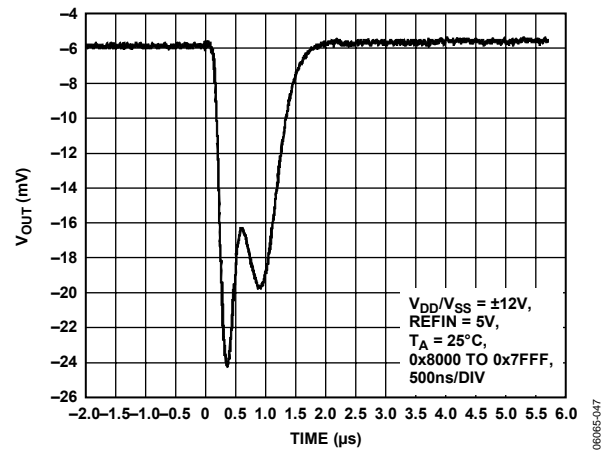


Figure 28. Major Code Transition Glitch Energy, $V_{DD}/V_{SS} = \pm 12 V$

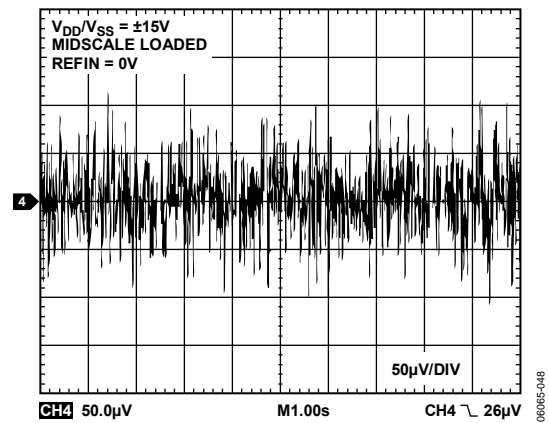


Figure 29. Peak-to-Peak Noise (100 kHz Bandwidth)

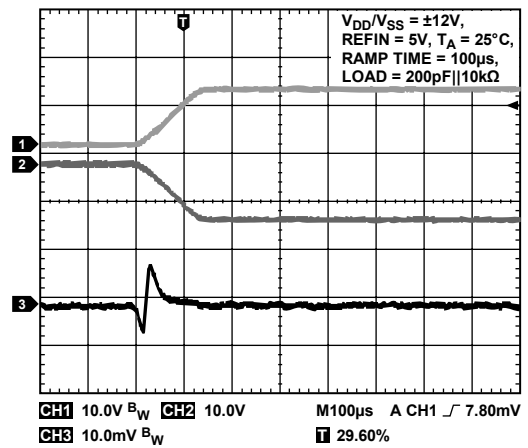


Figure 30. V_{OUT} vs. V_{DD}/V_{SS} on Power-Up

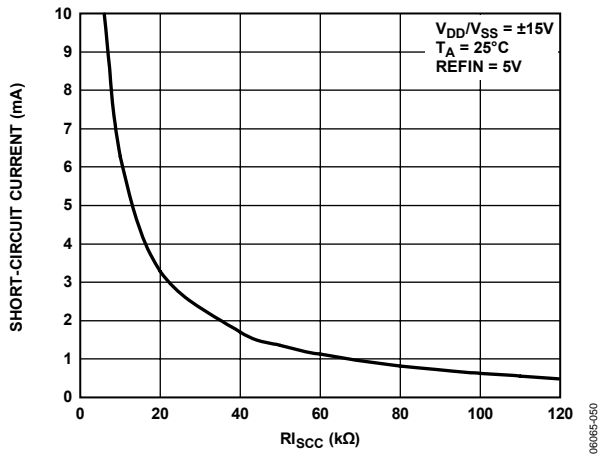


Figure 31. Short-Circuit Current vs. R_{ISC}

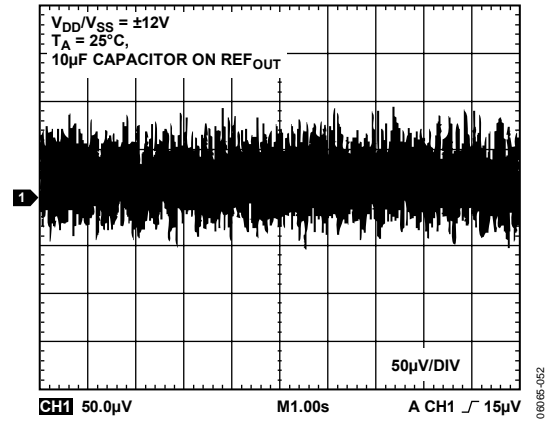


Figure 33. REF_{OUT} Output Noise 100 kHz Bandwidth

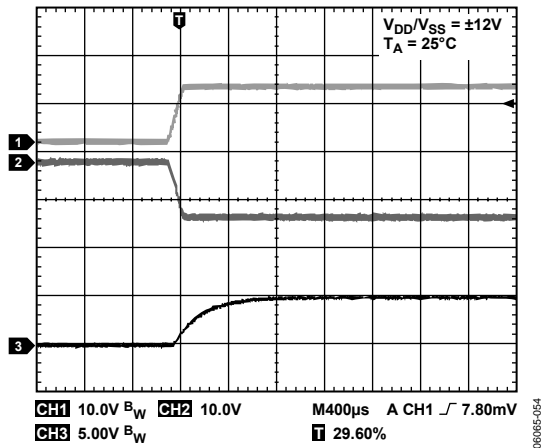


Figure 32. REF_{OUT} Turn-On Transient

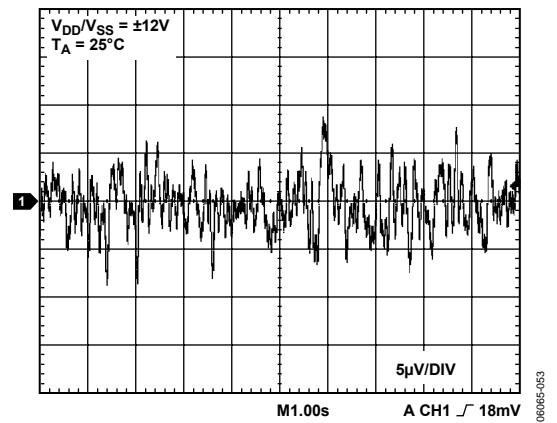


Figure 34. REF_{OUT} Output Noise 0.1 Hz to 10 Hz

THEORY OF OPERATION

The AD5744R is a quad, 14-bit, serial input, bipolar voltage output DAC and operates from supply voltages of $\pm 11.4\text{ V}$ to $\pm 16.5\text{ V}$ and has a buffered output voltage of up to $\pm 10.5263\text{ V}$. Data is written to the AD5744R in a 24-bit word format, via a 3-wire serial interface. The AD5744R also offers an SDO pin, which is available for daisy chaining or readback.

The AD5744R incorporates a power-on reset circuit, which ensures that the DAC registers power up loaded with 0x0000. The AD5744R features a digital I/O port that can be programmed via the serial interface, an analog die temperature sensor, on-chip $10\text{ ppm}/^\circ\text{C}$ voltage reference, on-chip reference buffers and per channel digital gain and offset registers.

DAC ARCHITECTURE

The DAC architecture of the AD5744R consists of a 14-bit current mode segmented R-2R DAC. The simplified circuit diagram for the DAC section is shown in Figure 35.

The four MSBs of the 14-bit data word are decoded to drive 15 switches, E1 to E15. Each of these switches connects one of the 15 matched resistors to either AGND or IOUT. The remaining 12 bits of the data word drive switches S0 to S11 of the 12-bit R-2R ladder network.

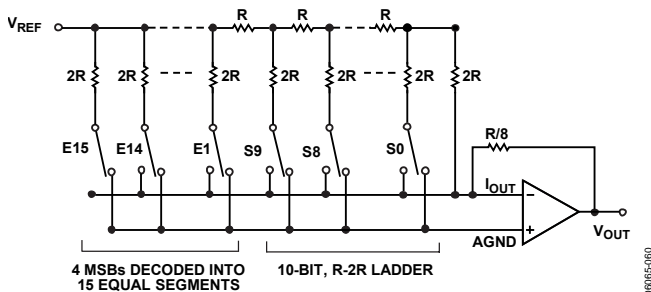


Figure 35. DAC Ladder Structure

REFERENCE BUFFERS

The AD5744R can operate with either an external or an internal reference. The reference inputs (REFAB and REFC) have an input range up to 7 V . This input voltage is then used to provide a buffered positive and negative reference for the DAC cores. The positive reference is given by

$$+V_{\text{REF}} = 2 \times V_{\text{REF}}$$

While the negative reference to the DAC cores is given by

$$-V_{\text{REF}} = -2 \times V_{\text{REF}}$$

These positive and negative reference voltages (along with the gain register values) define the output ranges of the DACs.

SERIAL INTERFACE

The AD5744R is controlled over a versatile 3-wire serial interface that operates at clock rates of up to 30 MHz and is compatible with SPI®, QSPI™, MICROWIRE™, and DSP standards.

Input Shift Register

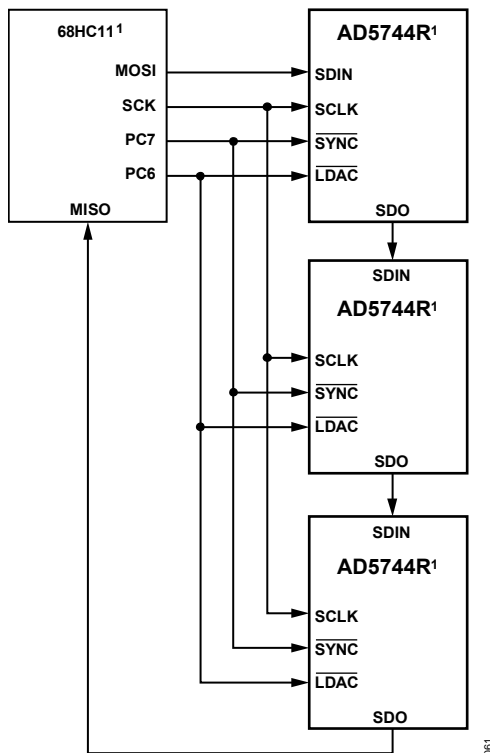
The input shift register is 24 bits wide. Data is loaded into the device MSB first as a 24-bit word under the control of a serial clock input, SCLK. The input register consists of a read/write bit, three register select bits, three DAC address bits and 14 data bits as shown in Table 7. The timing diagram for this operation is shown in Figure 2.

Upon power-up, the DAC registers are loaded with zero code (0x0000) and the outputs are clamped to 0 V via a low impedance path. The outputs can be updated with the zero code value by asserting either LDAC or CLR. The corresponding output voltage depends on the state of the BIN/2sCOMP pin. If the BIN/2sCOMP pin is tied to DGND, then the data coding is two's complement and the outputs update to 0 V . If the BIN/2sCOMP pin is tied to DV_{CC} , then the data coding is offset binary and the outputs update to negative full scale. To have the outputs power-up with zero code loaded to the outputs, the CLR pin should be held low during power-up.

Standalone Operation

The serial interface works with both a continuous and noncontinuous serial clock. A continuous SCLK source can only be used if $\overline{\text{SYNC}}$ is held low for the correct number of clock cycles. In gated clock mode, a burst clock containing the exact number of clock cycles must be used and $\overline{\text{SYNC}}$ must be taken high after the final clock to latch the data. The first falling edge of $\overline{\text{SYNC}}$ starts the write cycle. Exactly 24 falling clock edges must be applied to SCLK before $\overline{\text{SYNC}}$ is brought back high again. If $\overline{\text{SYNC}}$ is brought high before the 24th falling SCLK edge, then the data written is invalid. If more than 24 falling SCLK edges are applied before $\overline{\text{SYNC}}$ is brought high, then the input data is also invalid. The input register addressed is updated on the rising edge of $\overline{\text{SYNC}}$. In order for another serial transfer to take place, $\overline{\text{SYNC}}$ must be brought low again. After the end of the serial data transfer, data is automatically transferred from the input shift register to the addressed register.

When the data has been transferred into the chosen register of the addressed DAC, all DAC registers and outputs can be updated by taking LDAC low.



¹ADDITIONAL PINS OMITTED FOR CLARITY
 Figure 36. Daisy Chaining the AD5744R

Daisy-Chain Operation

For systems that contain several devices, the SDO pin can be used to daisy chain several devices together. This daisy-chain mode can be useful in system diagnostics and in reducing the number of serial interface lines. The first falling edge of $\overline{\text{SYNC}}$ starts the write cycle. The $\overline{\text{SCLK}}$ is continuously applied to the input shift register when $\overline{\text{SYNC}}$ is low. If more than 24 clock pulses are applied, the data ripples out of the shift register and appears on the SDO line. This data is clocked out on the rising edge of $\overline{\text{SCLK}}$ and is valid on the falling edge. By connecting the SDO of the first device to the SDIN input of the next device in the chain, a multidevice interface is constructed. Each device in the system requires 24 clock pulses. Therefore, the total number of clock cycles must equal $24N$, where N is the total number of AD5744R devices in the chain. When the serial transfer to all devices is complete, $\overline{\text{SYNC}}$ is taken high. This latches the input data in each device in the daisy chain and prevents any further data from being clocked into the input shift register. The serial clock can be a continuous or a gated clock.

A continuous $\overline{\text{SCLK}}$ source can only be used if $\overline{\text{SYNC}}$ is held low for the correct number of clock cycles. In gated clock mode, a burst clock containing the exact number of clock cycles must be used and $\overline{\text{SYNC}}$ must be taken high after the final clock to latch the data.

Readback Operation

Before a readback operation is initiated, the SDO pin must be enabled by writing to the function register and clearing the SDO DISABLE bit; this bit is cleared by default. Readback mode is invoked by setting the $\overline{\text{R/W}}$ bit = 1 in the serial input register write. With $\overline{\text{R/W}} = 1$, Bit A2 to Bit A0, in association with Bit REG2, Bit REG1, and Bit REG0, select the register to be read. The remaining data bits in the write sequence are don't care. During the next SPI write, the data appearing on the SDO output contain the data from the previously addressed register. For a read of a single register, the NOP command can be used in clocking out the data from the selected register on SDO. The readback diagram in Figure 4 shows the readback sequence. For example, to read back the fine gain register of Channel A on the AD5744R, the following sequence should be implemented:

1. Write 0xA0XXXX to the AD5744R input register. This configures the AD5744R for read mode with the fine gain register of Channel A selected. Note that all the data bits, DB15 to DB0, are don't care.
2. Follow this with a second write, a NOP condition, 0x00XXXX. During this write, the data from the fine gain register is clocked out on the SDO line, that is, data clocked out contains the data from the fine gain register in Bit DB5 to Bit DB0.

SIMULTANEOUS UPDATING VIA $\overline{\text{LDAC}}$

Depending on the status of both $\overline{\text{SYNC}}$ and $\overline{\text{LDAC}}$, and after data has been transferred into the input register of the DACs, there are two ways in which the DAC registers and DAC outputs can be updated.

Individual DAC Updating

In this mode, $\overline{\text{LDAC}}$ is held low while data is being clocked into the input shift register. The addressed DAC output is updated on the rising edge of $\overline{\text{SYNC}}$.

Simultaneous Updating of All DACs

In this mode, $\overline{\text{LDAC}}$ is held high while data is being clocked into the input shift register. All DAC outputs are updated by taking $\overline{\text{LDAC}}$ low any time after $\overline{\text{SYNC}}$ has been taken high. The update now occurs on the falling edge of $\overline{\text{LDAC}}$.

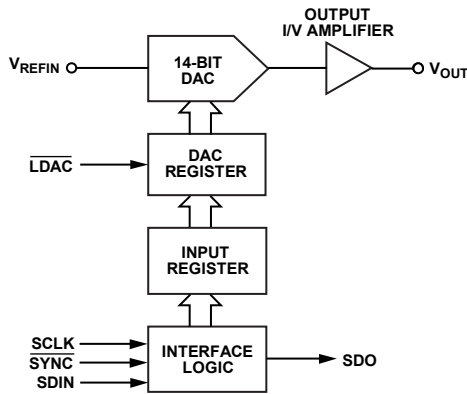


Figure 37. Simplified Serial Interface of Input Loading Circuitry for One DAC Channel

TRANSFER FUNCTION

Table 6 shows the ideal input code to output voltage relationship for the AD5744R for both offset binary and twos complement data coding.

Table 6. Ideal Output Voltage to Input Code Relationship for the AD5744R

Digital Input				Analog Output
Offset Binary Data Coding				
MSB		LSB		V_{OUT}
11	1111	1111	1111	+2 V _{REF} × (8191/8192)
10	0000	0000	0001	+2 V _{REF} × (1/8192)
10	0000	0000	0000	0 V
01	1111	1111	1111	-2 V _{REF} × (1/8192)
00	0000	0000	0000	-2 V _{REF} × (8191/8192)
Twos Complement Data Coding				
MSB		LSB		V_{OUT}
01	1111	1111	1111	+2 V _{REF} × (8191/8192)
00	0000	0000	0001	+2 V _{REF} × (1/8192)
00	0000	0000	0000	0 V
11	1111	1111	1111	-2 V _{REF} × (1/8192)
10	0000	0000	0000	-2 V _{REF} × (8191/8192)

The output voltage expression for the AD5744R is given by

$$V_{OUT} = -2 \times V_{REFIN} + 4 \times V_{REFIN} \left[\frac{D}{16384} \right]$$

where:

D is the decimal equivalent of the code loaded to the DAC.
 V_{REFIN} is the reference voltage applied at the REFAB/REFCD pins.

ASYNCHRONOUS CLEAR (CLR)

CLR is a negative edge triggered clear that allows the outputs to be cleared to either 0 V (twos complement coding) or negative full scale (offset binary coding). It is necessary to maintain CLR low for a minimum amount of time (see Figure 3) for the operation to complete. When the CLR signal is returned high, the output remains at the cleared value until a new value is programmed. If at power-on CLR is at 0 V, then all DAC outputs are updated with the clear value. A clear can also be initiated through software by writing the command 0x04XXXX to the AD5744R.

Table 7. AD5744R Input Register Format

MSB																				LSB			
DB23	DB22	DB21	DB20	DB19	DB18	DB17	DB16	DB15	DB14	DB13	DB12	DB11	DB10	DB9	DB8	DB7	DB6	DB5	DB4	DB3	DB2	DB1	DB0
R/W	0	REG2	REG1	REG0	A2	A1	A0	DATA															

Table 8. Input Register Bit Functions

Register	Function																								
R/W	Indicates a read from or a write to the addressed register.																								
REG2, REG1, REG0	Used in association with the address bits to determine if a read or write operation is to the data register, offset register, gain register, or function register.																								
	<table border="1"> <thead> <tr> <th>REG2</th> <th>REG1</th> <th>REG0</th> <th>Function</th> </tr> </thead> <tbody> <tr> <td>0</td> <td>0</td> <td>0</td> <td>Function Register</td> </tr> <tr> <td>0</td> <td>1</td> <td>0</td> <td>Data Register</td> </tr> <tr> <td>0</td> <td>1</td> <td>1</td> <td>Coarse Gain Register</td> </tr> <tr> <td>1</td> <td>0</td> <td>0</td> <td>Fine Gain Register</td> </tr> </tbody> </table>	REG2	REG1	REG0	Function	0	0	0	Function Register	0	1	0	Data Register	0	1	1	Coarse Gain Register	1	0	0	Fine Gain Register				
REG2	REG1	REG0	Function																						
0	0	0	Function Register																						
0	1	0	Data Register																						
0	1	1	Coarse Gain Register																						
1	0	0	Fine Gain Register																						
A2, A1, A0	These bits are used to decode the DAC channels.																								
	<table border="1"> <thead> <tr> <th>A2</th> <th>A1</th> <th>A0</th> <th>Channel Address</th> </tr> </thead> <tbody> <tr> <td>0</td> <td>0</td> <td>0</td> <td>DAC A</td> </tr> <tr> <td>0</td> <td>0</td> <td>1</td> <td>DAC B</td> </tr> <tr> <td>0</td> <td>1</td> <td>0</td> <td>DAC C</td> </tr> <tr> <td>0</td> <td>1</td> <td>1</td> <td>DAC D</td> </tr> <tr> <td>1</td> <td>0</td> <td>0</td> <td>ALL DACs</td> </tr> </tbody> </table>	A2	A1	A0	Channel Address	0	0	0	DAC A	0	0	1	DAC B	0	1	0	DAC C	0	1	1	DAC D	1	0	0	ALL DACs
A2	A1	A0	Channel Address																						
0	0	0	DAC A																						
0	0	1	DAC B																						
0	1	0	DAC C																						
0	1	1	DAC D																						
1	0	0	ALL DACs																						
D15:D0	Data Bits.																								

FUNCTION REGISTER

The function register is addressed by setting the three REG bits to 000. The values written to the address bits and the data bits determine the function addressed. The functions available via the function register are outlined in Table 9 and Table 10.

Table 9. Function Register Options

REG2	REG1	REG0	A2	A1	A0	DB15:DB6	DB5	DB4	DB3	DB2	DB1	DB0
0	0	0	0	0	0	NOP, Data = Don't Care						
0	0	0	0	0	1	Don't Care	Local-Ground-Offset Adjust	D1 Direction	D1 Value	D0 Direction	D0 Value	SDO Disable
0	0	0	1	0	0	CLR, Data = Don't Care						
0	0	0	1	0	1	LOAD, Data = Don't Care						

Table 10. Explanation of Function Register Options

Option	Description
NOP	No operation instruction used in readback operations.
Local-Ground-Offset Adjust	Set by the user to enable local-ground-offset adjust function (default). Cleared by the user to disable local-ground-offset adjust function.
D0/D1 Direction	Set by the user to enable D0/D1 as outputs. Cleared by the user to enable D0/D1 as inputs (default). Refer to the Features section for further details.
D0/D1 Value	I/O Port Status Bits. Logic values written to these locations determine the logic outputs on the D0 and D1 pins when configured as outputs. These bits indicate the status of the D0 and D1 pins when the I/O port is active as an input. When enabled as inputs, these bits are don't cares during a write operation.
SDO Disable	Set by the user to disable the SDO output. Cleared by the user to enable the SDO output (default).
CLR	Addressing this function resets the DAC outputs to 0 V in twos complement mode and negative full scale in binary mode.
LOAD	Addressing this function updates the DAC registers and consequently the analog outputs.

DATA REGISTER

The data register is addressed by setting the three REG bits to 010. The DAC address bits select with which DAC channel the data transfer is to take place (see Table 8). The data bits are in positions DB15 to DB2 as shown in Table 11.

Table 11. Programming the AD5744R Data Register

REG2	REG1	REG0	A2	A1	A0	DB15	DB14	DB13	DB12	DB11	DB10	DB9	DB8	DB7	DB6	DB5	DB4	DB3	DB2	DB1	DB0
0	1	0	DAC Address			14-Bit DAC Data														X	X

COARSE GAIN REGISTER

The coarse gain register is addressed by setting the three REG bits to 011. The DAC address bits select with which DAC channel the data transfer is to take place (see Table 8). The coarse gain register is a 2-bit register and allows the user to select the output range of each DAC as shown in Table 13.

Table 12. Programming the AD5744R Coarse Gain Register

REG2	REG1	REG0	A2	A1	A0	DB15 DB2	DB1	DB0
0	1	1	DAC Address			Don't Care	CG1	CG0

Table 13. Output Range Selection

Output Range	CG1	CG0
±10 V (default)	0	0
±10.2564 V	0	1
±10.5263 V	1	0

FINE GAIN REGISTER

The fine gain register is addressed by setting the three REG bits to 100. The DAC address bits select with which DAC channel the data transfer is to take place (see Table 8). The AD5744R fine gain register is a 6-bit register and allows the user to adjust the gain of each DAC channel by -8 LSBs to $+7.75$ LSBs in 0.25 LSB steps as shown in Table 14 and Table 15. The adjustment is made to both the positive full-scale points and the negative full-scale points simultaneously, each point being adjusted by $\frac{1}{2}$ of one step. The fine gain register coding is twos complement.

Table 14. Programming AD5744R Fine Gain Register

REG2	REG1	REG0	A2	A1	A0	DB15:DB6	DB5	DB4	DB3	DB2	DB1	DB0
1	0	0	DAC Address			Don't Care	FG5	FG4	FG3	FG2	FG1	FG0

Table 15. AD5744R Fine Gain Register Options

Gain Adjustment	FG5	FG4	FG3	FG2	FG1	FG0
+7.75 LSBs	0	1	1	1	1	1
+7.5 LSBs	0	1	1	1	1	0
-	-	-	-	-	-	-
No Adjustment (default)	0	0	0	0	0	0
-	-	-	-	-	-	-
-7.75 LSBs	1	0	0	0	0	1
-8 LSBs	1	0	0	0	0	0

AD5744R FEATURES

ANALOG OUTPUT CONTROL

In many industrial process control applications, it is vital that the output voltage be controlled during power-up and during brownout conditions. When the supply voltages are changing, the VOUT pins are clamped to 0 V via a low impedance path. To prevent the output amp being shorted to 0 V during this time, transmission gate G1 is also opened (see Figure 38). These conditions are maintained until the power supplies stabilize and a valid word is written to the DAC register. At this time, G2 opens and G1 closes. Both transmission gates are also externally controllable via the Reset In ($\overline{\text{RSTIN}}$) control input. For instance, if $\overline{\text{RSTIN}}$ is driven from a battery supervisor chip, the $\overline{\text{RSTIN}}$ input is driven low to open G1 and close G2 on power-off or during a brownout. Conversely, the on-chip voltage detector output ($\overline{\text{RSTOUT}}$) is also available to the user to control other parts of the system. The basic transmission gate functionality is shown in Figure 38.

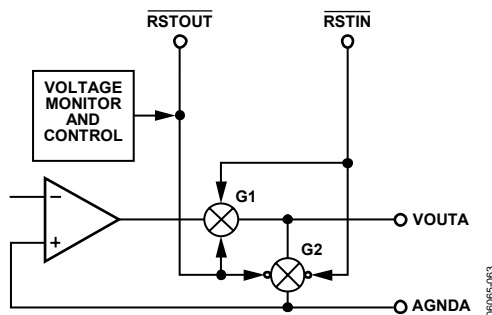


Figure 38. Analog Output Control Circuitry

PROGRAMMABLE SHORT-CIRCUIT PROTECTION

The short-circuit current of the output amplifiers can be programmed by inserting an external resistor between the ISCC pin and PGND. The programmable range for the current is 500 μA to 10 mA, corresponding to a resistor range of 120 k Ω to 6 k Ω . The resistor value is calculated as follows:

$$R = \frac{60}{I_{sc}}$$

If the ISCC pin is left unconnected, the short circuit current limit defaults to 5 mA. It should be noted that limiting the short circuit current to a small value can affect the slew rate of the output when driving into a capacitive load, therefore, the value of short-circuit current programmed should take into account the size of the capacitive load being driven.

DIGITAL I/O PORT

The AD5744R contains a 2-bit digital I/O port (D1 and D0), these bits can be configured as inputs or outputs independently, and can be driven or have their values read back via the serial interface. The I/O port signals are referenced to DV_{CC} and DGND. When configured as outputs, they can be used as control signals to multiplexers or can be used to control calibration circuitry elsewhere in the system. When configured as inputs, the logic signals from limit switches, for example can be applied to D0 and D1 and can be read back via the digital interface.

DIE TEMPERATURE SENSOR

The on-chip die temperature sensor provides a voltage output that is linearly proportional to the centigrade temperature scale. Its nominal output voltage is 1.4 V at +25°C die temperature, varying at 5 mV/°C, giving a typical output range of 1.175 V to 1.9 V over the full temperature range. Its low output impedance, and linear output simplify interfacing to temperature control circuitry and A/D converters. The temperature sensor is provided as more of a convenience rather than a precise feature; it is intended for indicating a die temperature change for recalibration purposes.

LOCAL GROUND OFFSET ADJUST

The AD5744R incorporates a local-ground-offset adjust feature which when enabled in the function register adjusts the DAC outputs for voltage differences between the individual DAC ground pins and the REFGND pin ensuring that the DAC output voltages are always with respect to the local DAC ground pin. For instance, if pin AGNDA is at +5 mV with respect to the REFGND pin and VOUTA is measured with respect to AGNDA then a -5mV error results, enabling the local-ground-offset adjust feature adjusts VOUTA by +5 mV, eliminating the error.

APPLICATIONS INFORMATION

TYPICAL OPERATING CIRCUIT

Figure 39 shows the typical operating circuit for the AD5744R. The only external components needed for this precision 14-bit DAC are decoupling capacitors on the supply pins and reference inputs, and an optional short-circuit current setting resistor. Because the AD5744R incorporates a voltage reference and reference buffers, it eliminates the need for an external bipolar reference and associated buffers. This leads to an overall savings in both cost and board space.

In Figure 39, V_{DD} and V_{SS} are both connected to ± 15 V, but V_{DD} and V_{SS} can operate with supplies from ± 11.4 V to ± 16.5 V. In Figure 39, AGNDA is connected to REFVND.

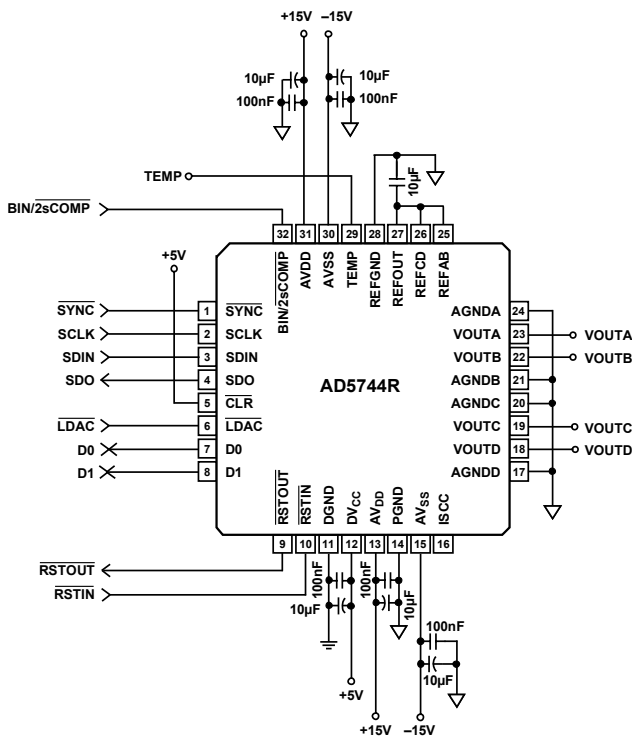


Figure 39. Typical Operating Circuit

Precision Voltage Reference Selection

To achieve the optimum performance from the AD5744R over its full operating temperature range, an external voltage reference must be used. Thought should be given to the selection of a precision voltage reference. The AD5744R has two reference inputs, REFAB and REFCD. The voltages applied to the reference inputs are used to provide a buffered positive and negative reference for the DAC cores. Therefore, any error in the voltage reference is reflected in the outputs of the device.

There are four possible sources of error to consider when choosing a voltage reference for high accuracy applications: initial accuracy, temperature coefficient of the output voltage, long term drift, and output voltage noise.

Initial accuracy error on the output voltage of an external reference could lead to a full-scale error in the DAC. Therefore, to minimize these errors, a reference with low initial accuracy error specification is preferred. Choosing a reference with an output trim adjustment, such as the ADR425, allows a system designer to trim system errors out by setting the reference voltage to a voltage other than the nominal. The trim adjustment can also be used at temperature to trim out any error.

Long term drift is a measure of how much the reference output voltage drifts over time. A reference with a tight long-term drift specification ensures that the overall solution remains relatively stable over its entire lifetime.

The temperature coefficient of a reference's output voltage affects INL, DNL, and TUE. A reference with a tight temperature coefficient specification should be chosen to reduce the dependence of the DAC output voltage on ambient conditions.

In high accuracy applications, which have a relatively low noise budget, reference output voltage noise needs to be considered. Choosing a reference with as low an output noise voltage as practical for the system resolution required is important. Precision voltage references such as the ADR435 (XFET design) produce low output noise in the 0.1 Hz to 10 Hz region. However, as the circuit bandwidth increases, filtering the output of the reference may be required to minimize the output noise.

Table 16. Some Precision References Recommended for Use with the AD5744R

Part No.	Initial Accuracy(mV Max)	Long-Term Drift (ppm Typ)	Temp Drift (ppm/°C Max)	0.1 Hz to 10 Hz Noise (μ V p-p Typ)
ADR435	± 6	30	3	3.4
ADR425	± 6	50	3	3.4
ADR02	± 5	50	3	15
ADR395	± 6	50	25	5
AD586	± 2.5	15	10	4

LAYOUT GUIDELINES

In any circuit where accuracy is important, careful consideration of the power supply and ground return layout helps to ensure the rated performance. The printed circuit board on which the AD5744R is mounted should be designed so that the analog and digital sections are separated and confined to certain areas of the board. If the AD5744R is in a system where multiple devices require an AGND-to-DGND connection, the connection should be made at one point only. The star ground point should be established as close as possible to the device. The AD5744R should have ample supply bypassing of 10 μF in parallel with 0.1 μF on each supply located as close to the package as possible, ideally right up against the device. The 10 μF capacitors are the tantalum bead type. The 0.1 μF capacitor should have low effective series resistance (ESR) and low effective series inductance (ESI) such as the common ceramic types, which provide a low impedance path to ground at high frequencies to handle transient currents due to internal logic switching.

The power supply lines of the AD5744R should use as large a trace as possible to provide low impedance paths and reduce the effects of glitches on the power supply line. Fast switching signals, such as clocks, should be shielded with digital ground to avoid radiating noise to other parts of the board, and should never be run near the reference inputs. A ground line routed between the SDIN and SCLK lines helps reduce cross-talk between them (not required on a multilayer board, which has a separate ground plane, however, it is helpful to separate the lines). It is essential to minimize noise on the reference inputs, because it couples through to the DAC output. Avoid crossover of digital and analog signals. Traces on opposite sides of the board should run at right angles to each other. This reduces the effects of feed through on the board. A microstrip technique is recommended, but not always possible with a double-sided board. In this technique, the component side of the board is dedicated to ground plane, while signal traces are placed on the solder side.

GALVANICALLY ISOLATED INTERFACE

In many process control applications, it is necessary to provide an isolation barrier between the controller and the unit being controlled to protect and isolate the controlling circuitry from any hazardous common-mode voltages that might occur. Isocouplers provide voltage isolation in excess of 2.5 kV. The serial loading structure of the AD5744R makes it ideal for isolated interfaces, because the number of interface lines is kept to a minimum. Figure 40 shows a 4-channel isolated interface to the AD5744R using an ADuM1400. For more information, go to www.analog.com.

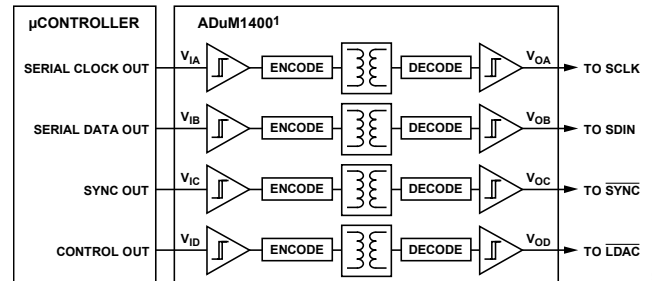


Figure 40. Isolated Interface

MICROPROCESSOR INTERFACING

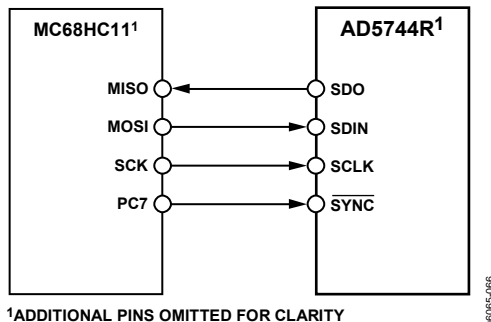
Microprocessor interfacing to the AD5744R is via a serial bus that uses standard protocol compatible with microcontrollers and DSP processors. The communications channel is a 3-wire (minimum) interface consisting of a clock signal, a data signal, and a synchronization signal. The AD5744R requires a 24-bit data-word with data valid on the falling edge of SCLK.

For all the interfaces, the DAC output update can be done automatically when all the data is clocked in, or it can be done under the control of LDAC. The contents of the DAC register can be read using the readback function.

AD5744R to MC68HC11 Interface

Figure 41 shows an example of a serial interface between the AD5744R and the MC68HC11 microcontroller. The serial peripheral interface (SPI) on the MC68HC11 is configured for master mode (MSTR = 1), clock polarity bit (CPOL = 0), and the clock phase bit (CPHA = 1). The SPI is configured by writing to the SPI control register (SPCR) (see the *68HC11 User Manual*). SCK of the MC68HC11 drives the SCLK of the AD5744R, the MOSI output drives the serial data line (DIN) of the AD5744R, and the MISO input is driven from SDO. The SYNC is driven from one of the port lines, in this case PC7.

When data is being transmitted to the AD5744R, the SYNC line (PC7) is taken low and data is transmitted MSB first. Data appearing on the MOSI output is valid on the falling edge of SCK. Eight falling clock edges occur in the transmit cycle, so, in order to load the required 24-bit word, PC7 is not brought high until the third 8-bit word has been transferred to the DACs input shift register.



¹ADDITIONAL PINS OMITTED FOR CLARITY

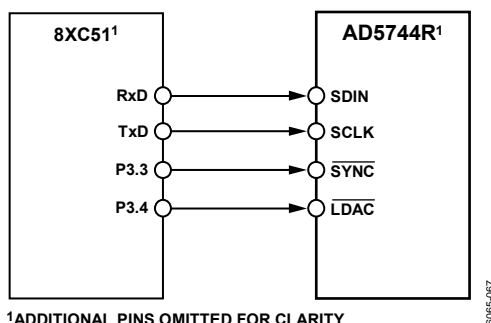
Figure 41. AD5744R to MC68HC11 Interface

LDAC is controlled by the PC6 port output. The DAC can be updated after each 3-byte transfer by bringing LDAC low. This example does not show other serial lines for the DAC. For example, if CLR were used, it could be controlled by port output PC5.

AD5744R to 8XC51 Interface

The AD5744R requires a clock synchronized to the serial data. For this reason, the 8XC51 must be operated in Mode 0. In this mode, serial data enters and exits through RXD, and a shift clock is output on TXD.

P3.3 and P3.4 are bit programmable pins on the serial port and are used to drive SYNC and LDAC, respectively. The 8XC51 provides the LSB of its SBUF register as the first bit in the data stream. The user must ensure that the data in the SBUF register is arranged correctly, because the DAC expects MSB first. When data is to be transmitted to the DAC, P3.3 is taken low. Data on RXD is clocked out of the microcontroller on the rising edge of TXD and is valid on the falling edge. As a result, no glue logic is required between this DAC and the microcontroller interface.



¹ADDITIONAL PINS OMITTED FOR CLARITY

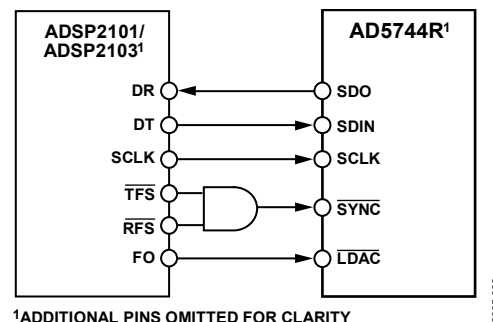
Figure 42. AD5744R to 8XC51 Interface

The 8XC51 transmits data in 8-bit bytes with only eight falling clock edges occurring in the transmit cycle. Because the DAC expects a 24-bit word, SYNC (P3.3) must be left low after the first eight bits are transferred. After the third byte has been transferred, the P3.3 line is taken high. The DAC can be updated using LDAC via P3.4 of the 8XC51.

AD5744R to ADSP2101/ADSP2103 Interface

An interface between the AD5744R and the ADSP2101/ADSP2103 is shown in Figure 43. The ADSP2101/ADSP2103 should be set up to operate in the SPORT transmit alternate framing mode. The ADSP2101/ADSP2103 are programmed as follows: internal clock operation, active low framing, and 24-bit word length.

Transmission is initiated by writing a word to the TX register after the SPORT has been enabled. As the data is clocked out of the DSP on the rising edge of SCLK, no glue logic is required to interface the DSP to the DAC. In the interface shown, the DAC output is updated using the LDAC pin via the DSP. Alternatively, the LDAC input could be tied permanently low, and then the update takes place automatically when TFS is taken high.

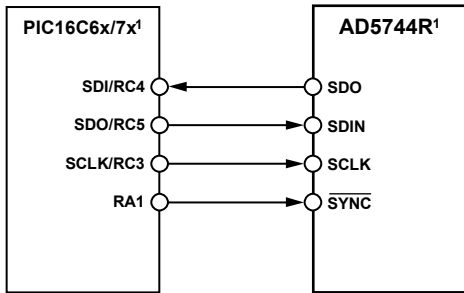


¹ADDITIONAL PINS OMITTED FOR CLARITY

Figure 43. AD5744R to ADSP2101/ADSP2103 Interface

AD5744R to PIC16C6x/7x Interface

The PIC16C6x/7x synchronous serial port (SSP) is configured as an SPI master with the clock polarity bit set to 0. This is done by writing to the synchronous serial port control register (SSPCON). See the *PIC16/17 Microcontroller User Manual*. In this example, I/O port RA1 is being used to pulse SYNC and enable the serial port of the AD5744R. This microcontroller transfers only eight bits of data during each serial transfer operation; therefore, three consecutive write operations are needed. Figure 44 shows the connection diagram.

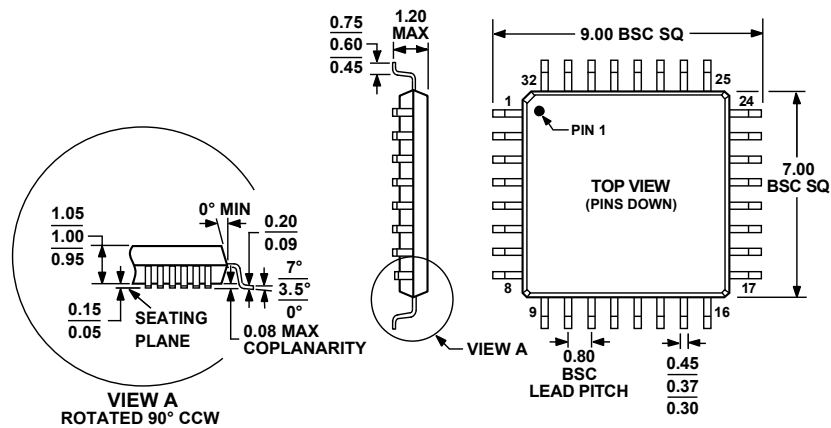


¹ADDITIONAL PINS OMITTED FOR CLARITY

Figure 44. AD5744R to PIC16C6x/7x Interface

06065-089

OUTLINE DIMENSIONS



COMPLIANT TO JEDEC STANDARDS MS-026ABA

Figure 45. 32-Lead Thin Plastic Quad Flat Package [TQFP]
(SU-32-2)

Dimensions shown in millimeters

ORDERING GUIDE¹

Model	Function	INL	Temperature	Internal Reference	Package Description	Package Option
AD5744RBSUZ ²	Quad 14-bit DAC	±2 LSB max	−40°C to +85°C	+5V	32-lead TQFP	SU-32-2
AD5744RBSUZ-REEL ²	Quad 14-bit DAC	±2 LSB max	−40°C to +85°C	+5V	32-lead TQFP	SU-32-2
AD5744RCSUZ ²	Quad 14-bit DAC	±1 LSB max	−40°C to +85°C	+5V	32-lead TQFP	SU-32-2
AD5744RCSUZ-REEL ²	Quad 14-bit DAC	±1 LSB max	−40°C to +85°C	+5V	32-lead TQFP	SU-32-2

¹ Analog Devices reserves the right to ship higher grade devices in place of lower grade.

² Z= Pb-free part.

NOTES

NOTES