

Preliminary User's Manual

μ PD784938 Subseries

16-Bit Single-Chip Microcontrollers

Hardware

μ PD784935

μ PD784936

μ PD784937

μ PD784938

μ PD78F4938

[MEMO]

NOTES FOR CMOS DEVICES

① PRECAUTION AGAINST ESD FOR SEMICONDUCTORS

Note:

Strong electric field, when exposed to a MOS device, can cause destruction of the gate oxide and ultimately degrade the device operation. Steps must be taken to stop generation of static electricity as much as possible, and quickly dissipate it once, when it has occurred. Environmental control must be adequate. When it is dry, humidifier should be used. It is recommended to avoid using insulators that easily build static electricity. Semiconductor devices must be stored and transported in an anti-static container, static shielding bag or conductive material. All test and measurement tools including work bench and floor should be grounded. The operator should be grounded using wrist strap. Semiconductor devices must not be touched with bare hands. Similar precautions need to be taken for PW boards with semiconductor devices on it.

② HANDLING OF UNUSED INPUT PINS FOR CMOS

Note:

No connection for CMOS device inputs can be cause of malfunction. If no connection is provided to the input pins, it is possible that an internal input level may be generated due to noise, etc., hence causing malfunction. CMOS devices behave differently than Bipolar or NMOS devices. Input levels of CMOS devices must be fixed high or low by using a pull-up or pull-down circuitry. Each unused pin should be connected to V_{DD} or GND with a resistor, if it is considered to have a possibility of being an output pin. All handling related to the unused pins must be judged device by device and related specifications governing the devices.

③ STATUS BEFORE INITIALIZATION OF MOS DEVICES

Note:

Power-on does not necessarily define initial status of MOS device. Production process of MOS does not define the initial operation status of the device. Immediately after the power source is turned ON, the devices with reset function have not yet been initialized. Hence, power-on does not guarantee out-pin levels, I/O settings or contents of registers. Device is not initialized until the reset signal is received. Reset operation must be executed immediately after power-on for devices having reset function.

FIP, IEBus, Inter Equipment Bus, and EEPROM are trademarks of NEC Corporation.

MS-DOS, Windows, and Windows NT are either trademarks or registered trademarks of Microsoft Corporation in the United States and/or other countries.

PC/AT is a trademark of International Business Machines Corporation.

SPARCstation is a trademark of SPARC International, Inc.

Solaris and SunOS are trademarks of Sun Microsystems, Inc.

HP9000 Series 700 and HP-UX are trademarks of Hewlett-Packard Company.

NEWS and NEWS-OS are trademarks of Sony Corporation.

Ethernet is a trademark of Xerox Corporation.

OSF/Motif is a trademark of Open Software Foundation, Inc.

TRON is an abbreviation of The Realtime Operating system Nucleus.

ITRON is an abbreviation of Industrial TRON.

The export of these products from Japan is regulated by the Japanese government. The export of some or all of these products may be prohibited without governmental license. To export or re-export some or all of these products from a country other than Japan may also be prohibited without a license from that country. Please call an NEC sales representative.

License not needed: μ PD78F4938
The customer must judge the need for license: μ PD784935, 784936, 784937, 784938

The application circuits and their parameters are for reference only and are not intended for use in actual design-ins.

- **The information contained in this document is being issued in advance of the production cycle for the device. The parameters for the device may change before final production or NEC Corporation, at its own discretion, may withdraw the device prior to its production.**
 - **Not all devices/types available in every country. Please check with local NEC representative for availability and additional information.**
 - No part of this document may be copied or reproduced in any form or by any means without the prior written consent of NEC Corporation. NEC Corporation assumes no responsibility for any errors which may appear in this document.
 - NEC Corporation does not assume any liability for infringement of patents, copyrights or other intellectual property rights of third parties by or arising from use of a device described herein or any other liability arising from use of such device. No license, either express, implied or otherwise, is granted under any patents, copyrights or other intellectual property rights of NEC Corporation or others.
 - Descriptions of circuits, software, and other related information in this document are provided for illustrative purposes in semiconductor product operation and application examples. The incorporation of these circuits, software, and information in the design of the customer's equipment shall be done under the full responsibility of the customer. NEC Corporation assumes no responsibility for any losses incurred by the customer or third parties arising from the use of these circuits, software, and information.
 - While NEC Corporation has been making continuous effort to enhance the reliability of its semiconductor devices, the possibility of defects cannot be eliminated entirely. To minimize risks of damage or injury to persons or property arising from a defect in an NEC semiconductor device, customers must incorporate sufficient safety measures in its design, such as redundancy, fire-containment, and anti-failure features.
 - NEC devices are classified into the following three quality grades:
"Standard", "Special", and "Specific". The Specific quality grade applies only to devices developed based on a customer designated "quality assurance program" for a specific application. The recommended applications of a device depend on its quality grade, as indicated below. Customers must check the quality grade of each device before using it in a particular application.
 - Standard: Computers, office equipment, communications equipment, test and measurement equipment, audio and visual equipment, home electronic appliances, machine tools, personal electronic equipment and industrial robots
 - Special: Transportation equipment (automobiles, trains, ships, etc.), traffic control systems, anti-disaster systems, anti-crime systems, safety equipment and medical equipment (not specifically designed for life support)
 - Specific: Aircraft, aerospace equipment, submersible repeaters, nuclear reactor control systems, life support systems or medical equipment for life support, etc.
- The quality grade of NEC devices is "Standard" unless otherwise specified in NEC's Data Sheets or Data Books. If customers intend to use NEC devices for applications other than those specified for Standard quality grade, they should contact an NEC sales representative in advance.

Regional Information

Some information contained in this document may vary from country to country. Before using any NEC product in your application, please contact the NEC office in your country to obtain a list of authorized representatives and distributors. They will verify:

- Device availability
- Ordering information
- Product release schedule
- Availability of related technical literature
- Development environment specifications (for example, specifications for third-party tools and components, host computers, power plugs, AC supply voltages, and so forth)
- Network requirements

In addition, trademarks, registered trademarks, export restrictions, and other legal issues may also vary from country to country.

NEC Electronics Inc. (U.S.)

Santa Clara, California
Tel: 408-588-6000
800-366-9782
Fax: 408-588-6130
800-729-9288

NEC Electronics (Germany) GmbH

Duesseldorf, Germany
Tel: 0211-65 03 02
Fax: 0211-65 03 490

NEC Electronics (UK) Ltd.

Milton Keynes, UK
Tel: 01908-691-133
Fax: 01908-670-290

NEC Electronics Italiana s.r.l.

Milano, Italy
Tel: 02-66 75 41
Fax: 02-66 75 42 99

NEC Electronics (Germany) GmbH

Benelux Office
Eindhoven, The Netherlands
Tel: 040-2445845
Fax: 040-2444580

NEC Electronics (France) S.A.

Velizy-Villacoublay, France
Tel: 01-30-67 58 00
Fax: 01-30-67 58 99

NEC Electronics (France) S.A.

Spain Office
Madrid, Spain
Tel: 91-504-2787
Fax: 91-504-2860

NEC Electronics (Germany) GmbH

Scandinavia Office
Taeby, Sweden
Tel: 08-63 80 820
Fax: 08-63 80 388

NEC Electronics Hong Kong Ltd.

Hong Kong
Tel: 2886-9318
Fax: 2886-9022/9044

NEC Electronics Hong Kong Ltd.

Seoul Branch
Seoul, Korea
Tel: 02-528-0303
Fax: 02-528-4411

NEC Electronics Singapore Pte. Ltd.

United Square, Singapore 1130
Tel: 65-253-8311
Fax: 65-250-3583

NEC Electronics Taiwan Ltd.

Taipei, Taiwan
Tel: 02-2719-2377
Fax: 02-2719-5951

NEC do Brasil S.A.

Electron Devices Division
Rodovia Presidente Dutra, Km 214
07210-902-Guarulhos-SP Brasil
Tel: 55-11-6465-6810
Fax: 55-11-6465-6829

J99.1

INTRODUCTION

Target Readers	This manual is intended for users who understand the functions of the μ PD784938 Subseries to design application systems.
Purpose	The purpose of this manual is to give users an understanding of the various hardware functions of the μ PD784938 Subseries.
Organization	The μ PD784938 Subseries user's manual is divided into two volumes—hardware (this manual) and instruction.

Hardware

Instruction

Pin functions
Internal block functions
Interrupts
Other internal peripheral functions

CPU functions
Addressing
Instruction set

**Certain operating precautions apply to these products.
These precautions are stated at the relevant points in the text of each chapter, and are also summarized at the end of each chapter. Be sure to read them.**

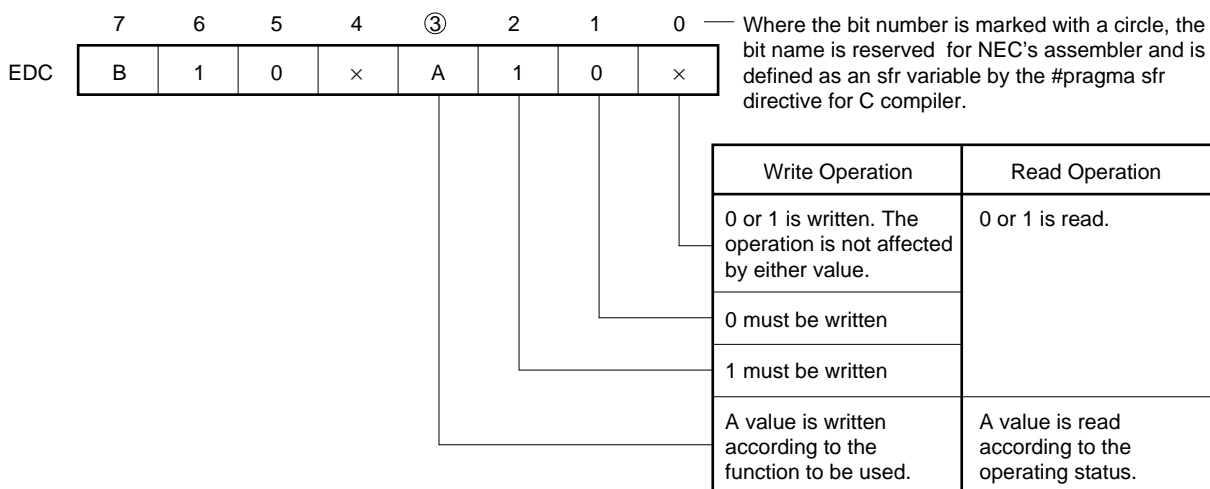
How to Read This Manual Readers are required to have a general knowledge of electric engineering, logic circuits and microcomputers.

- Unless otherwise specified
The μ PD784938 is treated as the representative model. If using the μ PD784935, 784936, 784937, and 78F4938, take the μ PD784938 for the μ PD784935, 784936, 784937, and 78F4938.
- ◆ To understand overall functions of the μ PD784938 Subseries:
→ Read this manual in the order of the **CONTENTS**.
- ◆ To learn about differences from the μ PD784908 Subseries:
→ See **1.8 Main Differences with μ PD784908 Subseries**.
- ◆ If the device operates strangely after debugging:
→ Cautions are summarized at the end of each chapter, so refer to the cautions for the relevant function.
- ◆ To learn the detailed functions of a register whose register name is known:
→ Use **APPENDIX C REGISTER INDEX**.
- ◆ To learn the details of the instruction functions:
→ Refer to **78K/IV Series User's Manual-Instruction (U10905E)** separately available.
- ◆ To learn about the electrical characteristics:
→ Refer to Data Sheets.
- ◆ To learn about application examples of each function:
→ Refer to Application Note separately available.

Conventions

Data significance:	Higher digits on the left and lower digits on the right
Active low representation:	$\overline{\text{xxx}}$ (Overscore over pin or signal name)
Note:	Footnote for item marked with Note in the text
Caution:	Information requiring particular attention
Remark:	Supplementary information
Numerical representation:	Binary $\text{xxx} \times \text{B}$ or $\text{xxx} \times \text{x}$
	Decimal $\text{xxx} \times \text{x}$
	Hexadecimal $\text{xxx} \times \text{H}$

Register Notation



Code combinations marked “Setting prohibited” in the register notations in the text must not be written.

Easily confused characters: 0 (Zero), O (Letter O)

: 1 (One), l (Lowercase letter L), l (Uppercase letter I)

Related Documents The related documents indicated in this publication may include preliminary versions. However, preliminary versions are not marked as such.

Device related documents

Document Name	Document No.	
	Japanese	English
μPD784935, 784936, 784937, 784938 Data Sheet	U13572J	U13572E
μPD78F4938 Preliminary Product Information	U13573J	U13573E
μPD784938 Subseries Special Function Register Table	To be prepared	—
μPD784938 Subseries User's Manual - Hardware	U13987J	This manual
78K/IV Series Application Note - Software Basics	U10095J	U10095E
78K/IV Series User's Manual - Instruction	U10905J	U10905E
78K/IV Series Instruction Table	U10594J	—
78K/IV Series Instruction Set	U10595J	—

Documents for development tools (User's Manuals)

Document Name		Document No.	
		Japanese	English
RA78K4 Assembler Package	Operation	U11334J	U11334E
	Language	U11162J	U11162E
RA78K4 Structured Assembler Preprocessor		U11743J	U11743E
CC78K4 C Compiler	Operation	U11517J	U11517E
	Language	U11518J	U11518E
IE-78K4-NS		U13356J	U13356E
IE-784000-R		U12903J	EEU-1534
IE-784937-NS-EM1		To be prepared	To be prepared
IE-784937-R-EM1		To be prepared	—
EP-78064		EEU-934	EEU-1469
SM78K4 System Simulator Windows™ Based	Reference	U10093J	U10093E
SM78K Series System Simulator	External component user open interface specification	U10092J	U10092E
ID-78K4-NS Integrated Debugger	Reference	U12796J	U12796E
ID78K4 Integrated Debugger Windows Based	Reference	U10440J	U10440E
ID78K4 Integrated Debugger HP-UX™, SunOS™, NEWS-OS™ Based	Reference	U11960J	U11960E

Documents for embedded software (User's Manuals)

Document Name		Document No.	
		Japanese	English
78K/IV Series Real-Time OS	Fundamental	U10603J	U10603E
	Installation	U10604J	U10604E
	Debugger	U10364J	—
78K/IV Series OS MX78K4	Basics	U11779J	—

Caution The related documents listed above are subject to change without notice. Be sure to use the latest version of each document for designing.

Other documents

Document Name	Document No.	
	Japanese	English
SEMICONDUCTORS SELECTION GUIDE Products & Packages (CD-ROM)	X13769X	
Semiconductor Device Mounting Technology Manual	C10535J	C10535E
Quality Grades on NEC Semiconductor Device	C11531J	C11531E
NEC Semiconductor Device Reliability/Quality Control System	C10983J	C10983E
Guide to Prevent Damage for Semiconductor Devices by Electrostatic Discharge (ESD)	C11892J	C11892E
Guide to Microcomputer-Related Products by Third Party	U11416J	—

Caution The related documents listed above are subject to change without notice. Be sure to use the latest version of each document for designing.

[MEMO]

CONTENTS

CHAPTER 1 GENERAL	39
1.1 Features	41
1.2 Ordering Information	42
1.3 Pin Configuration (Top View)	43
1.3.1 Normal operation mode	43
1.4 Application System Configuration Example (Car Audio (Tuner, Deck))	45
1.5 Block Diagram	46
1.6 List of Functions	47
1.7 Differences among Products in μPD784938 Subseries	50
1.8 Main Differences with μPD784908 Subseries	50
CHAPTER 2 PIN FUNCTIONS	51
2.1 Pin Function Lists	51
2.1.1 Normal operation mode	51
2.2 Pin Functions	55
2.2.1 Normal operation mode	55
2.3 Input/Output Circuits and Connection of Unused Pins	62
2.4 Cautions	65
CHAPTER 3 CPU ARCHITECTURE	67
3.1 Memory Space	67
3.2 Internal ROM Area	73
3.3 Base Area	74
3.3.1 Vector table area	75
3.3.2 CALLT instruction table area	76
3.3.3 CALLF instruction entry area	76
3.4 Internal Data Area	77
3.4.1 Internal RAM area	78
3.4.2 Special function register (SFR) area	81
3.4.3 External SFR area	81
3.5 External Memory Space	81
3.6 μPD78F4938 Memory Mapping	82
3.7 Control Registers	83
3.7.1 Program counter (PC)	83
3.7.2 Program status word (PSW)	83
3.7.3 Use of RSS bit	86
3.7.4 Stack pointer (SP)	88
3.8 General-Purpose Registers	92
3.8.1 Configuration	92
3.8.2 Functions	94
3.9 Special Function Registers (SFR)	97
3.10 Cautions	103
CHAPTER 4 CLOCK GENERATOR	105
4.1 Configuration and Function	105

4.2	Control Registers	107
4.2.1	Standby control register (STBC)	107
4.2.2	Oscillation stabilization time specification register (OSTS)	109
4.3	Clock Generator Operation	110
4.3.1	Clock oscillator	110
4.3.2	Divider	110
4.4	Cautions	111
4.4.1	When an external clock is input	111
4.4.2	When crystal/ceramic oscillation is used	112
CHAPTER 5	REGULATOR	115
5.1	Outline of Regulator	115
CHAPTER 6	PORT FUNCTIONS	117
6.1	Digital Input/Output Ports	117
6.2	Port 0	119
6.2.1	Hardware configuration	119
6.2.2	I/O mode/control mode setting	120
6.2.3	Operating status	121
6.2.4	On-chip pull-up resistors	123
6.2.5	Transistor drive	125
6.3	Port 1	126
6.3.1	Hardware configuration	127
6.3.2	I/O mode/control mode setting	131
6.3.3	Operating status	132
6.3.4	On-chip pull-up resistors	135
6.3.5	Direct LED drive	136
6.4	Port 2	137
6.4.1	Hardware configuration	139
6.4.2	Input mode/control mode setting	141
6.4.3	Operating status	141
6.4.4	On-chip pull-up resistors	141
6.5	Port 3	143
6.5.1	Hardware configuration	144
6.5.2	I/O mode/control mode setting	148
6.5.3	Operating status	150
6.5.4	On-chip pull-up resistors	153
6.6	Port 4	155
6.6.1	Hardware configuration	155
6.6.2	I/O mode/control mode setting	156
6.6.3	Operating status	157
6.6.4	On-chip pull-up resistors	159
6.6.5	Direct LED drive	161
6.7	Port 5	162
6.7.1	Hardware configuration	162
6.7.2	I/O mode/control mode setting	163
6.7.3	Operating status	164
6.7.4	On-chip pull-up resistors	166

6.7.5	Direct LED drive	168
6.8	Port 6	169
6.8.1	Hardware configuration	170
6.8.2	I/O mode/control mode setting	174
6.8.3	Operating status	176
6.8.4	On-chip pull-up resistors	178
6.9	Port 7	179
6.9.1	Hardware configuration	179
6.9.2	I/O mode/control mode setting	180
6.9.3	Operating status	181
6.9.4	On-chip pull-up resistors	182
6.9.5	Caution	182
6.10	Port 9	183
6.10.1	Hardware configuration	183
6.10.2	I/O mode/control mode setting	184
6.10.3	Operating status	185
6.10.4	On-chip pull-up resistors	187
6.11	Port 10	188
6.11.1	Hardware configuration	189
6.11.2	I/O mode/control mode setting	193
6.11.3	Operating status	194
6.11.4	On-chip pull-up resistors	197
6.12	Port Output Check Function	198
6.13	Cautions	199
CHAPTER 7	REAL-TIME OUTPUT FUNCTION	201
7.1	Configuration and Function	201
7.2	Real-time Output Port Control Register (RTPC).....	203
7.3	Real-time Output Port Accesses	204
7.4	Operation	206
7.5	Example of Use	209
7.6	Cautions	211
CHAPTER 8	OUTLINE OF TIMER	213
CHAPTER 9	TIMER/EVENT COUNTER 0	215
9.1	Functions	215
9.2	Configuration	218
9.3	Timer/Event Counter 0 Control Registers.....	221
9.4	Timer Counter 0 (TM0) Operation	226
9.4.1	Basic operation	226
9.4.2	Clear operation	228
9.5	External Event Counter Function	230
9.6	Compare Register and Capture Register Operation.....	233
9.6.1	Compare operations	233
9.6.2	Capture operations	235
9.7	Basic Operation of Output Control Circuit	236
9.7.1	Basic operation	238

9.7.2	Toggle output	238
9.7.3	PWM output	240
9.7.4	PPG output	245
9.7.5	Software triggered one-shot pulse output	251
9.8	Examples of Use	252
9.8.1	Operation as interval timer (1)	252
9.8.2	Operation as interval timer (2)	254
9.8.3	Pulse width measurement operation	256
9.8.4	Operation as PWM output	259
9.8.5	Operation as PPG output	262
9.8.6	Example of software triggered one-shot pulse output	265
9.9	Cautions	268
CHAPTER 10	TIMER/EVENT COUNTER 1	271
10.1	Functions	271
10.2	Configuration	273
10.3	Timer/Event Counter 1 Control Registers	277
10.4	Timer Counter 1 (TM1) Operation	280
10.4.1	Basic operation	280
10.4.2	Clear operation	283
10.5	External Event Counter Function	285
10.6	Compare Register and Capture/Compare Register Operation	288
10.6.1	Compare operations	288
10.6.2	Capture operations	290
10.7	Examples of Use	293
10.7.1	Operation as interval timer (1)	293
10.7.2	Operation as interval timer (2)	296
10.7.3	Pulse width measurement operation	298
10.8	Cautions	301
CHAPTER 11	TIMER/EVENT COUNTER 2	305
11.1	Functions	305
11.2	Configuration	308
11.3	Timer/Event Counter 2 Control Registers	312
11.4	Timer Counter 2 (TM2) Operation	316
11.4.1	Basic operation	316
11.4.2	Clear operation	319
11.5	External Event Counter Function	321
11.6	One-Shot Timer Function	324
11.7	Compare Register, Capture/Compare Register, and Capture Register Operation	325
11.7.1	Compare operations	325
11.7.2	Capture operations	327
11.8	Basic Operation of Output Control Circuit	330
11.8.1	Basic operation	332
11.8.2	Toggle output	332
11.8.3	PWM output	334
11.8.4	PPG output	340
11.9	Examples of Use	347

11.9.1	Operation as interval timer (1)	347
11.9.2	Operation as interval timer (2)	350
11.9.3	Pulse width measurement operation	353
11.9.4	Operation as PWM output	356
11.9.5	Operation as PPG output	360
11.9.6	Operation as external event counter	364
11.9.7	Operation as one-shot timer	366
11.10	Cautions	369
CHAPTER 12	TIMER 3	373
12.1	Function	373
12.2	Configuration	374
12.3	Timer 3 Control Registers	376
12.4	Timer Counter 3 (TM3) Operation	378
12.4.1	Basic operation	378
12.4.2	Clear operation	380
12.5	Compare Register Operation	382
12.6	Example of Use	383
12.7	Cautions	385
CHAPTER 13	WATCHDOG TIMER	387
13.1	Configuration	387
13.2	Watchdog Timer Mode Register (WDM)	388
13.3	Operation	390
13.3.1	Count operation	390
13.3.2	Interrupt priorities	390
13.4	Cautions	391
13.4.1	General cautions on use of watchdog timer	391
13.4.2	Cautions on μ PD784938 Subseries watchdog timer	392
CHAPTER 14	WATCH TIMER	393
CHAPTER 15	PWM OUTPUT UNIT	395
15.1	PWM Output Unit Configuration	395
15.2	PWM Output Unit Control Registers	397
15.2.1	PWM control register (PWMC)	397
15.2.2	PWM prescaler register (PWPR)	398
15.2.3	PWM modulo registers (PWM0, PWM1)	398
15.3	PWM Output Unit Operation	399
15.3.1	Basic PWM output operation	399
15.3.2	PWM pulse output enabling/disabling	400
15.3.3	PWM pulse active level specification	400
15.3.4	PWM pulse width rewrite cycle specification	401
15.4	Caution	402
CHAPTER 16	A/D CONVERTER	403
16.1	Configuration	403
16.2	A/D Converter Mode Register (ADM)	407

16.3	A/D Current Cut Select Register (IEAD)	410
16.4	Operation	411
16.4.1	Basic A/D converter operation	411
16.4.2	Select mode	415
16.4.3	Scan mode	416
16.4.4	A/D conversion operation start by software	418
16.4.5	A/D conversion operation start by hardware	420
16.5	External Circuit of A/D Converter	423
16.6	Cautions	423
CHAPTER 17 OUTLINE OF SERIAL INTERFACE		425
CHAPTER 18 ASYNCHRONOUS SERIAL INTERFACE/3-WIRE SERIAL I/O		427
18.1	Switching between Asynchronous Serial Interface Mode and 3-Wire Serial I/O Mode ..	428
18.2	Asynchronous Serial Interface Mode	429
18.2.1	Configuration in asynchronous serial interface mode	429
18.2.2	Asynchronous serial interface control registers	432
18.2.3	Data format	435
18.2.4	Parity types and operations	436
18.2.5	Transmission	437
18.2.6	Reception	438
18.2.7	Receive errors	439
18.3	3-Wire Serial I/O Mode	440
18.3.1	Configuration in 3-wire serial I/O mode	440
18.3.2	Clocked serial interface mode registers (CSIM1, CSIM2)	443
18.3.3	Basic operation timing	444
18.3.4	Operation when transmission only is enabled	446
18.3.5	Operation when reception only is enabled	446
18.3.6	Operation when transmission/reception is enabled	447
18.3.7	Corrective action in case of slippage of serial clock and shift operations	447
18.4	Baud Rate Generator	448
18.4.1	Baud rate generator configuration	448
18.4.2	Baud rate generator control register (BRGC, BRGC2)	450
18.4.3	Baud rate generator operation	452
18.4.4	Baud rate setting in asynchronous serial interface mode	454
18.5	Cautions	456
CHAPTER 19 3-WIRE SERIAL I/O MODE		457
19.1	Function	457
19.2	Configuration	458
19.3	Control Registers	459
19.3.1	Clocked serial interface mode register (CSIM, CSIM3)	459
19.4	3-Wire Serial I/O Mode	461
19.4.1	Basic operation timing	462
19.4.2	Operation when transmission only is enabled	464
19.4.3	Operation when reception only is enabled	465
19.4.4	Operation when transmission/reception is enabled	465
19.4.5	Corrective action in case of slippage of serial clock and shift operations	465

CHAPTER 20 IEBus CONTROLLER	467
20.1 IEBus Controller Function	467
20.1.1 Communication protocol of IEBus	467
20.1.2 Determination of bus mastership (arbitration)	468
20.1.3 Communication mode	468
20.1.4 Communication address	468
20.1.5 Broadcasting communication	469
20.1.6 Transmission format of IEBus	469
20.1.7 Transmit data	477
20.1.8 Bit format	479
20.2 Simple IEBus Controller	480
20.3 IEBus Controller Configuration	481
20.4 Internal Registers of IEBus Controller	483
20.4.1 Internal register list	483
20.4.2 Description of internal registers	484
20.5 Interrupt Operations of IEBus Controller	500
20.5.1 Interrupt control block	500
20.5.2 Interrupt source list	501
20.6 Interrupt Generation Timing and Main CPU Processing.....	502
20.6.1 Master transmission	502
20.6.2 Master reception	504
20.6.3 Slave transmission	505
20.6.4 Slave reception	506
20.6.5 Interval of occurrence of interrupt for IEBus control	507
20.7 Cautions when Using IEBus Controller	510
 CHAPTER 21 CLOCK OUTPUT FUNCTION	 511
21.1 Configuration	511
21.2 Clock Output Mode Register (CLOM)	513
21.3 Operation	514
21.3.1 Clock output	514
21.3.2 1-bit output port	515
21.3.3 Operation in standby mode	515
21.4 Cautions	515
 CHAPTER 22 EDGE DETECTION FUNCTION	 517
22.1 Edge Detection Function Control Registers	517
22.1.1 External interrupt mode registers (INTM0, INTM1)	517
22.1.2 Sampling clock selection register (SCS0)	520
22.2 Edge Detection for Pins P20, P25, and P26	521
22.3 P21 Pin Edge Detection	522
22.4 Pin Edge Detection for Pins P22 to P24	523
22.5 Cautions	524
 CHAPTER 23 INTERRUPT FUNCTIONS	 525
23.1 Interrupt Request Sources	526
23.1.1 Software interrupts	528
23.1.2 Operand error interrupts	528

23.1.3	Non-maskable interrupts	528
23.1.4	Maskable interrupts	528
23.2	Interrupt Service Modes	529
23.2.1	Vectored interrupt service	529
23.2.2	Macro service	529
23.2.3	Context switching	529
23.3	Interrupt Service Control Registers	530
23.3.1	Interrupt control registers	533
23.3.2	Interrupt mask registers (MK0/MK1)	538
23.3.3	In-service priority register (ISPR)	540
23.3.4	Interrupt mode control register (IMC)	541
23.3.5	Watchdog timer mode register (WDM)	542
23.3.6	Program status word (PSW)	543
23.4	Software Interrupt Acknowledgment Operations	544
23.4.1	BRK instruction software interrupt acknowledgment operation	544
23.4.2	BRKCS instruction software interrupt (software context switching) acknowledgment operation	544
23.5	Operand Error Interrupt Acknowledgment Operation	546
23.6	Non-Maskable Interrupt Acknowledgment Operation	546
23.7	Maskable Interrupt Acknowledgment Operation	550
23.7.1	Vectored interrupt	552
23.7.2	Context switching	552
23.7.3	Maskable interrupt priority levels	554
23.8	Macro Service Function	560
23.8.1	Outline of macro service function	560
23.8.2	Types of macro service	560
23.8.3	Basic macro service operation	563
23.8.4	Operation at end of macro service	564
23.8.5	Macro service control registers	566
23.8.6	Macro service type A	569
23.8.7	Macro service type B	574
23.8.8	Macro service type C	579
23.8.9	Counter mode	592
23.9	When Interrupt Requests and Macro Service are Temporarily Held Pending	594
23.10	Instructions whose Execution is Temporarily Suspended by an Interrupt or Macro Service	596
23.11	Interrupt and Macro Service Operation Timing	596
23.11.1	Interrupt acknowledge processing time	597
23.11.2	Processing time of macro service	598
23.12	Restoring Interrupt Function to Initial State	599
23.13	Cautions	600
CHAPTER 24	LOCAL BUS INTERFACE FUNCTION	603
24.1	Memory Expansion Function	603
24.1.1	Memory expansion mode register (MM)	603
24.1.2	Memory map with external memory expansion	605
24.1.3	Basic operation of local bus interface	614
24.2	Wait Function	615

24.2.1	Wait function control registers	615
24.2.2	Address waits	618
24.2.3	Access waits	621
24.3	Pseudo-Static RAM Refresh Function	628
24.3.1	Control registers	629
24.3.2	Operations	630
24.4	Bus Hold Function	634
24.4.1	Hold mode register (HLDM)	634
24.4.2	Operation	635
24.5	Cautions	636
CHAPTER 25	STANDBY FUNCTION	637
25.1	Configuration and Function	637
25.2	Control Registers	639
25.2.1	Standby control register (STBC)	639
25.2.2	Oscillation stabilization time specification register (OSTS)	641
25.3	HALT Mode	642
25.3.1	HALT mode setting and operating status	642
25.3.2	HALT mode release	642
25.4	STOP Mode	646
25.4.1	STOP mode setting and operating status	646
25.4.2	STOP mode release	647
25.5	IDLE Mode	650
25.5.1	IDLE mode setting and operating status	650
25.5.2	IDLE mode release	651
25.6	Check Items when STOP Mode/IDLE Mode is Used	653
25.7	Cautions	655
CHAPTER 26	RESET FUNCTION	657
26.1	Reset Function	657
26.2	Caution	662
CHAPTER 27	ROM CORRECTION	663
27.1	ROM Correction Functions	663
27.2	ROM Correction Configuration	665
27.3	Control Register for ROM Correction	667
27.4	Use of ROM Correction	669
27.5	Conditions for Executing ROM Correction	670
CHAPTER 28	μPD78F4938 PROGRAMMING	671
28.1	Internal Memory Size Switching Register (IMS)	672
28.2	Flash Memory Programming Using Flashpro II and Flashpro III	673
28.2.1	Selecting communication mode	673
28.2.2	Flash memory programming functions	674
28.2.3	Connecting Flashpro II or Flashpro III	675
CHAPTER 29	INSTRUCTION OPERATIONS	677
29.1	Conventions	677

29.2	List of Operations	681
29.3	Instructions Listed by Type of Addressing	705
APPENDIX A DEVELOPMENT TOOLS		709
A.1	Language Processing Software	712
A.2	Flash Memory Programming Tools	713
A.3	Debugging Tools	714
	A.3.1 Hardware	714
	A.3.2 Software	716
A.4	Drawings of Conversion Socket (EV-9200GF-100) and Recommended Board Mounting Pattern	718
A.5	Check Sheet for μ PD784938 Subseries Development Tools	720
APPENDIX B EMBEDDED SOFTWARE		723
APPENDIX C REGISTER INDEX.....		725
C.1	Register Name Index	725
C.2	Register Symbol Index	728

LIST OF FIGURES (1/12)

Figure No.	Title	Page
2-1	Pin Input/Output Circuits	64
3-1	μ PD784935 Memory Map	69
3-2	μ PD784936 Memory Map	70
3-3	μ PD784937 Memory Map	71
3-4	μ PD784938, 78F4938 Memory Map	72
3-5	Internal RAM Memory Map	79
3-6	Internal Memory Size Switching Register (IMS)	82
3-7	Program Counter (PC) Format	83
3-8	Program Status Word (PSW) Format	83
3-9	Stack Pointer (SP) Format	88
3-10	Data Saved to Stack Area	89
3-11	Data Restored from Stack Area	90
3-12	General-Purpose Register Format	92
3-13	General-Purpose Register Addresses	93
4-1	Clock Generator Block Diagram	105
4-2	Clock Oscillator External Circuitry	106
4-3	Standby Control Register (STBC) Format	108
4-4	Oscillation Stabilization Time Specification Register (OSTS) Format	109
4-5	Signal Extraction with External Clock Input	111
4-6	Cautions on Resonator Connection	112
4-7	Incorrect Example of Resonator Connection	113
5-1	Regulator Peripherals Block Diagram	115
6-1	Port Configuration	117
6-2	Port 0 Block Diagram	119
6-3	Port 0 Mode Register (PM0) Format	120
6-4	Port Specified as Output Port	121
6-5	Port Specified as Input Port	122
6-6	Pull-Up Resistor Option Register L (PUOL) Format	123
6-7	Pull-Up Resistor Specification (Port 0)	124
6-8	Example of Transistor Drive	125
6-9	P12 (Port 1) Block Diagram	127
6-10	P13 (Port 1) Block Diagram	128
6-11	P14 (Port 1) Block Diagram	129
6-12	Block Diagram of P10, P11, and P15 to P17 (Port 1)	130
6-13	Port 1 Mode Register (PM1) Format	131
6-14	Port 1 Mode Control Register (PMC1) Format	131
6-15	Port Specified as Output Port	132

LIST OF FIGURES (2/12)

Figure No.	Title	Page
6-16	Port Specified as Input Port	133
6-17	Control Specification	134
6-18	Pull-Up Resistor Option Register L (PUOL) Format	135
6-19	Pull-Up Resistor Specification (Port 1)	136
6-20	Example of Direct LED Drive	136
6-21	Block Diagram of P20 to P24, P26, and P27 (Port 2)	139
6-22	P25 (Port 2) Block Diagram	140
6-23	Port Specified as Input Port	141
6-24	Pull-Up Resistor Option Register L (PUOL) Format	141
6-25	Pull-Up Specification (Port 2)	142
6-26	P30 (Port 3) Block Diagram	144
6-27	Block Diagram of P31 and P34 to P37 (Port 3)	145
6-28	P32 (Port 3) Block Diagram	146
6-29	P33 (Port 3) Block Diagram	147
6-30	Port 3 Mode Register (PM3) Format.....	148
6-31	Port 3 Mode Control Register (PMC3) Format	149
6-32	Port Specified as Output Port	150
6-33	Port Specified as Input Port	151
6-34	Control Specification	152
6-35	Pull-Up Resistor Option Register L (PUOL) Format	153
6-36	Pull-Up Specification (Port 3)	154
6-37	Port 4 Block Diagram	155
6-38	Port 4 Mode Register (PM4) Format.....	156
6-39	Port Specified as Output Port	157
6-40	Port Specified as Input Port	158
6-41	Pull-Up Resistor Option Register L (PUOL) Format	159
6-42	Pull-Up Specification (Port 4)	160
6-43	Example of Direct LED Drive	161
6-44	Port 5 Block Diagram	162
6-45	Port 5 Mode Register (PM5) Format.....	163
6-46	Port Specified as Output Port	164
6-47	Port Specified as Input Port	165
6-48	Pull-Up Resistor Option Register L (PUOL) Format	166
6-49	Pull-Up Specification (Port 5)	167
6-50	Example of Direct LED Drive	168
6-51	P60 to P63 (Port 6) Block Diagram	170
6-52	P64 and P65 (Port 6) Block Diagram	171
6-53	P66 (Port 6) Block Diagram	172
6-54	P67 (Port 6) Block Diagram	173
6-55	Port 6 Mode Register (PM6) Format.....	175
6-56	Port Specified as Output Port	176

LIST OF FIGURES (3/12)

Figure No.	Title	Page
6-57	Port Specified as Input Port	177
6-58	Pull-Up Resistor Option Register L (PUOL) Format	178
6-59	Pull-Up Specification (Port 6)	178
6-60	Port 7 Block Diagram	179
6-61	Port 7 Mode Register (PM7) Format	180
6-62	Port Specified as Output Port	181
6-63	Port Specified as Input Port	182
6-64	Port 9 Block Diagram	183
6-65	Port 9 Mode Register (PM9) Format	184
6-66	Port Specified as Output Port	185
6-67	Port Specified as Input Port	186
6-68	Pull-Up Resistor Option Register H (PUOH) Format	187
6-69	Pull-Up Specification (Port 9)	187
6-70	P100 to P104 (Port 10) Block Diagram	189
6-71	P105 (Port 10) Block Diagram	190
6-72	P106 (Port 10) Block Diagram	191
6-73	P107 (Port 10) Block Diagram	192
6-74	Port 10 Mode Register (PM10) Format	193
6-75	Port 10 Mode Control Register (PMC10) Format	193
6-76	Port Specified as Output Port	194
6-77	Port Specified as Input Port	195
6-78	Control Specification	196
6-79	Pull-Up Resistor Option Register H (PUOH) Format	197
6-80	Pull-Up Specification (Port 10)	197
7-1	Real-Time Output Port Block Diagram	202
7-2	Real-Time Output Port Control Register (RTPC) Format	203
7-3	Port 0 Buffer Register (P0H, P0L) Configuration	204
7-4	Real-Time Output Port Operation Timing	207
7-5	Real-Time Output Port Operation Timing (2-channel independent control example)	208
7-6	Real-Time Output Port Operation Timing	209
7-7	Real-Time Output Function Control Register Settings	210
7-8	Real-Time Output Function Setting Procedure	210
7-9	Interrupt Request Servicing when Real-Time Output Function is Used	211
8-1	Timer Block Diagram	214
9-1	Timer/Event Counter 0 Block Diagram	219
9-2	Timer Control Register 0 (TMC0) Format	221
9-3	Prescaler Mode Register 0 (PRM0) Format	222
9-4	Capture/Compare Control Register 0 (CRC0) Format	223

LIST OF FIGURES (4/12)

Figure No.	Title	Page
9-5	Timer Output Control Register (TOC) Format	224
9-6	One-Shot Pulse Output Control Register (OSPC) Format	225
9-7	Basic Operation of Timer Counter 0 (TM0)	227
9-8	TM0 Clearance by Match with Compare Register (CR01)	228
9-9	Clear Operation when CE0 Bit is Cleared (0)	229
9-10	Timer/Event Counter 0 External Event Count Timing	230
9-11	Example of the Case where the External Event Counter does Not Distinguish between One Valid Edge Input and No Valid Edge Input	231
9-12	To Distinguish whether One or No Valid Edge has been Input with External Event Counter	232
9-13	Compare Operation	233
9-14	TM0 Clearance After Match Detection	234
9-15	Capture Operation	235
9-16	Toggle Output Operation	238
9-17	PWM Pulse Output	240
9-18	Example of PWM Output Using TM0	241
9-19	Example of PWM Output when CR00 = FFFFH	241
9-20	Example of Compare Register (CR00) Rewrite	242
9-21	Example of 100% Duty with PWM Output	243
9-22	When Timer/Event Counter 0 is Stopped During PWM Signal Output	244
9-23	Example of PPG Output Using TM0	245
9-24	Example of PPG Output when CR00 = CR01	246
9-25	Example of Compare Register (CR00) Rewrite	247
9-26	Example of 100% Duty with PPG Output	248
9-27	Example of Extended PPG Output Cycle	249
9-28	When Timer/Event Counter 0 is Stopped During PPG Signal Output	250
9-29	Example of Software Triggered One-Shot Pulse Output	251
9-30	Interval Timer Operation (1) Timing	252
9-31	Control Register Settings for Interval Timer Operation (1)	253
9-32	Interval Timer Operation (1) Setting Procedure	253
9-33	Interval Timer Operation (1) Interrupt Request Servicing	253
9-34	Interval Timer Operation (2) Timing	254
9-35	Control Register Settings for Interval Timer Operation (2)	255
9-36	Interval Timer Operation (2) Setting Procedure	255
9-37	Pulse Width Measurement Timing	256
9-38	Control Register Settings for Pulse Width Measurement	257
9-39	Pulse Width Measurement Setting Procedure	257
9-40	Interrupt Request Servicing that Calculates Pulse Width	258
9-41	Example of Timer/Event Counter 0 PWM Signal Output	259
9-42	Control Register Settings for PWM Output Operation	259
9-43	PWM Output Setting Procedure	260
9-44	Changing PWM Output Duty	261

LIST OF FIGURES (5/12)

Figure No.	Title	Page
9-45	Example of Timer/Event Counter 0 PPG Signal Output	262
9-46	Control Register Settings for PPG Output Operation	262
9-47	PPG Output Setting Procedure	263
9-48	Changing PPG Output Duty	264
9-49	Example of Timer/Event Counter 0 One-Shot Pulse Output	265
9-50	Control Register Settings for One-Shot Pulse Output	266
9-51	One-Shot Pulse Output Setting Procedure	267
9-52	Operation when Counting is Started	268
9-53	Example of the Case where the External Event Counter does Not Distinguish between One Valid Edge Input and No Valid Edge Input	269
9-54	To Distinguish whether One or No Valid Edge has been Input with External Event Counter	270
10-1	Timer/Event Counter 1 Block Diagram	274
10-2	Timer Control Register 1 (TMC1) Format	277
10-3	Prescaler Mode Register 1 (PRM1) Format	278
10-4	Capture/Compare Control Register 1 (CRC1) Format	279
10-5	Basic Operation in 8-Bit Operation Mode (BW1 = 0)	281
10-6	Basic Operation in 16-Bit Operation Mode (BW1 = 1)	282
10-7	TM1 Clearance by Match with Compare Register (CR10, CR11)	283
10-8	TM1 Clearance after Capture Operation	283
10-9	Clear Operation when CE1 Bit is Cleared (to 0)	284
10-10	Timer/Event Counter 1 External Event Count Timing	285
10-11	Example of the Case where the External Event Counter does Not Distinguish between One Valid Edge Input and No Valid Edge Input	286
10-12	To Distinguish whether One or No Valid Edge has been Input with External Event Counter	287
10-13	Compare Operation in 8-Bit Operation Mode	288
10-14	Compare Operation in 16-Bit Operation Mode	289
10-15	TM1 Clearance after Match Detection	289
10-16	Capture Operation in 8-Bit Operation Mode	290
10-17	Capture Operation in 16-Bit Operation Mode	291
10-18	TM1 Clearance after Capture Operation	292
10-19	Interval Timer Operation (1) Timing	293
10-20	Control Register Settings for Interval Timer Operation (1)	294
10-21	Interval Timer Operation (1) Setting Procedure	295
10-22	Interval Timer Operation (1) Interrupt Request Servicing	295
10-23	Interval Timer Operation (2) Timing (when CR11 is used as Compare Register)	296
10-24	Control Register Settings for Interval Timer Operation (2)	297
10-25	Interval Timer Operation (2) Setting Procedure	297
10-26	Pulse Width Measurement Timing (when CR11 is used as Capture Register)	298
10-27	Control Register Settings for Pulse Width Measurement	299
10-28	Pulse Width Measurement Setting Procedure	300

LIST OF FIGURES (6/12)

Figure No.	Title	Page
10-29	Interrupt Request Servicing that Calculates Pulse Width	300
10-30	Operation when Counting is Started	301
10-31	Example of the Case where the External Event Counter does Not Distinguish between One Valid Edge Input and No Valid Edge Input	302
10-32	To Distinguish whether One or No Valid Edge has been Input with External Event Counter	303
11-1	Timer/Event Counter 2 Block Diagram	309
11-2	Timer Control Register 1 (TMC1) Format	312
11-3	Prescaler Mode Register 1 (PRM1) Format	313
11-4	Capture/Compare Control Register 2 (CRC2) Format	314
11-5	Timer Output Control Register (TOC) Format	315
11-6	Basic Operation in 8-Bit Operation Mode (BW2 = 0)	317
11-7	Basic Operation in 16-Bit Operation Mode (BW2 = 1)	318
11-8	TM2 Clearance by Match with Compare Register (CR20/CR21)	319
11-9	TM2 Clearance after Capture Operation	319
11-10	Clear Operation when CE2 Bit is Cleared (0)	320
11-11	Timer/Event Counter 2 External Event Count Timing	321
11-12	Example of the Case where the External Event Counter does Not Distinguish between One Valid Edge Input and No Valid Edge Input	322
11-13	To Distinguish whether One or No Valid Edge has been Input with External Event Counter	323
11-14	One-Shot Timer Operation	324
11-15	Compare Operation in 8-Bit Operation Mode	325
11-16	Compare Operation in 16-Bit Operation Mode	326
11-17	TM2 Clearance after Match Detection	327
11-18	Capture Operation in 8-Bit Operation Mode	328
11-19	Capture Operation in 16-Bit Operation Mode	329
11-20	TM2 Clearance after Capture Operation	330
11-21	Toggle Output Operation	332
11-22	PWM Pulse Output (BW2 = 0)	335
11-23	PWM Pulse Output (BW2 = 1)	336
11-24	Example of PWM Output Using TM2W	337
11-25	Example of PWM Output when CR20W = FFFFH	337
11-26	Example of Compare Register (CR20W) Rewrite	338
11-27	Example of 100% Duty with PWM Output	338
11-28	When Timer/Event Counter 2 is Stopped During PWM Signal Output	339
11-29	Example of PPG Output Using TM2	341
11-30	Example of PPG Output when CR20 = CR21	342
11-31	Example of Compare Register Rewrite	343
11-32	Example of 100% Duty with PPG Output	344
11-33	Example of Extended PPG Output Cycle	345
11-34	When Timer/Event Counter 2 is Stopped During PPG Signal Output	346

LIST OF FIGURES (7/12)

Figure No.	Title	Page
11-35	Interval Timer Operation (1) Timing	347
11-36	Control Register Settings for Interval Timer Operation (1)	348
11-37	Interval Timer Operation (1) Setting Procedure	349
11-38	Interval Timer Operation (1) Interrupt Request Servicing	349
11-39	Interval Timer Operation (2) Timing	350
11-40	Control Register Settings for Interval Timer Operation (2)	351
11-41	Interval Timer Operation (2) Setting Procedure	352
11-42	Pulse Width Measurement Timing	353
11-43	Control Register Settings for Pulse Width Measurement	354
11-44	Pulse Width Measurement Setting Procedure	355
11-45	Interrupt Request Servicing that Calculates Pulse Width	355
11-46	Example of Timer/Event Counter 2 PWM Signal Output	356
11-47	Control Register Settings for PWM Output Operation	357
11-48	PWM Output Setting Procedure	358
11-49	Changing PWM Output Duty	359
11-50	Example of Timer/Event Counter 2 PPG Signal Output	360
11-51	Control Register Settings for PPG Output Operation	361
11-52	PPG Output Setting Procedure	362
11-53	Changing PPG Output Duty	363
11-54	External Event Counter Operation (single edge)	364
11-55	Control Register Settings for External Event Counter Operation	365
11-56	External Event Counter Operation Setting Procedure	365
11-57	One-Shot Timer Operation	366
11-58	Control Register Settings for One-Shot Timer Operation	367
11-59	One-Shot Timer Operation Setting Procedure	368
11-60	One-Shot Timer Operation Start Procedure from Second Time Onward	368
11-61	Operation when Counting is Started	369
11-62	Example of the Case where External Event Counter does Not Distinguish between One Valid Edge Input and No Valid Edge Input	370
11-63	To Distinguish whether One or No Valid Edge has been Input with External Event Counter	371
12-1	Timer 3 Block Diagram	374
12-2	Timer Control Register 0 (TMC0) Format	376
12-3	Prescaler Mode Register 0 (PRM0) Format	377
12-4	Basic Operation in 8-Bit Operation Mode (BW3 = 0)	378
12-5	Basic Operation in 16-Bit Operation Mode (BW3 = 1)	379
12-6	TM3 Clearance by Match with Compare Register (CR30)	380
12-7	Clear Operation when CE3 Bit is Cleared (0)	381
12-8	Compare Operation	382
12-9	Interval Timer Operation Timing	383
12-10	Control Register Settings for Interval Timer Operation	384

LIST OF FIGURES (8/12)

Figure No.	Title	Page
12-11	Interval Timer Operation Setting Procedure	384
12-12	Operation when Counting is Started	385
13-1	Watchdog Timer Block Diagram	387
13-2	Watchdog Timer Mode Register (WDM) Format	389
14-1	Watch Timer Mode Register (WM) Format	393
14-2	Block Diagram of Watch Timer	394
15-1	PWM Output Unit Configuration	395
15-2	PWM Control Register (PWMC) Format	397
15-3	PWM Prescaler Register (PWPR) Format	398
15-4	Basic PWM Output Operation	399
15-5	PWM Output Active Level Setting	400
15-6	PWM Output Timing Example 1 (PWM pulse width rewrite cycle = $2^{12}/f_{PWMC}$)	401
15-7	PWM Output Timing Example 2 (PWM pulse width rewrite cycle = $2^8/f_{PWMC}$)	402
16-1	A/D Converter Block Diagram	404
16-2	Example of Capacitor Connection on A/D Converter Pins	405
16-3	A/D Converter Mode Register (ADM) Format	408
16-4	A/D Current Cut Select Register (IEAD) Format	410
16-5	A/D Current Cut Select Register Function	410
16-6	Basic A/D Converter Operation	412
16-7	Relationship between Analog Input Voltage and A/D Conversion Result	413
16-8	Select Mode Operation Timing	415
16-9	Scan Mode 0 Operation Timing	416
16-10	Scan Mode 1 Operation Timing	417
16-11	Software Start Select Mode A/D Conversion Operation	418
16-12	Software Start Scan Mode A/D Conversion Operation	419
16-13	Hardware Start Select Mode A/D Conversion Operation	421
16-14	Hardware Start Scan Mode A/D Conversion Operation	422
16-15	Example of Capacitor Connection on A/D Converter Pins	424
17-1	Example of Serial Interface	425
18-1	Switching between Asynchronous Serial Interface Mode and 3-Wire Serial I/O Mode	428
18-2	Asynchronous Serial Interface Block Diagram	430
18-3	Format of Asynchronous Serial Interface Mode Register (ASIM) and Asynchronous Serial Interface Mode Register 2 (ASIM2)	433
18-4	Format of Asynchronous Serial Interface Status Register (ASIS) and Asynchronous Serial Interface Status Register 2 (ASIS2)	434
18-5	Asynchronous Serial Interface Transmit/Receive Data Format	435

LIST OF FIGURES (9/12)

Figure No.	Title	Page
18-6	Asynchronous Serial Interface Transmission Completion Interrupt Timing	437
18-7	Asynchronous Serial Interface Reception Completion Interrupt Timing	438
18-8	Receive Error Timing	439
18-9	Example of 3-Wire Serial I/O System Configuration	440
18-10	3-Wire Serial I/O Mode Block Diagram	441
18-11	Format of Clocked Serial Interface Mode Register 1 (CSIM1) and Clocked Serial Interface Mode Register 2 (CSIM2)	443
18-12	3-Wire Serial I/O Mode Timing	444
18-13	Example of Connection to 2-Wire Serial I/O	445
18-14	Baud Rate Generator Block Diagram	449
18-15	Format of Baud Rate Generator Control Register (BRGC) and Baud Rate Generator Control Register 2 (BRGC2)	451
19-1	Clocked Serial Interface Block Diagram	458
19-2	Format of Clocked Serial Interface Mode Register (CSIM) and Clocked Serial Interface Mode Register 3 (CSIM3)	459
19-3	Example of 3-Wire Serial I/O System Configuration	461
19-4	3-Wire Serial I/O Mode Timing	462
19-5	Operation when Reception is Disabled	464
20-1	IEBus Transmission Signal Format	469
20-2	Master Address Field	470
20-3	Slave Address Field	471
20-4	Control Field	473
20-5	Telegraph Length Field	473
20-6	Data Field	474
20-7	Bit Configuration of Slave Status	477
20-8	Configuration of Lock Address	478
20-9	Bit Format of IEBus	479
20-10	IEBus Controller Block Diagram	481
20-11	Bus Control Register (BCR) Format	484
20-12	Unit Address Register (UAR) Format	486
20-13	Slave Address Register (SAR) Format	486
20-14	Partner Address Register (PAR) Format	486
20-15	Control Data Register (CDR) Format	487
20-16	Interrupt Generation Timing (in case of <1>, <3>, <4>)	488
20-17	Interrupt Generation Timing (in case of <2>, <5>)	488
20-18	INTIE2 Interrupt Generation Timing in Locked Status (in case of <4>, <5>)	489
20-19	INTIE2 Interrupt Generation Timing in Locked Status (in case of <3>)	489
20-20	Telegraph Length Register (DLR) Format	490
20-21	Data Register (DR) Format	491

LIST OF FIGURES (10/12)

Figure No.	Title	Page
20-22	Unit Status Register (USR) Format	492
20-23	Broadcasting Communication Flag Operation Example	493
20-24	Interrupt Status Register (ISR) Format	494
20-25	Slave Status Register (SSR) Format	498
20-26	Success Count Register (SCR) Format	499
20-27	Communication Count Register (CCR) Format	499
20-28	Configuration of Interrupt Control Block	500
21-1	Clock Output Function Configuration	511
21-2	Clock Output Mode Register (CLOM) Format	513
21-3	Clock Output Operation Timing	514
21-4	One-Bit Output Port Operation	515
22-1	External Interrupt Mode Register 0 (INTM0) Format	518
22-2	External Interrupt Mode Register 1 (INTM1) Format	519
22-3	Sampling Clock Selection Register (SCS0) Format	520
22-4	Edge Detection for Pins P20, P25, and P26	521
22-5	P21 Pin Edge Detection	522
22-6	Edge Detection for Pins P22 to P24	523
23-1	Interrupt Control Registers (xICn)	534
23-2	Interrupt Mask Register (MK0, MK1) Format	538
23-3	In-Service Priority Register (ISPR) Format	540
23-4	Interrupt Mode Control Register (IMC) Format	541
23-5	Watchdog Timer Mode Register (WDM) Format	542
23-6	Program Status Word (PSWL) Format	543
23-7	Context Switching Operation by Execution of a BRKCS Instruction	544
23-8	Return from BRKCS Instruction Software Interrupt (RETCSB instruction operation)	545
23-9	Non-Maskable Interrupt Request Acknowledgment Operations	547
23-10	Interrupt Acknowledgment Processing Algorithm	551
23-11	Context Switching Operation by Generation of an Interrupt Request	552
23-12	Return from Interrupt that Uses Context Switching by Means of RETCS Instruction	553
23-13	Examples of Servicing when Another Interrupt Request is Generated During Interrupt Service	555
23-14	Examples of Servicing of Simultaneously Generated Interrupts	558
23-15	Differences in Level 3 Interrupt Acknowledgment According to IMC Register Setting	559
23-16	Differences between Vectored Interrupt and Macro Service Processing	560
23-17	Macro Service Processing Sequence	563
23-18	Operation at End of Macro Service when VCIE = 0	564
23-19	Operation at End of Macro Service when VCIE = 1	565
23-20	Macro Service Control Word Format	566
23-21	Macro Service Mode Register Format	567

LIST OF FIGURES (11/12)

Figure No.	Title	Page
23-22	Macro Service Data Transfer Processing Flow (Type A)	570
23-23	Type A Macro Service Channel	572
23-24	Asynchronous Serial Reception	573
23-25	Macro Service Data Transfer Processing Flow (Type B)	575
23-26	Type B Macro Service Channel.....	576
23-27	Parallel Data Input Synchronized with External Interrupts	577
23-28	Parallel Data Input Timing	578
23-29	Macro Service Data Transfer Processing Flow (Type C)	580
23-30	Type C Macro Service Channel	582
23-31	Stepping Motor Open Loop Control by Real-Time Output Port	584
23-32	Data Transfer Control Timing	585
23-33	Single-Phase Excitation of 4-Phase Stepping Motor	587
23-34	1-2-Phase Excitation of 4-Phase Stepping Motor	587
23-35	Automatic Addition Control + Ring Control Block Diagram 1 (when output timing varies with 1-2-phase excitation)	588
23-36	Automatic Addition Control + Ring Control Timing Diagram 1 (when output timing varies with 1-2-phase excitation)	589
23-37	Automatic Addition Control + Ring Control Block Diagram 2 (1-2-phase excitation constant-velocity operation)	590
23-38	Automatic Addition Control + Ring Control Timing Diagram 2 (1-2-phase excitation constant-velocity operation)	591
23-39	Macro Service Data Transfer Processing Flow (counter mode)	592
23-40	Counter Mode	593
23-41	Counting Number of Edges	593
23-42	Interrupt Request Generation and Acknowledgment (unit: clocks)	596
24-1	Memory Expansion Mode Register (MM) Format	604
24-2	μ PD784935 Memory Map	606
24-3	μ PD784936 Memory Map	608
24-4	μ PD784937 Memory Map	610
24-5	μ PD784938 Memory Map	612
24-6	Read Timing	614
24-7	Write Timing	614
24-8	Memory Expansion Mode Register (MM) Format	615
24-9	Programmable Wait Control Register (PWC1/PWC2) Format.....	616
24-10	Address Wait Function Read/Write Timing	618
24-11	Wait Control Spaces	622
24-12	Access Wait Function Read Timing	623
24-13	Access Wait Function Write Timing	625
24-14	Timing with External Wait Signal	627
24-15	Refresh Mode Register (RFM) Format	629

LIST OF FIGURES (12/12)

Figure No.	Title	Page
24-16	Refresh Area Specification Register (RFA) Format	630
24-17	Pulse Refresh Operation in Internal Memory Access	631
24-18	Refresh Pulse Output Operation	632
24-19	Timing for Return from Self-Refresh Operation	633
24-20	Hold Mode Register (HLDM) Format	634
24-21	Hold Mode Timing	635
25-1	Standby Mode Transition Diagram	637
25-2	Standby Function Block Diagram	638
25-3	Standby Control Register (STBC) Format	640
25-4	Oscillation Stabilization Time Specification Register (OSTS) Format	641
25-5	STOP Mode Release by NMI Input	648
25-6	STOP Mode Release by INTP4/INTP5 Input	649
25-7	Example of Address/Data Bus Processing	654
26-1	Reset Signal Acknowledgment	657
26-2	Power-On Reset Operation	658
26-3	Reset Input Timing	661
27-1	ROM Correction Block Diagram	665
27-2	Memory Mapping Example (μ PD784938)	666
27-3	ROM Correction Address Register (CORAH, CORAL) Format	667
27-4	ROM Correction Control Register (CORC) Format	668
28-1	Internal Memory Size Switching Register (IMS) Format	672
28-2	Communication Mode Selection Format	673
28-3	Flashpro II and Flashpro III Connection in 3-Wire Serial I/O Mode	675
28-4	Flashpro II and Flashpro III Connection in UART Mode	675
A-1	Development Tool Configuration	710
A-2	Package Drawing of EV-9200GF-100 (reference) (unit: mm)	718
A-3	Recommended Board Mounting Pattern of EV-9200GF-100 (reference) (unit: mm)	719

LIST OF TABLES (1/3)

Table No.	Title	Page
2-1	Port 1 Operation Modes	55
2-2	Port 2 Operation Modes	56
2-3	Port 3 Operation Modes	57
2-4	Port 6 Operation Modes	58
2-5	Pin Input/Output Circuit Types and Recommended Connection of Unused Pins	62
3-1	Vector Table	75
3-2	Internal RAM Area	78
3-3	Internal Memory Size Switching Register (IMS) Setting Value	82
3-4	Register Bank Selection	85
3-5	Correspondence between Function Names and Absolute Names	96
3-6	List of Special Function Registers (SFRs)	98
4-1	Time Required to Change Division Ratio	110
6-1	Port Functions	118
6-2	Number of Input/Output Ports	118
6-3	Port 1 Operation Modes	126
6-4	Port 2 Operation Modes	137
6-5	Port 3 Operation Modes	143
6-6	Port 4 Operation Modes	156
6-7	Port 5 Operation Modes	163
6-8	Port 6 Operation Modes	169
6-9	Port 6 Control Pin Function	174
6-10	P60 to P65 Control Pin Specification	174
6-11	Port 10 Operation Modes	188
7-1	Operations when Port 0 and Port 0 Buffer Registers (P0H, P0L) are Manipulated	204
7-2	Real-Time Output Port Output Triggers (when P0MH = P0ML = 1)	206
8-1	Operations of Timer	213
9-1	Timer/Event Counter 0 Interval Time	215
9-2	Timer/Event Counter 0 Programmable Square-Wave Output Setting Range	216
9-3	Timer/Event Counter 0 Pulse Width Measurement Range	217
9-4	Timer/Event Counter 0 Pulse Width Measurement Time	218
9-5	Timer Output (TO0/TO1) Operations	237
9-6	TO0, TO1 Toggle Output ($f_{xx} = 12.58$ MHz)	239
9-7	TO0, TO1 PWM Cycle ($f_{xx} = 12.58$ MHz)	240
9-8	TO0 PPG Output ($f_{xx} = 12.58$ MHz)	246

LIST OF TABLES (2/3)

Table No.	Title	Page
10-1	Timer/Event Counter 1 Intervals	271
10-2	Timer/Event Counter 1 Pulse Width Measurement Range	272
10-3	Timer/Event Counter 1 Pulse Width Measurement Time	273
10-4	Maximum Input Frequency and Minimum Input Pulse Width that can be Counted as Events	285
11-1	Timer/Event Counter 2 Intervals	305
11-2	Timer/Event Counter 2 Programmable Square-Wave Output Setting Range	306
11-3	Timer/Event Counter 2 Pulse Width Measurement Range	307
11-4	Clocks Enabled to be Input to Timer/Event Counter 2	307
11-5	Timer Output (TO2/TO3) Operations	331
11-6	TO2/TO3 Toggle Output ($f_{xx} = 12.58$ MHz)	333
11-7	TO2/TO3 PWM Cycle ($f_{xx} = 12.58$ MHz, $BW2 = 0$)	335
11-8	TO2/TO3 PWM Cycle ($f_{xx} = 12.58$ MHz, $BW2 = 1$)	336
11-9	TO2 PPG Output ($f_{xx} = 12.58$ MHz)	341
12-1	Timer 3 Intervals	373
14-1	Relation between Count Clock and Watch Timer Operation	394
16-1	A/D Conversion Time	414
18-1	Differences between UART/IOE1 and UART2/IOE2 Names	427
18-2	Receive Error Causes	439
18-3	Baud Rate Setting Methods	454
18-4	Examples of BRGC Settings when Baud Rate Generator is Used	454
18-5	Examples of Settings when External Baud Rate Input (ASCK) is Used	455
19-1	Differences in Name between IOE0 and IOE3	457
20-1	Transfer Rate and Maximum Number of Transmit Bytes in Communication Mode 1	468
20-2	Contents of Control Bits	472
20-3	Control Field for Locked Slave Unit	473
20-4	Control Field for Unlocked Slave Unit	473
20-5	Contents of Telegraph Length Bit	473
20-6	Meaning of Slave Status	477
20-7	Comparison between Existing and Simple IEBus Interface Functions	480
20-8	Internal Registers of IEBus Controller	483
20-9	Interrupt Source List	501
20-10	IEBus Controller Operation (Slave Status Request) of μ PD784938 Subseries	510
22-1	Pins P20 to P26 and Use of Detected Edge	517

LIST OF TABLES (3/3)

Table No.	Title	Page
23-1	Interrupt Request Service Modes	525
23-2	Interrupt Request Sources	526
23-3	Control Registers	530
23-4	Interrupt Control Register Flags Corresponding to Interrupt Request	531
23-5	Multiple Interrupt Servicing	554
23-6	Interrupts for which Macro Service can be Used	561
23-7	Interrupt Acknowledge Processing Time	597
23-8	Macro Service Processing Time	598
24-1	System Clock Frequency and Refresh Pulse Output Cycle when Pseudo-Static RAM is Used	630
25-1	Operating States in HALT Mode	642
25-2	HALT Mode Release and Operations after Release	643
25-3	HALT Mode Release by Maskable Interrupt Request	645
25-4	Operating States in STOP Mode	646
25-5	STOP Mode Release and Operations after Release	647
25-6	Operating States in IDLE Mode	650
25-7	IDLE Mode Release and Operations after Release	651
26-1	Pin Statuses During Reset Input and After Reset Release	658
26-2	Hardware Status After Reset	659
27-1	Differences between 78K/IV ROM Correction and 78K/0 ROM Correction	664
27-2	ROM Correction Configuration	665
28-1	Differences between the μ PD78F4938 Mask ROM Versions	671
28-2	Internal Memory Size Switching Register (IMS) Settings	672
28-3	Communication Mode	673
28-4	Flash Memory Programming Functions	674
29-1	List of Instructions by 8-Bit Addressing	705
29-2	List of Instructions by 16-Bit Addressing	706
29-3	List of Instructions by 24-Bit Addressing	707
29-4	List of Instructions by Bit Manipulation Instruction Addressing	707
29-5	List of Instructions by Call/Return Instruction/Branch Instruction Addressing	708

[MEMO]

CHAPTER 1 GENERAL

The μ PD784938 Subseries consists of 78K/IV Series products that combine a 78K/IV Series CPU core enabling mounting large-capacity memory and a IEBus™ (Inter Equipment Bus™) controller. The 78K/IV Series consists of 16-bit single-chip microcontrollers, and comes with a high-performance CPU that has various functions including a function to access 1-Mbyte memory spaces.

The μ PD784938 Subseries is based on the μ PD784908 Subseries. It features expanded internal ROM and RAM capacities and the addition of a ROM correction function.

The μ PD784938 has a 256-Kbyte mask ROM and 10,240-byte RAM on chip. Besides an IEBus controller, it features among other things a high-performance timer counter, an 8-bit A/D converter, a PWM output function, a 2-channel independent serial interface, and a watch timer.

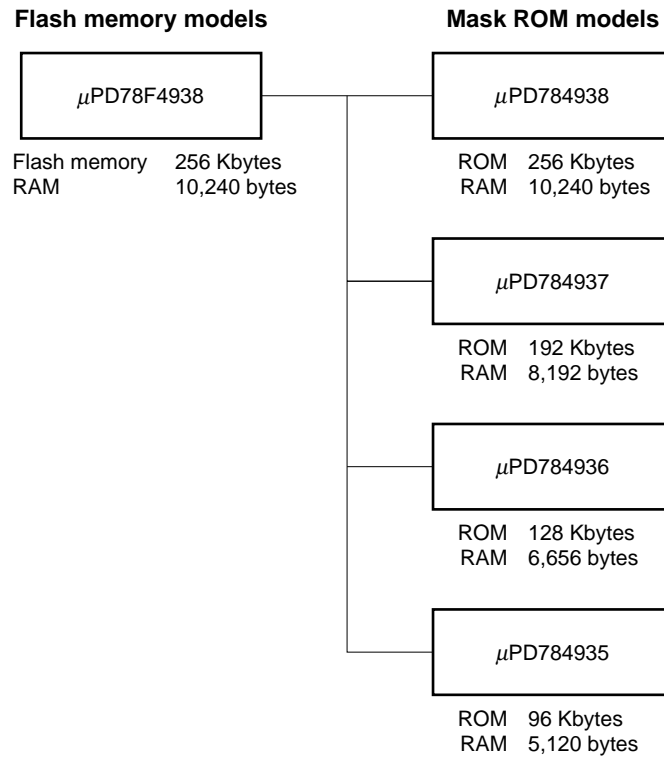
The μ PD784937 replaces the mask ROM of the μ PD784938 with a 192-Kbyte mask ROM.

The μ PD784936 replaces the mask ROM and RAM of the μ PD784938 with a 128-Kbyte mask ROM and a 6,656-byte RAM.

The μ PD784935 replaces the mask ROM and RAM of the μ PD784938 with a 96-Kbyte mask ROM and a 5,120-byte RAM.

The μ PD78F4938 replaces the mask ROM of the μ PD784938 with flash memory.

The μ PD784938 Subseries product lineup is as follows.

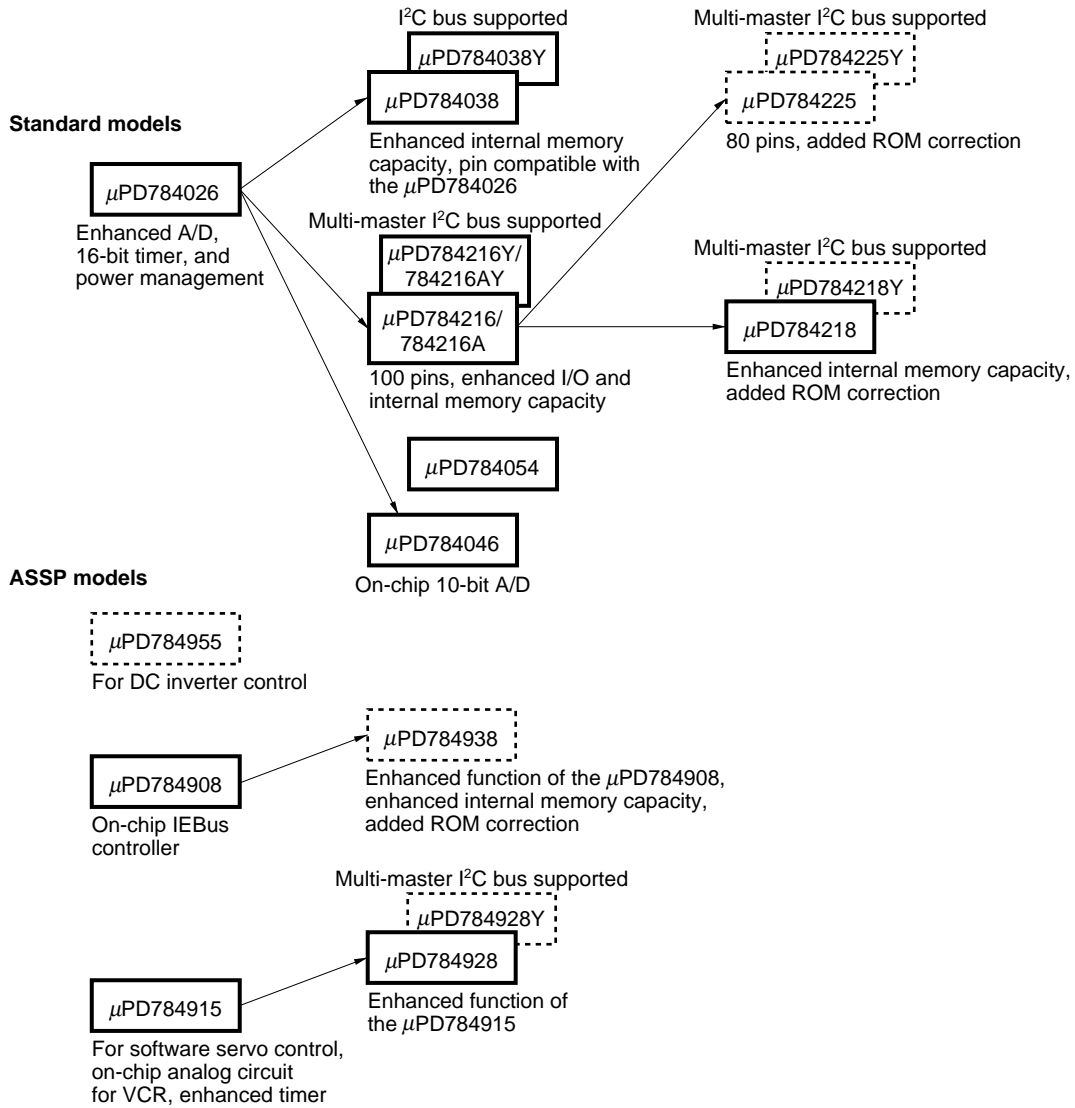


These models can be used in the following fields:

- Car audio, etc.

78K/IV Series Product Lineup

: In mass production
 : Under development



1.1 Features

- 78K/IV Series
- High-speed instruction execution
 - Minimum instruction execution time: 320 ns (@ 6.29-MHz operation)
160 ns (@ 12.58-MHz operation)
- Instruction set suitable for control applications
- Data memory expansion function (1-Mbyte memory space: 2 bank specification pointers)
- Interrupt controller (4-level priority system)
 - Vectored interrupt service/macro service/context switching
- Standby functions: HALT/STOP/IDLE modes
- Internal memory:
 - ROM
 - Mask ROM: 256 Kbytes (μ PD784938)
 - 192 Kbytes (μ PD784937)
 - 128 Kbytes (μ PD784936)
 - 96 Kbytes (μ PD784935)
 - Flash memory: 256 Kbytes (μ PD78F4938)
 - RAM:
 - 10,240 bytes (μ PD784938, 78F4938)
 - 8,192 bytes (μ PD784937)
 - 6,656 bytes (μ PD784936)
 - 5,120 bytes (μ PD784935)
- I/O pins: 80
 - Software programmable pull-up: 70 inputs
 - Direct LED drive capability: 24 outputs
 - Direct transistor drive capability: 8 outputs
 - N-ch open-drain: 4 outputs
- Serial interface
 - UART/IOE (3-wire serial I/O): 2 channels (with on-chip baud rate generator)
 - CSI (3-wire serial I/O): 2 channels
- Real-time output ports (combination with timer/counter allows independent control of 2-system stepping motors)
- A/D converter (8-bit resolution \times 8 channels)
- PWM outputs (12-bit resolution \times 2 channels)
- On-chip simple model with IEBus controller
- Watch timer (operation with main clock possible in the IDLE mode)
- Power-saving regulator
- High-performance timer/counter
 - Timer/event counter (16 bits) \times 3 units
 - Timer (16 bits) \times 1 unit
- Watchdog timer: 1 channel
- Clock output function: fCLK, fCLK/2, fCLK/4, fCLK/8, fCLK/16 can be selected
- On-chip ROM correction function

1.2 Ordering Information

Part Number	Package	Internal ROM
μ PD784935GF-xxx-3BA	100-pin plastic QFP (14 × 20 mm)	Mask ROM
μ PD784936GF-xxx-3BA	100-pin plastic QFP (14 × 20 mm)	Mask ROM
μ PD784937GF-xxx-3BA	100-pin plastic QFP (14 × 20 mm)	Mask ROM
μ PD784938GF-xxx-3BA	100-pin plastic QFP (14 × 20 mm)	Mask ROM
μ PD78F4938GF-3BA	100-pin plastic QFP (14 × 20 mm)	Flash memory

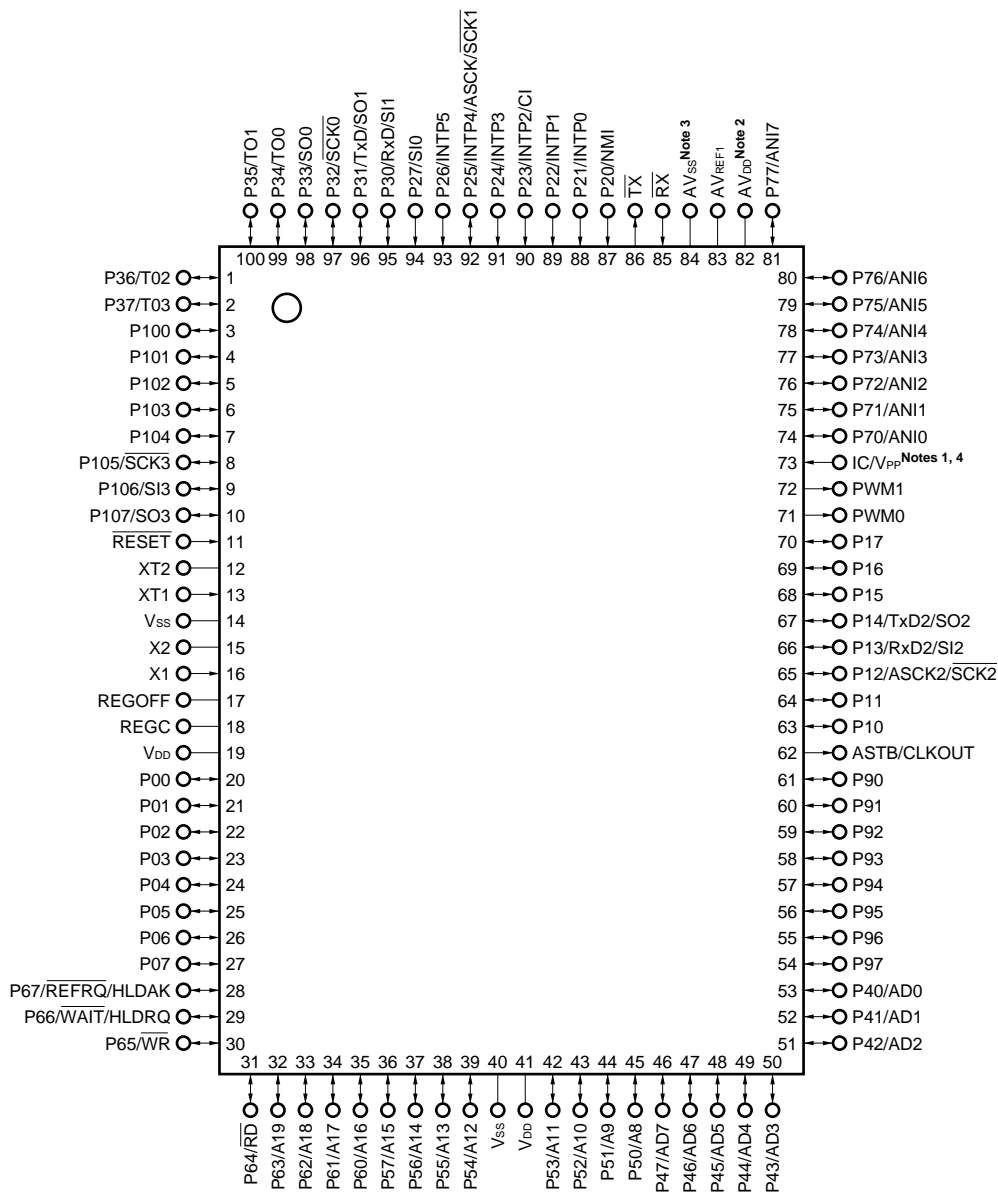
Remark xxx indicates ROM code suffix.

1.3 Pin Configuration (Top View)

1.3.1 Normal operation mode

- 100-pin plastic QFP (14 × 20 mm)

μPD784935GF-xxx-3BA, 784936GF-xxx-3BA, 784937GF-xxx-3BA, 784938GF-xxx-3BA, 78F4938GF-3BA

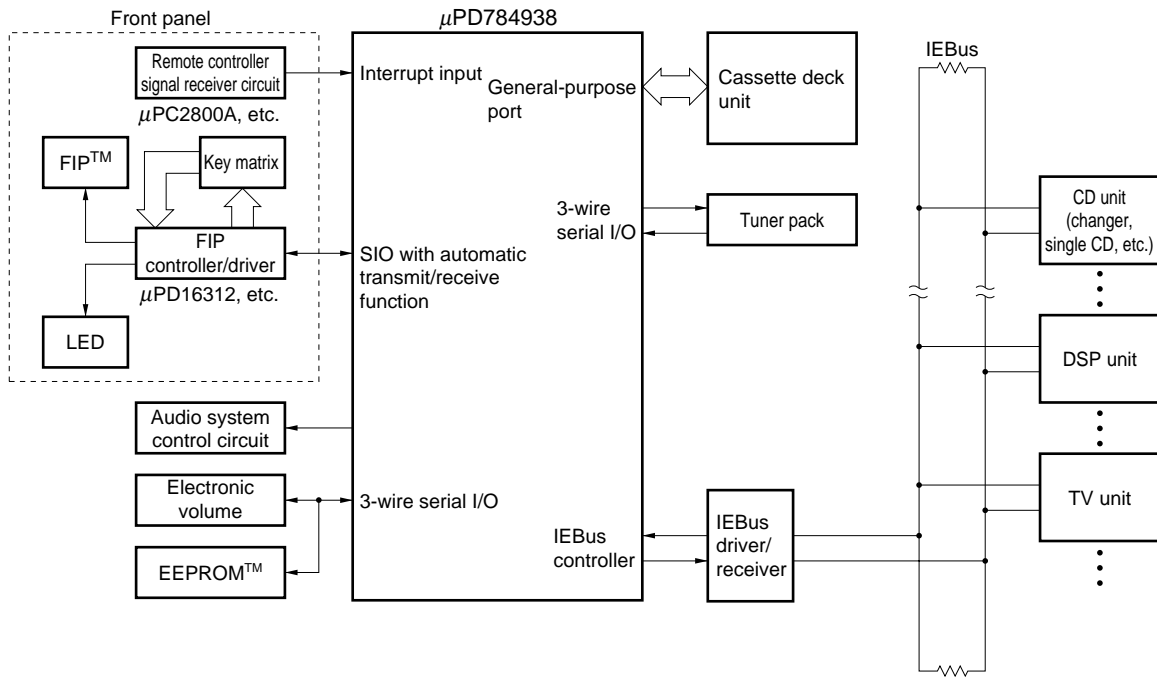


- Notes**
1. Connect the IC (Internally Connected)/V_{PP} pin directly to V_{SS}.
 2. Connect the AV_{DD} pin directly to V_{DD}.
 3. Connect the AV_{SS} pin directly to V_{SS}.
 4. The V_{PP} pin is used only in the μPD78F4938.

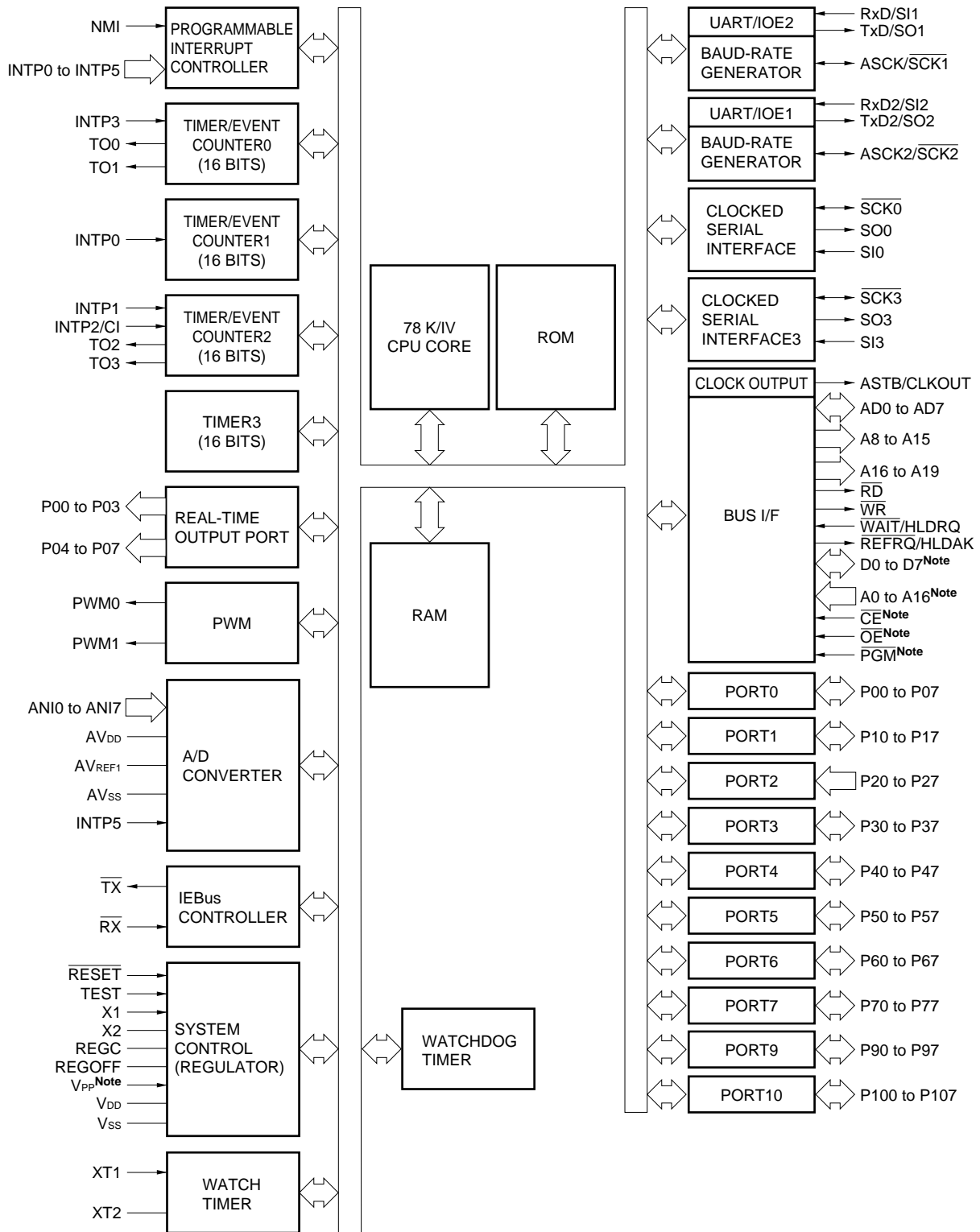
A8 to A19:	Address Bus	PWM0, PWM1:	Pulse Width Modulation 0, 1
AD0 to AD7:	Address/Data Bus	\overline{RD} :	Read Strobe
ANI0 to ANI7:	Analog Input	\overline{REFRQ} :	Refresh Request
ASCK, ASCK2:	Asynchronous Serial Clock	REGC:	Regulator Capacitance
ASTB:	Address Strobe	REGOFF:	Regulator Off
AV _{DD} :	Analog Power Supply	\overline{RESET} :	Reset
AV _{REF1} :	Analog Reference Voltage	\overline{RX} :	IEBus Receive Data
AV _{SS} :	Analog Ground	RxD, RxD2:	Receive Data
Cl:	Clock Input	$\overline{SCK0}$ to $\overline{SCK3}$:	Serial Clock
CLKOUT:	Clock Output	SI0 to SI3:	Serial Input
HLD _{AK} :	Hold Acknowledge	SO0 to SO3:	Serial Output
HLDRQ:	Hold Request	TEST:	Test
INTP0 to INTP5:	Interrupt from Peripherals	TO0 to TO3:	Timer Output
NMI:	Non-maskable Interrupt	TxD, TxD2:	Transmit Data
P00 to P07:	Port0	\overline{TX} :	IEBus Transmit Data
P10 to P17:	Port1	V _{DD} :	Power Supply
P20 to P27:	Port2	V _{PP} ^{Note} :	Programming Power Supply
P30 to P37:	Port3	V _{SS} :	Ground
P40 to P47:	Port4	\overline{WAIT} :	Wait
P50 to P57:	Port5	\overline{WR} :	Write Strobe
P60 to P67:	Port6	X1, X2:	Crystal (Main System Clock)
P70 to P77:	Port7	XT1, XT2:	Crystal (Watch)
P90 to P97:	Port9		
P100 to P107:	Port10		

Note The V_{PP} pin is used only in the μ PD78F4938.

1.4 Application System Configuration Example (Car Audio (Tuner, Deck))



1.5 Block Diagram



Note μ PD78F4938 only

Remark The capacities of the internal ROM and RAM varies depending on the product.

1.6 List of Functions

Part Number		μ PD784935	μ PD784936	μ PD784937	μ PD784938	μ PD78F4938
Item						
Number of basic instructions (mnemonics)		113				
General-purpose register		8 bits \times 32 registers \times 8 banks, or 16 bits \times 8 registers \times 8 banks (memory mapping)				
Minimum instruction execution time		320 ns/636 ns/1.27 μ s/2.54 μ s (@6.29-MHz operation) 160 ns/320 ns/636 ns/1.27 μ s (@12.58-MHz operation)				
Internal memory	ROM	96 Kbytes (mask ROM)	128 Kbytes (mask ROM)	192 Kbytes (mask ROM)	256 Kbytes (mask ROM)	256 Kbytes (flash memory)
	RAM	5,120 bytes	6,656 bytes	8,192 bytes	10,240 bytes	
Memory space		1 Mbyte with program and data memories combined				
I/O port	Total	80				
	Input	8				
	I/O	72				
Pins with ancillary functions ^{Note}	LED direct drive output	24				
	Transistor direct drive	8				
	N-ch open-drain	4				
Real-time output port		4 bits \times 2, or 8 bits \times 1				
IEBus controller		Internal (simple version)				
Timer/counter		Timer/event counter 0 (16 bits):			Timer counter \times 1	Pulse output
					Capture register \times 1	• Toggle output
					Compare register \times 2	• PWM/PPG output
						• One-shot pulse output
		Timer/event counter 1 (16 bits):			Timer counter \times 1	Real-time output port
					Capture register \times 1	
					Capture/compare register \times 1	
					Compare register \times 1	
		Timer/event counter 2:		Timer counter \times 1	Pulse output	
				Capture register \times 1	• Toggle output	
				Capture/compare register \times 1	• PWM/PPG output	
				Compare register \times 1		
		Timer 3:		Timer counter \times 1		
				Compare register \times 1		
Watch timer		Generates interrupt request at intervals of 0.5 second (internal watch clock oscillator) Main clock (12.58 MHz (MAX.)) or watch clock (32.7 kHz) selectable as input clock				
Clock output		Selectable from f_{CLK} , $f_{CLK}/2$, $f_{CLK}/4$, $f_{CLK}/8$, and $f_{CLK}/16$ (can also be used as 1-bit output port)				
PWM output		12-bit resolution \times 2 channels				
Serial interface		UART/IOE (3-wire serial I/O): 2 channels (with baud rate generator) CSI (3-wire serial I/O): 2 channels				
A/D converter		8-bit resolution \times 8 channels				
Watchdog timer		1 channel				
Standby		HALT/STOP/IDLE mode				

Note The pins with ancillary functions are included in the I/O pins.

Part Number		μ PD784935	μ PD784936	μ PD784937	μ PD784938	μ PD78F4938
Interrupt	Hardware source	27 (Internal: 20, External: 7 (sampling clock variable input: 1))				
	Software source	BRK instruction, BRKCS instruction, operand error				
	Non-maskable	Internal: 1, External: 1				
	Maskable	Internal: 19, External: 6				
		4 levels of programmable priority 3 processing type: Vectored interrupt/macro service/context switching				
Supply voltage	<ul style="list-style-type: none"> $V_{DD} = 4.0$ to 5.5 V (Main clock: @ $f_{XX} = 12.58$-MHz operation, Internal system clock = @ f_{XX}, $f_{CYK} = 79$ ns) $V_{DD} = 3.5$ to 5.5 V (Other than above, $f_{CYK} = 159$ ns) 			<ul style="list-style-type: none"> $V_{DD} = 4.5$ to 5.5 V (Main clock: @ $f_{XX} = 12.58$- MHz operation, Internal system clock = @ f_{XX}, $f_{CYK} = 79$ ns) $V_{DD} = 4.0$ to 5.5 V (Other than above, $f_{CYK} = 159$ ns) 		
Package	100-pin plastic QFP (14 × 20 mm)					

The outline of the timer is as follows (for details, refer to **CHAPTER 8 OUTLINE OF TIMER**)

Name		Timer/Event Counter 0	Timer/Event Counter 1	Timer/Event Counter 2	Timer 3
Count width	8 bits	—	○	○	○
	16 bits	○	○	○	○
Operation mode	Interval timer	2ch	2ch	2ch	1ch
	External event counter	○	○	○	—
	One-shot timer	—	—	○	—
Function	Timer output	2ch	—	2ch	—
	Toggle output	○	—	○	—
	PWM/PPG output	○	—	○	—
	One-shot pulse output ^{Note}	○	—	—	—
	Real-time output	—	○	—	—
	Pulse width measurement	1 input	1 input	2 inputs	—
	Number of interrupt requests	2	2	2	1

Note The one-shot pulse output function is used to make a pulse output level active by software and inactive by hardware (interrupt request signal).

This function is different from the one-shot timer function of timer/event counter 2 in nature.

The outline of the serial interface is as follows (for details, refer to **CHAPTER 17 OUTLINE OF SERIAL INTERFACE**).

Function	UART/IOE1	UART/IOE2	IOE0	IOE3
3-wire serial I/O mode	○ (MSB first/LSB first switchable)	○ (MSB first/LSB first switchable)	○ (MSB first/LSB first switchable)	○ (MSB first/LSB first switchable)
Asynchronous serial I/O mode	○ (On-chip dedicated baud rate generator)	○ (On-chip dedicated baud rate generator)	—	—
SBI mode	—	—	○ (MSB first/LSB first switchable)	○ (MSB first/LSB first switchable)

1.7 Differences among Products in μ PD784938 Subseries

Part Number		μ PD784935	μ PD784936	μ PD784937	μ PD784938	μ PD78F4938
Item						
Internal memory	ROM	96 Kbytes (mask ROM)	128 Kbytes (mask ROM)	192 Kbytes (mask ROM)	256 Kbytes (mask ROM)	256 Kbytes (flash memory)
	RAM	5,120 bytes	6,656 bytes	8,192 bytes	10,240 bytes	

1.8 Main Differences with μ PD784908 Subseries

The μ PD784938 Subseries replaces the PROM of PROM products in the μ PD784908 Subseries with flash memory and added a ROM correction function.

CHAPTER 2 PIN FUNCTIONS

2.1 Pin Function Lists

2.1.1 Normal operation mode

(1) Port pins (1/2)

Pin Name	Input/Output	Alternate Function	Function
P00 to P07	Input/output	—	Port 0 (P0): <ul style="list-style-type: none"> • 8-bit input/output port • Can be used as real-time output ports (4 bits × 2) • Input/output can be specified in 1-bit units • For input mode pins, on-chip pull-up resistor connection can be specified at once by means of software <ul style="list-style-type: none"> • Transistor drive capability
P10	Input/output	—	Port 1 (P1): <ul style="list-style-type: none"> • 8-bit input/output port • Input/output can be specified in 1-bit units • For input mode pins, on-chip pull-up resistor connection can be specified at once by means of software • LED drive capability
P11		—	
P12		ASCK2/SCK2	
P13		RxD2/SI2	
P14		TxD2/SO2	
P15 to P17		—	
P20	Input	NMI	Port 2 (P2): <ul style="list-style-type: none"> • 8-bit input/output port • P20 cannot be used as a general-purpose port (non-maskable interrupt). Input level can be confirmed in the interrupt routine. • For P22 to P27, on-chip pull-up resistor connection can be specified by means of software in 6-bit units • The P25/INTP4/ASCK/SCK1 pin operates as the SCK1 output pin in accordance with the CSIM1 register specification
P21		INTP0	
P22		INTP1	
P23		INTP2/CI	
P24		INTP3	
P25		INTP4/ASCK/SCK1	
P26		INTP5	
P27		SI0	
P30	Input/output	RxD/SI1	Port 3 (P3): <ul style="list-style-type: none"> • 8-bit input/output port • Input/output can be specified in 1-bit units • For input mode pins, on-chip pull-up resistor connection can be specified at once by means of software • P32 and P33 can be set in N-ch open-drain mode
P31		TxD/SO1	
P32		SCK0	
P33		SO0	
P34 to P37		TO0 to TO3	

(1) Port pins (2/2)

Pin Name	Input/Output	Alternate Function	Function
P40 to P47	Input/output	AD0 to AD7	Port 4 (P4): <ul style="list-style-type: none"> • 8-bit input/output port • Input/output can be specified in 1-bit units • For input mode pins, on-chip pull-up resistor connection can be specified at once by means of software • LED drive capability
P50 to P57	Input/output	A8 to A15	Port 5 (P5): <ul style="list-style-type: none"> • 8-bit input/output port • Input/output can be specified in 1-bit units • For input mode pins, on-chip pull-up resistor connection can be specified at once by means of software • LED drive capability
P60 to P63	Input/output	A16 to A19	Port 6 (P6): <ul style="list-style-type: none"> • 8-bit input/output port • Input/output can be specified in 1-bit units • For input mode pins, on-chip pull-up resistor connection can be specified at once by means of software
P64		\overline{RD}	
P65		\overline{WR}	
P66		$\overline{WAIT}/HLDRQ$	
P67		$\overline{REFRQ}/HLDAK$	
P70 to P77	Input/output	ANI0 to ANI7	Port 7 (P7): <ul style="list-style-type: none"> • 8-bit input/output port • Input/output can be specified in 1-bit units
P90 to P97	Input/output	—	Port 9 (P9): <ul style="list-style-type: none"> • 8-bit input/output port • Input/output can be specified in 1-bit units • For input mode pins, on-chip pull-up resistor connection can be specified at once by means of software
P100 to P104	Input/output	—	Port 10 (P10): <ul style="list-style-type: none"> • 8-bit input/output port • Input/output can be specified in 1-bit units • For input mode pins, on-chip pull-up resistor connection can be specified at once by means of software • P105 and P107 can be set in N-ch open-drain mode
P105		$\overline{SCK3}$	
P106		SI3	
P107		SO3	

(2) Non-port pins (1/2)

Pin Name	Input/Output	Alternate Function	Function
TO0/TO3	Output	P34 to P37	Timer output
CI	Input	P23/INTP2	Count clock input to timer/event counter 2
RxD	Input	P30/SI1	Serial data input (UART0)
RxD2		P13/SI2	Serial data input (UART2)
TxD	Output	P31/SO1	Serial data output (UART0)
TxD2		P14/SO2	Serial data output (UART2)
ASCK	Input	P25/INTP4/SCK1	Baud rate clock input (UART0)
ASCK2		P12/SCK2	Baud rate clock input (UART2)
SI0	Input	P27	Serial data input (3-wire serial I/O0)
SI1		P30/RxD	Serial data input (3-wire serial I/O1)
SI2		P13/RxD2	Serial data input (3-wire serial I/O2)
SI3		P106	Serial data input (3-wire serial I/O3)
SO0	Output	P33	Serial data output (3-wire serial I/O0)
SO1		P31/TxD	Serial data output (3-wire serial I/O1)
SO2		P14/TxD2	Serial data output (3-wire serial I/O2)
SO3		P107	Serial data output (3-wire serial I/O3)
SCK0	Input/output	P32	Serial clock input/output (3-wire serial I/O0)
SCK1		P25/INTP4/ASCK	Serial clock input/output (3-wire serial I/O1)
SCK2		P12/ASCK2	Serial clock input/output (3-wire serial I/O2)
SCK3		P105	Serial clock input/output (3-wire serial I/O3)
NMI	Input	P20	External interrupt requests
INTP0		P21	<ul style="list-style-type: none"> Count clock input to timer/event counter 1 CR11 or CR12 capture trigger signal
INTP1		P22	<ul style="list-style-type: none"> Count clock input to timer/event counter 2 CR22 capture trigger signal
INTP2		P23/CI	<ul style="list-style-type: none"> Count clock input to timer/event counter 2 CR21 capture trigger signal
INTP3		P24	<ul style="list-style-type: none"> Count clock input to timer/event counter 0 CR02 capture trigger signal
INTP4		P25/ASCK0/SCK1	—
INTP5		P26	A/D converter conversion start trigger input
AD0 to AD7	Input/output	P40 to P47	Time division address/data bus (external memory connection)
A8 to A15	Output	P50 to P57	Upper address bus (external memory connection)
A16 to A19	Output	P60 to P63	Upper address with address extension (external memory connection)
RD	Output	P64	External memory read strobe
WR	Output	P65	External memory write strobe
WAIT	Input	P66/HLDRQ	Wait insertion
REFRQ	Output	P67/HLDAK	External pseudo-static memory refresh pulse output
HLDRQ	Input	P66/WAIT	Bus hold request input
HLDAK	Output	P67/REFRQ	Bus hold response output

(2) Non-port pins (2/2)

Pin Name	Input/Output	Alternate Function	Function
ASTB	Output	CLKOUT	Time division address (A0 to A7) latch timing output (during external memory access)
CLKOUT	Output	ASTB	Clock output
PWM0	Output	—	PWM output 0
PWM1	Output	—	PWM output 1
$\overline{\text{RX}}$	Input	—	Data input (IEBus)
$\overline{\text{TX}}$	Output	—	Data output (IEBus)
REGC	—	—	Connection of capacitor for regulator output stabilization/power supply when regulator stops
REGOFF	—	—	Regulator operation specification signal
$\overline{\text{RESET}}$	Input	—	Chip reset
X1	Input	—	System clock oscillation crystal connections (clock can also be input to X1)
X2	—		
XT1	Input	—	Watch clock connection
XT2	—	—	
ANI0 to ANI7	Input	P70 to P77	A/D converter analog voltage inputs
AV _{REF1}	—	—	A/D converter reference voltage application
AV _{DD}			A/D converter positive power supply
AV _{SS}			A/D converter GND
V _{DD}			Positive power supply
V _{SS}			GND
IC			Input
V _{PP}	IC	Flash memory programming mode setting. High voltage application during program write/verify. Connect directly to V _{SS} in normal operating mode.	

2.2 Pin Functions

2.2.1 Normal operation mode

(1) P00 to P07 (Port 0) ... 3-state input/output

Port 0 is an 8-bit input/output port with an output latch, and has direct transistor drive capability. Input/output can be specified in 1-bit units by setting the port 0 mode register (PM0). Each pin incorporates a software programmable pull-up resistor. P00 to P03 and P04 to P07 can output the port 0 buffer register (POL, POH) contents at any time interval as 4-bit or 8-bit real-time output port. The real-time output port control register (RTPC) is used to select whether this port is used as a normal output port or a real-time output port.

When $\overline{\text{RESET}}$ is input, port 0 is set as an input port (output high-impedance state), and the output latch contents become undefined.

(2) P10 to P17 (Port 1) ... 3-state input/output

Port 1 is an 8-bit input/output port with an output latch. Input/output can be specified in 1-bit units by setting the port 1 mode register (PM1). Each pin incorporates a software programmable pull-up resistor. This port has direct LED drive capability. Pins P12 to P14 can also be made to function as serial input/output pins by setting the port 1 mode control register (PMC1). When $\overline{\text{RESET}}$ is input, port 1 is set as an input port (output high-impedance state), and the output latch contents are undefined.

Table 2-1. Port 1 Operation Modes

Pin Name	Port Mode	Control Signal Input/Output Mode	Operation to Operate as Control Pin
P10	Input/output port	—	—
P11		—	—
P12		ASCK2/ $\overline{\text{SCK2}}$ input/output	Set (to 1) PMC12 bit of PMC1
P13		RxD2/SI2 input	Set (to 1) PMC13 bit of PMC1
P14		TxD2/SO2 output	Set (to 1) PMC14 bit of PMC1
P15 to P17		—	—

(a) Port mode

P12 to P14 operate as port mode pins when the relevant bits of the port 1 mode control (PMC1) register are cleared (0), and P10 and P11 and P15 to P17 always operate as port mode pins. Input/output can be specified in 1-bit units by setting the port 1 mode register (PM1).

(b) Control signal input/output mode

P12 to P14 can be set as control pins in 1-bit units by setting the port 1 mode control (PMC1) register.

(i) ASCK2/ $\overline{\text{SCK2}}$

ASCK2 is the asynchronous serial interface baud rate clock input pin.

$\overline{\text{SCK2}}$ is the serial clock input/output pin (in 3-wire serial I/O2 mode).

(ii) RxD2/SI2

RxD2 is the asynchronous serial interface serial data input pin.

SI2 is the serial data input pin (in 3-wire serial I/O2 mode).

(iii) TxD2/SO2

TxD2 is the asynchronous serial interface serial data output pin.

SO2 is the serial data output pin (in 3-wire serial I/O2 mode).

(3) P20 to P27 (Port 2) ... Input

Port 2 is an 8-bit input-only port. P22 to P27 incorporate a software programmable pull-up resistor. As well as operating as an input port, port 2 pins also operate as control signal input pins, such as external interrupt signal pins (see **Table 2-2**). All 8 pins are Schmitt-triggered inputs to prevent misoperation due to noise.

Also, pin P25 can also be made to function as a serial clock output pin by selecting the external clock as “serial operation enabled” with the clocked serial interface mode register 1 (CSIM1).

Table 2-2. Port 2 Operation Modes

Port	Function
P20	Input port/NMI input ^{Note}
P21	Input port/INTP0 input/CR11 capture trigger input/ timer/event counter 1 count clock/real-time output port trigger signal
P22	Input port/INTP1 input/CR22 capture trigger input
P23	Input port/INTP2 input/CI input
P24	Input port/INTP3 input/CR02 capture trigger input/ timer/event counter 0 count clock
P25	Input port/INTP4 input/ASCK input/ $\overline{\text{SCK1}}$ input/output
P26	Input port/INTP5 input/A/D converter external trigger input
P27	Input port/SI0 input

Note NMI input is acknowledged regardless of whether interrupts are enabled or disabled.

(a) Function as port pins

The pin level can always be read or tested regardless of the alternate function pin operation.

(b) Functions as control signal input pins**(i) NMI (Non-maskable Interrupt)**

The external non-maskable interrupt request input pin. Rising edge detection or falling edge detection can be specified by setting the external interrupt mode register 0 (INTM0).

(ii) INTP0 to INTP5 (Interrupt from Peripherals)

External interrupt request input pins. When the valid edge specified by the external interrupt mode register 0, 1 (INTM0/INTM1) is detected by pins INTP0 to INTP5, an interrupt is generated (see **CHAPTER 22 EDGE DETECTION FUNCTION**).

In addition, pins INTP0 to INTP3 and INTP5 are also used as external trigger input pins with the various functions shown below.

- INTP0 Timer/event counter 1 capture trigger input pin
Timer/event counter 1 external count clock input pin
Real-time output port trigger input pin
- INTP1 Timer/event counter 2 capture trigger input pin to capture register (CR22)
- INTP2 Timer/event counter 2 external count clock input pin
Capture trigger input pin to capture/compare register (CR21)
- INTP3 Timer/event counter 0 capture trigger input pin
Timer/event counter 0 external count clock input pin
- INTP5 A/D converter external trigger input pin

(iii) CI (Clock Input)

The timer/event counter 2 external clock input pin.

(iv) ASCK (Asynchronous Serial Clock)

The external baud rate clock input pin.

(v) $\overline{\text{SCK1}}$ (Serial Clock)

The serial clock input/output pin (in 3-wire serial I/O1 mode).

(vi) SI0 (Serial Input 0)

The serial data input pin (in 3-wire serial I/O0 mode).

(4) P30 to P37 (Port 3) ... 3-state input/output

Port 3 is an 8-bit input/output port with an output latch. Input/output can be specified bit-wise by setting the port 3 mode register (PM3). Each pin incorporates a software programmable pull-up resistor. P32 and P33 can be set in the N-ch open-drain mode.

In addition to its function as an input/output port, port 3 also has various control signal pin alternate functions.

The operation mode can be specified in 1-bit units by setting the port 3 mode control register (PMC3), as shown in Table 2-3. The pin level of any pin can always be read or tested regardless of the alternate-function operation.

When $\overline{\text{RESET}}$ is input, port 3 is set as an input port (output high-impedance state), and the output latch contents are undefined.

Table 2-3. Port 3 Operation Modes (n = 0 to 7)

Mode	Port Mode	Control Signal Input/Output Mode
Setting Condition	PMC3n = 0	PMC3n = 1
P30	Input/output port	RxD input / SI1 input
P31		TxD output / SO1 output
P32		$\overline{\text{SCK0}}$ input/output
P33		SO0 output
P34		TO0 output
P35		TO1 output
P36		TO2 output
P37		TO3 output

(a) Port mode

Each port specified as port mode by the port 3 mode control register (PMC3) can be specified as input/output in 1-bit units by setting the port 3 mode register (PM3).

(b) Control signal input/output mode

Pins can be set as control pins in 1-bit units by setting the port 3 mode control register (PMC3).

(i) RxD (Receive Data) /SI1 (Serial Input 1)

RxD is the asynchronous serial interface serial data input pin.

SI1 is the serial data input pin (in 3-wire serial I/O1 mode).

(ii) TxD (Transmit Data) /SO1 (Serial Output 1)

TxD is the asynchronous serial interface serial data output pin.
SO1 is the serial data output pin (in 3-wire serial I/O1 mode).

(iii) $\overline{\text{SCK0}}$ (Serial Clock 0)

$\overline{\text{SCK0}}$ is the clocked serial interface serial clock input/output pin (in 3-wire serial I/O 0 mode).

(iv) SO0 (Serial Output 0)

SO0 is the serial data output pin (in 3-wire serial I/O 0 mode).

(v) TO0 to TO3 (Timer Output)

The timer output pins.

(5) P40 to P47 (Port 4) ... 3-state input/output

Port 4 is an 8-bit input/output port with an output latch. Input/output can be specified in 1-bit units by setting the port 4 mode register (PM4). Each pin incorporates a software programmable pull-up resistor. This port has direct LED drive capability. Port 4 also functions as the time division address/data bus (AD0 to AD7) by the memory expansion mode register (MM) when external memory or I/Os are expanded.

When $\overline{\text{RESET}}$ is input, port 4 is set as an input port (output high-impedance state), and the output latch contents are undefined.

(6) P50 to P57 (Port 5) ... 3-state input/output

Port 5 is an 8-bit input/output port with an output latch. Input/output can be specified in 1-bit units by setting the port 5 mode register (PM5). Each pin incorporates a software programmable pull-up resistor. This port has direct LED drive capability. In addition, P50 to P57 can be selected by means of the memory expansion mode register (MM) in 2-bit units as pins that function as the address bus (A8 to A15) when external memory or I/Os are expanded.

When $\overline{\text{RESET}}$ is input, port 5 is set as an input port (output high-impedance state), and the output latch contents are undefined.

(7) P60 to P67 (Port 6) ... 3-state input/output

Port 6 is an 8-bit input/output port with an output latch. P60 to P67 incorporate a software programmable pull-up resistor. In addition to its function as a port, port 6 also has various alternate-function control signal pin functions, as shown in Table 2-4. Operations as control pins are performed by the respective function operations.

When $\overline{\text{RESET}}$ is input, P60 to P67 are set as input port pins (output high-impedance state), and the output latch contents are undefined.

Table 2-4. Port 6 Operation Modes

Pin Name	Port Mode	Control Signal Input/Output Mode	Operation to Operate as Control Pin
P60 to P63	Input/output ports	A16 to A19 output	Specified in 2-bit units by bits MM3 to MM0 of the MM
P64		$\overline{\text{RD}}$ output	External memory expansion mode is specified by bits MM3 to MM0 of the MM
P65		$\overline{\text{WR}}$ output	
P66		$\overline{\text{WAIT}}$ input	Specified by setting bits PWN1 & PWN0 (n = 0 to 7) of the PWC1 & PWC2 and P66 to input mode
		HLDRQ input	Bus hold enabled by the HLDE bit of the HLDM
P67		HLDK output	Set (to 1) the RFEN bit of the RFM
		$\overline{\text{REFRQ}}$ output	

(a) Port mode

Each port not set in the control mode can be set in the input or output mode in 1-bit units by using the port 6 mode register (PM6).

(b) Control signal input/output mode**(i) A16 to A19 (Address Bus)**

Upper address bus output pins in case of external memory space expansion (10000H to FFFFFH). These pins operate in accordance with the memory expansion mode register (MM).

(ii) $\overline{\text{RD}}$ (Read Strobe)

Pin that outputs the strobe signal for an external memory read operation. Operates in accordance with the memory expansion mode register (MM).

(iii) $\overline{\text{WR}}$ (Write Strobe)

Pin that outputs the strobe signal for an external memory write operation. Operates in accordance with the memory expansion mode register (MM).

(iv) $\overline{\text{WAIT}}$ (Wait)

Wait signal input pin. Operates in accordance with the programmable wait control registers (PWC1, PWC2).

(v) $\overline{\text{REFRQ}}$ (Refresh Request)

This pin outputs refresh pulses to pseudo-static memory when this memory is connected externally. Operates in accordance with the refresh mode register (RFM).

(vi) HLDRQ (Hold Request)

External bus hold request signal input pin. Operates in accordance with the hold mode register (HLDM).

(vii) HLDK (Hold Acknowledge)

Bus hold acknowledge signal output pin. Operates in accordance with the hold mode register (HLDM).

(8) P70 to P77 (Port 7) ... 3-state input/output

Port 7 is an 8-bit input/output port. In addition to operating as an input/output port, it also operates as the A/D converter analog input pins (ANI0 to ANI7).

Input/output can be specified in 1-bit units by setting the port 7 mode register (PM7).

The levels of these pins can always be read or tested, regardless of the alternate-function operation.

When $\overline{\text{RESET}}$ is input, port 7 is set as an input port (output high-impedance state), and the output latch contents are undefined.

(9) P90 to P97 (Port 9) ... 3-state input/output

Port 9 is an 8-bit input/output port with an output latch. Input/output can be specified in 1-bit units by setting the port 9 mode register (PM9). Each pin incorporates a software programmable pull-up resistor.

When $\overline{\text{RESET}}$ is input, port 9 is set as an input port (output high-impedance state), and the output latch contents are undefined.

(10) P100 to P107 (Port 10) ... 3-state input/output

Port 10 is an 8-bit input/output port with an output latch. Input/output can be specified in 1-bit units by setting the port 10 mode register (PM10). Each pin incorporates a software programmable pull-up resistor. P105 and P107 can be set in the N-ch open-drain mode.

P105 to P107 pins also function as the serial input/output pin by the port 10 mode control register (PMC10).

When $\overline{\text{RESET}}$ is input, port 10 is set as an input port (output high-impedance state), and the output latch contents are undefined.

(11) $\overline{\text{ASTB}}$ (Address Strobe)/CLKOUT (Clock Output) ... Output

This pin outputs the timing signal that latches address information externally in order to access an external address. It also operates as the pin that supplies the clock to an external device.

(12) X1, X2 (Crystal)

The internal clock oscillation crystal connection pins. When the clock is supplied externally, it is input to the X1 pin. Usually signal with the inverse phase of the X1 pin signal phase is input to the X2 pin (Refer to **4.3.1 Clock oscillator**).

(13) $\overline{\text{RESET}}$ (Reset) ... Input

Active-low reset input

(14) AV_{REF1}

A/D converter reference voltage input pin

(15) AV_{DD}

A/D converter power supply pin. This should be made at the same potential as the V_{DD} pin.

(16) AV_{SS}

A/D converter GND pin. This should be made at the same potential as the V_{SS} pin.

(17) V_{DD}

Positive power supply pins. All V_{DD} pins should be connected to the positive power supply.

(18) V_{SS}

GND potential pins. All V_{SS} pins should be connected to the ground.

(19) XT1 and XT2

These pins connect a crystal for watch clock oscillation.

(20) PWM0 and PWM1

These pins function as PWM output pins when so specified by the PWM control register (PWMC).

(21) $\overline{\text{RX}}$

IEBus data input pin

(22) $\overline{\text{TX}}$

IEBus data output pin

(23) REGC

This pin connects a capacitor for stabilizing the regulator output. Supply a voltage same as V_{DD} to this pin when the regulator is stopped (refer to **Figure 5-1. Regulator Peripherals Block Diagram**).

(24) REGOFF

This pin controls the regulator operation by operating or stopping the regulator.

(25) V_{PP} (μ PD78F4938) only

High-voltage apply pin for flash memory programming mode setting and program write/verify

(26) IC

IC test pin. Connect directly to V_{ss}.

2.3 Input/Output Circuits and Connection of Unused Pins

Table 2-5 shows the input/output circuit types of the pins that have functions, and the connection method when that function is not used.

Each input/output circuit type is shown in Figure 2-1.

Table 2-5. Pin Input/Output Circuit Types and Recommended Connection of Unused Pins (1/2)

Pin Name	Input/Output Circuit Type	Input/Output	Recommended Connection of Unused Pins
P00 to P07	5-A	Input/output	Input: Connect to V_{DD} Output: Leave open
P10, P11			
P12/ASCK2/ $\overline{SCK2}$			
P13/RxD2/SI2			
P14/TxD2/SO2			
P15 to P17			
P20/NMI	2	Input	Connect to V_{DD} or V_{SS}
P21/INTP0			
P22/INTP1			
P23/INTP2/CI			
P24/INTP3	2-A		Connect to V_{DD}
P25/INTP4/ASCK/ $\overline{SCK1}$			
P26/INTP5	2-A	Input	Connect to V_{DD}
P27/SI0			
P30/RxD/SI1	5-A	Input/output	Input: Connect to V_{DD} Output: Leave open
P31/TxD/SO1			
P32/ $\overline{SCK0}$			
P33/SO0			
P34/TO0 to P37/TO3	5-A		
P40/AD0 to P47/AD7			
P50/A8 to P57/A15			
P60/A16 to P63/A19			
P64/ \overline{RD}			
P65/ \overline{WR}			
P66/ \overline{WAIT} /HLDRQ			
P67/ \overline{REFRQ} /HLDK			

Table 2-5. Pin Input/Output Circuit Types and Recommended Connection of Unused Pins (2/2)

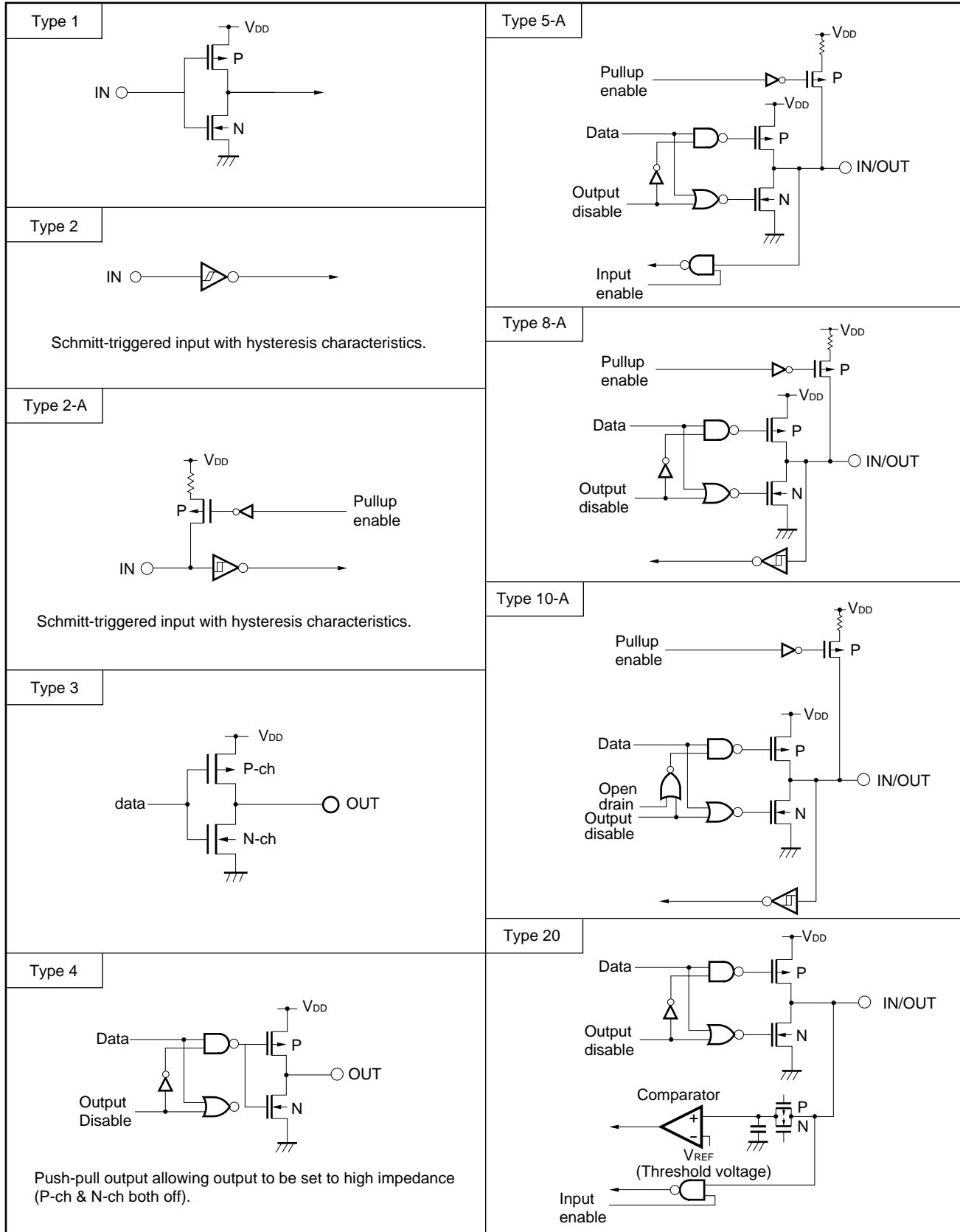
Pin Name	Input/Output Circuit Type	Input/Output	Recommended Connection of Unused Pins
P70/ANI0 to P77/ANI7	20	Input/output	Input: Connect to V _{DD} or V _{SS} Output: Leave open
P90 to P97	5-A		
P100 to P104			
P105/SCK3	10-A		
P106/SI3	8-A		
P107/SO3	10-A		
ASTB/CLKOUT	4	Output	Leave open
RESET	2	Input	—
IC/V _{PP} ^{Note}	1		Directly connect to V _{SS}
XT2	—	—	Leave open
XT1	—	Input	Connect to V _{SS}
REGOFF	1		Connect to V _{DD}
REGC	—	—	
PWM0, PWM1	3	Output	Leave open
R _X	2	Input	Connect to V _{DD} or V _{SS}
T _X	3	Output	Leave open
AV _{REF1}	—	Input	Connect to V _{SS}
AV _{SS}			
AV _{DD}			Connect to V _{DD}

Note The V_{PP} pin is used only in the μ PD78F4938.

Caution If the input/output mode is undefined for an input/output alternate-function pin, it should be connected to V_{DD} via a resistor of several tens of k Ω (especially when the reset input pin goes to the low-level input voltage or over upon powering on, and when input/output is switched by software.)

Remark The type numbers are standard for the 78K Series, and therefore are not necessarily serial numbers within each product (there are non-incorporated circuits).

Figure 2-1. Pin Input/Output Circuits



2.4 Cautions

When connecting unused pins, if the input/output mode is undefined for an input/output alternate function, it should be connected to V_{DD} with a resistor of several tens of $k\Omega$ (especially when the reset input pin becomes the low-level input voltage or over upon powering on, and when input/output is switched by software.)

[MEMO]

CHAPTER 3 CPU ARCHITECTURE

3.1 Memory Space

The μ PD784938 can access a 1-Mbyte memory space. The mapping of the internal data area (special function registers and internal RAM) depends on the LOCATION instruction. A LOCATION instruction must be executed after reset release, and can only be used once.

The program after reset release must be as follows:

```
RSTVCT  CSEG  AT 0
        DW    RSTSTRT
        to
INITSEG  CSEG  BASE
RSTSTRT: LOCATION 0H; or LOCATION 0FH
        MOVG  SP, #STKBGN
```

(1) When LOCATION 0 instruction is executed

- **Internal memory**

The internal data area and internal ROM area are follows:

Part Number	Internal Data Area	Internal ROM Area
μ PD784935	0EB00H to 0FFFFH	00000H to 0EAFFH 10000H to 17FFFH
μ PD784936	0E500H to 0FFFFH	00000H to 0E4FFH 10000H to 1FFFFH
μ PD784937	0DF00H to 0FFFFH	00000H to 0DEFFH 10000H to 2FFFFH
μ PD784938 μ PD78F4938	0D600H to 0FFFFH	00000H to 0D5FFH 10000H to 3FFFFH

Caution The following areas of the internal ROM that overlap the internal data area cannot be used when the LOCATION 0 instruction is executed.

Part Number	Area That Cannot Be Used
μ PD784935	0EB00H to 0FFFFH (5,376 bytes)
μ PD784936	0E500H to 0FFFFH (6,192 bytes)
μ PD784937	0DF00H to 0FFFFH (8,448 bytes)
μ PD784938 μ PD78F4938	0D600H to 0FFFFH (10,752 bytes)

- **External memory**

The external memory is accessed in the external memory expansion mode.

(2) When LOCATION 0FH instruction is executed

- **Internal memory**

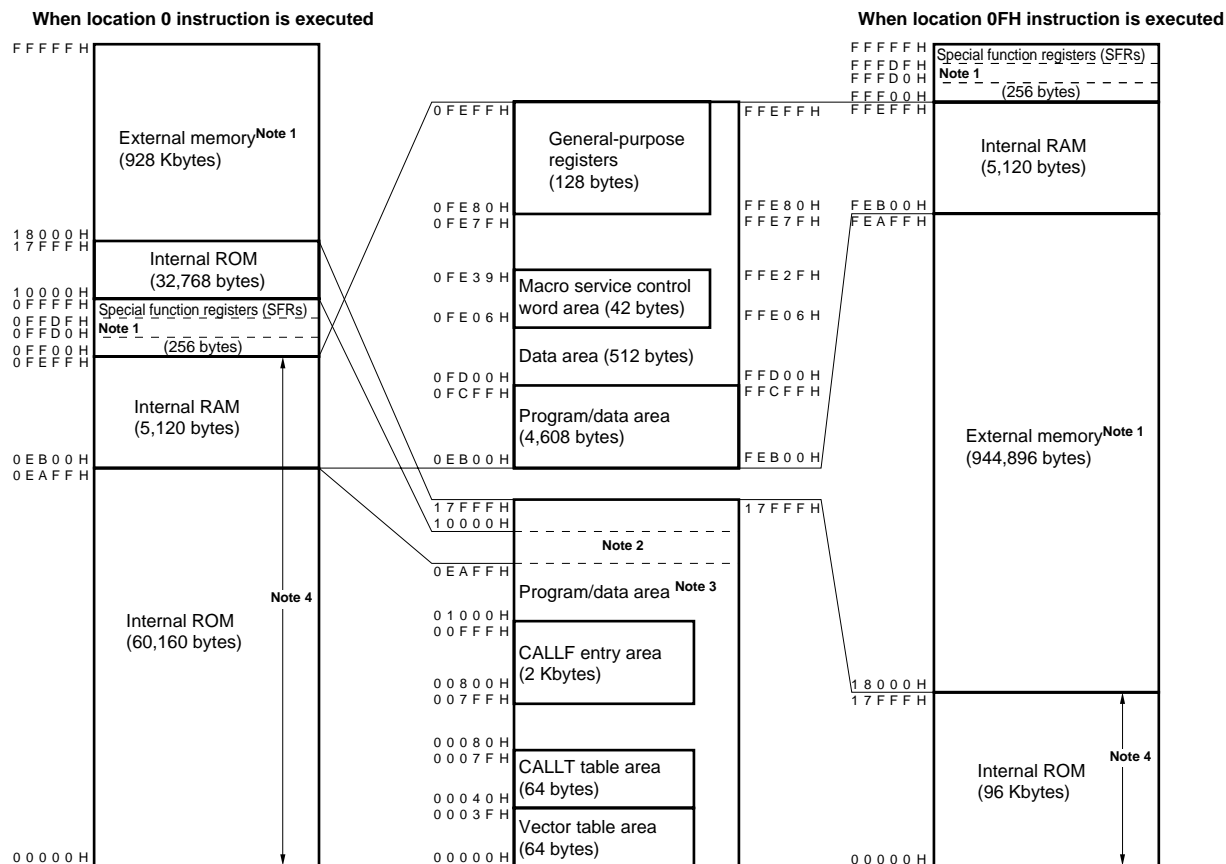
The internal data area and internal ROM area are follows:

Part Number	Internal Data Area	Internal ROM Area
μ PD784935	FEB00H to FFFFFH	00000H to 17FFFH
μ PD784936	FE500H to FFFFFH	00000H to 1FFFFH
μ PD784937	FDF00H to FFFFFH	00000H to 2FFFFH
μ PD784938 μ PD78F4938	FD600H to FFFFFH	00000H to 3FFFFH

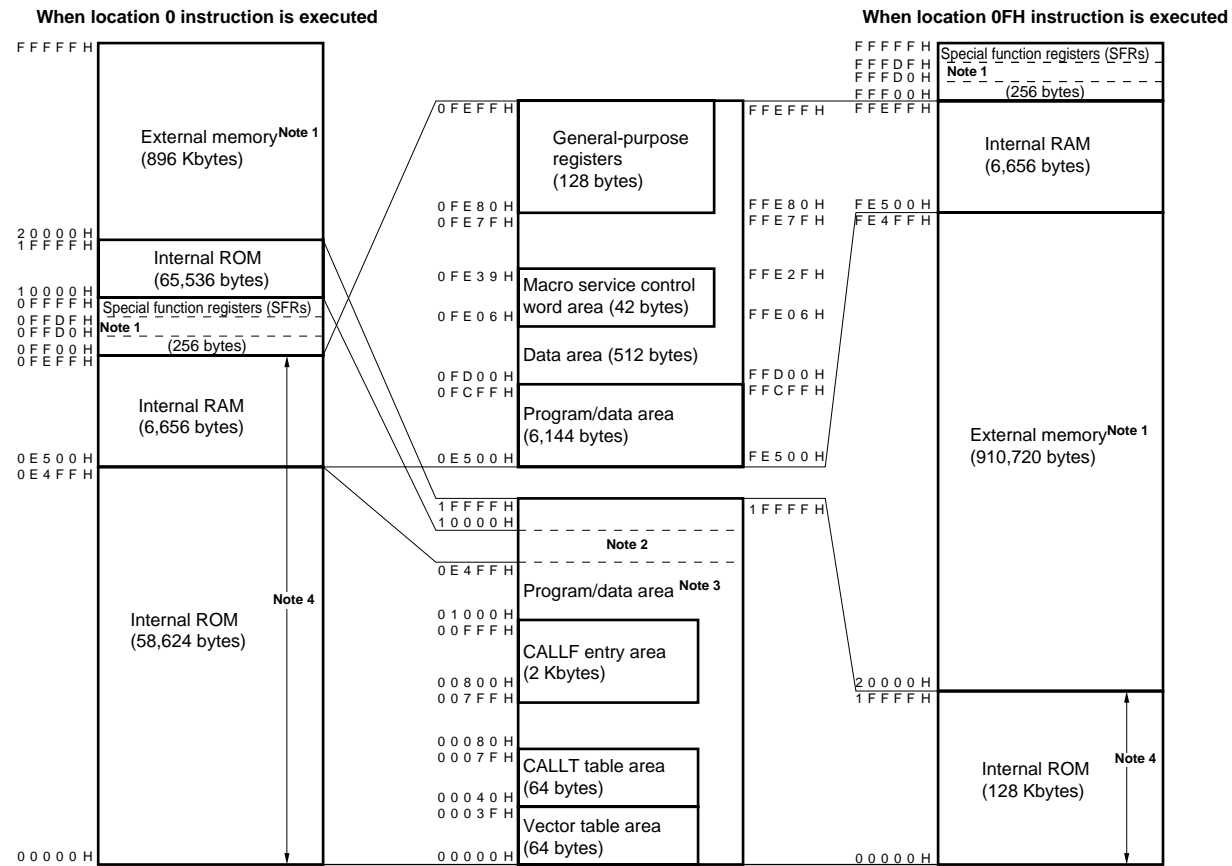
- **External memory**

The external memory is accessed in the external memory expansion mode.

Figure 3-1. μ PD784935 Memory Map

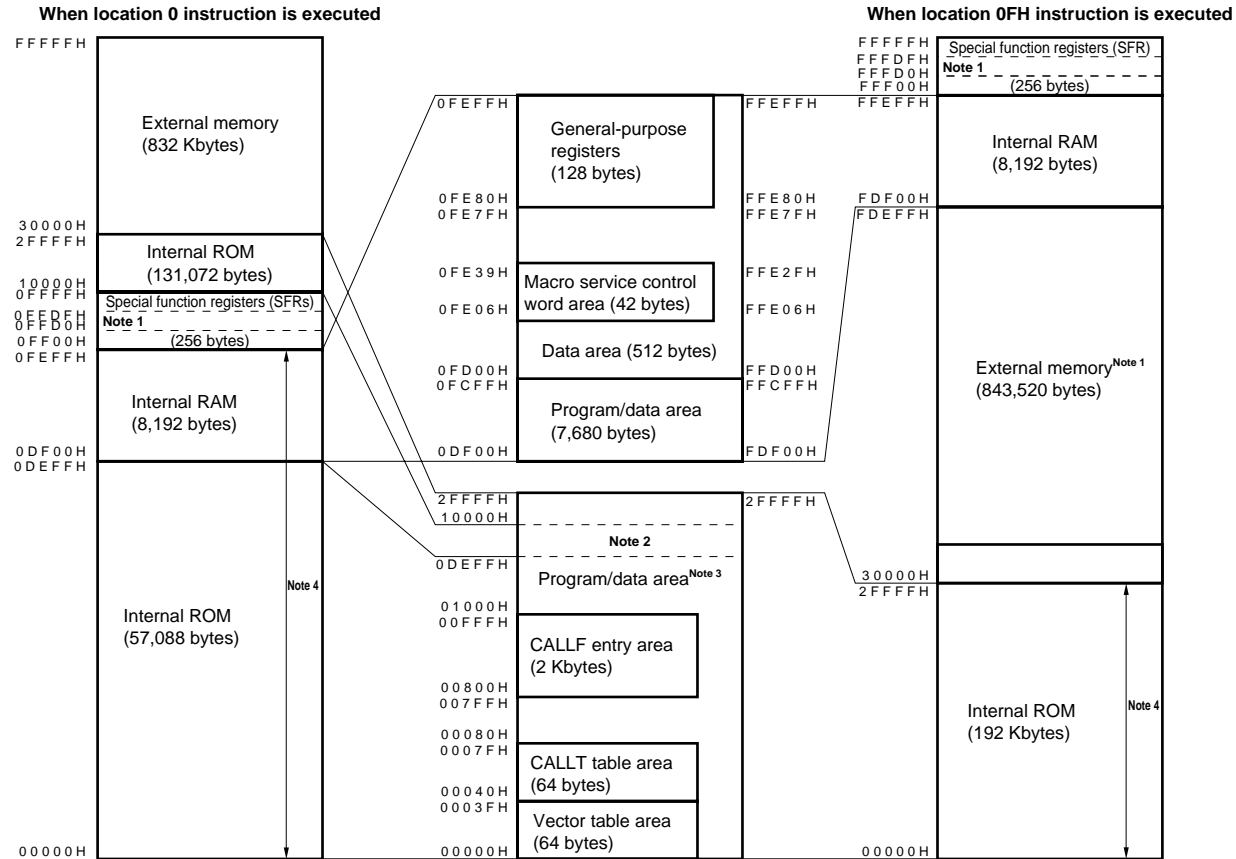


- Notes**
1. Accessed in external memory expansion mode.
 2. The 5,376 bytes of this area can be used as internal ROM only when the LOCATION 0FH instruction is executed.
 3. 92,928 bytes when the LOCATION 0 instruction is executed, and 98,304 bytes when the LOCATION 0FH instruction is executed.
 4. Base area, reset or interrupt entry area, excluding internal RAM in the case of reset.

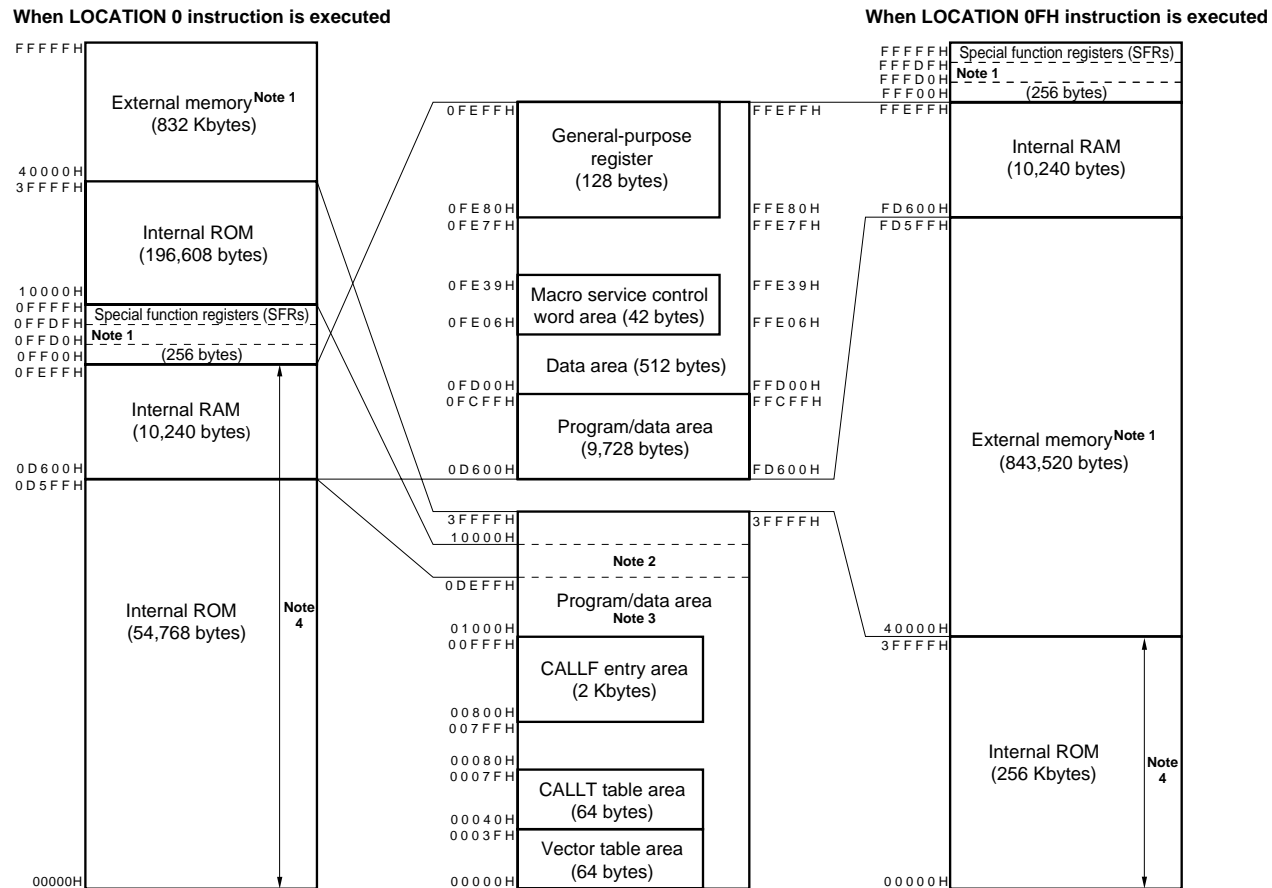
Figure 3-2. μ PD784936 Memory Map

- Notes**
1. Accessed in external memory expansion mode.
 2. The 6,912 bytes of this area can be used as internal ROM only when the LOCATION 0FH instruction is executed.
 3. 124,160 bytes when the LOCATION 0 instruction is executed, and 131,072 bytes when the LOCATION 0FH instruction is executed.
 4. Base area, reset or interrupt entry area, excluding internal RAM in the case of reset.

Figure 3-3. μ PD784937 Memory Map



- Notes**
1. Accessed in external memory expansion mode.
 2. The 8,488 bytes of this area can be used as internal ROM only when the LOCATION 0FH instruction is executed.
 3. 188,160 bytes when the LOCATION 0 instruction is executed, and 196,608 bytes when the LOCATION 0FH instruction is executed.
 4. Base area, reset or interrupt entry area, excluding internal RAM in the case of reset.

Figure 3-4. μ PD784938, 78F4938 Memory Map

3.2 Internal ROM Area

The μ PD784938 Subseries products shown below incorporate ROM which is used to store programs, table data, etc.

If the internal ROM area and internal data area overlap when the LOCATION 0 instruction is executed, the internal data area is accessed, and the overlapping part of the internal ROM area cannot be accessed.

Part Number	Internal ROM	Address Space	
		LOCATION 0 Instruction	LOCATION 0FH Instruction
μ PD784935	96 Kbytes \times 8 bits	00000H to 0EAF7FH 10000H to 17FFFH	00000H to 17FFFH
μ PD784936	128 Kbytes \times 8 bits	00000H to 0E4FFH 10000H to 1FFFFH	00000H to 1FFFFH
μ PD784937	192 Kbytes \times 8 bits	00000H to 0DEFFH 10000H to 2FFFFH	00000H to 2FFFFH
μ PD784938 μ PD78F4938	256 Kbytes \times 8 bits	00000H to 0D5FFH 10000H to 3FFFFH	00000H to 3FFFFH

The internal ROM can be accessed at high speed. Normally, fetches are performed at the same speed as external ROM, but if the IFCH bit of the memory expansion mode register (MM) is set (to 1), the high-speed fetch function is used and internal ROM fetches are performed at high speed (2-byte fetch performed in 2 system clocks).

When the instruction execution cycle equal to an external ROM fetch is selected, wait insertion is performed by the wait function, but when high-speed fetches are used, wait insertion is not performed for internal ROM.

$\overline{\text{RESET}}$ input sets the instruction execution cycle equal to the external ROM fetch cycle.

3.3 Base Area

The space from 0 to FFFFH comprises the base area. The base area is the object for the following uses:

- Reset entry address
- Interrupt entry address
- CALLT instruction entry address
- 16-bit immediate addressing mode (with instruction address addressing)
- 16-bit direct addressing mode
- 16-bit register addressing mode (with instruction address addressing)
- 16-bit register indirect addressing mode
- Short direct 16-bit memory indirect addressing mode

The vector table area, CALLT instruction table area and CALLF instruction entry area are allocated to the base area.

When the LOCATION 0 instruction is executed, the internal data area is located in the base area. Note that, in the internal data area, program fetches cannot be performed from the internal high-speed RAM area or special function register (SFR) area. Also, internal RAM area data should only be used after initialization has been performed.

3.3.1 Vector table area

The 64-byte area from 00000H to 0003FH is reserved as the vector table area. The vector table area stores the program start addresses used when a branch is made as the result of $\overline{\text{RESET}}$ input or generation of an interrupt request. When context switching is used by an interrupt, the number of the register bank to be switched to is stored here.

Any portion not used as the vector table can be used as program memory or data memory.

16-bit values can be written to the vector table. Therefore, branches can only be made within the base area.

Table 3-1. Vector Table

Vector Table Address	Interrupt Source
0003CH	Operand error
0003EH	BRK
00000H	Reset ($\overline{\text{RESET}}$ input)
00002H	NMI
00004H	WDT
00006H	INTP0
00008H	INTP1
0000AH	INTP2
0000CH	INTP3
0000EH	INTC00
00010H	INTC01
00012H	INTC10
00014H	INTC11
00016H	INTC20
00018H	INTC21
0001AH	INTC30
0001CH	INTP4
0001EH	INTP5
00020H	INTAD
00022H	INTSER1
00024H	INTSR1/INTCSI1
00026H	INTST1
00028H	INTCSI
0002AH	INTSER2
0002CH	INTSR2/INTCSI2
0002EH	INTST2
00032H	INTIE1
00034H	INTIE2
00036H	INTW
00038H	INTCSI3

3.3.2 CALLT instruction table area

The 1-byte call instruction (CALLT) subroutine entry addresses can be stored in the 64-byte area from 00040H to 0007FH.

The CALLT instruction references this table, and branches to a base area address written in the table as a subroutine. As the CALLT instruction is one byte in length, use of the CALLT instruction for subroutine calls written frequently throughout the program enables the program object size to be reduced. The table can contain up to 32 subroutine entry addresses, and therefore it is recommended that they be recorded in order of frequency.

If this area is not used as the CALLT instruction table, it can be used as ordinary program memory or data memory.

3.3.3 CALLF instruction entry area

A subroutine call can be made directly to the area from 00800H to 00FFFH with the 2-byte call instruction (CALLF).

As the CALLF instruction is a two-byte call instruction, it enables the object size to be reduced compared with use of the direct subroutine call CALL instruction (3 or 4 bytes).

Writing subroutines directly in this area is an effective means of exploiting the high-speed capability of the device.

If you wish to reduce the object size, writing an unconditional branch (BR) instruction in this area and locating the subroutine itself outside this area will result in a reduced object size for subroutines that are called from five or more points. In this case, only the 4 bytes of the BR instruction are occupied in the CALLF entry area, enabling the object size to be reduced in a large number of subroutines.

3.4 Internal Data Area

The internal data area consists of the internal RAM area and special function register area (see **Figures 3-1, 3-2, and 3-3**).

The final address of the internal data area can be specified by means of the LOCATION instruction as either 0FFFFH (when a LOCATION 0 instruction is executed) or FFFFFH (when a LOCATION 0FH instruction is executed). Selection of the addresses of the internal data area by means of the LOCATION instruction must be executed once immediately after reset release, and once the selection is made, it cannot be changed. The program after reset release must be as shown in the example below. If the internal data area and another area are allocated to the same addresses, the internal data area is accessed and the other area cannot be accessed.

```

Example  RSTVCT  CSEG  AT 0
           DW      RSTSTRT
           to
           INITSEG CSEG  BASE
           RSTSTRT: LOCATION 0H; or LOCATION 0FH
           MOVG   SP, #STKBGN

```

Caution When the LOCATION 0 instruction is executed, it is necessary to ensure that the program after reset release does not overlap the internal data area. It is also necessary to make sure that the entry addresses of the service routines for non-maskable interrupts such as NMI do not overlap the internal data area. Also, initialization must be performed for maskable interrupt entry areas, etc., before the internal data area is referenced.

3.4.1 Internal RAM area

The μ PD784938 incorporates general-purpose static RAM.

This area is configured as follows:

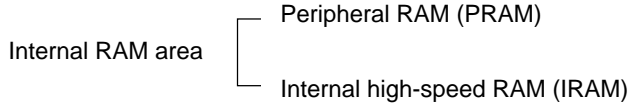


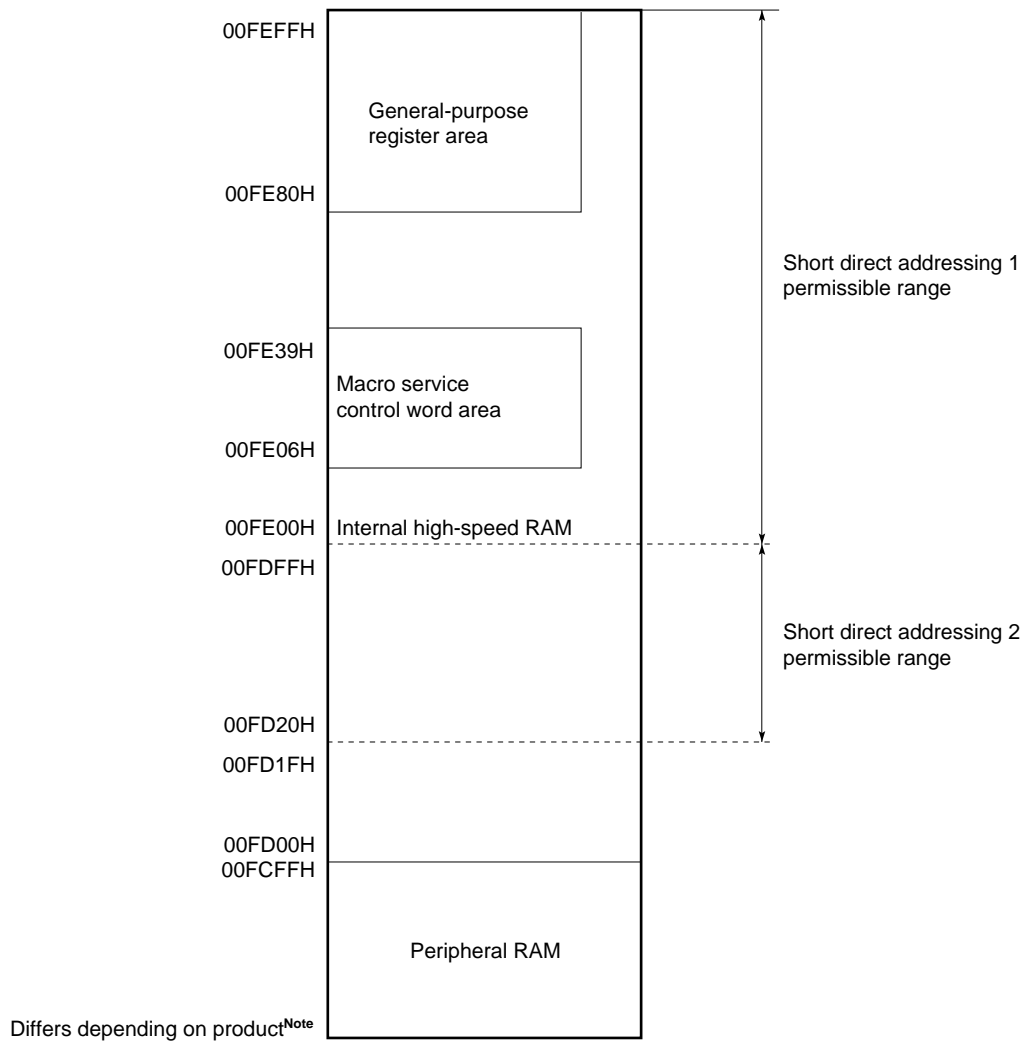
Table 3-2. Internal RAM Area

Internal RAM Part Number	Internal RAM Area		
		Peripheral RAM: PRAM	Internal High-Speed RAM: IRAM
μ PD784935	5,120 bytes (0EB00H to 0FEFFH)	4,608 bytes (0EB00H to 0FCFFH)	512 bytes (0FD00H to 0FEFFH)
μ PD784936	6,656 bytes (0E500H to 0FEFFH)	6,144 bytes (0E500H to 0FCFFH)	
μ PD784937	8,192 bytes (0DF00H to 0FEFFH)	7,680 bytes (0DF00H to 0FCFFH)	
μ PD784938 μ PD78F4938	10,240 bytes (0D600H to 0FEFFH)	9,728 bytes (0D600H to 0FCFFH)	

Remark The addresses in the table are the values that apply when the LOCATION 0 instruction is executed. When the LOCATION 0FH instruction is executed, 0F0000H should be added to the values shown above.

The internal RAM memory map is shown in Figure 3-5.

Figure 3-5. Internal RAM Memory Map



Note μ PD784935: 00EB00H
 μ PD784936: 00E500H
 μ PD784937: 00DF00H
 μ PD784938, 78F4938: 00D600H

Remark The addresses in the figure are the values that apply when the LOCATION 0 instruction is executed. When the LOCATION 0FH instruction is executed, 0F0000H should be added to the values shown above.

(1) Internal high-speed RAM (IRAM)

The internal high-speed RAM (IRAM) allows high-speed accesses to be made. The short direct addressing mode for high-speed accesses can be used on FD20H to FEFFH in this area. There are two kinds of short direct addressing mode, short direct addressing 1 and short direct addressing 2, according to the target address. The function is the same in both of these addressing modes. With some instructions, the word length is shorter with short direct addressing 2 than with short direct addressing 1. See the **78K/IV Series User's Manual Instructions** for details.

A program fetch cannot be performed from IRAM. If a program fetch is performed from an address onto which IRAM is mapped, CPU inadvertent loop will result.

The following areas are reserved in IRAM.

- General-purpose register area: FE80H to FEFFH
- Macro service control word area: FE06H to FE39H (excluding 0FE22H, 0FE23H, 0FE2AH, 0FE2BH, 0FE30H, 0FE31H)
- Macro service channel area: FE00H to FEFFH (the address is specified by the macro service control word)

If the reserved function is not used in these areas, they can be used as ordinary data memory.

Remark The addresses in this text are those that apply when the LOCATION 0 instruction is executed. When the LOCATION 0FH instruction is executed, 0F0000H should be added to the values shown in the text.

(2) Peripheral RAM (PRAM)

The peripheral RAM (PRAM) is used as ordinary program memory or data memory. When used as program memory, the program must be written to the peripheral RAM beforehand by a program.

Program fetches from peripheral RAM are fast, with a 2-byte fetch being executed in 2 clocks.

3.4.2 Special function register (SFR) area

The on-chip peripheral hardware special function registers (SFRs) are mapped onto the area from 0FF00H to 0FFFFH (see **Figures 3-1, 3-2, 3-3, and 3-4**).

The area from 0FFD0H to 0FFDFH is mapped as an external SFR area, and allows externally connected peripheral I/Os, etc., to be accessed in external memory expansion mode (specified by the memory expansion mode register (MM)) by the ROM-less product or on-chip ROM products.

Caution Addresses onto which SFRs are not mapped should not be accessed in this area. If such an address is accessed by mistake, the CPU may become deadlocked. A deadlock can only be released by reset input.

Remark The addresses in this text are those that apply when the LOCATION 0 instruction is executed. When the LOCATION 0FH instruction is executed, 0F000H should be added to the values shown in the text.

3.4.3 External SFR area

In μ PD784938 Subseries products, the 16-byte area from 0FFD0H to 0FFDFH in the SFR area (when the LOCATION 0 is executed; 0FFFD0H to 0FFDFH when the LOCATION 0FH instruction is executed) is mapped as an external SFR area. When the external memory expansion mode is set in a ROM-less product or on-chip ROM product, externally connected peripheral I/Os, etc., can be accessed using the address bus or address/data bus, etc.

As the external SFR area can be accessed by SFR addressing, peripheral I/O and similar operations can be performed easily, the object size can be reduced, and macro service can be used.

Bus operations for accesses to the external SFR area are performed in the same way as for ordinary memory accesses.

3.5 External Memory Space

The external memory space is a memory space that can be accessed in accordance with the setting of the memory expansion mode register (MM). It can store programs, table data, etc., and can have peripheral I/O devices allocated to it.

3.6 μ PD78F4938 Memory Mapping

The memory size switching register (IMS) specifies the internal memory size. With the μ PD78F4938, users are able to select the internal memory capacity using the IMS so that the same memory map as that of mask ROM versions with a different internal memory capacity can be achieved.

The IMS is set with an 8-bit memory manipulation instruction.

$\overline{\text{RESET}}$ input sets IMS to FFH.

Figure 3-6. Internal Memory Size Switching Register (IMS)

Address: 0FFFCCH After reset: FFH W/R

	7	6	5	4	3	2	1	0
IMS	1	1	ROM1	ROM0	1	1	RAM1	RAM0

ROM1	ROM0	Internal ROM Capacity Selection
0	0	256 Kbytes
0	1	96 Kbytes
1	0	128 Kbytes
1	1	192 Kbytes

RAM1	RAM0	Internal RAM Capacity Selection
0	0	10,240 bytes
0	1	5,120 bytes
1	0	6,656 bytes
1	1	8,192 bytes

Caution The IMS is not contained in mask ROM products (μ PD784935, 784936, 784937, 784938).

The IMS setting to obtain the same memory map as mask ROM products are shown in Table 3-3.

Table 3-3. Internal Memory Size Switching Register (IMS) Setting Value

Mask ROM Product	IMS Setting Value
μ PD784935	DDH
μ PD784936	EEH
μ PD784937	FFH
μ PD784938	CCH

3.7 Control Registers

Control registers consist of the program counter (PC), program status word (PSW), and stack pointer (SP).

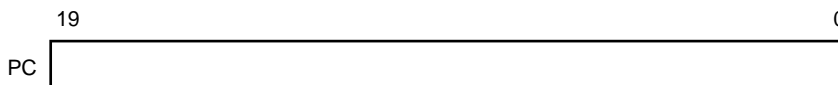
3.7.1 Program counter (PC)

This is a 20-bit binary counter that holds address information on the next program to be executed (see **Figure 3-7**).

Normally, the PC is incremented automatically by the number of bytes in the fetched instruction. When an instruction associated with a branch is executed, the immediate data or register contents are set in the PC.

Upon $\overline{\text{RESET}}$ input, the 16-bit data in address 0 and 1 is set in the low-order 16 bits, and 0000 in the high-order 4 bits of the PC.

Figure 3-7. Program Counter (PC) Format



3.7.2 Program status word (PSW)

The program status word (PSW) is a 16-bit register comprising various flags that are set or reset according to the result of instruction execution.

Read accesses and write accesses are performed in high-order 8-bit (PSWH) and low-order 8-bit (PSWL) units. Individual flags can be manipulated by bit-manipulation instructions.

The contents of the PSW are automatically saved to the stack when a vectored interrupt request is acknowledged or a BRK instruction is executed, and automatically restored when an RETI or RETB instruction is executed. When context switching is used, the contents are automatically saved in RP3, and automatically restored when an RETCS or RETCSB instruction is executed.

$\overline{\text{RESET}}$ input resets (to 0) all bits.

"0" must always be written to the bits written as "0" in **Figure 3-8**. The contents of bits written as "-" are undefined when read.

Figure 3-8. Program Status Word (PSW) Format

Symbol	7	6	5	4	3	2	1	0
PSWH	UF	RBS2	RBS1	RBS0	-	-	-	-
PSWL	S	Z	RSS	AC	IE	P/V	0	CY

The flags are described below.

(1) Carry flag (CY)

The carry flag records a carry or borrow resulting from an operation.

This flag also records the shifted-out value when a shift/rotate instruction is executed, and functions as a bit accumulator when a bit-manipulation instruction is executed.

The status of the CY flag can be tested with a conditional branch instruction.

(4) Auxiliary carry flag (AC)

The AC flag is set (to 1) when there is a carry out of bit 3 or a borrow into bit 3 as the result of an operation, and reset (to 0) otherwise.

This flag is used when the ADJBA or ADJBS instruction is executed.

(5) Register set selection flag (RSS)

The RSS flag specifies the general-purpose registers that function as X, A, C, and B, and the general-purpose register pairs (16-bit) that function as AX and BC.

This flag is provided to maintain compatibility with the 78K/III Series, and must be set to 0 except when using a 78K/III Series program.

(6) Zero flag (Z)

The Z flag records the fact that the result of an operation is "0".

It is set (to 1) when the result of an operation is "0", and reset (to 0) otherwise. The status of the Z flag can be tested with a conditional branch instruction.

(7) Sign flag (S)

The S flag records the fact that the MSB is "1" as the result of an operation.

It is set (to 1) when the MSB is "1" as the result of an operation, and reset (to 0) otherwise. The status of the S flag can be tested with a conditional branch instruction.

(8) Register bank selection flag (RBS0 to RBS2)

This is a 3-bit flag used to select one of the 8 register banks (register bank 0 to register bank 7) (see **Table 3-4**).

It stores 3-bit information which indicates the register bank selected by execution of a SEL RBn instruction, etc.

Table 3-4. Register Bank Selection

RBS2	RBS1	RBS0	Specified Register Bank
0	0	0	Register bank 0
0	0	1	Register bank 1
0	1	0	Register bank 2
0	1	1	Register bank 3
1	0	0	Register bank 4
1	0	1	Register bank 5
1	1	0	Register bank 6
1	1	1	Register bank 7

(9) User flag (UF)

This flag can be set and reset in the user program, and used for program control.

3.7.3 Use of RSS bit

Basically, the RSS bit should be fixed at 0 at all times.

The following explanation refers to the case where a 78K/III Series program is used, and the program used sets the RSS bit to 1. This explanation can be skipped if the RSS bit is fixed at 0.

The RSS bit is provided to allow the functions of A (R1), X (R0), B (R3), C (R2), AX (RP0), and BC (RP1) to be used by registers R4 to R7 (RP2, RP3) as well. Effective use of this bit enables efficient programs to be written in terms of program size and program execution.

However, careless use can result in unforeseen problems. Therefore, the RSS bit should always be set to 0. The RSS bit should only be set to 1 when a 78K/III Series program is used.

Use of the RSS bit set to 0 in all programs will improve programming and debugging efficiency.

Even when using a program in which the RSS bit set to 1 is used, it is recommended that the program be amended if possible so that it does not set the RSS bit to 1.

(1) RSS bit specification

- Registers used by instructions for which the A, X, B, C, and AX registers are directly entered in the operand column of the operation list (see **28.2**)
- Registers specified as implied by instructions that use the A, AX, B, and C registers by means of implied addressing
- Registers used in addressing by instructions that use the A, B, and C registers in indexed addressing and based indexed addressing

The registers used in these cases are switched as follows according to the RSS bit.

- When RSS = 0
A→R1, X→R0, B→R3, C→R2, AX→RP0, BC→RP1
- When RSS = 1
A→R5, X→R4, B→R7, C→R6, AX→RP2, BC→RP3

Registers used other than those mentioned above are always the same irrespective of the value of the RSS bit. With the NEC assembler (RA78K4), the register operation code generated when the A, X, B, C, AX, and BC registers are described by those names is determined by the assembler RSS pseudo-instruction.

When the RSS bit is set or reset, an RSS pseudo-instruction must be written immediately before (or immediately after) the relevant instruction (see example below).

<Program example>

- When RSS is set to 0

```
RSS 0      ; RSS pseudo-instruction
CLR1 PSWL.5
MOV B, A   ; This description is equivalent to "MOV R3, R1".
```

- When RSS is set to 1

```
RSS 1      ; RSS pseudo-instruction
SET1 PSWL.5
MOV B, A   ; This description is equivalent to "MOV R7, R5".
```

(2) Operation code generation method with RA78K4

- With RA78K4, if there is an instruction with the same function as an instruction for which A or AX is directly entered in the operand column of the instruction operation list, the operation code for which A or AX is directly entered in the operand column is generated first.

Example The function is the same when B is used as r in a MOV A,r instruction, and when A is used as r and B is used as r' in a MOVr,r' instruction, and the same description (MOV,A,B) is used in the assembler source program. In this case, RA78K4 generates code equivalent to the MOV A, r instruction.

- If A, X, B, C, AX, or BC is written in an instruction for which r, r', rp, and rp' are specified in the operand column, the A, X, B, C, AX, and BC instructions generate an operation code that specifies the following registers according to the operand of the RA78K4 RSS pseudo-instruction.

Register	RSS = 0	RSS = 1
A	R1	R5
X	R0	R4
B	R3	R7
C	R2	R6
AX	RP0	RP2
BC	RP1	RP3

- If R0 to R7 or RP0 to RP4 is written as r, r', rp, or rp' in the operand column, an operation code in accordance with that specification is output (an operation code for which A or AX is directly entered in the operand column is not output.)
- Descriptions R1, R3, R2 or R5, R7, R6 cannot be used for registers A, B, and C used in indexed addressing and based indexed addressing.

(3) Operating precautions

Switching the RSS bit has the same effect as having two register sets. However, when writing a program, care must be taken to ensure that the static program description and dynamic RSS bit changes at the time of program execution always coincide.

Also, a program that sets RSS to 1 cannot be used by a program that uses the context switching function, and therefore program usability is poor. Moreover, since different registers are used with the same name, program readability is poor and debugging is difficult. Therefore, if it is necessary to set RSS to 1, these disadvantages must be fully taken into consideration when writing a program.

A register not specified by the RSS bit can be accessed by writing its absolute name.

3.7.4 Stack pointer (SP)

The stack pointer is a 24-bit register that holds the start address of the stack area (LIFO type: 00000H to FFFFFFFH) (see **Figure 3-9**). It is used to address the stack area when subroutine processing or interrupt servicing is performed. Be sure to write “0” in the high-order 4 bits.

The contents of the SP are decremented before a write to the stack area and incremented after a read from the stack area (see **Figures 3-10 and 3-11**).

The SP is accessed by dedicated instructions.

The SP contents are undefined after $\overline{\text{RESET}}$ input, and therefore the SP must always be initialized by an initialization program directly after reset release (before a subroutine call or interrupt acknowledgment).

Example SP initialization

```
MOVG SP, #0FEE0H; SP ← 0FEE0H (when used from FEDFH)
```

Figure 3-9. Stack Pointer (SP) Format

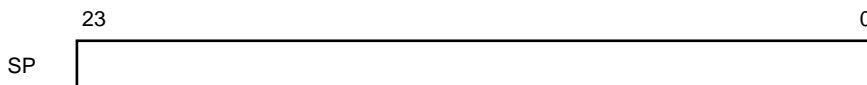


Figure 3-10. Data Saved to Stack Area

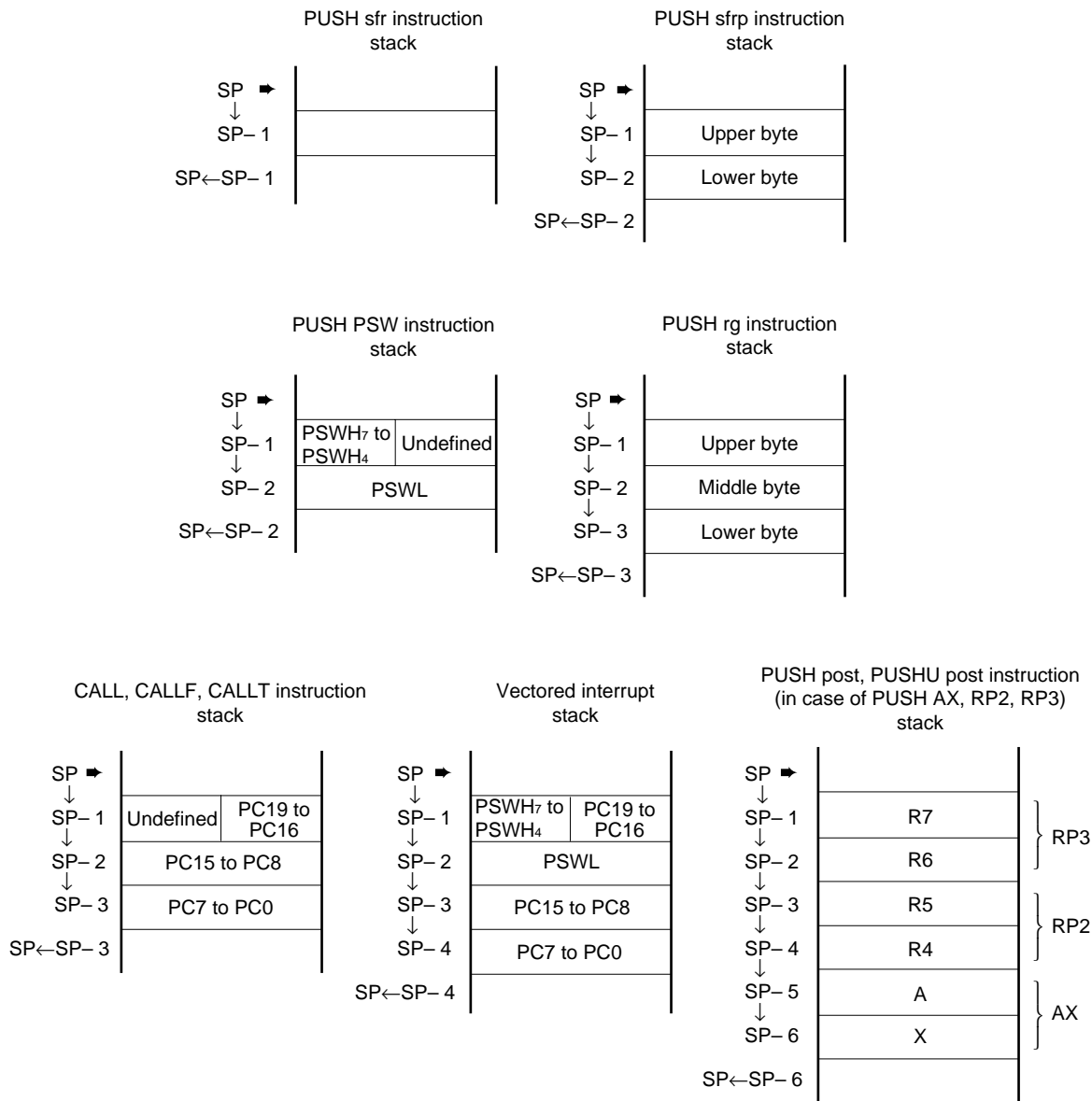
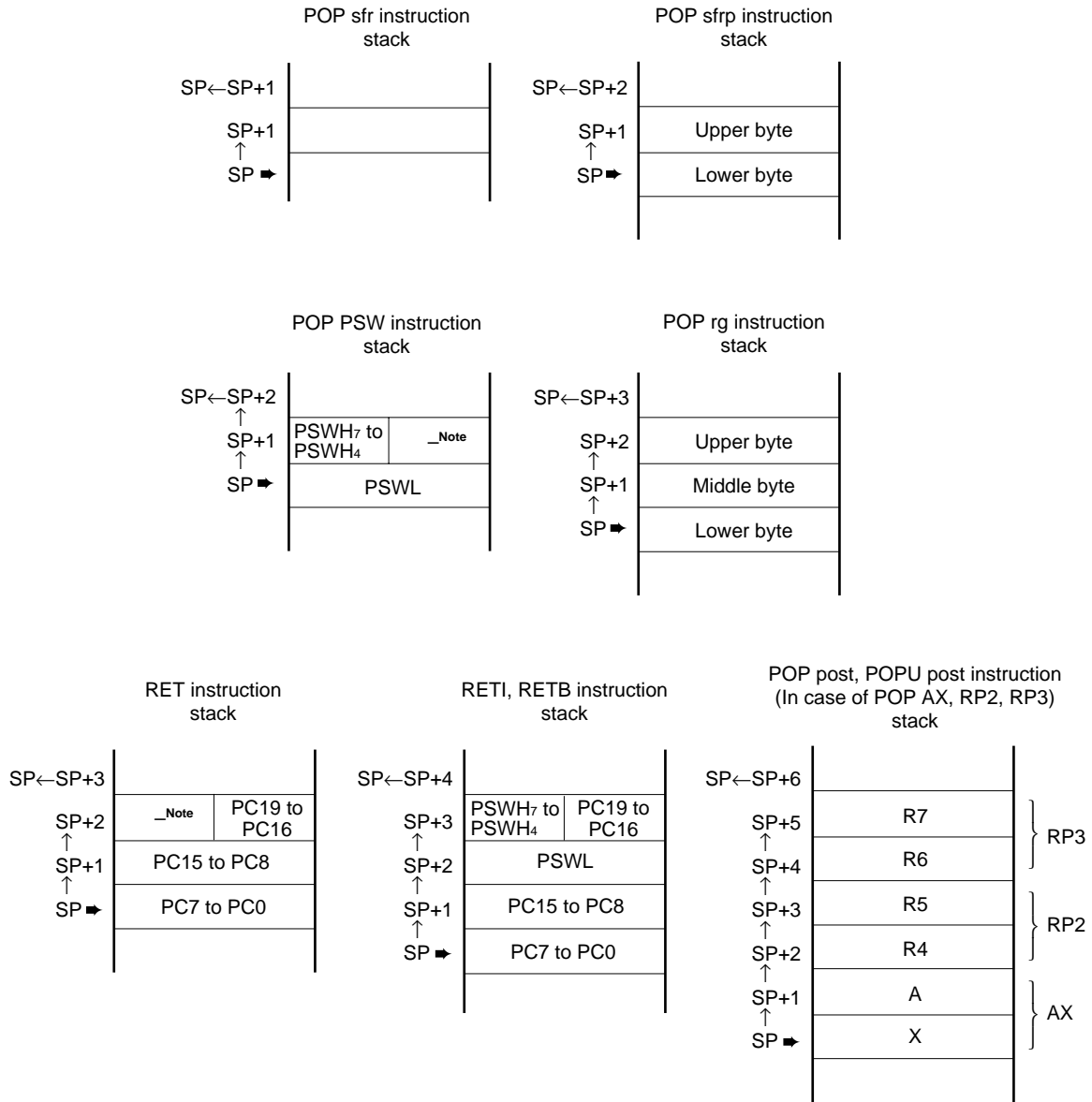


Figure 3-11. Data Restored from Stack Area



Note This 4-bit data is ignored.

- Cautions**
1. With stack addressing, the entire 1-Mbyte space can be accessed but a stack area cannot be reserved in the SFR area or internal ROM area.
 2. The stack pointer (SP) is undefined after $\overline{\text{RESET}}$ input. Moreover, non-maskable interrupts can still be acknowledged when the SP is in an undefined state. An unanticipated operation may therefore be performed if a non-maskable interrupt request is generated when the SP is in the undefined state directly after reset release. To avoid this risk, the program after reset release must be written as follows.

```
RSTVCT  CSEG  AT  0
        DW    RSTSTRT
        to
INITSEG  CSEG  BASE
RSTSTRT : LOCATION 0H ; or LOCATION 0FH
        MOVG SP, #STKBGN
```

3.8 General- Purpose Registers

3.8.1 Configuration

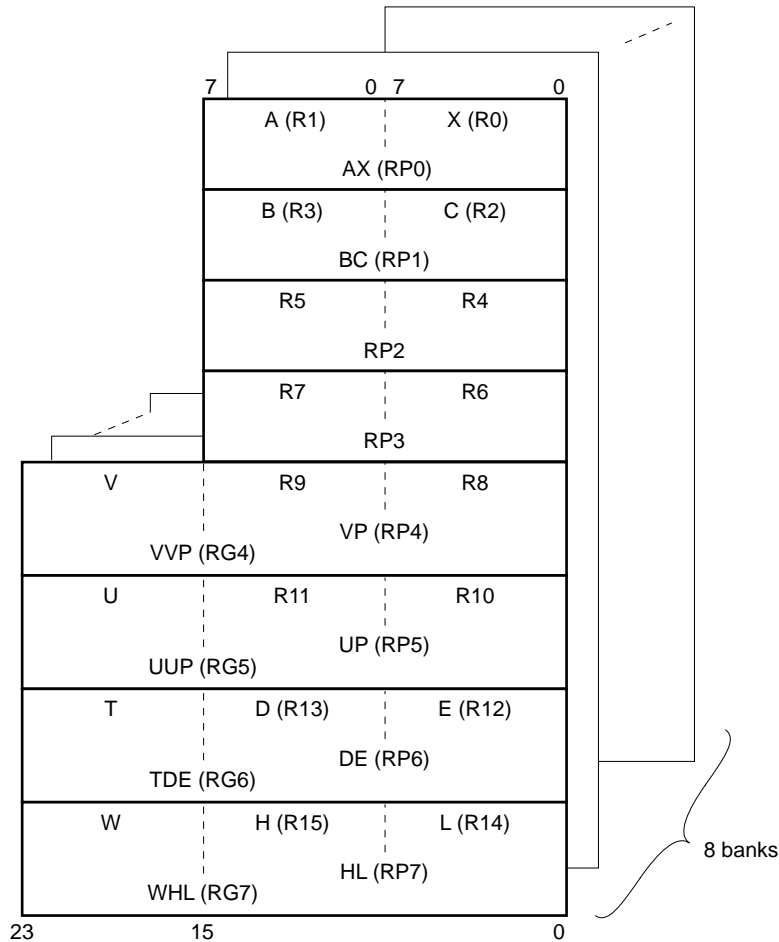
There are sixteen 8-bit general-purpose registers, and two 8-bit general-purpose registers can be used together as a 16-bit general-purpose register. In addition, four of the 16-bit general-purpose registers can be combined with an 8-bit register for address extension, and used as 24-bit address specification registers.

General-purpose registers other than the V, U, T, and W registers for address extension are mapped onto internal RAM.

These register sets are provided in 8 banks, and can be switched by means of software or the context switching function.

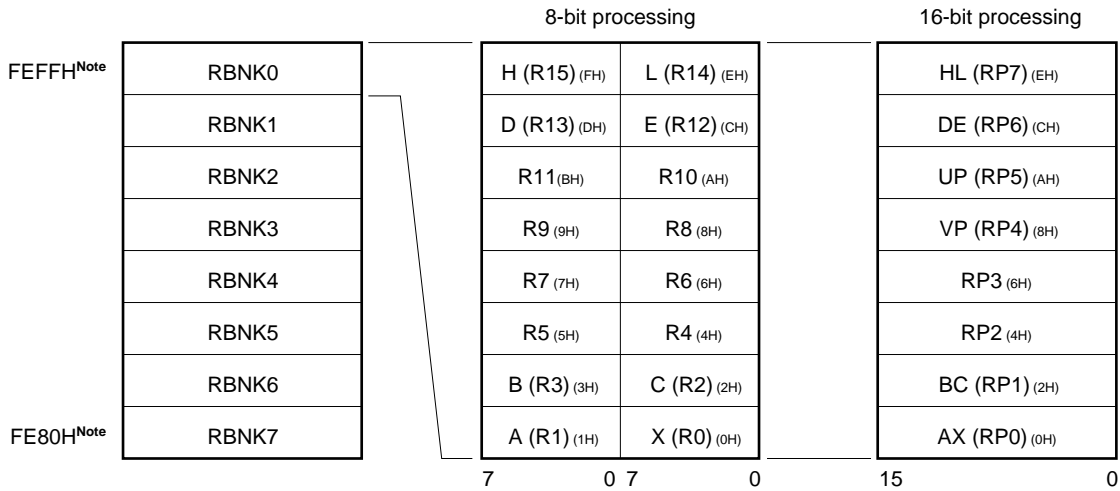
Upon $\overline{\text{RESET}}$ input, register bank 0 is selected. The register bank used during program execution can be checked by reading the register bank selection flag (RBS0, RBS1, RBS2) in the PSW.

Figure 3-12. General-Purpose Register Format



Remark Absolute names are shown in parentheses.

Figure 3-13. General-Purpose Register Addresses

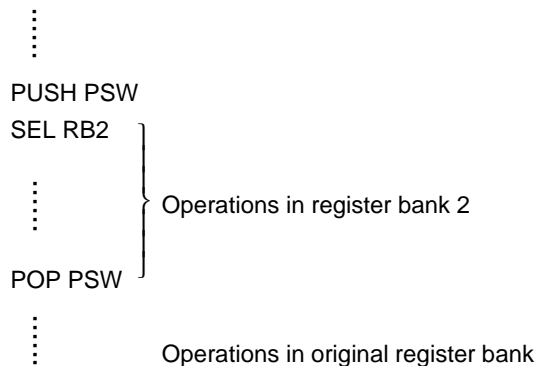


Note When the LOCATION 0 instruction is executed. When the LOCATION 0FH instruction is executed, 0F0000H should be added to the address values shown above.

Caution R4, R5, R6, R7, RP2, and RP3 can be used as the X, A, C, B, AX, and BC registers respectively by setting the RSS bit of the PSW to 1, but this function should only be used when using a 78K/III Series program.

Remark When the register bank is changed, and it is necessary to return to the original register bank, an SEL RBN instruction should be executed after saving the PSW to the stack with a PUSH PSW instruction. When returning to the original register bank, if the stack location does not change the POP PSW instruction should be used. When the register bank is changed by a vectored interrupt service program, etc., the PSW is automatically saved to the stack when an interrupt is acknowledged and restored by an RETI or RETB instruction, so that, if only one register bank is used in the interrupt service routine, only an SEL RBn instruction needs be executed, and execution of a PUSH PSW and POP PSW instruction is not necessary.

Example When register bank 2 is specified



3.8.2 Functions

In addition to being manipulated in 8-bit units, the general-purpose registers can also be manipulated in 16-bit units by pairing two 8-bit registers. Also, four of the 16-bit registers can be combined with an 8-bit register for address extension and manipulated in 24-bit units.

Each register can be used in a general-purpose way for temporary storage of an operation result and as the operand of an inter-register operation instruction.

The area from 0FE80H to 0FEFFH (when the LOCATION 0 instruction is executed; 0FFE80H to 0FFEFFH when the LOCATION 0FH instruction is executed) can be given an address specification and accessed as ordinary data memory irrespective of whether or not it is used as the general-purpose register area.

As 8 register banks are provided in the 78K/IV Series, efficient programs can be written by using different register banks for normal processing and processing in the event of an interrupt.

The registers have the following specific functions.

A (R1):

- Register mainly used for 8-bit data transfers and operation processing. Can be used in combination with all addressing modes for 8-bit data.
- Can also be used for bit data storage.
- Can be used as the register that stores the offset value in indexed addressing and based indexed addressing.

X (R0):

- Can be used for bit data storage.

AX (RP0):

- Register mainly used for 16-bit data transfers and operation processing. Can be used in combination with all addressing modes for 16-bit data.

AXDE:

- Used for 32-bit data storage when a DIVUX, MACW, or MACSW instruction is executed.

B (R3):

- Has a loop counter function, and can be used by the DBNZ instruction.
- Can be used as the register that stores the offset value in indexed addressing and based indexed addressing.
- Used as the MACW and MACSW instruction data pointer.

C (R2):

- Has a loop counter function, and can be used by the DBNZ instruction.
- Can be used as the register that stores the offset value in based indexed addressing.
- Used as the counter in a string instruction and the SACW instruction.
- Used as the MACW and MACSW instruction data pointer.

RP2:

- Used to save the low-order 16 bits of the program counter (PC) when context switching is used.

RP3:

- Used to save the high-order 4 bits of the program counter (PC) and the program status word (PSW) (excluding bits 0 to 3 of PSWH) when context switching is used.

VVP (RG4):

- Has a pointer function, and operates as the register that specifies the base address in register indirect addressing, based addressing and based indexed addressing.

UUP (RG5):

- Has a user stack pointer function, and enables a stack separate from the system stack to be implemented by means of the PUSHU and POPU instructions.
- Has a pointer function, and operates as the register that specifies the base address in register indirect addressing and based addressing.

DE (RP6), HL (RP7):

- Operate as the registers that store the offset value in indexed addressing and based indexed addressing.

TDE (RG6):

- Has a pointer function, and operates as the register that specifies the base address in register indirect addressing and based addressing.
- Used as the pointer in a string instruction and the SACW instruction.

WHL (RG7):

- Register used mainly for 24-bit data transfers and operation processing.
- Has a pointer function, and operates as the register that specifies the base address in register indirect addressing and based addressing.
- Used as the pointer in a string instruction and the SACW instruction.

In addition to the function name that emphasizes the specific function of the register (X, A, C, B, E, D, L, H, AX, BC, VP, UP, DE, HL, VVP, UUP, TDE, WHL), each register can also be described by its absolute name (R0 to R15, RP0 to RP7, RG4 to RG7). The correspondence between these names is shown in Table 3-5.

Table 3-5. Correspondence between Function Names and Absolute Names

(a) 8-bit registers

Absolute Name	Function Name	
	RSS = 0	RSS = 1 ^{Note}
R0	X	
R1	A	
R2	C	
R3	B	
R4		X
R5		A
R6		C
R7		B
R8		
R9		
R10		
R11		
R12	E	E
R13	D	D
R14	L	L
R15	H	H

(b) 16-bit registers

Absolute Name	Function Name	
	RSS = 0	RSS = 1 ^{Note}
RP0	AX	
RP1	BC	
RP2		AX
RP3		BC
RP4	VP	VP
RP5	UP	UP
RP6	DE	DE
RP7	HL	HL

(c) 24-bit registers

Absolute Name	Function Name
RG4	VVP
RG5	UUP
RG6	TDE
RG7	WHL

Note RSS should only be set to 1 when a 78K/III Series program is used.

Remark R8 to R11 have no function name.

3.9 Special Function Registers (SFR)

These are registers to which a special function is assigned, such as on-chip peripheral hardware mode registers, control registers, etc. They are mapped onto the 256-byte space from 0FF00H to 0FFFFH^{Note}.

Note When the LOCATION 0 instruction is executed. When the LOCATION 0FH instruction is executed, the area is FFF00H to FFFFFH.

Caution Addresses onto which SFRs are not assigned should not be accessed in this area. If such an address is as accessed by mistake, the μ PD784938 may become deadlocked. A deadlock can only be released by reset input.

A list of special function registers (SFRs) is given in Table 3-6. The meaning of the items in the table is as explained below.

- Symbol Symbol that indicates the incorporated SFR. This is a reserved word in the NEC assembler (RA78K4). With the C compiler (CC78K4), this symbol can be used as an sfr variable by means of a #pragma sfr command.
- R/W Indicates whether the corresponding SFR is read/write enabled.
 - R/W: Read/write enabled
 - R: Read-only
 - W: Write-only
- Manipulable Bit Units Indicates the applicable manipulation bit units when the corresponding SFR is manipulated.
 - A 16-bit-manipulable SFR can be written in the operand “sfrp”, and when specified by an address, an even address is specified.
 - A bit-manipulable SFR can be written in a bit manipulation instruction.
- After Reset Indicates the status of the register after $\overline{\text{RESET}}$ input.

Table 3-6. List of Special Function Registers (SFRs) (1/5)

Address ^{Note}	Special Function Register (SFR) Name		Symbol	R/W	Manipulable Bit Units			After Reset
					1 Bit	8 Bits	16 Bits	
0FF00H	Port 0		P0	R/W	√	√	—	Undefined
0FF01H	Port 1		P1		√	√	—	
0FF02H	Port 2		P2	R	√	√	—	
0FF03H	Port 3		P3	R/W	√	√	—	
0FF04H	Port 4		P4		√	√	—	
0FF05H	Port 5		P5		√	√	—	
0FF06H	Port 6		P6		√	√	—	
0FF07H	Port 7		P7		√	√	—	Undefined
0FF09H	Port 9		P9	√	√	—		
0FF0AH	Port 10		P10	√	√	—	Undefined	
0FF0EH		Port 0 buffer register	P0L	√	√	—		
0FF0FH	Port 0 buffer register H		P0H	√	√	—		
0FF10H	Compare register (timer/event counter 0)		CR00	—	—	√		
0FF12H	Capture/compare register (timer/event counter 0)		CR01	—	—	√		
0FF14H	Compare register L (timer/event counter 1)		CR10	CR10W	—	√		√
0FF15H	Compare register H (timer/event counter 1)		—		—	—		—
0FF16H	Capture/compare register L (timer/event counter 1)		CR11	CR11W	—	√		√
0FF17H	Capture/compare register H (timer/event counter 1)		—		—	—		—
0FF18H	Compare register L (timer/event counter 2)		CR20	CR20W	—	√		√
0FF19H	Compare register H (timer/event counter 2)		—		—	—	—	
0FF1AH	Capture/compare register L (timer/event counter 2)		CR21	CR21W	—	√	√	
0FF1BH	Capture/compare register H (timer/event counter 2)		—		—	—	—	
0FF1CH	Compare register L (timer 3)		CR30	CR30W	—	√	√	
0FF1DH	Compare register H (timer 3)		—		—	—	—	
0FF20H	Port 0 mode register		PM0	√	√	—	FFH	
0FF21H	Port 1 mode register		PM1	√	√	—		
0FF23H	Port 3 mode register		PM3	√	√	—		
0FF24H	Port 4 mode register		PM4	√	√	—		
0FF25H	Port 5 mode register		PM5	√	√	—		
0FF26H	Port 6 mode register		PM6	√	√	—		
0FF27H	Port 7 mode register		PM7	√	√	—		
0FF29H	Port 9 mode register		PM9	√	√	—		
0FF2AH	Port 10 mode register		PM10	√	√	—		
0FF2EH	Real-time output port control register		RTPC	√	√	—		00H
0FF30H	Capture/compare control register 0		CRC0	—	√	—	10H	

Note When the LOCATION 0 instruction is executed. When the LOCATION 0FH instruction is executed, "F0000H" should be added to the value shown.

Table 3-6. List of Special Function Registers (SFRs) (2/5)

Address ^{Note}	Special Function Register (SFR) Name	Symbol		R/W	Manipulable Bit Units			After Reset
					1 Bit	8 Bits	16 Bits	
0FF31H	Timer output control register	TOC		R/W	√	√	—	00H
0FF32H	Capture/compare control register 1	CRC1			—	√	—	
0FF33H	Capture/compare control register 2	CRC2			—	√	—	10H
0FF36H	Capture register (timer/event counter 0)	CR02		R	—	—	√	0000H
0FF38H	Capture register L (timer/event counter 1)	CR12	CR12W		—	√	√	
0FF39H	Capture register H (timer/event counter 1)	—			—	—	—	
0FF3AH	Capture register L (timer/event counter 2)	CR22	CR22W		—	√	√	
0FF3BH	Capture register H (timer/event counter 2)	—			—	—	—	
0FF41H	Port 1 mode control register	PMC1			R/W	√	√	
0FF43H	Port 3 mode control register	PMC3		√		√	—	
0FF4AH	Port 10 mode control register	PMC10		√		√	—	
0FF4EH	Pull-up resistor option register L	PUOL		√		√	—	
0FF4FH	Pull-up resistor option register H	PUOH		√		√	—	
0FF50H	Timer counter 0	TM0		R	—	—	√	0000H
0FF51H					—	—	—	
0FF52H	Timer counter 1	TM1	TM1W		—	√	√	
0FF53H		—			—	—	—	
0FF54H	Timer counter 2	TM2	TM2W		—	√	√	
0FF55H		—			—	—	—	
0FF56H	Timer counter 3	TM3	TM3W		—	√	√	
0FF57H		—			—	—	—	
0FF5CH	Prescaler mode register 0	PRM0		R/W	—	√	—	11H
0FF5DH	Timer control register 0	TMC0			√	√	—	00H
0FF5EH	Prescaler mode register 1	PRM1W			—	√	—	11H
0FF5FH	Timer control register 1	TMC1			√	√	—	00H
0FF68H	A/D converter mode register	ADM			√	√	—	
0FF6AH	A/D conversion result register	ADCR			R	—	√	—
0FF6CH	A/D current cut select register	IEAD		R/W	√	√	—	00H
0FF6FH	Watch timer mode register	WM			√	√	—	
0FF70H	PWM control register	PWMC			√	√	—	05H
0FF71H	PWM prescaler register	PWPR			—	√	—	00H
0FF72H	PWM modulo register 0	PWM0		—	—	√	Undefined	
0FF74H	PWM modulo register 1	PWM1		—	—	√		
0FF78H	ROM correction control register	CORC		√	√	—	00H	
0FF79H	ROM correction address register H	CORAH		—	√	—		
0FF7AH	ROM correction address register L	CORAL		—	—	√	0000H	

Note When the LOCATION 0 instruction is executed. When the LOCATION 0FH instruction is executed, "F0000H" should be added to the value shown.

Table 3-6. List of Special Function Registers (SFRs) (3/5)

Address ^{Note}	Special Function Register (SFR) Name	Symbol		R/W	Manipulable Bit Units			After Reset		
					1 Bit	8 Bits	16 Bits			
0FF7DH	One-shot pulse output control register	OSPC		R/W	√	√	—	00H		
0FF80H	Clocked serial interface mode register 3	CSIM3			√	√	—			
0FF82H	Clocked serial interface mode register	CSIM			√	√	—			
0FF84H	Clocked serial interface mode register 1	CSIM1			√	√	—			
0FF85H	Clocked serial interface mode register 2	CSIM2			√	√	—			
0FF86H	Serial shift register	SIO			—	√	—		Undefined	
0FF88H	Asynchronous serial interface mode register	ASIM		R	√	√	—	00H		
0FF89H	Asynchronous serial interface mode register 2	ASIM2			√	√	—			
0FF8AH	Asynchronous serial interface status register	ASIS		R/W	√	√	—	Undefined		
0FF8BH	Asynchronous serial interface status register 2	ASIS2			√	√	—			
0FF8CH	Serial receive buffer: UART0	RXB			—	√	—			
	Serial transmit shift register: UART0	TXS		W	—	√	—			
	Serial shift register: IOE1	SIO1		R/W	—	√	—			
0FF8DH	Serial receive buffer: UART2	RXB2		R	—	√	—	Undefined		
	Serial transmit shift register: UART2	TXS2		W	—	√	—			
	Serial shift register: IOE2	SIO2		R/W	—	√	—			
0FF8EH	Serial shift register: IOE3	SIO3		R	—	√	—	00H		
0FF90H	Baud rate generator control register	BRGC		—	√	—				
0FF91H	Baud rate generator control register 2	BRGC2		—	√	—				
0FFA0H	External interrupt mode register 0	INTM0		√	√	—				
0FFA1H	External interrupt mode register 1	INTM1		√	√	—				
0FFA4H	Sampling clock selection register	SCS0		—	√	—				
0FFA8H	In-service priority register	ISPR		R	√	√	—	80H		
0FFAAH	Interrupt mode control register	IMC		R/W	√	√	—			
0FFACH	Interrupt mask register 0L	MK0L	MK0	R/W	√	√	√	FFFFH		
0FFADH	Interrupt mask register 0H	MK0H			√	√	—			
0FFAEH	Interrupt mask register 1L	MK1L	MK1		√	√	√			
0FFAFH	Interrupt mask register 1H	MK1H			√	√	—			
0FFB0H	Bus control register	BCR			√	√	—		00H	
0FFB2H	Unit address register	UAR			—	—	√		0000H	
0FFB4H	Slave address register	SAR			—	—	√			
0FFB6H	Partner address register	PAR			R	—	—		√	01H
0FFB8H	Control data register	CDR			R/W	—	√		—	
0FFB9H	Telegraph length register	DLR			—	√	—			
0FFBAH	Data register	DR		—	√	—	00H			
0FFBBH	Unit status register	USR		R	√	√	—	00H		
0FFBCH	Interrupt status register	ISR		R/W	√	√	—			

Note When the LOCATION 0 instruction is executed. When the LOCATION 0FH instruction is executed, "F0000H" should be added to the value shown.

Table 3-6. List of Special Function Registers (SFRs) (4/5)

Address ^{Note 1}	Special Function Register (SFR) Name	Symbol	R/W	Manipulable Bit Units			After Reset
				1 Bit	8 Bits	16 Bits	
0FFBDH	Slave status register	SSR	R	√	√	—	41H
0FFBEH	Success count register	SCR		—	√	—	01H
0FFBFH	Communication count register	CCR		—	√	—	20H
0FFC0H	Standby control register	STBC	R/W	—	√ ^{Note 2}	—	30H
0FFC2H	Watchdog timer mode register	WDM		—	√ ^{Note 2}	—	00H
0FFC4H	Memory expansion mode register	MM		√	√	—	20H
0FFC5H	Hold mode register	HLDM		√	√	—	00H
0FFC6H	Clock output mode register	CLOM		√	√	—	
0FFC7H	Programmable wait control register 1	PWC1		—	√	—	AAH
0FFC8H	Programmable wait control register 2	PWC2		—	—	√	AAAAH
0FFCCH	Refresh mode register	RFM		√	√	—	00H
0FFCDH	Refresh area specification register	RFA		√	√	—	
0FFCFH	Oscillation stabilization time specification register	OSTS		—	√	—	
0FFD0H to 0FFDFH	External SFR area	—		√	√	—	—
0FFE0H	Interrupt control register (INTP0)	PIC0		√	√	—	43H
0FFE1H	Interrupt control register (INTP1)	PIC1		√	√	—	
0FFE2H	Interrupt control register (INTP2)	PIC2		√	√	—	
0FFE3H	Interrupt control register (INTP3)	PIC3		√	√	—	
0FFE4H	Interrupt control register (INTC00)	CIC00	√	√	—		
0FFE5H	Interrupt control register (INTC01)	CIC01	√	√	—		
0FFE6H	Interrupt control register (INTC10)	CIC10	√	√	—		
0FFE7H	Interrupt control register (INTC11)	CIC11	√	√	—		
0FFE8H	Interrupt control register (INTC20)	CIC20	√	√	—		
0FFE9H	Interrupt control register (INTC21)	CIC21	√	√	—		
0FFEAH	Interrupt control register (INTC30)	CIC30	√	√	—		
0FFEBH	Interrupt control register (INTP4)	PIC4	√	√	—		
0FFECH	Interrupt control register (INTP5)	PIC5	√	√	—		
0FFEDH	Interrupt control register (INTAD)	ADIC	√	√	—		
0FFEEH	Interrupt control register (INTSER)	SERIC	√	√	—		
0FFEFH	Interrupt control register (INTSR)	SRIC	√	√	—		
	Interrupt control register (INTCS1)	CSIIC1	√	√	—		
0FFF0H	Interrupt control register (INTST)	STIC	√	√	—		
0FFF1H	Interrupt control register (INTCSI)	CSIIC	√	√	—		
0FFF2H	Interrupt control register (INTSER2)	SERIC2	√	√	—		

- Notes**
1. When the LOCATION 0 instruction is executed. When the LOCATION 0FH instruction is executed, “F0000H” should be added to the value shown.
 2. The write operation is possible by using the dedicated instruction “MOV STBC, #byte” or “MOV WDM, #byte” only. Instructions other than these cannot perform the write operation.

Table 3-6. List of Special Function Registers (SFRs) (5/5)

Address ^{Note 1}	Special Function Register (SFR) Name	Symbol	R/W	Manipulable Bit Units			After Reset
				1 Bit	8 Bits	16 Bits	
0FFF3H	Interrupt control register (INTSR2)	SRIC2	R/W	√	√	—	43H
	Interrupt control register (INTCSI2)	CSIIC2		√	√	—	
0FFF4H	Interrupt control register (INTST2)	STIC2		√	√	—	
0FFF6H	Interrupt control register (INTIE1)	IEIC1		√	√	—	
0FFF7H	Interrupt control register (INTIE2)	IEIC2		√	√	—	
0FFF8H	Interrupt control register (INTW)	WIC		√	√	—	
0FFF9H	Interrupt control register (INTCSI3)	CSIIC3		√	√	—	
0FFFCH	Internal memory size switching register ^{Note 2}	IMS		—	√	—	

- Notes**
1. When the LOCATION 0 instruction is executed. When the LOCATION 0FH instruction is executed, “F0000H” should be added to the value shown.
 2. Writes to this register are only meaningful in the case of the μ PD78F4938.

3.10 Cautions

(1) Program fetches cannot be performed from the internal high-speed RAM area (0FD00H to 0FEFFH when the LOCATION 0 instruction is executed; FFD00H to FFEFFH when the LOCATION 0FH instruction is executed).

(2) Special function registers (SFRs)

Addresses onto which SFRs are not assigned should not be accessed in the area 0FF00H to 0FFFFH^{Note}. If such an address is accessed by mistake, the μ PD784938 may become deadlocked. A deadlock can only be released by reset input.

Note When the LOCATION 0 instruction is executed; FFF00H to FFFFFH when the LOCATION 0FH instruction is executed.

(3) Stack pointer (SP) operation

With stack addressing, the entire 1-Mbyte space can be accessed, but a stack area cannot be reserved in the SFR area or internal ROM area.

(4) Stack pointer (SP) initialization

The SP is undefined after $\overline{\text{RESET}}$ input, while non-maskable interrupts can be acknowledged directly after reset release. Therefore, an unforeseen operation may be performed if a non-maskable interrupt request is generated while the SP is in the undefined state directly after reset release. To minimize this risk, the following program should be coded without fail after reset release.

```
RSTVCT   CSEG   AT 0
          DW     RSTSTRT
          to
INITSEG   CSEG   BASE
RSTSTRT : LOCATION 0H ; or LOCATION 0FH
          MOVG  SP, #STKBGN
```

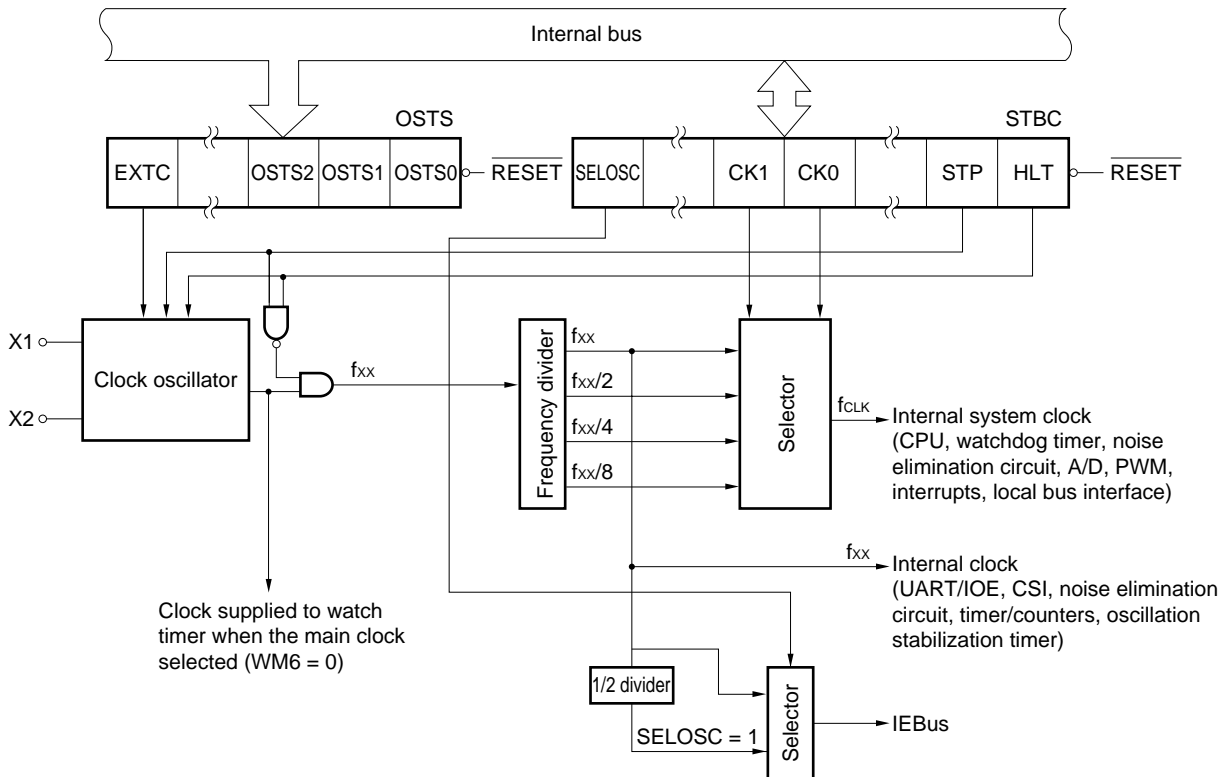
[MEMO]

CHAPTER 4 CLOCK GENERATOR

4.1 Configuration and Function

The clock generator generates and controls the internal clock and internal system clock supplied to the CPU and on-chip hardware. The clock generator block diagram is shown in Figure 4-1.

Figure 4-1. Clock Generator Block Diagram



Remark f_{xx} : Crystal/ceramic oscillation frequency or internal clock frequency
 f_{CLK} : Internal system clock frequency

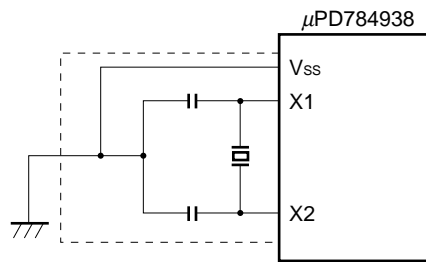
The clock oscillator oscillates by means of a crystal resonator/ceramic resonator connected to the X1 and X2 pins. When standby mode (STOP) is set, oscillation stops (see **CHAPTER 25 STANDBY FUNCTION**).

It is also possible to input an external clock. In this case, the clock signal is input to the X1 pin, and the inverse phase signal to the X2 pin.

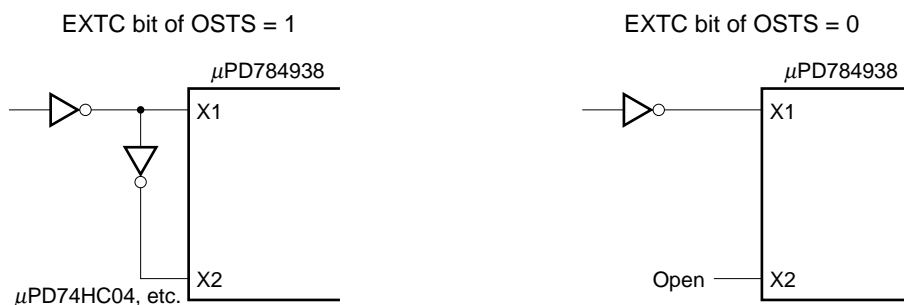
The frequency divider generates an internal system clock by 1/1, 1/2, 1/4, or 1/8 scaling of the clock oscillator output (f_{xx}) according to the setting of the standby control register (STBC).

Figure 4-2. Clock Oscillator External Circuitry

(a) Crystal/ceramic oscillation



(b) External clock



- Cautions 1.** The oscillator should be as close as possible to the X1 and X2 pins.
- 2.** No other signal lines should pass through the area enclosed by the dotted line.

Remark Differences between crystal resonator and ceramic resonator
 Generally speaking, the oscillation frequency of a crystal resonator is extremely stable. It is therefore ideal for performing high-precision time management (in clocks, frequency meters, etc.).
 A ceramic resonator is inferior to a crystal resonator in terms of oscillation frequency stability, but it has three advantages: a fast oscillation start-up time, small size, and low price. It is therefore suitable for general use (when high-precision time management is not required). In addition, there are products with a built-in capacitor, etc., which enable the number of parts and mounting area to be reduced.

4.2 Control Registers

4.2.1 Standby control register (STBC)

STBC is a register used to set the standby mode and select the internal system clock. See **CHAPTER 25 STANDBY FUNCTION** for details of the standby modes.

To prevent erroneous entry into standby mode due to an inadvertent program loop, the STBC register can only be written to by a dedicated instruction. This instruction is the MOV STBC, #byte instruction, and has a special code configuration (4 bytes). A write is only performed if the 3rd and 4th bytes of the op code are mutual complements. If the 3rd and 4th bytes of the op code are not mutual complements, a write is not performed, and an operand error interrupt is generated. In this case, the return address saved in the stack area is the address of the instruction which is the source of the error. The error source address can thus be found from the return address saved on the stack area.

An endless loop will result if restore from an operand error is simply performed with an RETB instruction.

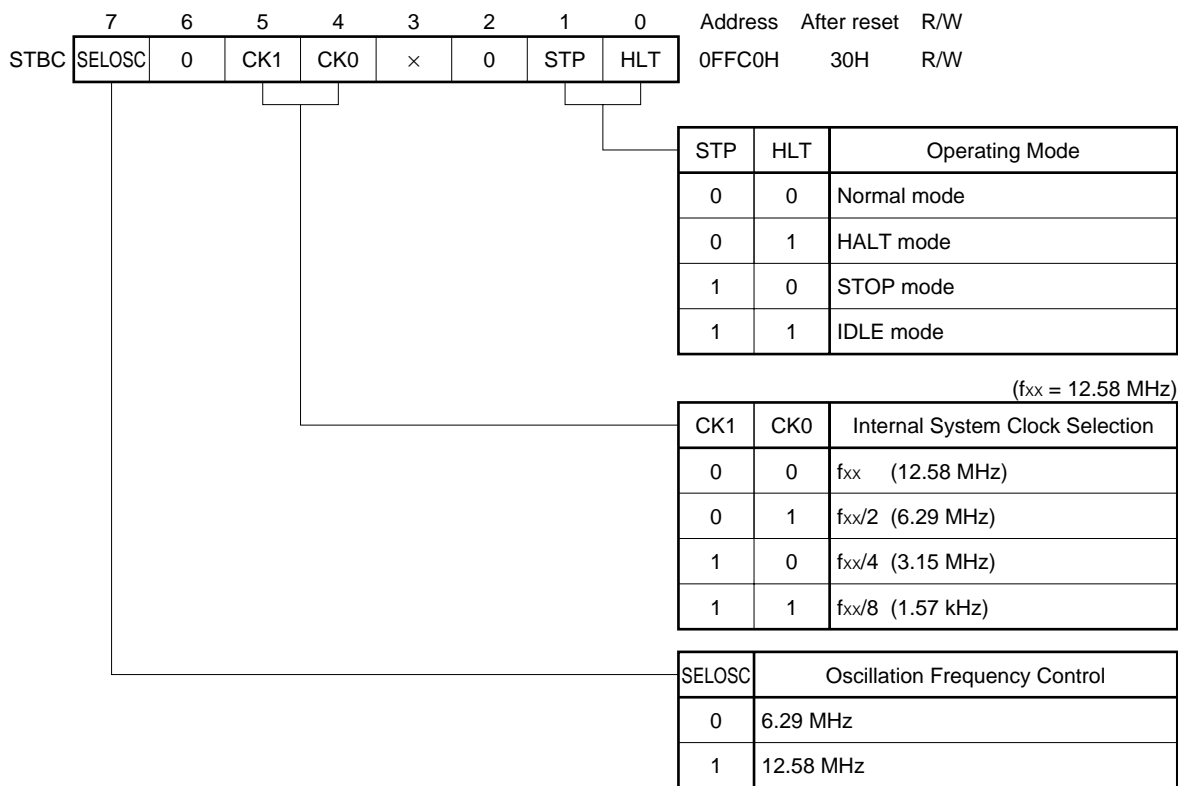
Because the operand error interrupt occurs only when the program hangs up (only the correct dedicated instruction is generated with the NEC's assembler RA78K4 when MOV STBC, #byte is described), make sure that the operand error interrupt processing program initializes the system.

Other write instructions ("MOV STBC, A", "AND STBC, #byte", "SET1 STBC.7", etc.) are ignored, and no operation is performed. That is, a write is not performed on the STBC, and an interrupt such as an operand error interrupt is not generated. STBC can be read at any time with a data transfer instruction.

$\overline{\text{RESET}}$ input sets STBC to 30H.

The format of STBC is shown in Figure 4-3.

Figure 4-3. Standby Control Register (STBC) Format



- Cautions 1. Overwrite the SELOSC bit after performing the following settings.**
- Stop the IEBus (Set bit 7 of the bus control register (BCR) to “0”).
 - If the watch Timer is operated with the main clock selected, stop the watch timer (Set bit 3 of the watch timer mode register (WM) to “0”).
- 2. If the above settings are not performed, the IEBus and watch timer may perform incorrectly.**

4.2.2 Oscillation stabilization time specification register (OSTS)

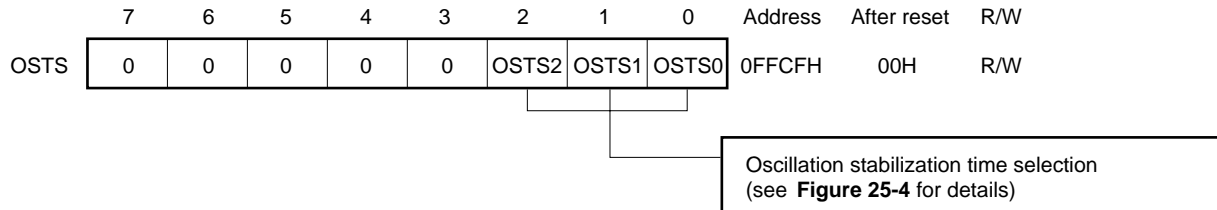
OSTS is a register used to select the oscillation stabilization time.

OSTS can be written to only by an 8-bit transfer instruction.

$\overline{\text{RESET}}$ input clears OSTS to 00H.

The format of OSTS is shown in Figure 4-4.

Figure 4-4. Oscillation Stabilization Time Specification Register (OSTS) Format



Caution When using the regulator (refer to **CHAPTER 5 REGULATOR**), set a value of at least 10.4 ms, taking in consideration the regulator output stabilization time.

4.3 Clock Generator Operation

4.3.1 Clock oscillator

(1) When using crystal/ceramic oscillation

The clock oscillator starts oscillating when the $\overline{\text{RESET}}$ signal is input, and stops oscillation when the STOP mode is set by the standby control register (STBC). Oscillation is resumed when the STOP mode is released.

(2) When using external clock

The clock oscillator supplies the clock input from the X1 pin to the internal circuitry when the $\overline{\text{RESET}}$ signal is input.

4.3.2 Divider

The divider performs 1/1, 1/2, 1/4, or 1/8 scaling of the clock oscillator output, and supplies the resulting clock to the CPU, watchdog timer, noise elimination circuit, clocked serial interface (CSI), A/D converter, PWM, interrupt control circuit, and local bus interface. The division ratio is specified by the CK0 and CK1 bits of the standby control register (STBC).

Controlling the division ratio to match the speed required by the CPU enables the overall power consumption to be reduced. Also, the operating speed can be selected to match the supply voltage.

When $\overline{\text{RESET}}$ is input, the lowest speed (1/8) is selected.

If the division ratio of the divider circuit is changed, the maximum time shown in Table 4-1 is required to change the division ratio, depending on the clock selected before change.

Instruction execution continues even while the division ratio is changed, and the clock is supplied with the previous division ratio until the division ratio has been completely changed.

Table 4-1. Time Required to Change Division Ratio

Previous Division Ratio	Maximum Time Required for Change
None	$11/f_{xx}$
1/2	$12/f_{xx}$
1/4	$8/f_{xx}$
1/8	$8/f_{xx}$

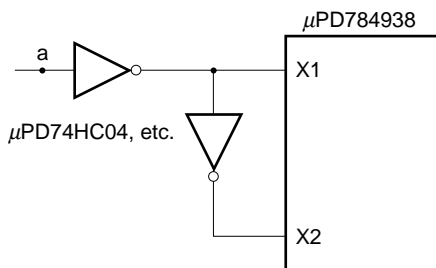
4.4 Cautions

The following cautions apply to the clock generator.

4.4.1 When an external clock is input

- (1) When an external clock is input, this should be performed with a HCMOS device, or a device with the equivalent drive capability.
- (2) A signal should not be extracted from the X1 and X2 pins. If a signal is extracted, it should be extracted from point a in Figure 4-5.

Figure 4-5. Signal Extraction with External Clock Input



- (3) The wiring connecting the X1 pin to the X2 pin via an inverter, in particular, should be made as short as possible.

4.4.2 When crystal/ceramic oscillation is used

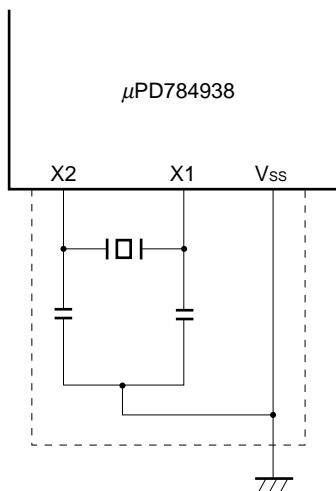
(1) As the oscillator is a high-frequency analog circuit, considerable care is required.

The following points, in particular, require attention.

- Keep the wiring length as short as possible.
- Do not cross the wiring with the other signal lines.
- Do not route the wiring near a signal line through which a high fluctuating current flows.
- Always make the ground point of the oscillator capacitor the same potential as V_{SS} . Do not ground the capacitor to a ground pattern through which a high current flows.
- Do not fetch signals from the oscillator.

If oscillation is not performed normally and stably, the microcontroller will not be able to operate normally and stably, either. Also, if a high-precision oscillation frequency is required, consultation with the oscillator manufacturer is recommended.

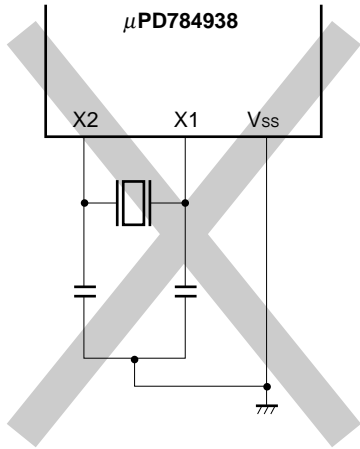
Figure 4-6. Cautions on Resonator Connection



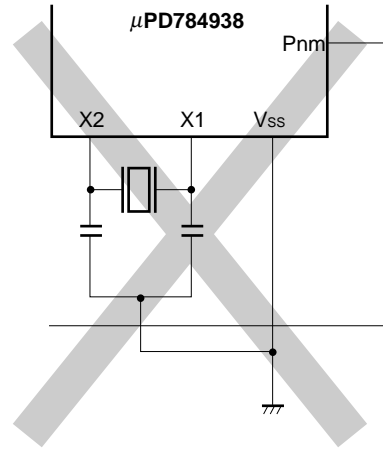
- Cautions 1. The oscillator should be as close as possible to the X1 and X2 pins.**
2. No other signal lines should pass through the area enclosed by the broken lines.

Figure 4-7. Incorrect Example of Resonator Connection

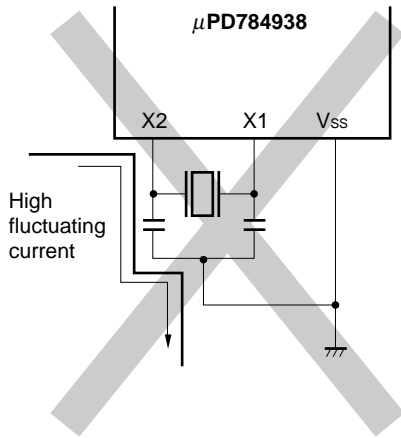
(a) Wiring of connected circuits is too long



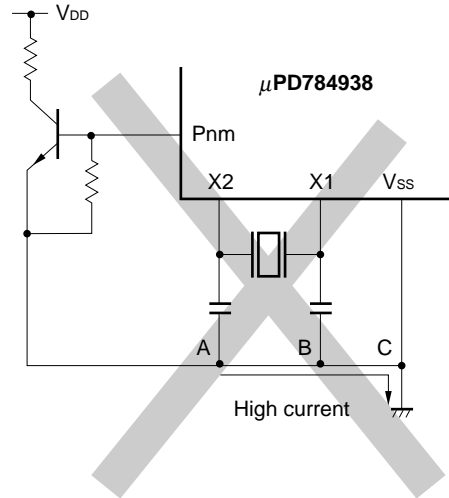
(b) Crossed signal lines



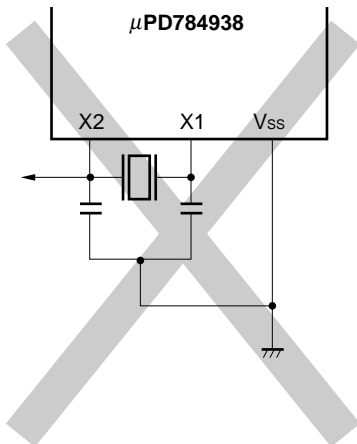
(c) Wiring near high fluctuating current



(d) Current flowing through ground line of oscillator
(Potentials at points A, B, and C fluctuate)



(e) Signal extracted



- (2) When the device is powered on, and when restoring from the STOP mode, sufficient time must be allowed for the oscillation to stabilize. Generally speaking, the time required for oscillation stabilization is several milliseconds when a crystal resonator is used, and several hundred microseconds when a ceramic resonator is used.

An adequate oscillation stabilization period should be secured by the following means:

<1> When powered-on: $\overline{\text{RESET}}$ input (reset period)

<2> When returning from STOP mode:

(i) $\overline{\text{RESET}}$ input (reset period)

(ii) Time of the oscillation stabilization timer that automatically starts at the valid edge of NMI, INTP4, or INTP5 signal^{Note} (set by the oscillation stabilization time specification register (OSTS))

Note For INTP4 and INTP5, when masking is released and macro service is disabled.

CHAPTER 5 REGULATOR

5.1 Outline of Regulator

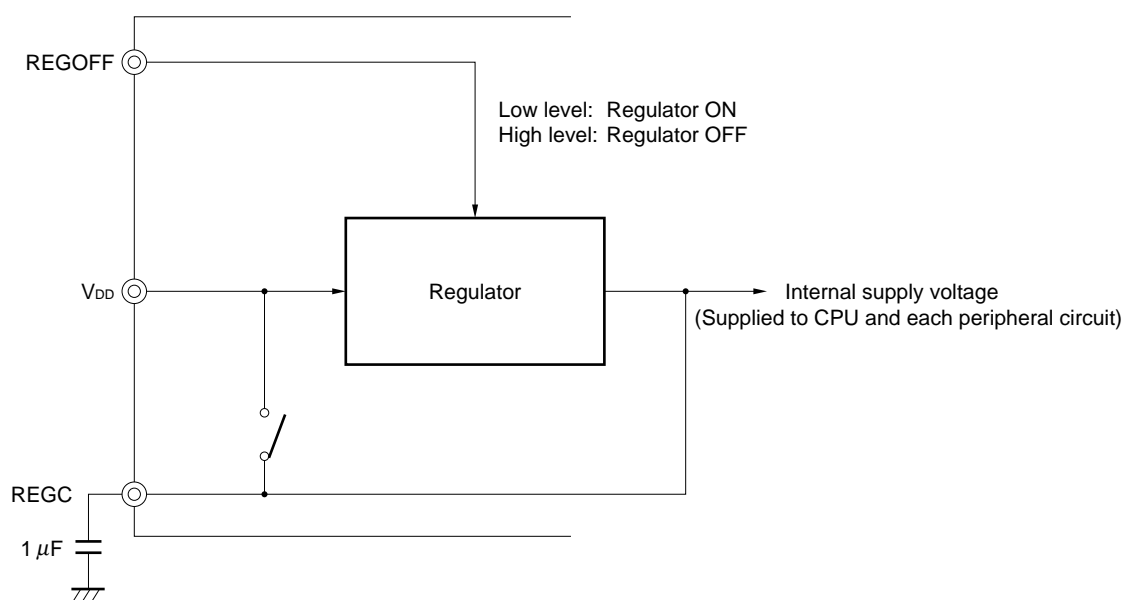
The μ PD784938 has a regulator that reduces the power consumption of the device (a circuit for low voltage operation). The operation of this regulator is controlled by the input level of the REGOFF pin. When the REGOFF pin is made high, the regulator is turned OFF; when it is made low, the regulator is turned ON.

When the regulator is turned ON, it enables to reduce the power consumption.

To stabilize the output voltage of the regulator, connect a capacitor for stabilizing the regulator (approximately 1 μ F) to the REGC pin.

Apply the same level as V_{DD} to the REGC pin when the regulator is stopped. Figure 5-1 shows the block diagram of the peripherals of the regulator.

Figure 5-1. Regulator Peripherals Block Diagram



- Processing of REGC pin

Regulator ON	Connects capacitance for regulator stabilization
Regulator OFF	Supplies power supply voltage

Caution For the oscillation stabilization time when the stop mode is released, set a value of at least 10.4 ms with the oscillation stabilization time specification register (OSTS), taking in consideration the regulator output oscillation stabilization time. (refer to CHAPTER 25 STANDBY FUNCTION.)

[MEMO]

CHAPTER 6 PORT FUNCTIONS

6.1 Digital Input/Output Ports

The μ PD784938 is provided with the ports shown in Figure 6-1, enabling various kinds of control to be performed. The function of each port is shown in Table 6-1. For ports 0 to 6, port 9, and port 10, use of an on-chip pull-up resistor can be specified by software when used as input ports.

Figure 6-1. Port Configuration

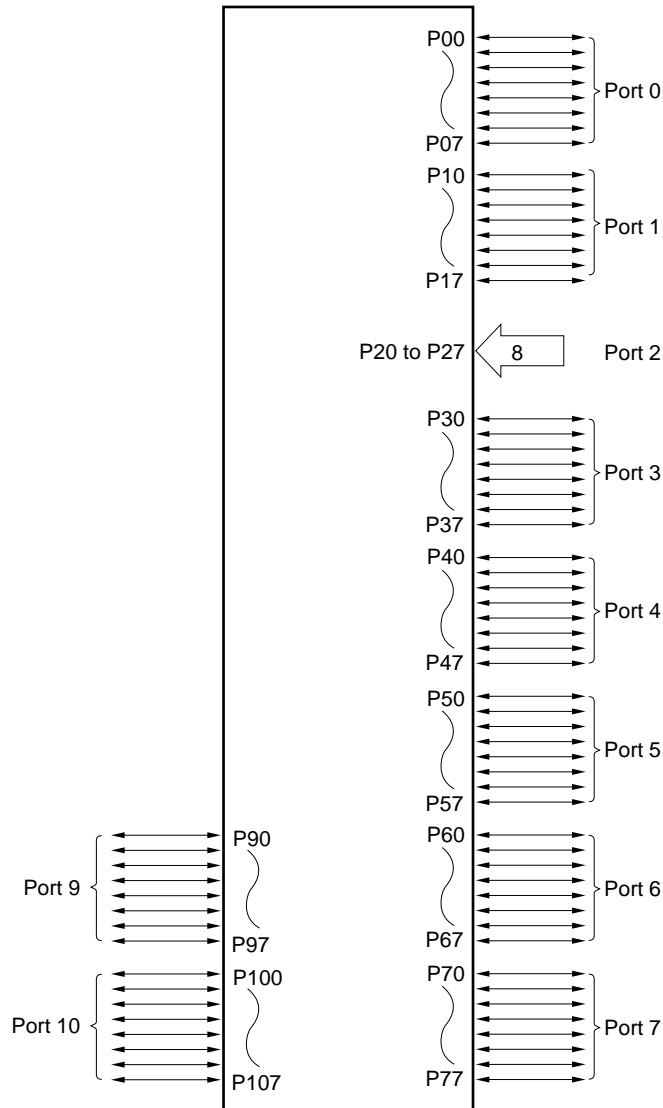


Table 6-1. Port Functions

Port Name	Pin Names	Functions	Software Pull-Up Specification
Port 0	P00 to P07	<ul style="list-style-type: none"> Input/output can be specified in 1-bit units. Can also operate as 4-bit real-time output ports (P00 to P03, P04 to P07). Can drive a transistor. 	Input mode pins specified at once
Port 1	P10 to P17	<ul style="list-style-type: none"> Input/output can be specified in 1-bit units. LED drive capability. 	
Port 2	P20 to P27	<ul style="list-style-type: none"> Input port 	6-bit unit (P22 to P27)
Port 3	P30 to P37	<ul style="list-style-type: none"> Input/output can be specified in 1-bit units. P32/SCK0 pin and P33/SO0 pin can be set in N-ch open-drain mode. 	Input mode pins specified at once
Port 4	P40 to P47	<ul style="list-style-type: none"> Input/output can be specified in 1-bit units. Can drive an LED. 	
Port 5	P50 to P57	<ul style="list-style-type: none"> Input/output can be specified in 1-bit units. LED drive capability. 	
Port 6	P60 to P67	<ul style="list-style-type: none"> Input/output can be specified in 1-bit units. 	
Port 7	P70 to P77	<ul style="list-style-type: none"> Input/output can be specified in 1-bit units. 	—
Port 9	P90 to P97	<ul style="list-style-type: none"> Input/output can be specified in 1-bit units. 	Input mode pin specified at once
Port 10	P100 to P107	<ul style="list-style-type: none"> Input/output can be specified in 1-bit units. P105/SCK3 pin and P107/SO3 pin can be set in N-ch open-drain mode. 	

Table 6-2. Number of Input/Output Ports

Input/Output Ports	Total	Input Mode	Output Mode	
		Software Pull-Up Resistor	Direct LED Drive	Direct Transistor Drive
Input ports	8	6	—	—
Input/output ports	72	64	24	0
Output ports	0	—	0	8
Total	80	70	24	8

6.2 Port 0

Port 0 is an 8-bit input/output port with an output latch, and has direct transistor drive capability. Input/output can be specified in 1-bit units by means of the port 0 mode register (PM0). Each pin incorporates a software programmable pull-up resistor.

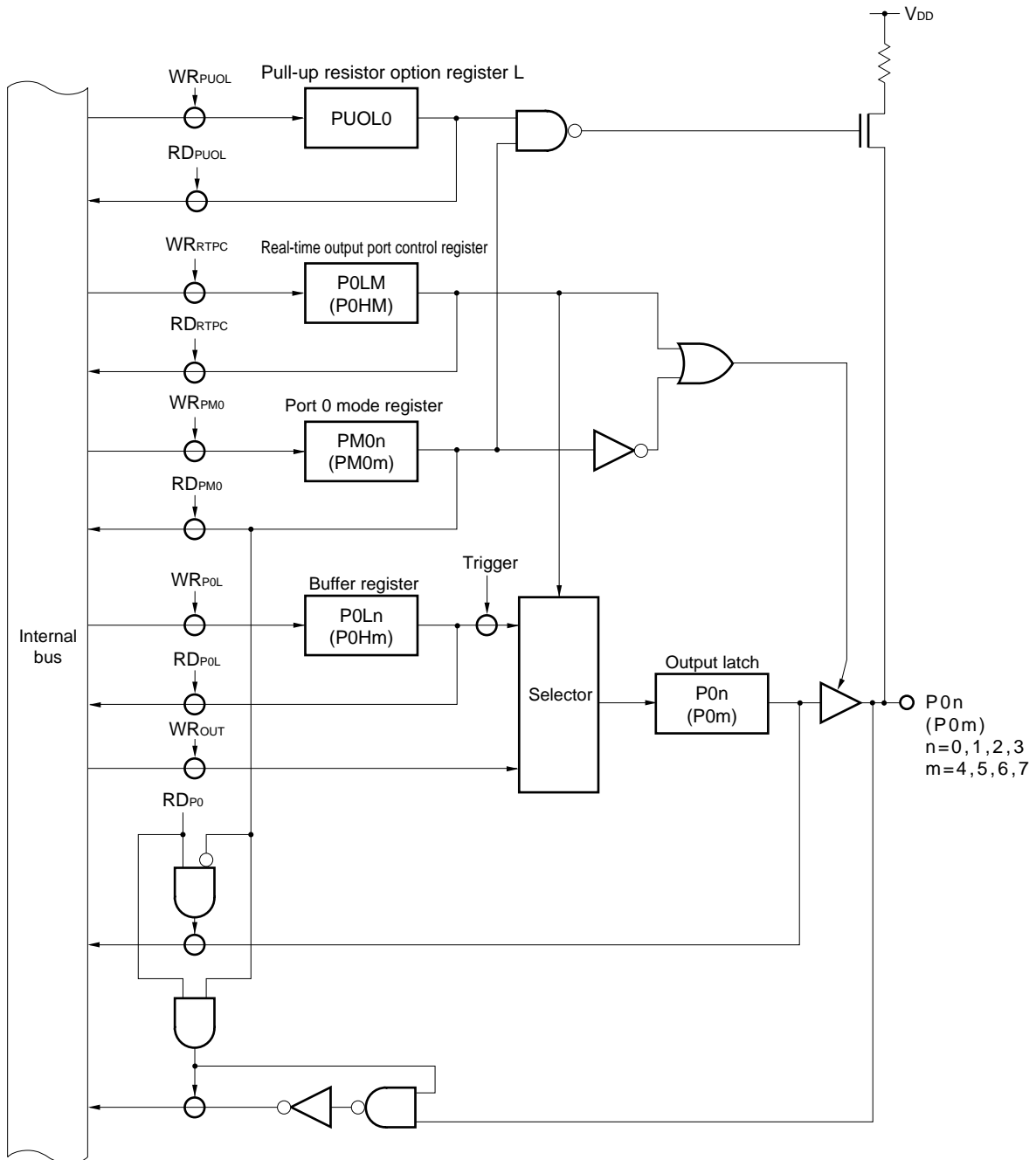
P00 to P03 and P04 to P07 can output the buffer register (P0L, P0H) contents at any time interval as 4-bit real-time output ports or one 8-bit real-time output port. The real-time output port control register (RTPC) is used to select whether this port is used as a normal output port or a real-time output port.

When $\overline{\text{RESET}}$ is input, port 0 is set as an input port (output high-impedance state), and the output latch contents are undefined.

6.2.1 Hardware configuration

The port 0 hardware configuration is shown in Figure 6-2.

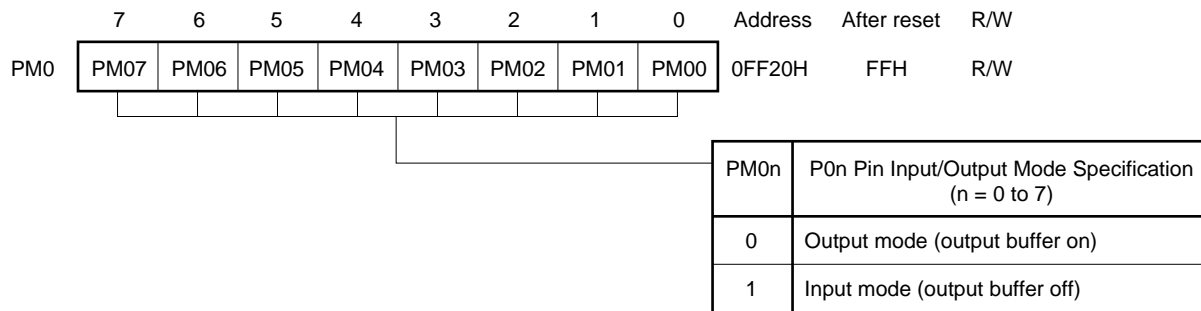
Figure 6-2. Port 0 Block Diagram



6.2.2 I/O mode/control mode setting

The port 0 input/output mode is set by means of the port 0 mode register (PM0) as shown in Figure 6-3.

Figure 6-3. Port 0 Mode Register (PM0) Format



When port 0 is used as a real-time output port, the P0LM and P0HM bits of the real-time output port control register (RTPC) should be set (to 1).

When P0LM and P0HM are set, the respective pin output buffer is turned on and the output latch contents are output to the pin irrespective of the contents of PM0.

6.2.3 Operating status

Port 0 is an input/output port.

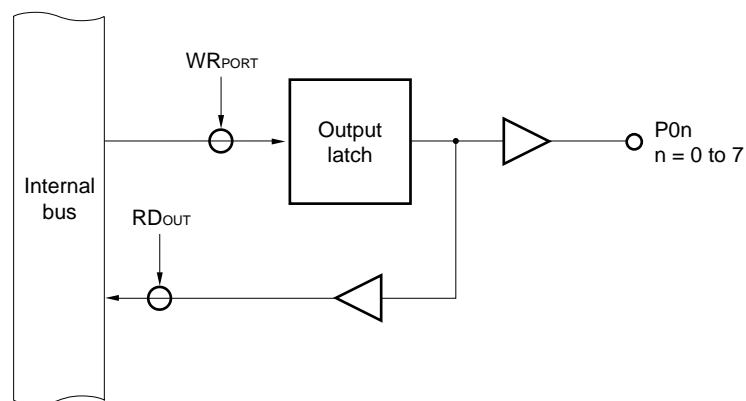
(1) When set as an output port

The output latch is enabled, and data transfers between the output latch and accumulator are performed by means of transfer instructions. The output latch contents can be freely set by means of logical operation instructions. Once data has been written to the output latch, it is retained until data is next written to the output latch^{Note}.

Writes cannot be performed to the output latch of a port specified as a real-time output port. However, the output latch contents can be read even if it is set to the real-time output port mode.

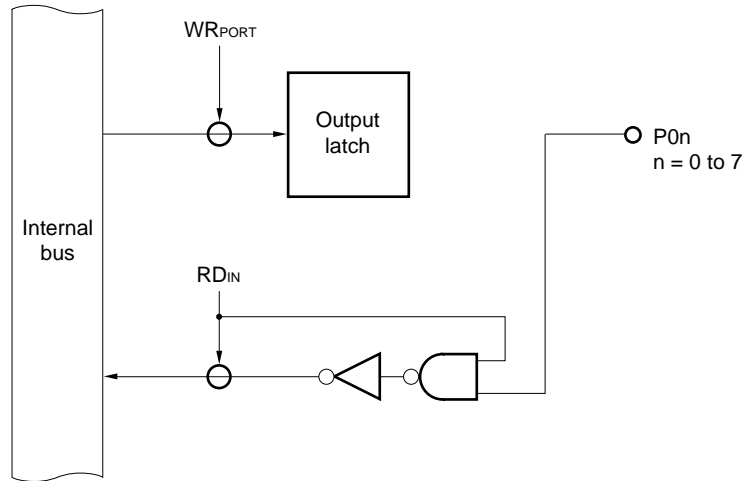
Note Including the case where another bit of the same port is manipulated by a bit manipulation instruction.

Figure 6-4. Port Specified as Output Port



(2) When set as an input port

The port pin level can be loaded into an accumulator by means of a transfer instruction, etc. In this case, too, writes can be performed to the output latch, and data transferred from the accumulator by a transfer instruction, etc., is stored in all output latches irrespective of the port input/output specification. However, since the output buffer of a bit specified as an input port is high-impedance, the data is not output to the port pin (when a bit specified as input is switched to an output port, the output latch contents are output to the port pin). Also, the contents of the output latch of a bit specified as an input port cannot be loaded into an accumulator.

Figure 6-5. Port Specified as Input Port

Caution A bit manipulation instruction manipulates one bit as the result, but accesses the port in 8-bit units. Therefore, if a bit manipulation instruction is used on a port with a mixture of input and output pins, the contents of the output latch of pins specified as inputs will be undefined (excluding bits manipulated with a SET1 or CLR1 instruction, etc.). Particular care is required when there are bits which are switched between input and output.

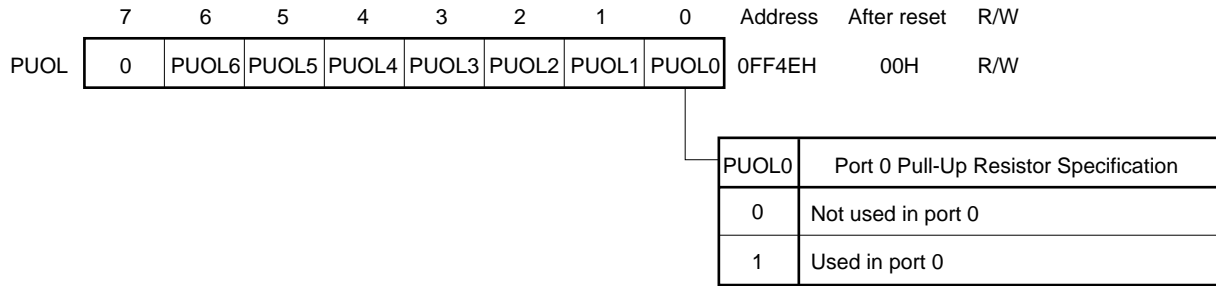
Caution is also required when manipulating the port with other 8-bit arithmetic instructions.

6.2.4 On-chip pull-up resistors

Port 0 incorporates pull-up resistors. Use of these internal resistors when pull-up is necessary enables the number of parts and the mounting area to be reduced.

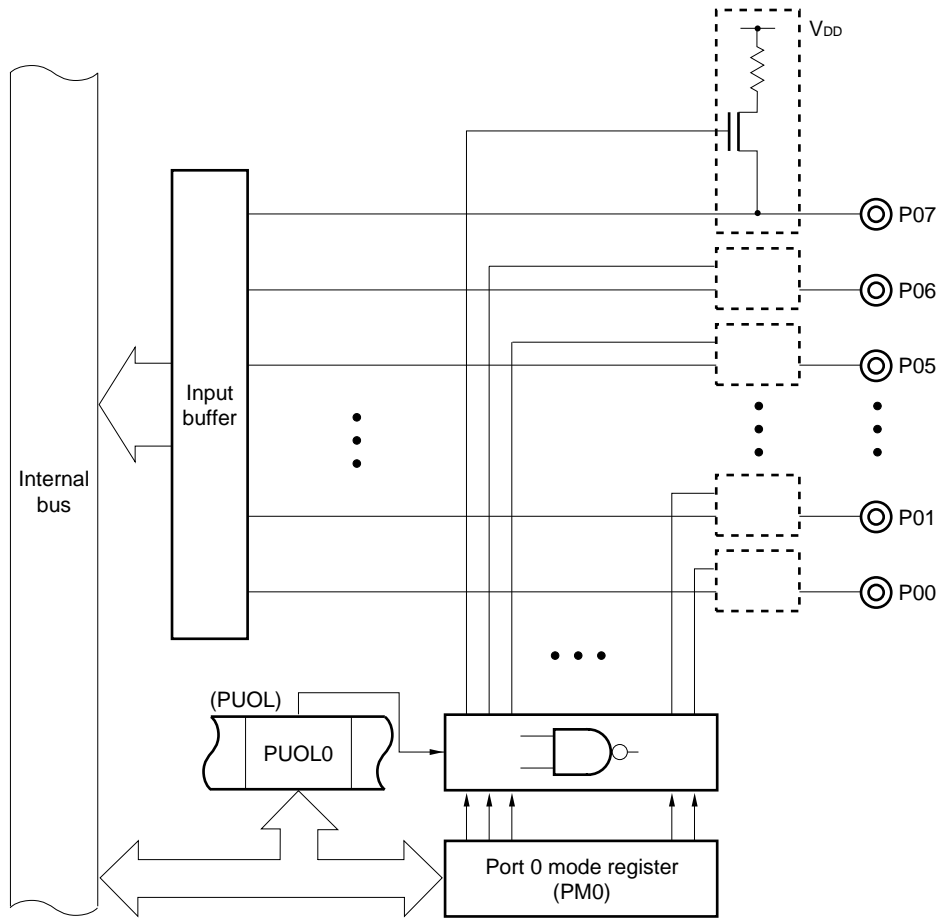
Whether or not an on-chip pull-up resistor is to be used can be specified for each pin by means of the PUOL0 bit of the pull-up resistor option register L (PUOL) and the port 0 mode register (PM0). When PUOL0 is 1, the on-chip pull-up resistors of the pins for which input is specified by PM0 are enabled (PM0n = 1, n = 0 to 7).

Figure 6-6. Pull-Up Resistor Option Register L (PUOL) Format



Remark When STOP mode is entered, setting PUOL to 00H is effective for reducing the current consumption.

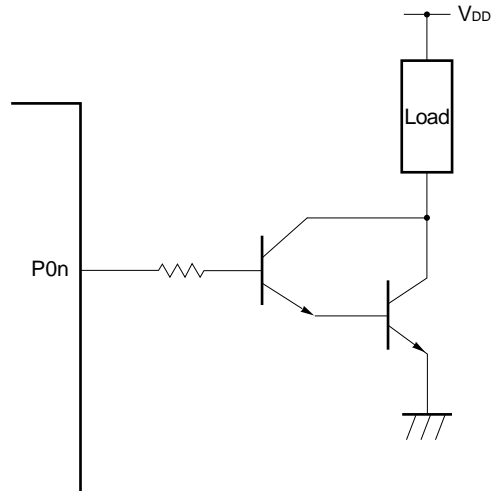
Figure 6-7. Pull-Up Resistor Specification (Port 0)



6.2.5 Transistor drive

In port 0, the output buffer high-level side drive capability has been increased, allowing active-high direct transistor drive. An example of the connection is shown in Figure 6-8.

Figure 6-8. Example of Transistor Drive



6.3 Port 1

Port 1 is an 8-bit input/output port with an output latch. Input/output can be specified in 1-bit units by setting the port 1 mode register (PM1). Each pin incorporates a programmable pull-up resistor. This port has direct LED drive capability.

In addition to their input/output port function, P10 to P14 also have an alternate function as serial interface pins. The operation mode can be specified bit-wise by setting the port 1 mode control register (PMC1), as shown in Table 6-3. The level of any pin can be read and tested at any time irrespective of the alternate-function operation.

When $\overline{\text{RESET}}$ is input, port 1 is set as an input port (output high-impedance state), and the output latch contents are undefined.

Table 6-3. Port 1 Operation Modes

Pin Name	Port Mode	Control Signal I/O Mode	Operation to Operate Control Pin
P10, P11	I/O port	—	—
P12		ASCK2 I/O/ $\overline{\text{SCK2}}$ I/O	Setting PMC12 bit of PMC1 to 1
P13		RxD2 input/SI2 input	Setting PMC13 bit of PMC1 to 1
P14		TxD2 output/SO2 output	Setting PMC14 bit of PMC1 to 1
P15 to P17		—	—

6.3.1 Hardware configuration

The port 1 hardware configuration is shown in Figures 6-9 to 6-12.

Figure 6-9. P12 (Port 1) Block Diagram

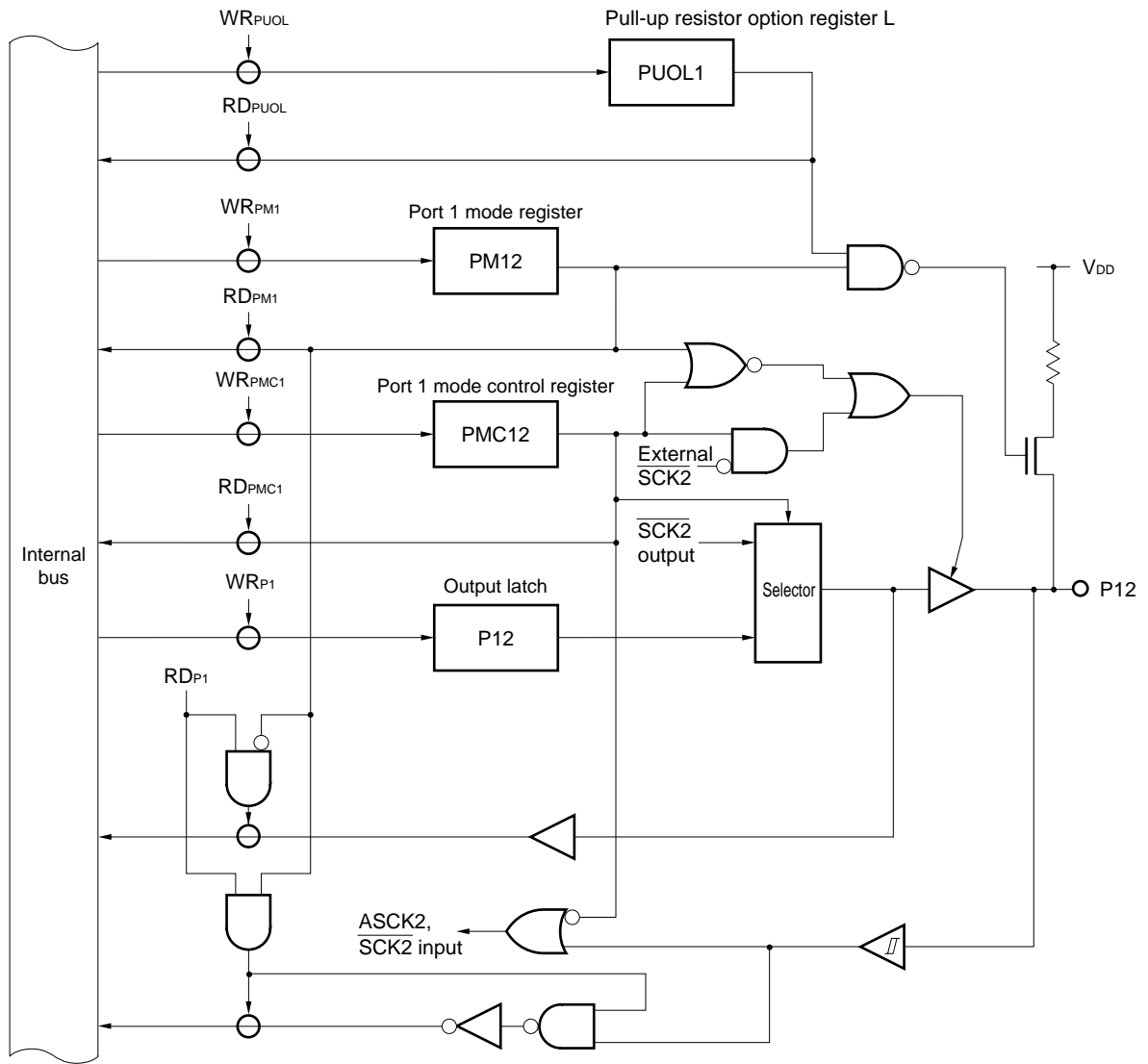


Figure 6-10. P13 (Port 1) Block Diagram

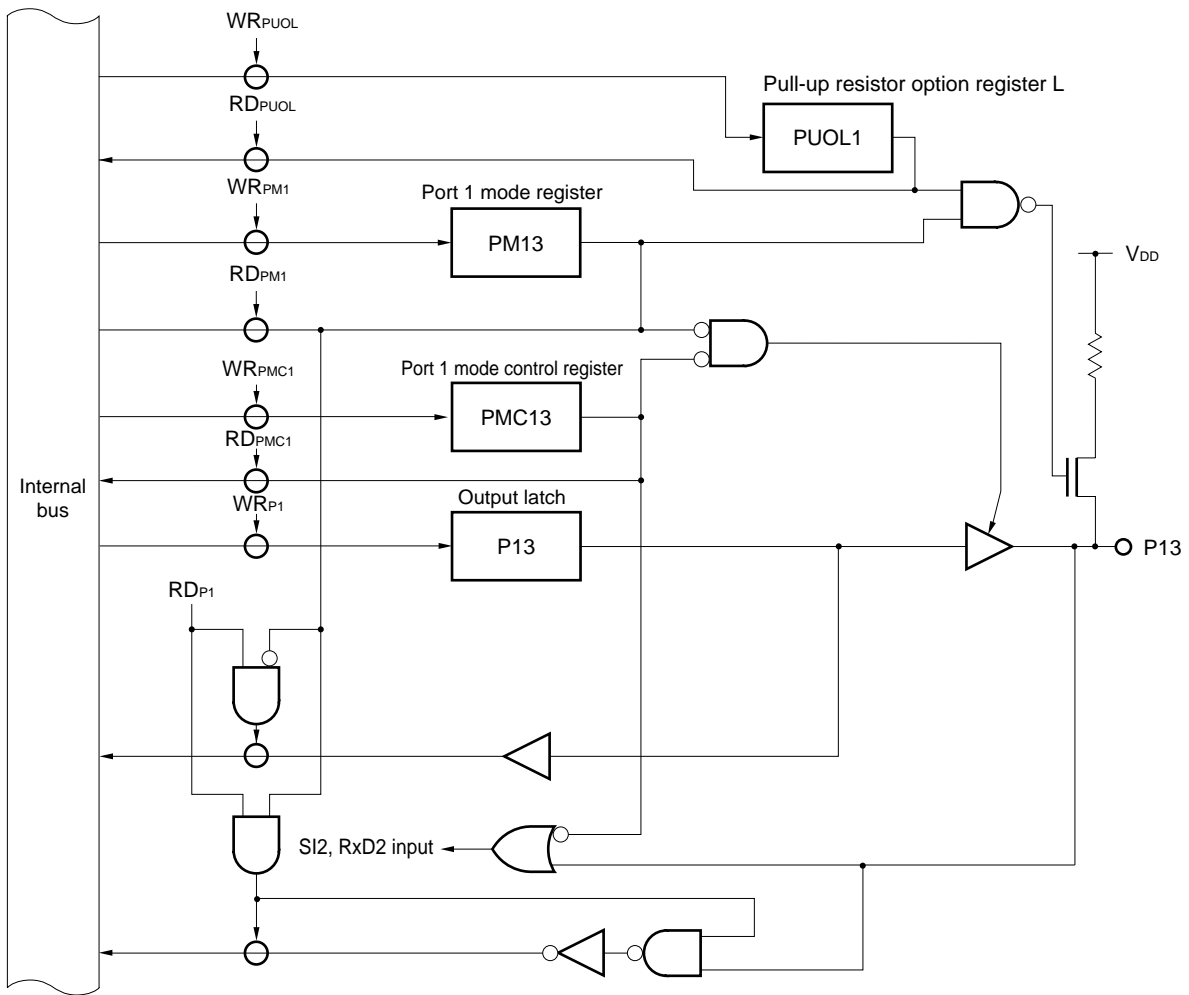


Figure 6-11. P14 (Port 1) Block Diagram

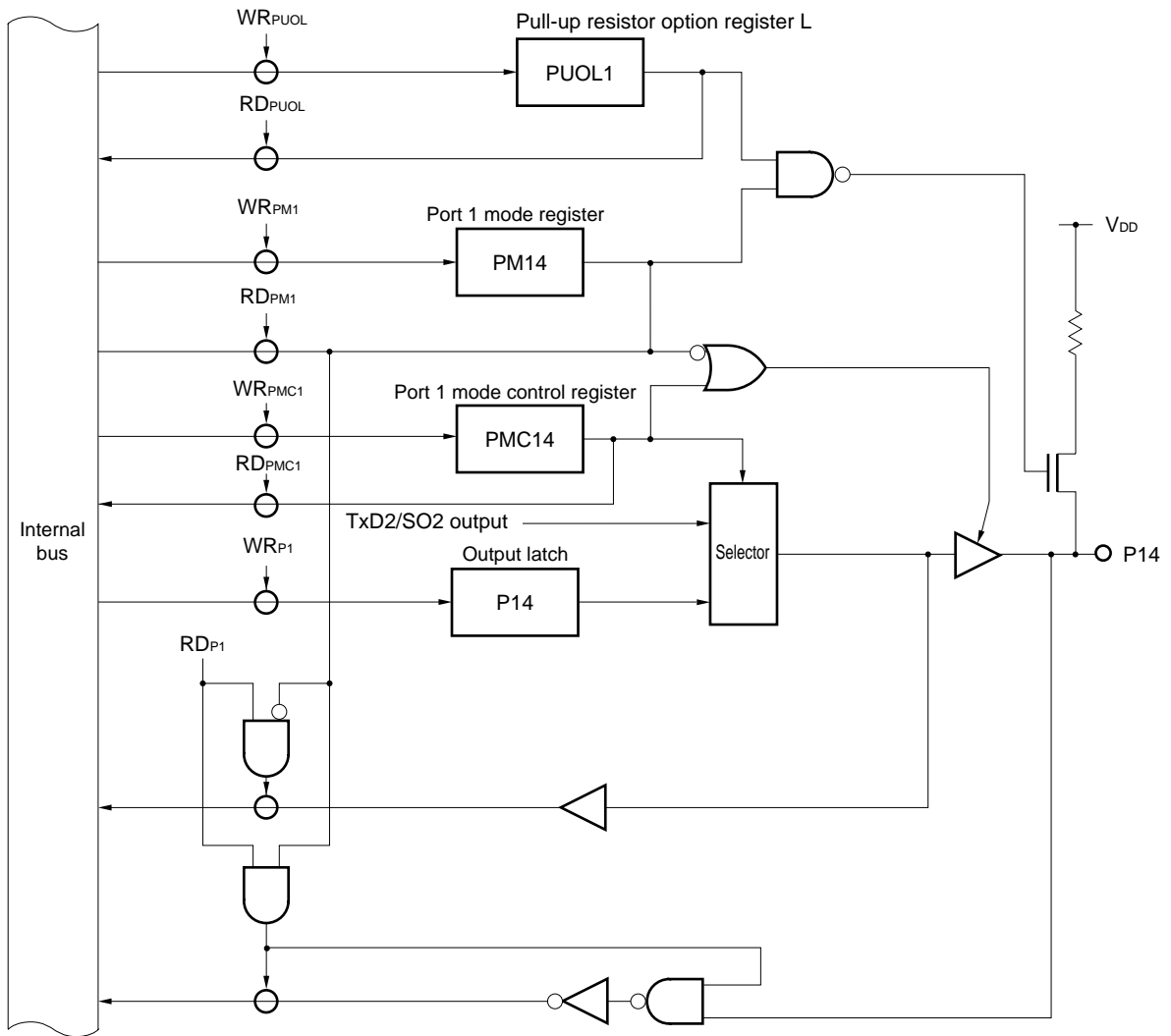
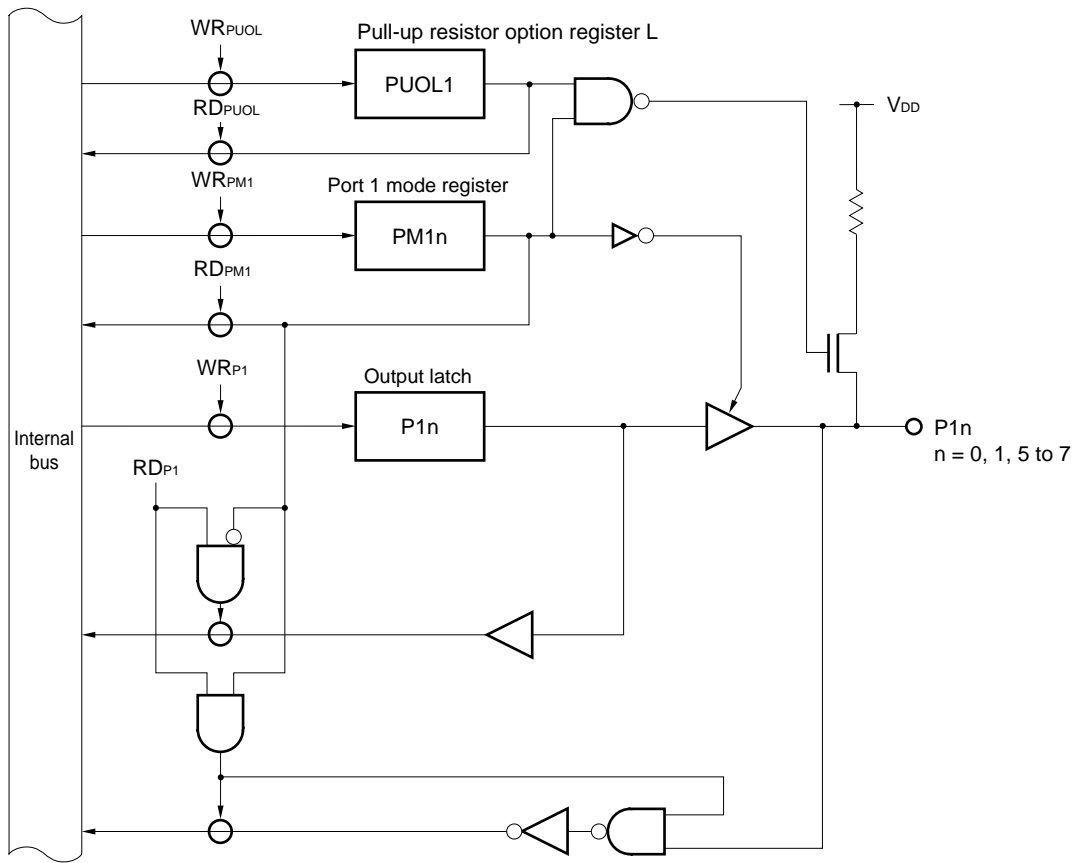


Figure 6-12. Block Diagram of P10, P11, and P15 to P17 (Port 1)



6.3.2 I/O mode/control mode setting

The port 1 input/output mode is set for each pin by means of the port 1 mode register (PM1) as shown in Figure 6-13.

In addition to their input/output port function, P12 to P14 also have an alternate function as serial interface pins, and the control mode is specified by setting the port 1 mode control register (PMC1) as shown in Figure 6-14.

Figure 6-13. Port 1 Mode Register (PM1) Format

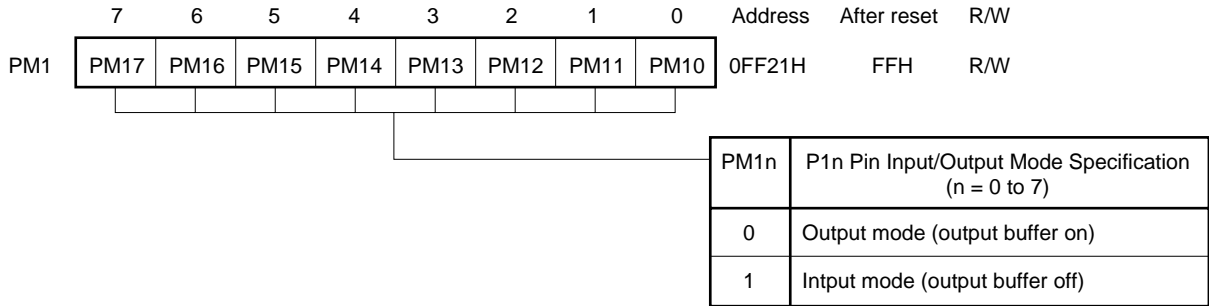
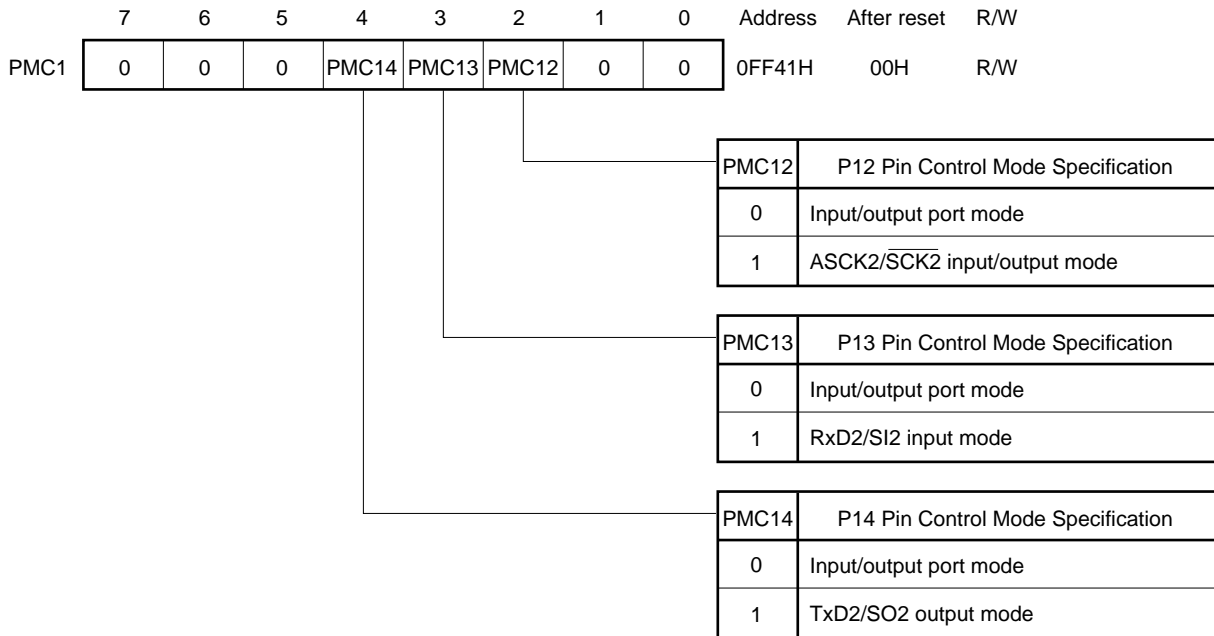


Figure 6-14. Port 1 Mode Control Register (PMC1) Format



6.3.3 Operating status

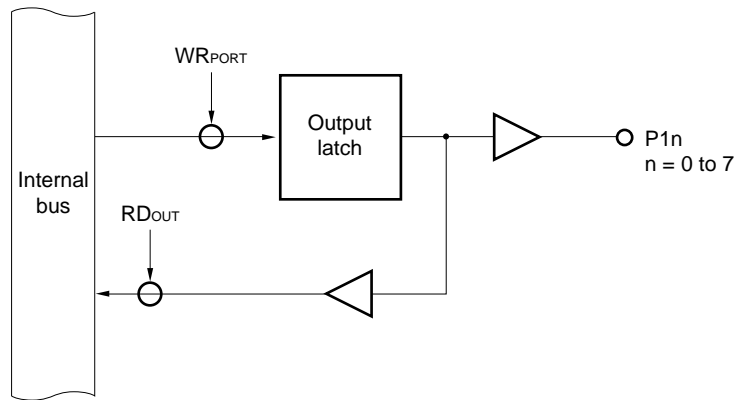
Port 1 is an input/output port. Pins P12 to P14 have an alternate function as serial interface pins.

(1) When set as an output port

The output latch is enabled, and data transfers between the output latch and accumulator are performed by means of transfer instructions. The output latch contents can be freely set by means of logical operation instructions. Once data has been written to the output latch, it is retained until data is next written to the output latch^{Note}.

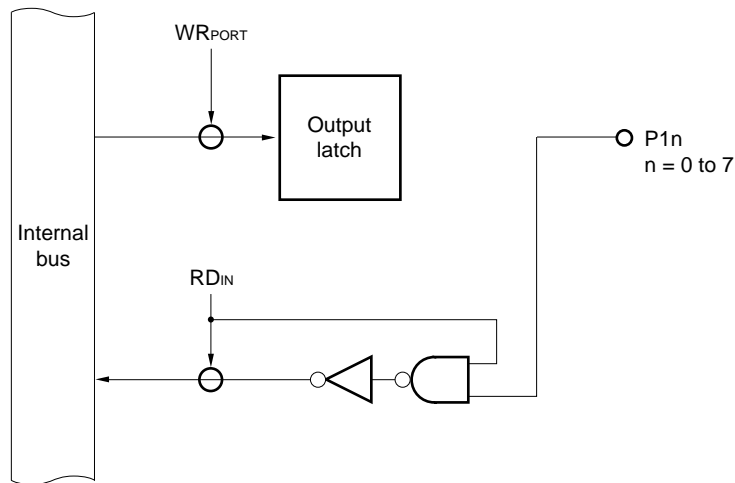
Note Including the case where another bit of the same port is manipulated by a bit manipulation instruction.

Figure 6-15. Port Specified as Output Port



(2) When set as an input port

The port pin level can be loaded into an accumulator by means of a transfer instruction, etc. In this case, too, writes can be performed to the output latch, and data transferred from the accumulator by a transfer instruction, etc., is stored in all output latches irrespective of the port input/output specification. However, since the output buffer of a bit specified as an input port is high-impedance, the data is not output to the port pin (when a bit specified as input is switched to an output port, the output latch contents are output to the port pin). Also, the contents of the output latch of a bit specified as an input port cannot be loaded into an accumulator.

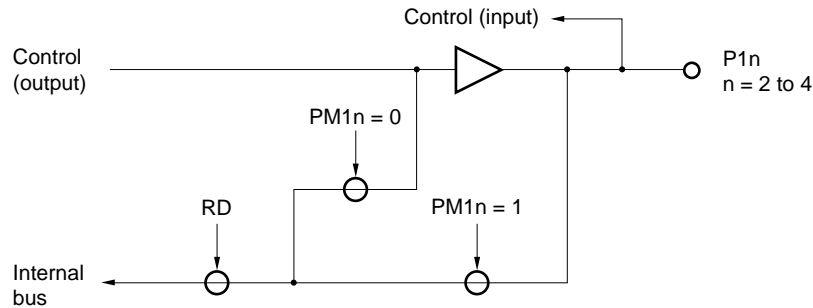
Figure 6-16. Port Specified as Input Port

Caution A bit manipulation instruction manipulates one bit as the result, but accesses the port in 8-bit units. Therefore, if a bit manipulation instruction is used on a port that has the I/O mode or port mode and control mode, the contents of the output latch of the pin set in the input mode or control mode become undefined (excluding bits manipulated with a SET1 or CLR1 instruction, etc.). Particular care is required when there are bits which are switched between input and output.

Caution is also required when manipulating the port with other 8-bit arithmetic instructions.

(3) When specified as control signal input/output

P12 to P14 (by setting (to 1) bits of the port 1 mode control register (PMC1)) can be used as control signal inputs or outputs bit-wise irrespective of the setting of the port 1 mode register (PM1). When a pin is used as a control signal, the control signal status can be seen by executing a port read instruction.

Figure 6-17. Control Specification**(a) When port is control signal output**

When the port 1 mode register (PM1) is set (to 1), the control signal pin level can be read by executing a port read instruction.

When PM1 is reset (to 0), the μ PD784938 internal control signal status can be read by executing a port read instruction.

(b) When port is control signal input

When the port 1 mode register (PM1) is set (to 1), control signal pin level can be read by executing a port read instruction.

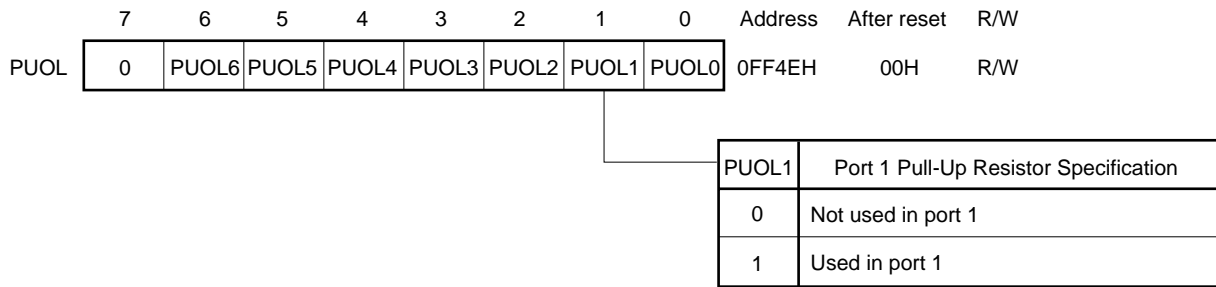
6.3.4 On-chip pull-up resistors

Port 1 incorporates pull-up resistors. Use of these internal resistors when pull-up is necessary enables the number of parts and the mounting area to be reduced.

Whether or not an on-chip pull-up resistor is to be used can be specified for each pin by means of the PUOL1 bit of the pull-up resistor option register L (PUOL) and the port 1 mode register (PM1). When PUOL1 is 1, the on-chip pull-up resistors of the pins for which input is specified by PM1 are enabled (PM1n = 1, n = 0 to 7).

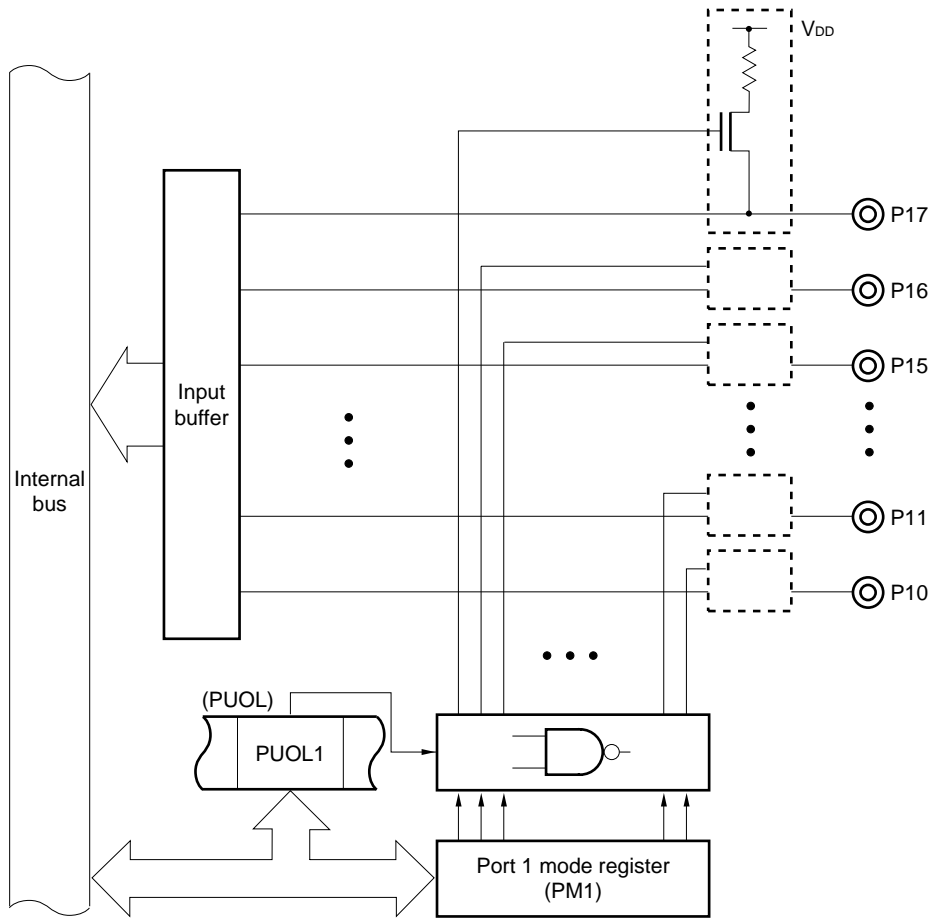
Also, the specification for use of the pull-up resistor is also valid for pins specified as control signal output pins (pull-up resistors are also connected to pins that function as control signal output pins). Therefore, if you do not want to connect the pull-up resistors with the control signal output pin, the contents of the corresponding bits of PM1 should be set to 0 (output mode).

Figure 6-18. Pull-Up Resistor Option Register L (PUOL) Format



Remark When STOP mode is entered, setting PUOL to 00H is effective for reducing the current consumption.

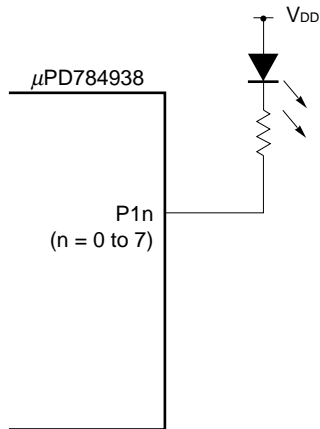
Figure 6-19. Pull-Up Resistor Specification (Port 1)



6.3.5 Direct LED drive

In port 1, the output buffer low-level side drive capability has been reinforced allowing active-low direct LED drive. An example of such use is shown in Figure 6-20.

Figure 6-20. Example of Direct LED Drive



6.4 Port 2

Port 2 is an 8-bit input-only port. P22 to P27 incorporate a software programmable pull-up resistor. As well as operating as input ports, port 2 pins also operate as control signal input pins, such as external interrupt signal pins (see Table 6-4). All 8 pins are Schmitt-triggered inputs to prevent misoperation due to noise.

Table 6-4. Port 2 Operation Modes

Port Name	Function
P20	Input port/NMI input ^{Note}
P21	Input port/INTP0 input/CR11 capture trigger input/ timer/event counter 1 count clock/real-time output port trigger signal
P22	Input port/INTP1 input/CR22 capture trigger input
P23	Input port/INTP2 input/CI input
P24	Input port/INTP3 input/CR02 capture trigger input/ timer/event counter 0 count clock
P25	Input port/INTP4 input/ASCK input/ $\overline{\text{SCK1}}$ input/output
P26	Input port/INTP5 input/A/D converter external trigger input
P27	Input port/SI0 input

Note NMI input is acknowledged regardless of whether interrupts are enabled or disabled.

(a) Function as port pins

The pin level can always be read or tested regardless of the alternate-function operation.

(b) Functions as control signal input pins

(i) NMI (Non-maskable Interrupt)

The external non-maskable interrupt request input pin. Rising edge detection or falling edge detection can be specified by setting the external interrupt mode register 0 (INTM0).

(ii) INTP0 to INTP5 (Interrupt from Peripherals)

External interrupt request input pins. When the valid edge specified by the external interrupt mode registers 0, 1 (INTM0/INTM1) is detected an interrupt is generated (see **CHAPTER 22 EDGE DETECTION FUNCTION**). In addition, pins INTP0 to INTP3 and INTP5 are also used as external trigger input pins with the various functions shown below.

- INTP0 Timer/event counter 1 capture trigger input pin
External count clock input pin
Real-time output port trigger input pin
- INTP1 Timer/event counter 2 capture register (CR22) capture trigger input pin
- INTP2 Timer/event counter 2 external count clock input pin
Capture/compare register (CR21) capture trigger input pin
- INTP3 Timer/event counter 0 capture trigger input pin
Timer/event counter 0 external count clock input pin
- INTP5 A/D converter external trigger input pin

(iii) CI (Clock Input)

The timer/event counter 2 external clock input pin

(iv) ASCK (Asynchronous Serial Clock)

The external baud rate clock input pin

(v) $\overline{\text{SCK1}}$ (Serial Clock 1)

The serial clock input/output pin (in 3-wire serial I/O 1 mode)

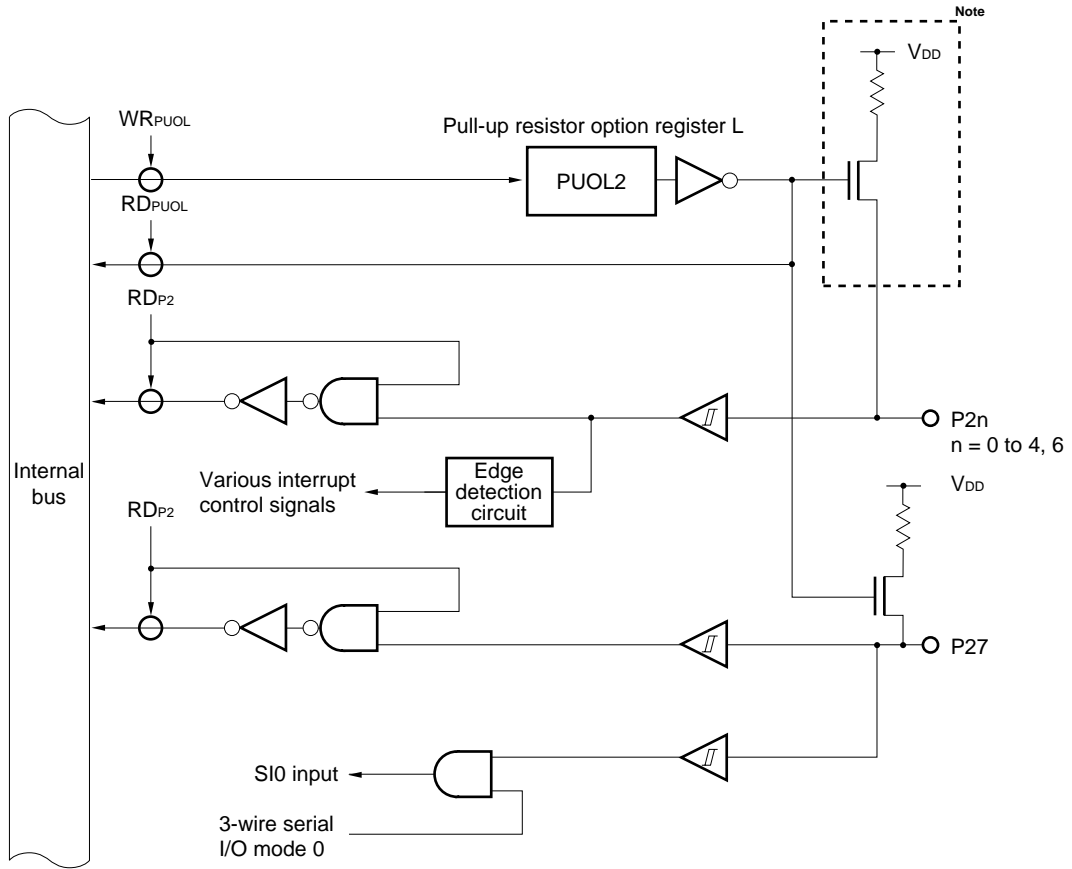
(vi) SI0 (Serial Input 0)

The serial data input pin (in 3-wire serial I/O 0 mode)

6.4.1 Hardware configuration

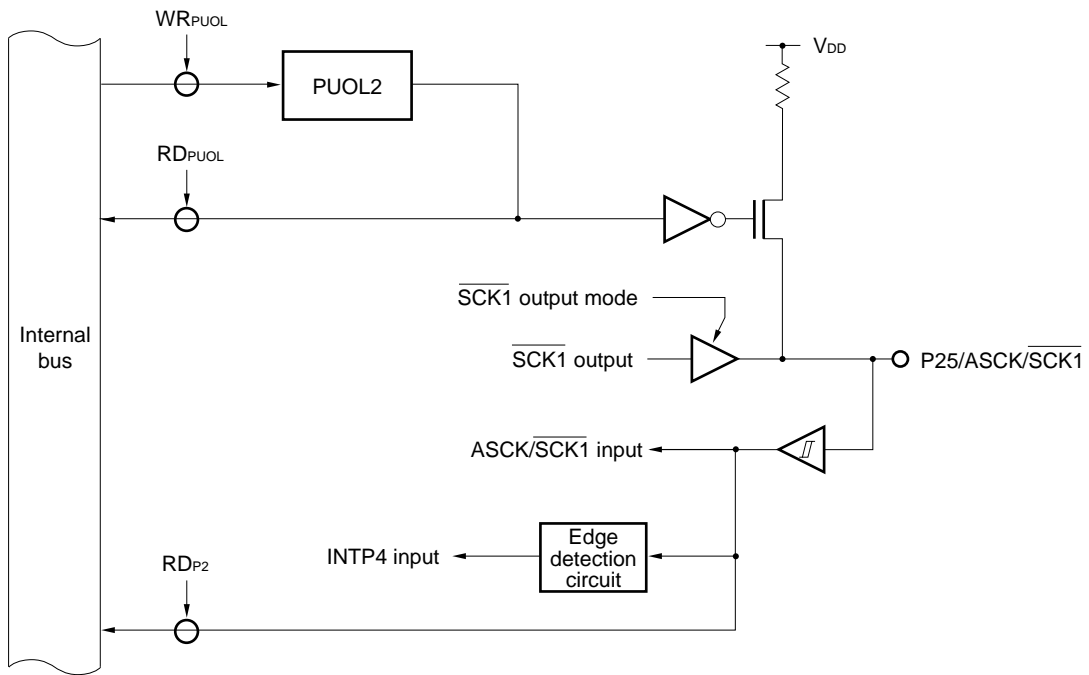
The port 2 hardware configuration is shown in Figure 6-21.

Figure 6-21. Block Diagram of P20 to P24, P26 and P27 (Port 2)



Note P20 and P21 do not have the circuitry enclosed by the broken lines.

Figure 6-22. P25 (Port 2) Block Diagram



6.4.2 Input mode/control mode setting

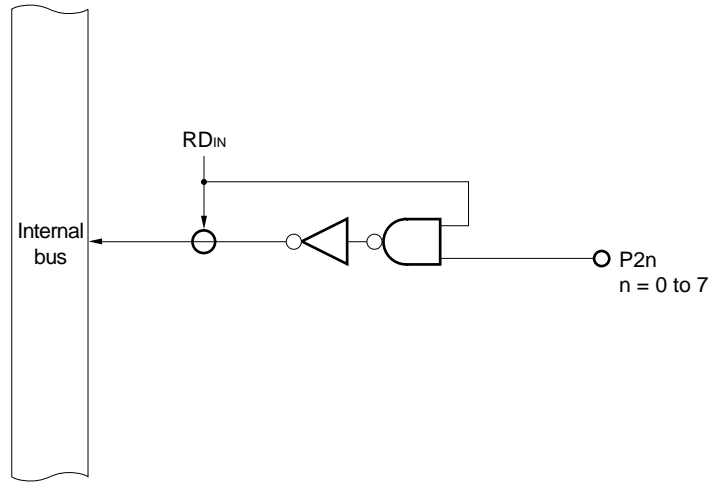
Port 2 is an input-only port, and there is no register for setting the input mode.

Also, control signal input is always possible, and therefore the signal to be used is determined by the control registers for individual on-chip hardware items.

6.4.3 Operating status

Port 2 is an input-only port, and pin levels can always be read or tested.

Figure 6-23. Port Specified as Input Port



6.4.4 On-chip pull-up resistors

P22 to P27 incorporate pull-up resistors. Use of these internal resistors when pull-up is necessary enables the number of parts and the mounting area to be reduced.

Whether or not an on-chip pull-up resistor is to be used can be specified for all six pins, P22 to P27, together by means of the PUOL2 bit of the pull-up resistor option register L (PUOL) (bit-wise specification is not possible).

P20 and P21 do not incorporate a pull-up resistor.

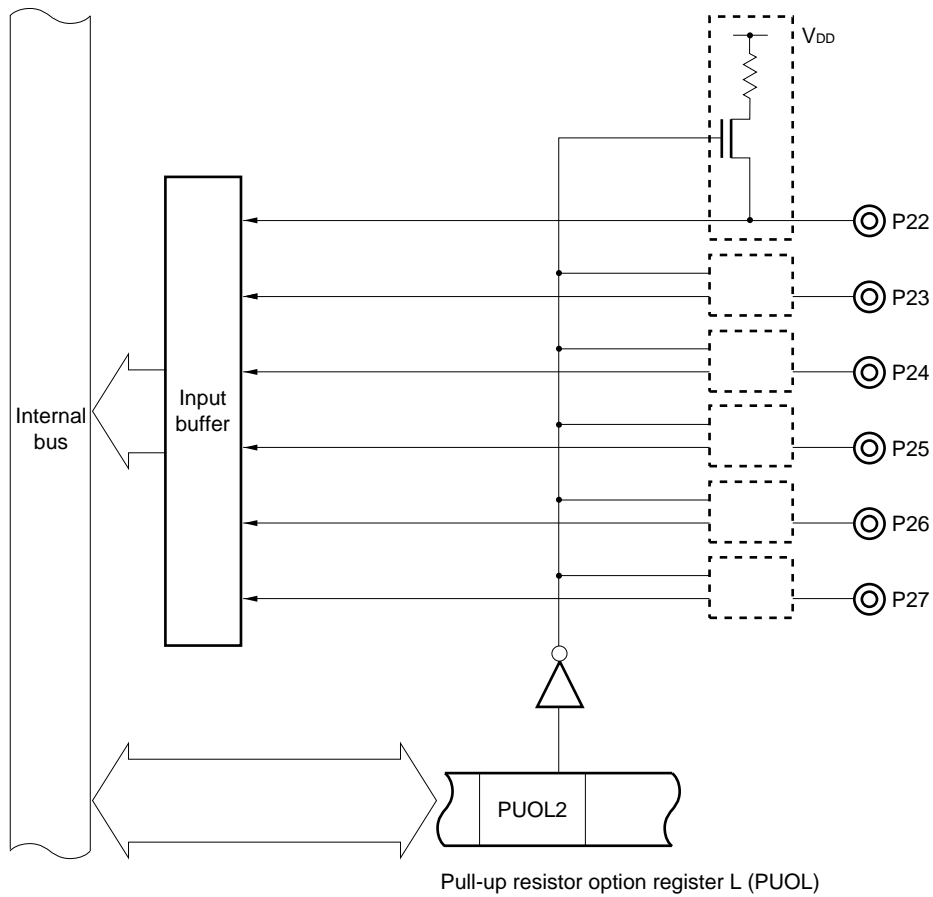
Figure 6-24. Pull-Up Resistor Option Register L (PUOL) Format

	7	6	5	4	3	2	1	0	Address	After reset	R/W
PUOL	0	PUOL6	PUOL5	PUOL4	PUOL3	PUOL2	PUOL1	PUOL0	0FF4EH	00H	R/W

PUOL2	Port 2 Pull-Up Resistor Specification
0	Not used in port 2
1	Used in pins P22 to P27

Remark When STOP mode is entered, setting PUOL to 00H is effective for reducing the current consumption.

Figure 6-25. Pull-Up Specification (Port 2)



Caution As P22 to P26 are not pulled up immediately after a reset, an interrupt request flag may be set depending on the function of the alternate function (INTP1 to INTP5). Therefore, the interrupt request flags should be cleared after specifying pull-up in the initialization routine.

6.5 Port 3

Port 3 is an 8-bit input/output port with an output latch. Input/output can be specified in 1-bit units by setting the port 3 mode register (PM3). Each pin incorporates a software programmable pull-up resistor. P32 and P33 can be set in the N-ch open-drain mode.

In addition to its function as an input/output port, port 3 also has various alternate-function control signal pin functions.

The operation mode can be specified in 1-bit units by setting the port 3 mode control register (PMC3), as shown in Table 6-5. The pin level of all pins can always be read or tested regardless of the alternate-function pin operation.

When $\overline{\text{RESET}}$ is input, port 3 is set as an input port (output high-impedance state), and the output latch contents are undefined.

Table 6-5. Port 3 Operation Modes

(n = 0 to 7)

Mode	Port Mode	Control Signal Input/Output Mode
Setting Condition	PMC3n = 0	PMC3n = 1
P30	Input/output port	RxD input/SI1 input
P31		TxD output/SO1 output
P32		$\overline{\text{SCK0}}$ input/output
P33		SO0 output
P34		TO0 output
P35		TO1 output
P36		TO2 output
P37		TO3 output

(a) Port mode

Each port specified as port mode by the port 3 mode control register (PMC3) can be specified as input/output bit-wise by setting the port 3 mode register (PM3).

(b) Control signal input/output mode

Pins can be set as control pins in 1-bit units by setting the port 3 mode control register (PMC3).

(i) RxD (Receive Data) /SI1 (Serial Input 1)

RxD is the asynchronous serial interface serial data input pin. SI1 is the serial data input pin (in 3-wire serial I/O 1 mode).

(ii) TxD (Transmit Data) /SO1 (Serial Output 1)

TxD is the asynchronous serial interface serial data output pin. SO1 is the serial data output pin (in 3-wire serial I/O 1 mode).

(iii) $\overline{\text{SCK0}}$ (Serial Clock 0)

$\overline{\text{SCK0}}$ is the clocked serial interface serial clock input/output pin (in 3-wire serial I/O 0 mode).

(iv) SO0 (Serial Output 0)

SO0 is the serial data output pin (in 3-wire serial I/O 0 mode).

(v) TO0 to TO3 (Timer Output)

Timer output pins

Figure 6-27. Block Diagram of P31 and P34 to P37 (Port 3)

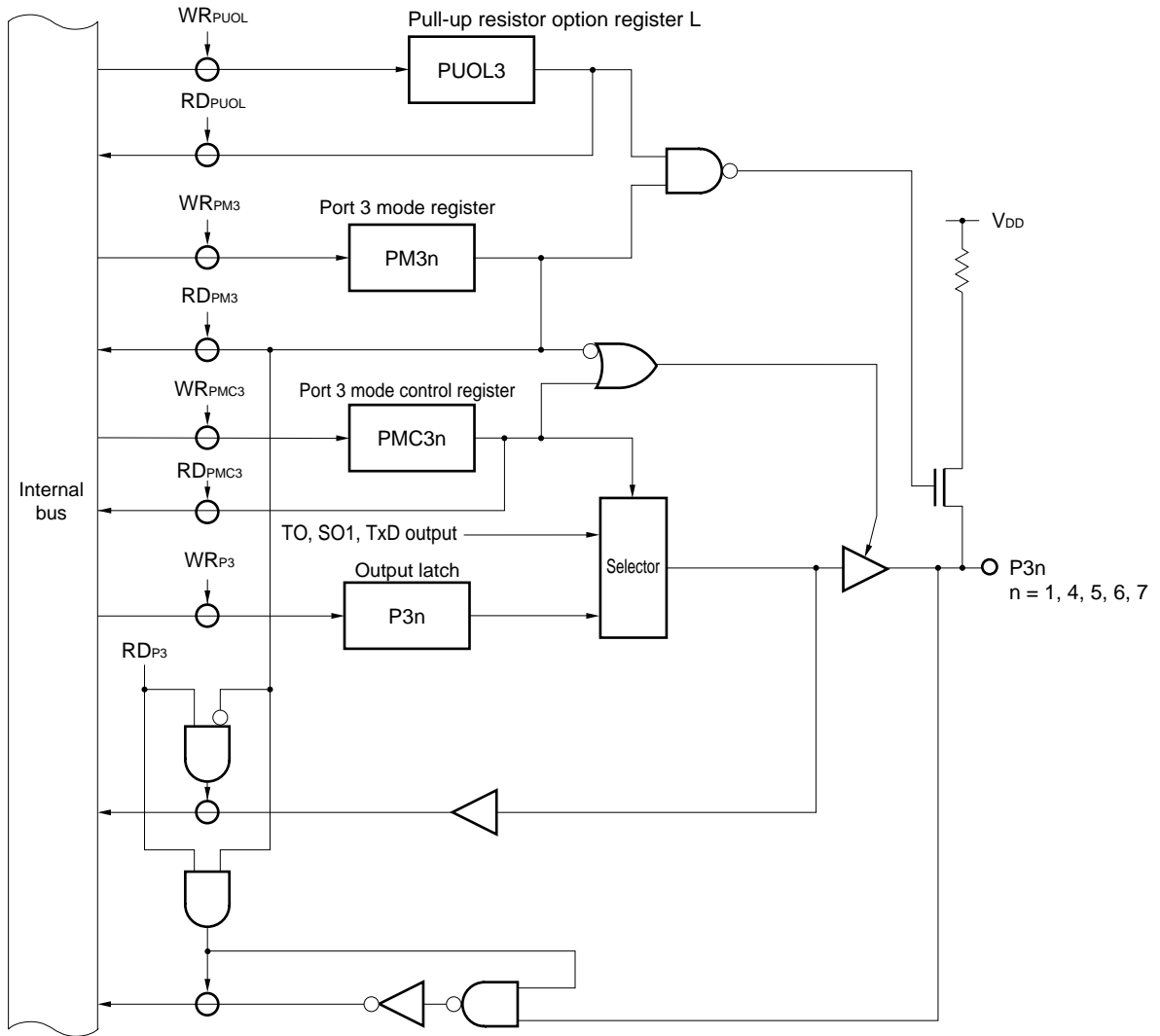


Figure 6-28. P32 (Port 3) Block Diagram

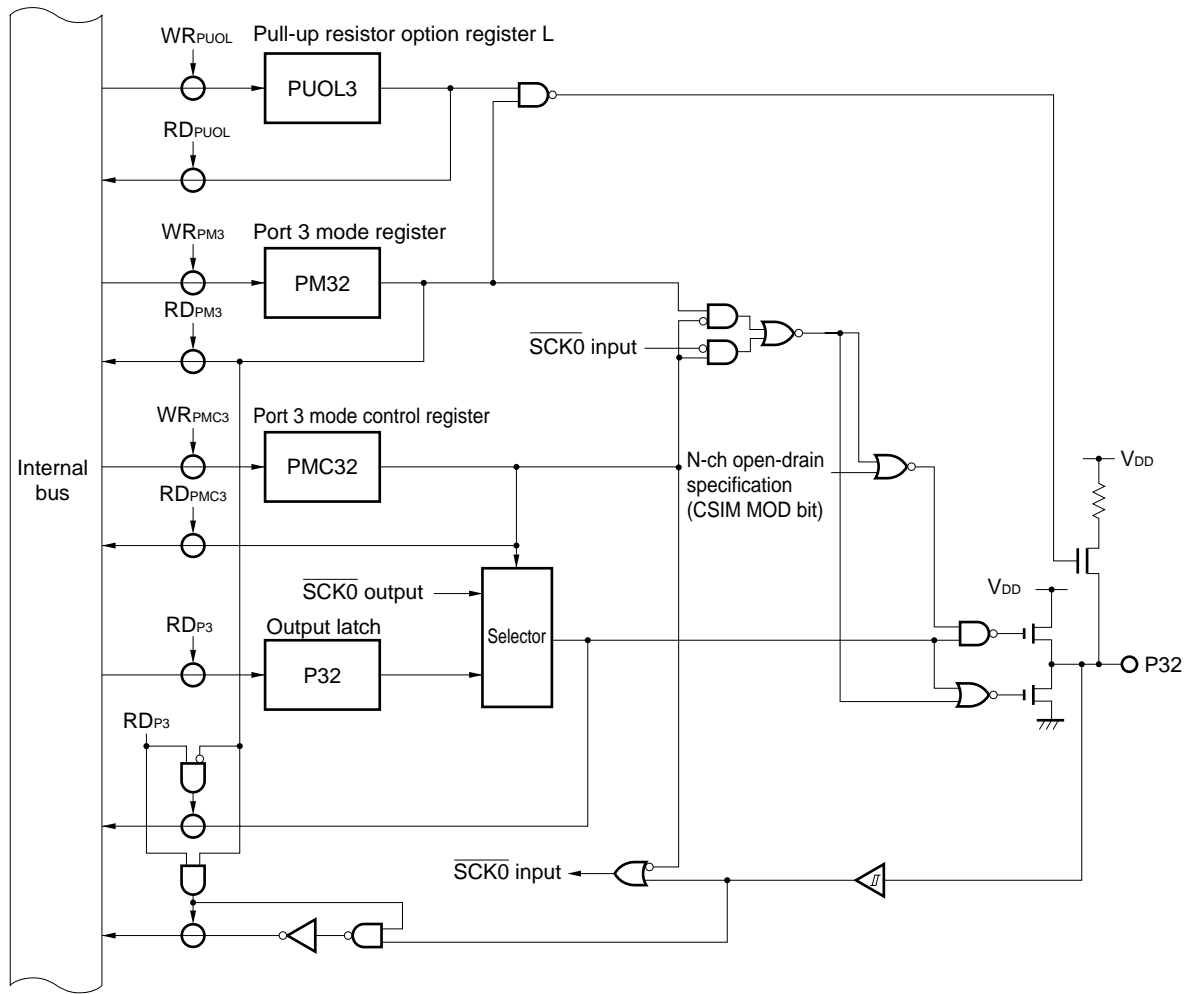
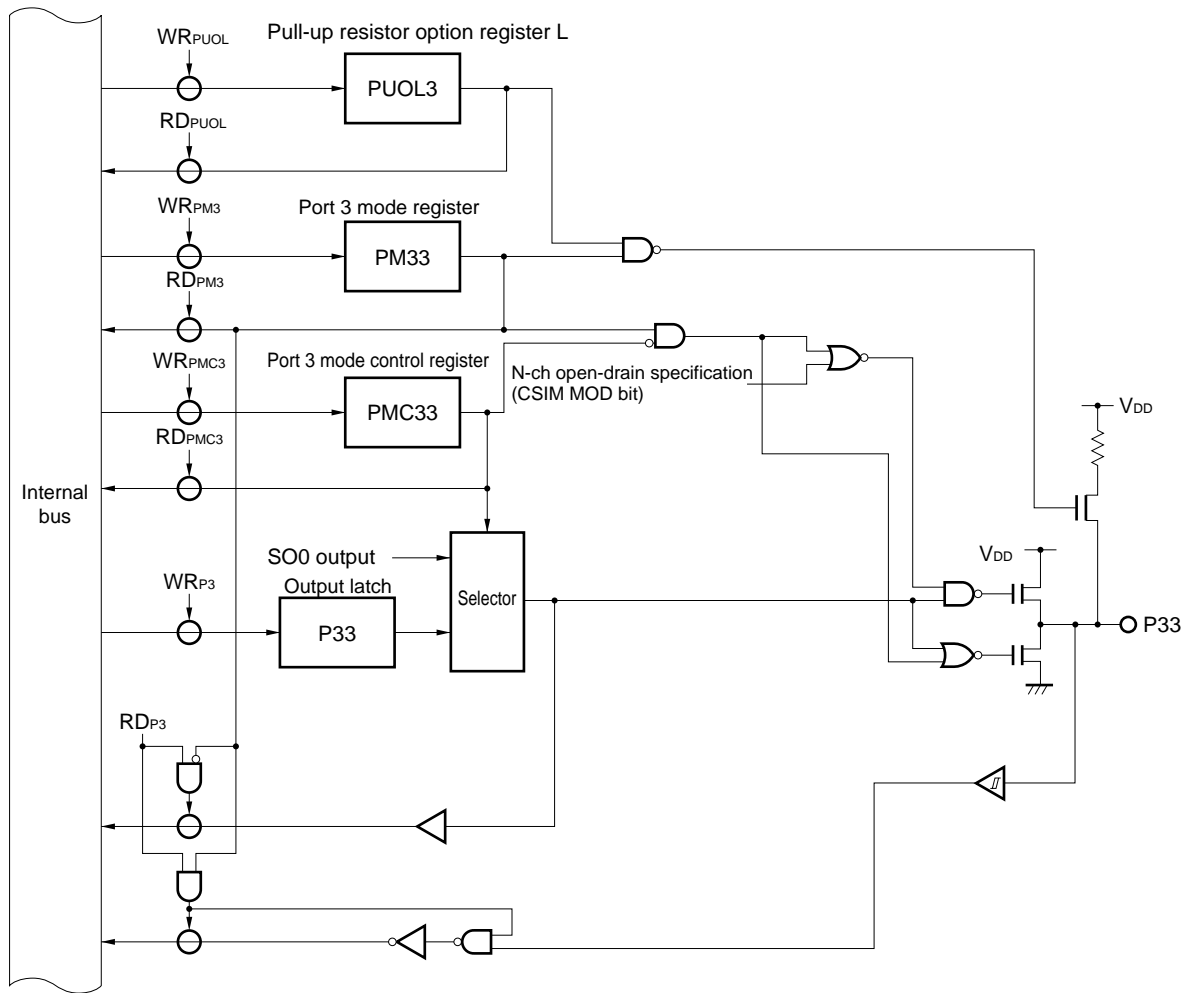


Figure 6-29. P33 (Port 3) Block Diagram



6.5.2 I/O mode/control mode setting

The port 3 input/output mode is set for each pin by means of the port 3 mode register (PM3) as shown in Figure 6-30.

In addition to their input/output port function, port 3 pins also have an alternate function as various control signal pins, and the control mode is specified by setting the port 3 mode control register (PMC3) as shown in Figure 6-31.

Figure 6-30. Port 3 Mode Register (PM3) Format

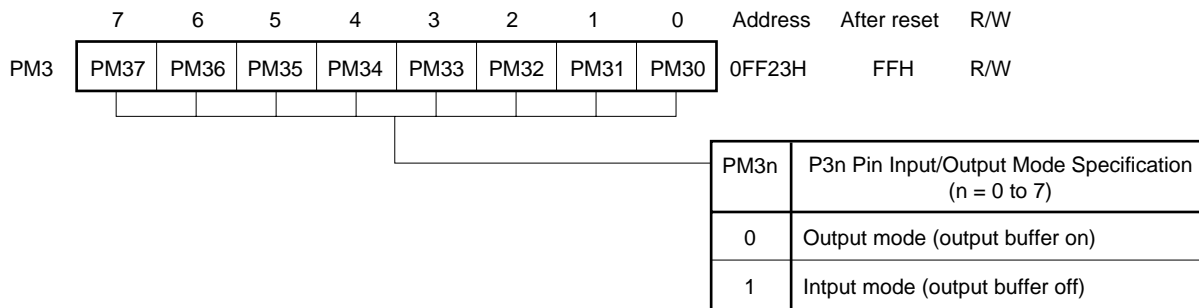
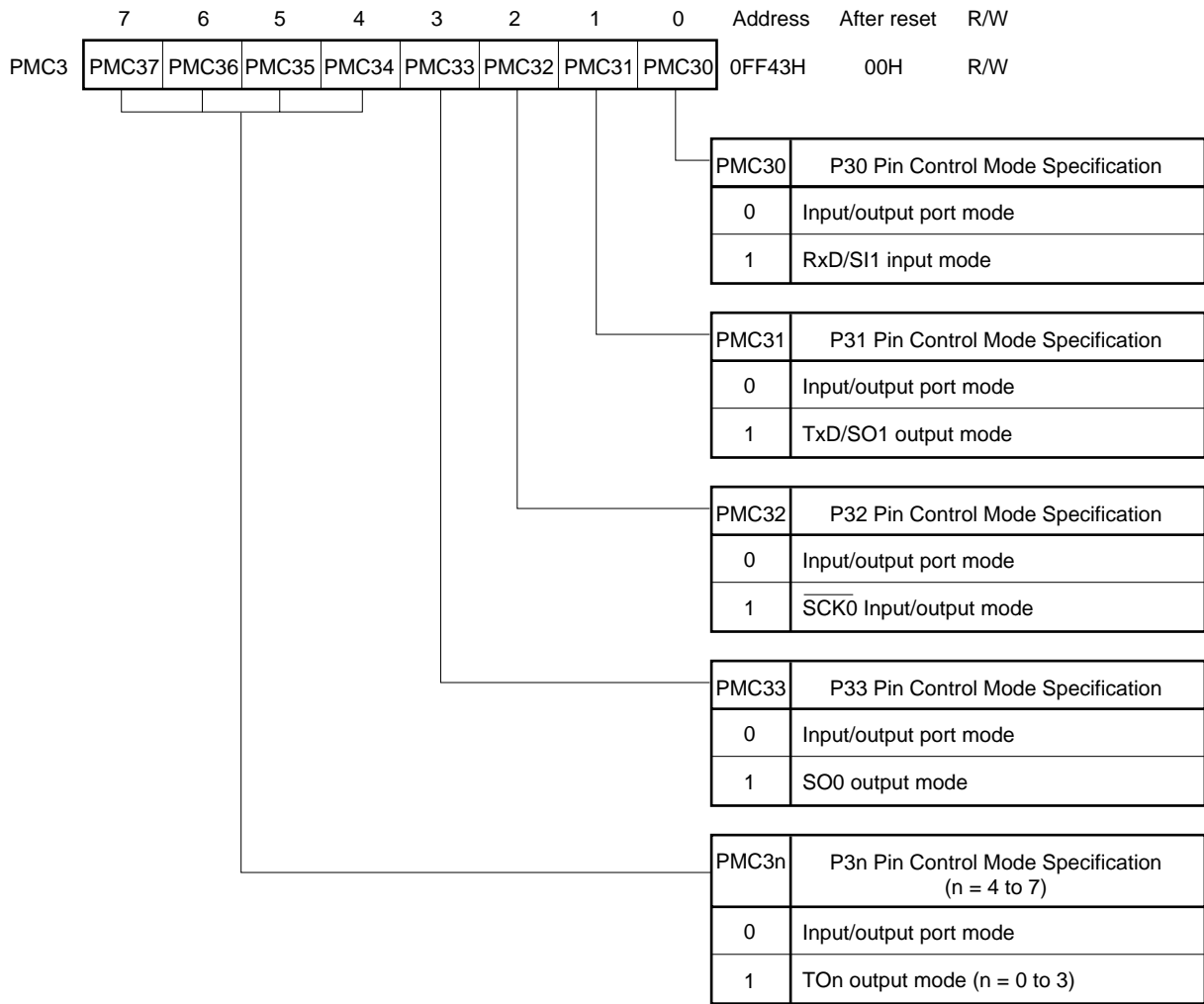


Figure 6-31. Port 3 Mode Control Register (PMC3) Format



6.5.3 Operating status

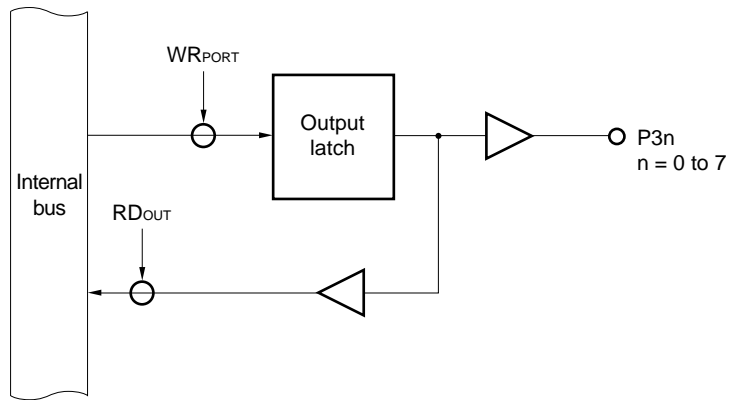
Port 3 is an input/output port, with an alternate function as various control pins.

(1) When set as an output port

The output latch is enabled, and data transfers between the output latch and accumulator are performed by means of transfer instructions. The output latch contents can be freely set by means of logical operation instructions. Once data has been written to the output latch, it is retained until data is next written to the output latch^{Note}.

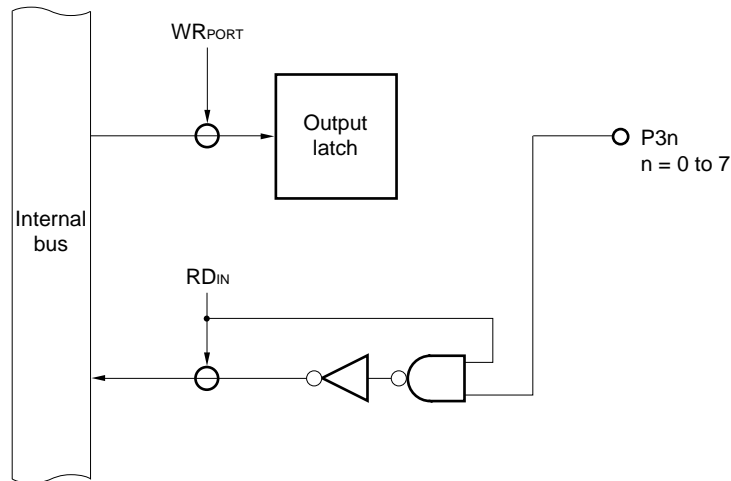
Note Including the case where another bit of the same port is manipulated by a bit manipulation instruction.

Figure 6-32. Port Specified as Output Port



(2) When set as an input port

The port pin level can be loaded into an accumulator by means of a transfer instruction. In this case, too, writes can be performed to the output latch, and data transferred from the accumulator by a transfer instruction, etc., is stored in all output latches irrespective of the port input/output specification. However, since the output buffer of a bit specified as an input port is high impedance, the data is not output to the port pin (when a bit specified as input is switched to an output port, the output latch contents are output to the port pin). Also, the contents of the output latch of a bit specified as an input port cannot be loaded into an accumulator.

Figure 6-33. Port Specified as Input Port

Caution A bit manipulation instruction manipulates one bit as the result, but accesses the port in 8-bit units. Therefore, if a bit manipulation instruction is used on a port with a mixture of input and output pins or port mode and control mode, the contents of the output latch of pins specified as inputs and pins specified as control mode will be undefined (excluding bits manipulated with a SET1 or CLR1 instruction, etc.). Particular care is required when there are bits which are switched between input and output.

Caution is also required when manipulating the port with other 8-bit arithmetic instructions.

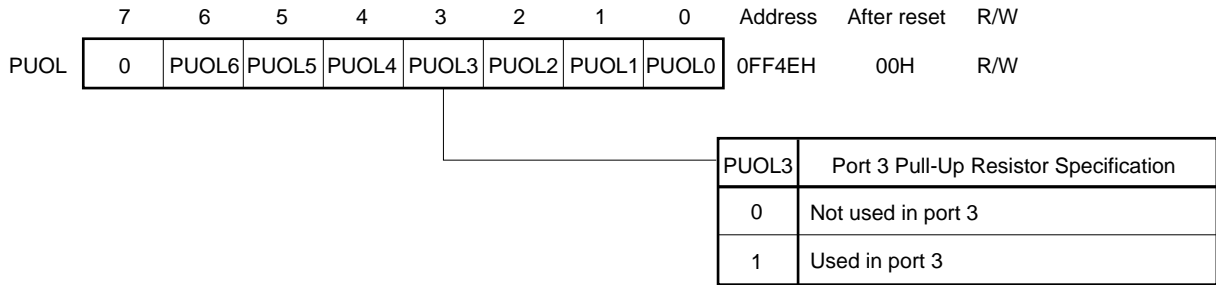
6.5.4 On-chip pull-up resistors

Port 3 incorporates pull-up resistors. Use of these internal resistors when pull-up is necessary enables the number of parts and the mounting area to be reduced.

Whether or not an on-chip pull-up resistor is to be used can be specified for each pin by setting the PUOL3 bit of the pull-up resistor option register L (PUOL) and the port 3 mode register (PM3). When PUOL3 is 1, the on-chip pull-up resistors of the pins for which input is specified by PM3 ($PM3n = 1, n = 0$ to 7) are enabled.

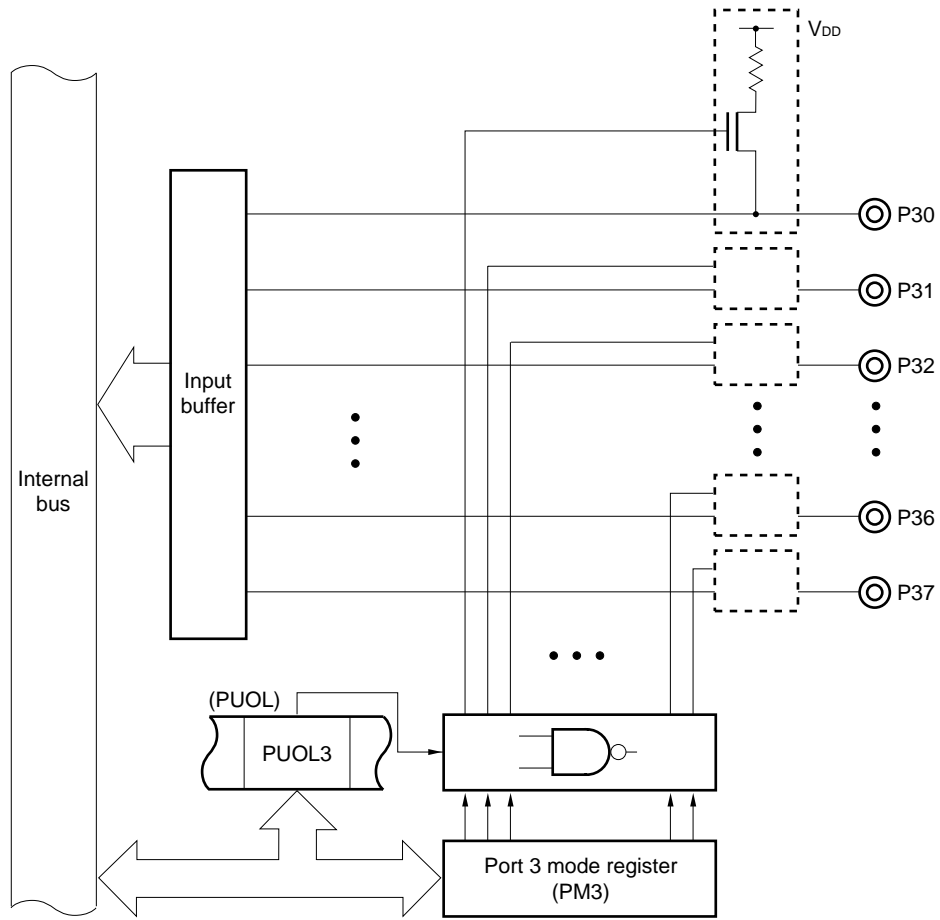
Also, the specification for use of the pull-up resistor is also valid for pins specified as control mode pins (pull-up resistors are also connected to pins that function as output pins in the control mode). Therefore, if you do not want to connect the pull-up resistors in the control mode, the contents of the corresponding bits of PM3 should be set to 0 (output mode).

Figure 6-35. Pull-Up Resistor Option Register L (PUOL) Format



Remark When STOP mode is entered, setting PUOL to 00H is effective for reducing the current consumption.

Figure 6-36. Pull-Up Specification (Port 3)



6.6 Port 4

Port 4 is an 8-bit input/output port with an output latch. Input/output can be specified in 1-bit units by setting the port 4 mode register (PM4). Each pin incorporates a software programmable pull-up resistor. This port has direct LED drive capability.

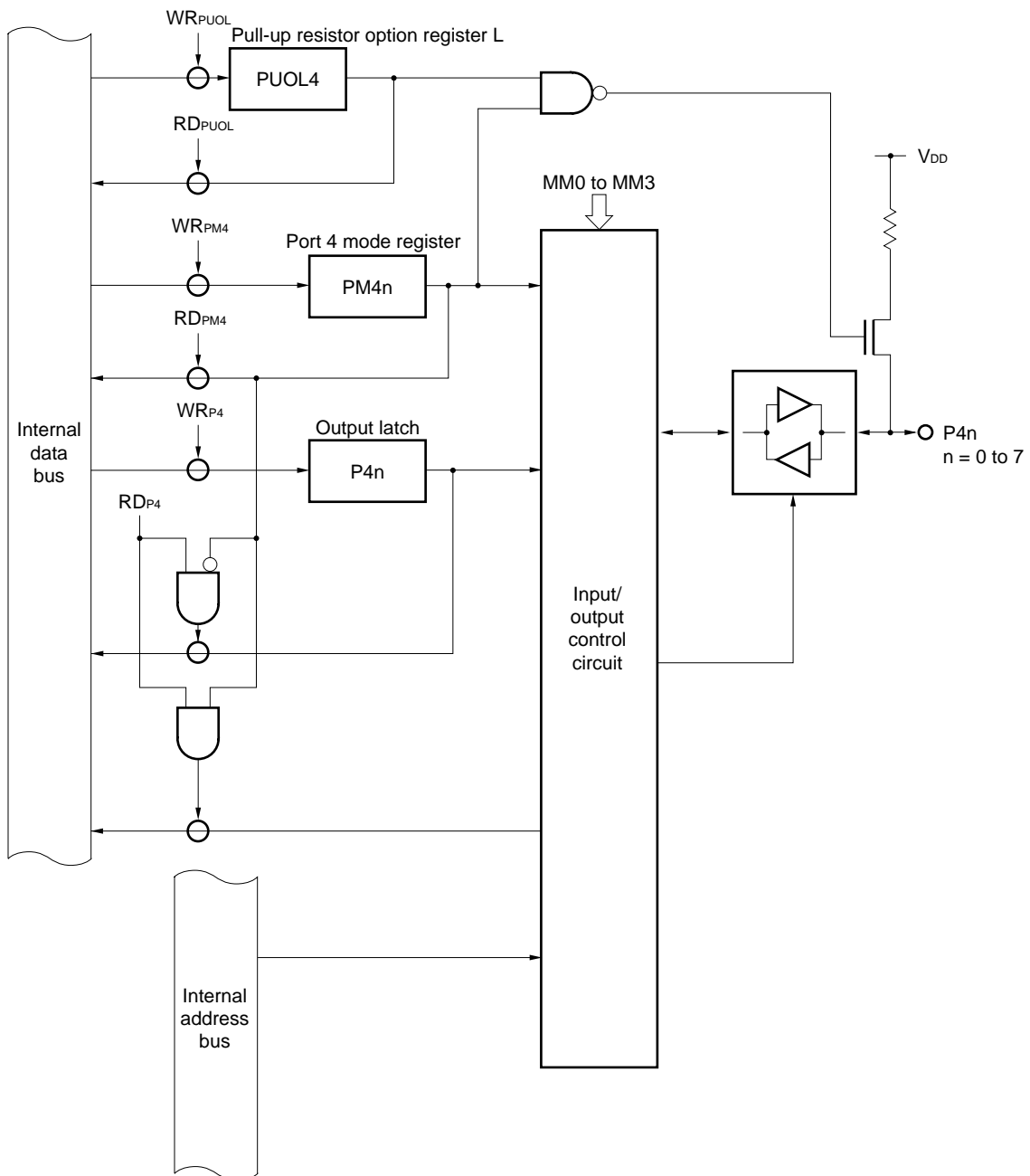
Port 4 also functions as the time division address/data bus (AD0 to AD7) by the memory expansion mode register (MM) when external memory or I/Os are expanded.

When $\overline{\text{RESET}}$ is input, port 4 is set as an input port (output high-impedance state), and the output latch contents are undefined.

6.6.1 Hardware configuration

The port 4 hardware configuration is shown in Figure 6-37.

Figure 6-37. Port 4 Block Diagram



6.6.2 I/O mode/control mode setting

The port 4 input/output mode is set for each pin by means of the port 4 mode register (PM4) as shown in Figure 6-38.

When port 4 is used as the address/data bus, it is set by means of the memory expansion mode register (MM: See **Figure 24-1**) as shown in Table 6-6.

Figure 6-38. Port 4 Mode Register (PM4) Format

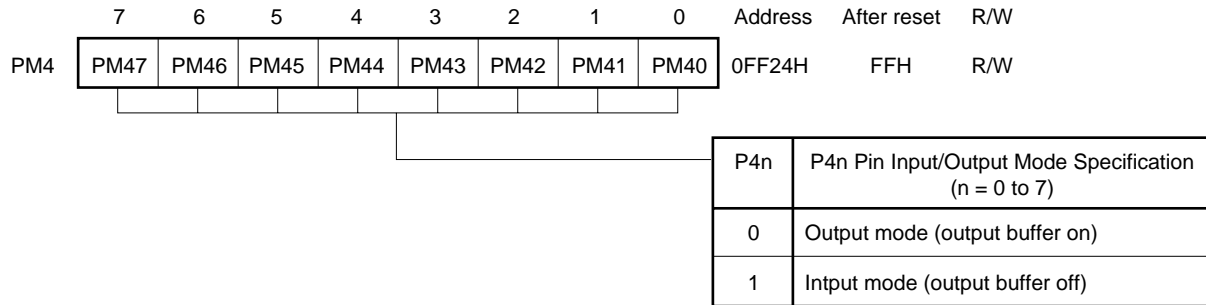


Table 6-6. Port 4 Operation Modes

MM Bits				Operation Mode
MM3	MM2	MM1	MM0	
0	0	0	0	Port
0	0	1	1	Address/data bus (AD0 to AD7)
0	1	0	0	
0	1	0	1	
0	1	1	0	
0	1	1	1	
1	0	0	0	
1	0	0	1	

6.6.3 Operating status

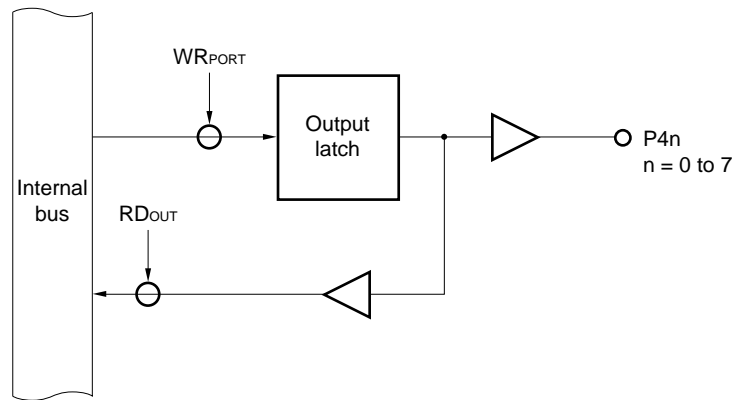
Port 4 is an input/output port, with an alternate function as the address/data bus (AD0 to AD7).

(1) When set as an output port

The output latch is enabled, and data transfers between the output latch and accumulator are performed by means of transfer instructions. The output latch contents can be freely set by means of logical operation instructions. Once data has been written to the output latch, it is retained until data is next written to the output latch^{Note}.

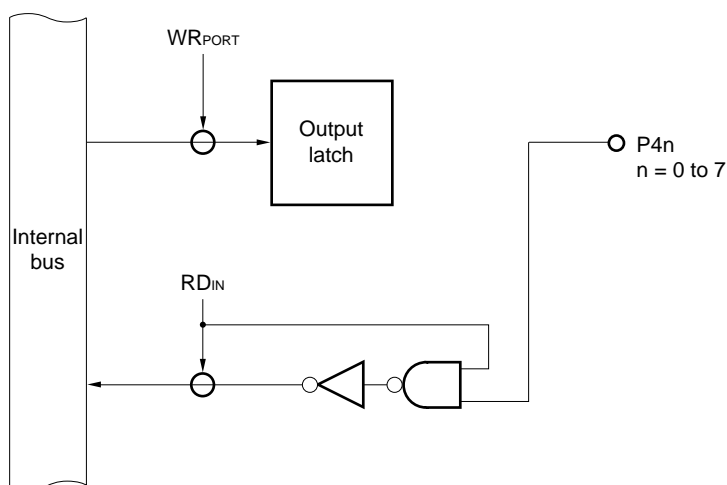
Note Including the case where another bit of the same port is manipulated by a bit manipulation instruction.

Figure 6-39. Port Specified as Output Port



(2) When set as an input port

The port pin level can be loaded into an accumulator by means of a transfer instruction. In this case, too, writes can be performed to the output latch, and data transferred from the accumulator by a transfer instruction, etc., is stored in all output latches irrespective of the port input/output specification. However, since the output buffer of a bit specified as an input port is high-impedance, the data is not output to the port pin (when a port specified as input is switched to an output port, the output latch contents are output to the port pin). Also, when specified as an input port, the output latch contents cannot be loaded into an accumulator.

Figure 6-40. Port Specified as Input Port

Caution A bit manipulation instruction manipulates one bit as the result, but accesses the port in 8-bit units. Therefore, if a bit manipulation instruction is used on a port with a mixture of input and output pins, the contents of the output latch of pins specified as inputs will be undefined (excluding bits manipulated with a SET1 or CLR1 instruction, etc.). Particular care is required when there are bits which are switched between input and output.

Caution is also required when manipulating the port with other 8-bit arithmetic instructions.

(3) When used as address/data bus (AD0 to AD7)

Used automatically when an external access is performed.

Input/output instructions should not be executed on port 4.

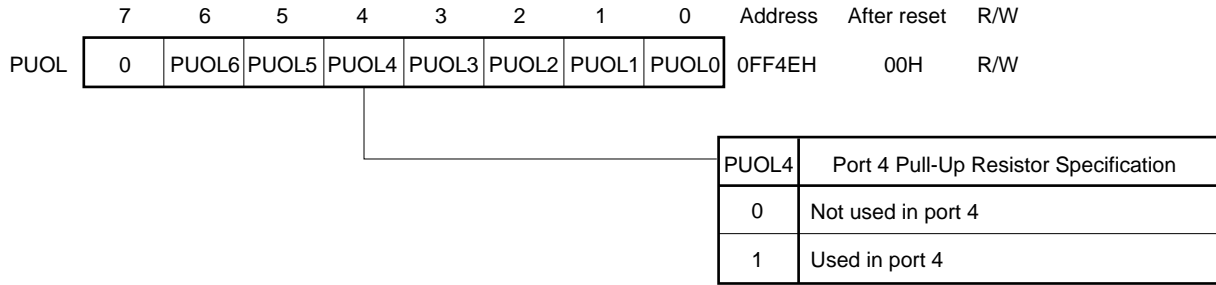
6.6.4 On-chip pull-up resistors

Port 4 incorporates pull-up resistors. Use of these internal resistors when pull-up is necessary enables the number of parts and the mounting area to be reduced.

Whether or not an on-chip pull-up resistor is to be used can be specified for each pin by setting the PUOL4 bit of the pull-up resistor option register L (PUOL) and the port 4 mode register (PM4).

When PUOL4 is 1, the on-chip pull-up resistors of the pins for which input is specified by the PM4 for port 4 (PM4n = 1, n = 0 to 7) are enabled .

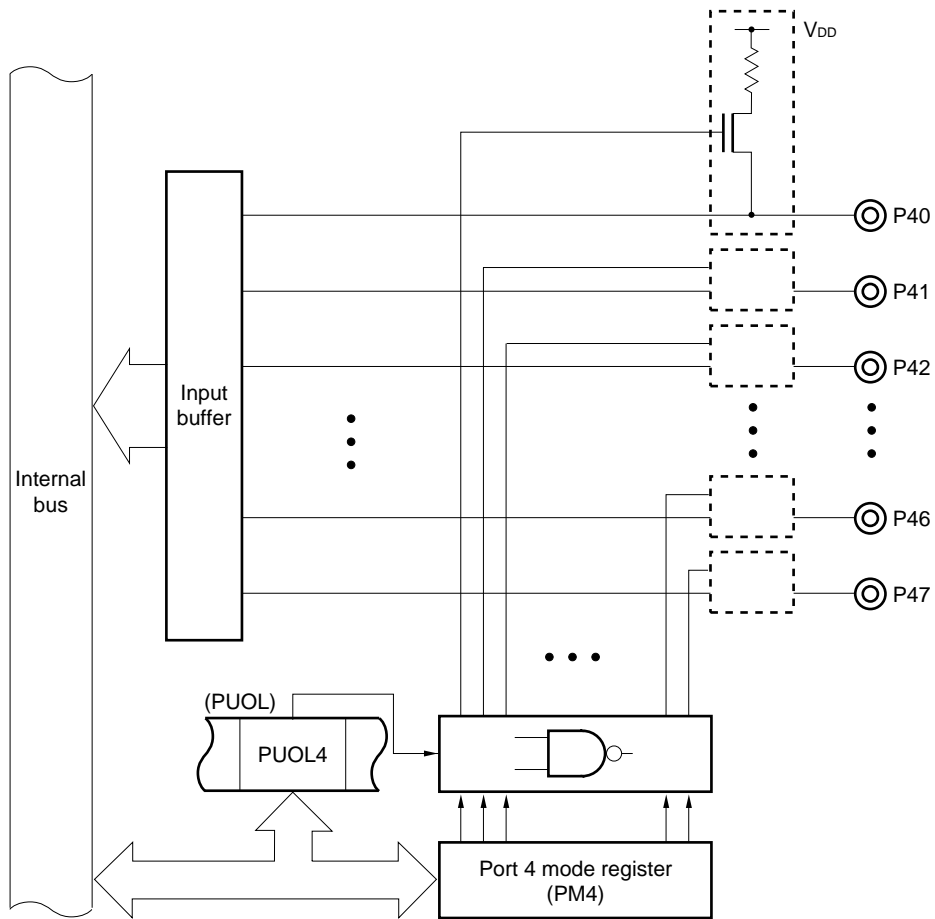
Figure 6-41. Pull-Up Resistor Option Register L (PUOL) Format



Caution When using the port 4 of the μ PD784938 as an address/data bus pin, be sure to clear PUOL4 to 0 to disconnect the on-chip pull-up resistor.

Remark When STOP mode is entered, setting PUOL to 00H is effective for reducing the current consumption.

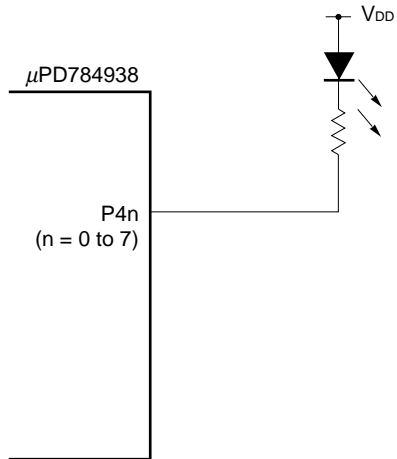
Figure 6-42. Pull-Up Specification (Port 4)



6.6.5 Direct LED drive

In port 4, the output buffer low-level side drive capability has been reinforced, allowing active-low direct LED drive. An example of such use is shown in Figure 6-43.

Figure 6-43. Example of Direct LED Drive



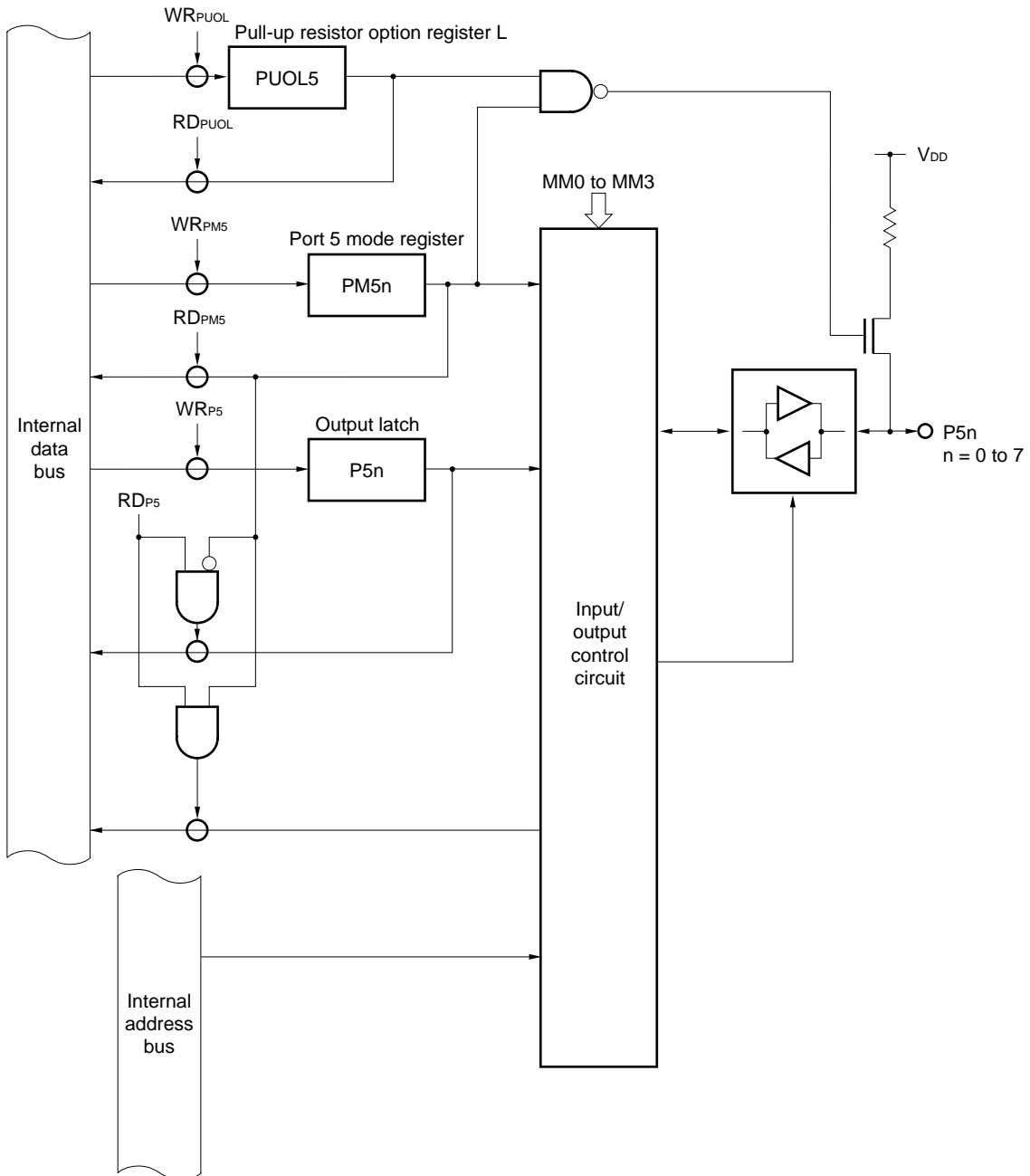
6.7 Port 5

Port 5 is an 8-bit input/output port with an output latch. Input/output can be specified in 1-bit units by setting the port 5 mode register (PM5). Each pin incorporates a software programmable pull-up resistor. This port has direct LED drive capability. In addition, P50 to P57 function as the address bus (A8 to A15) when external memory or I/Os are expanded. When $\overline{\text{RESET}}$ is input, port 5 is set as an input port (output high-impedance state), and the output latch contents are undefined.

6.7.1 Hardware configuration

The port 5 hardware configuration is shown in Figure 6-44.

Figure 6-44. Port 5 Block Diagram



6.7.2 I/O mode/control mode setting

The port 5 input/output mode is set for each pin by setting the port 5 mode register (PM5) as shown in Figure 6-45.

When port 5 pins can be used as port or address pins in 2-bit units, the setting is performed by means of the memory expansion mode register (MM: See Figure 24-1) as shown in Table 6-7.

Figure 6-45. Port 5 Mode Register (PM5) Format

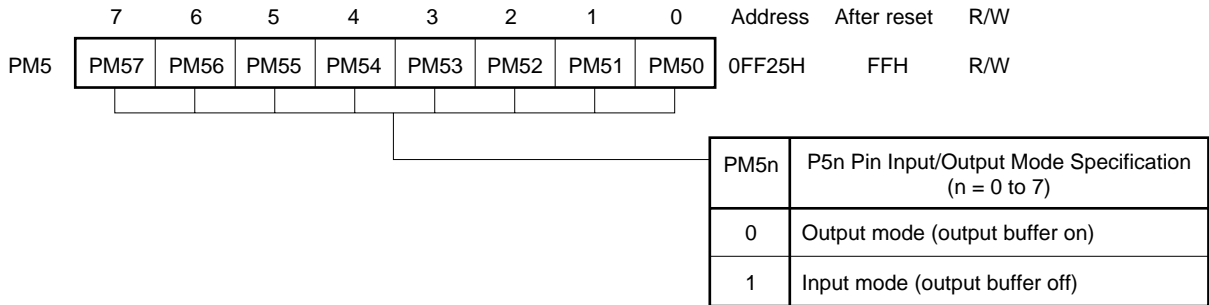


Table 6-7. Port 5 Operation Modes

MM Bits				Operation Mode							
MM3	MM2	MM1	MM0	P50	P51	P52	P53	P54	P55	P56	P57
0	0	0	0	Port (P50 to P57)							
0	0	1	1								
0	1	0	0	A8	A9	Port					
0	1	0	1	A8	A9	A10	A11	Port			
0	1	1	0	A8	A9	A10	A11	A12	A13	Port	
0	1	1	1	A8	A9	A10	A11	A12	A13	A14	A15
1	0	0	0								
1	0	0	1								

6.7.3 Operating status

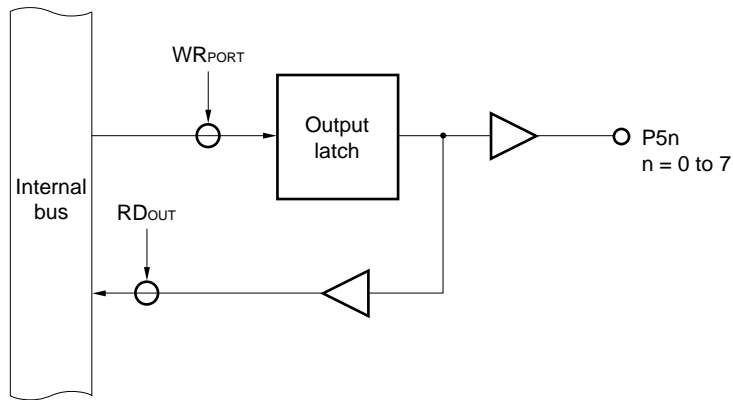
Port 5 is an input/output port, with an alternate function as the address bus (A8 to A15).

(1) When set as an output port

The output latch is enabled, and data transfers between the output latch and accumulator are performed by means of transfer instructions. The output latch contents can be freely set by means of logical operation instructions. Once data has been written to the output latch, it is retained until data is next written to the output latch^{Note}.

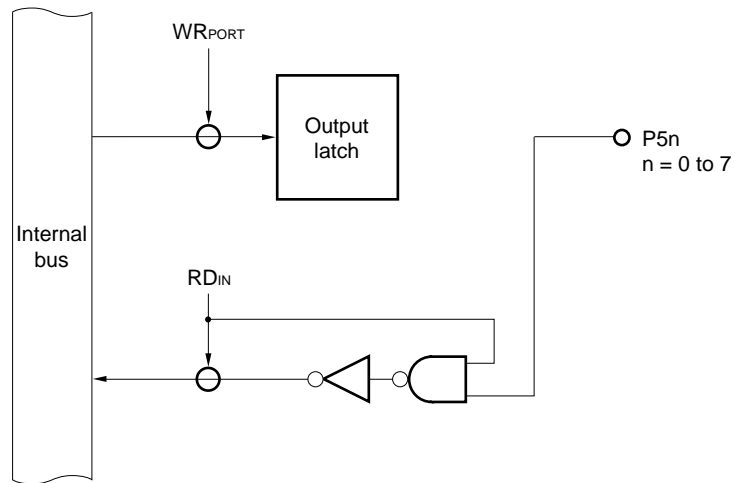
Note Including the case where another bit of the same port is manipulated by a bit manipulation instruction.

Figure 6-46. Port Specified as Output Port



(2) When set as an input port

The port pin level can be loaded into an accumulator by means of a transfer instruction. In this case, too, writes can be performed to the output latch, and data transferred from the accumulator by a transfer instruction, etc., is stored in all output latches irrespective of the port input/output specification. However, since the output buffer of a bit specified as an input port is high-impedance, the data is not output to the port pin (when a bit specified as input is switched to an output port, the output latch contents are output to the port pin). Also, the contents of the output latch of a bit specified as an input port cannot be loaded into an accumulator.

Figure 6-47. Port Specified as Input Port

Caution A bit manipulation instruction manipulates one bit as the result, but accesses the port in 8-bit units. Therefore, if a bit manipulation instruction is used on a port with a mixture of input and output, the contents of the output latch of pins specified as inputs will be undefined (excluding bits manipulated with a SET1 or CLR1 instruction, etc.). Particular care is required when there are bits which are switched between input and output.

Caution is also required when manipulating the port with other 8-bit arithmetic instructions.

(3) When used as address bus (A8 to A15)

Used automatically when an external address is accessed.

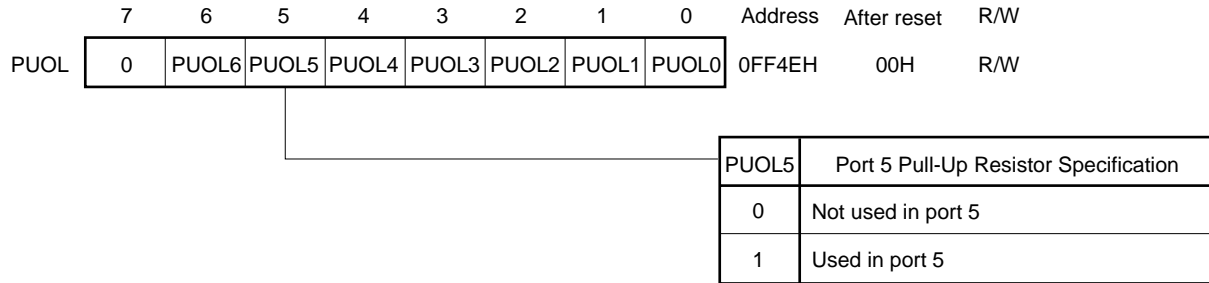
6.7.4 On-chip pull-up resistors

Port 5 incorporates pull-up resistors. Use of these internal resistors when pull-up is necessary enables the number of parts and the mounting area to be reduced.

Whether or not an on-chip pull-up resistor is to be used can be specified for each pin by setting the PUOL5 bit of the pull-up resistor option register L (PUOL) and the port 5 mode register (PM5).

When PUOL5 is 1, the on-chip pull-up resistors of the pins for which input is specified by the PM5 for port 5 (PM5n = 1, n = 0 to 7) are enabled .

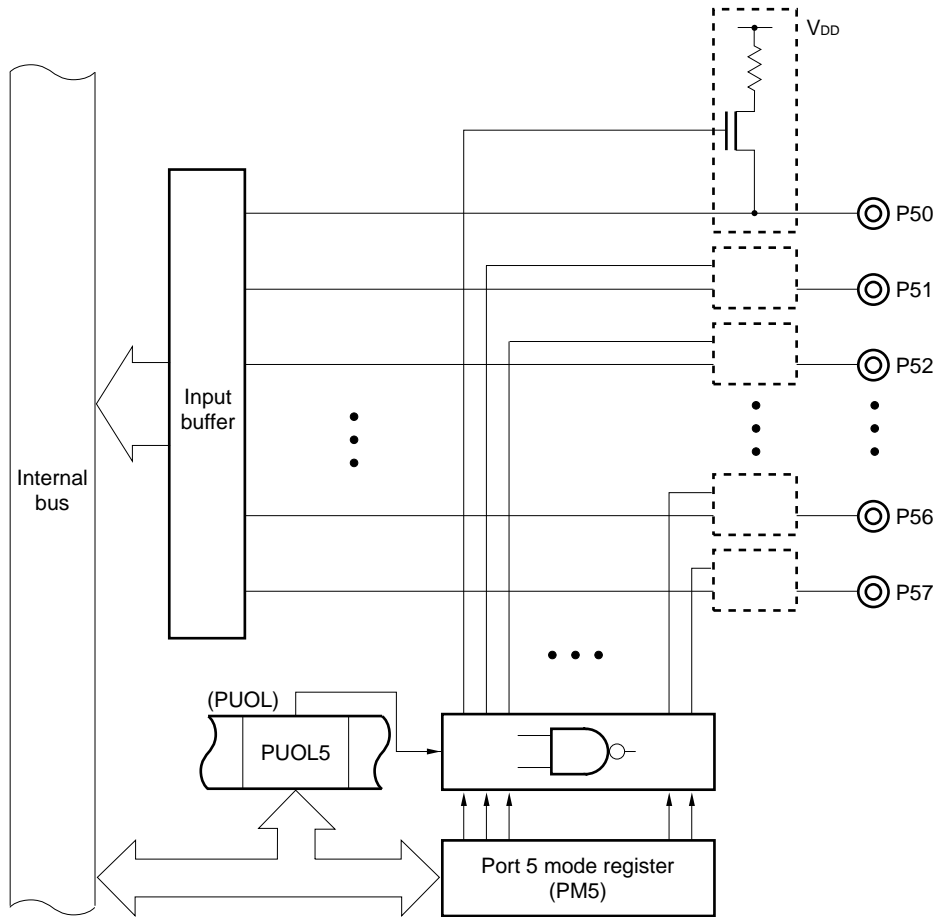
Figure 6-48. Pull-Up Resistor Option Register L (PUOL) Format



Caution When using the port 5 of the μ PD784938 as an address bus, be sure to clear PUOL5 to 0 to disconnect the on-chip pull-up resistor.

Remark When STOP mode is entered, setting PUOL to 00H is effective for reducing the current consumption.

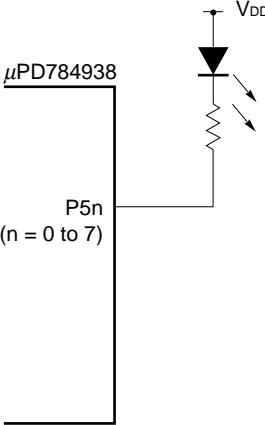
Figure 6-49. Pull-Up Specification (Port 5)



6.7.5 Direct LED drive

In port 5, the output buffer low-level side drive capability has been reinforced, allowing active-low direct LED drive. An example of such use is shown in Figure 6-50.

Figure 6-50. Example of Direct LED Drive



6.8 Port 6

Port 6 is an 8-bit input/output port with an output latch. P60 to P67 incorporate a software programmable pull-up resistor. In addition to its function as a port, port 6 also has various alternate-function control signal pin functions as shown in Table 6-8. Operations as control pins are performed by the respective function operations.

When $\overline{\text{RESET}}$ is input, P60 to P67 are set as input port pins (output high-impedance state), and the output latch contents are undefined.

Table 6-8. Port 6 Operation Modes

Pin Name	Port Mode	Control Signal Input/ Output Mode	Operation to Operate as Control Pins
P60 to P63	Input/output ports	A16 to A19 outputs	Specified by bits MM3 to MM0 of the MM in 2-bit units
P64		$\overline{\text{RD}}$ output	External memory expansion mode is specified by bits MM3 to MM0 of the MM
P65		$\overline{\text{WR}}$ output	
P66		$\overline{\text{WAIT}}$ input	Specified by bits PWN1 & PWN0 (n = 0 to 7) of the PWC1 & PWC2 or setting P66 in the input mode
		HLDRQ input	Bus hold enabled by the HLDE bit of the HLDM
P67		HLDAK output	
			$\overline{\text{REFRQ}}$ output

6.8.1 Hardware configuration

The port 6 hardware configuration is shown in Figures 6-51 to 6-54.

Figure 6-51. P60 to P63 (Port 6) Block Diagram

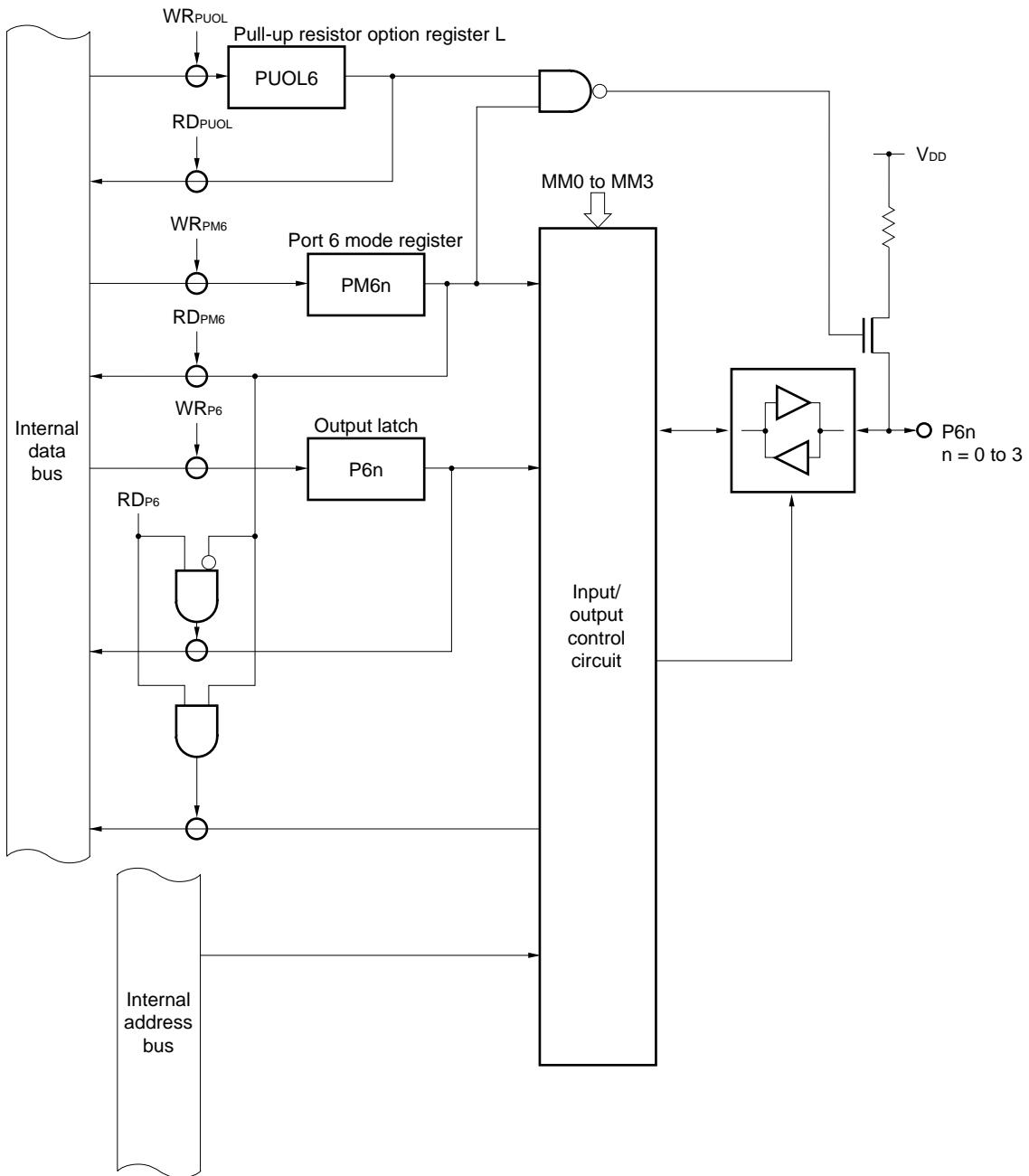


Figure 6-52. P64 and P65 (Port 6) Block Diagram

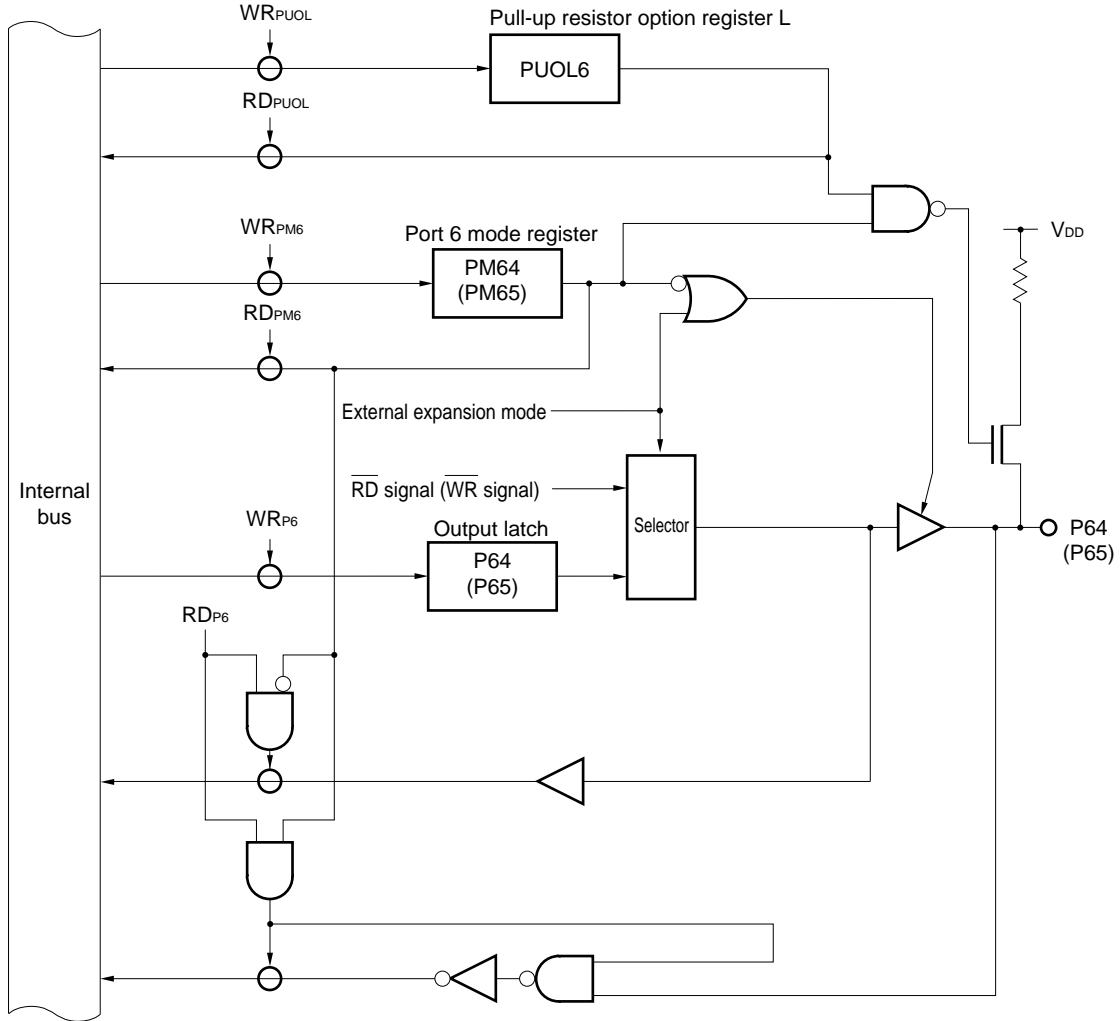


Figure 6-53. P66 (Port 6) Block Diagram

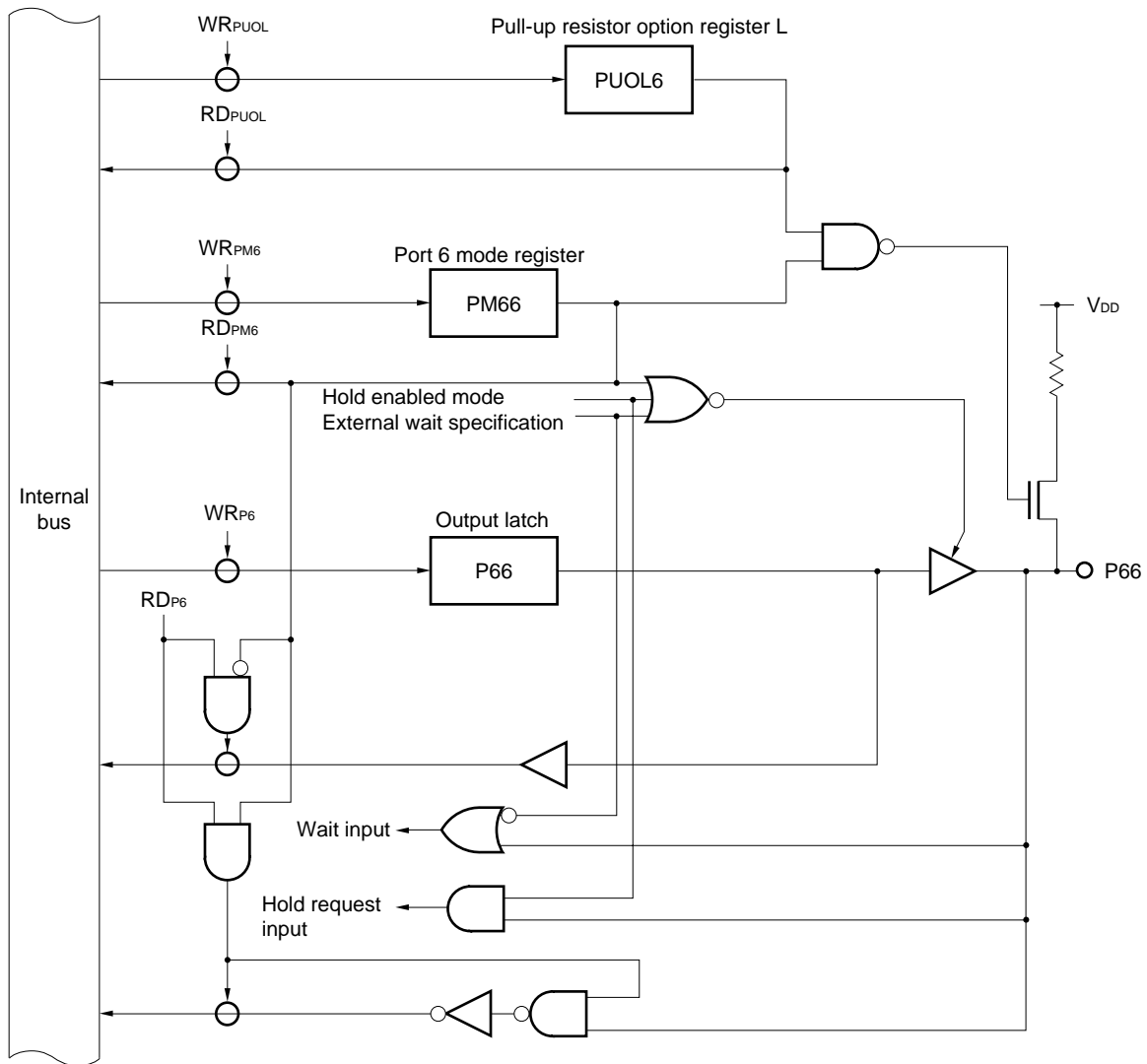
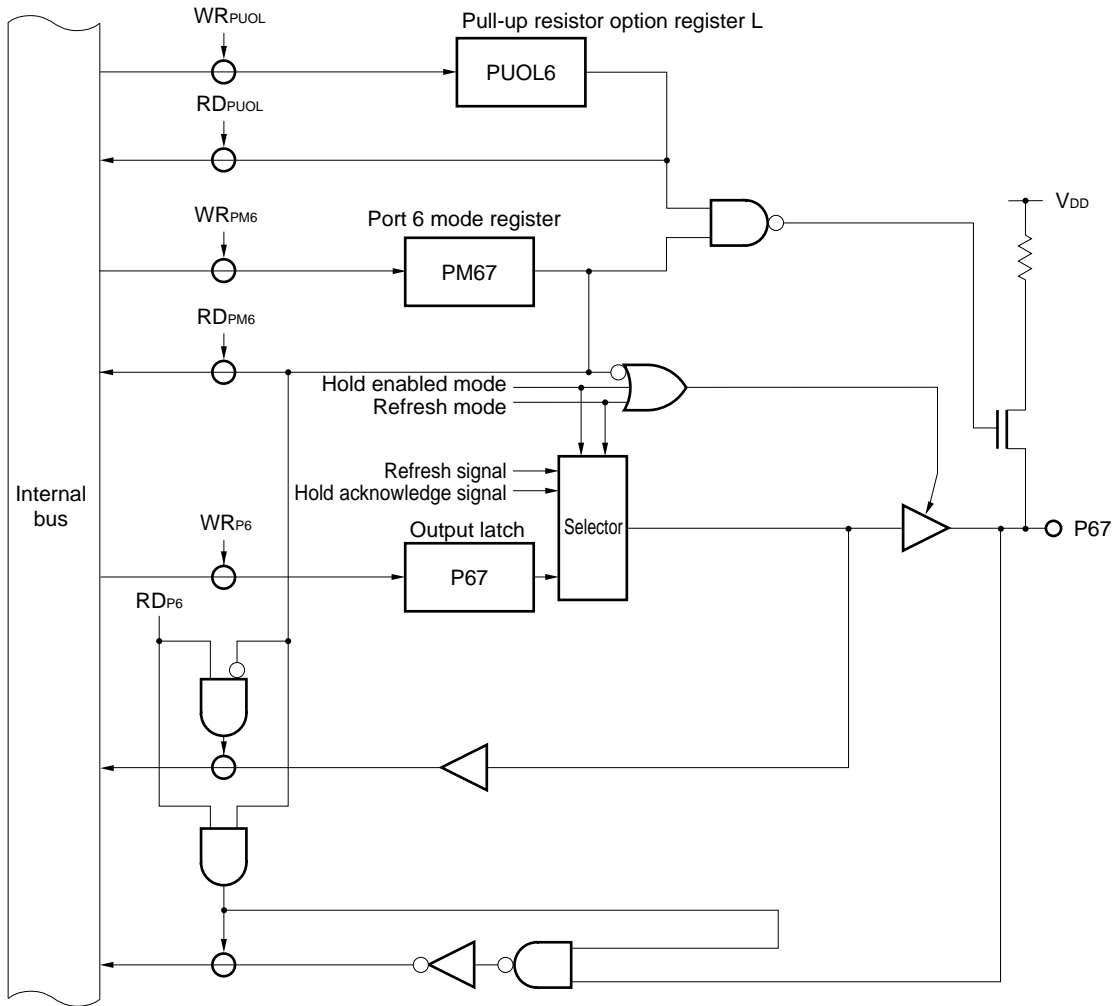


Figure 6-54. P67 (Port 6) Block Diagram



6.8.2 I/O mode/control mode setting

The port 6 input/output mode is set by setting the port 6 mode register (PM6) as shown in Figure 6-55.

Operations for operating port 6 as control pins are shown in Table 6-9.

Table 6-9. Port 6 Control Pin Function

Pin Name	Control Signal I/O Mode	Port Mode	Operation to Operate as Control Pins
P60	A16	Input/output port	External memory expansion mode specified by bits MM3 to MM0 of the MM (see Table 6-10)
P61	A17		
P62	A18		
P63	A19		
P64	\overline{RD}	Output port	External memory expansion mode specified by bits MM3 to MM0 of the MM (see Table 6-10)
P65	\overline{WR}		
P66	\overline{WAIT}	Input/output port	External wait input is specified by bits PWn1 & PWn0 (n = 0 to 7) of the PWC1 & PWC2
	HLDRQ		Bus hold enabled by the HLDE bit of the HLDM
P67	HLDK	Output port	Set (to 1) the RFEN bit of the RFM
	\overline{REFRQ}		

Table 6-10. P60 to P65 Control Pin Specification

MM Bits				Operation Mode					
MM3	MM2	MM1	MM0	P60	P61	P62	P63	P64	P65
0	0	0	0	Port (P60 to P65)					
0	0	1	1						
0	1	0	0	Port (P60 to P63)				\overline{RD}	\overline{WR}
0	1	0	1						
0	1	1	0						
0	1	1	1						
1	0	0	0	A16	A17	Port			
1	0	0	1	A16	A17	A18	A19		

(a) Port mode

Each port not specified as in control mode can be specified as input/output in 1-bit units by setting the port 6 mode register (PM6).

(b) Control signal input/output mode

(i) A16 to A19 (Address Bus)

Upper address bus output pins when the external memory space is expanded (10000H to FFFFFH). These pins operate in accordance with the memory expansion mode register (MM).

(ii) **$\overline{\text{RD}}$ (Read Strobe)**

The strobe signal for an external memory read operation. The operation of this pin is controlled by the memory expansion mode register (MM).

(iii) **$\overline{\text{WR}}$ (Write Strobe)**

Pin that outputs the strobe signal for an external memory write operation. The operation of this pin is controlled by the memory expansion mode register (MM).

(iv) **$\overline{\text{WAIT}}$ (Wait)**

Wait signal input pin. Operates in accordance with the programmable wait control registers (PWC1, PWC2).

(v) **HLDRQ (Hold Request)**

External bus hold request signal input pin. Operates in accordance with the hold mode register (HLDM).

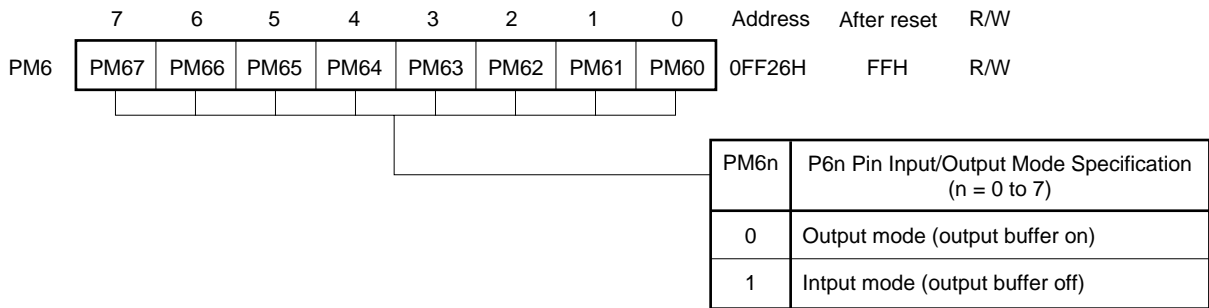
(vi) **HLDAK (Hold Acknowledge)**

Bus hold acknowledge signal output pin. Operates in accordance with the hold mode register (HLDM).

(vii) **$\overline{\text{REFRQ}}$ (Refresh Request)**

This pin outputs refresh pulses to pseudo-static memory when this memory is connected to it externally. Operates in accordance with the refresh mode register (RFM).

Figure 6-55. Port 6 Mode Register (PM6) Format



6.8.3 Operating status

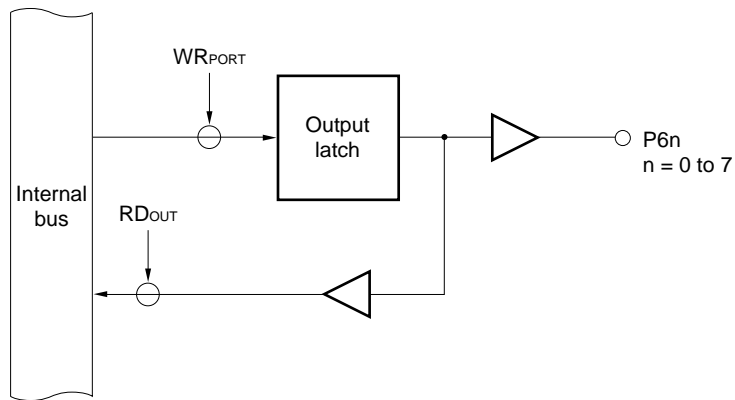
Port 6 is an input/output port, with an alternate function as various control pins.

(1) When set as an output port

The output latch is enabled, and data transfers between the output latch and accumulator are performed by means of transfer instructions. The output latch contents can be freely set by means of logical operation instructions. Once data has been written to the output latch, it is retained until data is next written to the output latch^{Note}.

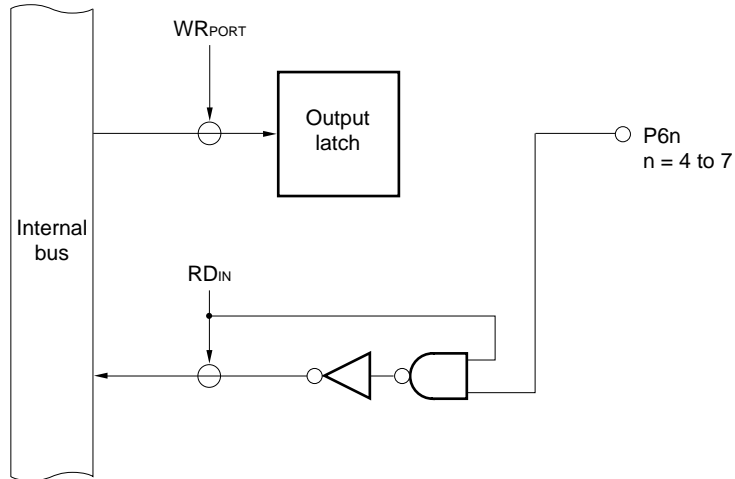
Note Including the case where another bit of the same port is manipulated by a bit manipulation instruction.

Figure 6-56. Port Specified as Output Port



(2) When set as an input port

The port pin level can be loaded into an accumulator by means of a transfer instruction. In this case, too, writes can be performed to the output latch, and data transferred from the accumulator by a transfer instruction, etc., is stored in all output latches irrespective of the port input/output specification. However, since the output buffer of a bit specified as an input port is high-impedance, the data is not output to the port pin (when a bit specified as input is switched to an output port, the output latch contents are output to the port pin). Also, the contents of the output latch of a bit specified as an input port cannot be loaded into an accumulator.

Figure 6-57. Port Specified as Input Port

Caution A bit manipulation instruction manipulates one bit as the result, but accesses the port in 8-bit units. Therefore, if a bit manipulation instruction is used on a port with a mixture of input and output pins, or port mode and control mode, the contents of the output latch of pins specified as inputs or pins specified as in the control mode will be undefined (excluding bits manipulated with a SET1 or CLR1 instruction, etc.). Particular care is required when there are bits which are switched between input and output.

Caution is also required when manipulating the port with other 8-bit arithmetic instructions.

(3) When used as control pins

Cannot be manipulated or tested by software.

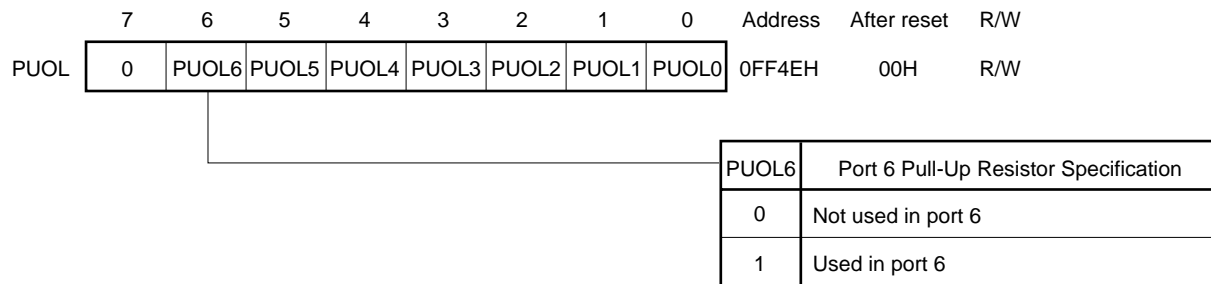
6.8.4 On-chip pull-up resistors

P60 to P67 incorporate pull-up resistors. Use of these internal resistors when pull-up is necessary enables the number of parts and the mounting area to be reduced.

Whether or not an on-chip pull-up resistor is to be used can be specified for each pin by setting the PUOL6 bit of the pull-up resistor option register L (PUOL) and the port 6 mode register (PM6).

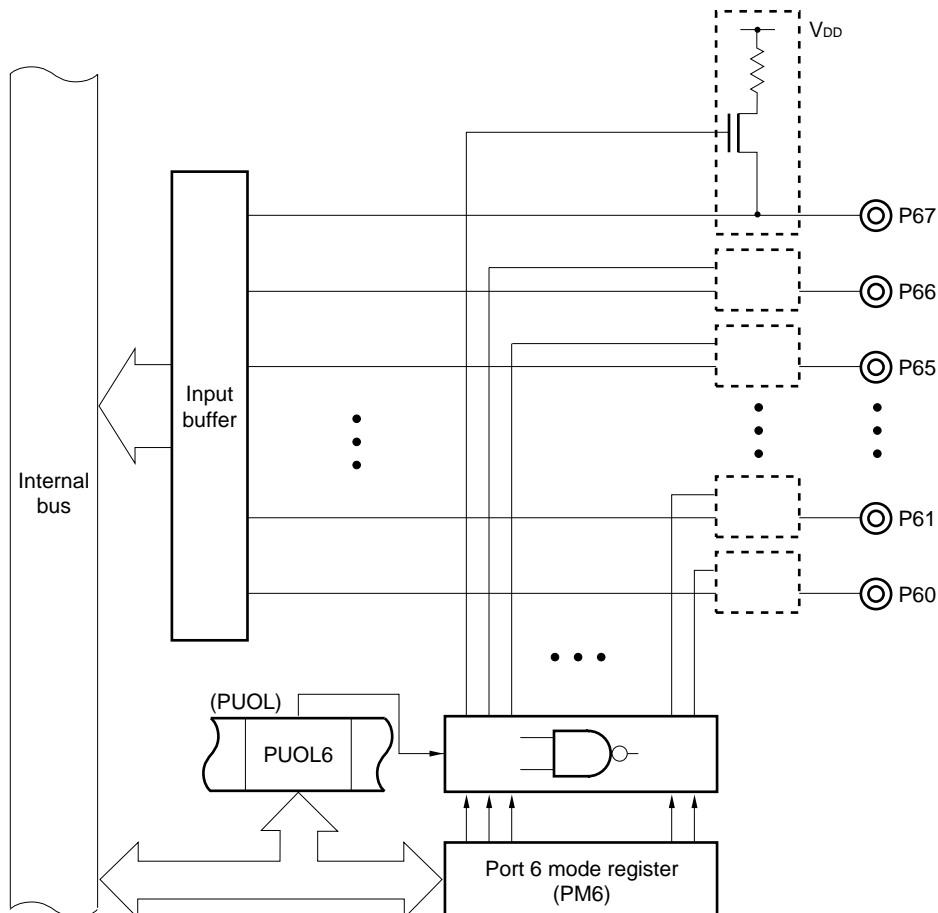
When PUOL6 is 1, the on-chip pull-up resistors of the pins for which input is specified by the PM6 (PM6n = 1, n = 0 to 7) are enabled.

Figure 6-58. Pull-Up Resistor Option Register L (PUOL) Format



Remark When STOP mode is entered, setting PUOL to 00H is effective for reducing the current consumption.

Figure 6-59. Pull-Up Specification (Port 6)



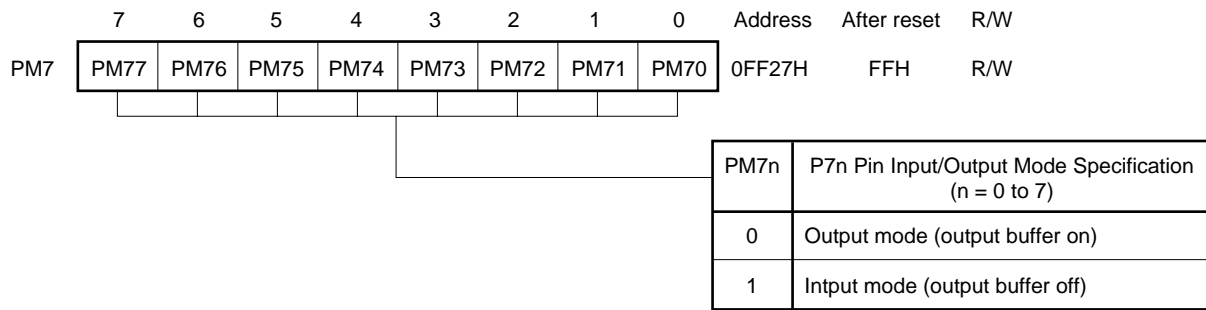
6.9.2 I/O mode/control mode setting

The port 7 input/output mode is set for each pin by setting the port 7 mode register (PM7) as shown in Figure 6-61.

In addition to the operation of port 7 as an input/output port, analog signal input can be performed at any time. Mode setting is not necessary.

Specification of the A/D conversion operation is performed by ADM of the A/D converter (see **CHAPTER 16 A/D CONVERTER** for details).

Figure 6-61. Port 7 Mode Register (PM7) Format



6.9.3 Operating status

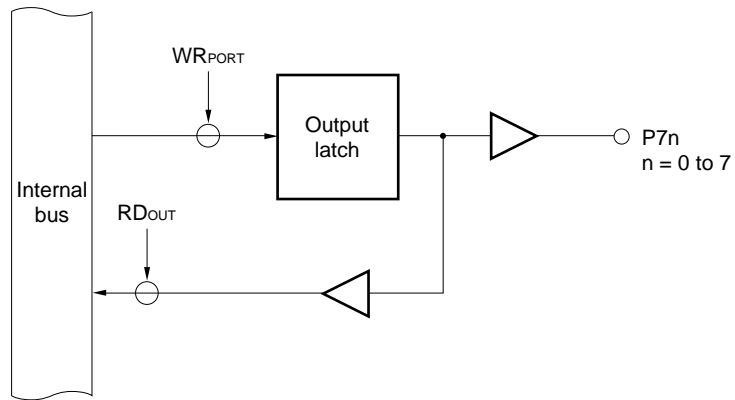
Port 7 is an input/output port, with an alternate function as the A/D converter analog input pins (ANI0 to ANI7).

(1) When set as an output port

The output latch is enabled, and data transfers between the output latch and accumulator are performed by means of transfer instructions. The output latch contents can be freely set by means of logical operation instructions. Once data has been written to the output latch, it is retained until data is next written to the output latch^{Note}.

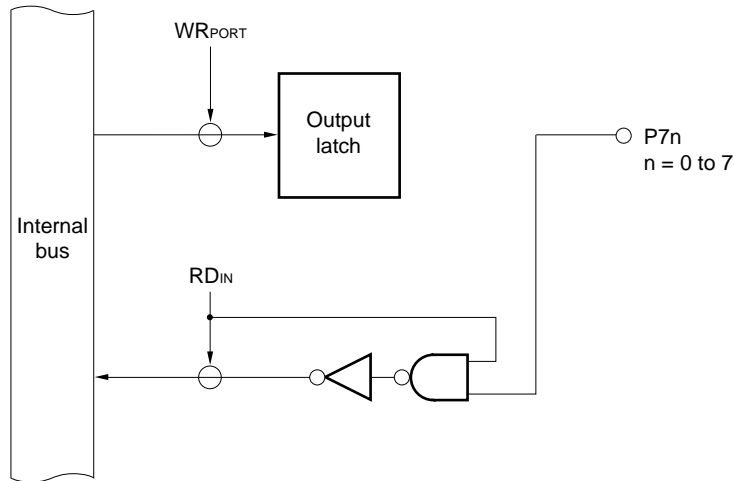
Note Including the case where another bit of the same port is manipulated by a bit manipulation instruction.

Figure 6-62. Port Specified as Output Port



(2) When set as an input port

The port pin level can be loaded into an accumulator by means of a transfer instruction. In this case, too, writes can be performed to the output latch, and data transferred from the accumulator by a transfer instruction, etc., is stored in all output latches—irrespective of the port input/output specification. However, since the output buffer of a bit specified as an input port is high-impedance, the data is not output to the port pin (when a bit specified as input is switched to an output port, the output latch contents are output to the port pin). Also, the contents of the output latch of a bit specified as an input port cannot be loaded into an accumulator.

Figure 6-63. Port Specified as Input Port

Caution A bit manipulation instruction manipulates one bit as the result, but accesses the port in 8-bit units. Therefore, if a bit manipulation instruction is used on a port with a mixture of input and output pins, the contents of the output latch of pins specified as inputs will be undefined (excluding bits manipulated with a SET1 or CLR1 instruction, etc.). Particular care is required when there are bits which are switched between input and output.

Caution is also required when manipulating the port with other 8-bit arithmetic instructions.

6.9.4 On-chip pull-up resistors

Port 7 does not incorporate pull-up resistors.

6.9.5 Caution

A voltage outside the range AV_{SS} to AV_{REF} must not be applied to pins for which P70 to P77 are used as ANI0 to AN17. See 16.6 Cautions in CHAPTER 16 A/D CONVERTER for details.

6.10 Port 9

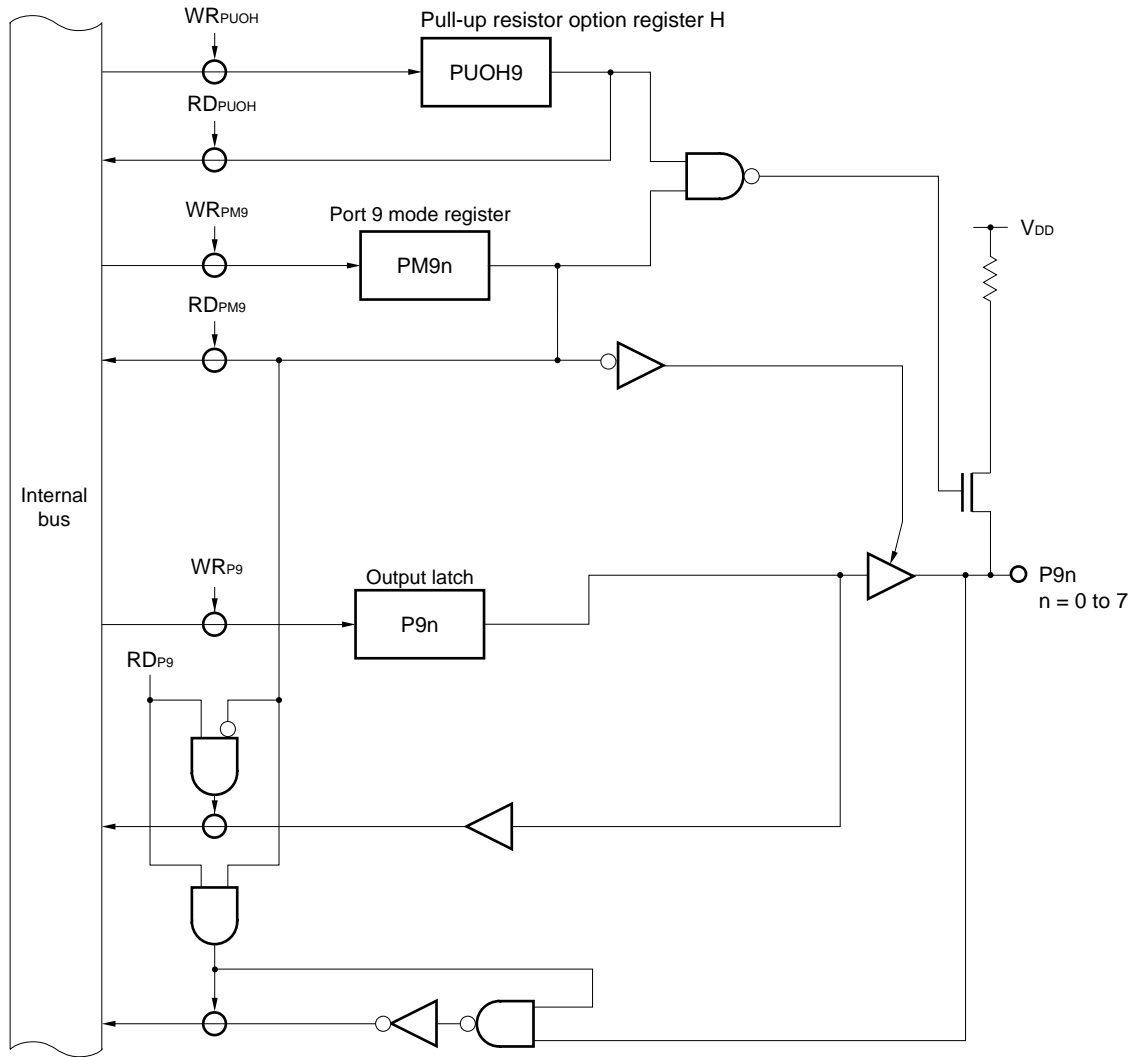
Port 9 is an 8-bit input/output port with an output latch. Input/output can be specified in 1-bit units by setting the port 9 mode register (PM9). Each pin incorporates a software programmable pull-up resistor.

When $\overline{\text{RESET}}$ is input, port 9 is set as an input port (output high-impedance state), and the output latch contents are undefined.

6.10.1 Hardware configuration

The port 9 hardware configuration is shown in Figure 6-64.

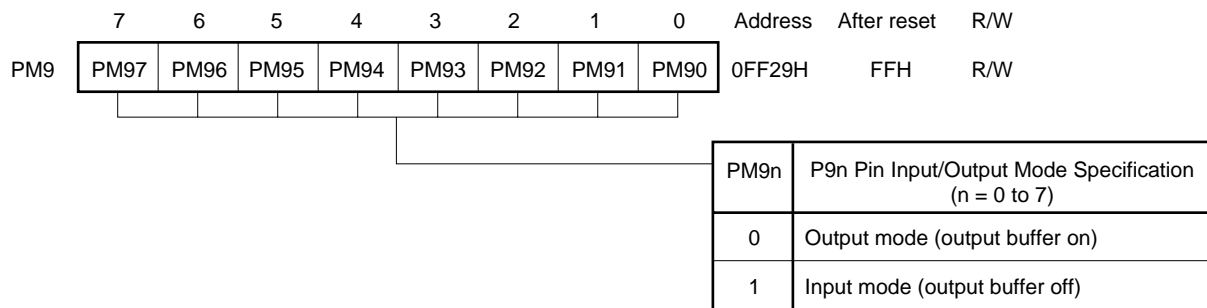
Figure 6-64. Port 9 Block Diagram



6.10.2 I/O mode/control mode setting

The port 9 input/output mode is set for each pin by setting the port 9 mode register (PM9) as shown in Figure 6-65.

Figure 6-65. Port 9 Mode Register (PM9) Format



6.10.3 Operating status

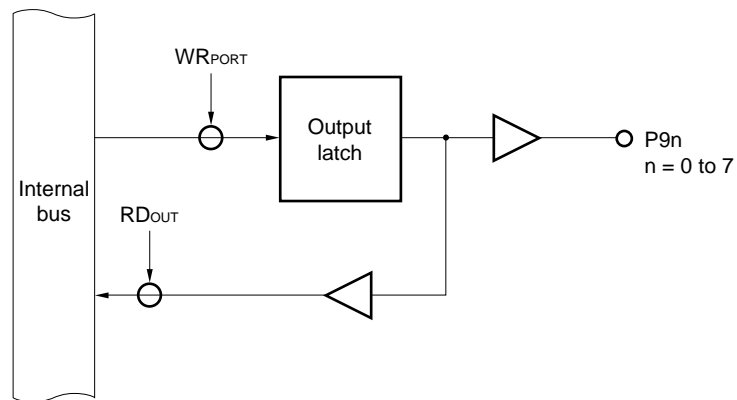
Port 9 is an input/output port.

(1) When set as an output port

The output latch is enabled, and data transfers between the output latch and accumulator are performed by means of transfer instructions. The output latch contents can be freely set by means of logical operation instructions. Once data has been written to the output latch, it is retained until data is next written to the output latch^{Note}.

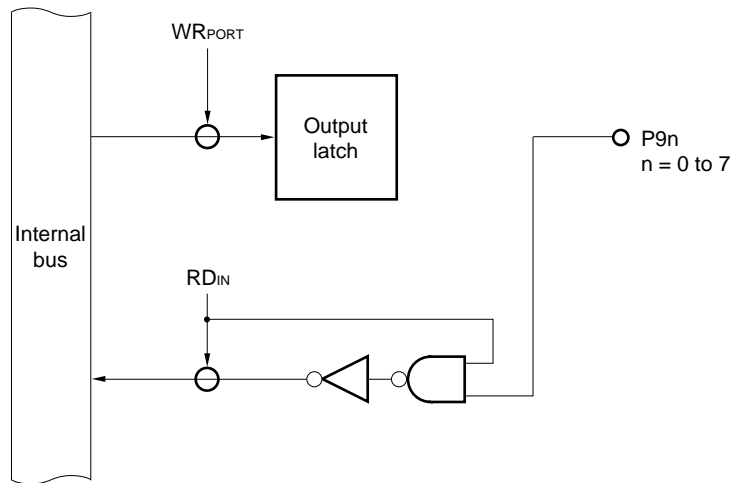
Note Including the case where another bit of the same port is manipulated by a bit manipulation instruction.

Figure 6-66. Port Specified as Output Port



(2) When set as an input port

The port pin level can be loaded into an accumulator by means of a transfer instruction. In this case, too, writes can be performed to the output latch, and data transferred from the accumulator by a transfer instruction, etc., is stored in all output latches irrespective of the port input/output specification. However, since the output buffer of a bit specified as an input port is high-impedance, the data is not output to the port pin (when a bit specified as input is switched to an output port, the output latch contents are output to the port pin). Also, the contents of the output latch of a bit specified as an input port cannot be loaded into an accumulator.

Figure 6-67. Port Specified as Input Port

Caution A bit manipulation instruction manipulates one bit as the result, but accesses the port in 8-bit units. Therefore, if a bit manipulation instruction is used on a port with a mixture of input and output, the contents of the output latch of pins specified as inputs will be undefined (excluding bits manipulated with a SET1 or CLR1 instruction, etc.). Particular care is required when there are bits which are switched between input and output.

Caution is also required when manipulating the port with other 8-bit arithmetic instructions.

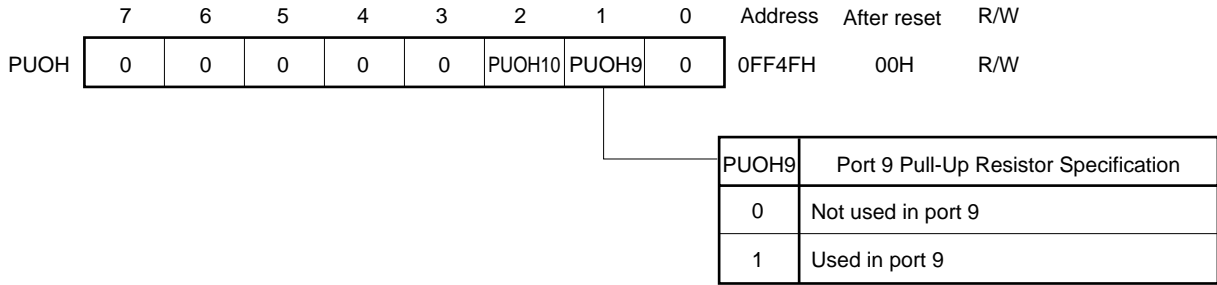
6.10.4 On-chip pull-up resistors

Port 9 incorporates pull-up resistors. Use of these internal resistors when pull-up is necessary enables the number of parts and the mounting area to be reduced.

Whether or not an on-chip pull-up resistor is to be used can be specified for each pin by setting the PUOH9 bit of the pull-up resistor option register H (PUOH) and the port 9 mode register (PM9).

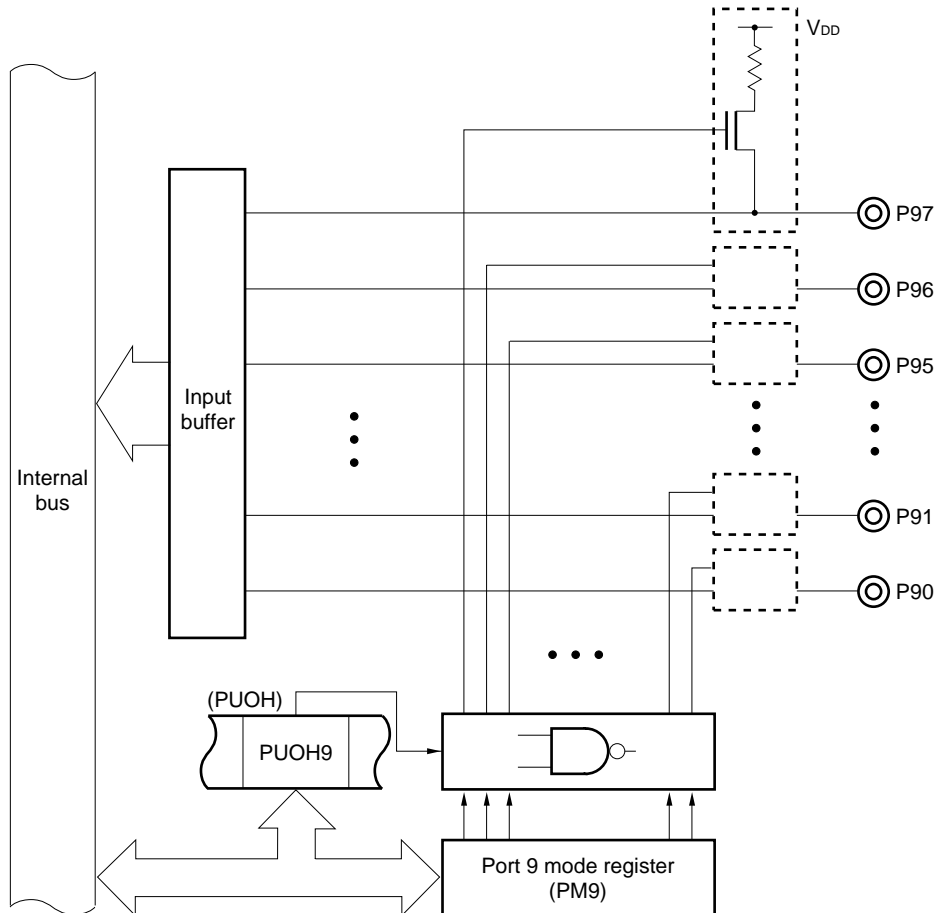
When PUOH9 is 1, the on-chip pull-up resistors of the pins for which input is specified by the PM9 for port 9 (PM9n = 1, n = 0 to 7) are enabled.

Figure 6-68. Pull-Up Resistor Option Register H (PUOH) Format



Remark When STOP mode is entered, setting PUOH to 00H is effective for reducing the current consumption.

Figure 6-69. Pull-Up Specification (Port 9)



6.11 Port 10

Port 10 is an 8-bit input/output port with an output latch. Input/output can be specified in 1-bit units by setting the port 10 mode register (PM10). Each pin incorporates a software programmable pull-up resistor. P105 and P107 can be set in the N-ch open-drain mode.

In addition to its function as an input/output port, port 10 also has an alternate function as serial interface pin.

The operation mode can be specified bit-wise by setting the port 10 mode control register (PMC10), as shown in Table 6-11. The pin level of all pins can always be read or tested regardless of the alternate-function pin operation.

When $\overline{\text{RESET}}$ is input, port 10 is set as an input port (output high-impedance state), and the output latch contents are undefined.

Table 6-11. Port 10 Operation Modes

(n = 0 to 7)

Mode	Port Mode	Control Signal Input/Output Mode
Setting Condition	PMC10n = 0	PMC10n = 1
P100 to P104	Input/output port	—
P105		SCK3 input/output
P106		SI3 input
P107		SO3 output

(a) Port mode

Each port specified as port mode by the port 10 mode control register (PMC10) can be specified as input/output in 1-bit units by setting the port 10 mode register (PM10).

(b) Control signal input/output mode

Pins can be set as control pins in 1-bit units by setting the port 10 mode control register (PMC10).

(i) $\overline{\text{SCK3}}$ (Serial Clock 3)

SCK3 is the clocked serial interface serial clock input/output pin (in 3-wire serial I/O 3 mode).

(ii) SI3 (Serial Input 3)

SI3 is the serial data input pin (in 3-wire serial I/O 3 mode).

(iii) SO3 (Serial Output 3)

SO3 is the serial data output pin (in 3-wire serial I/O 3 mode).

6.11.1 Hardware configuration

The port 10 hardware configuration is shown in Figures 6-70 to 6-73.

Figure 6-70. P100 to P104 (Port 10) Block Diagram

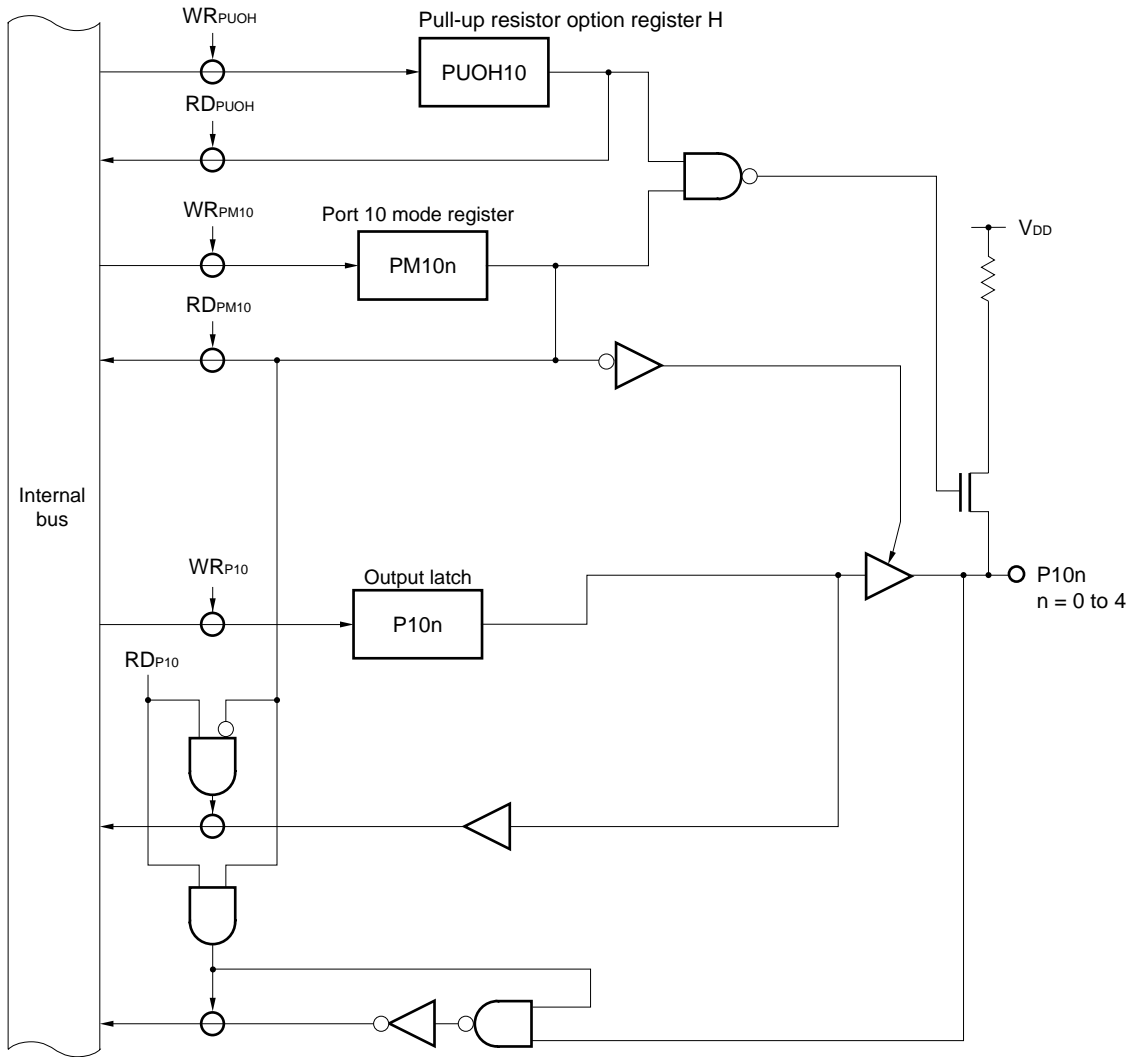


Figure 6-71. P105 (Port 10) Block Diagram

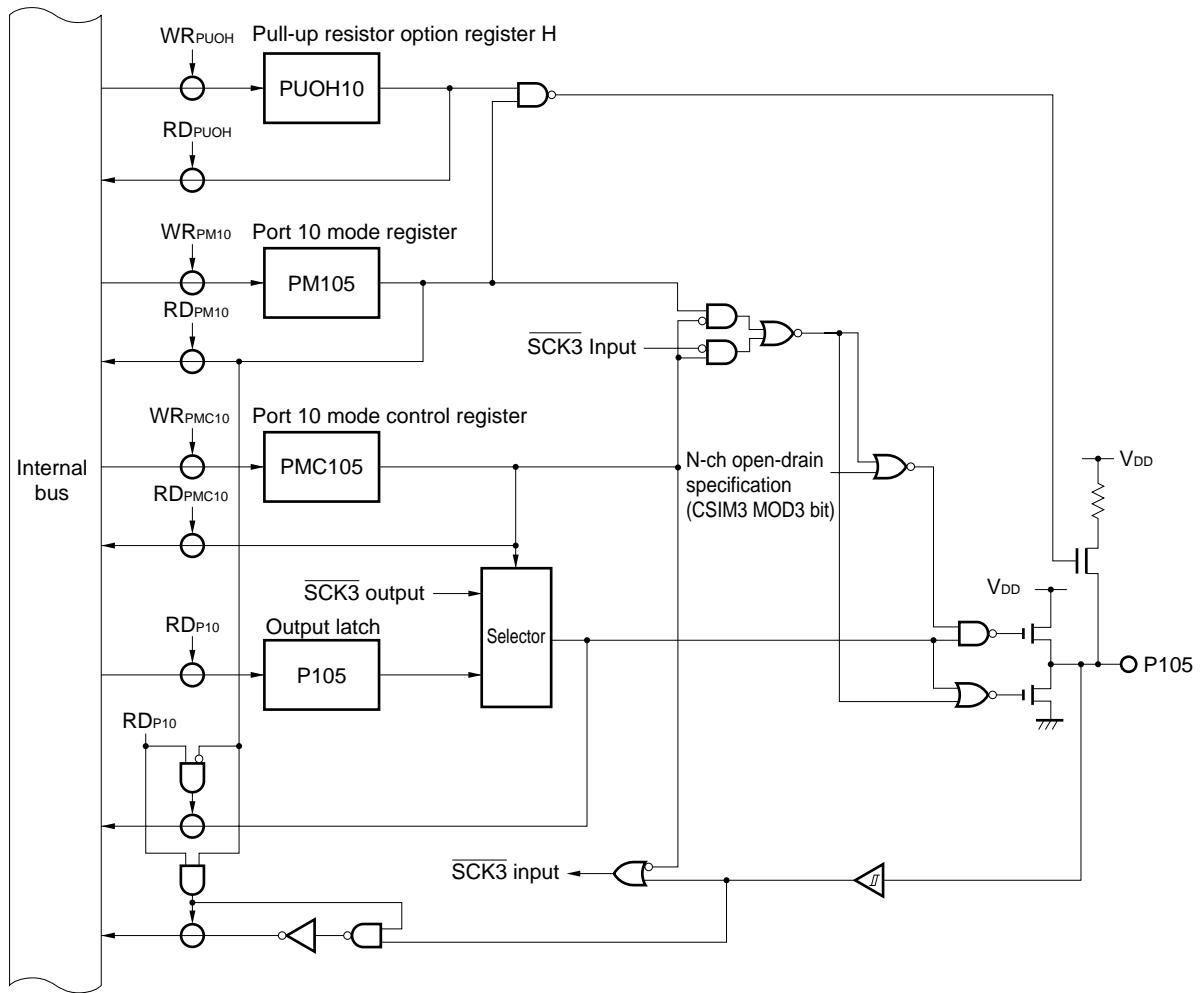


Figure 6-72. P106 (Port 10) Block Diagram

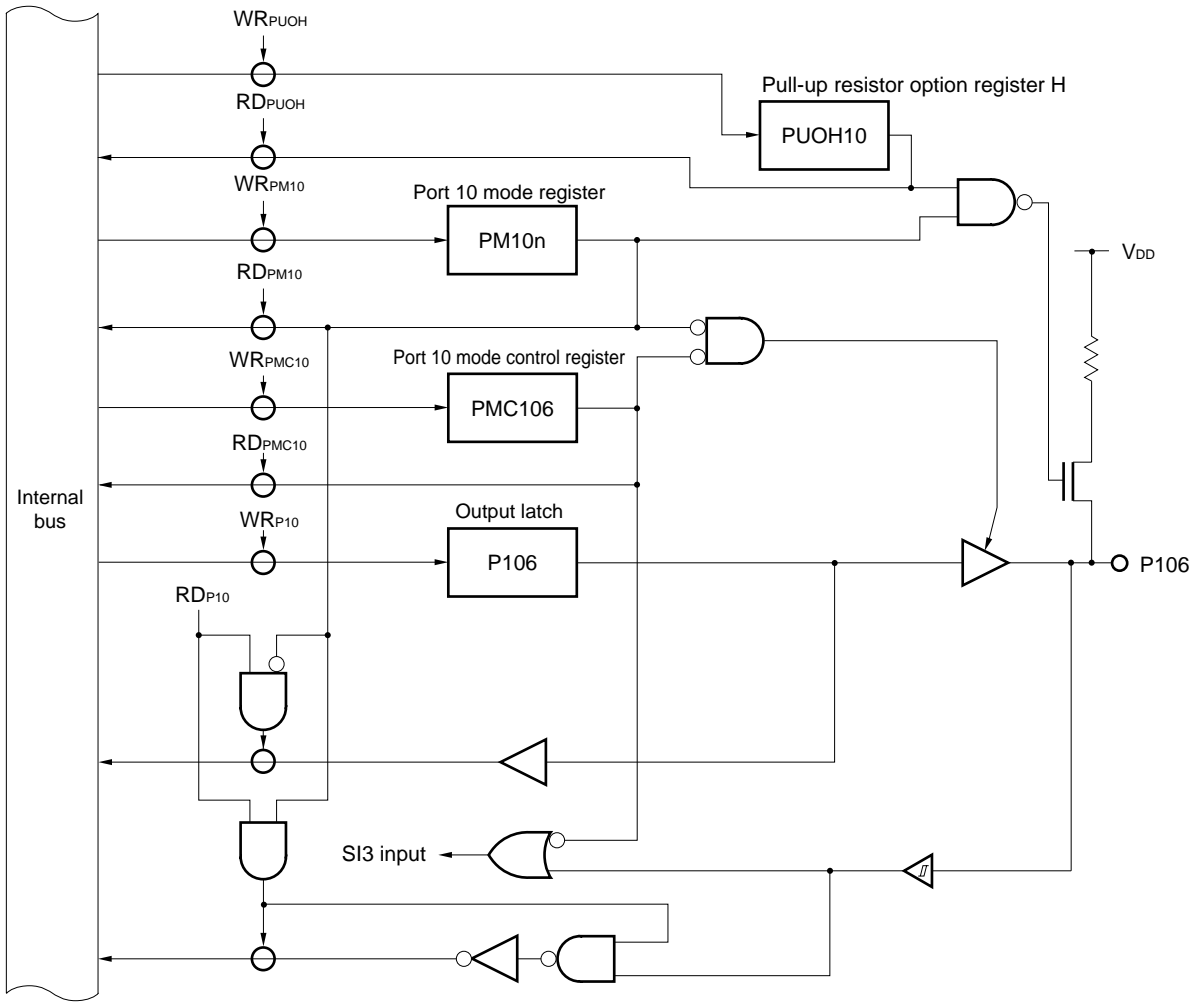
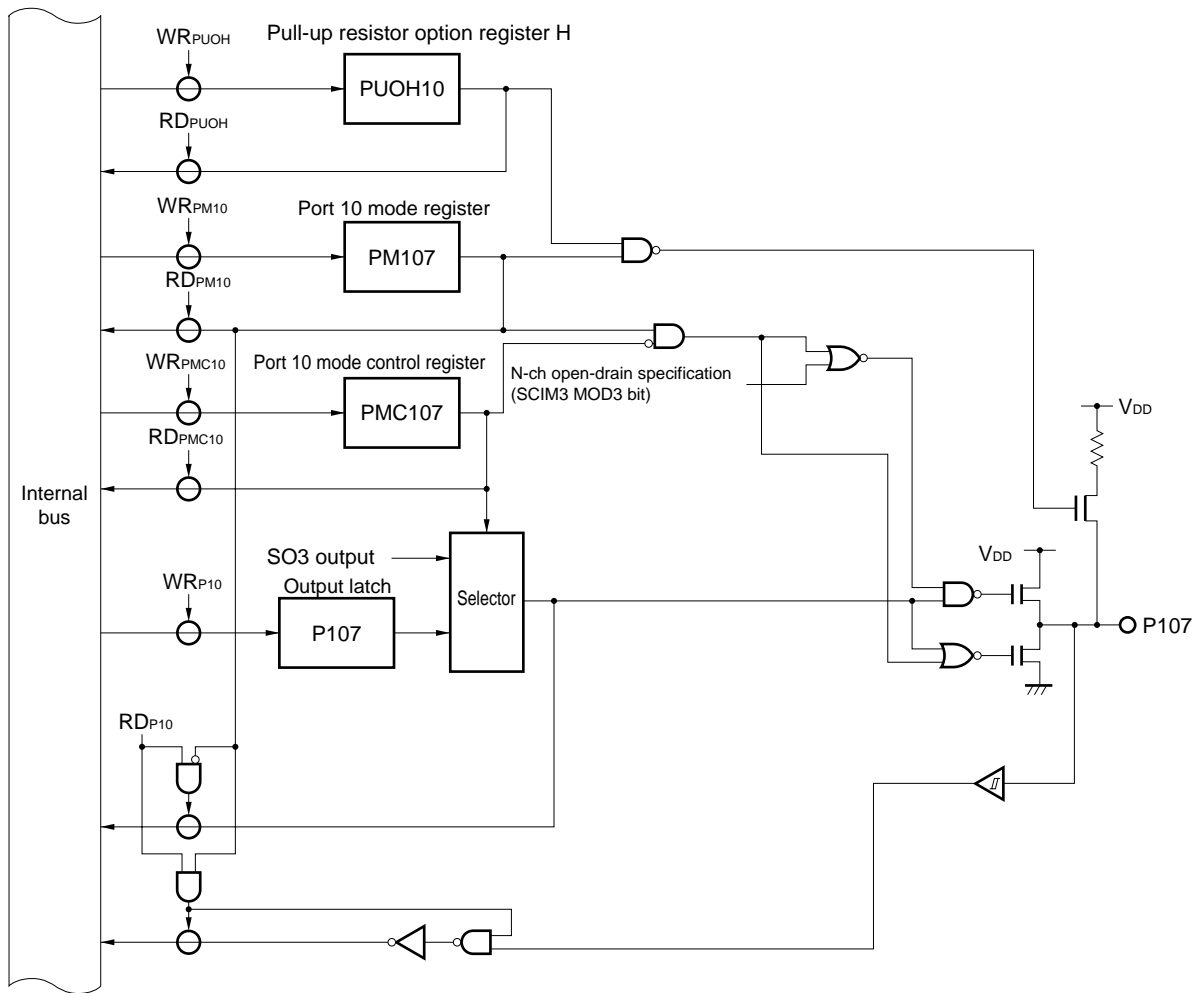


Figure 6-73. P107 (Port 10) Block Diagram



6.11.2 I/O mode/control mode setting

The port 10 input/output mode is set for each pin by means of the port 10 mode register (PM10) as shown in Figure 6-74. In addition to their input/output port function, port 10 also have an alternate function as serial interface pin, and the control mode is specified by setting the port 10 mode control register (PMC10) as shown in Figure 6-75.

Figure 6-74. Port 10 Mode Register (PM10) Format

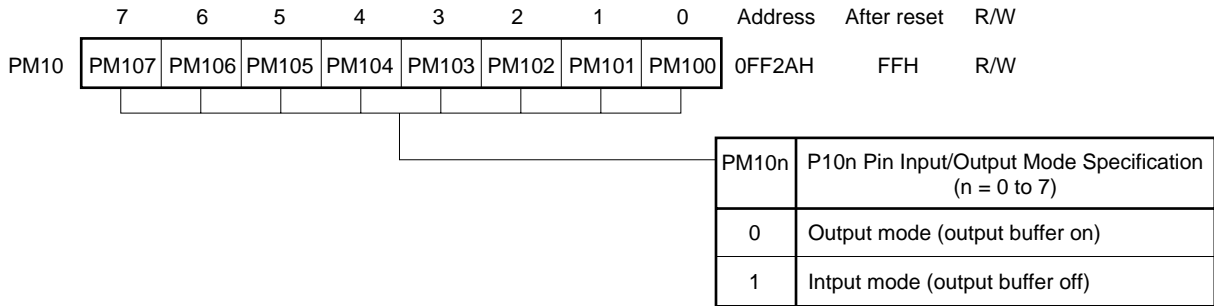
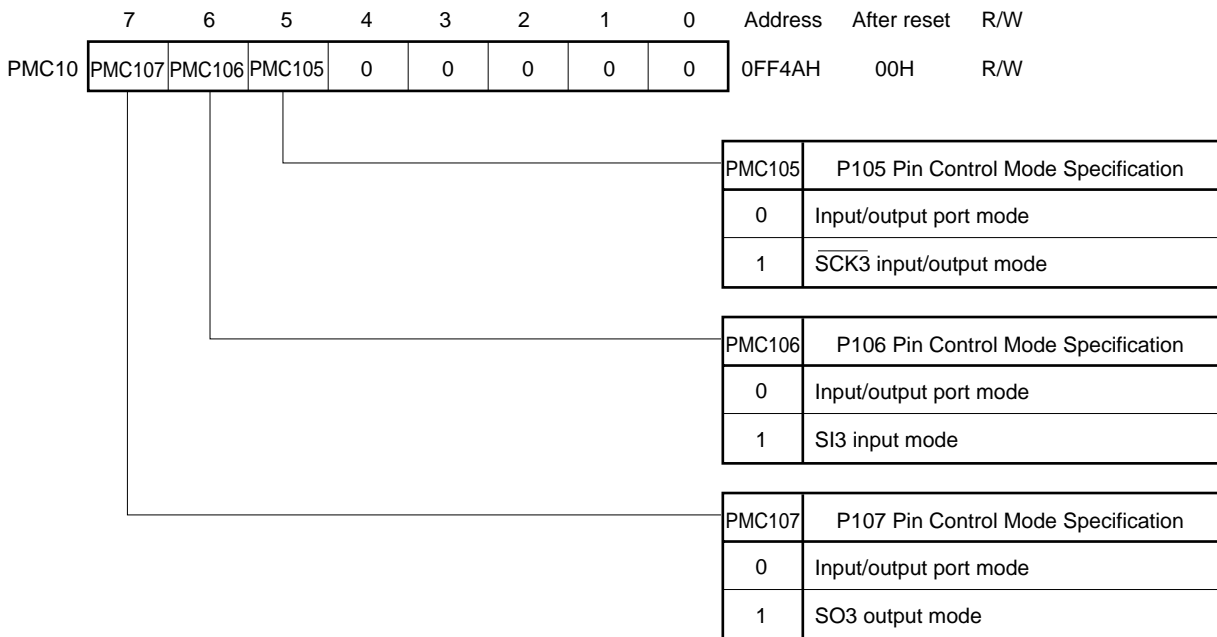


Figure 6-75. Port 10 Mode Control Register (PMC10) Format



6.11.3 Operating status

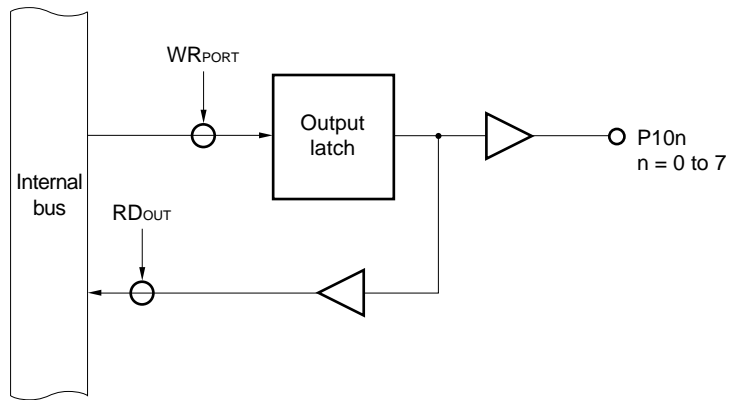
Port 10 is an input/output port, with an alternate function as various control pins.

(1) When set as an output port

The output latch is enabled, and data transfers between the output latch and accumulator are performed by means of transfer instructions. The output latch contents can be freely set by means of logical operation instructions. Once data has been written to the output latch, it is retained until data is next written to the output latch^{Note}.

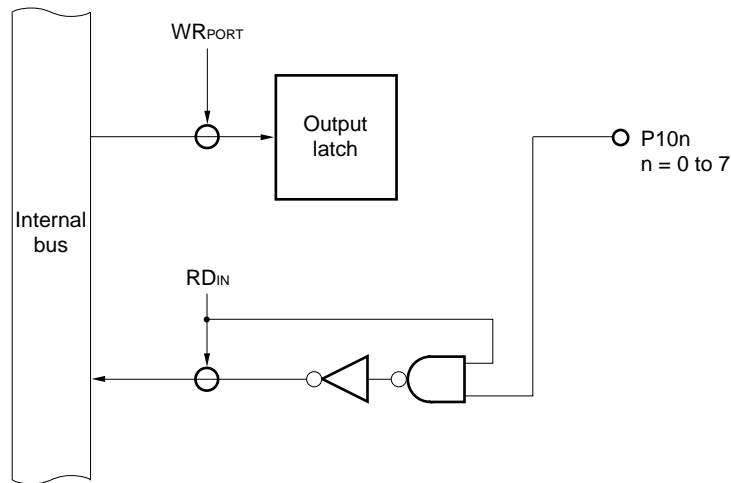
Note Including the case where another bit of the same port is manipulated by a bit manipulation instruction.

Figure 6-76. Port Specified as Output Port



(2) When set as an input port

The port pin level can be loaded into an accumulator by means of a transfer instruction. In this case, too, writes can be performed to the output latch, and data transferred from the accumulator by a transfer instruction, etc., is stored in all output latches irrespective of the port input/output specification. However, since the output buffer of a bit specified as an input port is high impedance, the data is not output to the port pin (when a bit specified as input is switched to an output port, the output latch contents are output to the port pin). Also, the contents of the output latch of a bit specified as an input port cannot be loaded into an accumulator.

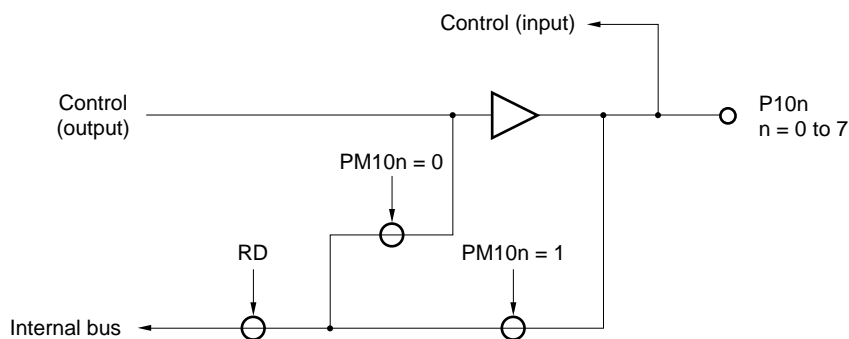
Figure 6-77. Port Specified as Input Port

Caution A bit manipulation instruction manipulates one bit as the result, but accesses the port in 8-bit units. Therefore, if a bit manipulation instruction is used on a port with a mixture of input and output pins or port mode and control mode, the contents of the output latch of pins specified as inputs and pins specified as control mode will be undefined (excluding bits manipulated with a SET1 or CLR1 instruction, etc.). Particular care is required when there are bits which are switched between input and output.

Caution is also required when manipulating the port with other 8-bit arithmetic instructions.

(3) When specified as control signal input/output

By setting (to 1) bits of the port 10 mode control register (PMC10), port 10 can be used as control signal input or output in 1-bit units irrespective of the setting of the port 10 mode register (PM10). When a pin is used as a control signal, the control signal status can be seen by executing a port read instruction.

Figure 6-78. Control Specification**(a) When port is control signal output**

When the port 10 mode register (PM10) is set (to 1), the control signal pin level can be read by executing a port read instruction.

When PM10 is reset (to 0), the μ PD784938 internal control signal status can be read by executing a port read instruction.

(b) When port is control signal input

Only the port 10 mode register (PM10) is set (to 1), control signal pin levels can be read by executing a port read instruction.

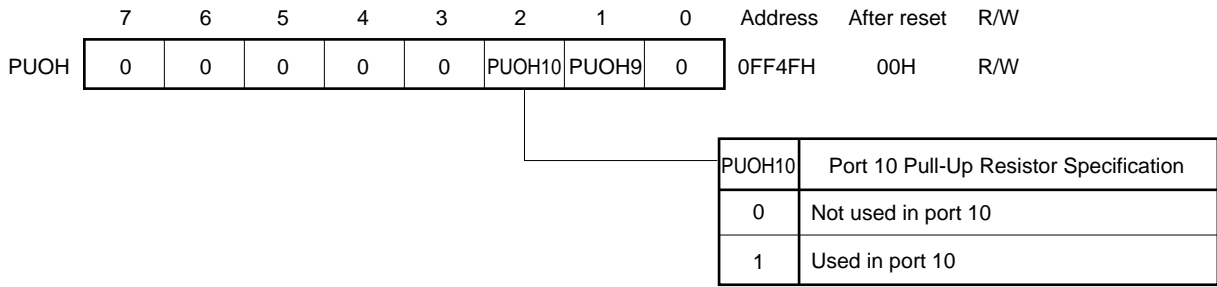
6.11.4 On-chip pull-up resistors

Port 10 incorporates pull-up resistors. Use of these internal resistors when pull-up is necessary enables the number of parts and the mounting area to be reduced.

Whether or not an on-chip pull-up resistor is to be used can be specified for each pin by setting the PUOH10 bit of the pull-up resistor option register H (PUOH) and the port 10 mode register (PM10). When PUOH10 is 1, the on-chip pull-up resistors of the pins for which input is specified by PM10 ($PM10n = 1, n = 0$ to 7) are enabled.

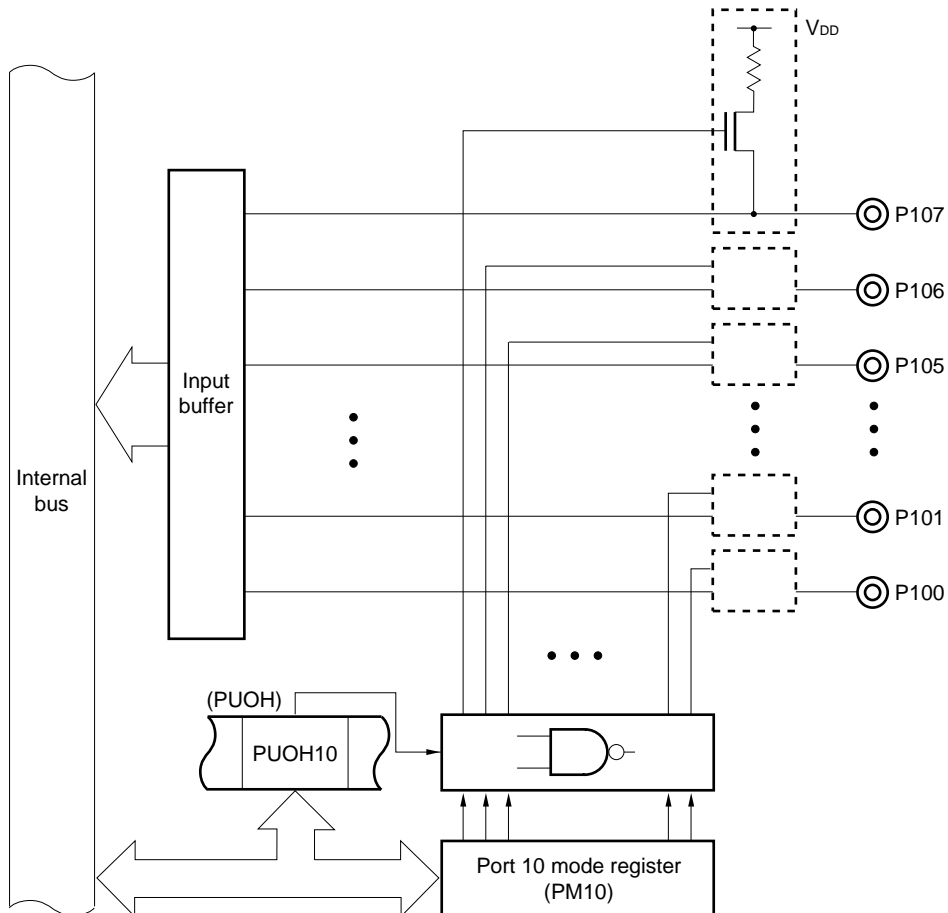
Also, the specification for use of the pull-up resistor is also valid for pins specified as control mode pins (pull-up resistors are also connected to pins that function as output pins in the control mode). Therefore, if you do not want to connect the pull-up resistors in the control mode, the contents of the corresponding bits of PM10 should be set to 0 (output mode).

Figure 6-79. Pull-Up Resistor Option Register H (PUOH) Format



Remark When STOP mode is entered, setting PUOH to 00H is effective for reducing the current consumption.

Figure 6-80. Pull-Up Specification (Port 10)



6.12 Port Output Check Function

The μ PD784938 has a function for reading and testing output port pin levels in order to improve the reliability of application systems. It is therefore possible to check the output data and the actual pin status as required. If there is a mismatch, appropriate action can be taken, such as replacement with another system.

Special instructions, CHKL and CHKLA, are provided to check the port status. These instructions perform a comparison by taking the exclusive OR of the pin status and the output latch contents (in port mode), or the pin status and the internal control output signal level (in control mode).

Example An example of a program that checks the pin status and output latch contents using the CHKL instruction and CHKLA instruction is as follows.

```

TEST :   SET1   P0.3           ; Set bit 3 of port 0
        CHKL   P0             ; Check port 0
        BNE   $ERR1          ; Branch to error processing (ERR1) in case of mismatch with output
                                latch contents
        .
        .
        .
ERR1 :   CHKLA  P0             ; Faulty bit check
        BT    A.7, $BIT07     ; Bit 7?
        BT    A.6, $BIT06     ; Bit 6?
        .
        .
        .
        BT    A.1, $BIT01     ; Bit 1?
        BR    $BIT00          ; If none of the bits, bit 0 is faulty

```

- Cautions**
1. If each port is set to input mode, a comparison of the pin status with the output latch contents (or control output level) using the CHKL or CHKLA instruction will always show a match whether the individual pins of the port are port pins or control pins. Therefore, executing these instructions on a port set to input mode is actually ineffective.
 2. If the output levels of a port in which control outputs and port outputs are mixed in a single port are checked with the CHKL or CHKLA instruction, the input/output mode of control output pins should be set to input mode before executing these instructions (as the output levels of control outputs vary asynchronously, the output level cannot be checked with the CHKL or CHKLA instruction).
 3. As port 2 is an input-only port, a comparison of the pin status with the output latch contents using the CHKL or CHKLA instruction will always show a match. Therefore, executing these instructions on port 2 is actually ineffective.

6.13 Cautions

- (1) All port pins become high-impedance after $\overline{\text{RESET}}$ signal input (on-chip pull-up resistors are disconnected from the pins).
If there is a problem with pins becoming high-impedance during $\overline{\text{RESET}}$ input, this should be handled with external circuitry.
- (2) Bit 7 of the pull-up resistor option register (PUO) that sets the on-chip pull-up resistor connection is fixed at 0, but if “1” is written to bit 7 of the PUO in the in-circuit emulator, “1” will be read.
- (3) Output latch contents are not initialized by $\overline{\text{RESET}}$ input. When a port is used as an output port, the output latch must be initialized without fail before turning on the output buffer. If the output latch is not initialized before turning on the output buffer, unexpected data will be output to the output port.
Similarly, for pins used as control pins, internal peripheral hardware initialization must be performed before performing the control pin specification.
- (4) As P22 to P26 are not pulled up immediately after a reset, an interrupt request flag may be set depending on the function of the alternate-function pins (INTP1 to INTP5). Therefore, the interrupt request flags should be cleared after specifying pull-up in the initialization routine.
- (5) When P40 to P47 and P50 to P57 are used as the address/data bus and address bus respectively in the $\mu\text{PD784938}$, bits PUO4 and PUO5 of the pull-up resistor option register (PUO) must be set to “0” so that on-chip pull-up resistor connection is not performed.
- (6) A voltage outside the range AV_{SS} to AV_{REF} must not be applied to pins for which P70 to P77 are used as ANI0 to ANI7. See **16.6 Cautions** in **CHAPTER 16 A/D CONVERTER** for details.
- (7) A bit manipulation instruction manipulates one bit as the result, but accesses the port in 8-bit units. Therefore, if a bit manipulation instruction is used on a port with a mixture of input and output pins or port mode and control mode, the contents of the output latch of pins specified as inputs or pins specified as in control mode will be undefined (excluding bits manipulated with a SET1 or CLR1 instruction, etc.). Particular care is required when there are bits which are switched between input and output.
Caution is also required when manipulating the port with other 8-bit arithmetic instructions.
- (8) If each port is set to input mode, a comparison of the pin status with the output latch contents (or control output level) using the CHKL or CHKLA instruction will always show a match whether the individual pins of the port are port pins or control pins. Therefore, executing these instructions on a port set to input mode is actually ineffective.
- (9) If the output levels of a port in which control outputs and port outputs are mixed in a single port are checked with the CHKL or CHKLA instruction, the input/output mode of control output pins should be set to input mode before executing these instructions (as the output levels of control outputs vary asynchronously, the output level cannot be checked with the CHKL or CHKLA instruction).
- (10) As port 2 is an input-only port, a comparison of the pin status with the output latch contents using the CHKL or CHKLA instruction will always show a match. Therefore, executing these instructions on port 2 is actually ineffective.

[MEMO]

CHAPTER 7 REAL-TIME OUTPUT FUNCTION

7.1 Configuration and Function

The real-time output function is implemented by hardware, including primarily port 0 and the port 0 buffer registers (P0H, P0L), shown in Figure 7-1.

The real-time output function refers to the transfer to the output latch by hardware of data prepared in the P0H and P0L beforehand, simultaneously with the generation of an interrupt from timer/event counter 1 or external interrupt, and its output off-chip. The pins that output the data off-chip are called real-time output ports.

The following two kinds of real-time output data are handled:

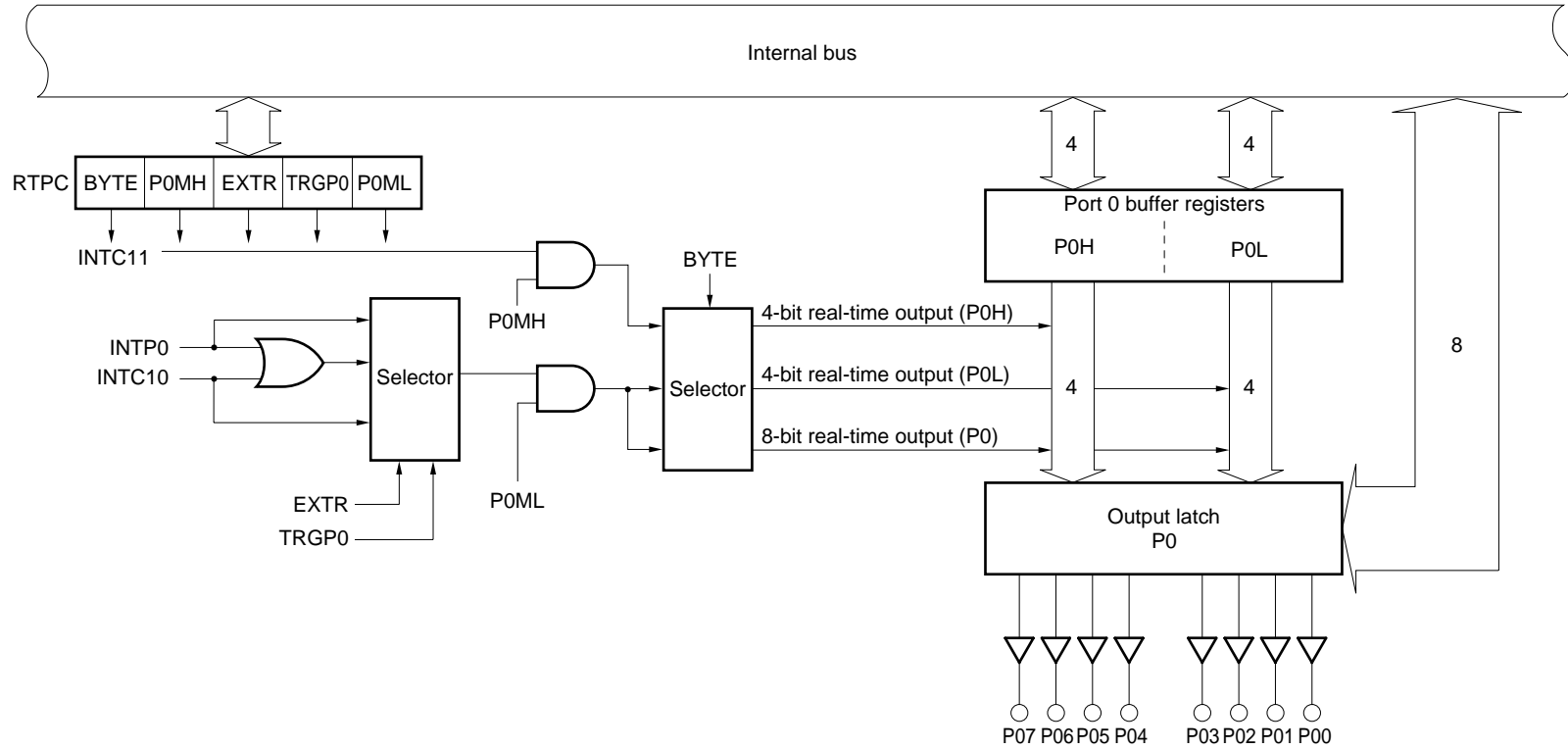
- 4 bits × 2 channels
- 8 bits × 1 channel

By combining the real-time output function with the macro service function described later, the functions of a pattern generator with programmable timing are implemented without software intermediation.

This is ideally suited to stepping motor control, for example.

Figure 7-1 shows the block diagram of the real-time output port.

Figure 7-1. Real-Time Output Port Block Diagram



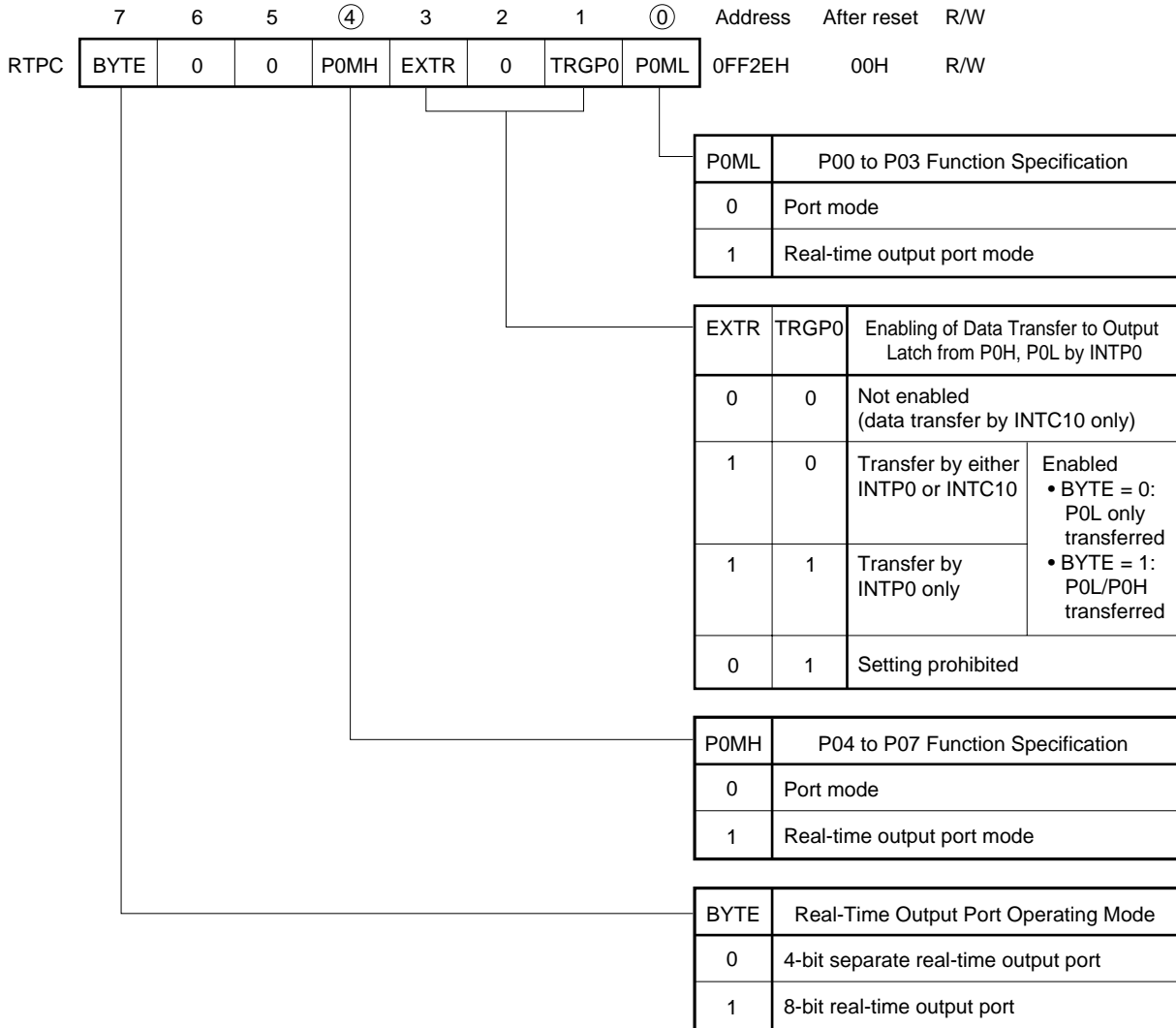
7.2 Real-time Output Port Control Register (RTPC)

RTPC is an 8-bit register that specifies the function of port 0.

RTPC can be read or written to with an 8-bit manipulation instruction or bit manipulation instruction. Figure 7-2 shows the format of RTPC.

$\overline{\text{RESET}}$ input clears RTPC to 00H.

Figure 7-2. Real-Time Output Port Control Register (RTPC) Format



Caution When P0ML and P0MH bits are set (to 1), the corresponding port output buffer is turned on and the port 0 output latch contents are output irrespective of the contents of the port 0 mode register (PM0). The output latch contents should therefore be initialized before making a real-time output port specification.

7.3 Real-time Output Port Accesses

The port 0 buffer registers (P0H, P0L) are mapped onto mutually independent addresses in the SFR area as shown in Figure 7-3.

When the 4-bit × 2-channel real-time output function is specified, data can be set in the P0H, P0L independently of each other.

When the 8-bit × 1-channel real-time output function is specified, data can be set in P0H and P0L by writing 8-bit data to either one of the P0H or P0L.

Table 7-1 shows the operations when port 0, the P0H and P0L are manipulated.

Figure 7-3. Port 0 Buffer Register (P0H, P0L) Configuration

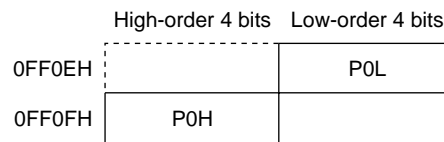


Table 7-1. Operations when Port 0 and Port 0 Buffer Registers (P0H, P0L) are Manipulated

Operation Mode	Register	Read Operation		Write Operation	
		High-Order 4 Bits	Low-Order 4 Bits	High-Order 4 Bits	Low-Order 4 Bits
8-bit port mode	P0	Output latch		Output latch	
	P0L	Buffer register ^{Note}		—	Buffer register
	P0H	Buffer register ^{Note}		Buffer register	—
8-bit real-time output port mode	P0	Output latch		—	
	P0L	Buffer register		Buffer register	
	P0H	Buffer register		Buffer register	
4-bit separate real-time output port mode	P0	Output latch		—	
	P0L	Buffer register ^{Note}		—	Buffer register
	P0H	Buffer register ^{Note}		Buffer register	—
P00 to P03: Ports P04 to P07: Real-time output port mode	P0	Output latch		—	Output latch
	P0L	Buffer register ^{Note}		—	Buffer register
	P0H	Buffer register ^{Note}		Buffer register	—
P00 to P03: Real-time output port mode P04 to P07: Ports	P0	Output latch		Output latch	—
	P0L	Buffer register ^{Note}		—	Buffer register
	P0H	Buffer register ^{Note}		Buffer register	—

Note The contents of P0H are read from the high-order 4 bits, and the contents of P0L from the low-order 4 bits.

Remark — : The output latch and port 0 buffer registers are not affected.

<Examples of setting data in port 0 buffer registers>

- 4-bit × 2-channel operation

```
MOV P0L, #05H ; Sets 0101B in P0L
MOV P0H, #0C0H ; Sets 1100B in P0H
```

- 8-bit × 1-channel operation

```
MOV P0L, #0C5H ; Sets 0101B in P0L and 1100B in P0H
or
MOV P0H, #0C5H
```

The timing for transfer to the output latch can be determined by the following three sources:

- Interrupt from timer/event counter 1 (INTC10 or INTC11)
- INTP0 external interrupt

7.4 Operation

When the port 0 function is specified as the real-time output port, the port 0 buffer register (P0H, P0L) contents are fetched into the output latch and output to the port 0 pins in synchronization with the generation of one of the trigger conditions shown in Table 7-2.

For example, the timer/event counter 1 timer counter 1 (TM1) and compare register (CR10, CR11) match signal (INTC10, INTC11) can be selected as the output trigger generation source. In this case, the port 0 pin output data can be changed to the P0H and P0L values using the value set in the CR10, CR11 beforehand as the timing interval. Combining this real-time output port function with the macro service function enables the port 0 output pin output data to be changed sequentially at any interval time (see **23.8 Macro Service Function**).

If the INTP0 external interrupt pin is selected as the output trigger source, port 0 output can be obtained in synchronization with an external event.

Table 7-2. Real-Time Output Port Output Triggers (when P0MH = P0ML = 1)

RTPC			Output Mode	P0H	P0L
BYTE	EXTR	TRGP0			
0	0	0	4-bit real-time output	INTC11	INTC10
0	1	0		INTC11	INTC10 or INTP0
0	1	1		INTC11	INTP0
1	0	0	8-bit real-time output	INTC10	
1	1	0		INTC10 or INTP0	
1	1	1		INTP0	

Figure 7-4. Real-Time Output Port Operation Timing

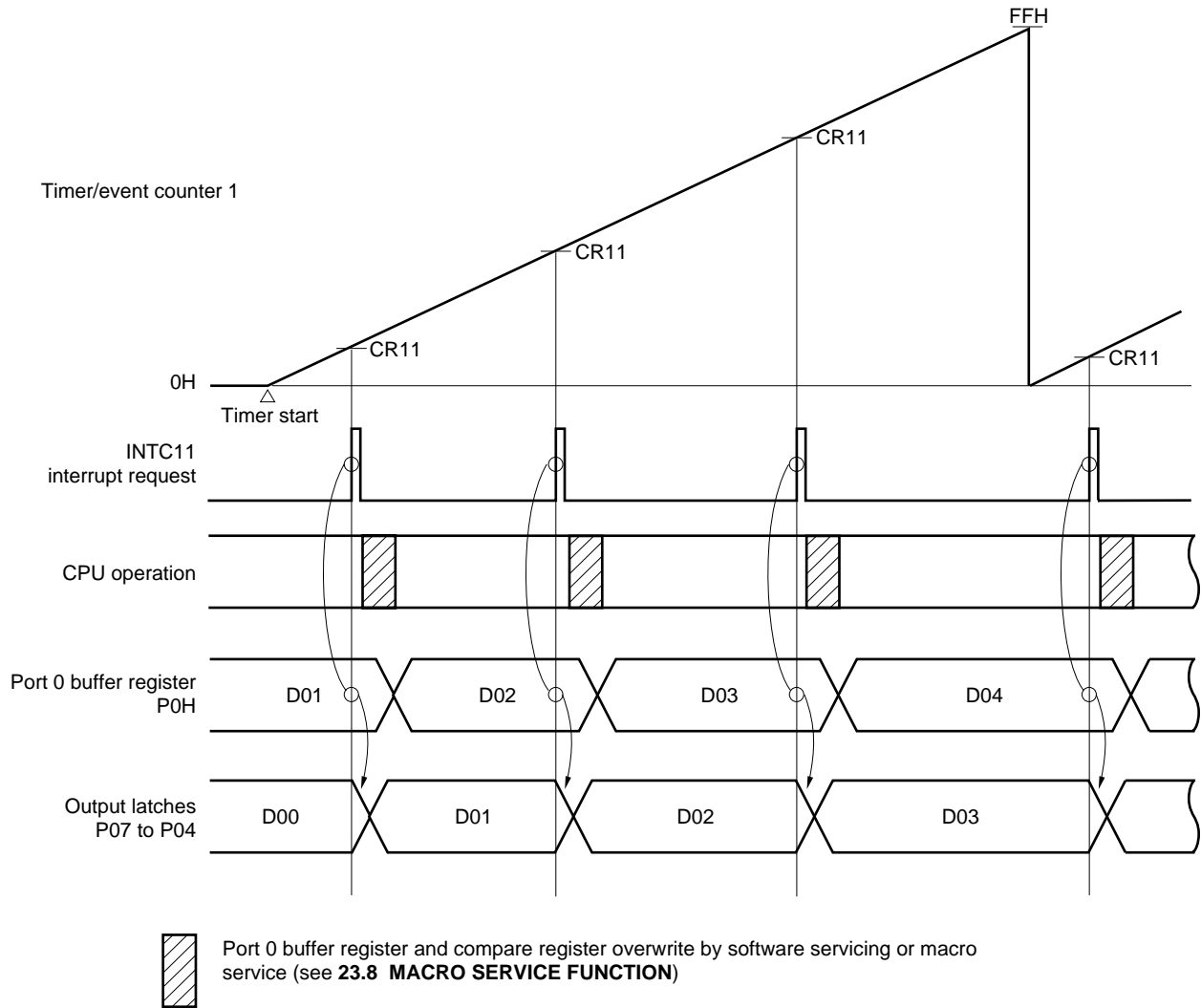
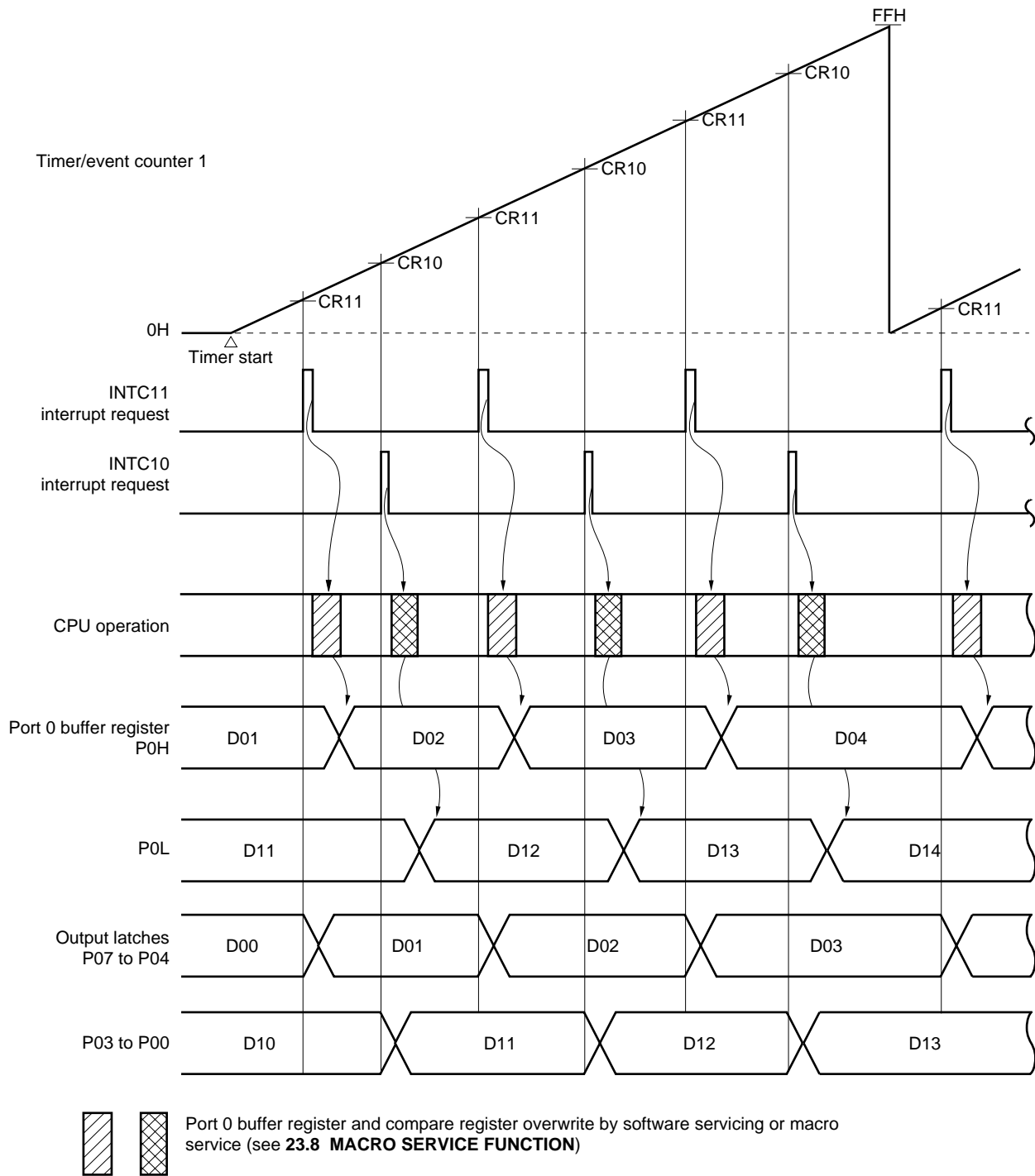


Figure 7-5. Real-Time Output Port Operation Timing (2-channel independent control example)



7.5 Example of Use

The case in which P00 to P03 are used as a 4-bit real-time output port is shown here.

Each time the contents of timer/event counter 1 timer counter 1 (TM1) and compare register (CR10) match, the contents of port 0 buffer register (POL) are output to P00 to P03. At this time, the next data to be output and the timing at which the output is to be changed next are set in the service routine for the simultaneously generated interrupt (see **Figure 7-6**).

See **CHAPTER 10 TIMER/EVENT COUNTER 1** for the method of using timer/event counter 1.

The control register settings are shown in Figure 7-7, the setting procedure in Figure 7-8, and the processing in the interrupt service routine in Figure 7-9.

Figure 7-6. Real-Time Output Port Operation Timing

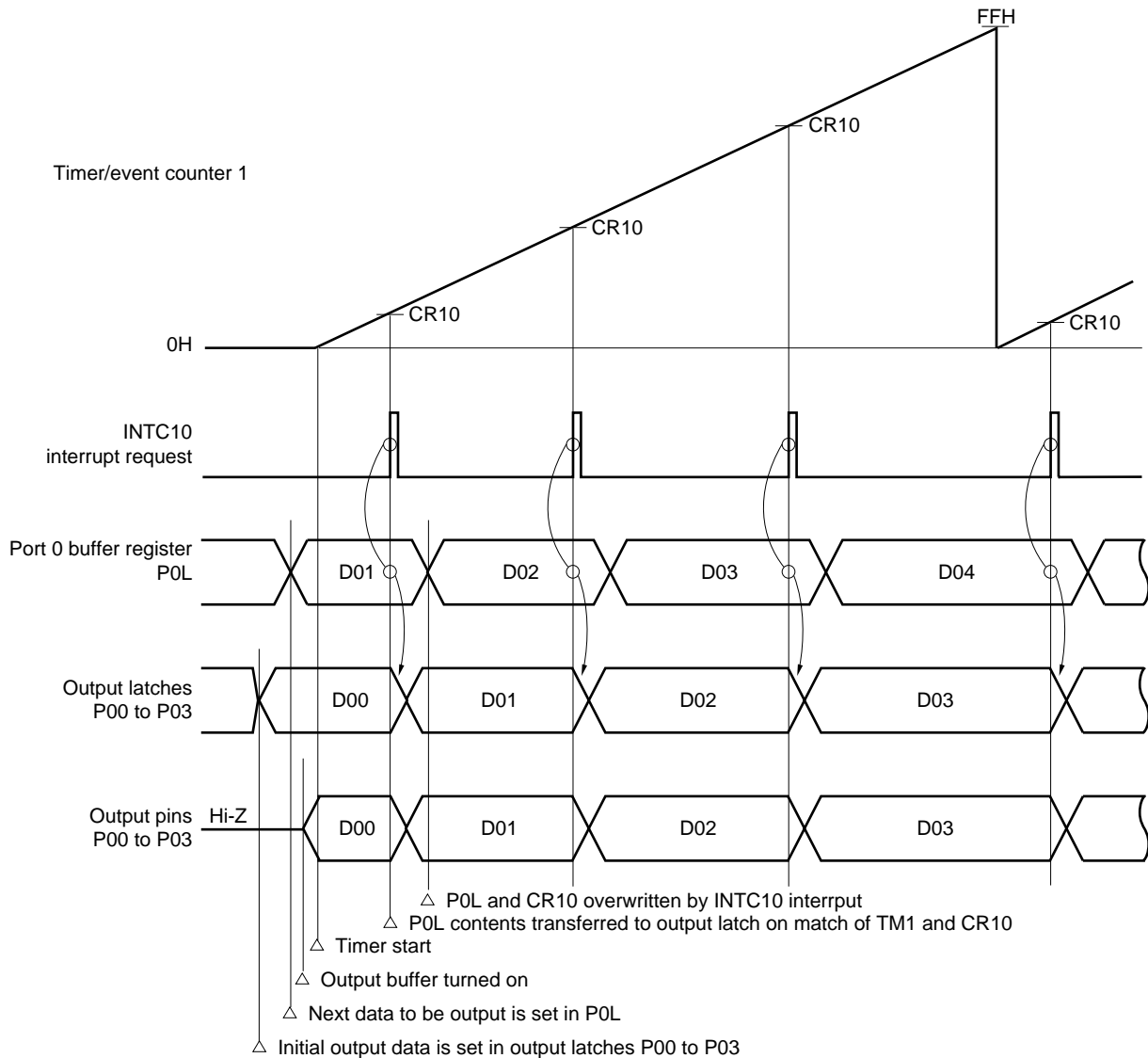


Figure 7-7. Real-Time Output Function Control Register Settings

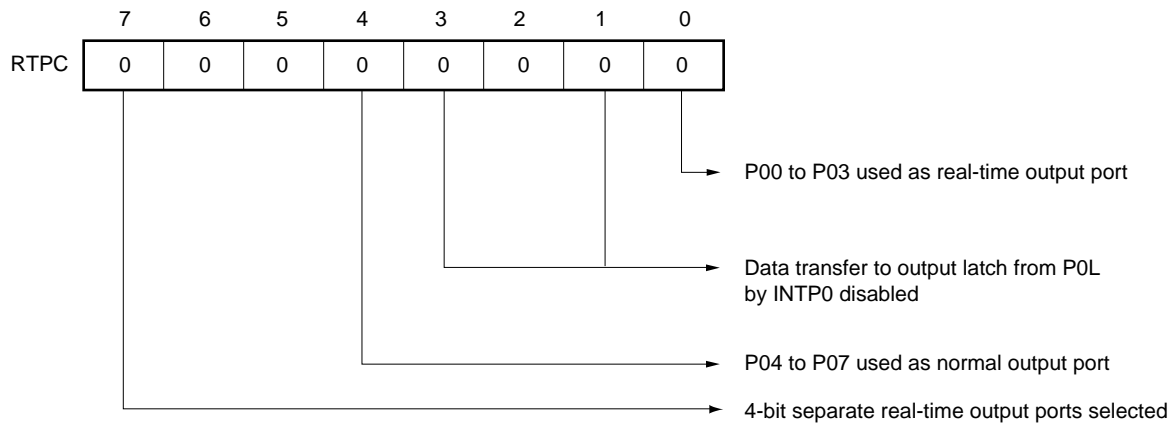


Figure 7-8. Real-Time Output Function Setting Procedure

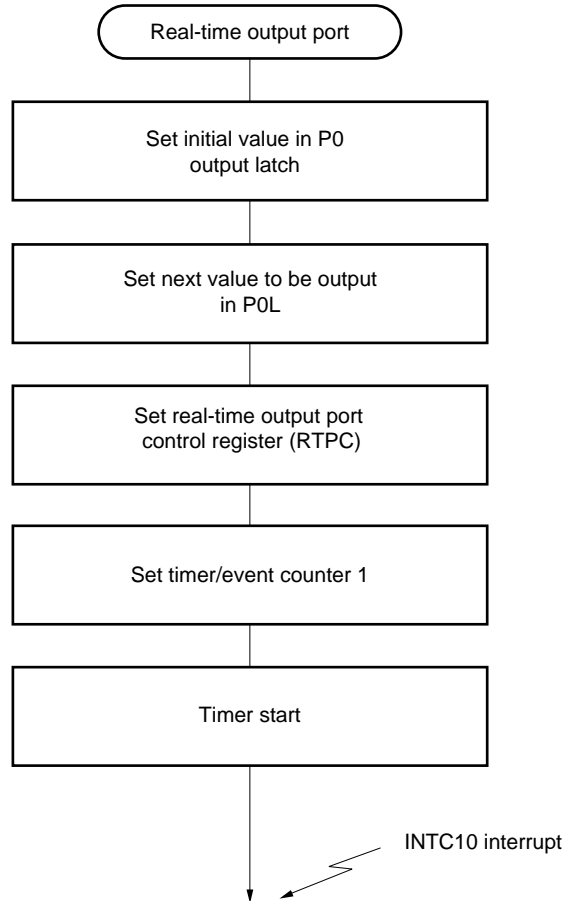
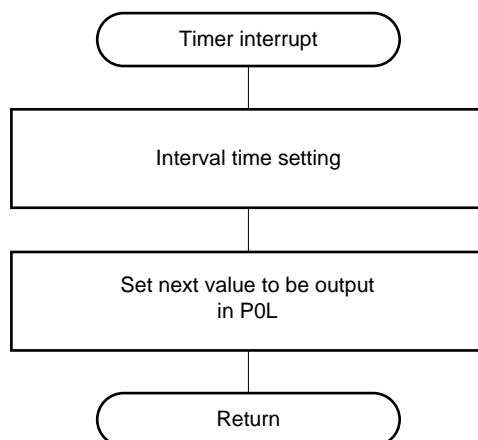


Figure 7-9. Interrupt Request Servicing when Real-Time Output Function is Used



7.6 Cautions

- (1) When P0ML and P0MH bits are set (to 1), the corresponding port output buffer is turned on and the port 0 output latch contents are output irrespective of the contents of the port 0 mode register (PM0). The output latch contents should therefore be initialized before making a real-time output port specification.
- (2) When the port is specified as a real-time output port, values cannot be directly written to the output latch by software. Therefore, the initial value of the output latch must be set by software before specifying use as a real-time output port. Also, if the need arises to forcibly set the output data to a fixed value while the port is being used as a real-time output port, you should change the port to a normal output port by manipulating the real-time output port control register (RTPC), then write the value to be output to the output latch.

[MEMO]

CHAPTER 8 OUTLINE OF TIMER

The μ PD784938 incorporates three timer/event counter units and one timer unit.

These timer/event counter and timer units can be used as seven units of timer/event counters because the μ PD784938 supports seven interrupt requests.

Table 8-1. Operations of Timer

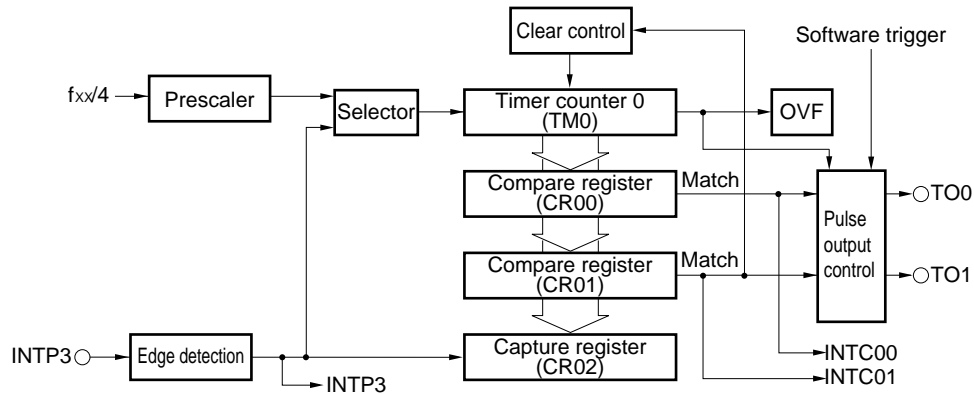
Item	Name	Timer/Event Counter 0	Timer/Event Counter 1	Timer/Event Counter 2	Timer 3
Count width	8 bits	—	√	√	√
	16 bits	√	√	√	√
Operation mode	Interval timer	2 ch	2 ch	2 ch	1 ch
	External event counter	√	√	√	—
	One-shot timer	—	—	√	—
Function	Timer output	2 ch	—	2 ch	—
	Toggle output	√	—	√	—
	PWM/PPG output	√	—	√	—
	One-shot pulse output ^{Note}	√	—	—	—
	Real-time output	—	√	—	—
	Pulse width measurement	1 input	1 input	2 inputs	—
	Number of interrupt requests	2	2	2	1

Note In the one-shot pulse output function, the pulse output level activated by software and inactivated by hardware (an interrupt request signal).

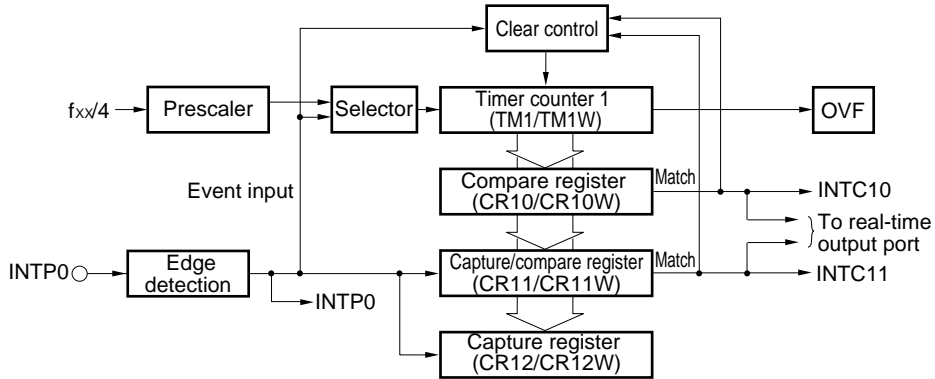
This function is different in nature from the one-shot timer function of timer/event counter 2.

Figure 8-1. Timer Block Diagram

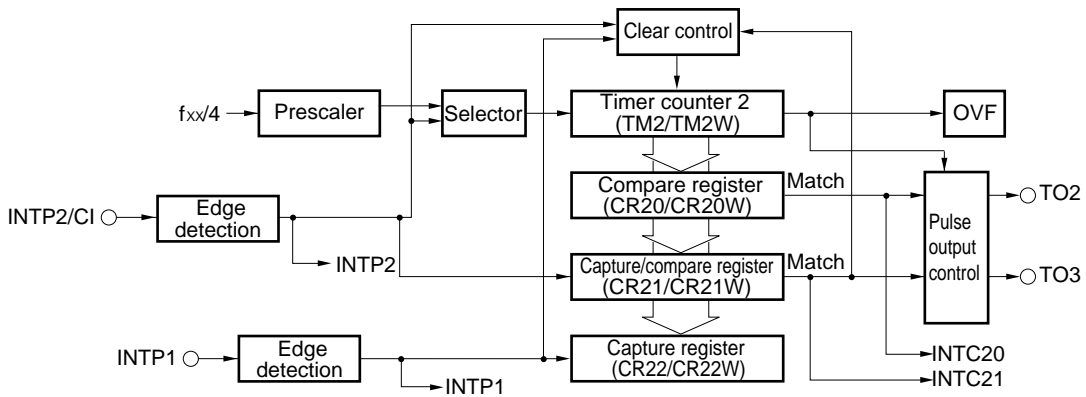
Timer/Event Counter 0



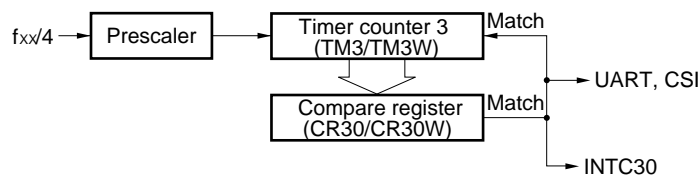
Timer/Event Counter 1



Timer/Event Counter 2



Timer 3



Remark OVF: Overflow flag

CHAPTER 9 TIMER/EVENT COUNTER 0

9.1 Functions

Timer/event counter 0 is a 16-bit timer/event counter.

In addition to its basic functions of interval timer, programmable square-wave output, pulse width measurement and event counter, timer/event counter 0 can be used for the following functions.

- PWM output
- Cycle measurement
- Soft triggered one-shot pulse output

(1) Interval timer

Generates internal interrupts at preset intervals.

Table 9-1. Timer/Event Counter 0 Interval Time

Minimum Interval Time	Maximum Interval Time	Resolution
$4/f_{xx}$ (0.32 μ s)	$2^{16} \times 4/f_{xx}$ (20.8 ms)	$4/f_{xx}$ (0.32 μ s)
$8/f_{xx}$ (0.64 μ s)	$2^{16} \times 8/f_{xx}$ (41.7 ms)	$8/f_{xx}$ (0.64 μ s)
$16/f_{xx}$ (1.27 μ s)	$2^{16} \times 16/f_{xx}$ (83.4 ms)	$16/f_{xx}$ (1.27 μ s)
$32/f_{xx}$ (2.54 μ s)	$2^{16} \times 32/f_{xx}$ (167 ms)	$32/f_{xx}$ (2.54 μ s)
$64/f_{xx}$ (5.09 μ s)	$2^{16} \times 64/f_{xx}$ (333 ms)	$64/f_{xx}$ (5.09 μ s)
$128/f_{xx}$ (10.17 μ s)	$2^{16} \times 128/f_{xx}$ (667 ms)	$128/f_{xx}$ (10.17 μ s)
$256/f_{xx}$ (20.35 μ s)	$2^{16} \times 256/f_{xx}$ (1.33 s)	$256/f_{xx}$ (20.35 μ s)
$512/f_{xx}$ (40.70 μ s)	$2^{16} \times 512/f_{xx}$ (2.67 s)	$512/f_{xx}$ (40.20 μ s)
$1,024/f_{xx}$ (81.40 μ s)	$2^{16} \times 1,024/f_{xx}$ (5.33 s)	$1,024/f_{xx}$ (81.40 μ s)

(): When $f_{xx} = 12.58$ MHz

(2) Programmable square-wave output

Outputs square waves independently to the timer output pins (TO0, TO1).

Table 9-2. Timer/Event Counter 0 Programmable Square-Wave Output Setting Range

Minimum Pulse Width	Maximum Pulse Width
$4/f_{xx}$ (0.32 μ s)	$2^{16} \times 4/f_{xx}$ (20.8 ms)
$8/f_{xx}$ (0.64 μ s)	$2^{16} \times 8/f_{xx}$ (41.7 ms)
$16/f_{xx}$ (1.27 μ s)	$2^{16} \times 16/f_{xx}$ (83.4 ms)
$32/f_{xx}$ (2.54 μ s)	$2^{16} \times 32/f_{xx}$ (167 ms)
$64/f_{xx}$ (5.09 μ s)	$2^{16} \times 64/f_{xx}$ (333 ms)
$128/f_{xx}$ (10.17 μ s)	$2^{16} \times 128/f_{xx}$ (667 ms)
$256/f_{xx}$ (20.35 μ s)	$2^{16} \times 256/f_{xx}$ (1.33 s)
$512/f_{xx}$ (40.70 μ s)	$2^{16} \times 512/f_{xx}$ (2.67 s)
$1,024/f_{xx}$ (81.40 μ s)	$2^{16} \times 1,024/f_{xx}$ (5.33 s)

(): When $f_{xx} = 12.58$ MHz

(3) Pulse width measurement

Detects the pulse width of the signal input to the external interrupt request input pin (INTP3).

Table 9-3. Timer/Event Counter 0 Pulse Width Measurement Range

Measurable Pulse Width ^{Note}	Resolution
$4/f_{xx}$ to $2^{16} \times 4/f_{xx}$ (0.32 μ s) (20.8 ms)	$4/f_{xx}$ (0.32 μ s)
$8/f_{xx}$ to $2^{16} \times 8/f_{xx}$ (0.64 μ s) (41.7 ms)	$8/f_{xx}$ (0.64 μ s)
$16/f_{xx}$ to $2^{16} \times 16/f_{xx}$ (1.27 μ s) (83.4 ms)	$16/f_{xx}$ (1.27 μ s)
$32/f_{xx}$ to $2^{16} \times 32/f_{xx}$ (2.54 μ s) (167 ms)	$32/f_{xx}$ (2.54 μ s)
$64/f_{xx}$ to $2^{16} \times 64/f_{xx}$ (5.09 μ s) (333 ms)	$64/f_{xx}$ (5.09 μ s)
$128/f_{xx}$ to $2^{16} \times 128/f_{xx}$ (10.17 μ s) (667 ms)	$128/f_{xx}$ (10.17 μ s)
$256/f_{xx}$ to $2^{16} \times 256/f_{xx}$ (20.35 μ s) (1.33 s)	$256/f_{xx}$ (20.35 μ s)
$512/f_{xx}$ to $2^{16} \times 512/f_{xx}$ (40.70 μ s) (2.67 s)	$512/f_{xx}$ (40.70 μ s)
$1,024/f_{xx}$ to $2^{16} \times 1,024/f_{xx}$ (81.40 μ s) (5.33 s)	$1,024/f_{xx}$ (81.40 μ s)

(): When $f_{xx} = 12.58$ MHz

Note The minimum pulse width that can be measured differs depending on the selected value of f_{CLK} . The minimum pulse width that can be measured is the value of $3/f_{CLK}$ or the value in the above table, whichever is greater.

(4) Software triggered one-shot pulse output

This is a one-shot pulse output function in which the pulse output level is activated by software and inactivated by hardware (an interrupt request signal). Control can be performed for the timer output pins (TO0, TO1) independently.

Caution The software triggered one-shot pulse output function is different in nature from the one-shot timer function of timer/event counter 2.

(5) External event counter

Counts the clock pulses input from the external interrupt request input pin (INTP3).

The clocks that can be input to timer/event counter 0 are shown in Table 9-4.

Table 9-4. Timer/Event Counter 0 Pulse Width Measurement Time

	When Counting One Edge	When Counting Both Edges
Maximum frequency	$f_{\text{CLK}}/6$ (2.10 MHz)	$f_{\text{CLK}}/6$ (2.10 MHz)
Minimum pulse width (High and low levels)	$3/f_{\text{CLK}}$ (0.24 μs)	$3/f_{\text{CLK}}$ (0.24 μs)

(): When $f_{\text{CLK}} = 12.58$ MHz

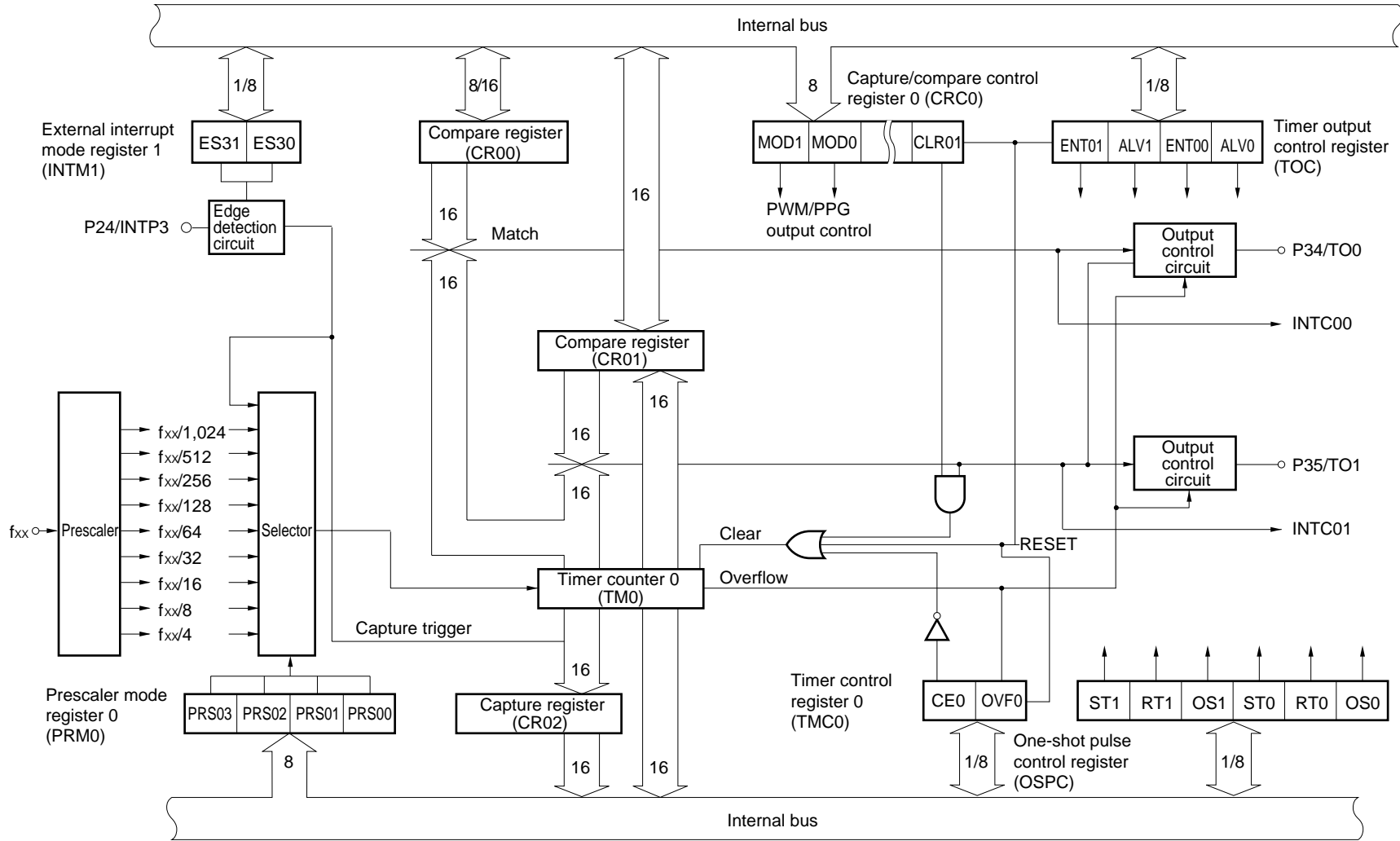
9.2 Configuration

Timer/event counter 0 consists of the following registers:

- Timer counter (TM0) $\times 1$
- Compare register (CR00, CR01) $\times 2$
- Capture register (CR02) $\times 1$

The block diagram of timer/event counter 0 is shown in Figure 9-1.

Figure 9-1. Timer/Event Counter 0 Block Diagram



(1) Timer counter 0 (TM0)

TM0 is a timer counter that counts up using the count clock specified by the low-order 4 bits of prescaler mode register 0 (PRM0).

The count operation is stopped or enabled by means of timer control register 0 (TMC0).

TM0 can be read only with a 16-bit manipulation instruction. When $\overline{\text{RESET}}$ is input, TM0 is cleared to 0000H and the count is stopped.

(2) Compare registers (CR00/CR01)

CR00 and CR01 are 16-bit registers that hold the values that determine the interval timer frequency.

If the CR00/CR01 contents match the contents of TM0, an interrupt request (INTC00/INTC01) and timer output control signal are generated. Also, the count value can be cleared by a content match (CR01).

CR00 and CR01 can be read or written with a 16-bit manipulation instruction. The contents of these registers are undefined after $\overline{\text{RESET}}$ input.

(3) Capture register (CR02)

CR02 is a 16-bit register that captures the contents of TM0.

The capture operation is synchronized with the input of a valid edge (capture trigger) on the external interrupt request input pin (INTP3). The contents of the CR02 are retained until the next capture trigger is generated.

CR02 can be read only with a 16-bit manipulation instruction. The contents of this register are undefined after $\overline{\text{RESET}}$ input.

(4) Edge detection circuit

The edge detection circuit detects an external input valid edge.

When the valid edge set by external interrupt mode register 1 (INTM1) is detected in the INTP3 pin input, the external interrupt request (INTP3), a capture trigger, and an external event count clock are generated (see **Figure 22-2** for details of the INTM1).

(5) Output control circuit

It is possible to invert the timer output when the compare register (CR00, CR01) register contents and the contents of the timer counter (TM0) match. A square wave can be output from the timer output pins (TO0/TO1) in accordance with the setting of the low-order 4 bits of the timer output control register (TOC). At this time, PWM output or PPG output can be performed according to the specification of capture/compare control register 0 (CRC0).

In addition, one-shot pulse output can also be performed by means of a software trigger.

Timer output can be disabled/enabled by means of the TOC. When timer output is disabled, a fixed level is output to the TO0 and TO1 pins (the output level is set by the TOC).

(6) Prescaler

The prescaler generates the count clock from the internal system clock. The clock generated by this prescaler is selected by the selector, and is used as the count clock by the timer counter 0 (TM0) to perform count operations.

(7) Selector

The selector selects a signal resulting from dividing the internal clock or the edge detected by the edge detection circuit as the count clock of timer counter 0 (TM0).

9.3 Timer/Event Counter 0 Control Registers

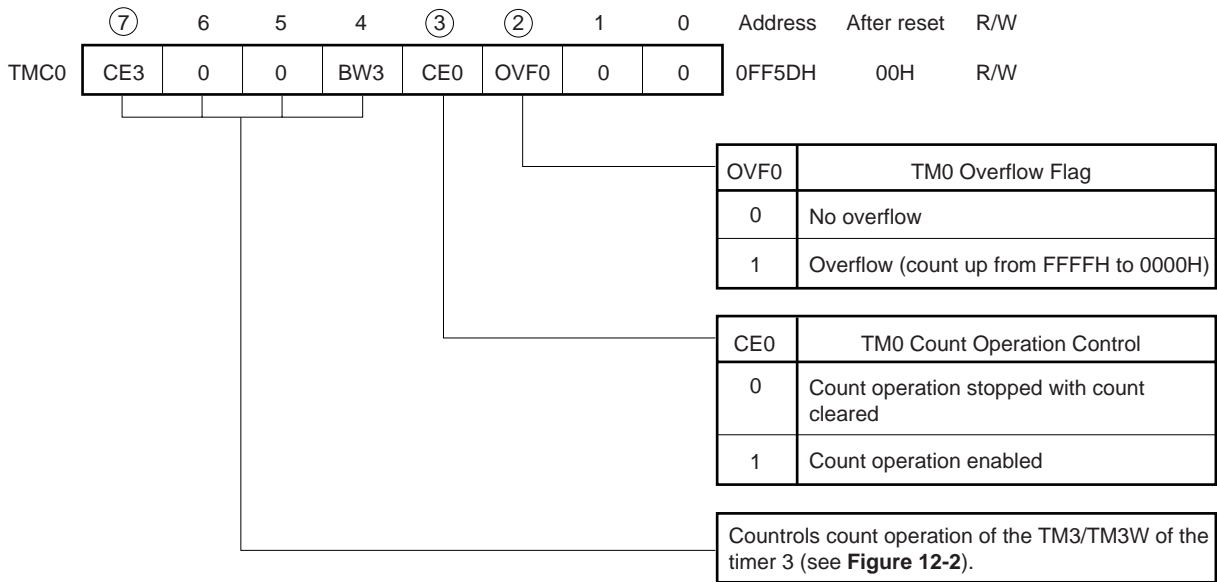
(1) Timer control register 0 (TMC0)

The timer/event counter 0 TM0 count operation is controlled by the low-order 4 bits in the TMC0 (the high-order 4 bits control the count operation of the TM3/TM3W of the timer 3).

TMC0 can be read or written to with an 8-bit manipulation instruction or bit manipulation instruction. The format of TMC0 is shown in Figure 9-2.

RESET input clears TMC0 to 00H.

Figure 9-2. Timer Control Register 0 (TMC0) Format



Remark The OVF0 bit is reset by software only.

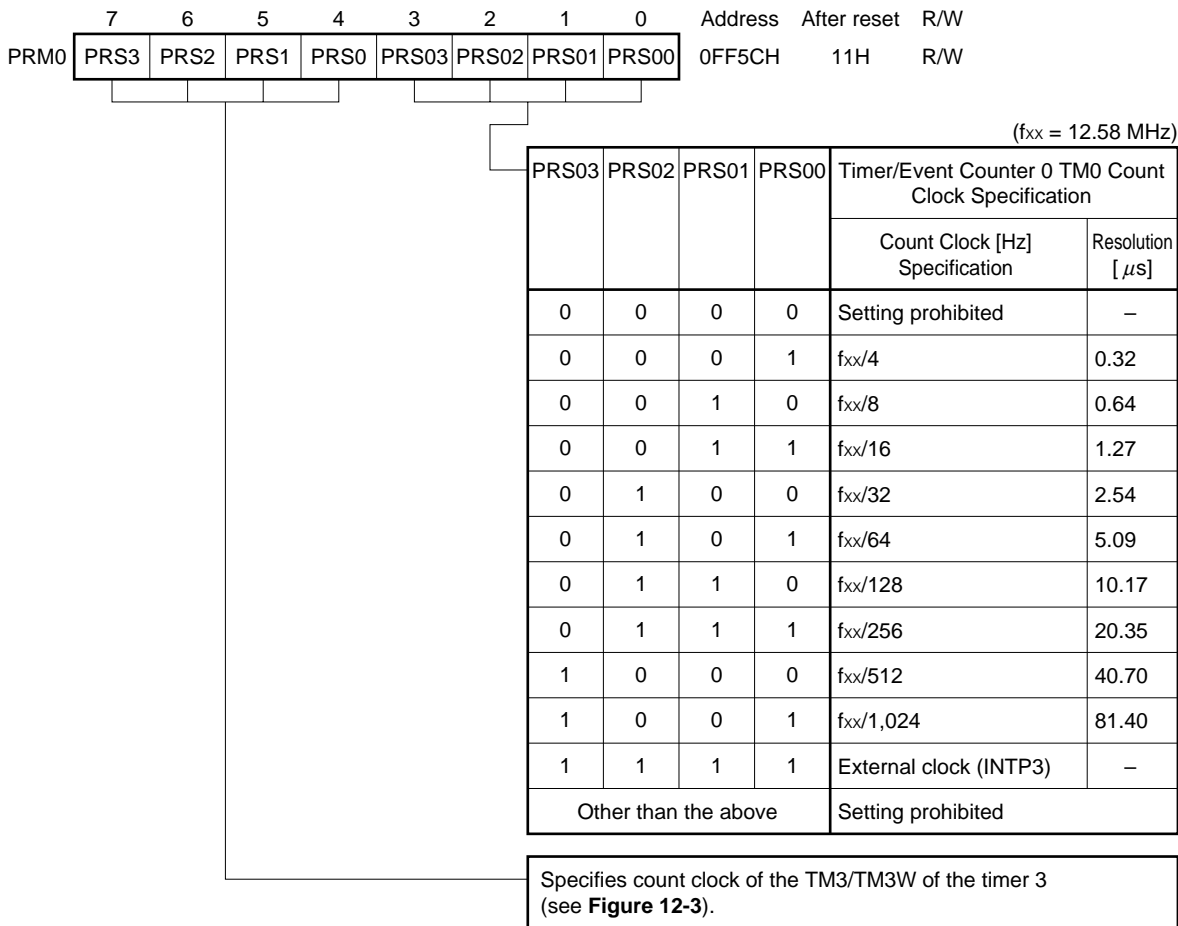
(2) Prescaler mode register 0 (PRM0)

The count clock of the timer/event counter 0 TM0 is specified by the low-order 4 bits of PRM0 (the high-order 4 bits specify the count clock of the timer 3, TM3/TM3W).

PRM0 can be read/written with an 8-bit manipulation instruction. The format of PRM0 is shown in Figure 9-3.

RESET input sets PRM0 to 11H.

Figure 9-3. Prescaler Mode Register 0 (PRM0) Format



Remark f_{xx}: X1 input frequency or oscillation frequency

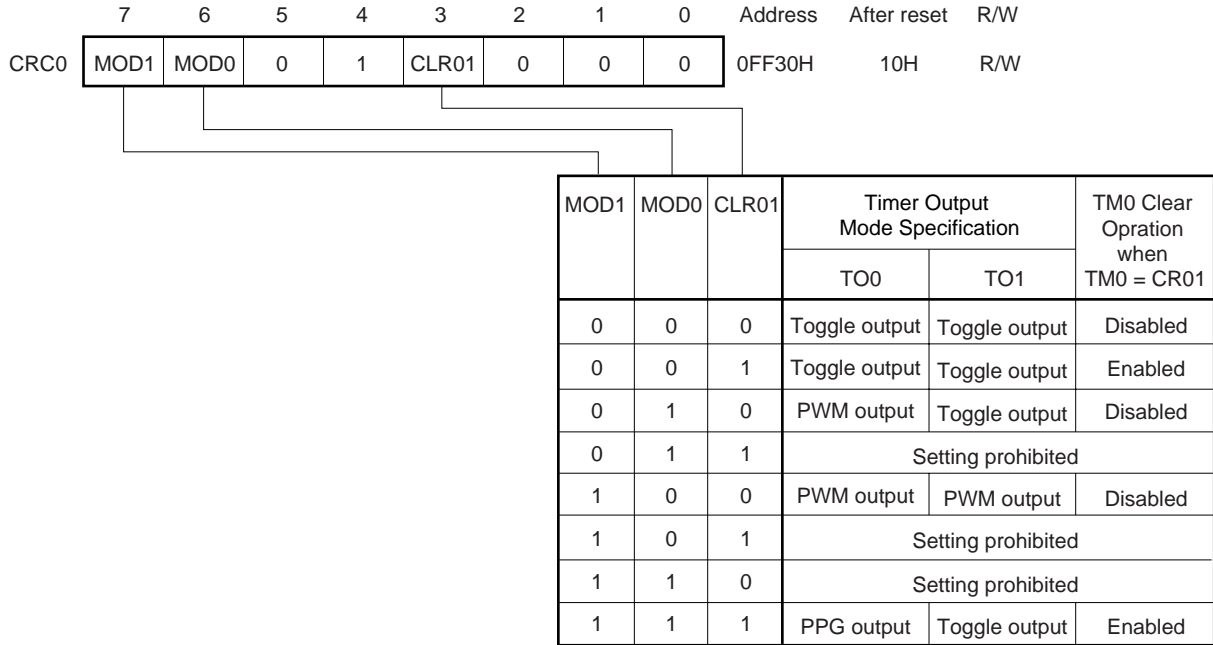
(3) Capture/compare control register 0 (CRC0)

CRC0 specifies the enabling conditions for the TM0 clear operation by a match signal between the contents of the compare register (CR01) and the timer counter 0 (TM0) counter value, and the timer outputs (TO0/TO1) mode.

CRC0 can be read/written with an 8-bit manipulation instruction. The format of CRC0 is shown in Figure 9-4.

$\overline{\text{RESET}}$ input sets CRC0 to 10H.

Figure 9-4. Capture/Compare Control Register 0 (CRC0) Format



(4) Timer output control register (TOC)

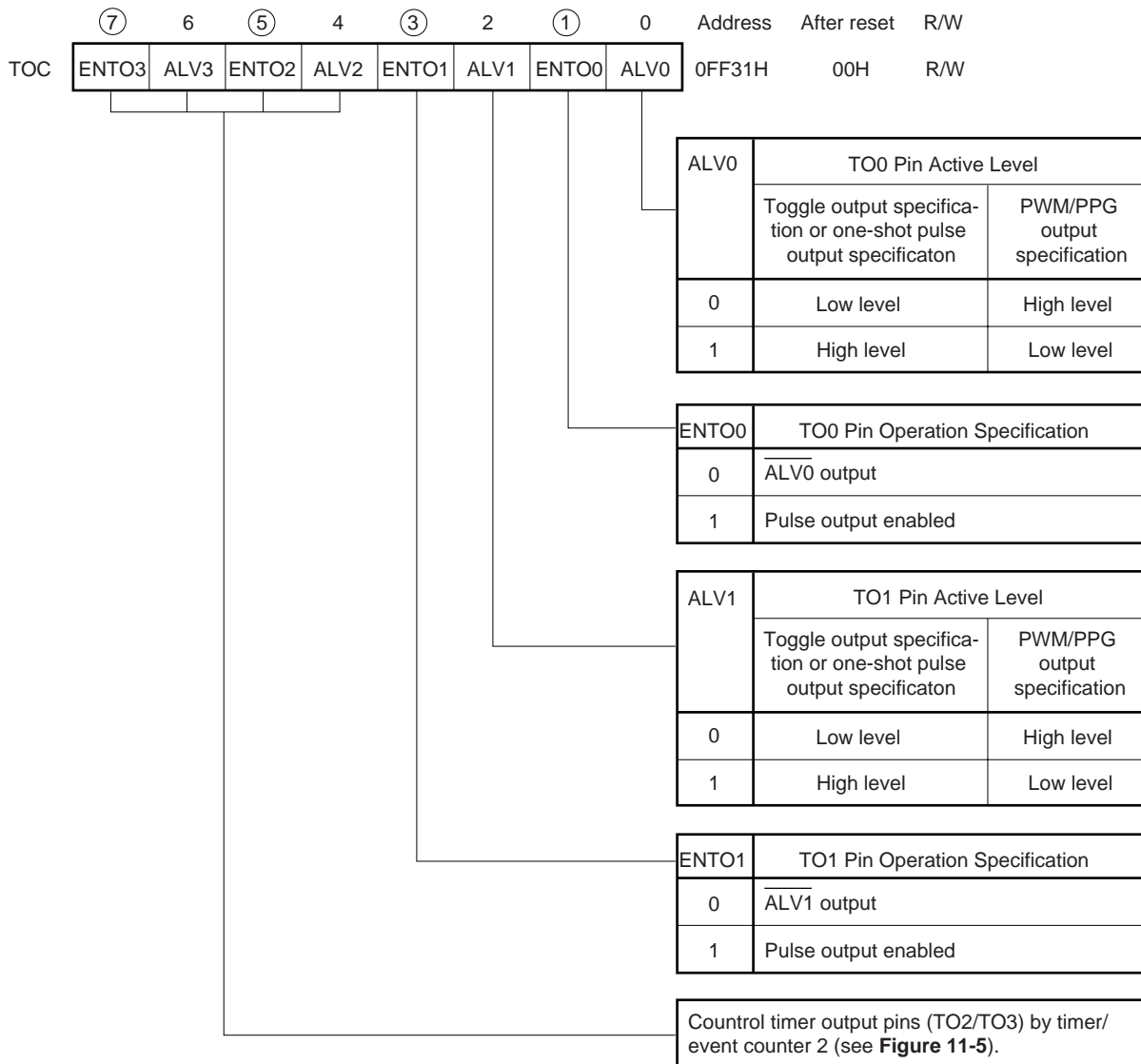
TOC is an 8-bit register that controls the active level of timer output and output enabling/disabling.

The operation of the timer output pins (TO0/TO1) by the timer/event counter 0 is controlled by the low-order 4 bits (the high-order 4 bits control the operation of the timer output pins (TO2/TO3) by the timer/event counter 2).

TOC can be written to or read with an 8-bit manipulation instruction or bit manipulation instruction. The format of TOC is shown in Figure 9-5.

RESET input clears TOC to 00H.

Figure 9-5. Timer Output Control Register (TOC) Format



(5) One-shot pulse output control register (OSPC)

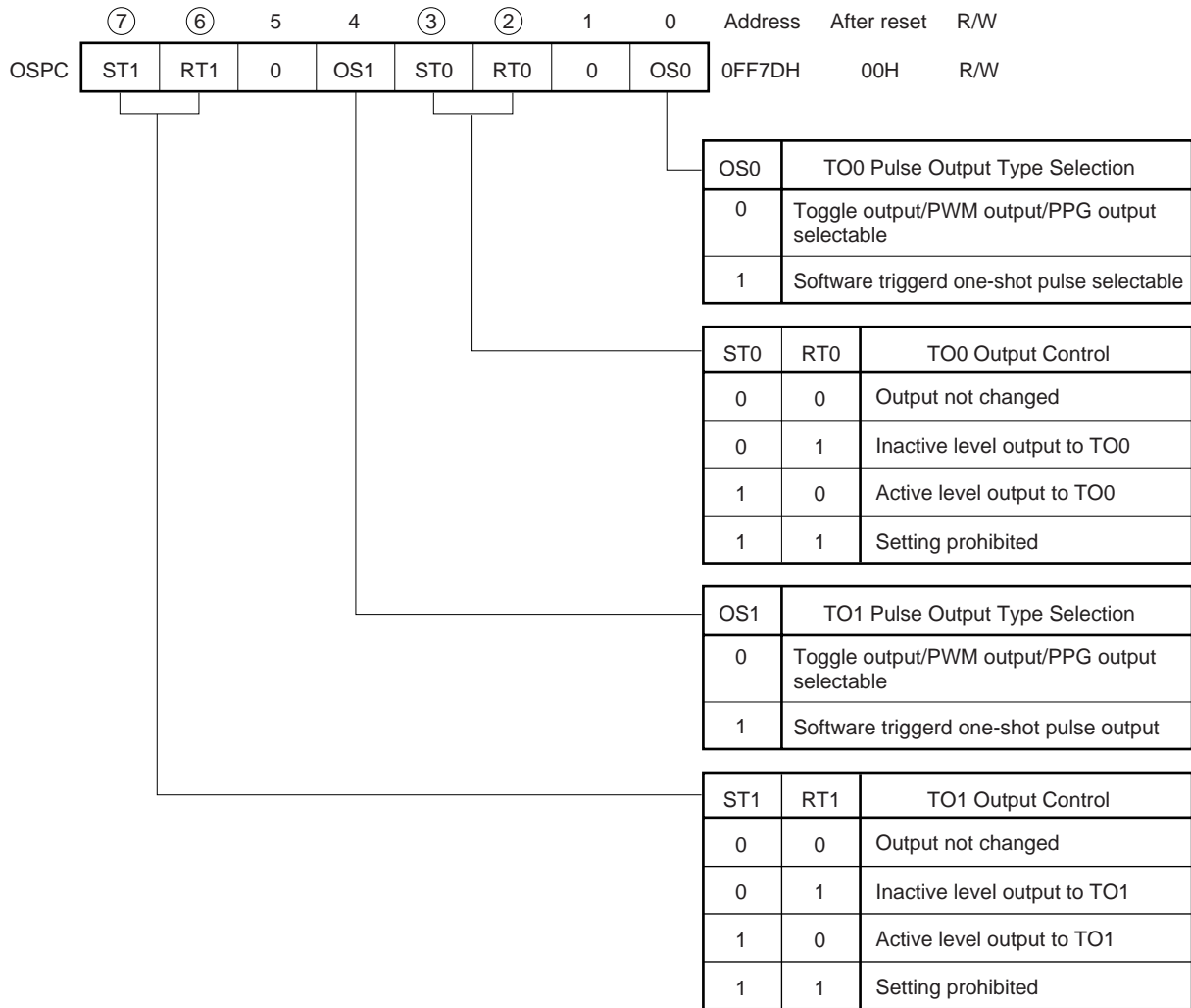
OSPC is an 8-bit register that specifies enabling/disabling of one-shot pulse output by a software trigger and the output level, etc.

OSPC can be read or written to with an 8-bit manipulation instruction or bit manipulation instruction.

The format of OSPC is shown in Figure 9-6.

$\overline{\text{RESET}}$ input clears OSPC to 00H.

Figure 9-6. One-Shot Pulse Output Control Register (OSPC) Format



- Remarks**
1. The RT0, ST0, RT1, and ST1 bits are write-only, and show a value of "0" if read.
 2. Pin pulse output disabling/enabling and active level setting are performed by means of the timer output control register (TOC).

9.4 Timer Counter 0 (TM0) Operation

9.4.1 Basic operation

In the timer/event counter 0 count operation, an count-up is performed using the count clock specified by the low-order 4 bits of prescaler mode register 0 (PRM0).

Count operation enabling/disabling is controlled by bit 3 (CE0) of timer control register 0 (TMC0). When the CE0 bit is set (to 1) by software, the contents of TM0 are cleared to 0000H on the first count clock, and then the count-up operation is performed.

When the CE0 bit is cleared (to 0), TM0 becomes 0000H immediately, and capture operations and match signal generation are stopped.

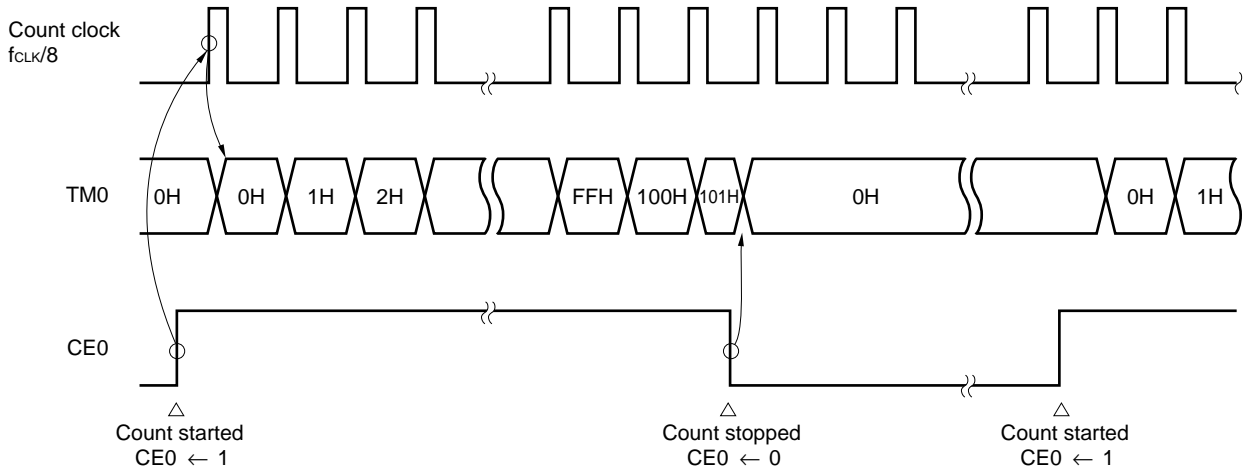
If the CE0 bit is set (to 1) again when it is already set (1), TM0 continues the count operation without being cleared.

If the count clock is input when TM0 is FFFFH, TM0 becomes 0000H. In this case, OVF0 bit is set (to 1) and an overflow signal is sent to the output control circuit. OVF0 bit is cleared by software only. The count operation is continued.

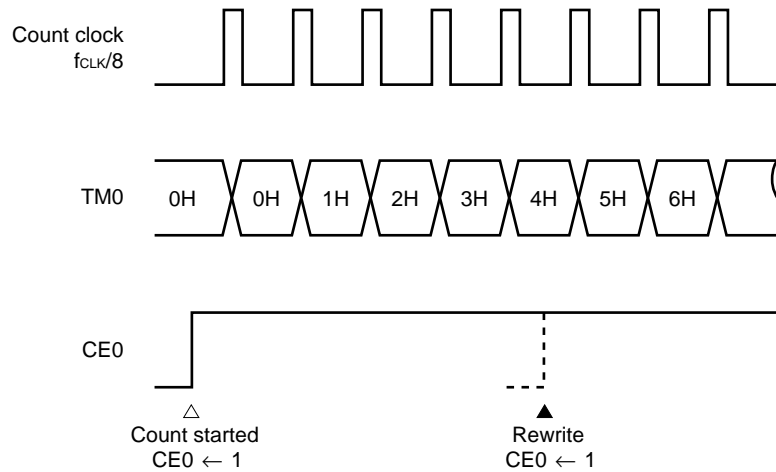
When $\overline{\text{RESET}}$ is input, TM0 is cleared to 0000H, and the count operation is stopped.

Figure 9-7. Basic Operation of Timer Counter 0 (TM0)

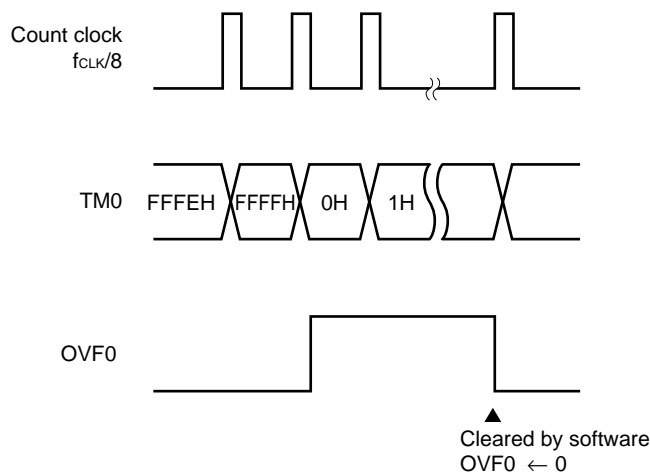
(a) Count started → count stopped → count started



(b) When "1" is written to the CE0 bit again after the count starts



(c) Operation when TM0 = FFFFH

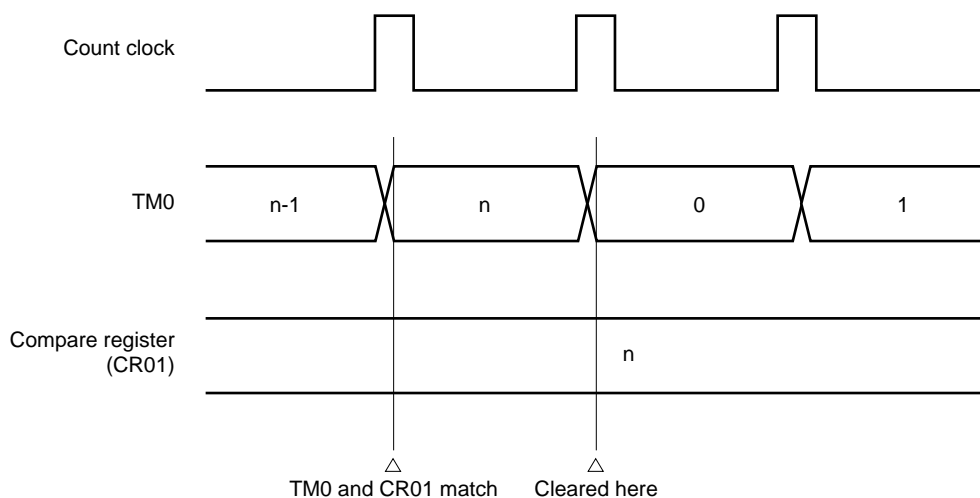


9.4.2 Clear operation

(1) Clear operation after a match with the compare register

The timer counter 0 (TM0) can be cleared automatically after a match with the compare register (CR01). When a clearance source arises, TM0 is cleared to 0000H on the next count clock. Therefore, even if a clearance source arises, the value at the point at which the clearance source arose is retained until the next count clock arrives.

Figure 9-8. TM0 Clearance by Match with Compare Register (CR01)

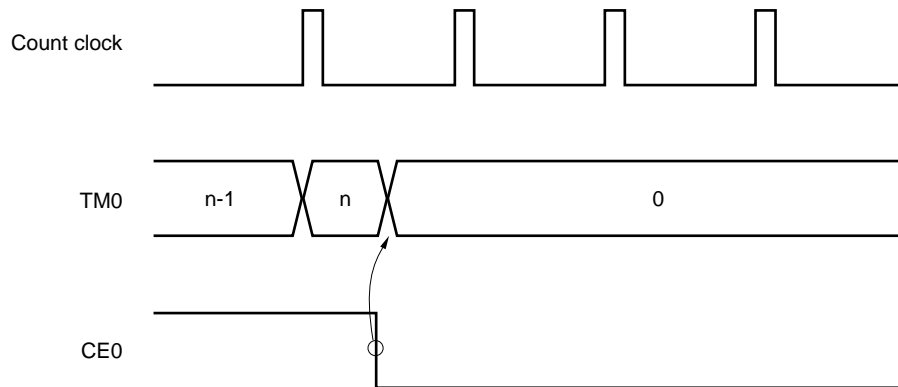


(2) Clear operation by the CE0 bit of the timer control register 0 (TMC0)

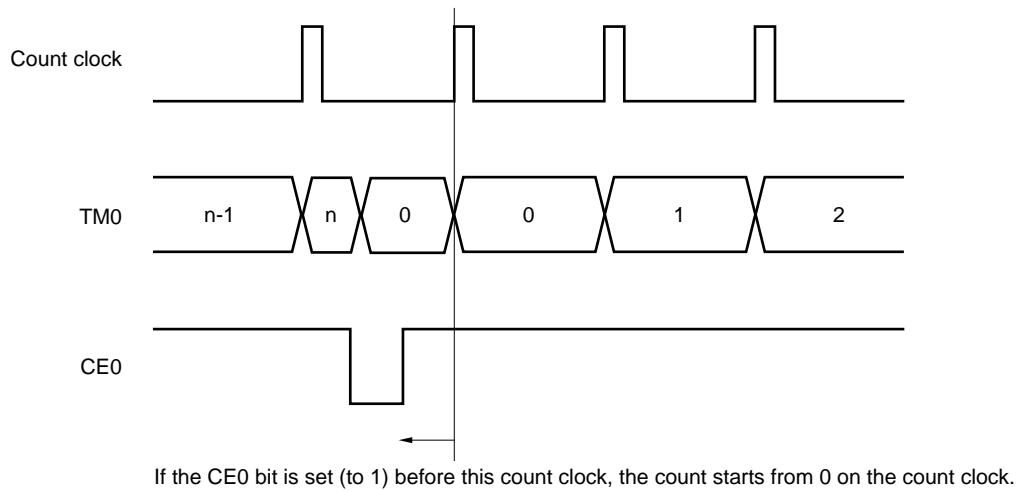
The timer counter 0 (TM0) is also cleared when the CE0 bit of TMC0 is cleared (to 0) by software. The clear operation is performed immediately after clearance (to 0) of the CE0 bit.

Figure 9-9. Clear Operation when CE0 Bit is Cleared (0)

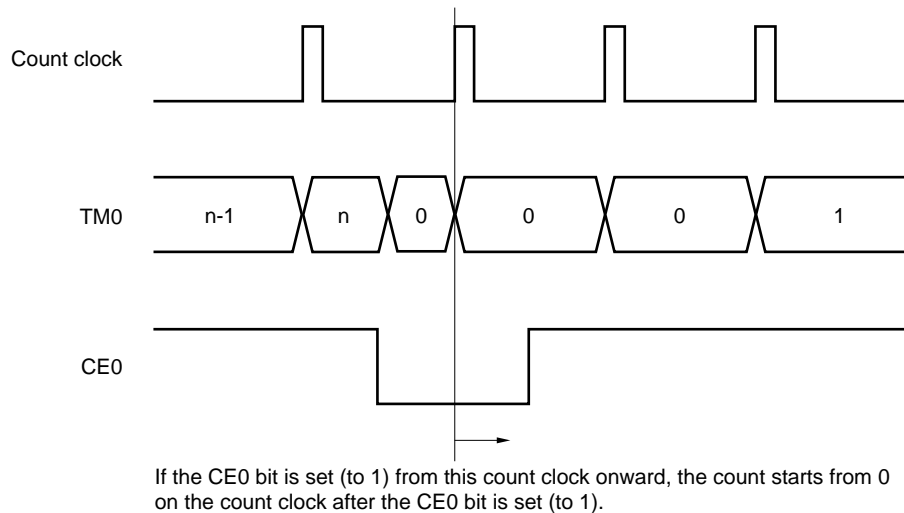
(a) Basic operation



(b) Restart before count clock input after clearance



(c) Restart after count clock input after clearance



9.5 External Event Counter Function

The timer/event counter 0 can count clock pulses input from the external interrupt request input pin (INTP3).

No special selection method is needed for the external event counter operation mode. When the timer counter 0 (TM0) count clock is specified as external clock input by the setting of the low-order 4 bits of prescaler mode register 0 (PRM0), TM0 operates as an external event counter.

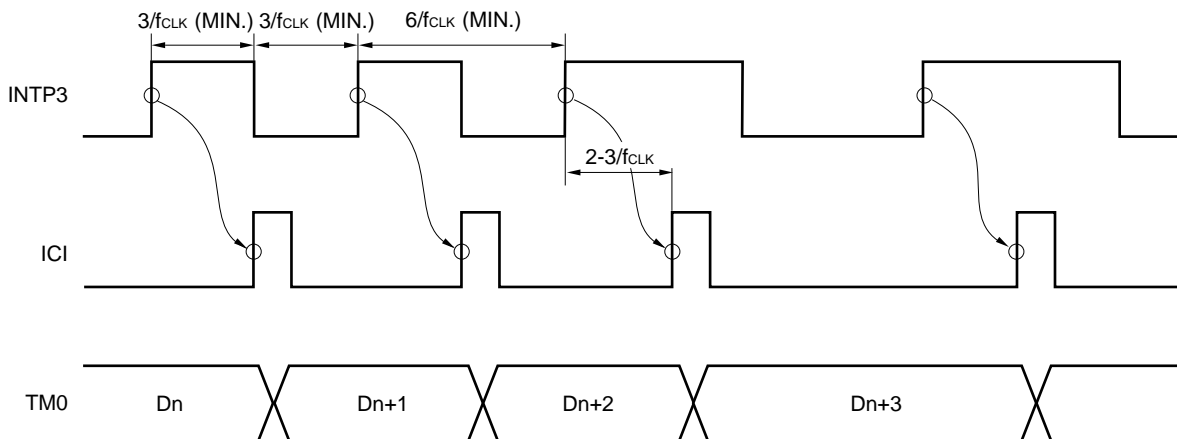
The maximum frequency of external clock pulses that can be counted by TM0 as the external event counter is 2.10 MHz ($f_{CLK} = 12.58 \text{ MHz}$) irrespective of whether only one edge or both edges are counted on INTP3 input.

The pulse width of the INTP3 input must be at least 3 system clocks ($0.24 \mu\text{s}$; $f_{CLK} = 12.58 \text{ MHz}$) for both the high level and low level. If the pulse width is shorter than this, the pulse may not be counted.

The timer/event counter 0 external event counter timing is shown in Figure 9-10.

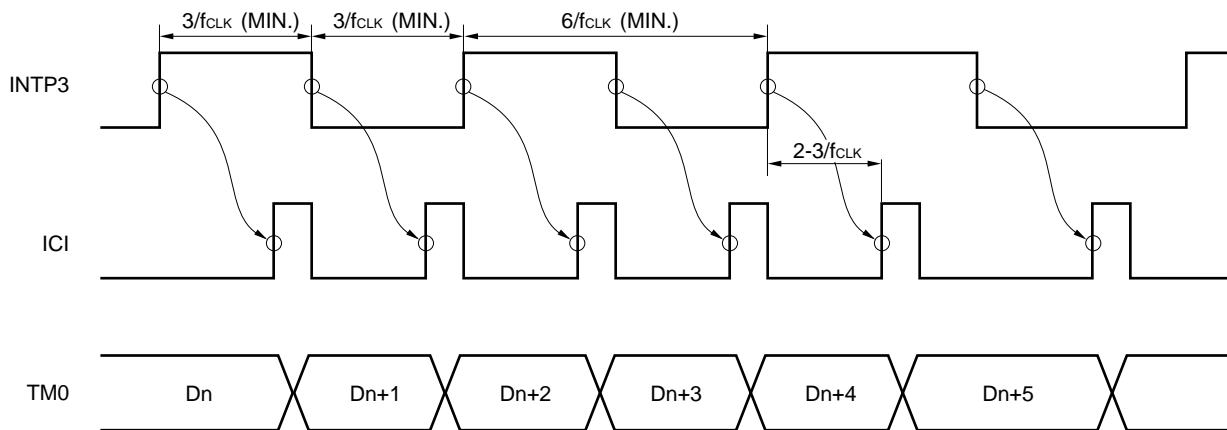
Figure 9-10. Timer/Event Counter 0 External Event Count Timing

(1) Counting one edge (maximum frequency = $f_{CLK}/6$)



Remark ICI: INTP3 input signal after passing through edge detection circuit

(2) Counting both edges (maximum frequency = $f_{CLK}/6$)



Remark ICI: INTP3 input signal after passing through edge detection circuit

The TM0 count operation is controlled by the CE0 bit of the timer control register 0 (TMC0) in the same way as with basic operation.

When the CE0 bit is set (to 1) by software, the contents of TM0 are set to 0000H and the count-up is started on the initial count clock.

When the CE0 bit is cleared (to 0) by software during a TM0 count operation, the contents of TM0 are set to 0000H immediately and the stopped state is entered. The TM0 count operation is not affected if the CE0 bit is set (to 1) by software again when it is already set (to 1).

Caution When timer/event counter 0 is used as an external event counter, it is not possible to distinguish between the case where there is no valid edge input at all and the case where there is a single valid edge input, using the timer counter 0 (TM0) alone (see Figure 9-11), since the contents of TM0 are 0 in both cases. If it is necessary to make this distinction, the INTP3 interrupt request flag should be used. An example is shown in Figure 9-12.

Figure 9-11. Example of the Case where the External Event Counter does Not Distinguish between One Valid Edge Input and No Valid Edge Input

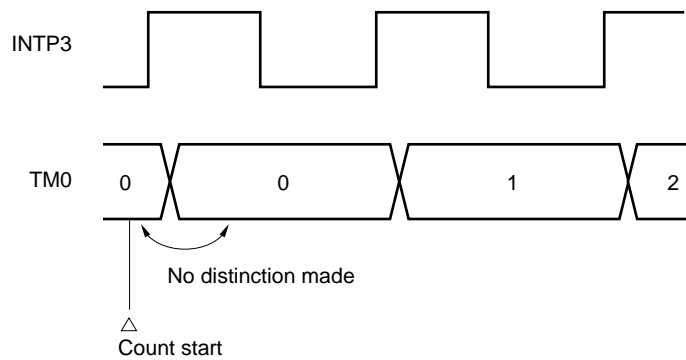
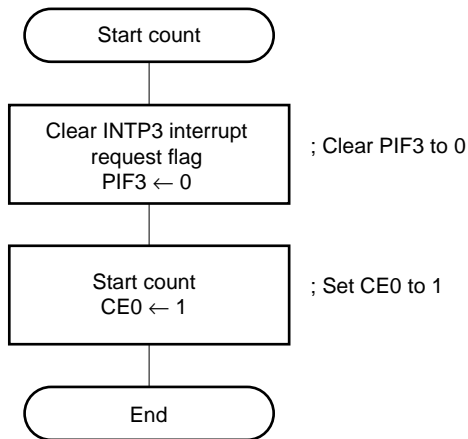
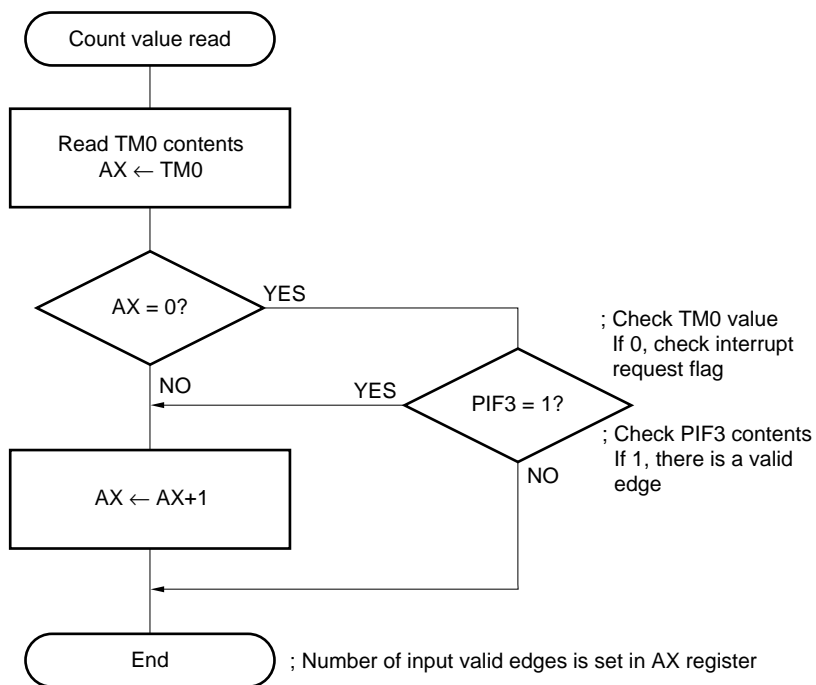


Figure 9-12. To Distinguish whether One or No Valid Edge has been Input with External Event Counter

(a) Processing when count is started



(b) Processing when count value is read



9.6 Compare Register and Capture Register Operation

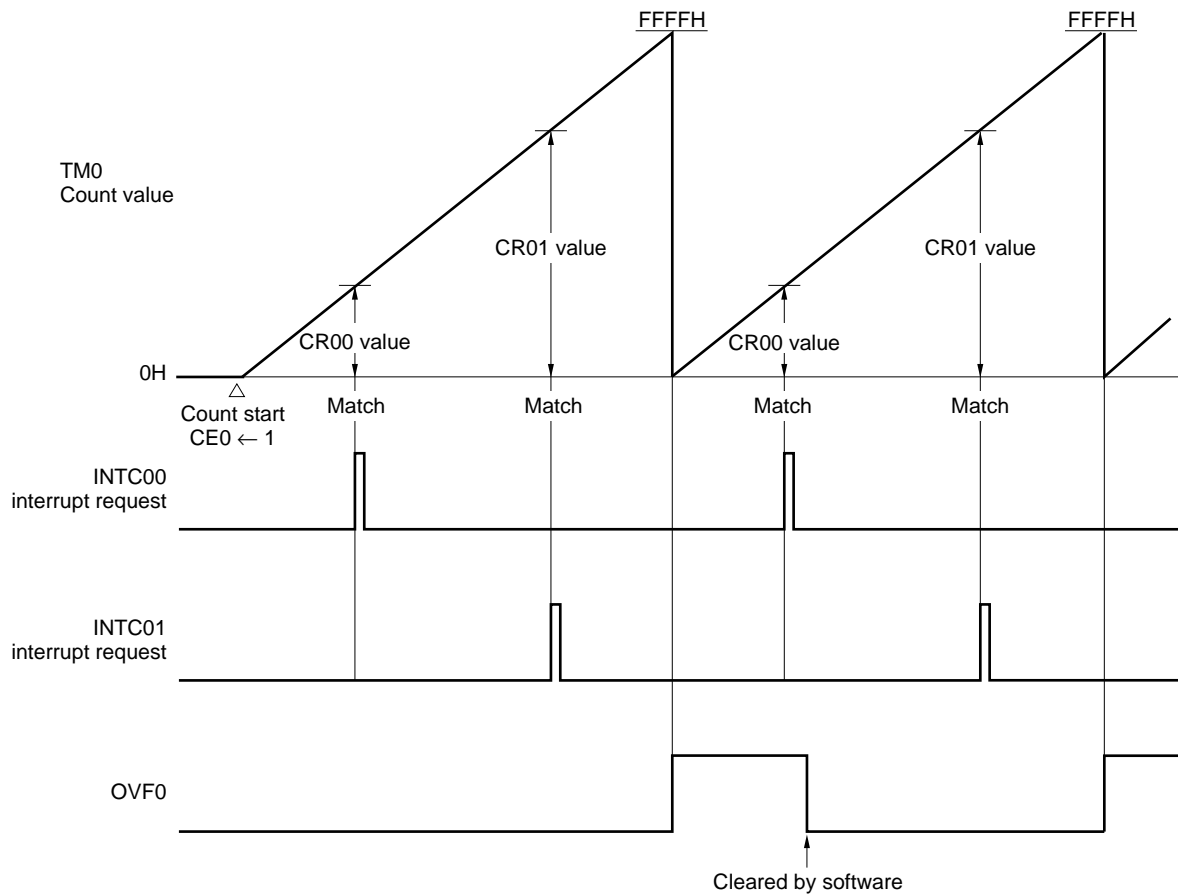
9.6.1 Compare operations

Timer/event counter 0 performs compare operations in which the value set in compare registers (CR00, CR01) are compared with the timer counter 0 (TM0) count value.

If the count value of TM0 matches the preset CR0n ($n = 0, 1$) value as the result of the count operation, a match signal is sent to the output control circuit, and at the same time an interrupt request (INTC00/INTC01) is generated.

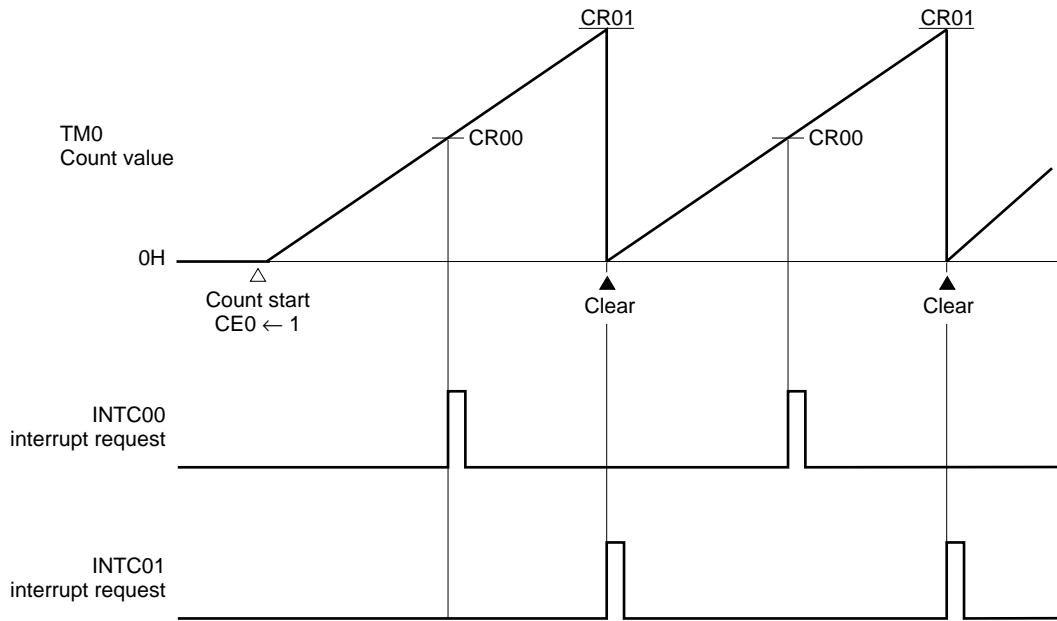
After a match with the CR01 value, the TM0 count value can be cleared, and the timer functions as an interval timer that repeatedly counts up to the value set in the CR01.

Figure 9-13. Compare Operation



Remark CLR01 = 0

Figure 9-14. TM0 Clearance After Match Detection



Remark CLR01 = 0

9.6.2 Capture operations

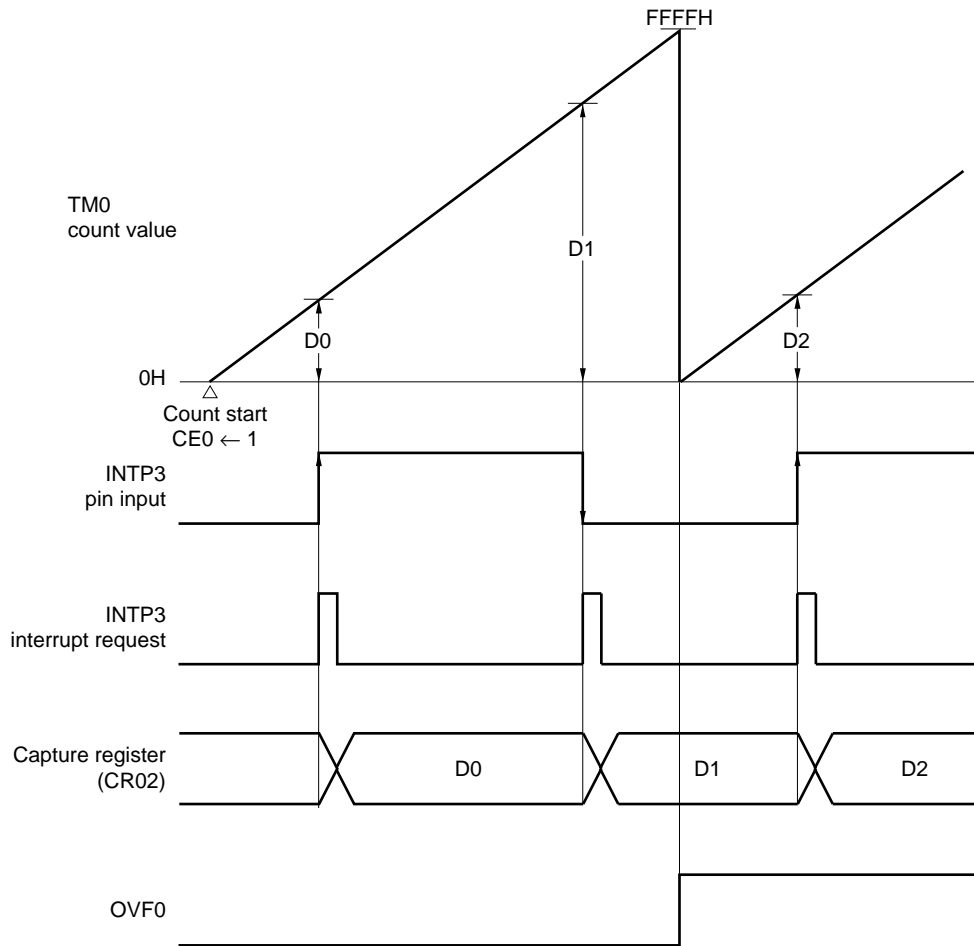
Timer/event counter 0 performs capture operations in which the timer counter 0 (TM0) count value is fetched into the capture register in synchronization with an external trigger, and retained there.

A valid edge detected from the input of the external interrupt request input pin (INTP3) is used as the external trigger (capture trigger). The count value of TM0 in the process of being counted is fetched into the capture register (CR02) in synchronization with the capture trigger, and is retained there. The contents of the CR02 are retained until the next capture trigger is generated.

The capture trigger valid edge is set by means of external interrupt mode register 1 (INTM1). If both rising and falling edges are set as capture triggers, the width of pulses input from off-chip can be measured. Also, if a capture trigger is generated by a single edge, the input pulse cycle can be measured.

See **Figure 22-2** for details of the INTM1.

Figure 9-15. Capture Operation



Remark Dn: TM0 count value (n = 0, 1, 2, ...)
CLR01 = 0

9.7 Basic Operation of Output Control Circuit

The output control circuit controls the timer output pin (TO0/TO1) levels by means of overflow signals or match signals from the compare registers (CR00, CR01). The operation of the output control circuit is determined by the timer output control register (TOC), capture/compare control register 0 (CRC0), and the one-shot pulse output control register (OSPC) (see **Table 9-5**).

When TO0, TO1 signals are output to a pin, the relevant pin must be in control mode in the port 3 mode register (PMC3).

Table 9-5. Timer Output (TO0/TO1) Operations

TOC				OSPC		CRC0			TO1	TO0
ENTO1	ALV1	ENTO0	ALV0	OS1	OS0	MOD1	MOD0	CLR01		
0	0/1	0	0/1	×	×	×	×	×	High/low level fixed	High/low level fixed
0	0/1	1	0/1	×	0	0	0	×	High/low level fixed	Toggle output (active-low/high)
0	0/1	1	0/1	×	0	0	1	0	High/low level fixed	PWM output (active-high/low)
0	0/1	1	0/1	×	0	1	0	0	High/low level fixed	PWM output (active-high/low)
0	0/1	1	0/1	×	0	1	1	1	High/low level fixed	PPG output (active-high/low)
0	0/1	1	0/1	×	1	×	×	×	High/low level fixed	One-shot pulse output (active-low/high)
1	0/1	0	0/1	0	×	0	×	×	Toggle output (active-low/high)	High/low level fixed
1	0/1	0	0/1	0	×	1	0	0	PWM output (active-high/low)	High/low level fixed
1	0/1	0	0/1	0	×	1	1	×	Toggle output (active-low/high)	High/low level fixed
1	0/1	0	0/1	1	×	×	×	×	One-shot pulse output (active-low/high)	High/low level fixed
1	0/1	1	0/1	0	0	0	0	×	Toggle output (active-low/high)	Toggle output (active-low/high)
1	0/1	1	0/1	0	0	0	1	0	Toggle output (active-low/high)	PWM output (active-high/low)
1	0/1	1	0/1	0	0	1	0	0	PWM output (active-high/low)	PWM output (active-high/low)
1	0/1	1	0/1	0	0	1	1	1	Toggle output (active-low/high)	PPG output (active-high/low)
1	0/1	1	0/1	0	1	0	×	×	Toggle output (active-low/high)	One-shot pulse output (active-low/high)
1	0/1	1	0/1	0	1	1	0	0	PWM output (active-high/low)	One-shot pulse output (active-low/high)
1	0/1	1	0/1	0	1	1	1	1	Toggle output (active-low/high)	One-shot pulse output (active-low/high)
1	0/1	1	0/1	1	0	0	0	×	One-shot pulse output (active-low/high)	Toggle output (active-low/high)
1	0/1	1	0/1	1	0	0	1	0	One-shot pulse output (active-low/high)	PWM output (active-high/low)
1	0/1	1	0/1	1	0	1	0	0	One-shot pulse output (active-low/high)	PWM output (active-high/low)
1	0/1	1	0/1	1	0	1	1	1	One-shot pulse output (active-low/high)	PPG output (active-high/low)
1	0/1	1	0/1	1	1	×	×	×	One-shot pulse output (active-low/high)	One-shot pulse output (active-low/high)

Remarks 1. In the ALVn (n = 0, 1) columns, the figures on the left and right of the slash (“/”) correspond to the items on the left and right of the slash in the TOn (n = 0, 1) columns.

- The “×” mark indicates that the operation is the same for either 0 or 1, but some prohibited combinations are included (see **Figure 9-4**).
- Use with combinations not shown in this table is prohibited.

9.7.1 Basic operation

Setting (to 1) the ENTOn (n = 0, 1) bit of the timer output control register (TOC) enables timer output (TOn: n = 0, 1) to be varied at a timing in accordance with the settings of MOD0, MOD1, and CLR01 bits of capture/compare register 0 (CRC0) and the one-shot pulse output control register (OSPC).

Clearing (to 0) ENTOn sets the TOn to a fixed level. The fixed level is determined by the ALVn (n = 0, 1) bit of the TOC. The level is high when ALVn is 0, and low when 1.

9.7.2 Toggle output

Toggle output is an operation mode in which the output level is inverted each time the compare register (CR00/CR01) value coincides with the timer counter 0 (TM0) value. The output level of timer output (TO0) is inverted by a match between CR00 and TM0, and the output level of TO1 is inverted by a match between CR01 and TM0.

When timer/event counter 0 is stopped by clearing (to 0) the CE0 bit of the timer control register 0 (TMC0), the inactive level (ALVn: n = 0, 1) is output.

Figure 9-16. Toggle Output Operation

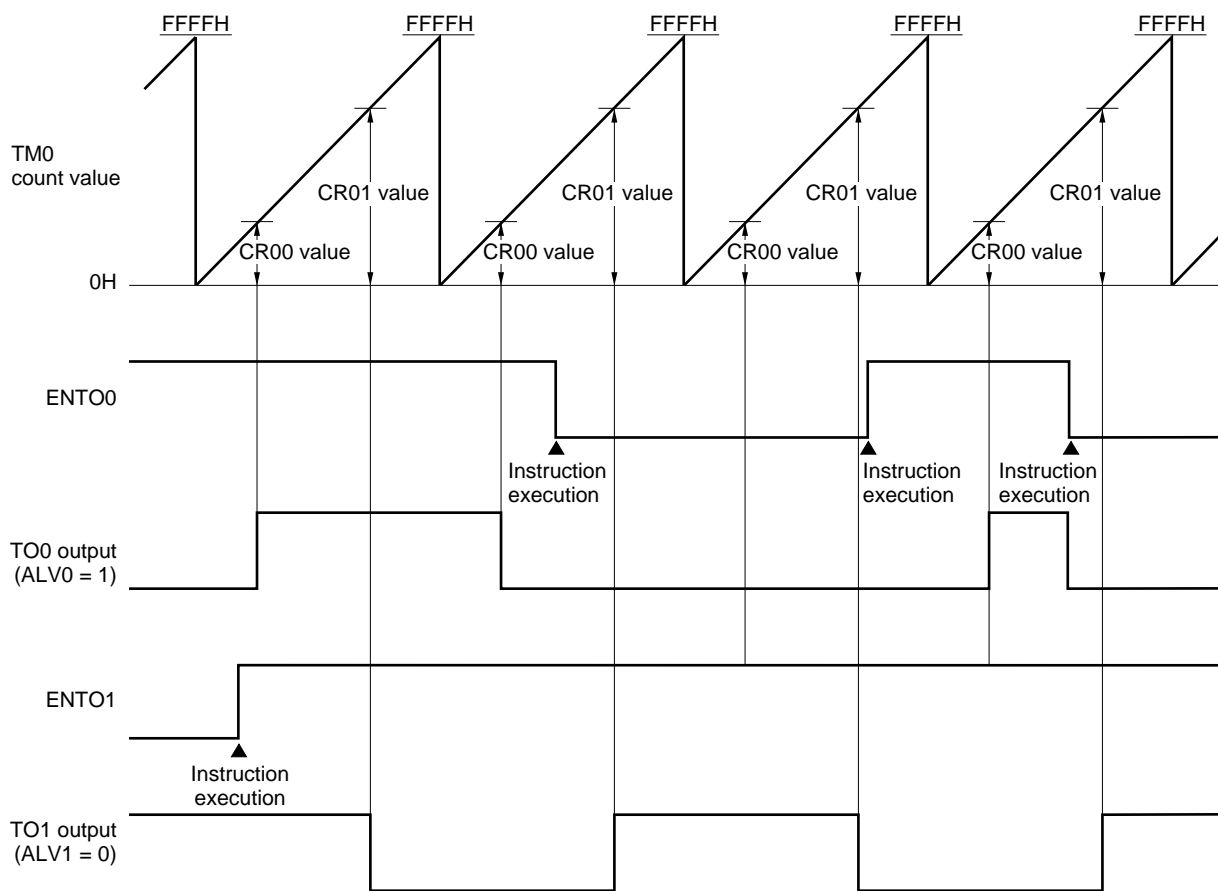


Table 9-6. TO0, TO1 Toggle Output ($f_{xx} = 12.58$ MHz)

Count Clock	Minimum Pulse Width	Maximum Interval Time
$f_{xx}/4$	$0.32 \mu\text{s}$	0.02 s
$f_{xx}/8$	$0.64 \mu\text{s}$	0.04 s
$f_{xx}/16$	$1.27 \mu\text{s}$	0.08 s
$f_{xx}/32$	$2.54 \mu\text{s}$	0.17 s
$f_{xx}/64$	$5.09 \mu\text{s}$	0.33 s
$f_{xx}/128$	$10.17 \mu\text{s}$	0.67 s
$f_{xx}/256$	$20.35 \mu\text{s}$	1.33 s
$f_{xx}/512$	$40.70 \mu\text{s}$	2.67 s
$f_{xx}/1,024$	$81.40 \mu\text{s}$	5.33 s

9.7.3 PWM output

(1) Basic operation of PWM output

In this mode, a PWM signal with the period in which timer counter 0 (TM0) reaches a full count used as one cycle is output. The timer output (TO0) pulse width is determined by the value of compare register (CR00), and the timer output (TO1) pulse width is determined by the value of compare register (CR01). When this function is used, the CLR01 bit of capture/compare control register 0 (CRC0) must be set to 0.

The pulse cycle and pulse width are as shown below.

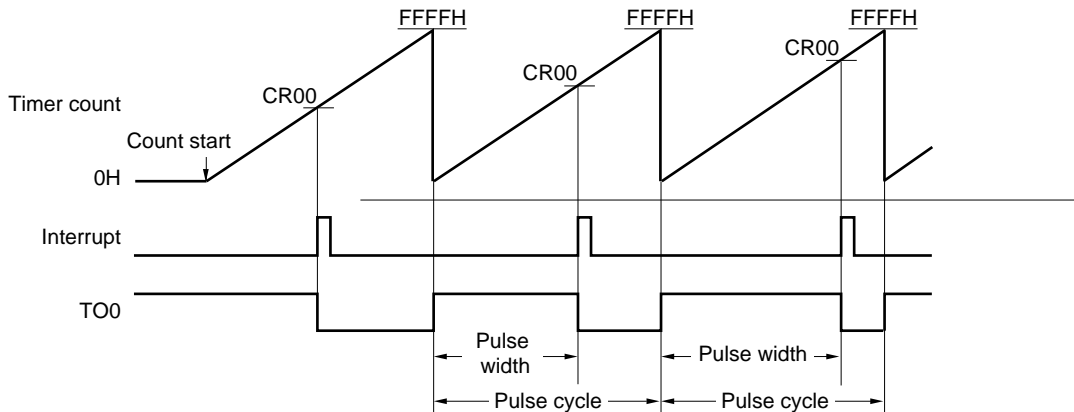
- PWM cycle = $65,536 \times x/f_{xx}$
- PWM pulse width = $CR0n \times x/f_{xx}$ ^{Note: x = 4, 8, 16, 32, 64, 128, 256, 512, 1,024}

Note 0 cannot be set in the CR0n.

• $Duty = \frac{PWM\ pulse\ width}{PWM\ cycle} = \frac{CR0n}{65,536}$

Remark n = 0, 1

Figure 9-17. PWM Pulse Output



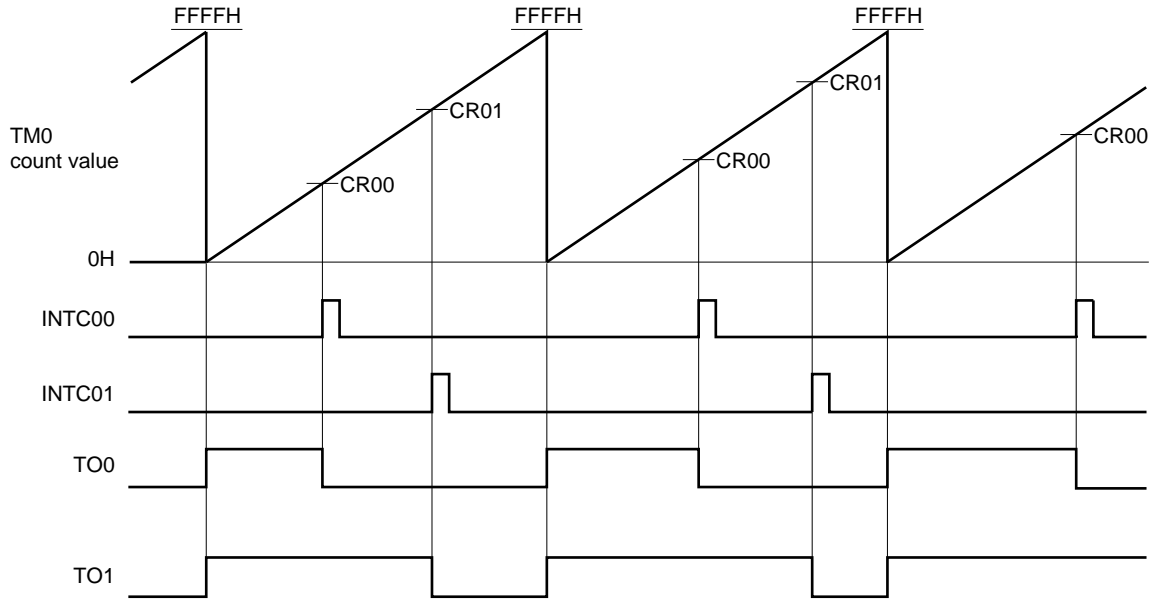
Remark ALV0 = 0

Table 9-7. TO0, TO1 PWM Cycle (f_{xx} = 12.58 MHz)

Count Clock	Minimum Pulse Width [μs]	PWM Cycle [s]	PWM Frequency [Hz]
f _{xx} /4	0.32	0.02	47.6
f _{xx} /8	0.64	0.04	23.8
f _{xx} /16	1.27	0.08	12.0
f _{xx} /32	2.54	0.17	6.0
f _{xx} /64	5.09	0.33	3.0
f _{xx} /128	10.17	0.67	1.5
f _{xx} /256	20.35	1.33	0.7
f _{xx} /512	40.70	2.67	0.4
f _{xx} /1,024	81.40	5.33	0.2

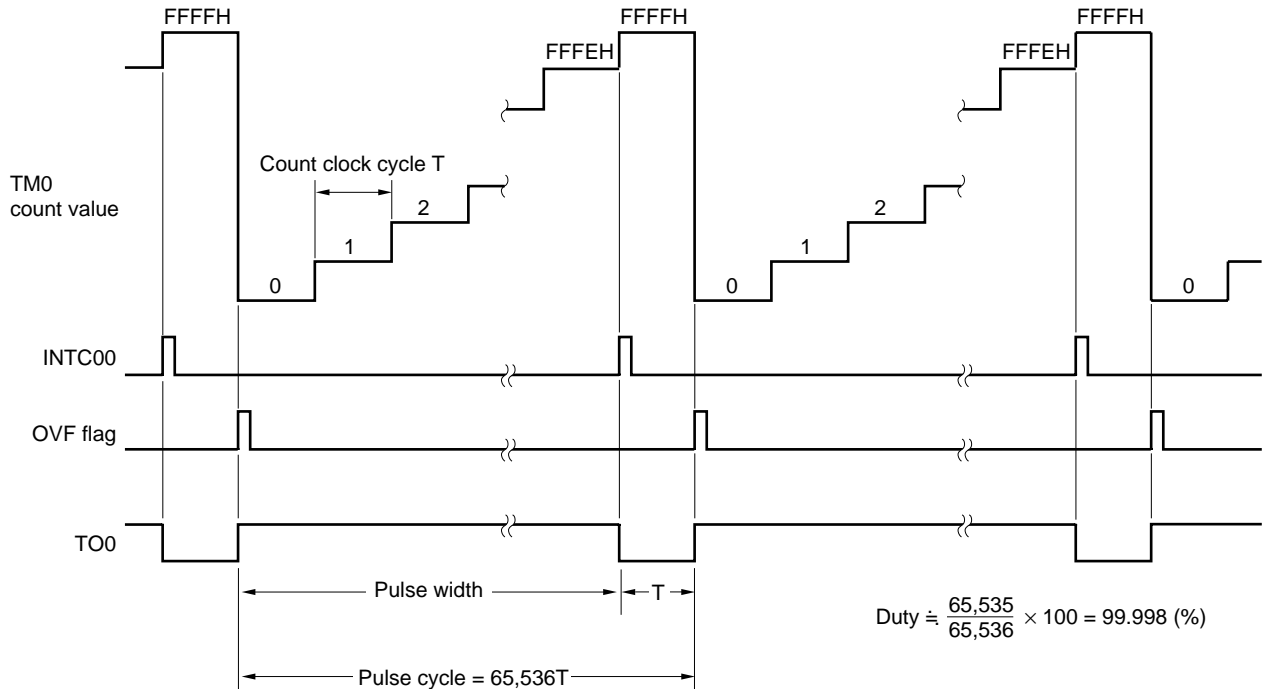
Figure 9-18 shows an example of 2-channel PWM output, and Figure 9-19 shows the operation of the case where FFFFH is set in the CR00.

Figure 9-18. Example of PWM Output Using TM0



Remark ALV0 = 0, ALV1 = 0

Figure 9-19. Example of PWM Output when CR00 = FFFFH

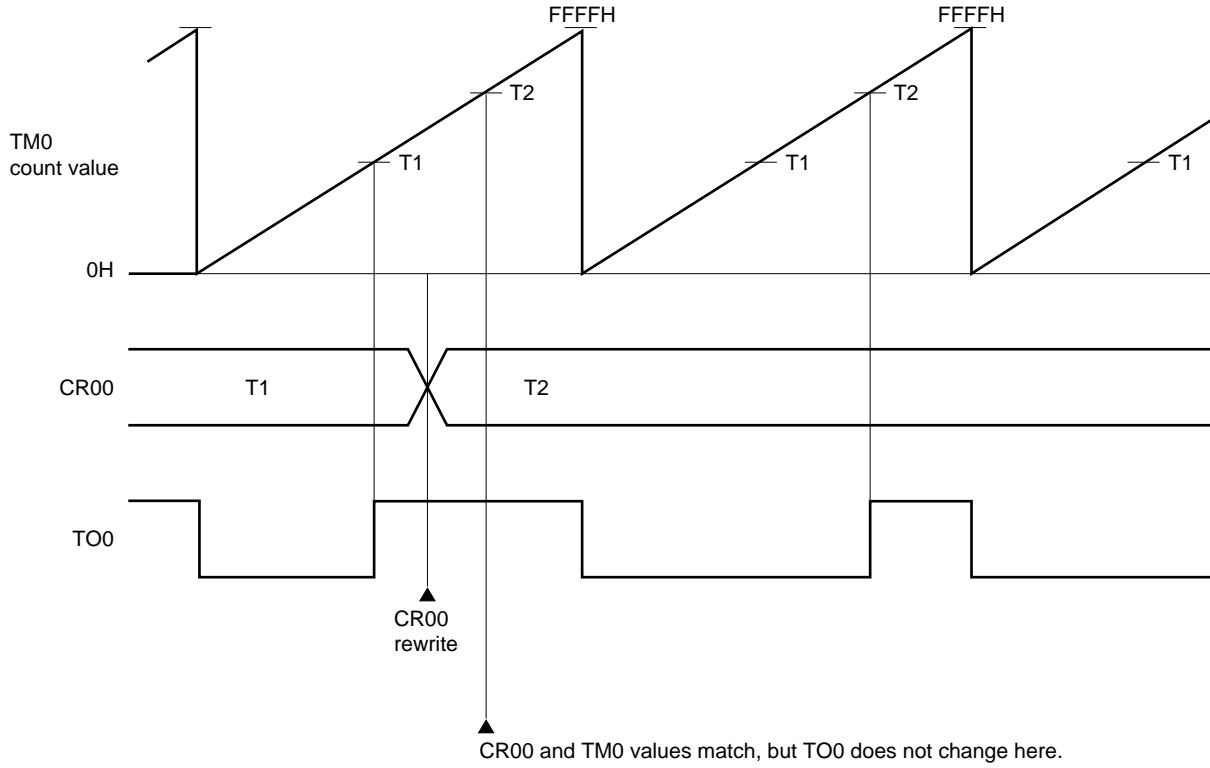


- Remarks 1. ALV0 = 0
 2. $T = x/f_{xx}$ ($x = 4, 8, 16, 32, 64, 128, 256, 512, 1,024$)

(2) Rewriting compare registers (CR00, CR01)

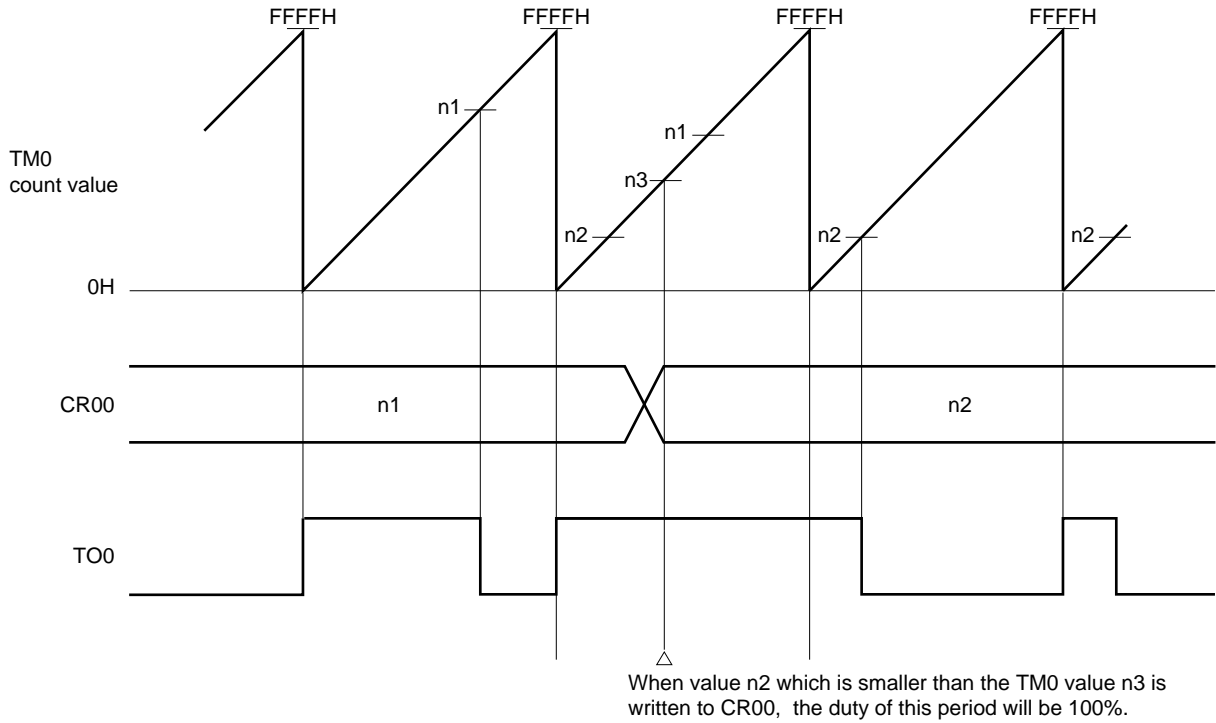
The output level of the timer output (TOn: n = 0, 1) does not change even if the CR0n (n = 0, 1) value matches the timer counter 0 (TM0) value more than once during one PWM output cycle.

Figure 9-20. Example of Compare Register (CR00) Rewrite



If a value smaller than that of the TM0 is set as the CR0n value, a 100% duty PWM signal will be output. CR0n rewriting should be performed by the interrupt due to a match between TM0 and the CR0n on which the rewrite is performed.

Figure 9-21. Example of 100% Duty with PWM Output

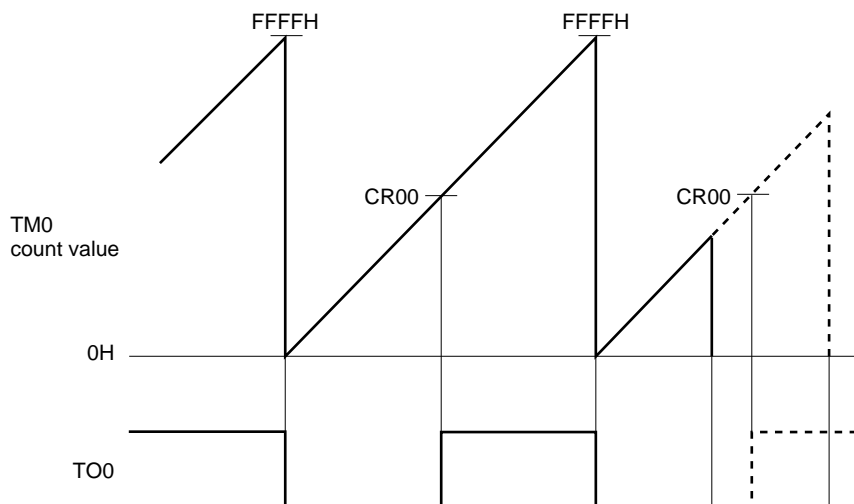


Remark ALV0 = 0

(3) Stopping PWM output

If timer/event counter 0 is stopped by clearing (to 0) the CE0 bit of the timer control register 0 (TMC0) during PWM signal output, the active level is output.

Figure 9-22. When Timer/Event Counter 0 is Stopped During PWM Signal Output



Remark ALV0 = 1

Caution The output level of the TOn ($n = 0, 1$) pin when timer output is disabled ($ENTOn = 0: n = 0, 1$) is the inverse of the value set in ALVn ($n = 0, 1$) bit. Caution is therefore required as the active level is output when timer output is disabled when the PWM output function has been selected.

9.7.4 PPG output

(1) Basic operation of PPG output

This function outputs a square-wave with the time determined by compare register CR01 value as one cycle, and the time determined by compare register CR00 value as the pulse width. The PWM cycle output by the PWM is made variable. This signal can only be output from the timer output (TO0).

When this function is used, the CLR01 bit of capture/compare control register 0 (CRC0) must be set to 1.

The pulse cycle and pulse width are as shown below.

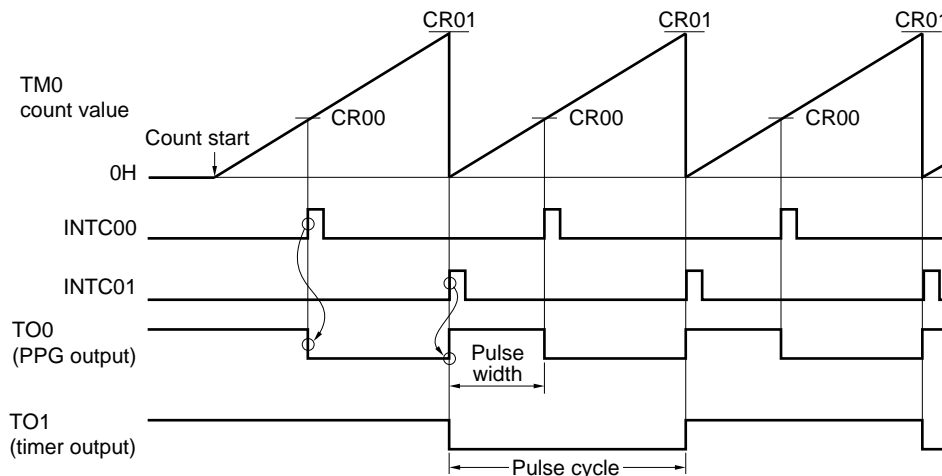
- PPG cycle = $(CR01 + 1) \times x/f_{xx}$; $x = 4, 8, 16, 32, 64, 128, 256, 512, 1,024$
- PPG pulse width = $CR00 \times x/f_{xx}$

where $1 \leq CR00 \leq CR01$

$$\bullet \text{ Duty} = \frac{\text{PPG pulse width}}{\text{PPG cycle}} = \frac{CR00}{CR01 + 1}$$

Figure 9-23 shows an example of PPG output using timer counter 0 (TM0), Figure 9-24 shows an example of the case where $CR00 = CR01$.

Figure 9-23. Example of PPG Output Using TM0

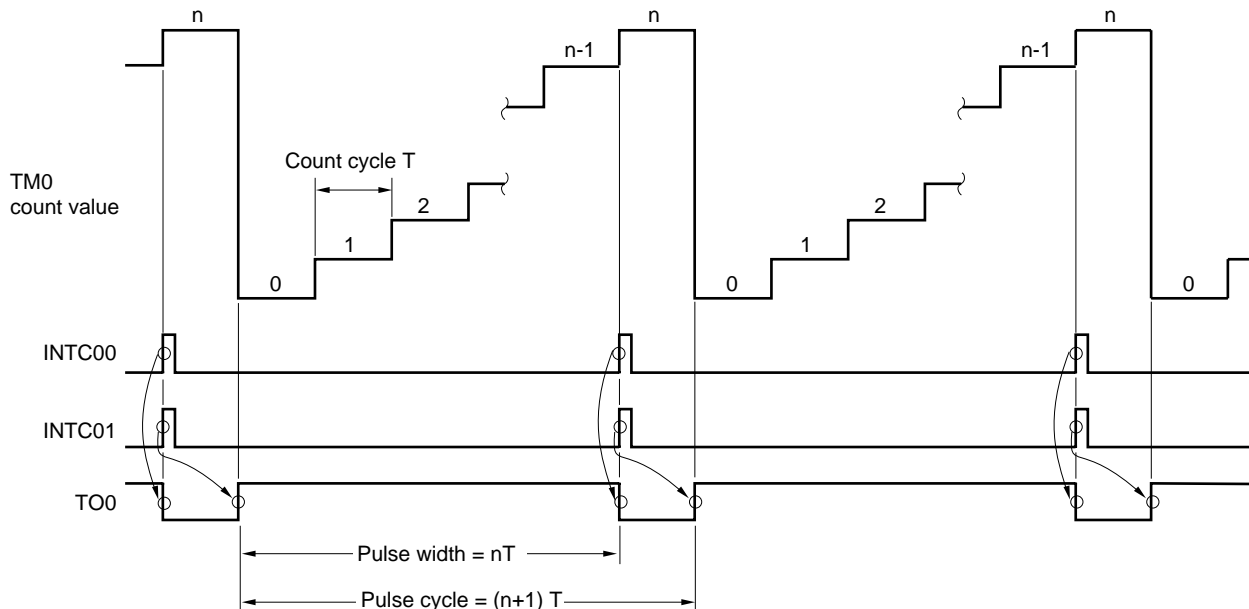


Remark ALV0 = 0, ALV1 = 0

Table 9-8. TO0 PPG Output ($f_{xx} = 12.58 \text{ MHz}$)

Count Clock	Minimum Pulse Width [μs]	PPG Cycle	PPG Frequency
$f_{xx}/4$	0.32	0.64 μs to 20.84 ms	1572 kHz to 48.0 Hz
$f_{xx}/8$	0.64	1.27 μs to 41.68 ms	786 kHz to 24.0 Hz
$f_{xx}/16$	1.27	2.54 μs to 83.35 ms	393 kHz to 12.0 Hz
$f_{xx}/32$	2.54	5.09 μs to 166.71 ms	197 kHz to 6.0 Hz
$f_{xx}/64$	5.09	10.17 μs to 333.41 ms	98.3 kHz to 3.0 Hz
$f_{xx}/128$	10.17	20.35 μs to 666.82 ms	49.1 kHz to 1.5 Hz
$f_{xx}/256$	20.35	40.70 μs to 1.33 s	24.6 kHz to 0.7 Hz
$f_{xx}/512$	40.70	81.40 μs to 2.67 s	12.3 kHz to 0.4 Hz
$f_{xx}/1,024$	81.40	162.80 μs to 5.33 s	6.1 kHz to 0.2 Hz

Figure 9-24. Example of PPG Output when $\text{CR00} = \text{CR01}$



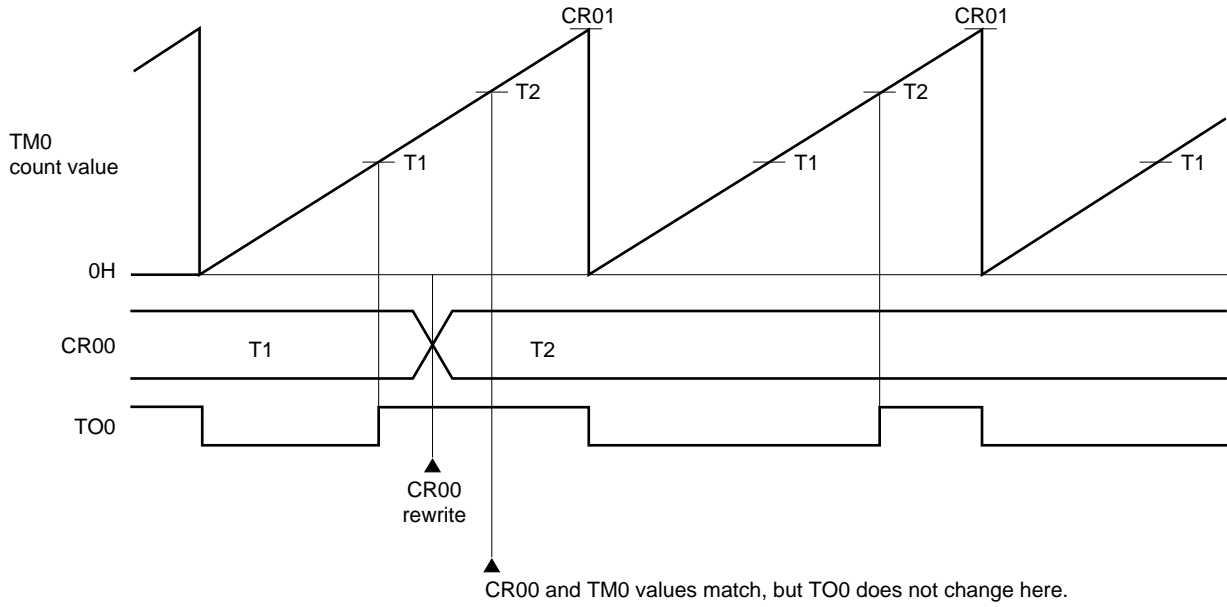
Remark ALV0 = 0

$$T = x/f_{xx} \quad (x = 4, 8, 16, 32, 64, 128, 256, 512, 1,024)$$

(2) Rewriting compare register (CR00)

The output level of the timer output (TO0) does not change even if the CR00 value matches the timer counter 0 (TM0) value more than once during one PPG output cycle.

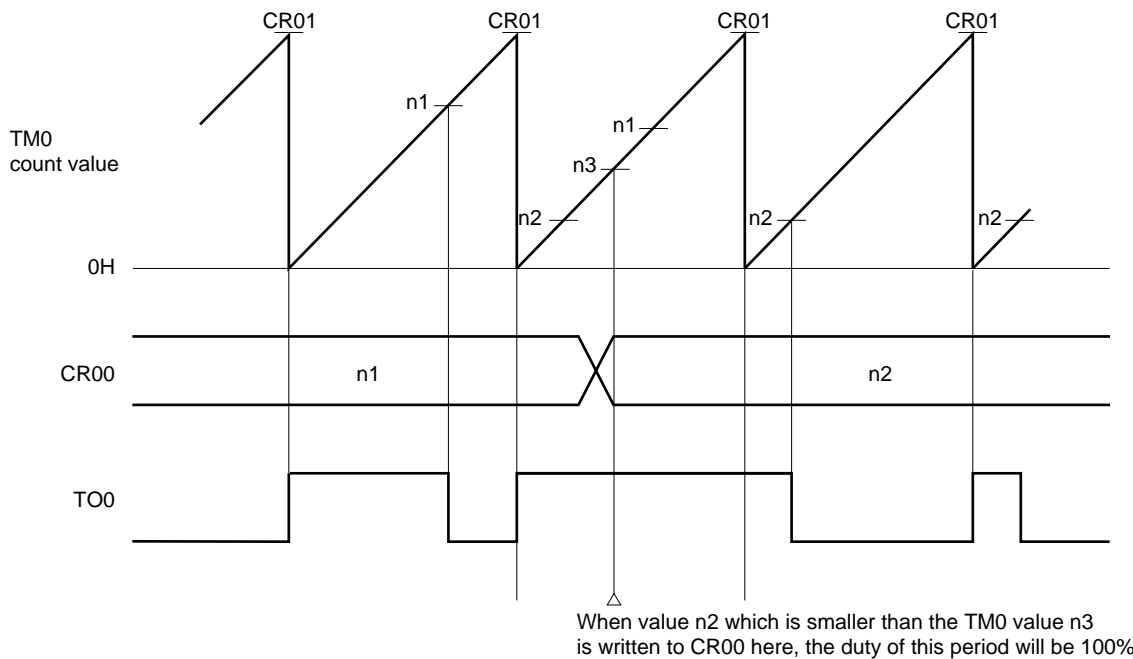
Figure 9-25. Example of Compare Register (CR00) Rewrite



Remark ALV0 = 1

If a value equal to or less than the TM0 value is written to CR00 before the compare register (CR00) and timer counter 0 (TM0) match, the duty of the PPG cycle will be 100%. CR00 rewriting should be performed by the interrupt due to a match between TM0 and CR00.

Figure 9-26. Example of 100% Duty with PPG Output



Remark ALV0 = 0

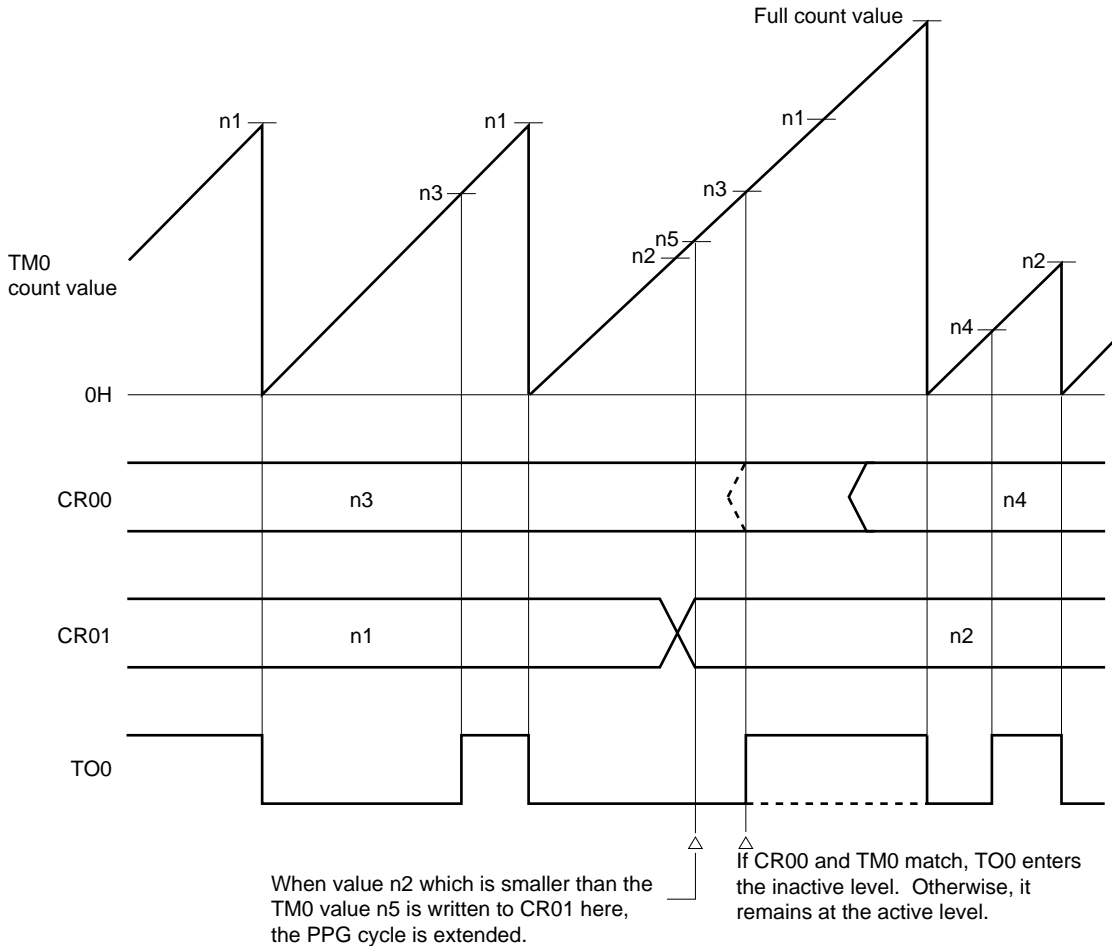
Caution If the PPG cycle is extremely short as compared with the time required to acknowledge an interrupt, the value of CR00 cannot be rewritten by interrupt processing that is performed on coincidence between TM0 and CR00. Use another method (for example, to poll the interrupt request flags by software with all the interrupts masked).

(3) Rewriting compare register (CR01)

If the current value of the CR01 is changed to a smaller value, and the CR01 value is made smaller than the timer counter 0 (TM0) value, the PPG cycle at that time will be extended to the time equivalent to a full-count by TM0. If CR01 is rewritten after the compare register (CR00) and TM0 match, the output level at this time will be the inactive level until TM0 overflows and becomes 0, and will then return to normal PPG output.

If CR01 is rewritten before CR00 and TM0 match, the active level will be output until CR00 and TM0 match. If CR00 and TM0 match before TM0 overflows and becomes 0, the inactive level is output at that point. When TM0 overflows and becomes 0, the active level will be output, and normal PPG output will be restored. CR01 rewriting should be performed by the interrupt due to a match between TM0 and CR01, etc.

Figure 9-27. Example of Extended PPG Output Cycle



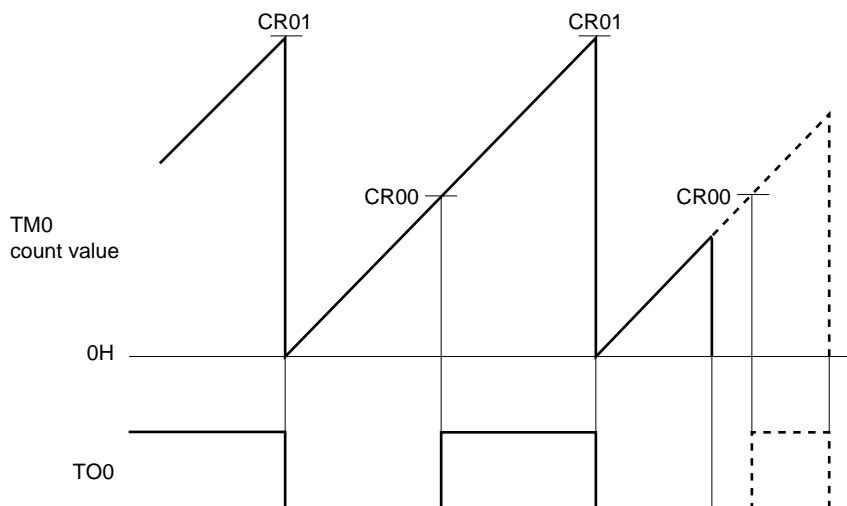
Remark ALV0 = 1

Caution If the PPG cycle is extremely short as compared with the time required to acknowledge an interrupt, the value of CR01 cannot be rewritten by interrupt processing that is performed on coincidence between the timer counter 0 (TM0) and compare register (CR01). Use another method (for example, to poll the interrupt request flags by software with all the interrupts masked).

(4) Stopping PPG output

If timer/event counter 0 is stopped by clearing (to 0) the CE0 bit of the timer control register 0 (TMC0) during PPG signal output, the active level is output irrespective of the output level at the time it was stopped.

Figure 9-28. When Timer/Event Counter 0 is Stopped During PPG Signal Output



Caution The output level of the TOn ($n = 0, 1$) pin when timer output is disabled ($ENTOn = 0$: $n = 0, 1$) is the inverse of the value set in ALVn ($n = 0, 1$) bit. Caution is therefore required as the active level is output when timer output is disabled when the PPG output function has been selected.

9.7.5 Software triggered one-shot pulse output

In the software triggered one-shot pulse output mode, a one-shot pulse is output by software.

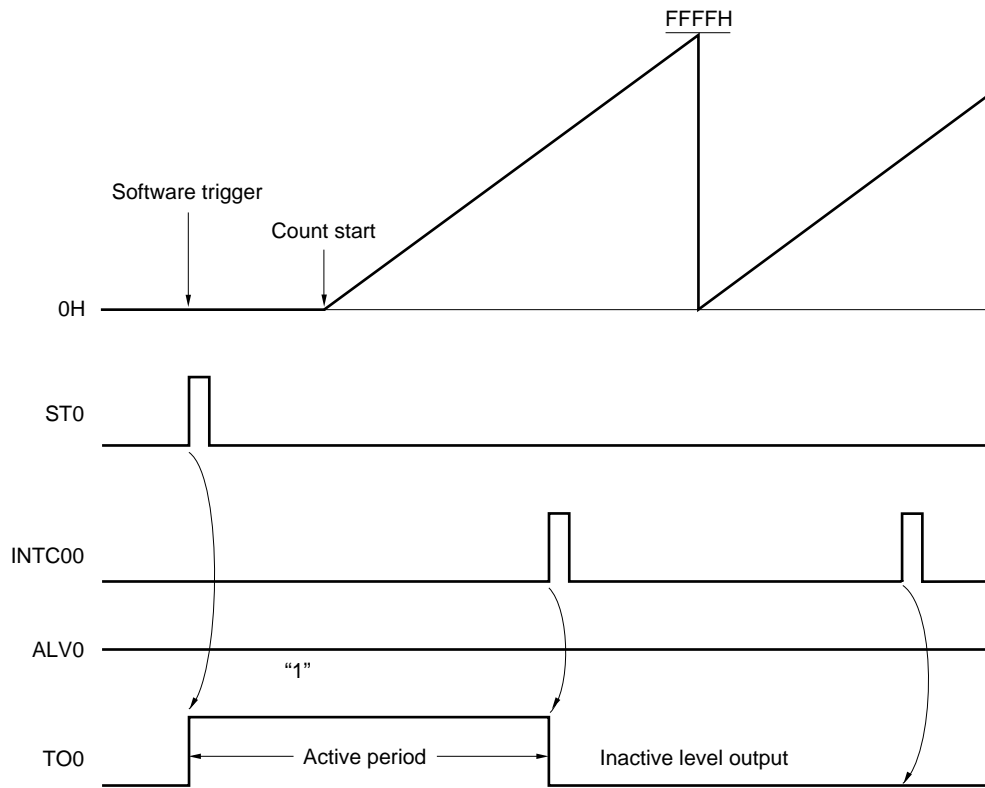
When the STn ($n = 0, 1$) bit of the one-shot pulse output control register (OSPC) is set (1), timer output pin (TOn : $n = 0, 1$) is set to the active level. TOn then remains at the active level until the timer counter 0 ($TM0$) value and the compare register ($CR0n$: $n = 0, 1$) value match, at which point TOn changes to the inactive level. TOn then remains at the inactive level until the STn bit is set again. TOn can also be set to the inactive level by setting (to 1) the RTn bit ($n = 0, 1$), and in the same way, TOn remains at the inactive level until the STn bit is set again.

$TO0$ and $TO1$ can be controlled independently.

An example of software triggered one-shot pulse output is shown in Figure 9-29.

When timer/event counter 0 is stopped by clearing (to 0) the $CE0$ bit of the $TMC0$, the level at the time was stopped is retained.

Figure 9-29. Example of Software Triggered One-Shot Pulse Output



Caution "1" should not be written to STn and RTn simultaneously.

9.8 Examples of Use

9.8.1 Operation as interval timer (1)

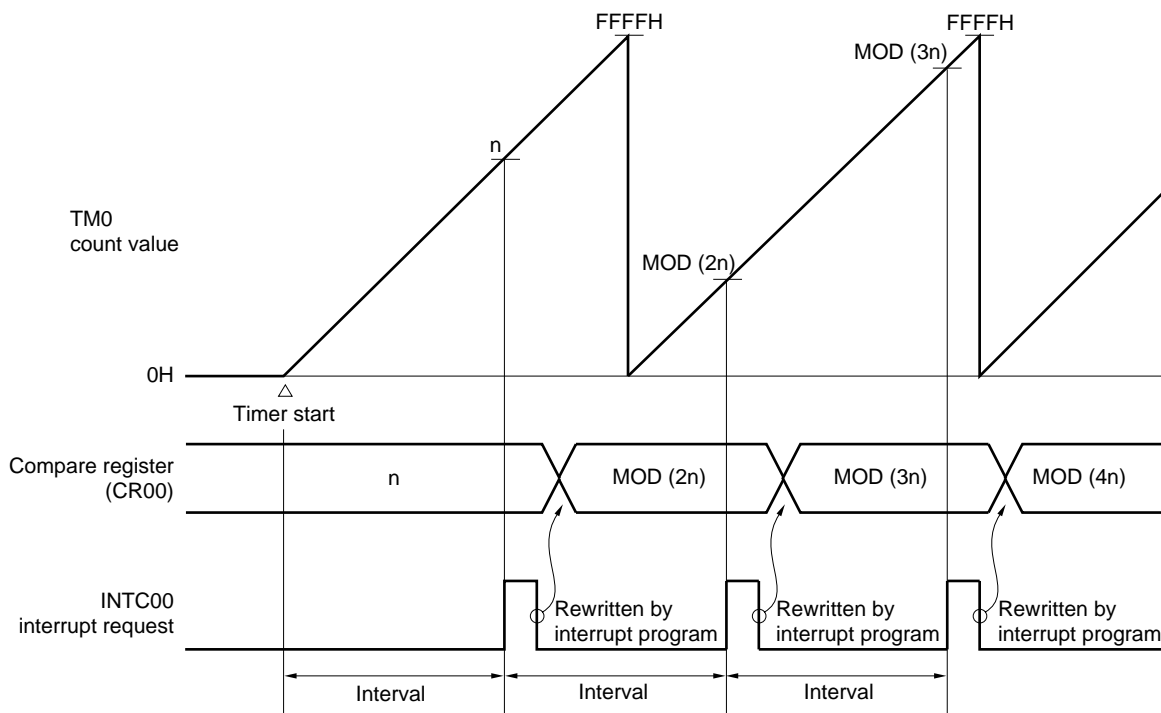
When timer counter 0 (TM0) is made free-running and a fixed value is added to the compare register (CR0n: n = 0, 1) in the interrupt service routine, TM0 operates as an interval timer with the added fixed value as the cycle (see **Figure 9-30**).

This interval timer can count within the range shown in Table 9-1 (internal system clock $f_{xx} = 32$ MHz).

Since TM0 has two compare registers, two interval timers with different cycles can be constructed.

The control register settings are shown in Figure 9-31, the setting procedure in Figure 9-32, and the processing in the interrupt service routine in Figure 9-33.

Figure 9-30. Interval Timer Operation (1) Timing



Remark Interval = $n \times 4/f_{xx}$, $1 \leq n \leq$ FFFFH

Figure 9-31. Control Register Settings for Interval Timer Operation (1)

Capture/compare control register 0 (CRC0)

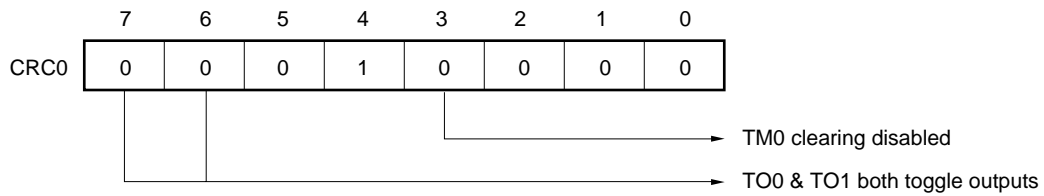


Figure 9-32. Interval Timer Operation (1) Setting Procedure

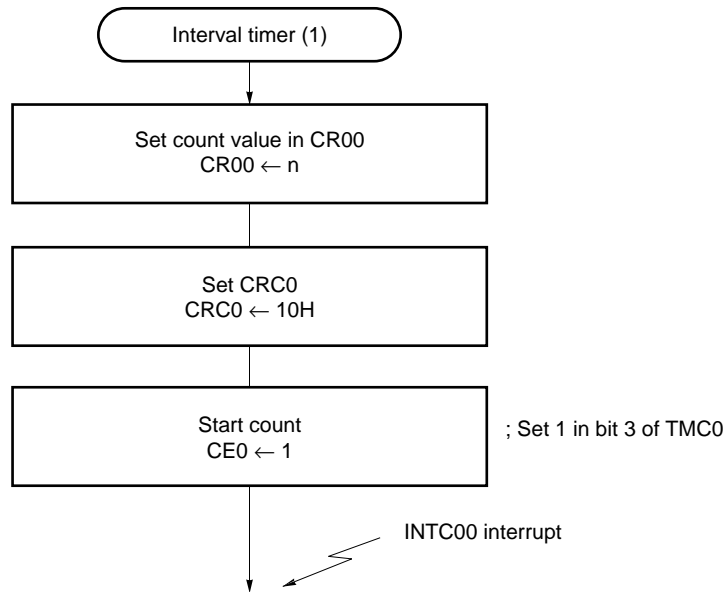
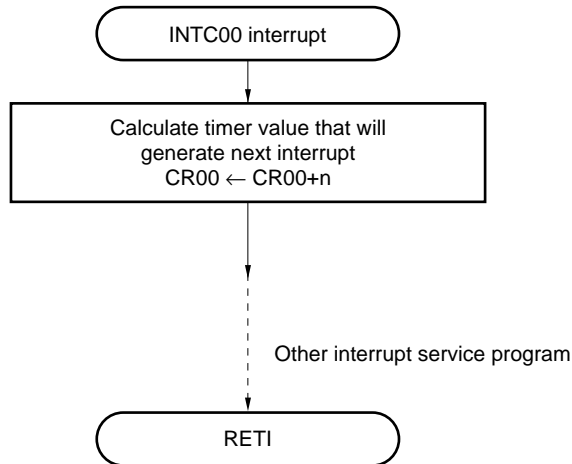


Figure 9-33. Interval Timer Operation (1) Interrupt Request Servicing

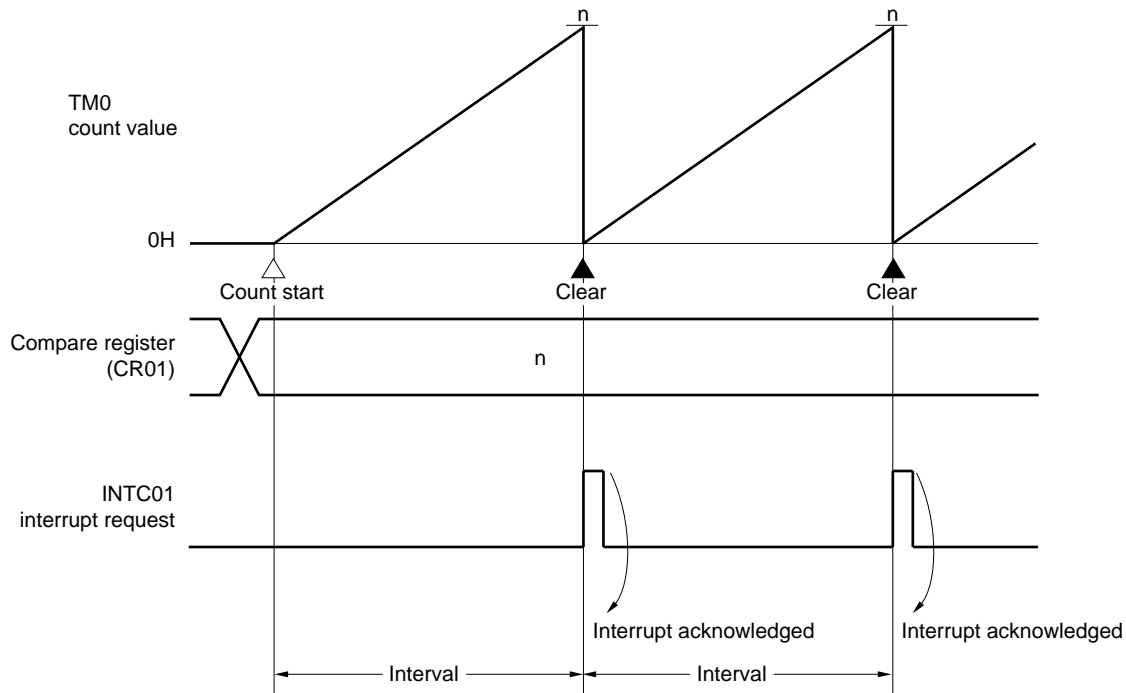


9.8.2 Operation as interval timer (2)

TM0 operates as an interval timer that generates interrupts repeatedly with the preset count time as the interval (see **Figure 9-34**).

This interval timer can count within the range shown in Table 9-1 (internal system clock $f_{xx} = 32$ MHz). The control register settings are shown in Figure 9-35, and the setting procedure in Figure 9-36.

Figure 9-34. Interval Timer Operation (2) Timing



Remark $Interval = (n + 1) \times 4/f_{xx}, 0 \leq n \leq FFFFH$

Figure 9-35. Control Register Settings for Interval Timer Operation (2)

Capture/compare control register 0 (CRC0)

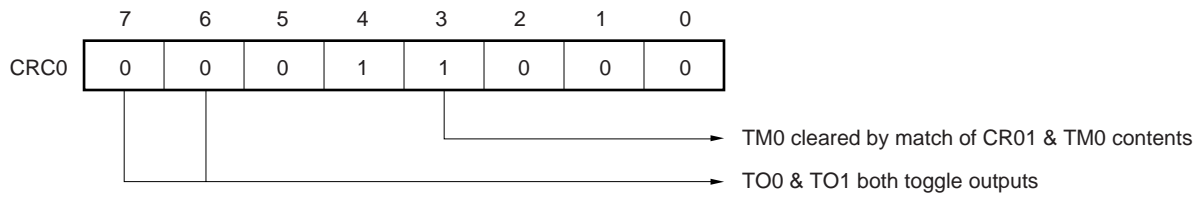
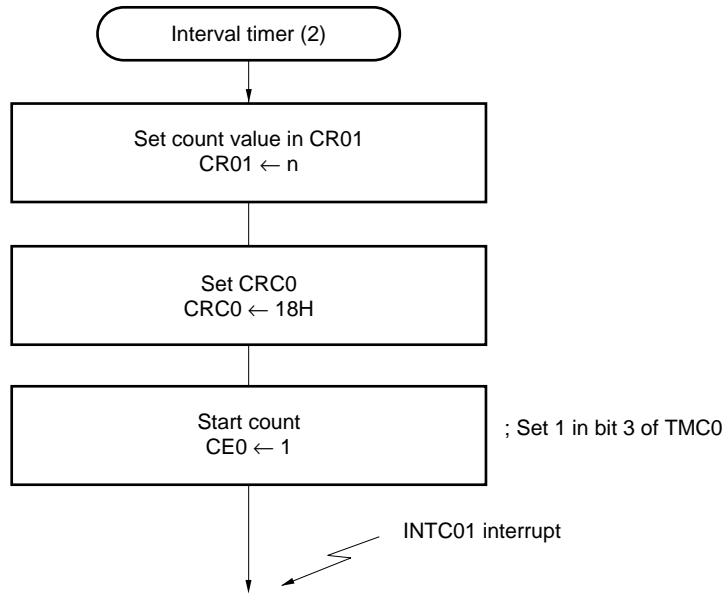


Figure 9-36. Interval Timer Operation (2) Setting Procedure



9.8.3 Pulse width measurement operation

In pulse width measurement, the high-level or low-level width of external pulses input to the external interrupt request input pin (INTP3) is measured.

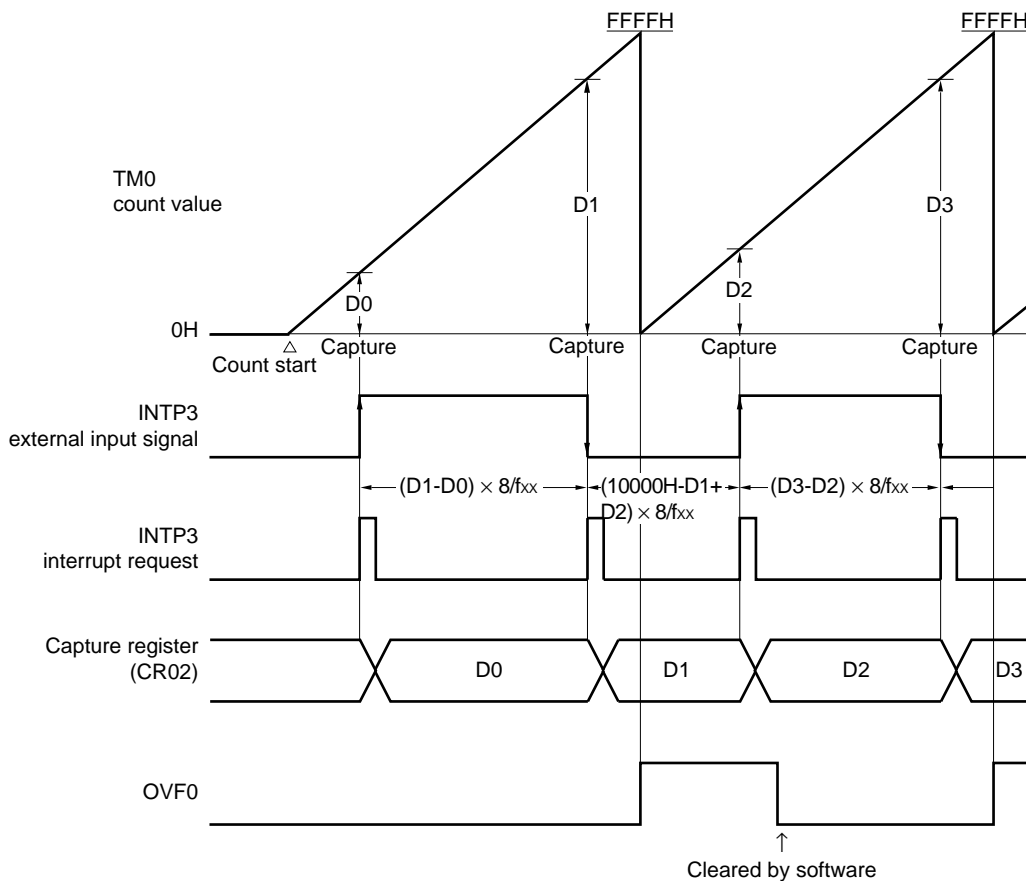
Both the high-level and low-level widths of pulses input to the INTP3 pin must be at least 3 system clocks ($0.24 \mu\text{s}$: $f_{\text{CLK}} = 12.58 \text{ MHz}$); if shorter than this, the valid edge will not be detected and a capture operation will not be performed.

This pulse width measurement can be performed within the range shown in Table 9-3 ($f_{\text{CLK}} = 12.58 \text{ MHz}$).

As shown in Figure 9-37, the timer counter 0 (TM0) value being counted is fetched into the capture register (CR02) in synchronization with a valid edge (specified as both rising and falling edges) in the INTP3 pin input, and held there. The pulse width is obtained from the product of the difference between the TM0 count value (D_n) fetched into and held in the CR02 on detection of the n th valid edge and the count value (D_{n-1}) fetched and held on detection of valid edge $n-1$, and the number of count clocks (x/f_{xx} ; $x = 4, 8, 16, 32, 64, 128, 256, 512, 1,024$).

The control register settings are shown in Figure 9-38, and the setting procedure in Figure 9-39.

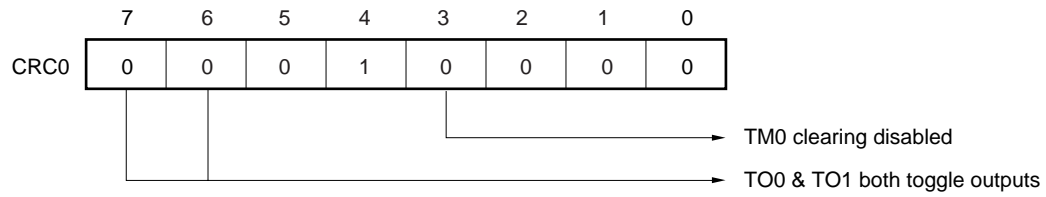
Figure 9-37. Pulse Width Measurement Timing



Remark D_n : TM0 count value ($n = 0, 1, 2, \dots$)
 $x = 4, 8, 16, 32, 64, 128, 256, 512, 1,024$

Figure 9-38. Control Register Settings for Pulse Width Measurement

(a) Capture/compare control register 0 (CRC0)



(b) External interrupt mode register 1 (INTM1)

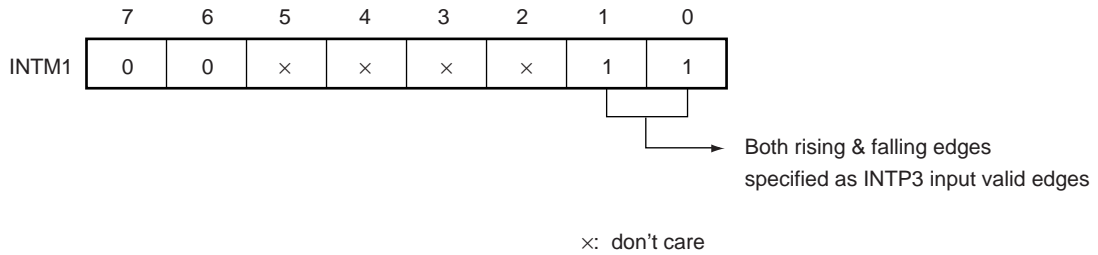


Figure 9-39. Pulse Width Measurement Setting Procedure

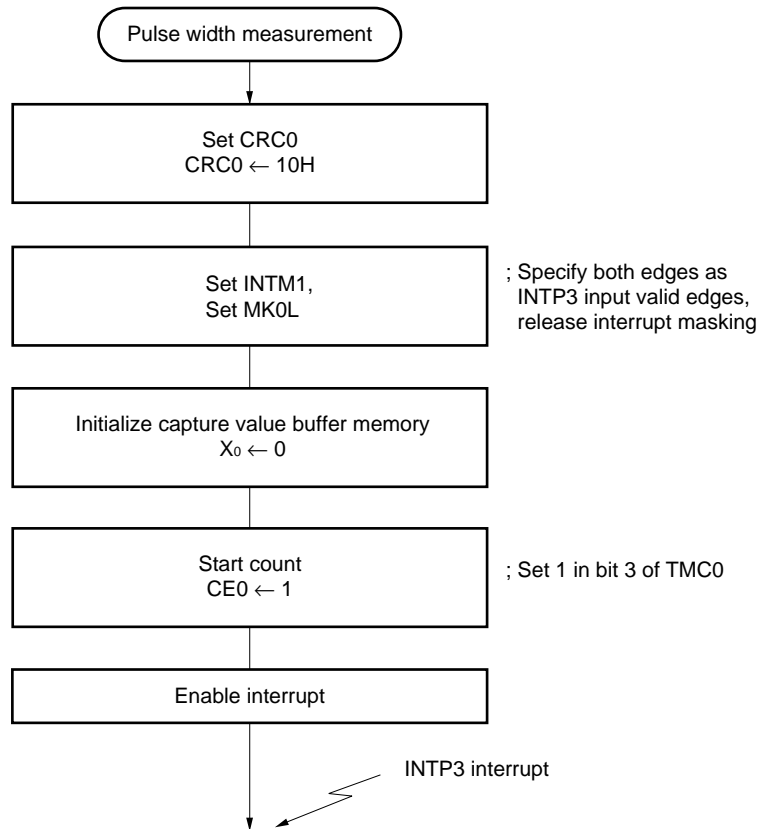
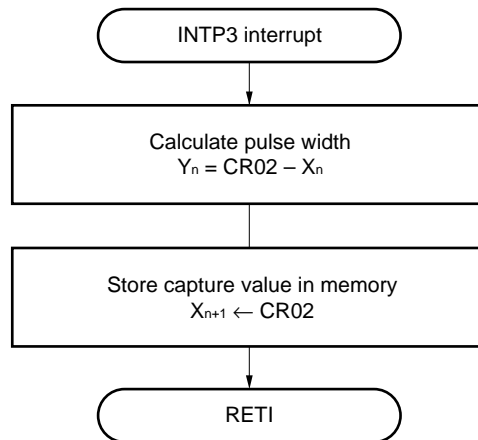


Figure 9-40. Interrupt Request Servicing that Calculates Pulse Width



9.8.4 Operation as PWM output

In PWM output, pulses with the duty ratio determined by the value set in the compare register (CR0n: n = 0, 1) are output (see **Figure 9-41**).

This PWM output duty ratio can be varied in the range 1/65,536 to 65,535/65,536 in 1/65,536 units.

Since timer counter 0 (TM0) has two compare registers, two different PWM signals can be output.

The control register settings are shown in Figure 9-42, the setting procedure in Figure 9-43, and the procedure for varying the duty in Figure 9-44.

Figure 9-41. Example of Timer/Event Counter 0 PWM Signal Output

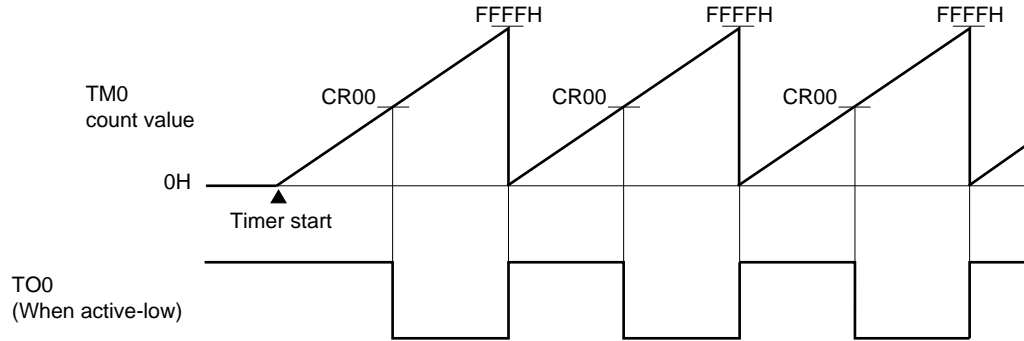
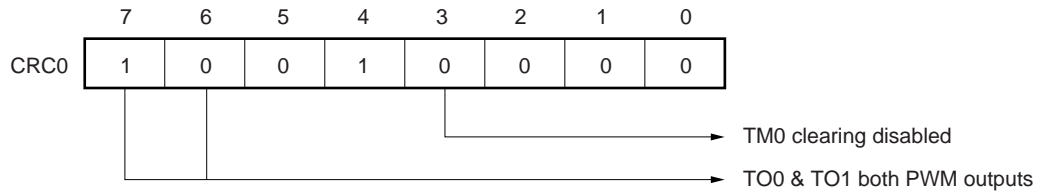
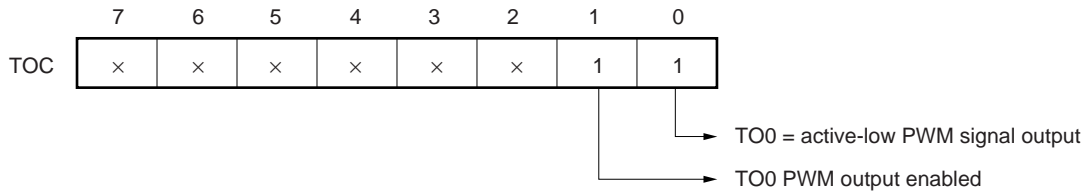


Figure 9-42. Control Register Settings for PWM Output Operation

(a) Capture/compare control register 0 (CRC0)



(b) Timer output control register (TOC)



(c) Port 3 mode control register (PMC3)

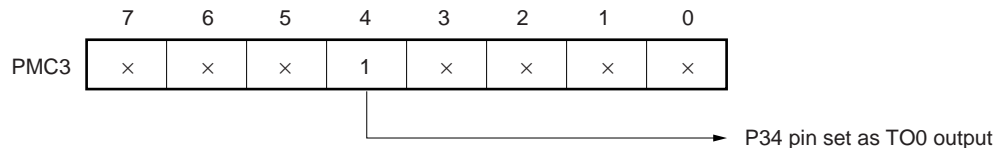


Figure 9-43. PWM Output Setting Procedure

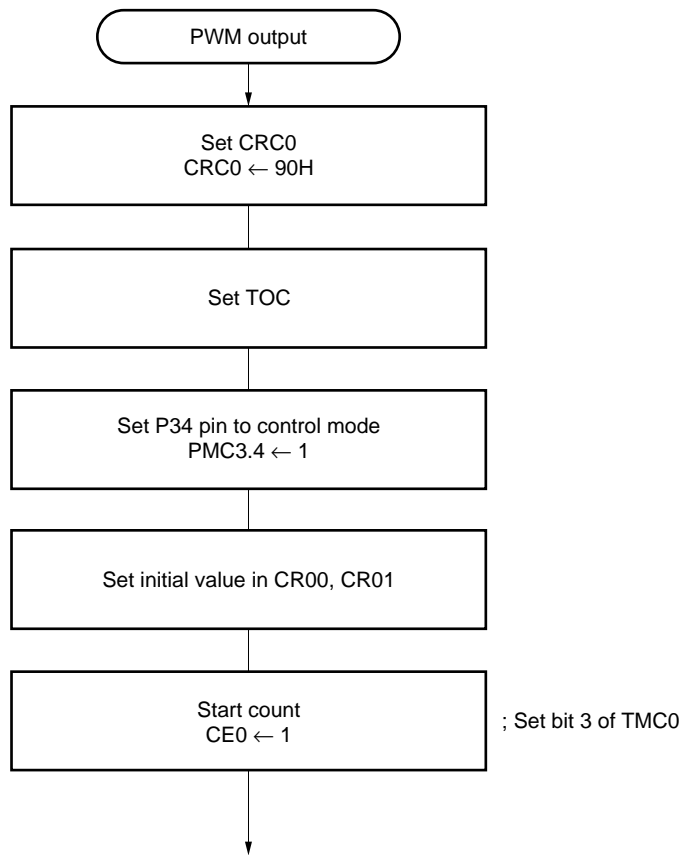
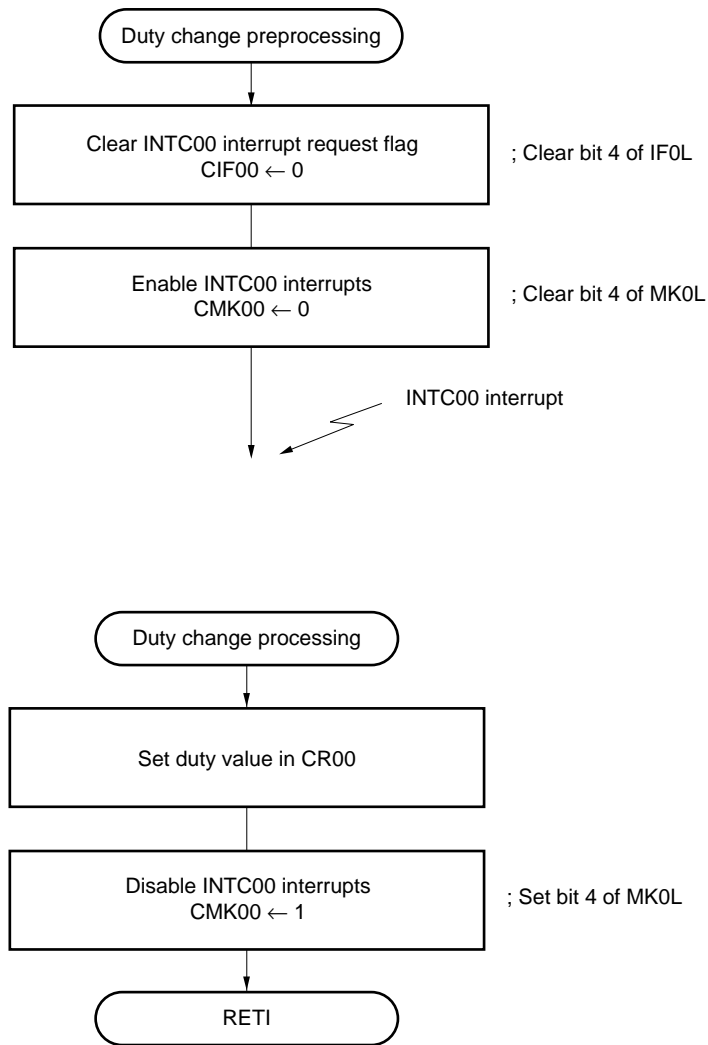


Figure 9-44. Changing PWM Output Duty



9.8.5 Operation as PPG output

In PPG output, pulses with the cycle and duty ratio determined by the values set in the compare registers (CR0n: n = 0, 1) are output (see **Figure 9-45**).

The control register settings are shown in Figure 9-46, the setting procedure in Figure 9-47, and the procedure for varying the duty in Figure 9-48.

Figure 9-45. Example of Timer/Event Counter 0 PPG Signal Output

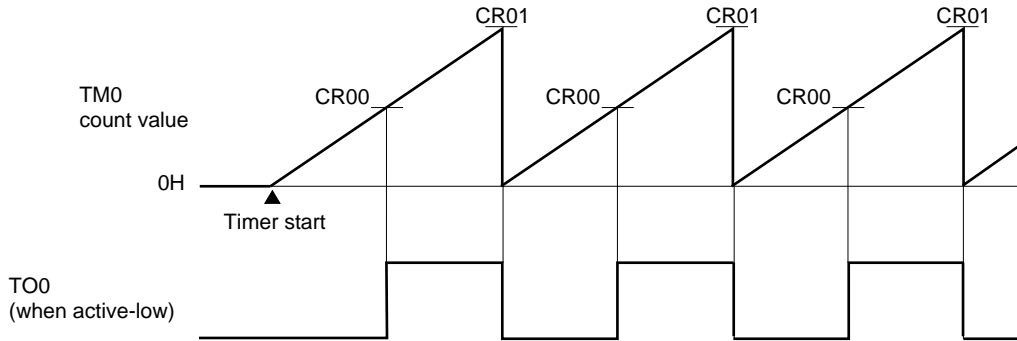
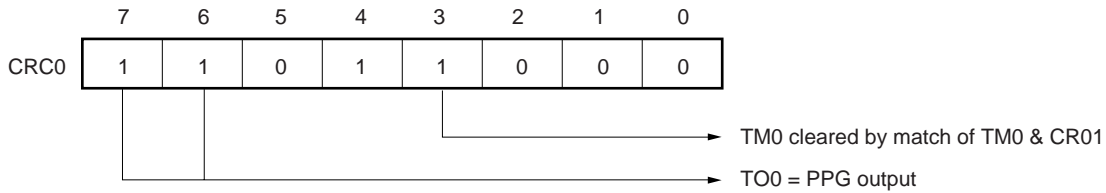
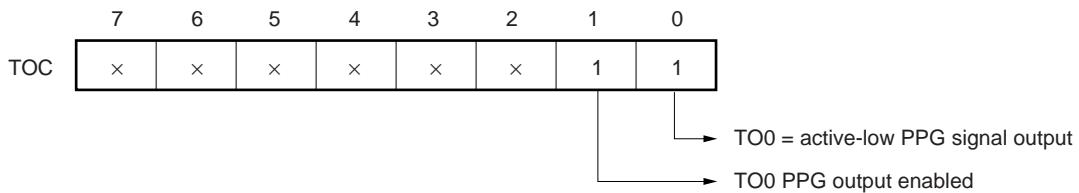


Figure 9-46. Control Register Settings for PPG Output Operation

(a) Capture/compare control register 0 (CRC0)



(b) Timer output control register (TOC)



(c) Port 3 mode control register (PMC3)

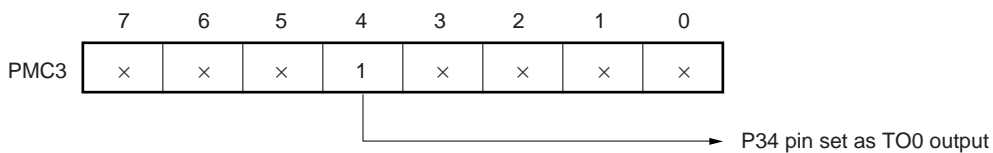


Figure 9-47. PPG Output Setting Procedure

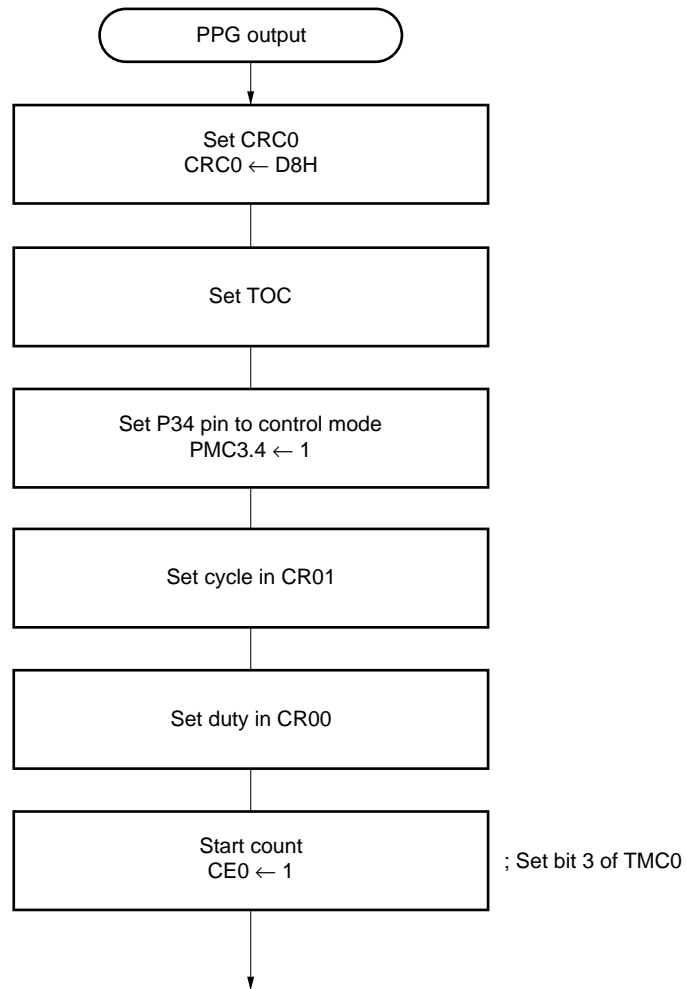
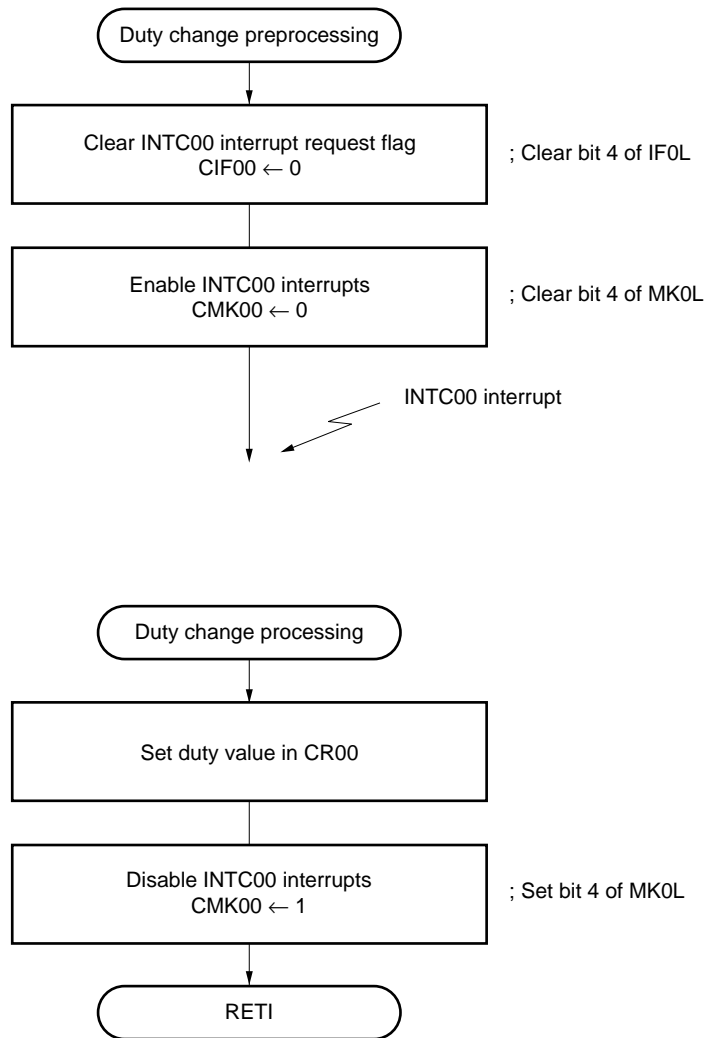


Figure 9-48. Changing PPG Output Duty



9.8.6 Example of software triggered one-shot pulse output

In the software triggered one-shot pulse output mode, a one-shot pulse is output in response to a trigger activated by software (see **Figure 9-49**).

The control register settings are shown in Figure 9-50, and the setting procedure in Figure 9-51.

Figure 9-49. Example of Timer/Event Counter 0 One-Shot Pulse Output

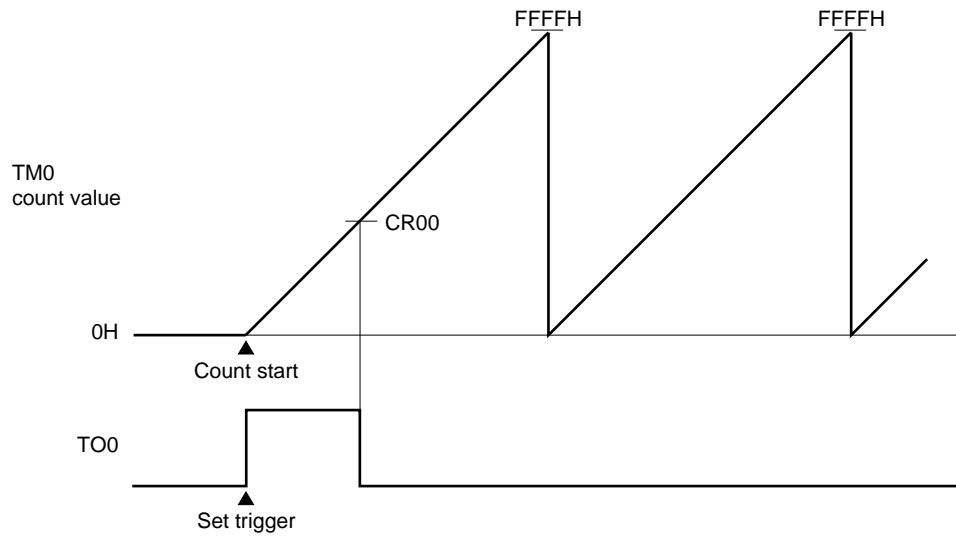
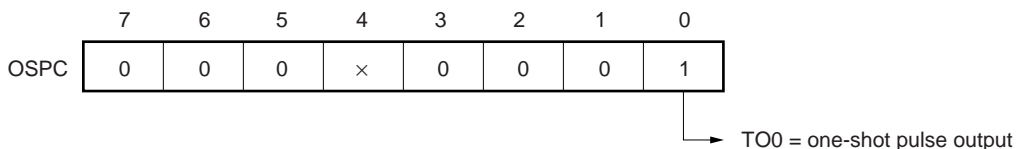
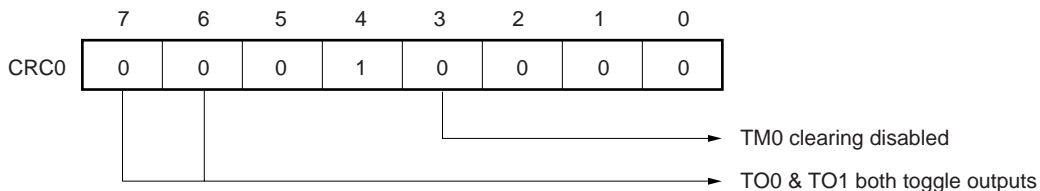


Figure 9-50. Control Register Settings for One-Shot Pulse Output

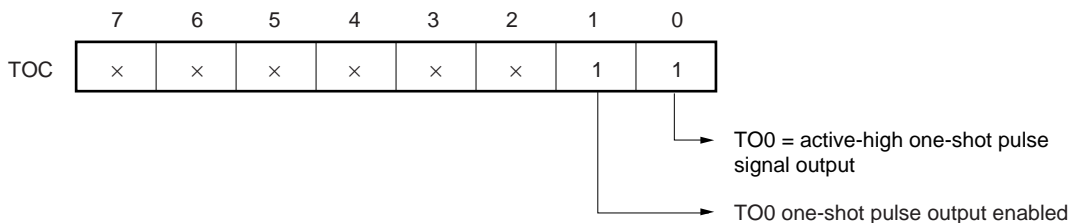
(a) One-shot pulse output control register (OSPC)



(b) Capture/compare control register 0 (CRC0)



(c) Timer output control register (TOC)



(d) Port 3 mode control register (PMC3)

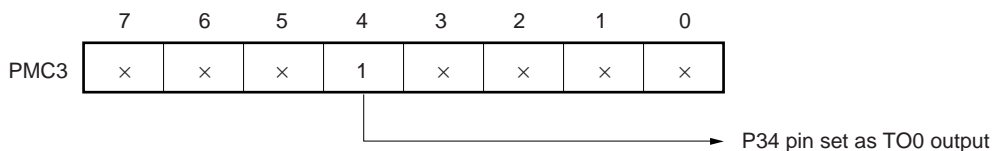
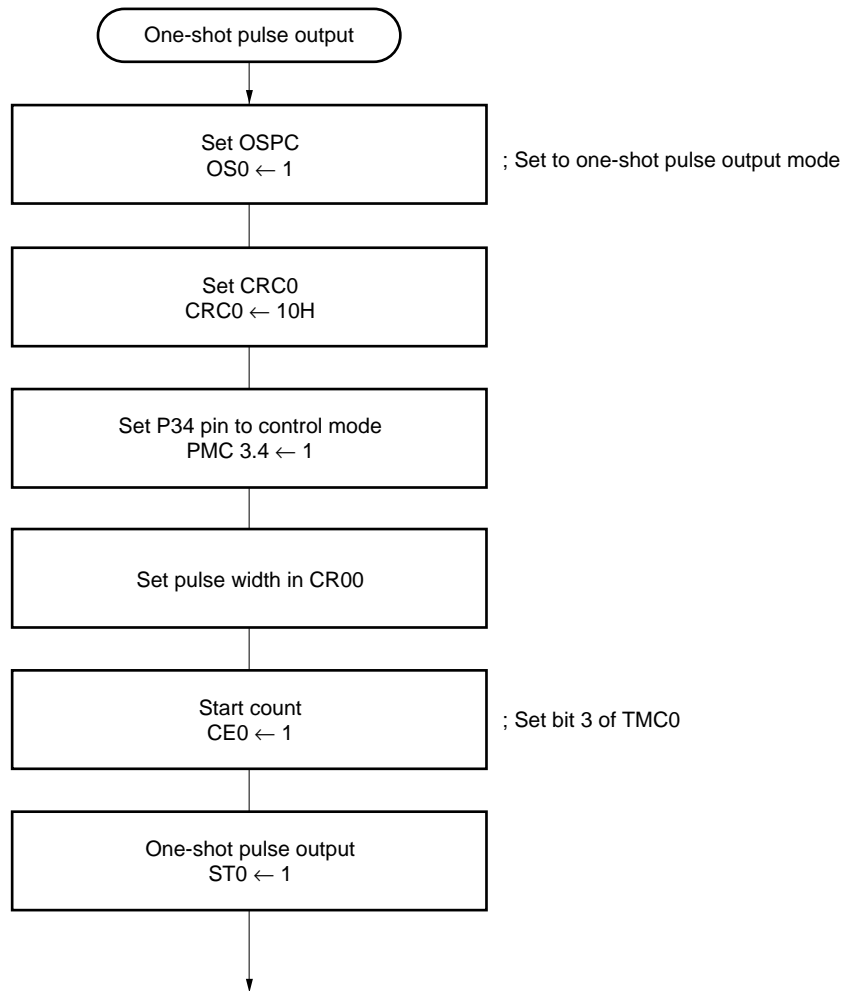


Figure 9-51. One-Shot Pulse Output Setting Procedure



9.9 Cautions

(1) While timer/event counter 0 is operating (while the CE0 bit of the timer control register 0 (TMC0) is set), malfunctioning may occur if the contents of the following registers are rewritten. This is because it is undefined which takes precedence in a contention the change in the hardware functions due to rewriting the register, or the change in the status because of the function before rewriting.

Therefore, be sure to stop the counter operation for the sake of safety before rewriting the contents of the following registers.

- Prescaler mode register 0 (PRM0)
- Capture/compare control register 0 (CRC0)
- Timer output control register (TOC)

(2) If the contents of the compare register (CR0n: n = 0, 1) coincide with those of TM0 operation when an instruction that stops timer counter 0 (TM0) operation is executed, the counting operation of TM0 stops, but an interrupt request is generated. In order not to generate the interrupt when stopping the operation of TM0, mask the interrupt in advance by using the interrupt mask register before stopping TM0.

Example

Program that may generate interrupt request

```

:
CLR1 CE0
OR MK0L, #30H
:

```

← Interrupt request from timer/event counter 0 occurs between these instructions

Program that does not generate interrupt request

```

:
OR MK0L, #30H
CLR1 CE0
CLR1 CIF00
CLR1 CIF01
:

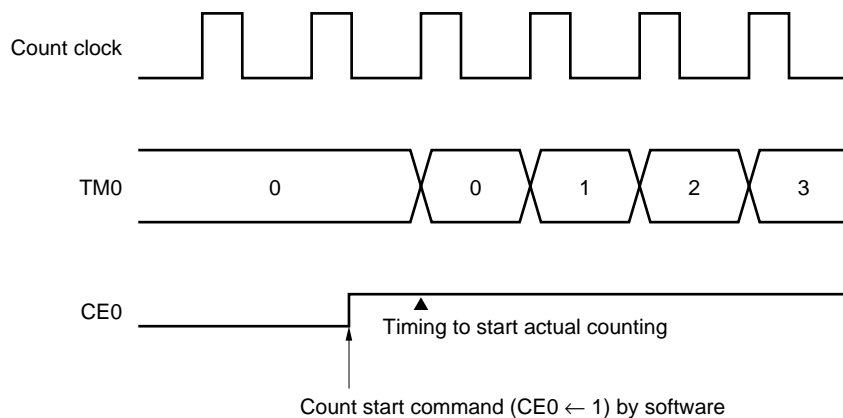
```

← Disables interrupt from timer/event counter 0
← Clears interrupt request flag for timer/event counter 0

(3) Up to 1 count clock is required after an operation to start timer/event counter 0 (CE0 ← 1) has been performed before timer/event counter 0 actually starts (refer to **Figure 9-52**).

For example, when using timer/event counter 0 as an interval timer, the first interval time is delayed by up to 1 clock. The second and those that follow are at the specified interval.

Figure 9-52. Operation when Counting is Started



- (4) While an instruction that writes data to the compare register (CR0n: n = 0, 1) is executed, coincidence between CR0n, to which the data is to be written, and timer counter 0 (TM0) is not detected. For example, if the contents of CR0n do not change before and after the writing, the interrupt request is not generated even if the value of TM0 coincides with the value of CR0n, nor does the timer output (TON: n = 0, 1) change.
Write data to CR0n when timer/event counter 0 is executing counting operation, in the timing that the contents of TM0 do not coincide with the value of CR0n before and after writing (e.g., immediately after an interrupt request has been generated because TM0 and CR0n have coincided).
- (5) Coincidence between TM0 and compare register (CR0n: n = 0, 1) is detected only when TM0 is incremented. Therefore, the interrupt request is not generated even if the same value as TM0 is written to CR0n, and the timer output (TON: n = 0, 1) does not change.
- (6) If the PPG cycle is extremely short as compared with the time required to acknowledge an interrupt, the value of the CR0n cannot be rewritten by interrupt processing that is performed on coincidence between TM0 and the compare register (CR0n: n = 0, 1). Use another method (for example, to poll the interrupt request flags by software with all the interrupts masked).
- (7) The output level of the TON (n = 0, 1) when the timer output is disabled (ENTOn = 0: n = 0, 1) is the reverse value of the value set to the ALVn (n = 0, 1) bit. Note, therefore, that an active level is output when the timer output is disabled with the PWM output function or PPG output function selected.
- (8) When timer/event counter 0 is used as an external event counter, it is not possible to distinguish between the case where there is no valid edge input at all and the case where there is a single valid edge input, using the timer counter 0 (TM0) alone (refer to **Figure 9-53**), since the contents of TM0 are 0 in both cases. If it is necessary to make this distinction, the INTP3 interrupt request flag should be used. To make a distinction, use the interrupt request flag of INTP3, as shown in Figure 9-54.

Figure 9-53. Example of the Case where the External Event Counter does Not Distinguish between One Valid Edge Input and No Valid Edge Input

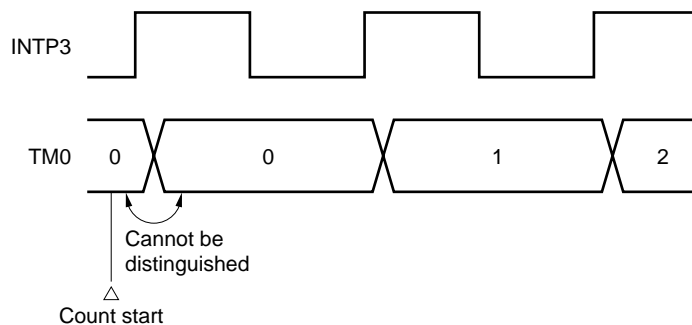
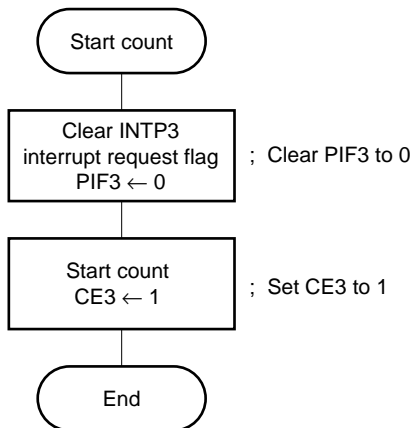
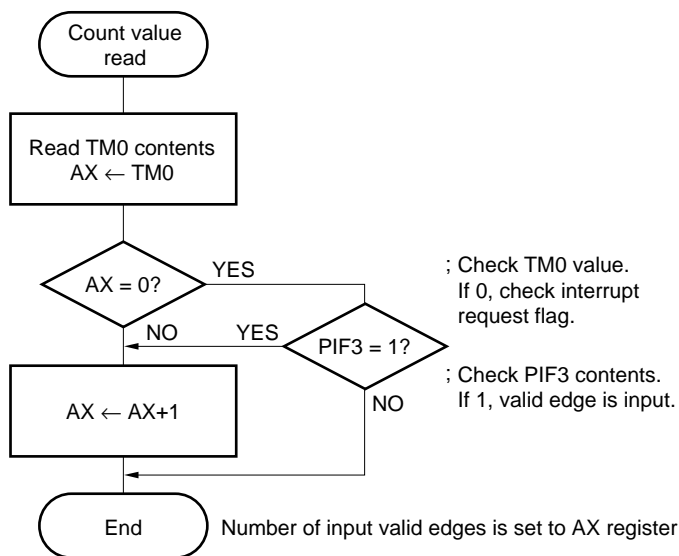


Figure 9-54. To Distinguish whether One or No Valid Edge has been Input with External Event Counter

(a) Processing on starting counting



(b) Processing on reading count value



CHAPTER 10 TIMER/EVENT COUNTER 1

10.1 Functions

Timer/event counter 1 is 16-bit or 8-bit timer/event counter.

In addition to its basic functions of interval timer, pulse width measurement, and event counter, timer/event counter 1 can be used as a real-time output port output trigger generation timer.

(1) Interval timer

Generates internal interrupts at preset intervals.

Table 10-1. Timer/Event Counter 1 Intervals

Minimum Interval	Maximum Interval	Resolution
$4/f_{xx}$ (0.32 μ s)	$2^{16} \times 4/f_{xx}$ (20.8 ms)	$4/f_{xx}$ (0.32 μ s)
$8/f_{xx}$ (0.64 μ s)	$2^{16} \times 8/f_{xx}$ (41.7 ms)	$8/f_{xx}$ (0.64 μ s)
$16/f_{xx}$ (1.27 μ s)	$2^{16} \times 16/f_{xx}$ (83.4 ms)	$16/f_{xx}$ (1.27 μ s)
$32/f_{xx}$ (2.54 μ s)	$2^{16} \times 32/f_{xx}$ (167 ms)	$32/f_{xx}$ (2.54 μ s)
$64/f_{xx}$ (5.09 μ s)	$2^{16} \times 64/f_{xx}$ (333 ms)	$64/f_{xx}$ (5.09 μ s)
$128/f_{xx}$ (10.17 μ s)	$2^{16} \times 128/f_{xx}$ (667 ms)	$128/f_{xx}$ (10.17 μ s)
$256/f_{xx}$ (20.35 μ s)	$2^{16} \times 256/f_{xx}$ (1.33 s)	$256/f_{xx}$ (20.35 μ s)
$512/f_{xx}$ (40.70 μ s)	$2^{16} \times 512/f_{xx}$ (2.67 s)	$512/f_{xx}$ (40.70 μ s)
$1,024/f_{xx}$ (81.40 μ s)	$2^{16} \times 1,024/f_{xx}$ (5.33 s)	$1,024/f_{xx}$ (81.40 μ s)

(): When $f_{xx} = 12.58$ MHz

(2) Pulse width measurement

Detects the pulse width of the signal input to the external interrupt request input pin INTPO.

Table 10-2. Timer/Event Counter 1 Pulse Width Measurement Range

Measurable Pulse Width ^{Note}	Resolution
$4/f_{xx}$ to $2^{16} \times 4/f_{xx}$ (0.32 μ s) (20.8 ms)	$4/f_{xx}$ (0.32 μ s)
$8/f_{xx}$ to $2^{16} \times 8/f_{xx}$ (0.64 μ s) (41.7 ms)	$8/f_{xx}$ (0.64 μ s)
$16/f_{xx}$ to $2^{16} \times 16/f_{xx}$ (1.27 μ s) (83.4 ms)	$16/f_{xx}$ (1.27 μ s)
$32/f_{xx}$ to $2^{16} \times 32/f_{xx}$ (2.54 μ s) (167 ms)	$32/f_{xx}$ (2.54 μ s)
$64/f_{xx}$ to $2^{16} \times 64/f_{xx}$ (5.09 μ s) (333 ms)	$64/f_{xx}$ (5.09 μ s)
$128/f_{xx}$ to $2^{16} \times 128/f_{xx}$ (10.17 μ s) (667 ms)	$128/f_{xx}$ (10.17 μ s)
$256/f_{xx}$ to $2^{16} \times 256/f_{xx}$ (20.35 μ s) (1.33 s)	$256/f_{xx}$ (20.35 μ s)
$512/f_{xx}$ to $2^{16} \times 512/f_{xx}$ (40.70 μ s) (2.67 s)	$512/f_{xx}$ (40.70 μ s)
$1,024/f_{xx}$ to $2^{16} \times 1,024/f_{xx}$ (81.40 μ s) (5.33 s)	$1,024/f_{xx}$ (81.40 μ s)

(): When $f_{xx} = 12.58$ MHz

Note The minimum pulse width that can be measured changes depending on the sampling clock selected by the sampling clock select register (SCS0). The minimum pulse width that can be measured is the value in the table below or above, whichever is greater.

at $f_{xx} = 12.58$ MHz operation

Sampling Clock		Minimum Pulse Width
f_{CLK}	$f_{CLK} = f_{xx}$	$3/f_{CLK} = 3/f_{xx}$ (0.24 μ s)
	$f_{CLK} = f_{xx}/2$	$3/f_{CLK} = 6/f_{xx}$ (0.48 μ s)
	$f_{CLK} = f_{xx}/4$	$3/f_{CLK} = 12/f_{xx}$ (0.95 μ s)
	$f_{CLK} = f_{xx}/8$	$3/f_{CLK} = 24/f_{xx}$ (1.19 μ s)
$f_{xx}/32$		$96/f_{xx}$ (7.63 μ s)
$f_{xx}/64$		$192/f_{xx}$ (15.26 μ s)
$f_{xx}/128$		$384/f_{xx}$ (30.52 μ s)

(3) External event counter

Counts the clock pulses input from the external interrupt request input pin (INTP0).

The clocks that can be input to timer/event counter 1 are shown in Table 10-3.

Table 10-3. Timer/Event Counter 1 Pulse Width Measurement Time

(): When $f_{CLK} = 12.58$ MHz and $f_{XX} = 12.58$ MHz

Sampling Clock ^{Note}		When Counting One Edge	When Counting Both Edges
f_{CLK}	Maximum frequency	$f_{CLK}/6$ (2.10 MHz)	$f_{CLK}/6$ (2.10 MHz)
	Minimum pulse width (High and low levels)	$3/f_{CLK}$ (0.24 μ s)	$3/f_{CLK}$ (0.24 μ s)
$f_{XX}/32$	Maximum frequency	$f_{XX}/192$ (65.52 kHz)	$f_{XX}/192$ (65.52 kHz)
	Minimum pulse width (High and low levels)	$96/f_{XX}$ (7.63 μ s)	$96/f_{XX}$ (7.63 μ s)
$f_{XX}/64$	Maximum frequency	$f_{XX}/384$ (32.76 kHz)	$f_{XX}/384$ (32.76 kHz)
	Minimum pulse width (High and low levels)	$192/f_{XX}$ (15.26 μ s)	$192/f_{XX}$ (15.26 μ s)
$f_{XX}/128$	Maximum frequency	$f_{XX}/768$ (16.38 kHz)	$f_{XX}/768$ (16.38 kHz)
	Minimum pulse width (High and low levels)	$384/f_{XX}$ (30.52 μ s)	$384/f_{XX}$ (30.52 μ s)

Note Selected by means of the sampling clock selection register (SCS0)

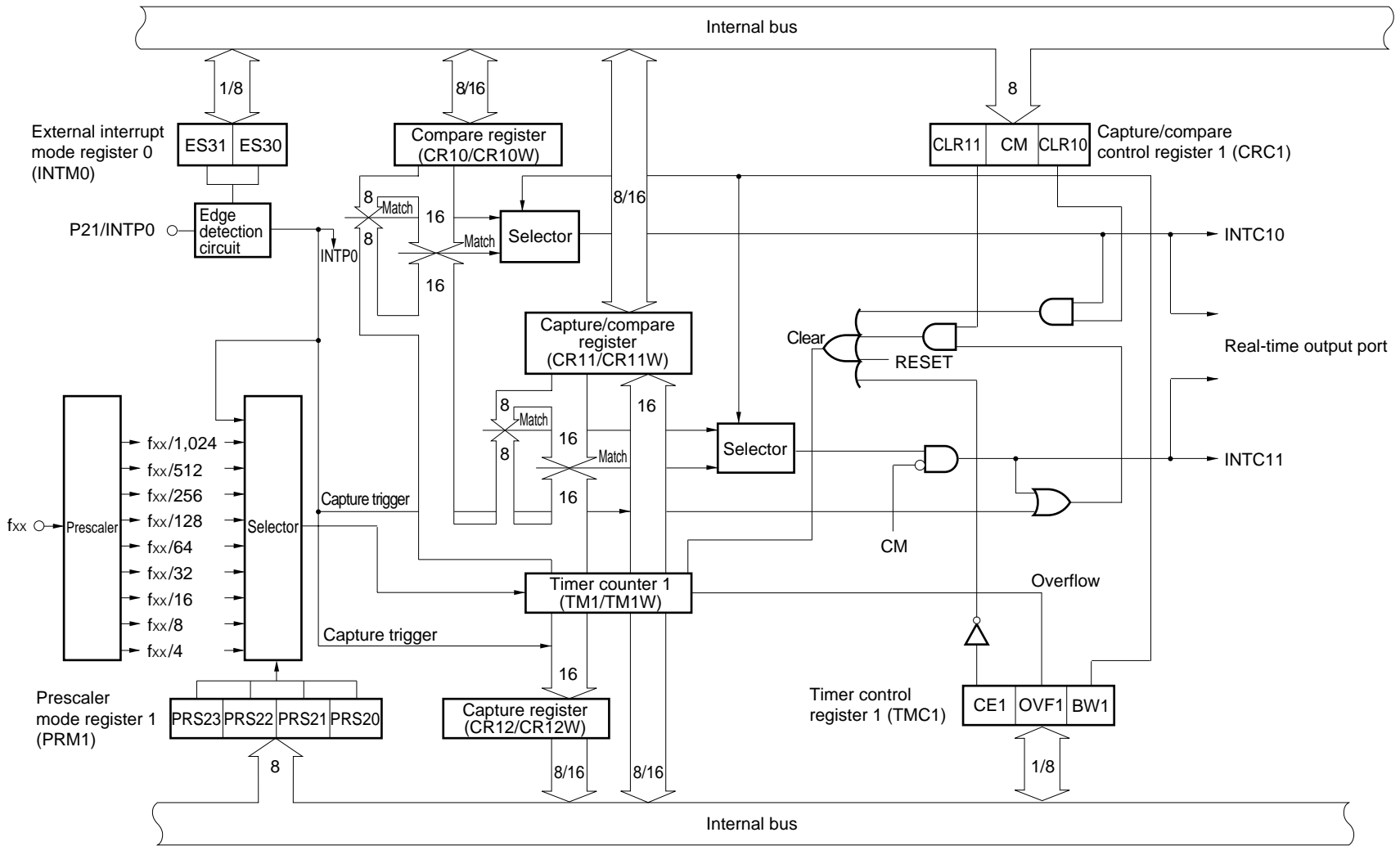
10.2 Configuration

Timer/event counter 1 consists of the following registers:

- Timer counter (TM1/TM1W) \times 1
- Compare register (CR10/CR10W) \times 1
- Capture/Compare register (CR11/CR11W) \times 1
- Capture register (CR12/CR12W) \times 1

The block diagram of timer/event counter 1 is shown in Figure 10-1.

Figure 10-1. Timer/Event Counter 1 Block Diagram



(1) Timer counter 1 (TM1/TM1W)

TM1/TM1W is a timer counter that counts up using the count clock specified by the low-order 4 bits of prescaler mode register 1 (PRM1).

The count operation can be specified to stop or enable, and an 8-bit operation mode (TM1)/16-bit operation mode (TM1W) can be selected, by means of timer control register 1 (TMC1).

TM1/TM1W can be read only with an 8/16-bit manipulation instruction. When $\overline{\text{RESET}}$ is input, TM1/TM1W is cleared to 00H and the count is stopped.

(2) Compare register (CR10/CR10W)

CR10/CR10W is an 8/16-bit register that holds the value that determines the interval timer operation cycle.

If the contents of the CR10/CR10W match the values of TM1/TM1W, an interrupt request (INTC10) is generated. This match signal is also a real-time output port trigger signal. Also, the count value can be cleared by a match.

This compare register operates as CR10 in the 8-bit operation mode, and CR10W in the 16-bit operation mode.

CR10/CR10W can be read or written to with an 8/16-bit manipulation instruction. The contents of this register are undefined after $\overline{\text{RESET}}$ input.

(3) Capture/compare register (CR11/CR11W)

CR11/CR11W is an 8/16-bit register that can be specified as a compare register for detecting a match with the TM1/TM1W count value or a capture register for capturing the TM1/TM1W count value according to the setting of capture/compare control register 1 (CRC1).

This capture/compare register operates as CR11 in the 8-bit operation mode, and CR11W in the 16-bit operation mode.

CR11/CR11W can be read or written to with an 8/16-bit manipulation instruction. The contents of this register are undefined after $\overline{\text{RESET}}$ input.

(a) When specified as compare register

CR11/CR11W functions as an 8/16-bit register that holds the value that determines the interval timer operation cycle.

An interrupt request (INTC11) is generated by a match between the contents of CR11/CR11W and the contents of TM1/TM1W.

Also, the count value can be cleared by a match. This match signal is also a real-time output port trigger signal.

(b) When specified as capture register

CR11/CR11W functions as an 8/16-bit register that captures the contents of TM1/TM1W in synchronization with the input of a valid edge (capture trigger) on the external interrupt request input pin (INTP0).

The contents of the CR11/CR11W are retained until the next capture trigger is generated. TM1/TM1W can be cleared after a capture operation.

(4) Capture register (CR12/CR12W)

CR12/CR12W is an 8/16-bit register that captures the contents of TM1/TM1W.

The capture operation is synchronized with the input of a valid edge (capture trigger) on the external interrupt request input pin (INTP0). The contents of the CR12/CR12W are retained until the next capture trigger is generated.

This capture/compare register operates as CR12 in the 8-bit operation mode, and CR12W in the 16-bit operation mode.

CR12/CR12W can be read only with an 8/16-bit manipulation instruction. The contents of this register are undefined after $\overline{\text{RESET}}$ input.

(5) Edge detection circuit

The edge detection circuit detects an external input valid edge.

When the valid edge set by external interrupt mode register 0 (INTM0) is detected in the INTP0 pin input, the external interrupt request (INTP0), a capture trigger and a count clock of the external event are generated (see **Figure 22-1** for details of the INTM0).

(6) Prescaler

The prescaler generates the count clock from the internal system clock. The clock generated by this prescaler is selected by the selector, and is used as the count clock by the timer counter 1 (TM1/TM1W) to perform count operations.

(7) Selector

The selector selects a signal resulting from dividing the internal clock or the edge detected by the edge detection circuit as the count clock of timer counter 1 (TM1/TM1W).

10.3 Timer/Event Counter 1 Control Registers

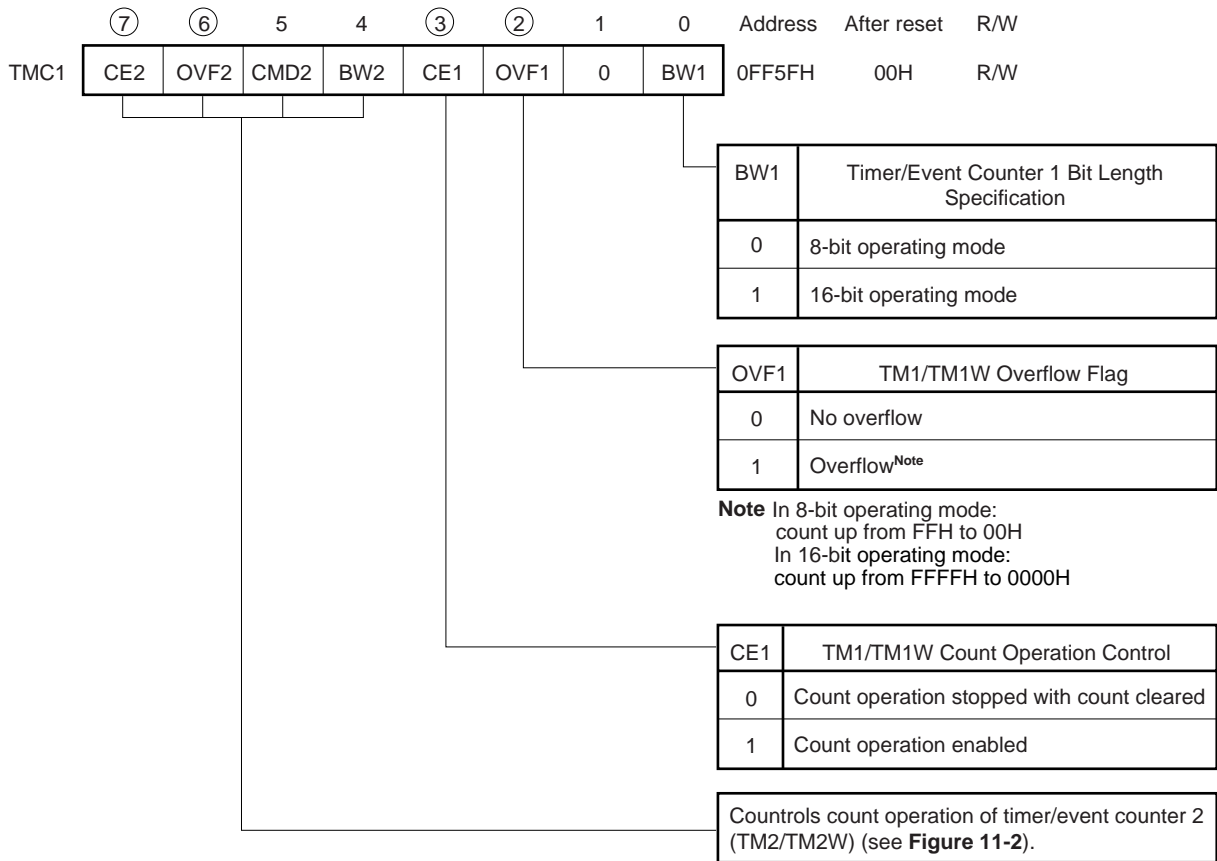
(1) Timer control register 1 (TMC1)

TMC1 controls the timer/event counter 1, TM1/TM1W, count operation by the low-order 4 bits (the high-order 4 bits control the count operation of timer/event counter 2 TM2/TM2W).

TMC1 can be read or written to with an 8-bit manipulation instruction or bit manipulation instruction. The format of TMC1 is shown in Figure 10-2.

RESET input clears TMC1 to 00H.

Figure 10-2. Timer Control Register 1 (TMC1) Format



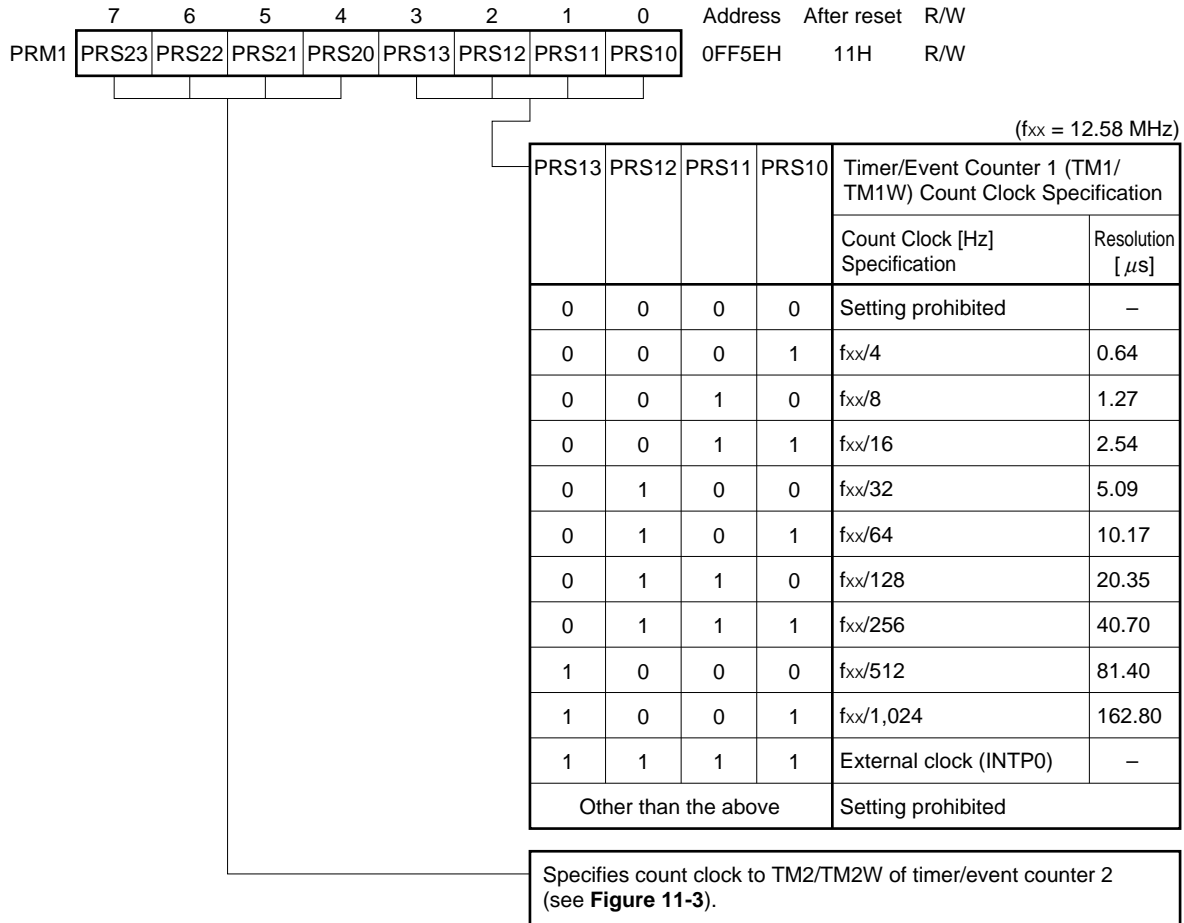
Remark The OVF1 bit is reset by software only.

(2) Prescaler mode register 1 (PRM1)

In PRM1, the count clock to timer/event counter 1 TM1/TM1W is specified by the low-order 4 bits (the high-order 4 bits specify the count clock to timer/event counter 2 TM2/TM2W).

PRM1 can be read or written to with an 8-bit manipulation instruction. The format of PRM1 is shown in Figure 10-3. RESET input sets PRM1 to 11H.

Figure 10-3. Prescaler Mode Register 1 (PRM1) Format



Remark f_{xx} : X1 input frequency or oscillation frequency

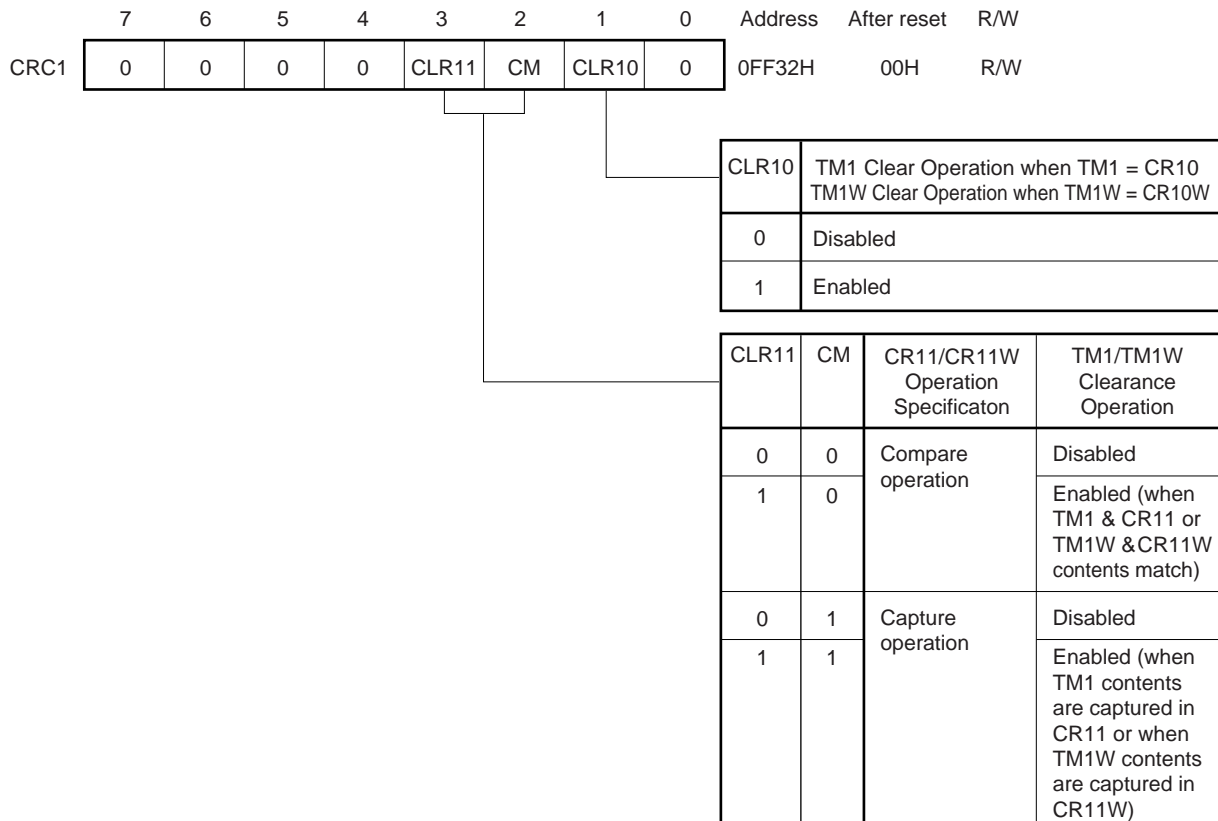
(3) Capture/compare control register 1 (CRC1)

CRC1 specifies the operation of the capture/compare register (CR11/CR11W) and the enabling condition for a timer counter 1 (TM1/TM1W) clear operation.

CRC1 can be read or written to with an 8-bit manipulation instruction. The format of CRC1 is shown in Figure 10-4.

RESET input clears CRC1 to 00H.

Figure 10-4. Capture/Compare Control Register 1 (CRC1) Format



10.4 Timer Counter 1 (TM1) Operation

10.4.1 Basic operation

8-bit operation mode/16-bit operation mode control can be performed for timer/event counter 1 by means of bit 0 (BW1) of timer control register 1 (TMC1)^{Note}.

In the timer/event counter 1 count operation, the count-up is performed using the count clock specified by the low-order 4 bits of prescaler mode register 1 (PRM1).

Count operation enabling/disabling is controlled by bit 3 (CE1) of TMC1 (timer/event counter 1 operation control is performed by the low-order 4 bits of the TMC1). When the CE1 bit is set (to 1) by software, the contents of TM1 are cleared to 0H on the first count clock, and then the count-up operation is performed.

When the CE1 bit is cleared (to 0), TM1 becomes 0H immediately, and capture operations and match signal generation are stopped.

If the CE1 bit is set (to 1) again when it is already set (to 1), TM1 continues the count operation without being cleared.

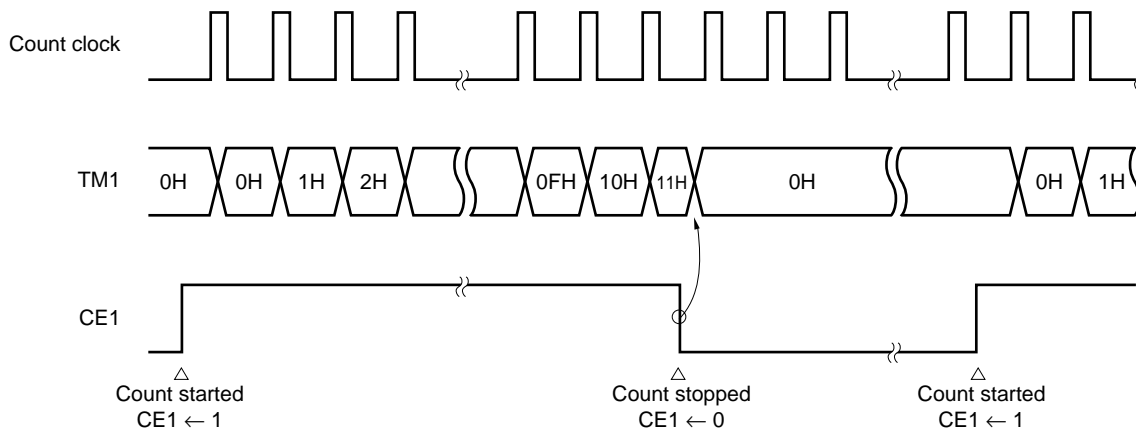
If the count clock is input when TM1 is FFH in 8-bit operation mode and when TM1W is FFFFH in 16-bit operation mode, TM1/TM1W becomes 0H. In this case, OVF1 bit is set. OVF1 bit is cleared by software only. The count operation is continued.

When $\overline{\text{RESET}}$ is input, TM1 is cleared to 0H, and the count operation is stopped.

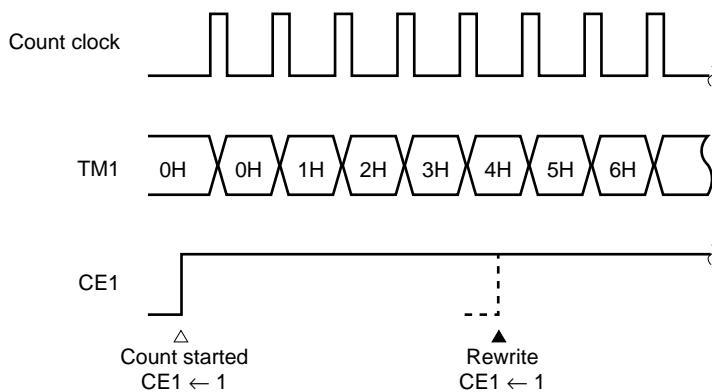
Note Unless otherwise specified, the functions of timer counter 1 in the 8-bit operation mode are described hereafter. In the 16-bit operation mode, TM1, CR10, and CR11 operate as TM1W, CR10W, and CR11W respectively.

Figure 10-5. Basic Operation in 8-Bit Operation Mode (BW1 = 0)

(a) Count started → count disabled → count started



(b) When "1" is written to the CE1 bit again after the count starts



(c) Operation when TM1 = FFH

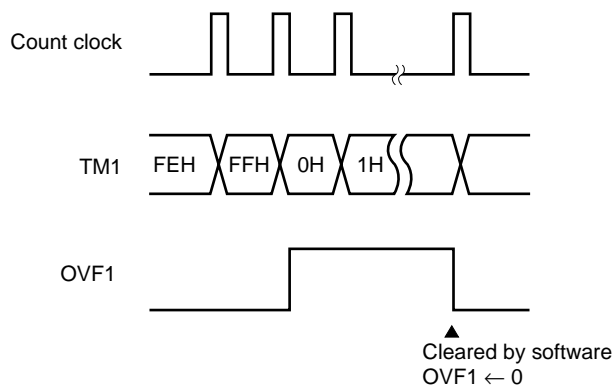
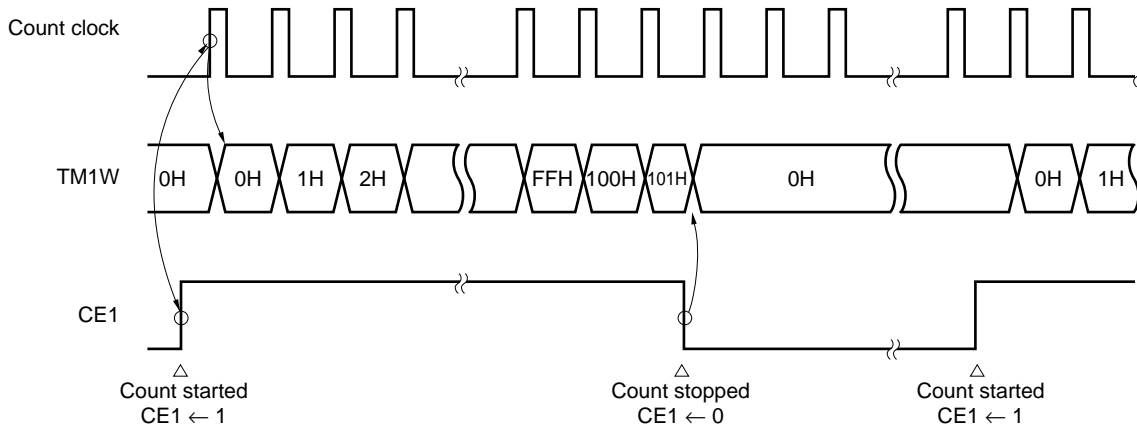
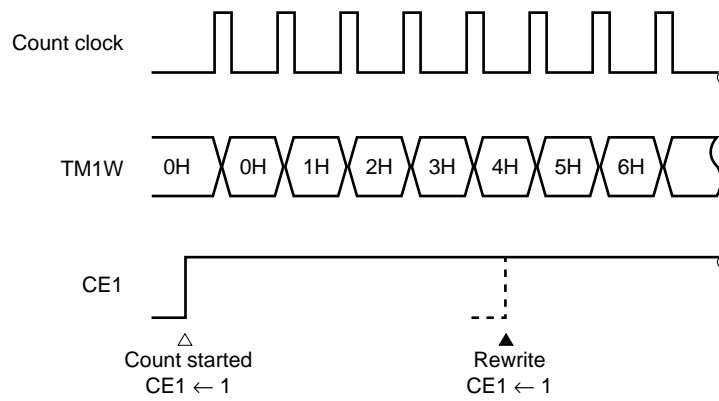


Figure 10-6. Basic Operation in 16-Bit Operation Mode (BW1 = 1)

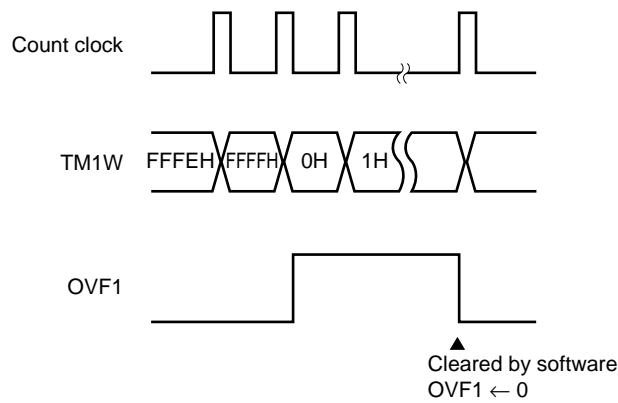
(a) Count started → count disabled → count started



(b) When “1” is written to the CE1 bit again after the count starts



(c) Operation when TM1W = FFFFH



10.4.2 Clear operation

(1) Clear operation after match with compare register and after capture operation

Timer counter 1 (TM1) can be cleared automatically after a match with the compare register (CR1n: n = 0, 1) and a capture operation. When a clearance source arises, TM1 is cleared to 0H on the next count clock. Therefore, even if a clearance source arises, the value at the point at which the clearance source arose is retained until the next count clock arrives.

Figure 10-7. TM1 Clearance by Match with Compare Register (CR10, CR11)

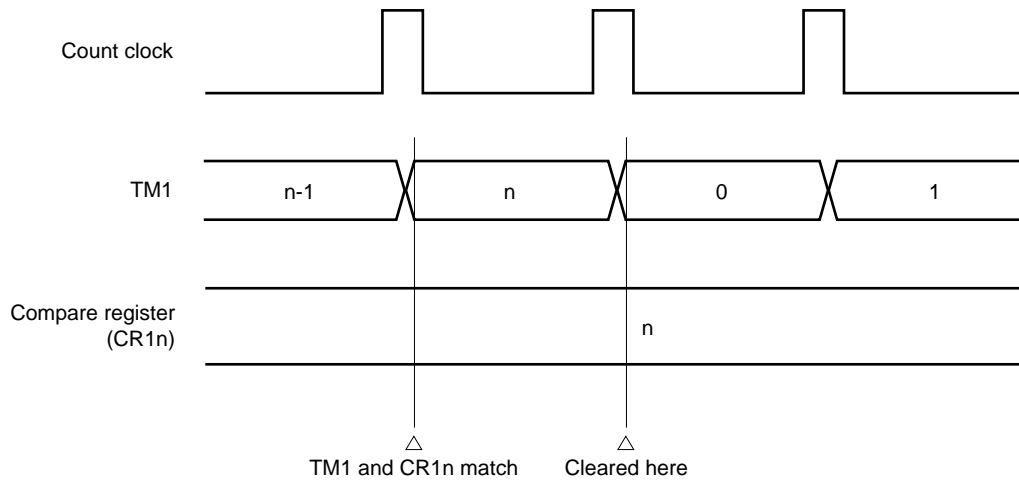
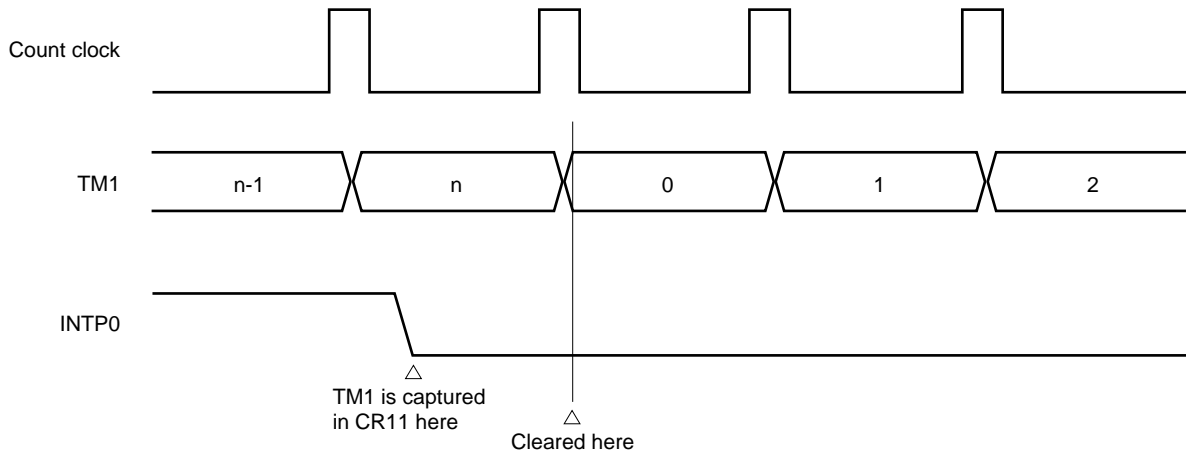


Figure 10-8. TM1 Clearance after Capture Operation

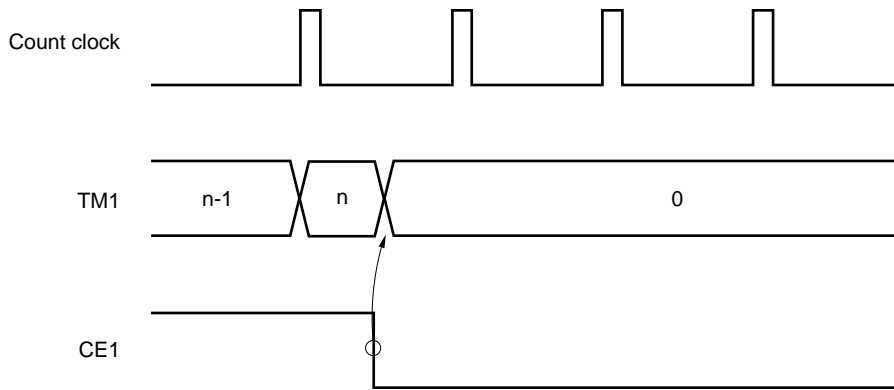


(2) Clear operation by CE1 bit of timer control register 1 (TMC1)

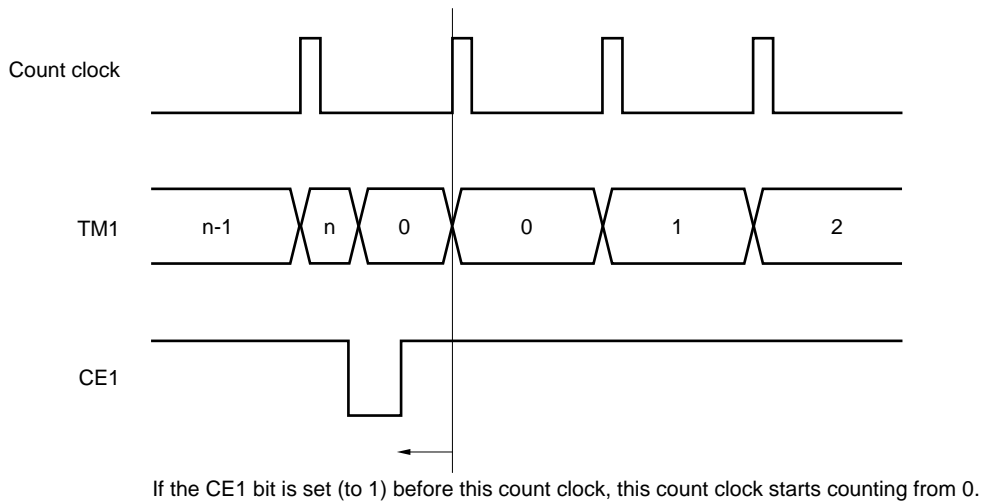
Timer counter 1 (TM1) is also cleared when the CE1 bit of TMC1 is cleared (to 0) by software. The clear operation is performed immediately after the clearance (to 0) of the CE1 bit.

Figure 10-9. Clear Operation when CE1 Bit is Cleared (to 0)

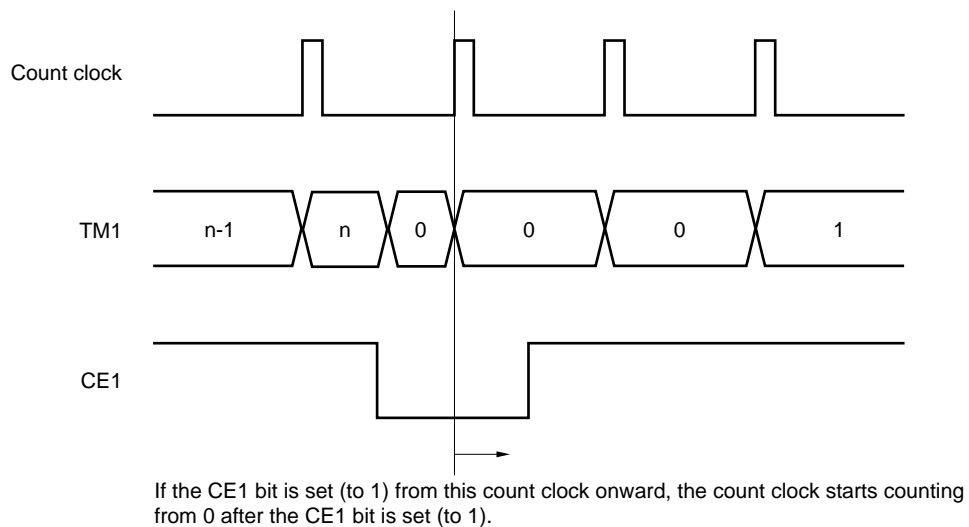
(a) Basic operation



(b) Restart before count clock is input after clearance



(c) Restart after count clock is input after clearance



10.5 External Event Counter Function

Timer/event counter 1 can count clock pulses input from the external interrupt request input pin (INTP0) pin.

No special selection method is needed for the external event counter operation mode. When the timer counter 1 (TM1) count clock is specified as external clock input by the setting of the low-order 4 bits of prescaler mode register 1 (PRM1), TM1 operates as an external event counter.

The maximum frequency of the external clock pulse that can be counted by the external event counter is determined by the sampling clock select register (SCS0) as shown in Table 10-4.

The maximum frequency is the same when both the edges of the INTP0 input are counted and when only one edge is counted.

The pulse width of the INTP0 input must be three or more sampling clocks selected by SCS0, regardless of whether the level is high or low. If the width is shorter than this, the pulse may not be counted.

Figure 10-10 shows the timing of the external event count by timer/event counter 1.

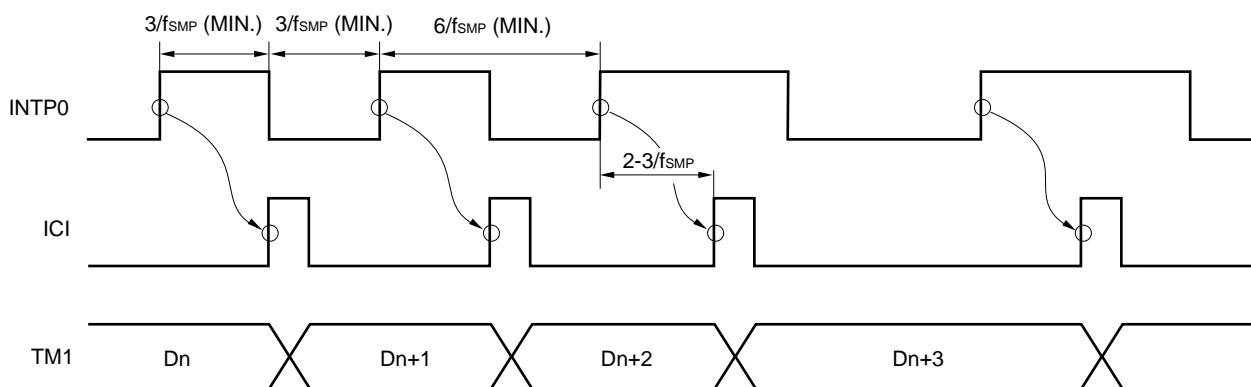
Table 10-4. Maximum Input Frequency and Minimum Input Pulse Width that can be Counted as Events

(): $f_{xx} = 12.58 \text{ MHz}$, $f_{CLK} = 12.58 \text{ MHz}$

Sampling Clock Selected by SCS0	Maximum Input Frequency	Minimum Pulse Width
f_{CLK}	$f_{CLK}/6$ (2.10 MHz)	$3/f_{CLK}$ (0.24 μs)
$f_{xx}/32$	$f_{xx}/192$ (65.52 kHz)	$96/f_{xx}$ (7.63 μs)
$f_{xx}/64$	$f_{xx}/384$ (32.76 kHz)	$192/f_{xx}$ (15.26 μs)
$f_{xx}/128$	$f_{xx}/768$ (16.38 kHz)	$384/f_{xx}$ (30.52 μs)

Figure 10-10. Timer/Event Counter 1 External Event Count Timing (1/2)

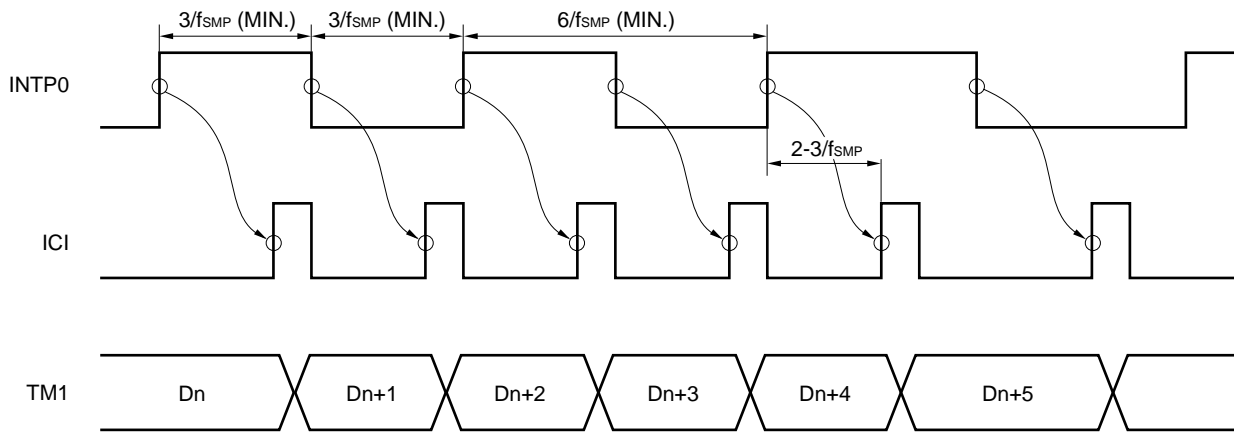
(1) Counting one edge (maximum frequency = $f_{CLK}/6$)



- Remarks**
1. ICI: INTP0 input signal after passing through edge detection circuit
 2. f_{SMP} is selected by the sampling clock selection register (SCS0).

Figure 10-10. Timer/Event Counter 1 External Event Count Timing (2/2)

(2) Counting both edges (maximum frequency = $f_{CLK}/6$)



- Remarks**
1. ICI: INTP0 input signal after passing through edge detection circuit
 2. f_{SMP} is selected by the sampling clock selection register (SCS0).

The TM1 count operation is controlled by the CE1 bit of the timer control register 1 (TMC1) in the same way as with the basic operation.

When the CE1 bit is set (to 1) by software, the contents of TM1 are set to 0H and the count-up operation is started on the initial count clock.

When the CE1 bit is cleared (to 0) by software during a TM1 count operation, the contents of TM1 are set to 0H immediately and the stopped state is entered. The TM1 count operation is not affected if the CE1 bit is set (to 1) by software again when it is already set (to 1).

Caution When timer/event counter 1 is used as an external event counter, it is not possible to distinguish between the case where there is no valid edge input at all and the case where there is a single valid edge input using the timer counter 1 (TM1) alone (see Figure 10-11), since the contents of TM1 are 0 in both cases. If it is necessary to make this distinction, the INTP0 interrupt request flag should be used. An example is shown in Figure 10-12.

Figure 10-11. Example of the Case where the External Event Counter does Not Distinguish between One Valid Edge Input and No Valid Edge Input

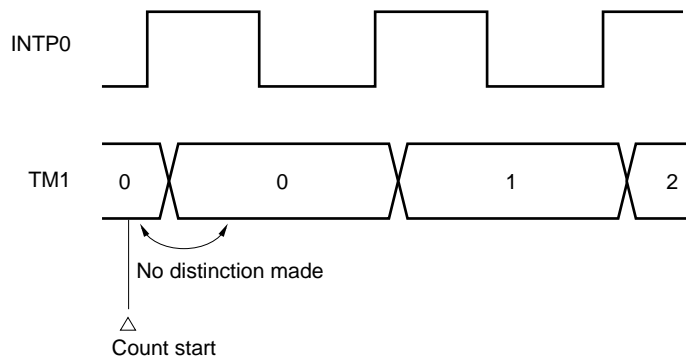
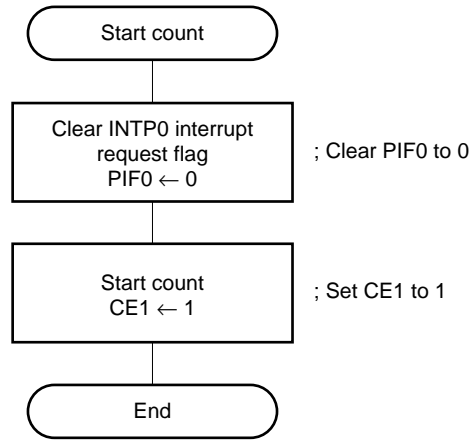
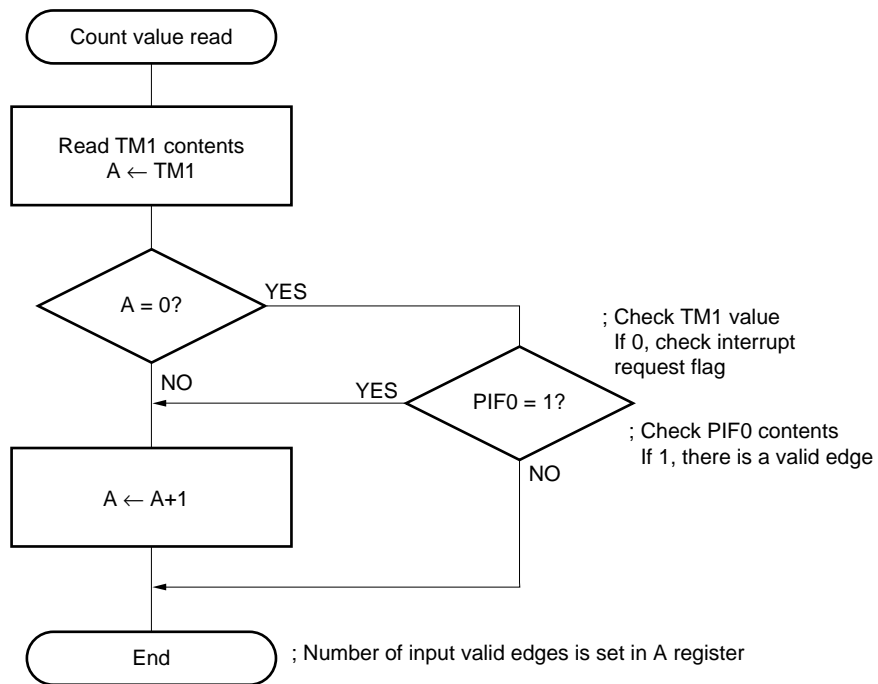


Figure 10-12. To distinguish whether One or No Valid Edge has been Input with External Event Counter

(a) Processing when count is started



(b) Processing when count value is read



10.6 Compare Register and Capture/Compare Register Operation

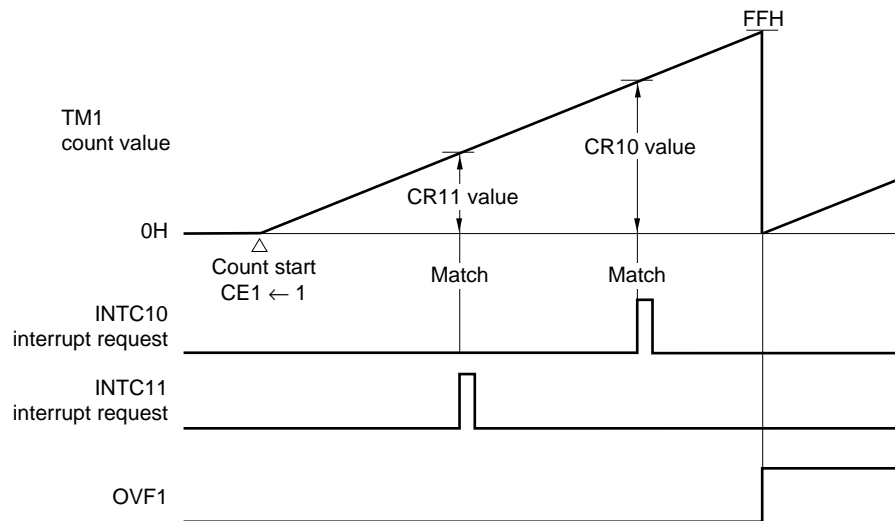
10.6.1 Compare operations

Timer/event counter 1 performs compare operations in which the value set in a compare register (CR10), capture/compare register (CR11), specified for compare operation is compared with the timer counter 1 (TM1) count value.

If the count value of TM1 matches the preset value of the CR10, or the CR11 as the result of the count operation, an interrupt request signal (INTC10 or INTC11) is generated.

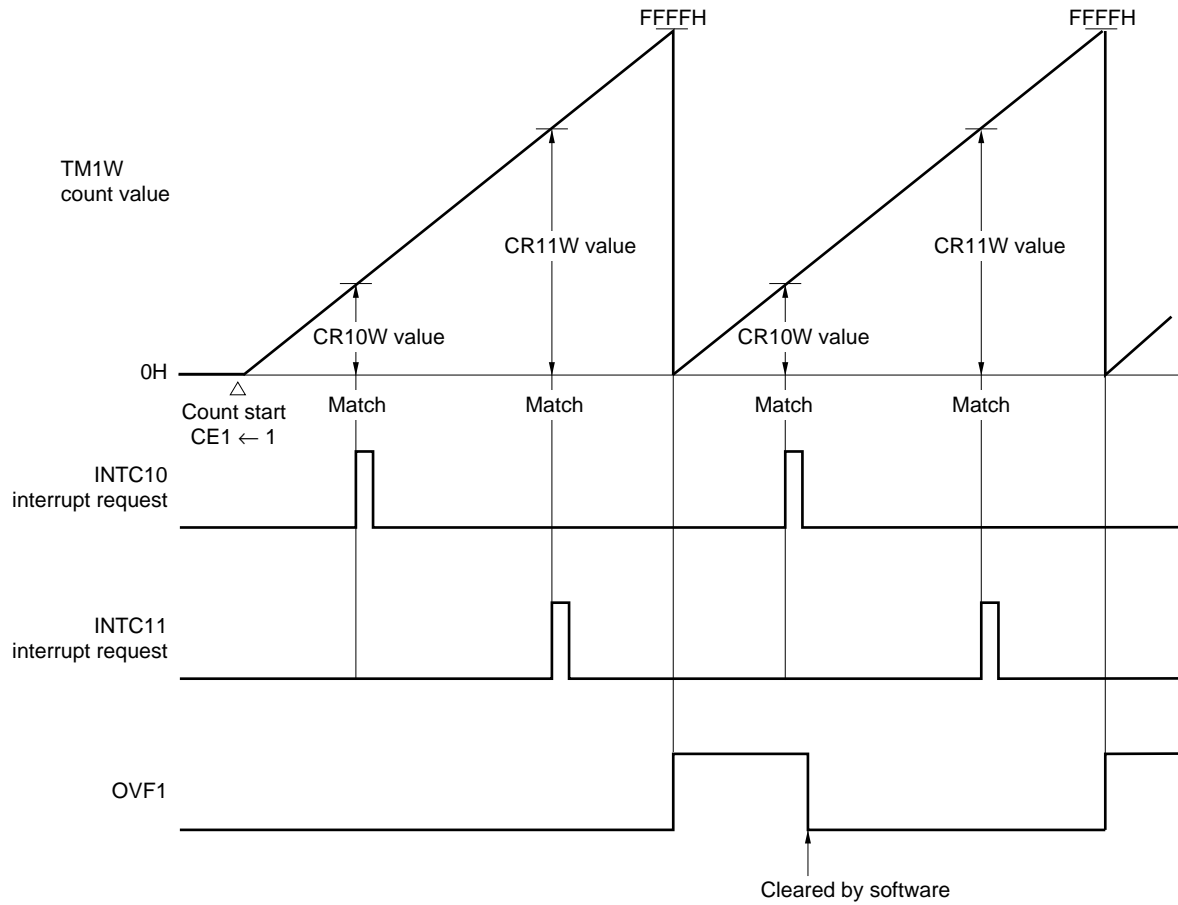
After a match with the CR10 or CR11 value, the TM1 contents can be cleared, and the timer functions as an interval timer that repeatedly counts up to the value set in the CR10 or CR11.

Figure 10-13. Compare Operation in 8-Bit Operation Mode



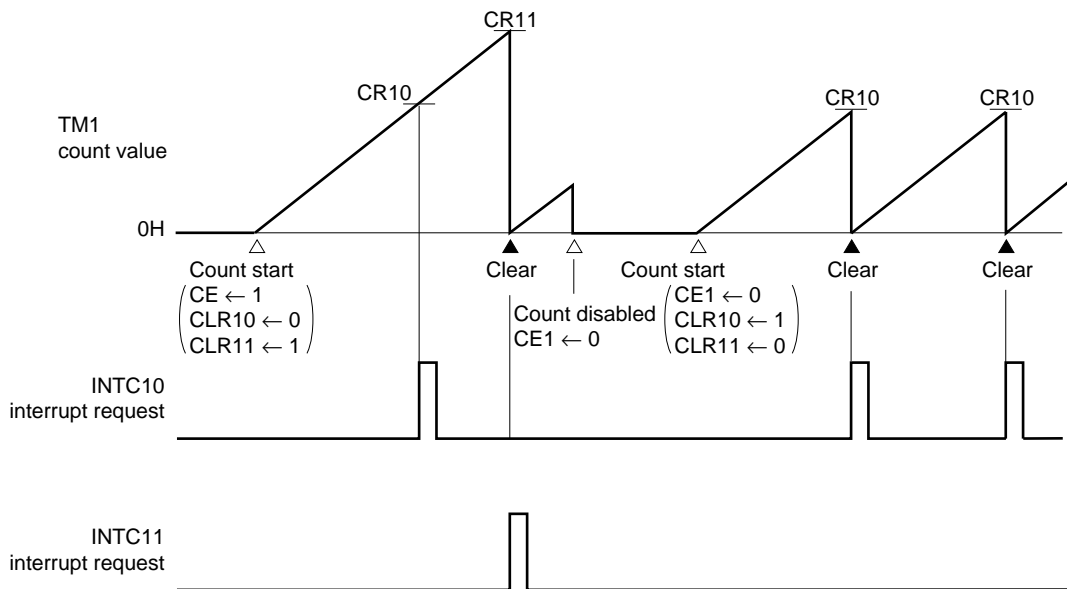
Remark CLR10 = 0, CLR11 = 0, CM = 0, BW1 = 0

Figure 10-14. Compare Operation in 16-Bit Operation Mode



Remark CLR10 = 0, CLR11 = 0, BW1 = 1

Figure 10-15. TM1 Clearance after Match Detection



10.6.2 Capture operations

Timer/event counter 1 performs capture operations in which the timer counter 1 (TM1) count value is fetched into the capture register in synchronization with an external trigger, and retained there.

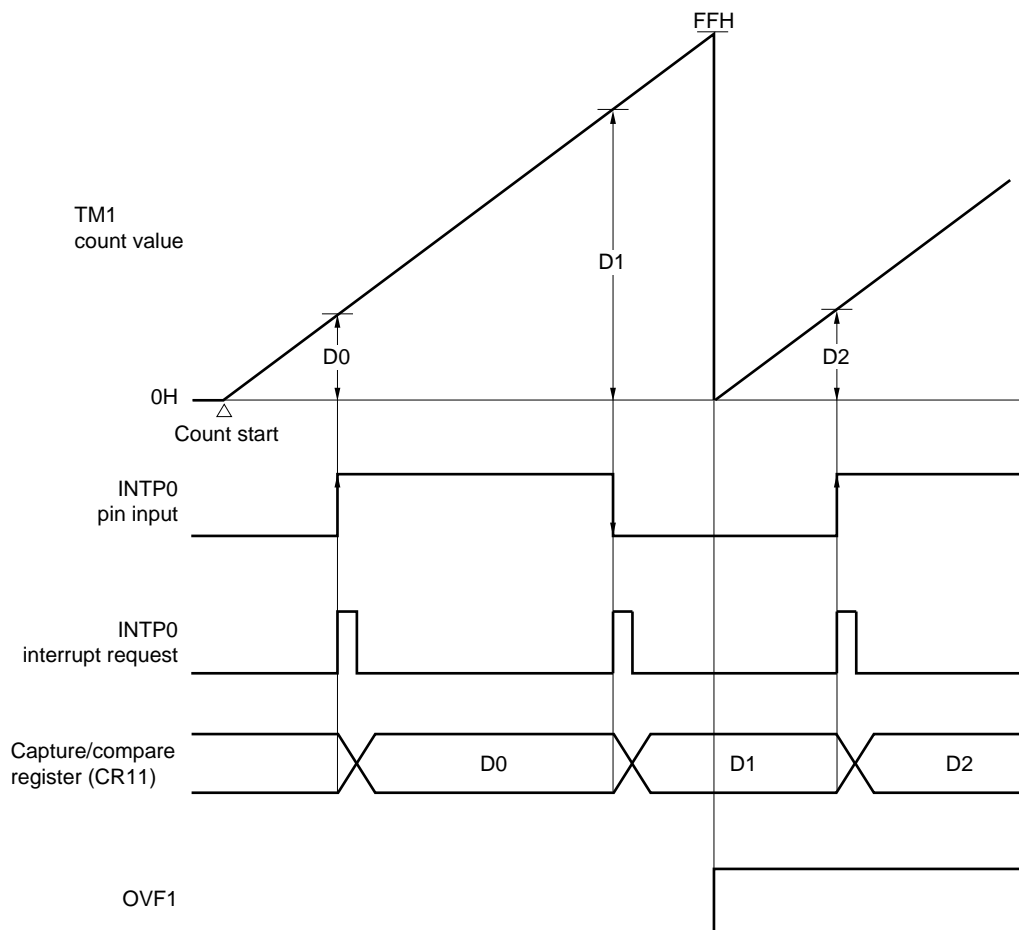
A valid edge detected from the input of the external interrupt request input pin (INTP0) is used as the external trigger (capture trigger). The count value of TM1 in the process of being counted is fetched into the capture register (CR12), or the capture/compare register (CR11) when a capture operation is specified, in synchronization with the capture trigger, and is retained there. The contents of the CR11 and CR12 are retained until the next capture trigger is generated.

The capture trigger valid edge is set by means of external interrupt mode register 0 (INTM0). If both rising and falling edges are set as capture triggers, the width of pulses input from off-chip can be measured, and if a capture trigger is generated by a single edge, the input pulse cycle can be measured.

See **Figure 22-1** for details of the INTM0 format.

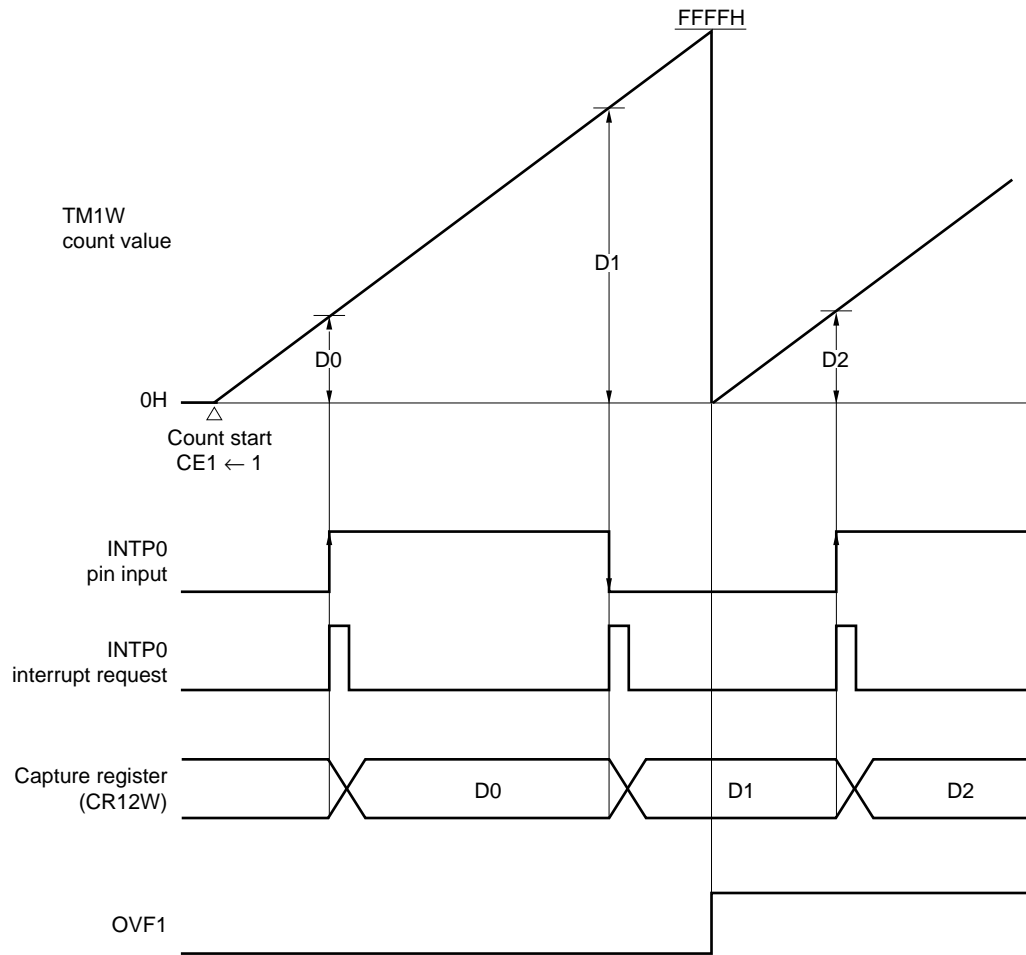
When CR11 is used as a capture register, TM1 can be cleared as soon as the contents of TM1 have been captured to CR11 by capture trigger.

Figure 10-16. Capture Operation in 8-Bit Operation Mode



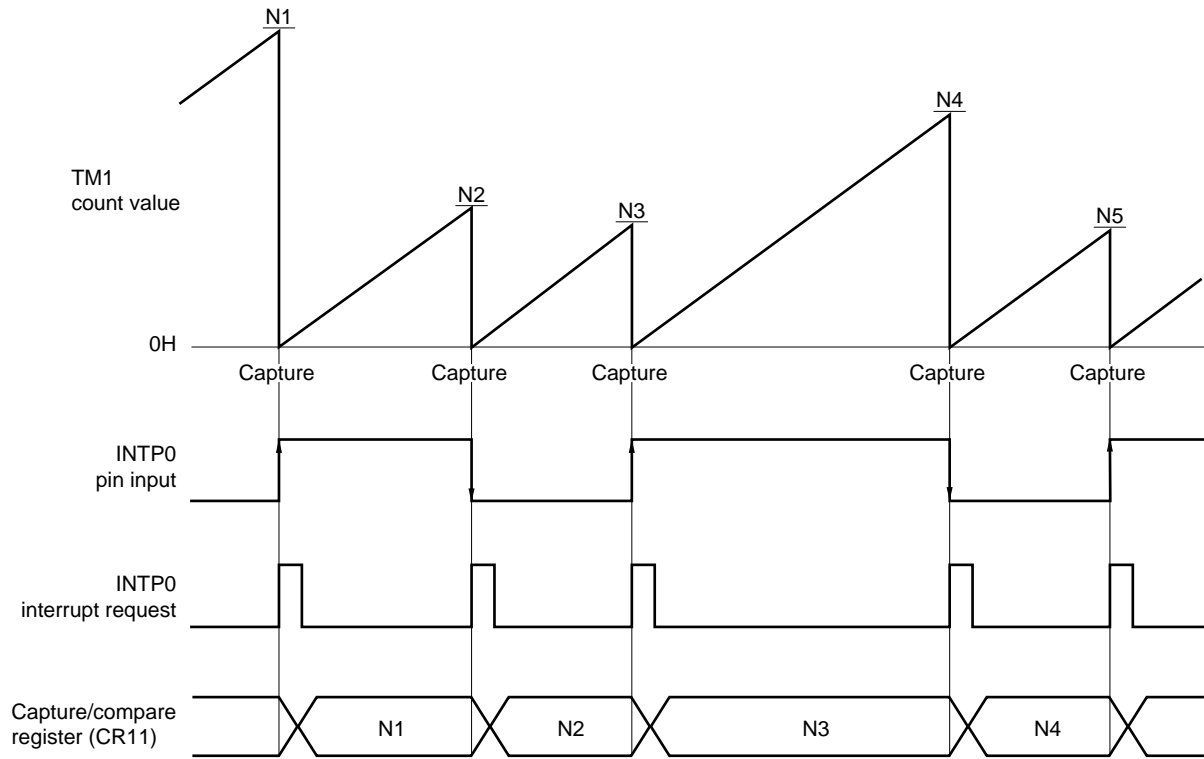
Remark Dn: TM1 count value (n = 0, 1, 2, ...)
CLR10 = 0, CLR11 = 0, CM = 1, BW1 = 0

Figure 10-17. Capture Operation in 16-Bit Operation Mode



Remark Dn: TM1W count value (n = 0, 1, 2, ...)
 CLR10 = 0, CLR11 = 0, CM = 1, BW1 = 1

Figure 10-18. TM1 Clearance after Capture Operation



Remark NI: TM1 count value ($n = 0, 1, 2, \dots$)
 CLR10 = 0, CLR11 = 1, CM = 1

10.7 Examples of Use

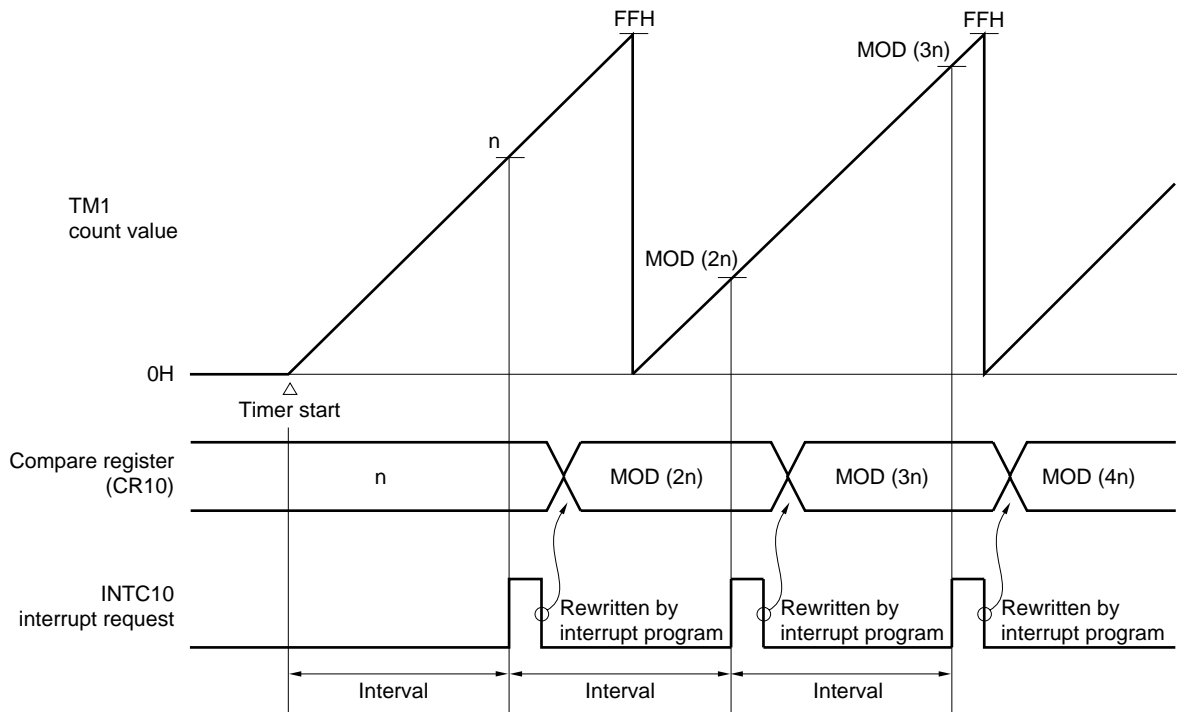
10.7.1 Operation as interval timer (1)

When timer counter 1 (TM1) is made free-running and a fixed value is added to the compare register (CR1n: $n = 0, 1$) in the interrupt service routine, TM1 operates as an interval timer with the added fixed value as the cycle (see **Figure 10-19**).

Since TM1 has two compare registers, two interval timers with different intervals can be constructed.

The control register settings are shown in Figure 10-20, the setting procedure in Figure 10-21, and the processing in the interrupt service routine in Figure 10-22.

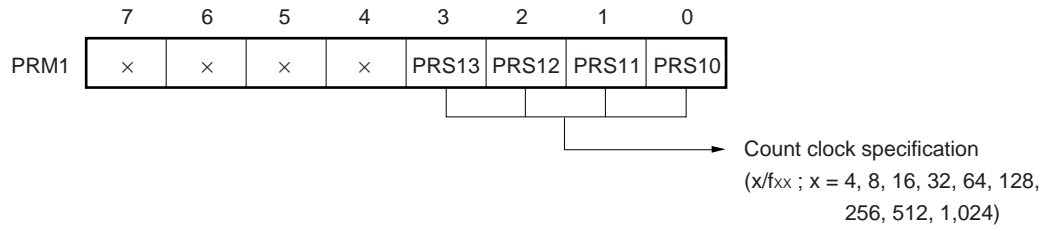
Figure 10-19. Interval Timer Operation (1) Timing



Remark $\text{Interval} = n \times x / f_{xx}$, $1 \leq n \leq \text{FFH}$
 $x = 4, 8, 16, 32, 64, 128, 256, 512, 1,024$

Figure 10-20. Control Register Settings for Interval Timer Operation (1)

(a) Prescaler mode register 1 (PRM1)



(b) Capture/compare control register 1 (CRC1)

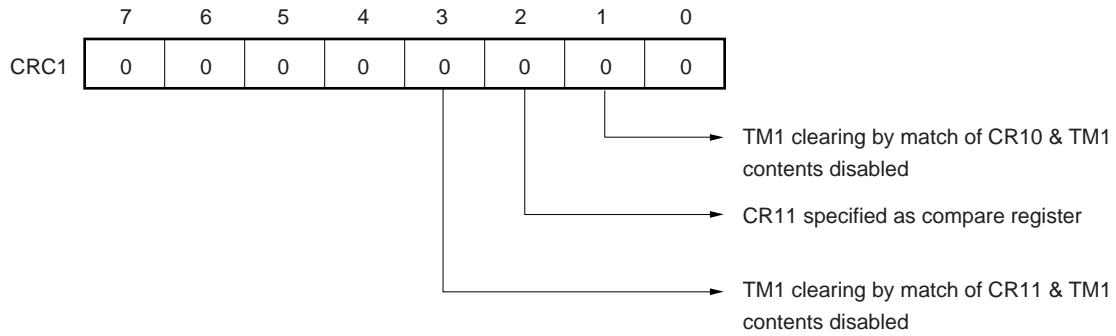


Figure 10-21. Interval Timer Operation (1) Setting Procedure

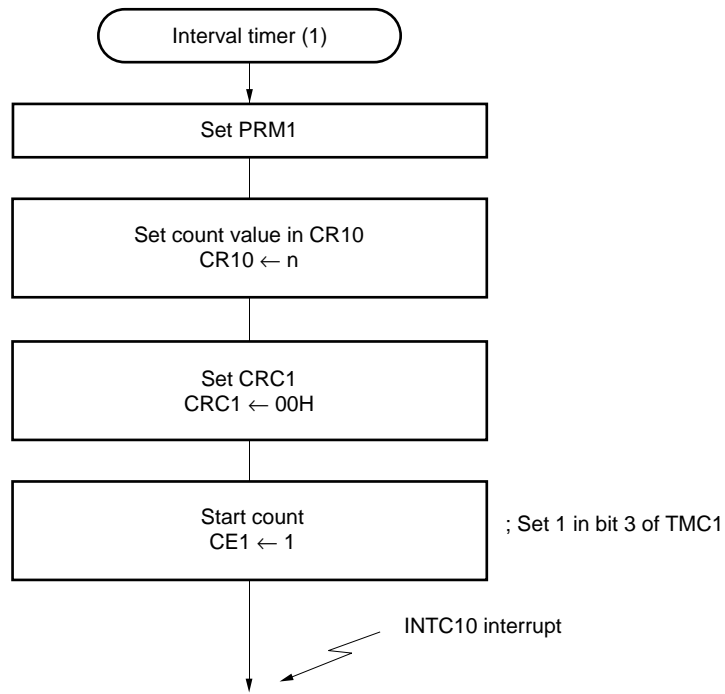
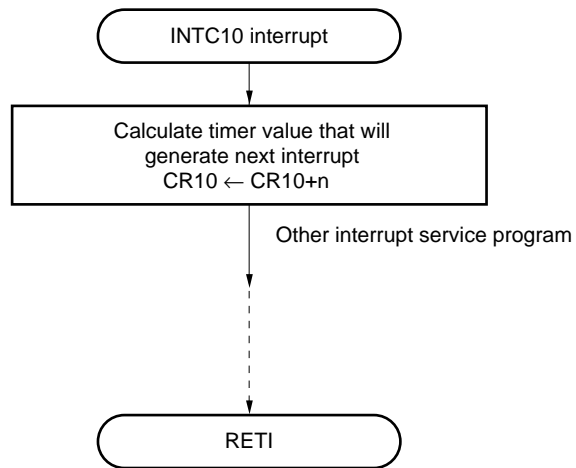


Figure 10-22. Interval Timer Operation (1) Interrupt Request Servicing

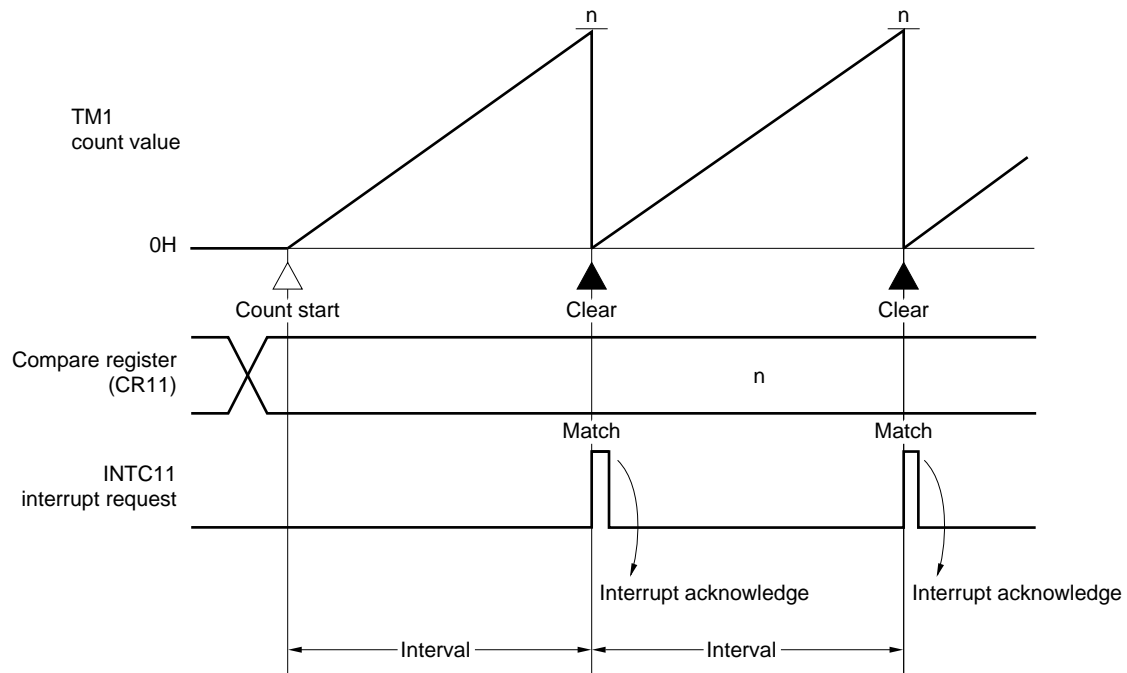


10.7.2 Operation as interval timer (2)

TM1 operates as an interval timer that generates interrupts repeatedly with the preset count time as the interval (see **Figure 10-23**).

The control register settings are shown in Figure 10-24, and the setting procedure in Figure 10-25.

Figure 10-23. Interval Timer Operation (2) Timing (when CR11 is used as Compare Register)



Remark Interval = $(n+1) \times x/f_{xx}$
 $0 \leq n \leq FFH$
 $x = 4, 8, 16, 32, 64, 128, 256, 512, 1,024$

Figure 10-24. Control Register Settings for Interval Timer Operation (2)

(a) Prescaler mode register 1 (PRM1)



(b) Capture/compare control register 1 (CRC1)

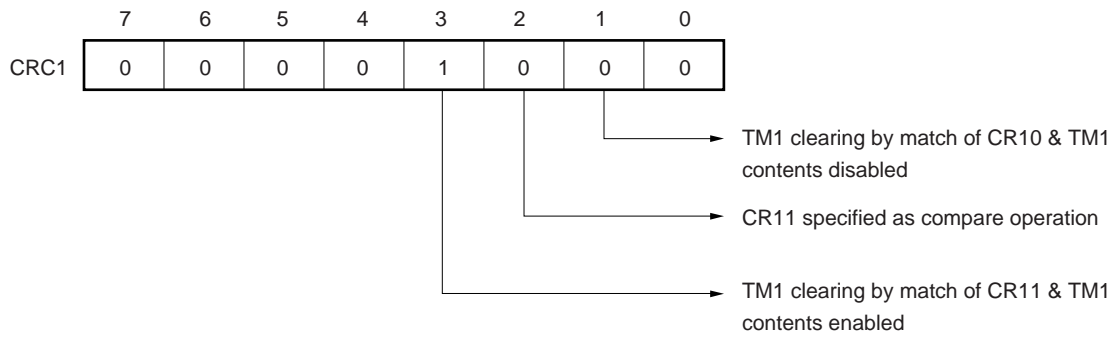
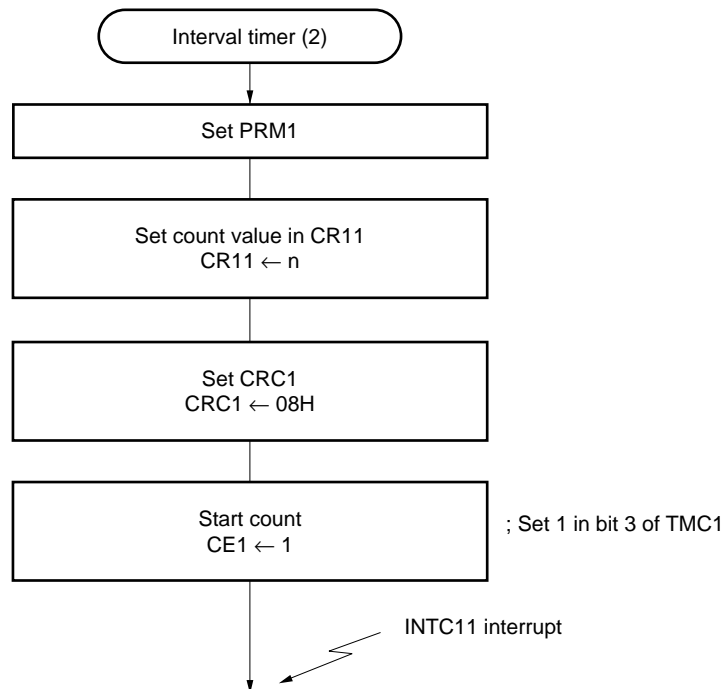


Figure 10-25. Interval Timer Operation (2) Setting Procedure



10.7.3 Pulse width measurement operation

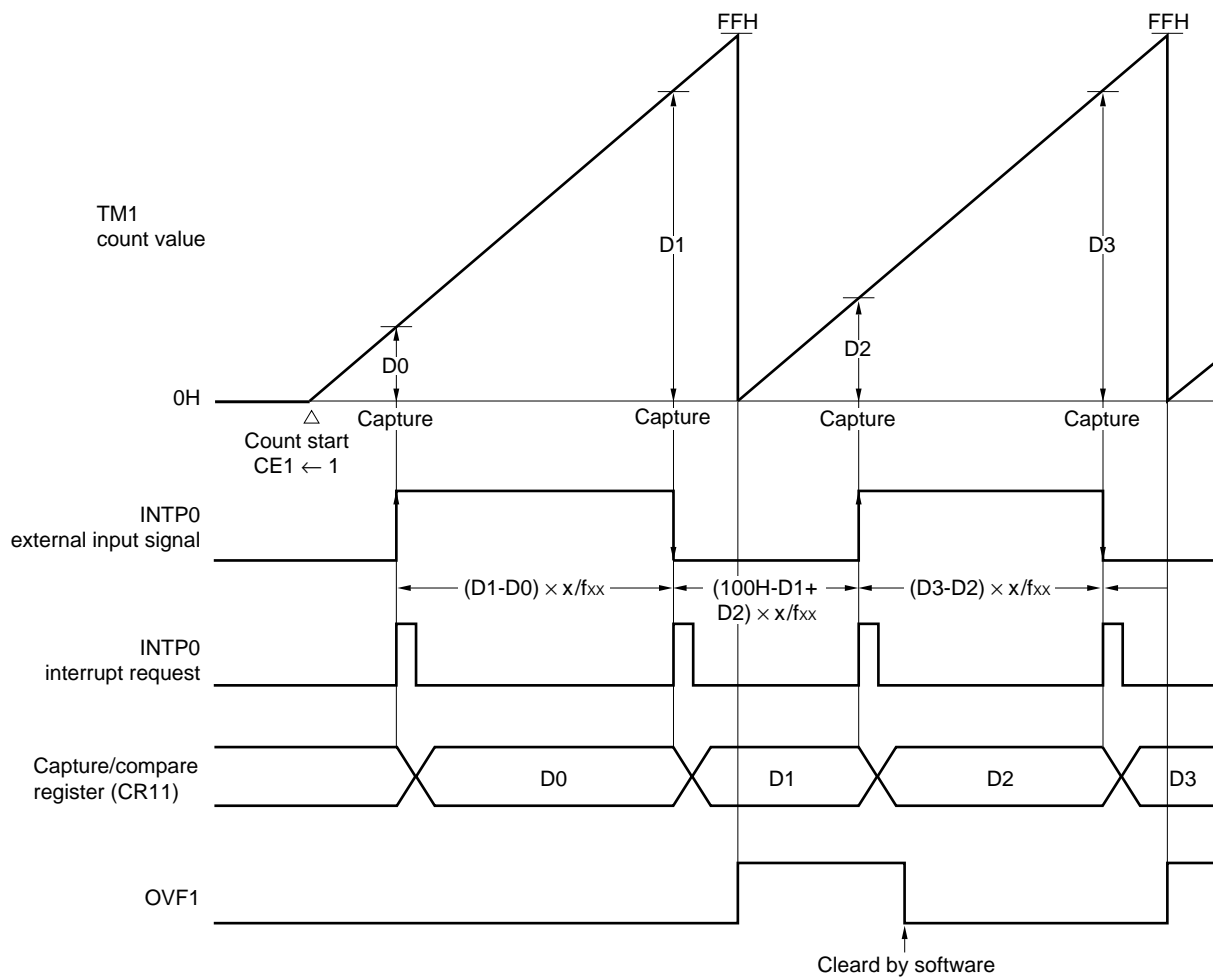
In pulse width measurement, the high-level or low-level width of external pulses input to the external interrupt request input pin (INTP0) is measured.

Both the high-level and low-level widths of pulses input to the INTP0 pin must be at least 3 sampling clocks selected by SCS0; if shorter than this, the valid edge (set as both rising and falling edges) in the INTP0 pin input, and held there.

As shown in Figure 10-26, the timer counter 1 (TM1) value being counted is fetched into the capture/compare register (CR11) set as a capture register in synchronization with a valid edge (set as both rising and falling edges) in the INTP0 pin input, and held there. The pulse width is obtained from the product of the difference between the TM1 count value (D_n) fetched into and held in the CR11 on detection of the n th valid edge and the count value (D_{n-1}) fetched and held on detection of valid edge $n-1$, and the number of count clocks (x/f_{xx} ; $x = 4, 8, 16, 32, 64, 128, 256, 512, 1,024$).

The control register settings are shown in Figure 10-27, and the setting procedure in Figure 10-28.

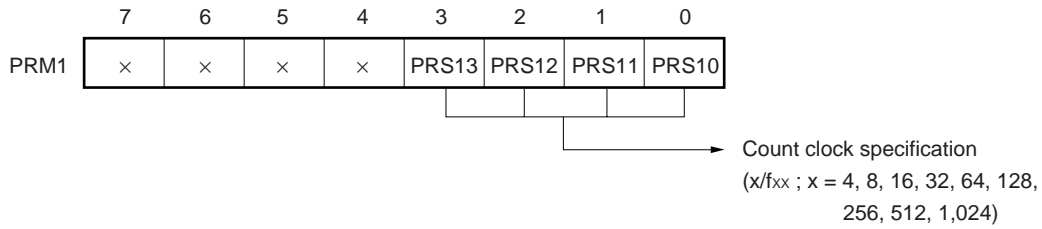
Figure 10-26. Pulse Width Measurement Timing (when CR11 is used as Capture Register)



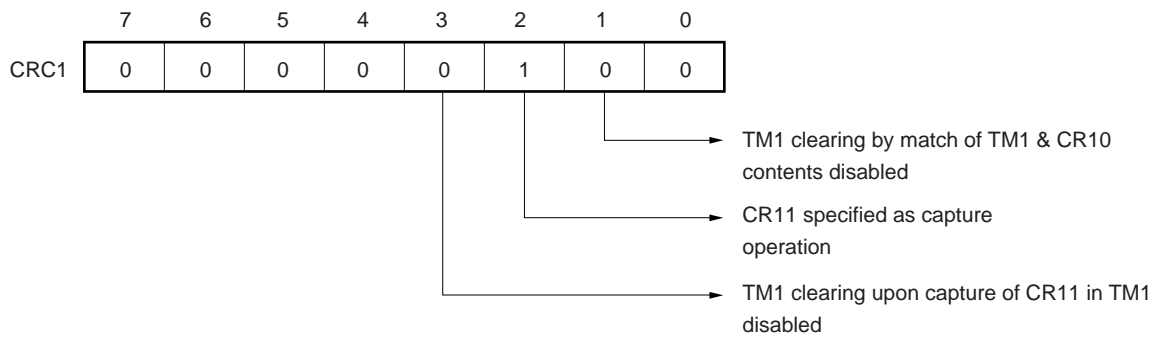
Remark D_n : TM1 count value ($n = 0, 1, 2, \dots$)
 $x = 4, 8, 16, 32, 64, 128, 256, 512, 1,024$

Figure 10-27. Control Register Settings for Pulse Width Measurement

(a) Prescaler mode register 1 (PRM1)



(b) Capture/compare control register 1 (CRC1)



(c) External interrupt mode register 0 (INTM0)

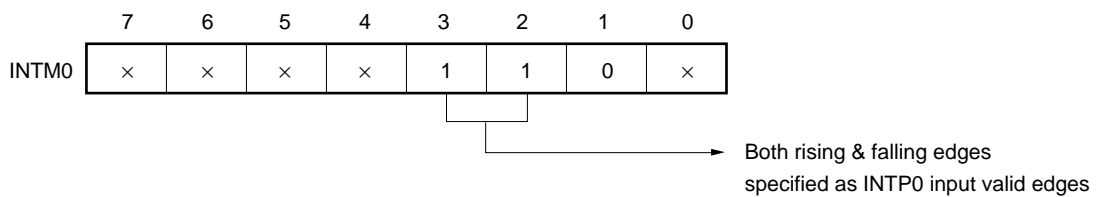


Figure 10-28. Pulse Width Measurement Setting Procedure

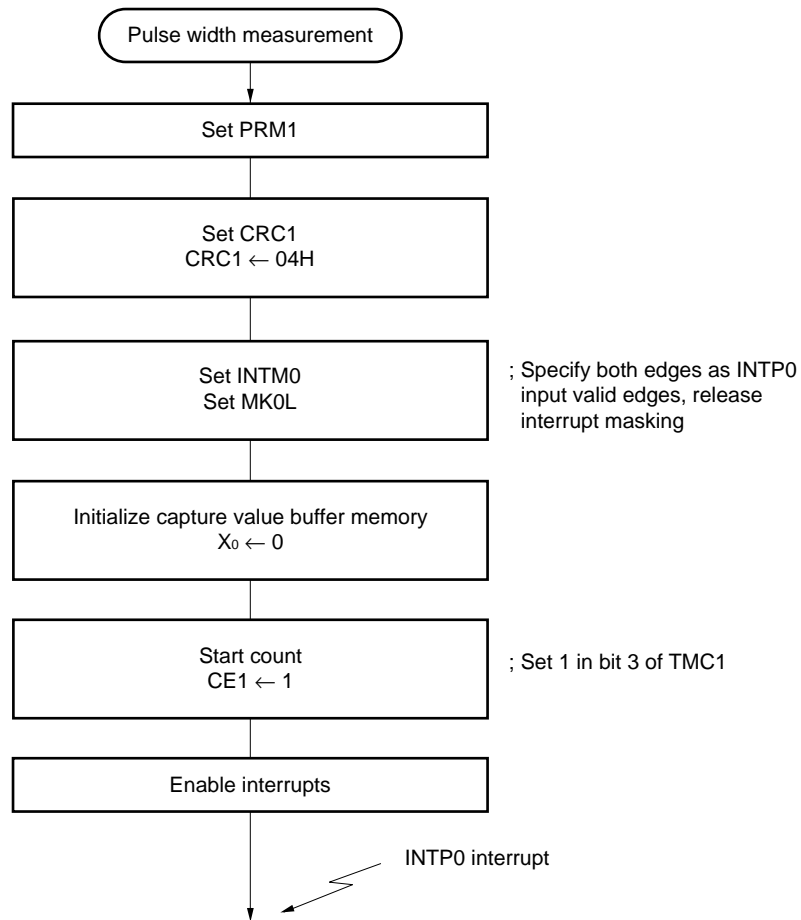
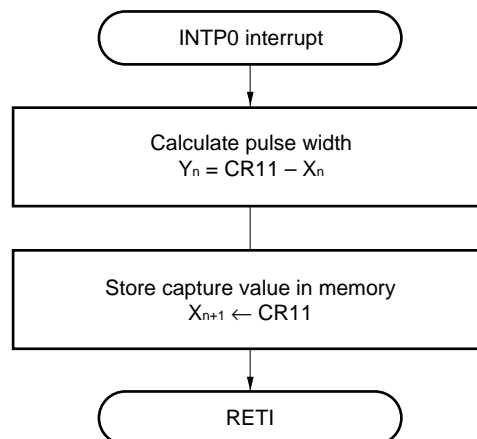


Figure 10-29. Interrupt Request Servicing that Calculates Pulse Width



10.8 Cautions

(1) While timer/event counter 1 is operating (while the CE1 bit of the timer control register 1 (TMC1) is set), malfunctioning may occur if the contents of the following registers are rewritten. This is because it is undefined which takes precedence in a contention, the change in the hardware functions due to rewriting the register, or the change in the status because of the function before rewriting.

Therefore, be sure to stop the counter operation for the sake of safety before rewriting the contents of the following registers.

- Prescaler mode register 1 (PRM1)
- Capture/compare control register 1 (CRC1)
- CMD2 bit of timer control register 1 (TMC1)

(2) If the contents of the compare register (CR1n: n = 0 or 1) coincide with those of TM1 when an instruction that stops timer counter 1 (TM1) operation is executed, the counting operation of TM1 stops, but an interrupt request is generated. In order not to generate the interrupt when stopping the operation of TM1, mask the interrupt in advance by using the interrupt mask register before stopping TM1.

Example

Program that may generate interrupt request

```
CLR1 CE1
OR MK0L, #C0H
```

← Interrupt request from timer/event counter 1 occurs between these instructions

Program that does not generate interrupt request

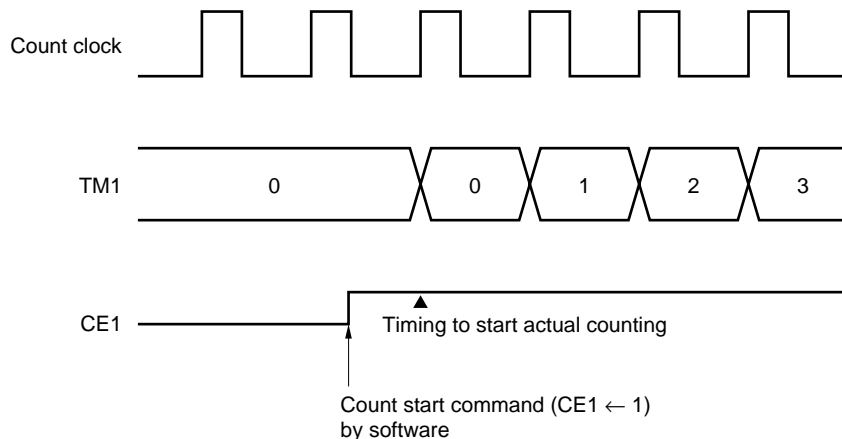
```
OR MK0L, #C0H
CLR1 CE1
CLR1 CIF10
CLR1 CIF11
```

← Disables interrupt from timer/event counter 1
← Clears interrupt request flag from timer/event counter 1

(3) Up to 1 count clock is required after an operation to start timer/event counter 1 (CE1 ← 1) has been performed before timer/event counter 1 actually starts (refer to **Figure 10-30**).

For example, when using timer/event counter 1 as an interval timer, the first interval time is delayed by up to 1 clock. The second and those that follow are at the specified interval.

Figure 10-30. Operation when Counting is Started



- (4) While an instruction that writes data to the compare register (CR1n: n = 0, 1) is executed, coincidence between CR1n, to which the data is to be written, and timer counter 1 (TM1) is not detected.
Write data to CR1n when timer/event counter 1 is executing counting operation in the timing that the contents of TM1 do not coincide with the value of CR1n before and after writing (e.g., immediately after an interrupt request has been generated because TM1 and CR1n have coincided).
- (5) Coincidence between TM1 and compare register (CR1n: n = 0, 1) is detected only when TM1 is incremented. Therefore, the interrupt request is not generated even if the same value as TM1 is written to CR1n.
- (6) When timer/event counter 1 is used as an external event counter, it is not possible to distinguish between the case where there is no valid edge input at all and the case where there is a single valid edge input, using the timer counter 1 (TM1) alone (refer to **Figure 10-31**), since the contents of TM1 are 0 in both cases. If it is necessary to make this distinction, the INTP3 interrupt request flag should be used. To make a distinction, use the interrupt request flag of INTP0, as shown in Figure 10-32.

Figure 10-31. Example of the Case where the External Event Counter does Not Distinguish between One Valid Edge Input and No Valid Edge Input

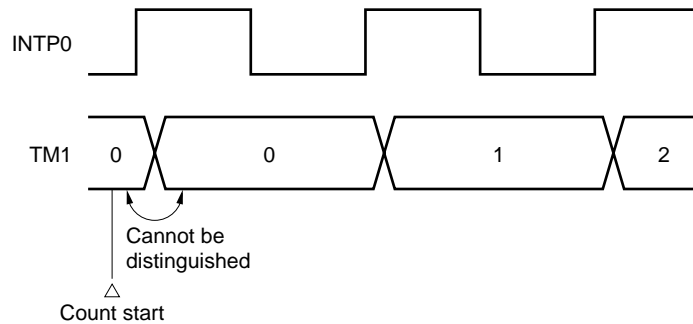
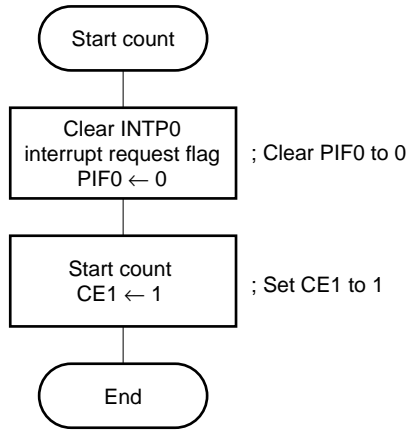
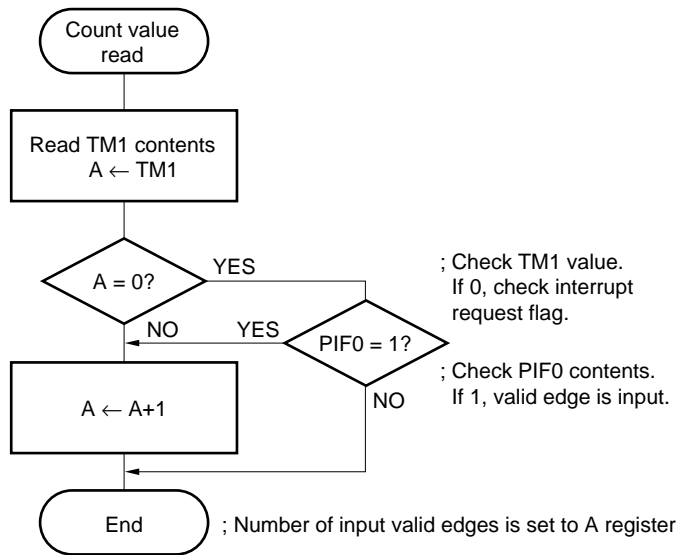


Figure 10-32. To Distinguish whether One or No Valid Edge has been Input with External Event Counter

(a) Processing when count is started



(b) Processing when count value is read



[MEMO]

CHAPTER 11 TIMER/EVENT COUNTER 2

11.1 Functions

Timer/event counter 2 is 16-bit or 8-bit timer/event counter, and has the following function which the other three timer/counters do not have:

- One-shot timer^{Note}

Note The one-shot timer function is a count operation of timer/event counter 2 (TM2/TM2W), and is thus different in nature from the one-shot pulse output function of timer/event counter 0.

In this section, the following four basic functions are described in order:

- Interval timer
- Programmable square-wave output
- Pulse width measurement
- External event counter

(1) Interval timer

Generates internal interrupts at preset intervals.

Table 11-1. Timer/Event Counter 2 Intervals

Minimum Interval	Maximum Interval	Resolution
$4/f_{xx}$ (0.32 μ s)	$2^{16} \times 4/f_{xx}$ (20.8 ms)	$4/f_{xx}$ (0.32 μ s)
$8/f_{xx}$ (0.64 μ s)	$2^{16} \times 8/f_{xx}$ (41.7 ms)	$8/f_{xx}$ (0.64 μ s)
$16/f_{xx}$ (1.27 μ s)	$2^{16} \times 16/f_{xx}$ (83.4 ms)	$16/f_{xx}$ (1.27 μ s)
$32/f_{xx}$ (2.54 μ s)	$2^{16} \times 32/f_{xx}$ (167 ms)	$32/f_{xx}$ (2.54 μ s)
$64/f_{xx}$ (5.09 μ s)	$2^{16} \times 64/f_{xx}$ (333 ms)	$64/f_{xx}$ (5.09 μ s)
$128/f_{xx}$ (10.17 μ s)	$2^{16} \times 128/f_{xx}$ (667 ms)	$128/f_{xx}$ (10.17 μ s)
$256/f_{xx}$ (20.35 μ s)	$2^{16} \times 256/f_{xx}$ (1.33 s)	$256/f_{xx}$ (20.35 μ s)
$512/f_{xx}$ (40.70 μ s)	$2^{16} \times 512/f_{xx}$ (2.67 s)	$512/f_{xx}$ (40.70 μ s)
$1,024/f_{xx}$ (81.40 μ s)	$2^{16} \times 1,024/f_{xx}$ (5.33 s)	$1,024/f_{xx}$ (81.40 μ s)

(): When $f_{xx} = 12.58$ MHz

(2) Programmable square-wave output

Outputs square waves independently to the timer output pins (TO2 and TO3).

Table 11-2. Timer/Event Counter 2 Programmable Square-Wave Output Setting Range

Minimum Pulse Width	Maximum Pulse Width
$4/f_{xx}$ (0.32 μ s)	$2^{16} \times 4/f_{xx}$ (20.8 ms)
$8/f_{xx}$ (0.64 μ s)	$2^{16} \times 8/f_{xx}$ (41.7 ms)
$16/f_{xx}$ (1.27 μ s)	$2^{16} \times 16/f_{xx}$ (83.4 ms)
$32/f_{xx}$ (2.54 μ s)	$2^{16} \times 32/f_{xx}$ (167 ms)
$64/f_{xx}$ (5.09 μ s)	$2^{16} \times 64/f_{xx}$ (333 ms)
$128/f_{xx}$ (10.17 μ s)	$2^{16} \times 128/f_{xx}$ (667 ms)
$256/f_{xx}$ (20.35 μ s)	$2^{16} \times 256/f_{xx}$ (1.33 s)
$512/f_{xx}$ (40.70 μ s)	$2^{16} \times 512/f_{xx}$ (2.67 s)
$1,024/f_{xx}$ (81.40 μ s)	$2^{16} \times 1,024/f_{xx}$ (5.33 s)

(): When $f_{xx} = 12.58$ MHz

Caution The above table is applicable to use of an internal clock.

(3) Pulse width measurement

Detects the pulse width of the signal input to an external interrupt request input pins (INTP1 and INTP2).

Table 11-3. Timer/Event Counter 2 Pulse Width Measurement Range

Measurable Pulse Width ^{Note}		Resolution
$4/f_{XX}$ (0.32 μ s)	to $2^{16} \times 4/f_{XX}$ (20.8 ms)	$4/f_{XX}$ (0.32 μ s)
$8/f_{XX}$ (0.64 μ s)	to $2^{16} \times 8/f_{XX}$ (41.7 ms)	$8/f_{XX}$ (0.64 μ s)
$16/f_{XX}$ (1.27 μ s)	to $2^{16} \times 16/f_{XX}$ (83.4 ms)	$16/f_{XX}$ (1.27 μ s)
$32/f_{XX}$ (2.54 μ s)	to $2^{16} \times 32/f_{XX}$ (167 ms)	$32/f_{XX}$ (2.54 μ s)
$64/f_{XX}$ (5.09 μ s)	to $2^{16} \times 64/f_{XX}$ (333 ms)	$64/f_{XX}$ (5.09 μ s)
$128/f_{XX}$ (10.17 μ s)	to $2^{16} \times 128/f_{XX}$ (667 ms)	$128/f_{XX}$ (10.17 μ s)
$256/f_{XX}$ (20.35 μ s)	to $2^{16} \times 256/f_{XX}$ (1.33 s)	$256/f_{XX}$ (20.35 μ s)
$512/f_{XX}$ (40.70 μ s)	to $2^{16} \times 512/f_{XX}$ (2.67 s)	$512/f_{XX}$ (40.70 μ s)
$1,024/f_{XX}$ (81.40 μ s)	to $2^{16} \times 1,024/f_{XX}$ (5.33 s)	$1,024/f_{XX}$ (81.40 μ s)

(): When $f_{XX} = 12.58$ MHz

Note The minimum pulse width that can be measured differs depending on the selected value of f_{CLK} . The minimum pulse width that can be measured is the value of $3/f_{CLK}$ or the value in the above table, whichever greater.

(4) External event counter

Counts the clock pulses input from the external interrupt request input pin (INTP2) (CI pin input pulses). The clocks that can be input to timer/event counter 2 are shown in Table 11-4.

Table 11-4. Clocks Enabled to be Input to Timer/Event Counter 2

	When Counting One Edge	When Counting Both Edges
Maximum frequency	$f_{CLK}/6$ (2.10 MHz)	$f_{CLK}/6$ (2.10 MHz)
Minimum pulse width (High and low levels)	$3/f_{CLK}$ (0.24 μ s)	$3/f_{CLK}$ (0.24 μ s)

(): When $f_{CLK} = 12.58$ MHz and $f_{XX} = 12.58$ MHz

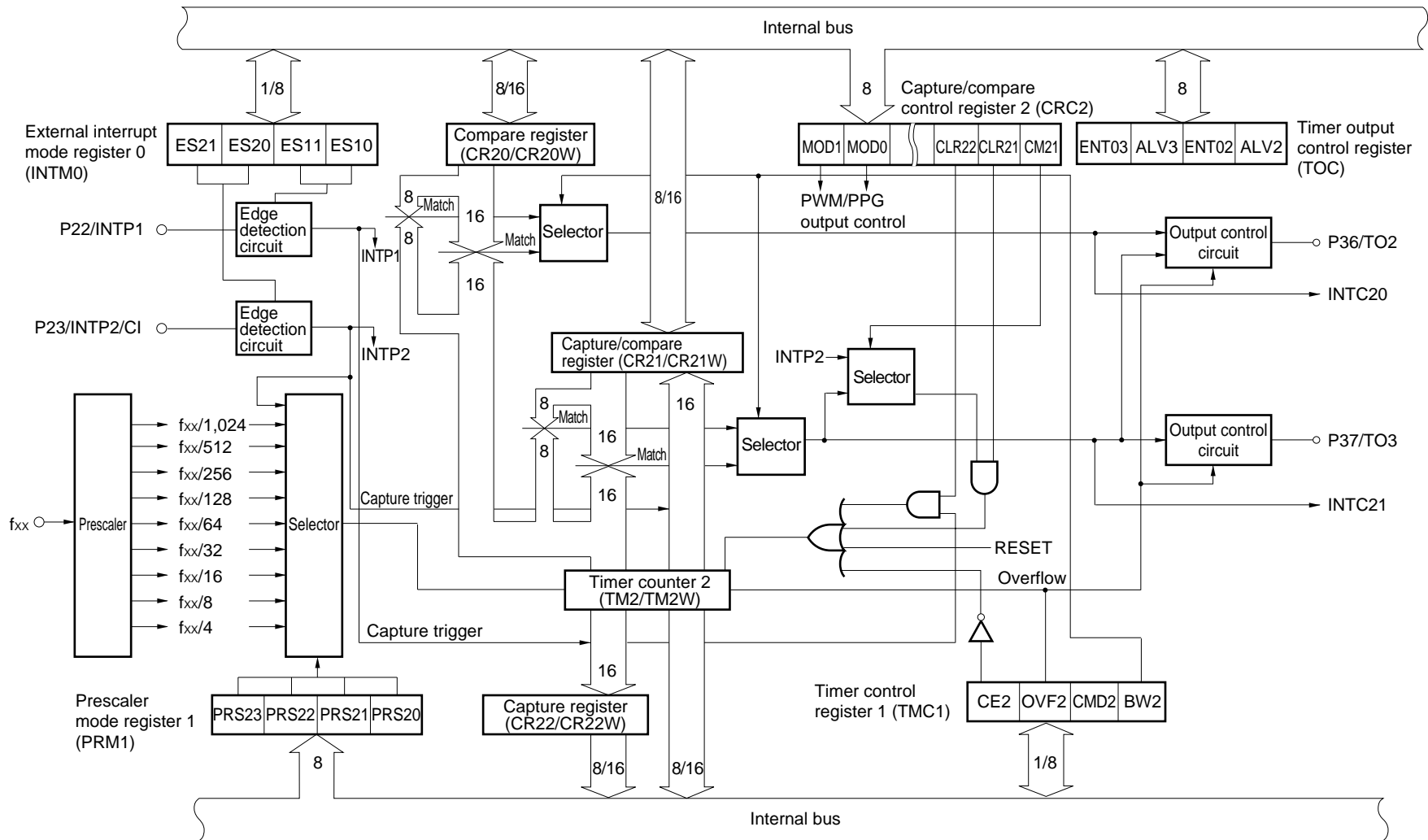
11.2 Configuration

Timer/event counter 2 consists of the following registers.

- Timer counter (TM2/TM2W) × 1
- Compare register (CR20/CR20W) × 1
- Capture/compare register (CR21/CR21W) × 1
- Capture register (CR22/CR22W) × 1

The block diagram of timer/event counter 2 is shown in Figure 11-1.

Figure 11-1. Timer/Event Counter 2 Block Diagram



(1) Timer counter 2 (TM2/TM2W)

TM2/TM2W is a timer counter that counts up the count clock specified by the high-order 4 bits of prescaler mode register 1 (PRM1). An internal clock or external clock can be selected as the count clock.

The count operation can be stopped or enabled by means of timer control register 1 (TMC1). The timer counter can select to operate in an 8-bit (TM2) or 16-bit (TM2W) mode. TM2/TM2W can be read only with an 8/16-bit manipulation instruction.

When $\overline{\text{RESET}}$ is input, TM2/TM2W is cleared to 00H and the count is stopped.

(2) Compare register (CR20/CR20W)

CR20/CR20W is an 8/16-bit register that holds the value that determines the interval timer operation cycle.

If the contents of the CR20/CR20W register match the contents of TM2/TM2W, an interrupt request (INTC20) and a timer output control signal are generated. This compare register operates as CR20 in the 8-bit mode, and CR20W in the 16-bit mode.

CR20/CR20W can be read or written to with an 8/16-bit manipulation instruction. The contents of this register are undefined after $\overline{\text{RESET}}$ input.

(3) Capture/compare register (CR21/CR21W)

CR21/CR21W is an 8/16-bit register that can be specified as a compare register for detecting a match with the TM2/TM2W count value or a capture register for capturing the TM2/TM2W count value according to the setting of the capture/compare control register 2 (CRC2).

This capture/compare register operates as CR21 in the 8-bit mode, and CR21W in the 16-bit mode.

CR21/CR21W can be read or written to with an 8/16-bit manipulation instruction.

The contents of this register are undefined after $\overline{\text{RESET}}$ input.

(a) When specified as compare register

CR21/CR21W functions as an 8/16-bit register that holds the value that determines the interval timer operation cycle.

An interrupt request (INTC21) and a timer output control signal are generated by a match between the contents of the CR21/CR21W register and the contents of TM2/TM2W.

Also, the count value can be cleared by a match of the contents.

(b) When specified as capture register

CR21/CR21W functions as an 8/16-bit register that captures the contents of TM2/TM2W in synchronization with the input of a valid edge on the external interrupt input pin (INTP2) (capture trigger).

The contents of the CR21/CR21W register are retained until the next capture trigger is generated.

(4) Capture register (CR22/CR22W)

CR22/CR22W is an 8/16-bit register that captures the contents of TM2/TM2W.

The capture operation is synchronized with the input of a valid edge to the external interrupt request input pin (INTP1) (capture trigger). The contents of the CR22/CR22W register are retained until the next capture trigger is generated.

Also, TM2/TM2W can be cleared after a capture operation.

This capture register operates as CR22 in the 8-bit mode, and CR22W in the 16-bit mode.

CR22/CR22W can be read only with an 8/16-bit manipulation instruction. The contents of this register are undefined after $\overline{\text{RESET}}$ input.

(5) Edge detection circuit

The edge detection circuit detects an external input valid edge.

This circuit generates an external interrupt request (INTP1) and capture trigger by detecting the valid edge of the INTP1 pin input specified by the external interrupt mode register 0 (INTM0). It also generates a capture trigger, the count clock of an external event, and external interrupt request (INTP2) by detecting the valid edge from an external interrupt request input pin (INTP2).

(6) Output control circuit

It is possible to invert the timer output when the CR20/CR21 register contents and the contents of TM2 match or the CR20W/CR21W contents and the contents of TM2W match.

A square wave can be output from the timer output pins (TO2/TO3) in accordance with the setting of the high-order 4 bits of the timer output control register (TOC). At this time, PWM output or PPG output can be performed according to the specification of the capture/compare control register 2 (CRC2).

Timer output can be disabled/enabled by means of the TOC register. When timer output is disabled, a fixed level is output to the TO2 and TO3 pins (the output level is set by the TOC register).

(7) Prescaler

The prescaler generates the count clock from the internal system clock. The clock generated by the prescaler is selected by the selector, and is used as the count clock by the timer counter 2 (TM2/TM2W) to perform count operations.

(8) Selector

The selector selects a signal resulting from dividing the internal clock or the edge detected by the edge detection circuit as the count clock of timer counter 2 (TM2/TM2W).

11.3 Timer/Event Counter 2 Control Registers

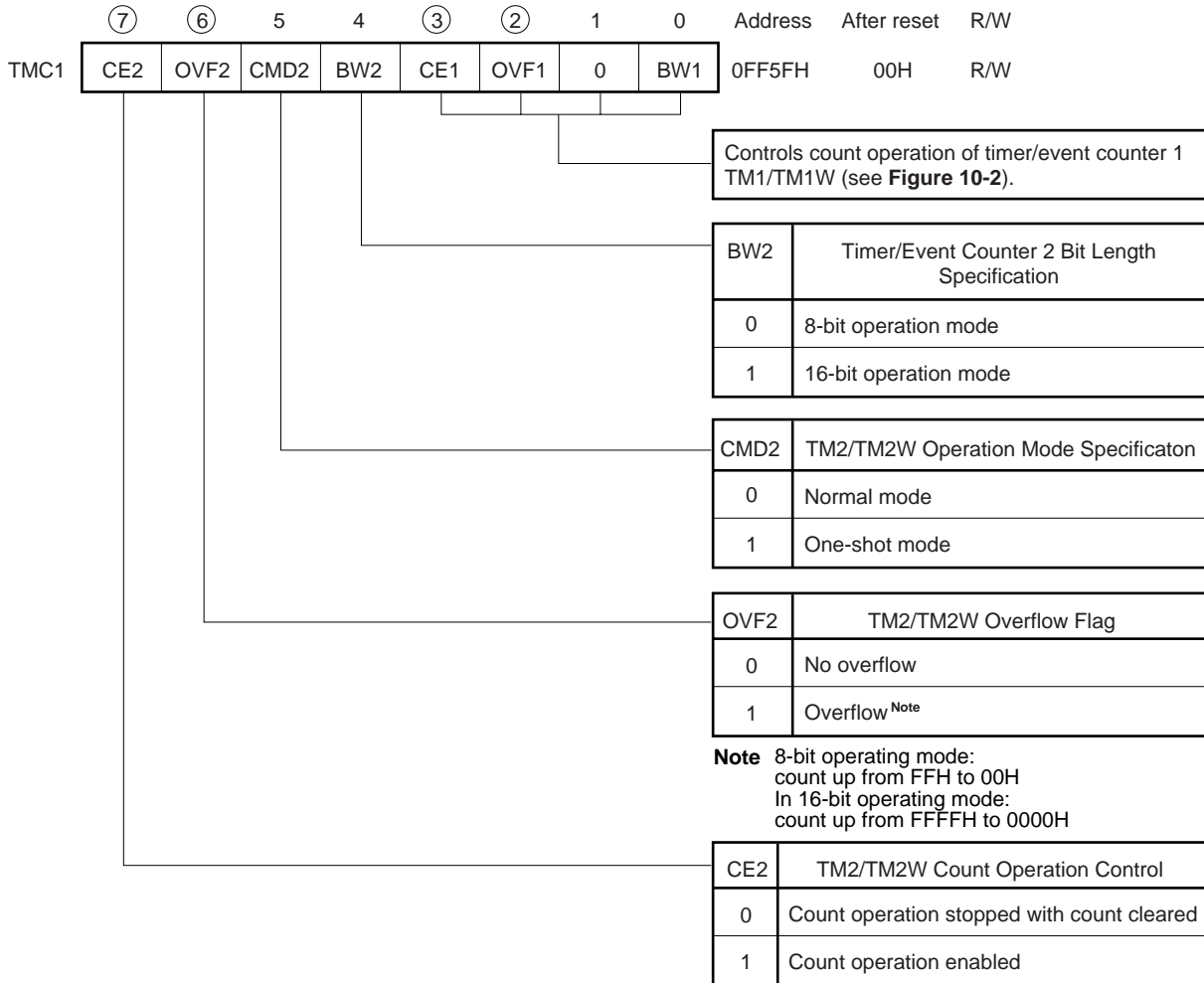
(1) Timer control register 1 (TMC1)

In TMC1 the timer/event counter 2 TM2/TM2W count operation is controlled by the high-order 4 bits (the low-order 4 bits control the count operation of timer/event counter 1, TM1/TM1W).

TMC1 can be read or written to with an 8-bit manipulation instruction or bit manipulation instruction. The format of TMC1 is shown in Figure 11-2.

RESET input clears TMC1 to 00H.

Figure 11-2. Timer Control Register 1 (TMC1) Format



Remark The OVF2 bit is reset by software only.

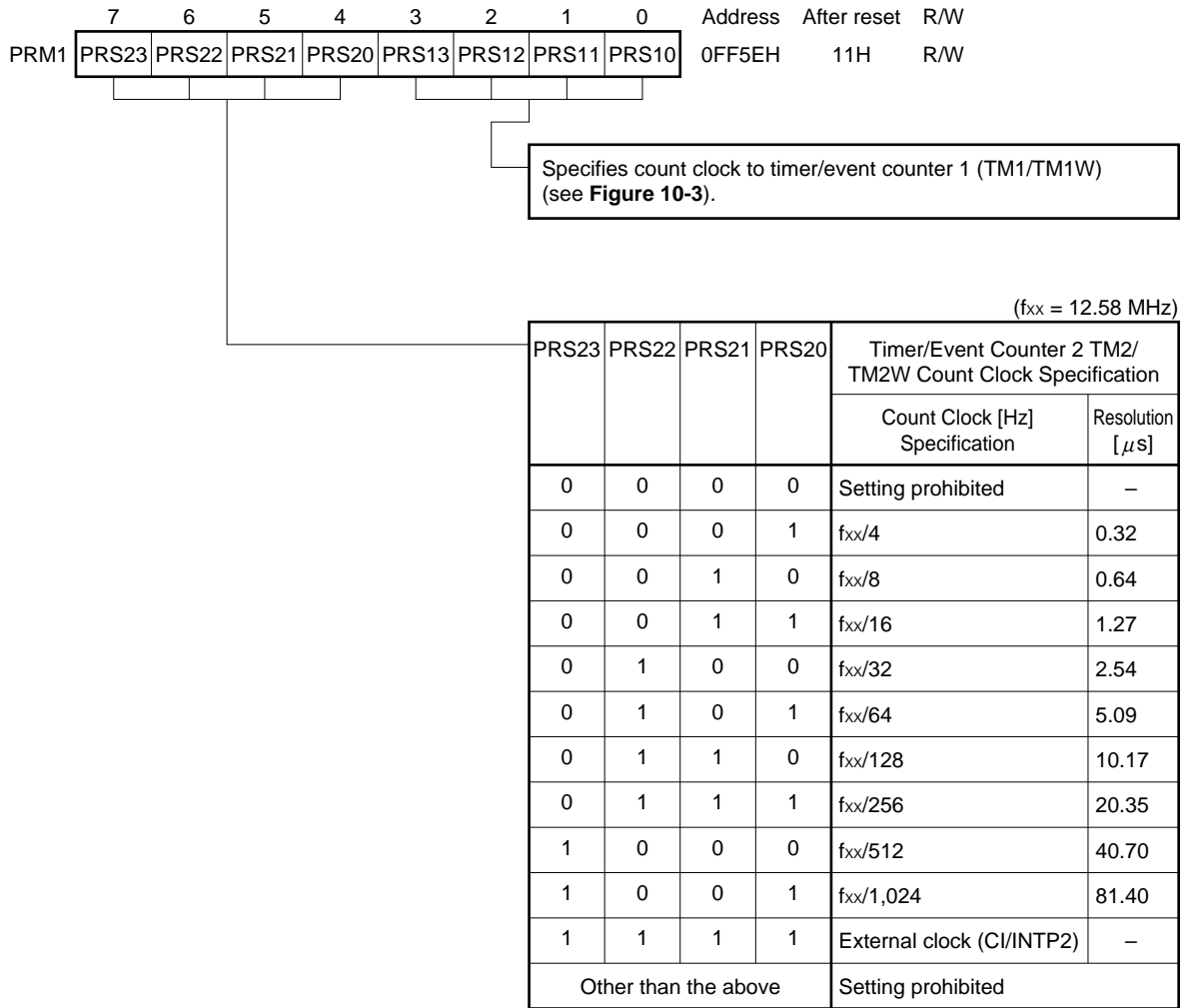
(2) Prescaler mode register 1 (PRM1)

In PRM1, the count clock to timer/event counter 2 TM2/TM2W is specified by the high-order 4 bits (the low-order 4 bits specify the count clock to timer/event counter 1 TM1/TM1W).

PRM1 can be read or written with an 8-bit manipulation instruction. The format of PRM1 is shown in Figure 11-3.

$\overline{\text{RESET}}$ input sets PRM1 to 11H.

Figure 11-3. Prescaler Mode Register 1 (PRM1) Format



Remark f_{xx} : X1 input frequency or oscillation frequency

(3) Capture/compare control register 2 (CRC2)

CRC2 specifies the enabling condition for a timer counter 2 (TM2/TM2W) clear operation by the capture/compare register (CR21/CR21W) or the capture register (CR22/CR22W) and the timer output (TO2/TO3) mode.

CRC2 can be read or written with an 8-bit manipulation instruction. The format of CRC2 is shown in Figure 11-4. RESET input sets CRC2 to 10H.

Figure 11-4. Capture/Compare Control Register 2 (CRC2) Format

	7	6	5	4	3	2	1	0	Address	After reset	R/W
CRC2	MOD1	MOD0	CLR22	1	CLR21	CM21	0	0	0FF33H	10H	R/W

MOD1	MOD0	CLR22	CLR21	CM21	CR21 Operation Specification	Timer Output Mode Specification		TM2 Clear Operation
						TO2	TO3	
0	0	0	0	0	Compare operations	Toggle output	Toggle output	Not cleared
0	0	0	1	0		Toggle output	Toggle output	Cleared if TM2 and CR21 match
0	0	1	0	0		Toggle output	Toggle output	Cleared after TM2 contents are captured in CR22 by INTP1
0	0	1	1	0		Toggle output	Toggle output	Cleared by match of TM2 and CR21 or after TM2 contents are captured in CR22 by INTP1
0	1	0	0	0		PWM output	Toggle output	Not cleared
1	0	0	0	0		PWM output	PWM output	Not cleared
1	1	0	1	0		PPG output	Toggle output	Cleared if TM2 and CR21 match
0	0	0	0	1	Capture operations	Toggle output	/	Not cleared
0	0	0	1	1		Toggle output		Cleared after TM2 contents are captured in CR21 by INTP2
0	1	0	0	1		PWM output		Not cleared
Other than the above					Setting prohibited			

Remark The register names in the 8-bit operation mode are shown in this figure. In the 16-bit operation mode, the register names TM2, CR20, CR21, and CR22 are TM2W, CR20W, CR21W, and CR22W, respectively.

(4) Timer output control register (TOC)

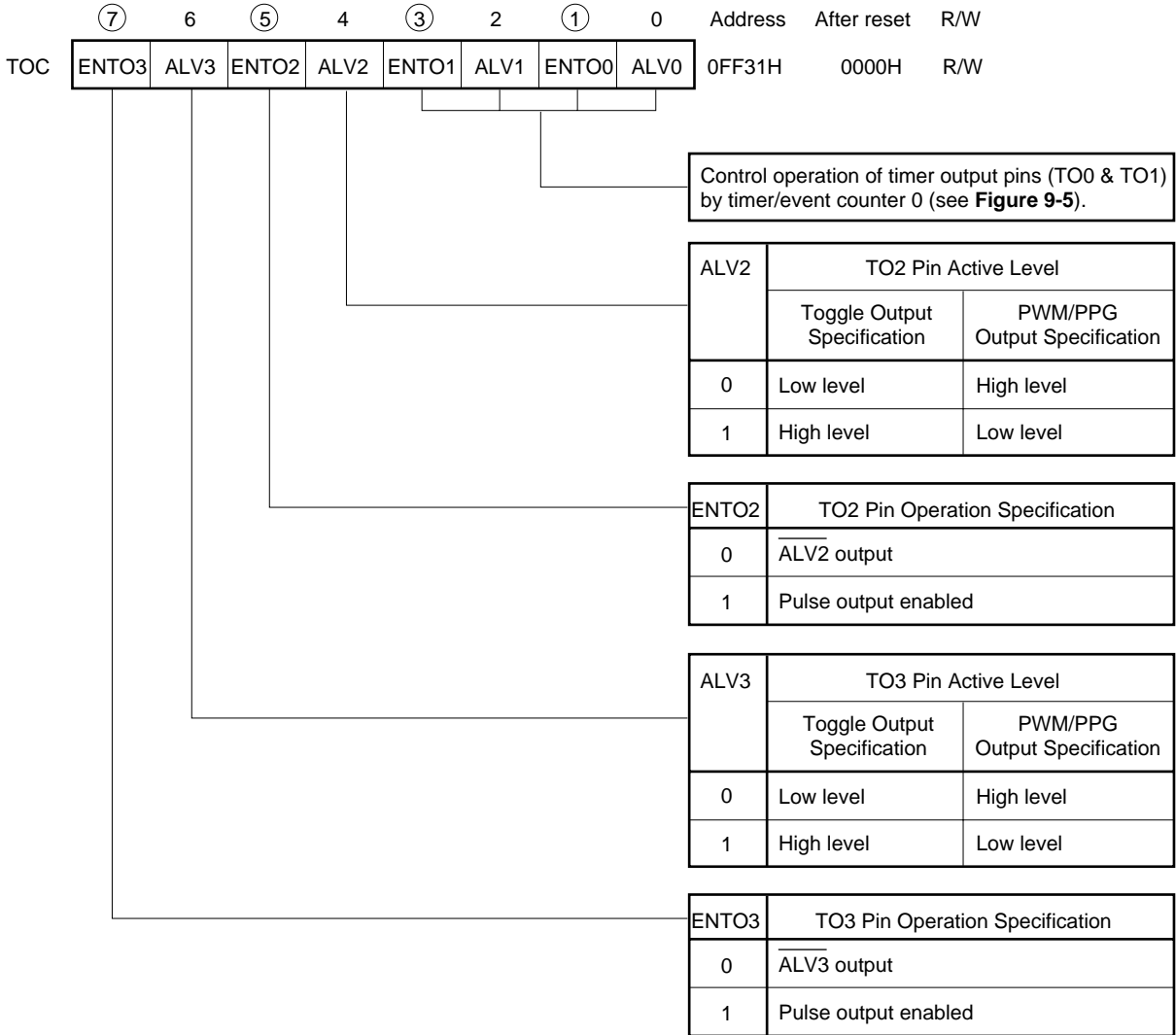
TOC is an 8-bit register that controls output enabling/disabling of the active level of timer output.

The operation of the timer output pins (TO2/TO3) by timer/event counter 2 is controlled by the high-order 4 bits (the low-order 4 bits control the operation of the timer output pins (TO0/TO1) by timer/event counter 0).

TOC can be read or written with an 8-bit manipulation instruction or bit manipulation instruction. The format of TOC is shown in Figure 11-5.

$\overline{\text{RESET}}$ input clears TOC to 00H.

Figure 11-5. Timer Output Control Register (TOC) Format



11.4 Timer Counter 2 (TM2) Operation

11.4.1 Basic operation

8-bit operation mode/16-bit operation mode control can be performed for timer/event counter 2 by means of bit 0 (BW2) of timer control register 2 (TMC2)^{Note}.

In the timer/event counter 2 count operation, a count-up is performed using the count clock specified by the high-order 4 bits of prescaler mode register 1 (PRM1).

Count operation enabling/disabling is controlled by bit 3 (CE2) of TMC2 (timer/event counter 2 operation control is performed by the high-order 4 bits of the timer control register 1 (TMC1). When the CE2 bit is set (to 1) by software, the contents of TM2 are cleared to 0H on the first count clock, and then the count-up operation is performed.

When the CE2 bit is cleared (to 0) by software, TM2 becomes 0H immediately, and capture operations and match signal generation are stopped.

If the CE2 bit is set (to 1) again when it is already set (to 1), the TM2 count operation is not affected (see **Figure 11-6 (b)**).

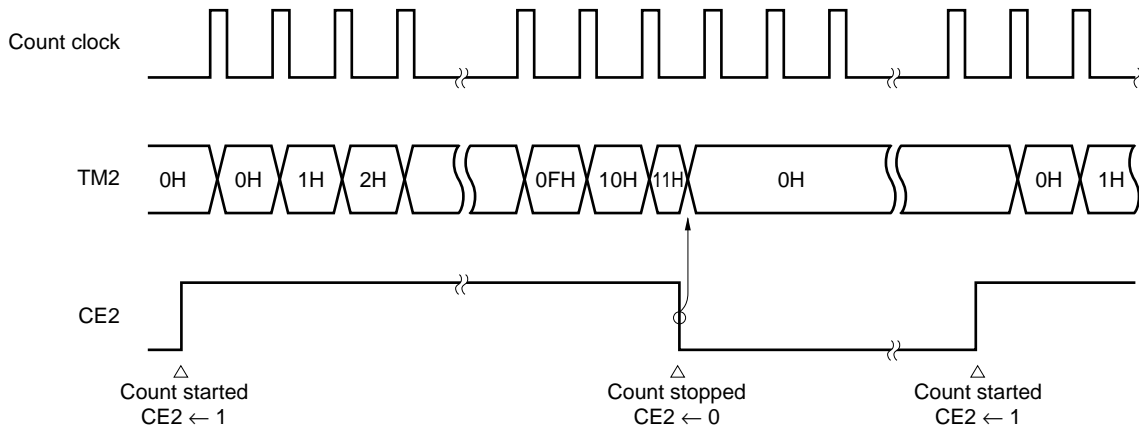
TM2/TM2W is cleared to 0H when the count clock is input while the value of TM2 is FFH in the 8-bit operation mode or while the value of TM2W is FFFFH in the 16-bit operation mode. At this time, OVF2 bit is set and the overflow signal is sent to the output control circuit. OVF2 bit is cleared by software only. The count operation is continued.

When $\overline{\text{RESET}}$ is input, TM2 is cleared to 0H, and the count operation is stopped.

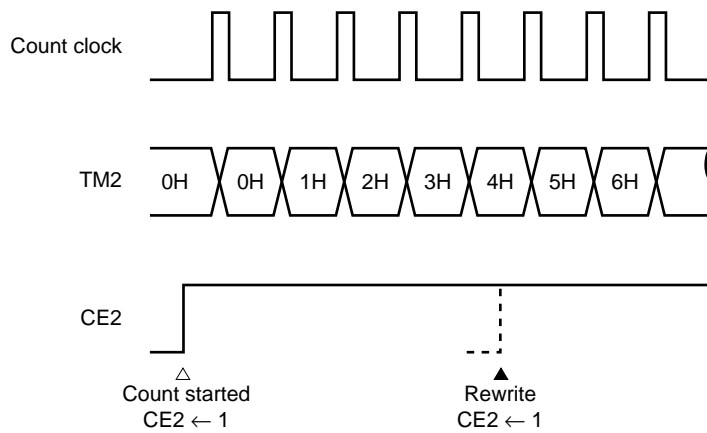
Note Unless otherwise specified, the functions of timer counter 2 in the 8-bit operation mode are described hereafter. In the 16-bit operation mode, TM2, CR20, CR21, and CR22 operate as TM2W, CR20W, CR21W, and CR22W, respectively.

Figure 11-6. Basic Operation in 8-Bit Operation Mode (BW2 = 0)

(a) Count started → count disabled → count started



(b) When "1" is written to the CE2 bit again after the count starts



(c) Operation when TM2 = FFH

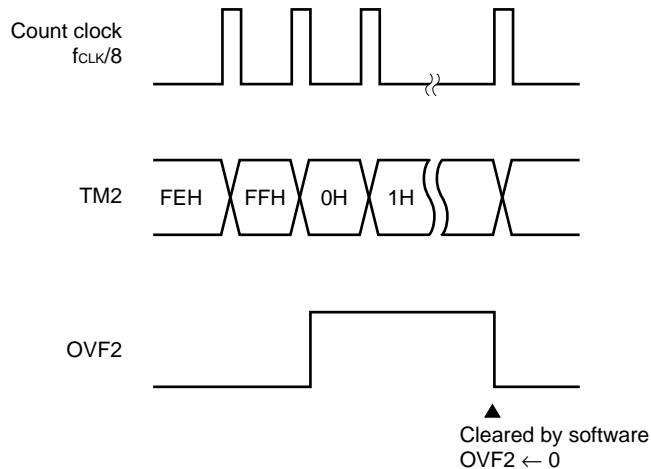
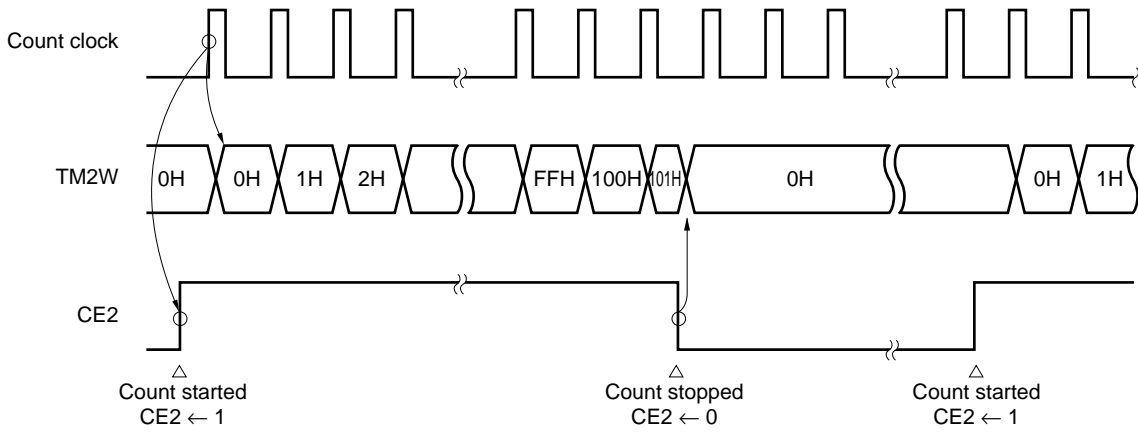
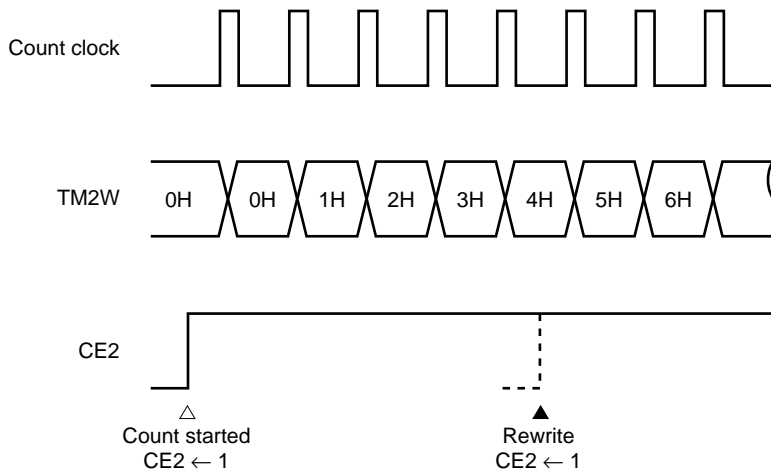


Figure 11-7. Basic Operation in 16-Bit Operation Mode (BW2 = 1)

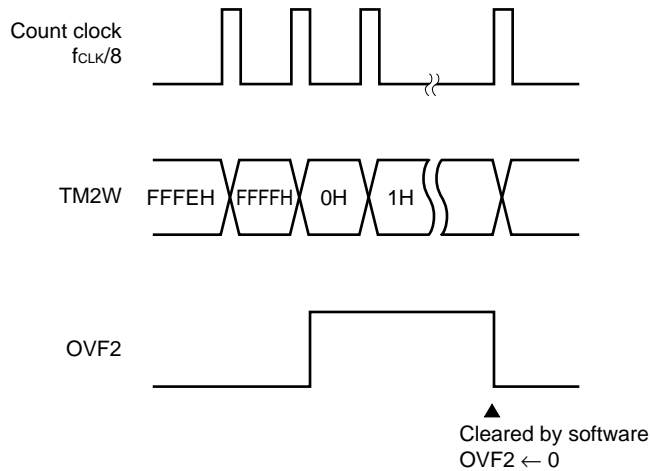
(a) Count started → count disabled → count started



(b) When "1" is written to the CE2 bit again after the count starts



(c) Operation when TM2W = FFFFH



11.4.2 Clear operation

(1) Clear operation after match with compare register and capture operation

Timer counter 2 (TM2) can be cleared automatically after a match with the compare register (CR2n: n = 0, 1) and a capture operation. When a clearance source arises, TM2 is cleared to 0H on the next count clock. Therefore, even if a clearance source arises, the value at the point at which the clearance source arose is retained until the next count clock arrives.

Figure 11-8. TM2 Clearance by Match with Compare Register (CR20/CR21)

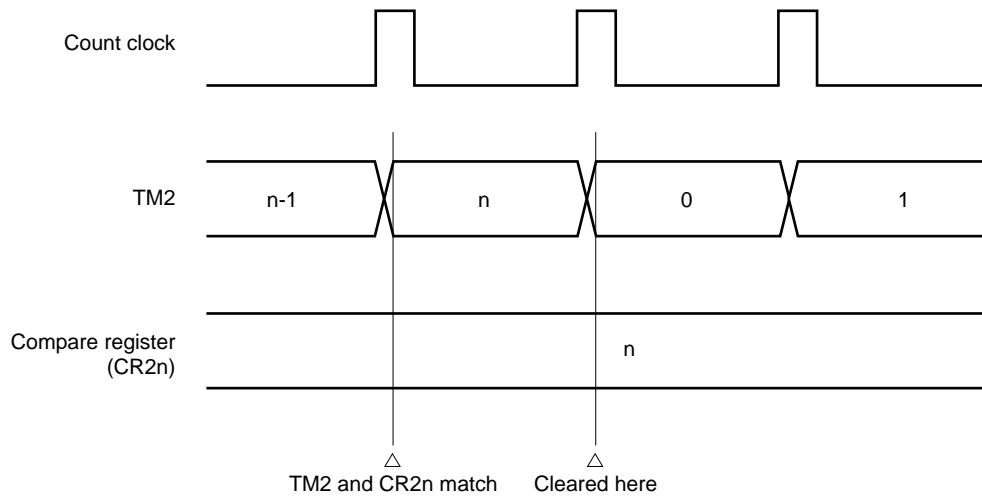
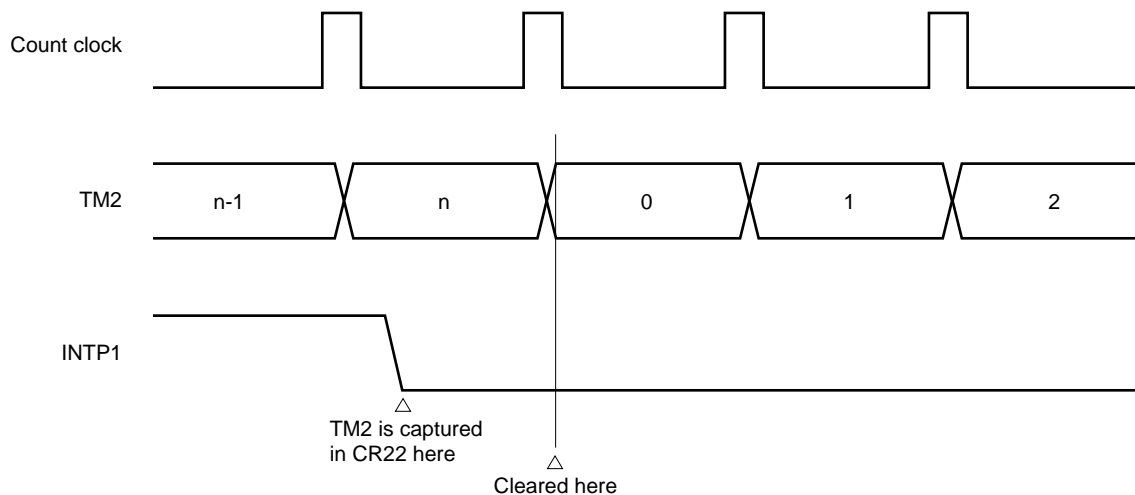


Figure 11-9. TM2 Clearance after Capture Operation

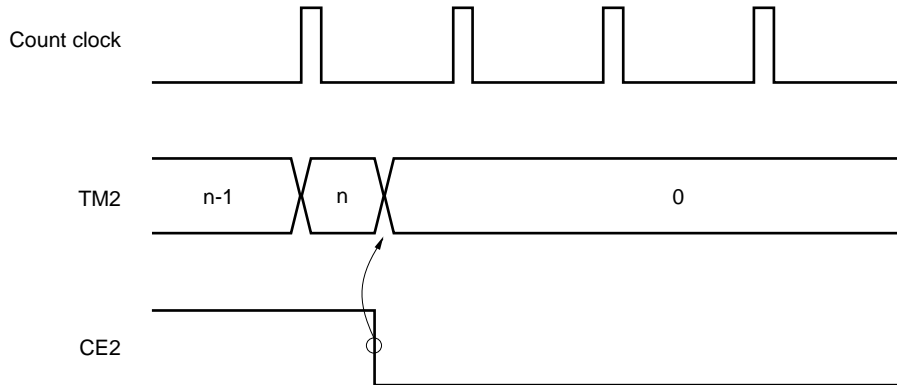


(2) Clear operation by CE2 bit of timer control register 1 (TMC1)

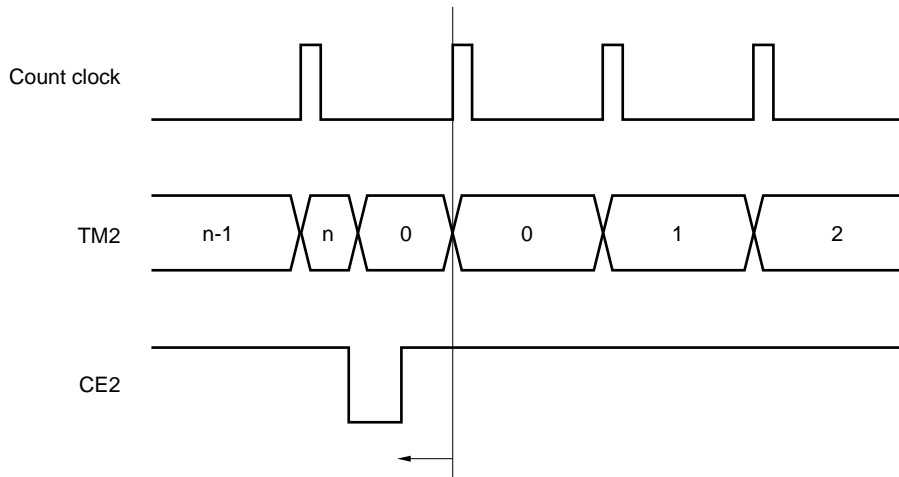
TM2 is also cleared when the CE2 bit of the TMC1 is cleared (to 0) by software. The clear operation is performed immediately after clearance (to 0) of the CE2 bit.

Figure 11-10. Clear Operation when CE2 Bit is Cleared (0)

(a) Basic operation

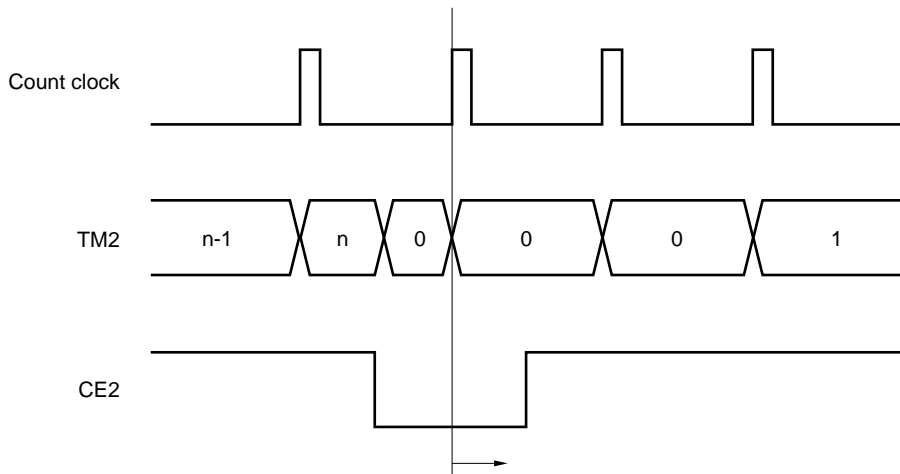


(b) Restart before count clock is input after clearance



If the CE2 bit is set (to 1) before this count clock, this count clock starts counting from 0.

(c) Restart after count clock is input after clearance



If the CE2 bit is set (to 1) from this count clock onward, the count starts from 0 on the count clock after the CE2 bit is set (to 1).

11.5 External Event Counter Function

Timer/event counter 2 can count clock pulses input from external interrupt request input pin (INTP2/CI).

No special selection method is needed for the external event counter operation mode. When the timer counter 2 (TM2) count clock is specified as external clock input by the setting of the high-order 4 bits of prescaler mode register 1 (PRM1), TM2 operates as an external event counter.

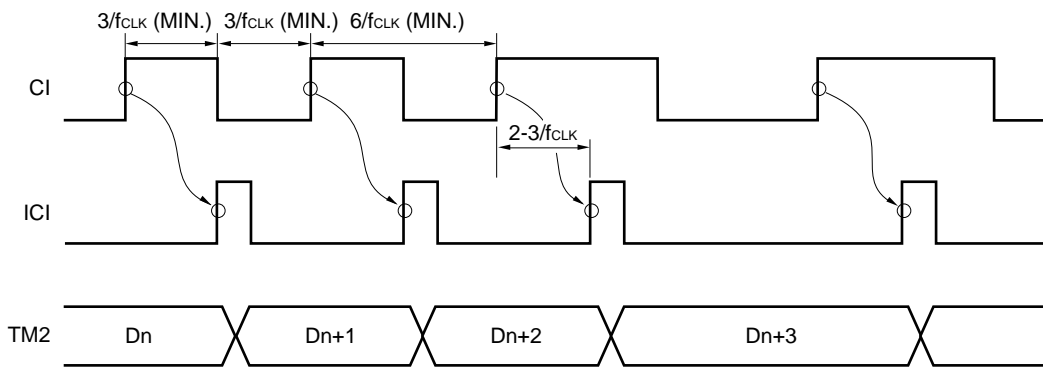
The maximum frequency of external clock pulses that can be counted by TM2 as the external event counter is 2.10 MHz ($f_{CLK} = 12.58 \text{ MHz}$) irrespective of whether only one edge or both edges are counted on INTP2/CI input.

The pulse width of INTP2/CI input must be at least 3 system clocks ($0.24 \mu\text{s}$; $f_{CLK} = 12.58 \text{ MHz}$) for both the high level and low level. If the pulse width is shorter than this, the pulse may not be counted.

The timer/event counter 2 external event count timing is shown in Figure 11-11.

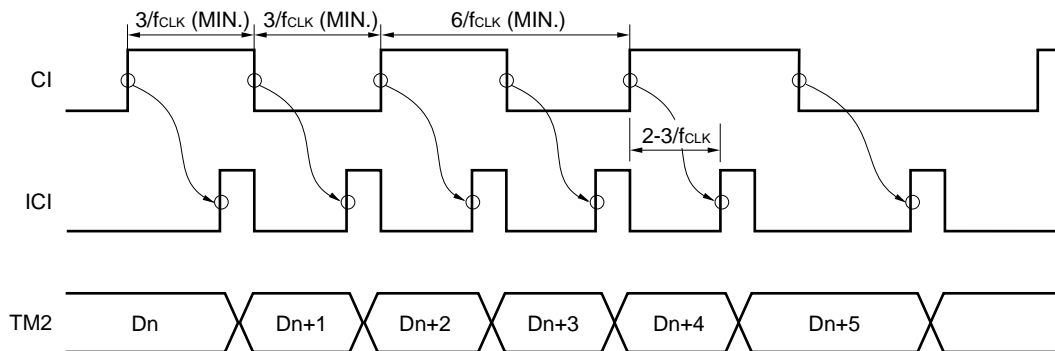
Figure 11-11. Timer/Event Counter 2 External Event Count Timing

(1) Counting one edge (maximum frequency = $f_{CLK}/6$)



Remark ICI: CI input signal after passing through edge detection circuit

(2) Counting both edges (maximum frequency = $f_{CLK}/6$)



Remark ICI: CI input signal after passing through edge detection circuit

The TM2 count operation is controlled by the CE2 bit of the timer control register 1 (TMC1) in the same way as with the basic operation.

When the CE2 bit is set (to 1) by software, the contents of TM2 are set to 0H and the count-up operation is started on the initial count clock.

When the CE2 bit is cleared (to 0) by software during a TM2 count operation, the contents of TM2 are set to 0H immediately and the stopped state is entered. The TM2 count operation is not affected if the CE2 bit is set (to 1) by software again when it is already set (to 1).

Caution When timer/event counter 2 is used as an external event counter, it is not possible to distinguish between the case where there is no valid edge input at all and the case where there is a single valid edge input using timer counter 2 (TM2) alone (see Figure 11-12), since the contents of TM2 are 0 in both cases. If it is necessary to make this distinction, the INTP2 interrupt request flag should be used (the INTP2 pin and CI pin have a dual function, and both functions can be used at the same time). An example is shown in Figure 11-13.

Figure 11-12. Example of the Case where the External Event Counter does Not Distinguish between One Valid Edge Input and No Valid Edge Input

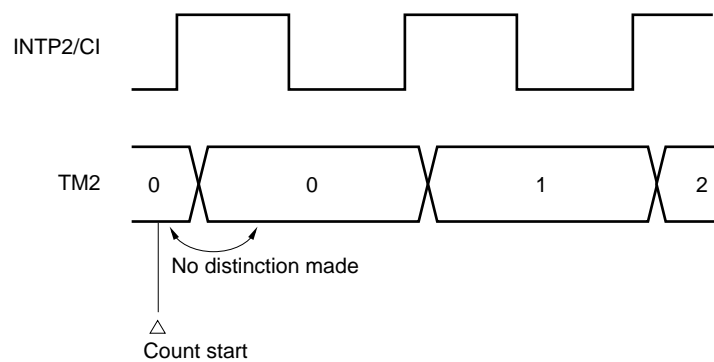
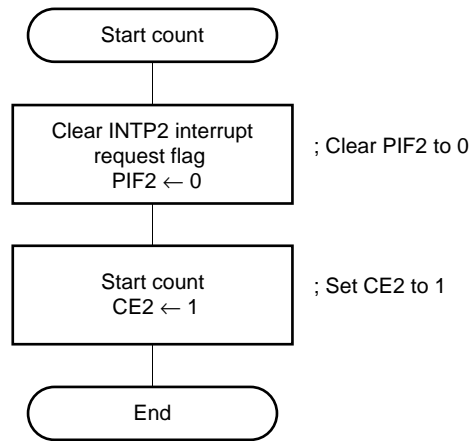
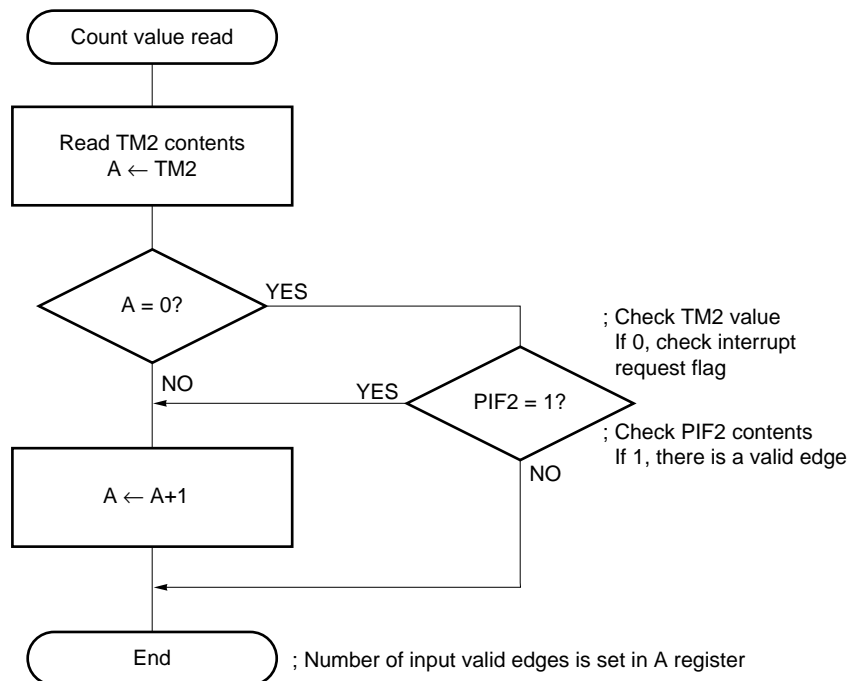


Figure 11-13. To Distinguish whether One or No Valid Edge has been Input with External Event Counter

(a) Processing when count is started



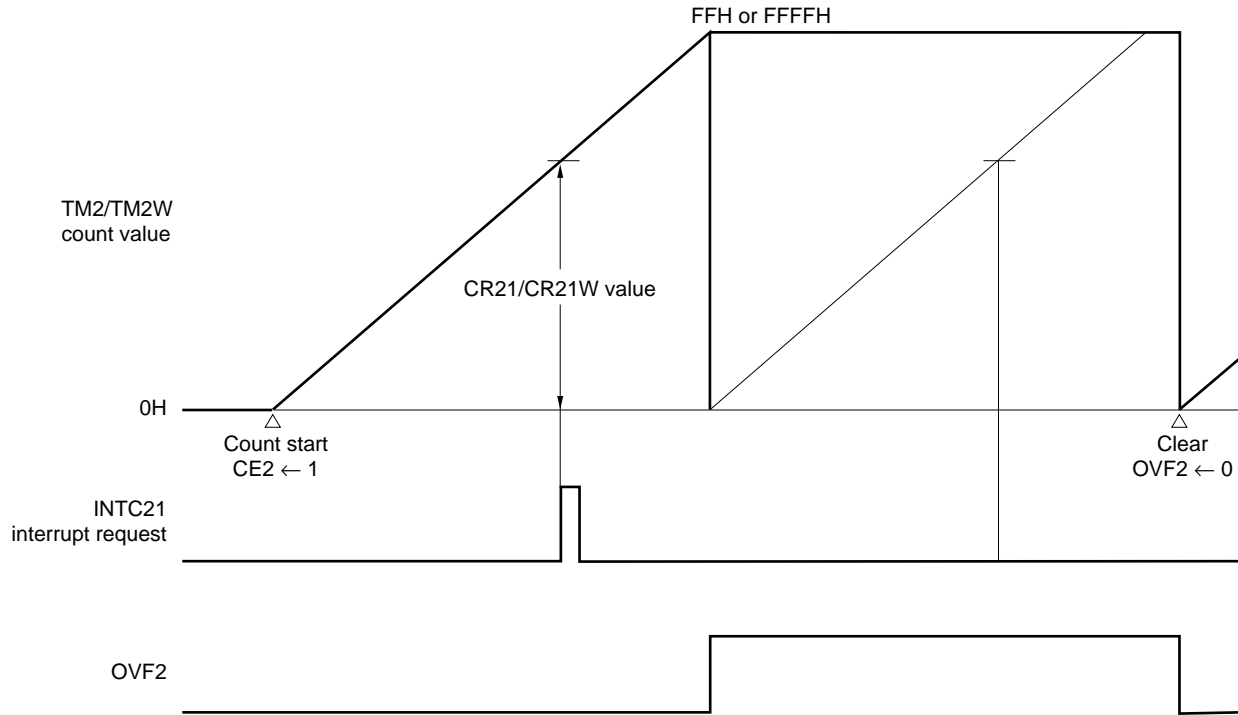
(b) Processing when count value is read



11.6 One-Shot Timer Function

Timer/event counter 2 has an operation mode in which it stops automatically when a full count value is reached (FFH/FFFFH) as a result of counting by timer counter 2 (TM2/TM2W).

Figure 11-14. One-Shot Timer Operation



As shown in Figure 11-14, the respective one-shot interrupt is generated when the value (0H to FFH/FFFFH) set beforehand in the CR20, CR21/CR21W, or CR21W and TM2/TM2W value match.

The one-shot timer operation mode is specified by setting (to 1) bit 5 (CMD2) of timer control register 1 (TMC1) by software.

The TM2/TM2W count operation is controlled by the CE2 bit of the TMC1 as with the basic operation.

When the CE2 bit is set (to 1) by software, the contents of TM2/TM2W are set to 0H and the count-up operation is started on the initial count clock.

When the contents of TM2/TM2W reach FFH/FFFFH (full count) as a result of the count-up operation, bit 6 (OVF2) of the TMC1 are set (to 1), and TM2/TM2W stops with the count at FFH/FFFFH.

The one-shot timer operation is started again from the count-stopped state by clearing (to 0) the OVF2 bit by software. When the OVF2 bit is cleared (to 0), the contents of TM2/TM2W become 0H and the count-up operation is restarted on the next count clock.

If the CE2 bit is cleared (to 0) by software during a TM2/TM2W count operation, the contents of TM2/TM2W are set to 0H immediately and the stopped state is entered. The TM2/TM2W count operation is not affected if the CE2 bit is set (to 1) by software again when it is already set (to 1).

11.7 Compare Register, Capture/Compare Register, and Capture Register Operation

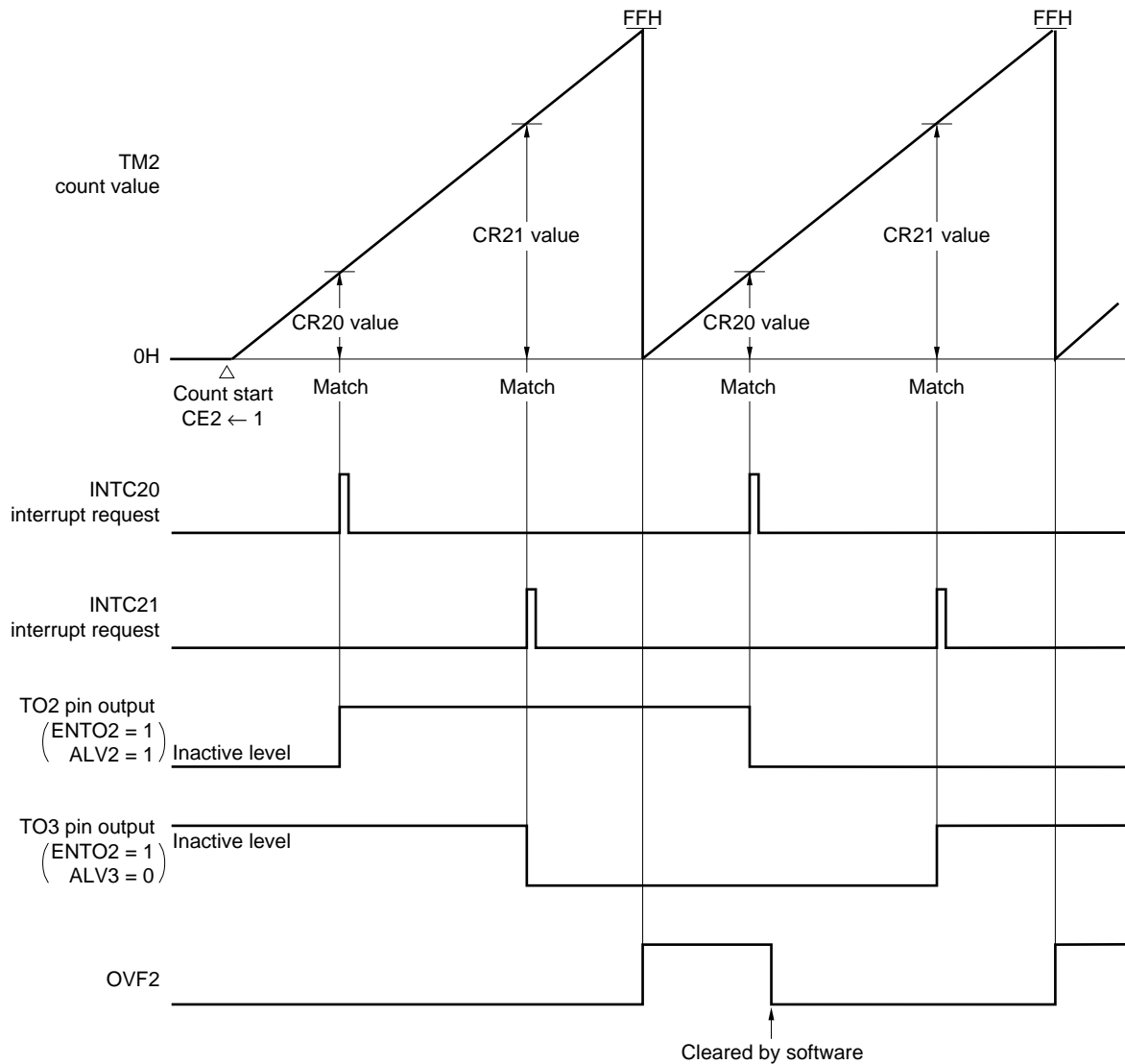
11.7.1 Compare operations

Timer/event counter 2 performs compare operations in which the value set in the compare register (CR20) and the capture/compare register (CR21) specified for compare operation is compared with the timer counter 2 (TM2) count value.

If the count value of TM2 matches the preset value of the CR20, and CR21 when a compare operation is performed, as the result of the count operation, a match signal is sent to the output control circuit, and an interrupt request signal (INTC20/INTC21) is generated at the same time.

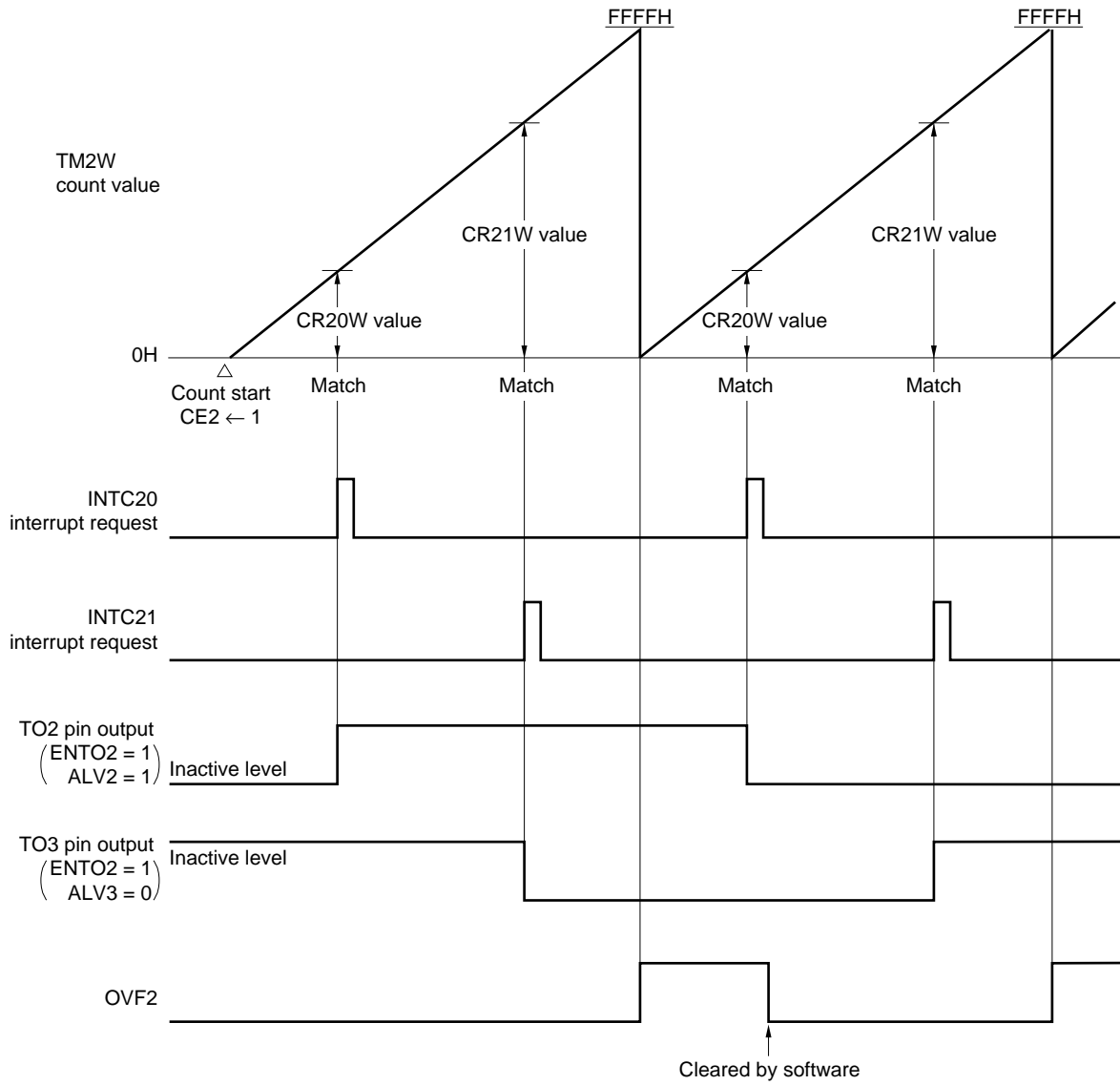
After a match with the CR20 or CR21 value, the TM2 contents can be cleared, and the timer functions as an interval timer that repeatedly counts up to the value set in the CR20 or CR21.

Figure 11-15. Compare Operation in 8-Bit Operation Mode



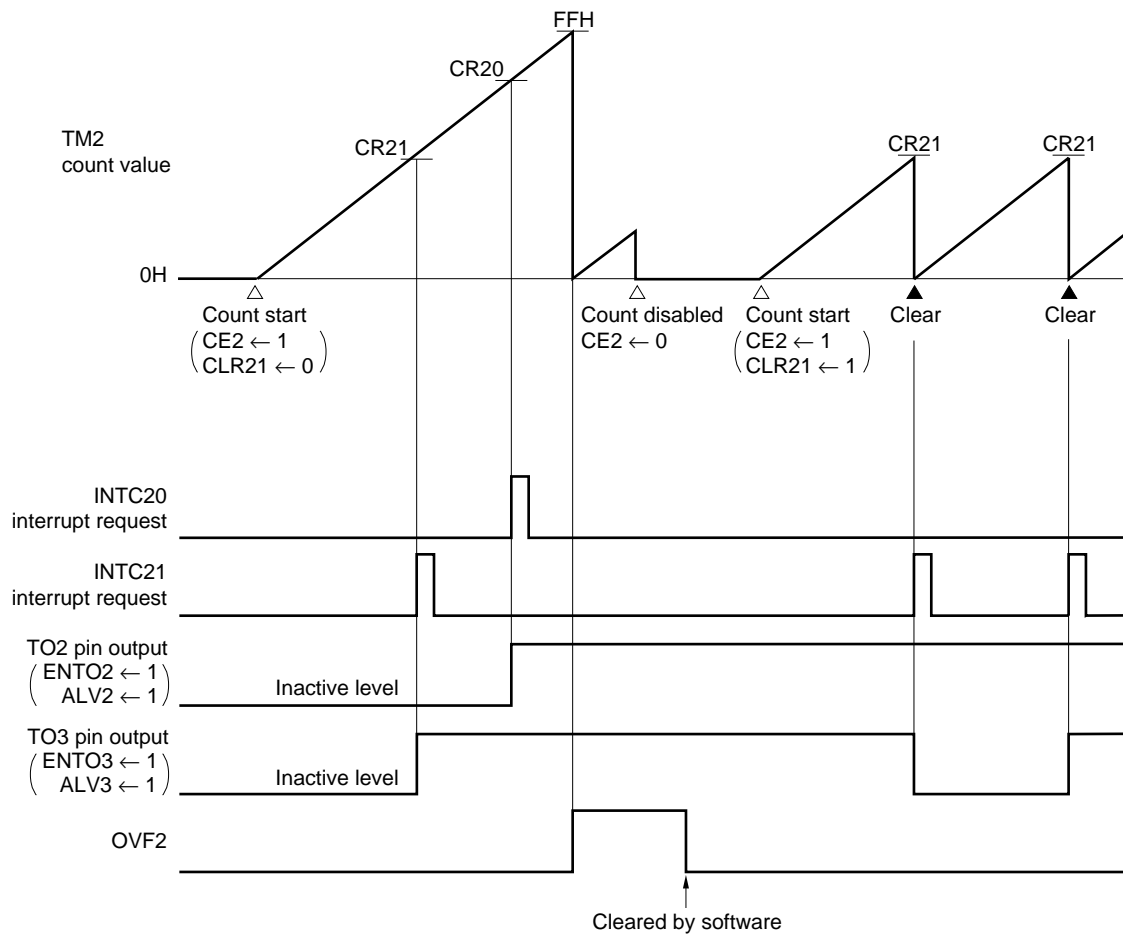
Remark CLR21 = 0, CLR22 = 0, BW2 = 0

Figure 11-16. Compare Operation in 16-Bit Operation Mode



Remark CLR21 = 0, CLR22 = 0, BW2 = 1

Figure 11-17. TM2 Clearance after Match Detection



Remark CLR22 = 0

11.7.2 Capture operations

Timer/event counter 2 performs capture operations in which the timer counter 2 (TM2) count value is fetched into the capture register in synchronization with an external trigger, and retained there.

A valid edge detected from the input of the external interrupt request input pins (INTP1/INTP2) is used as the external trigger (capture trigger). The count value of TM2 in the process of being counted in synchronization with the capture trigger is fetched into the capture register (CR22) in synchronization with INTP1, or into the capture/compare register (CR21) when a capture operation is specified in synchronization with INTP2, and is retained there.

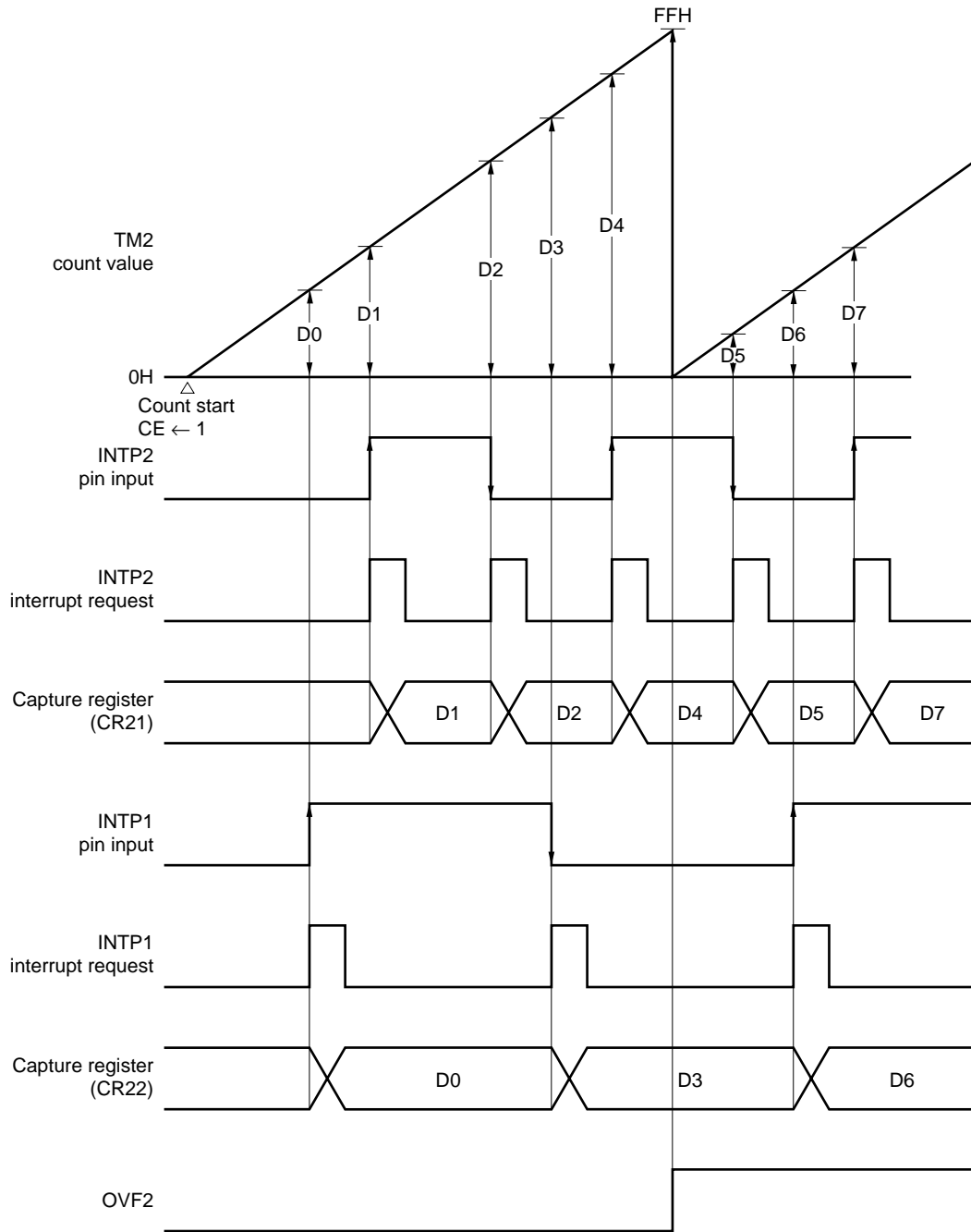
The contents of CR21 and CR22 are retained until the next capture triggers corresponding to CR21 and CR22 are generated.

The capture trigger valid edge is set by means of external interrupt mode register 0 (INTM0). If both rising and falling edges are set as capture triggers, the width of pulses input from off-chip can be measured, and if a capture trigger is generated by a single edge, the input pulse cycle can be measured.

See **Figure 22-1** for details of the INTM0 format.

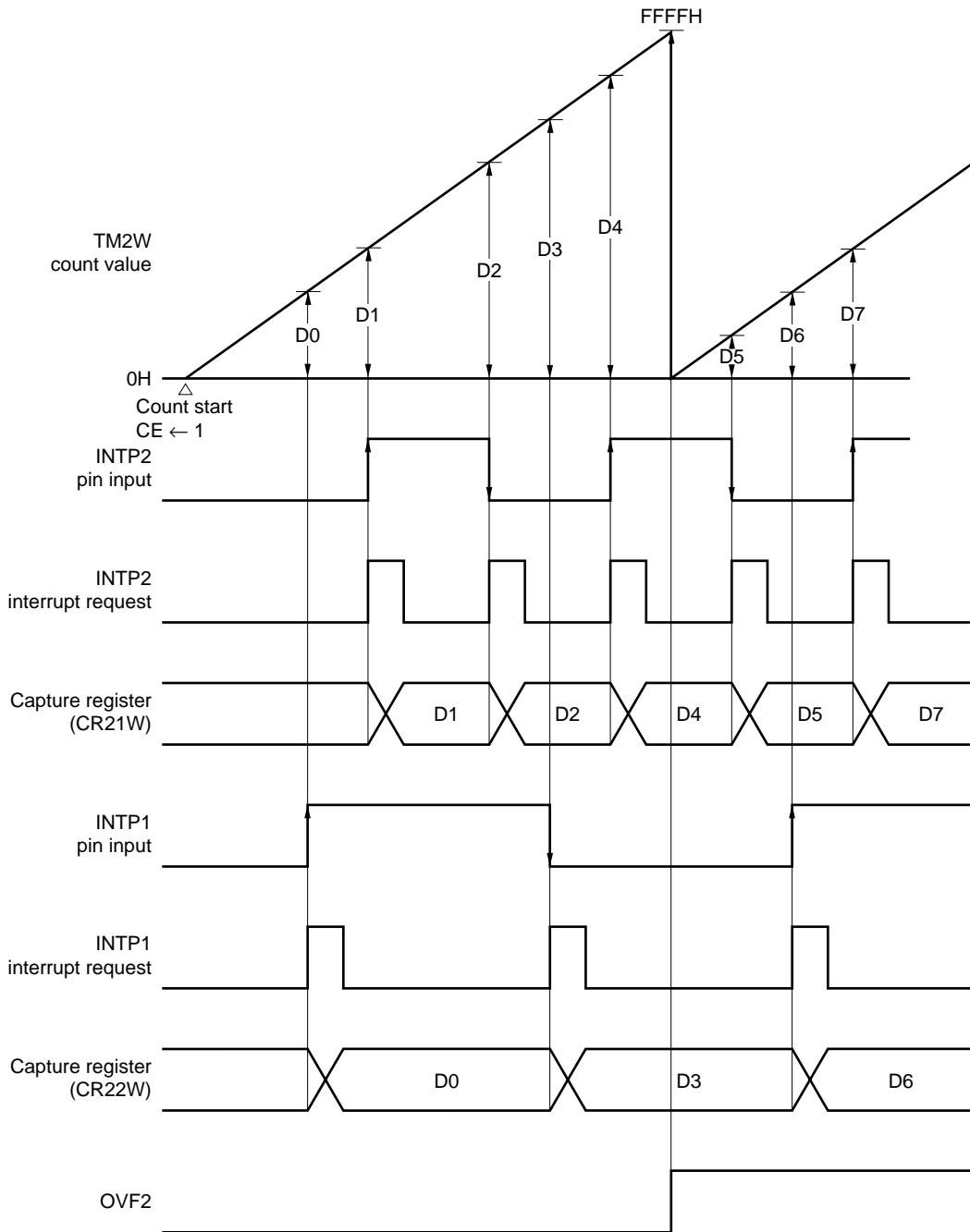
When CR21 is used as a capture register, TM2 can be cleared as soon as the contents of TM2 have been captured by capture trigger to CR21 or CR22.

Figure 11-18. Capture Operation in 8-Bit Operation Mode



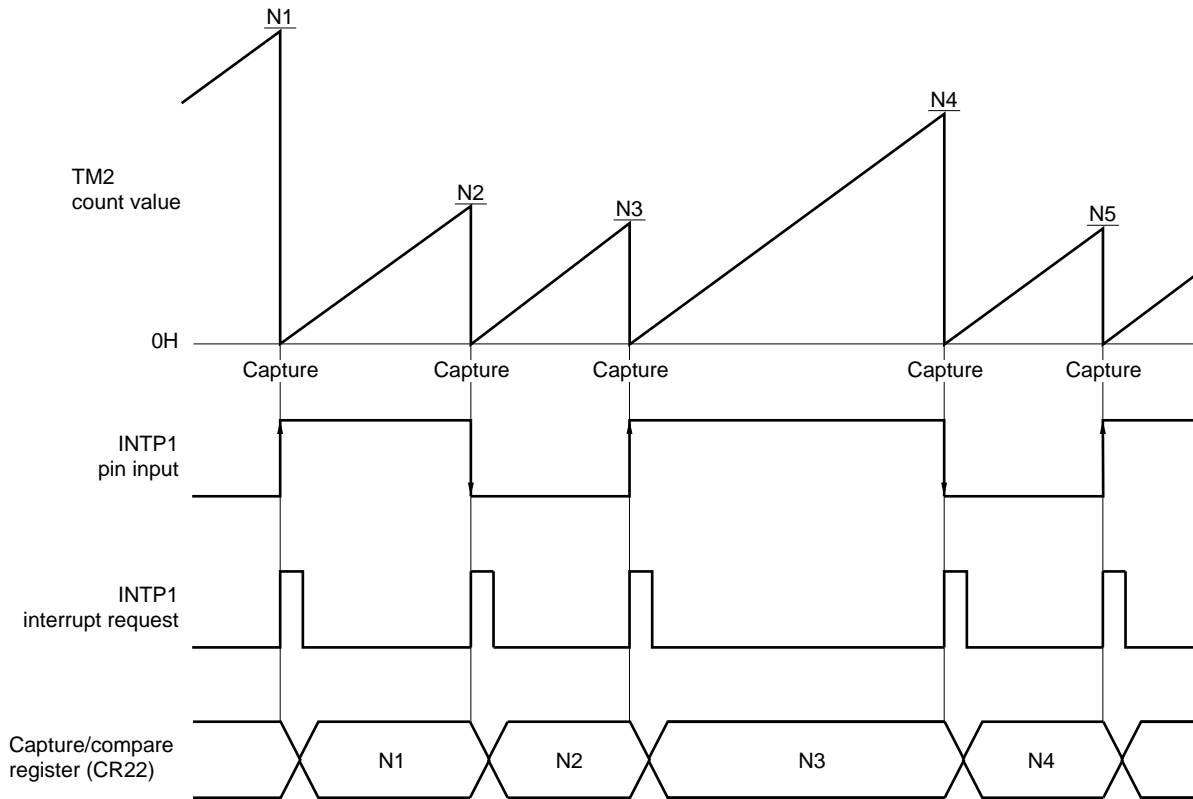
Remark Dn: TM2 count value (n = 0, 1, 2, ...)
 CM21 = 1, CLR21 = 0, CLR22 = 0, BW2 = 0

Figure 11-19. Capture Operation in 16-Bit Operation Mode



Remark Dn: TM2W count value (n = 0, 1, 2, ...)
 CM21 = 1, CLR21 = 0, CLR22 = 0, BW2 = 0

Figure 11-20. TM2 Clearance after Capture Operation



Remark CLR21 = 0, CLR22 = 1

11.8 Basic Operation of Output Control Circuit

The output control circuit controls the timer output pins (TO2/TO3) level by means of match signals from the compare register (CR22). The operation of the output control circuit is determined by the timer output control register (TOC) and capture/compare control register 2 (CRC2) (see **Table 11-5**). When TO2/TO3 signal is output to a pin, the relevant pin must be in control mode in the port 3 mode register (PMC3).

Table 11-5. Timer Output (TO2/TO3) Operations

TOC				CRC2				TMC1	TO3	TO2
ENTO3	ALV3	ENTO2	ALV2	MOD1	MOD0	CLR22	CLR21	CMD2		
0	0/1	0	0/1	×	×	×	×	×	High/low level fixed	High/low level fixed
0	0/1	1	0/1	0	0	×	×	×	High/low level fixed	Toggle output (active-low/high)
1	0/1	0	0/1	0	0	×	×	×	Toggle output (active-low/high)	High/low level fixed
1	0/1	1	0/1	0	0	×	×	×	Toggle output (active-low/high)	Toggle output (active-low/high)
0	0/1	1	0/1	0	1	0	0	0	High/low level fixed	PWM output (active-high/low)
1	0/1	0	0/1	0	1	0	0	0	Toggle output (active-low/high)	High/low level fixed
1	0/1	1	0/1	0	1	0	0	0	Toggle output (active-low/high)	PWM output (active-high/low)
0	0/1	1	0/1	1	0	0	0	0	High/low level fixed	PWM output (active-high/low)
1	0/1	0	0/1	1	0	0	0	0	PWM output (active-high/low)	High/low level fixed
1	0/1	1	0/1	1	0	0	0	0	PWM output (active-high/low)	PWM output (active-high/low)
0	0/1	1	0/1	1	1	0	1	0	High/low level fixed	PPG output (active-high/low)
1	0/1	0	0/1	1	1	0	1	0	Toggle output (active-low/high)	High/low level fixed
1	0/1	1	0/1	1	1	0	1	0	Toggle output (active-low/high)	PPG output (active-high/low)

Note CLR22 is normally set to 0 in this case.

- Remarks**
- 0/1 in the ALV_n (n = 2, 3) columns correspond to the items on the left and right of the slash (“/”) in the TOn (n = 2, 3) columns respectively.
 - “×” indicates 0 or 1.
 - Combinations not shown in this table are prohibited to use in that combination.

11.8.1 Basic operation

Setting (to 1) the ENTOn (n = 2, 3) bit of the timer output control register (TOC) enables timer output (TO_n: n = 2, 3) to be varied at a timing in accordance with the settings of MOD0, MOD1, and CLR21 bits of capture/compare control register 2 (CRC2).

Clearing (to 0) ENTOn sets the TO_n to a fixed level. The fixed level is determined by the ALVn (n = 2, 3) bit of the TOC. The level is high when ALVn is 0, and low when 1.

11.8.2 Toggle output

Toggle output is an operation mode in which the output level is inverted each time the compare register (CR20/CR21) value coincides with the timer counter 2 (TM2) value. The output level of timer output (TO2) is inverted by a match between CR20 and TM2, and the output level of timer output (TO3) is inverted by a match between CR21 and TM2.

When timer/event counter 2 is stopped by clearing (to 0) the CE2 bit of the timer control register 1 (TMC1), the inactive level (\overline{ALVn} : n = 0, 1) is output.

Figure 11-21. Toggle Output Operation

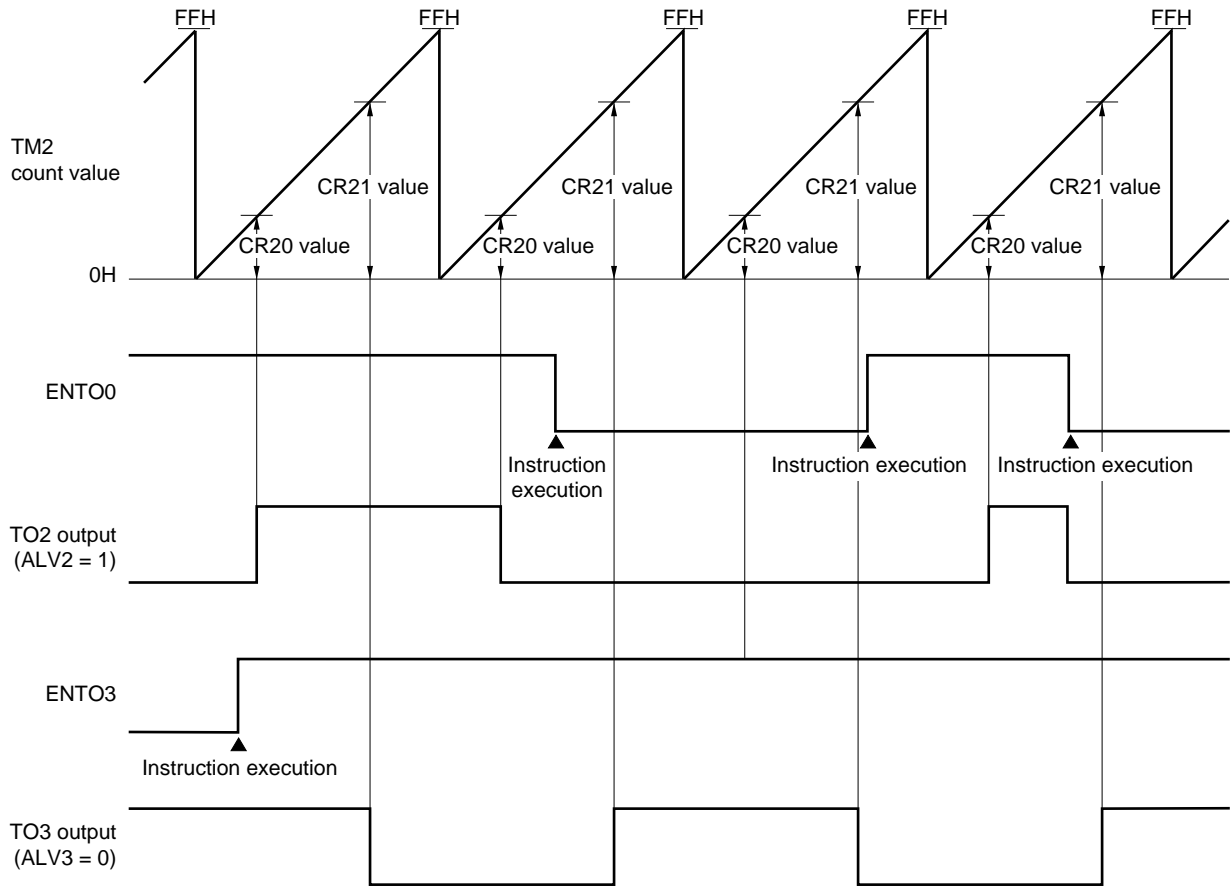


Table 11-6. TO2/TO3 Toggle Output ($f_{xx} = 12.58 \text{ MHz}$)

Count Clock	Minimum Pulse Width	Maximum Pulse Width
$f_{xx}/4$ (0.32 μs)	$4/f_{xx}$ (0.32 μs)	$2^{16} \times 4/f_{xx}$ (20.8 ms)
$f_{xx}/8$ (0.64 μs)	$8/f_{xx}$ (0.64 μs)	$2^{16} \times 8/f_{xx}$ (41.7 ms)
$f_{xx}/16$ (1.27 μs)	$16/f_{xx}$ (1.27 μs)	$2^{16} \times 16/f_{xx}$ (83.4 ms)
$f_{xx}/32$ (2.54 μs)	$32/f_{xx}$ (2.54 μs)	$2^{16} \times 32/f_{xx}$ (167 ms)
$f_{xx}/64$ (5.09 μs)	$64/f_{xx}$ (5.09 μs)	$2^{16} \times 64/f_{xx}$ (333 ms)
$f_{xx}/128$ (10.17 μs)	$128/f_{xx}$ (10.17 μs)	$2^{16} \times 128/f_{xx}$ (667 ms)
$f_{xx}/256$ (20.35 μs)	$256/f_{xx}$ (20.35 μs)	$2^{16} \times 256/f_{xx}$ (1.33 s)
$f_{xx}/512$ (40.70 μs)	$512/f_{xx}$ (40.70 μs)	$2^{16} \times 512/f_{xx}$ (2.67 s)
$f_{xx}/1,024$ (81.40 μs)	$1,024/f_{xx}$ (81.40 μs)	$2^{16} \times 1,024/f_{xx}$ (5.33 s)

11.8.3 PWM output

(1) Basic operation of PWM output

In this mode, a PWM signal with the period in which timer counter 2 (TM2) reaches a full count used as one cycle is output. The timer output (TO2) pulse width is determined by the value of compare register (CR20), and the timer output (TO3) pulse width is determined by the value of compare register (CR21). When this function is used, the CLR21 bit and CLR22 bit of capture/compare control register 2 (CRC2) and the CMD2 bit of timer control register 1 (TMC1) must be set to 0.

The pulse cycle and pulse width are as shown below.

(a) BW2 = 0

- PWM cycle = $256 \times x/f_{xx}$
- PWM pulse width = $CR2n \times x/f_{xx}$ ^{Note}; x = 4, 8, 16, 32, 64, 128, 256, 512, 1,024

Note 0 cannot be set in the CR2n.

- Duty = $\frac{\text{PWM pulse width}}{\text{PWM}} = \frac{CR2n}{256}$

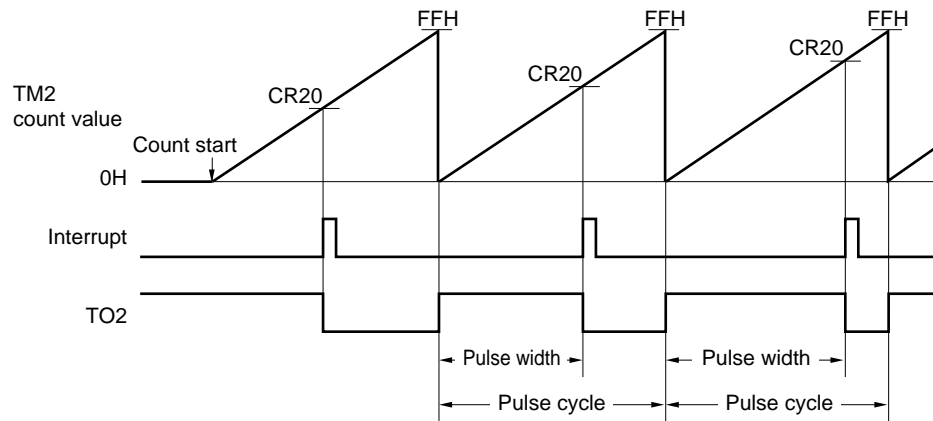
(b) BW2 = 1

- PWM cycle = $65,536 \times x/f_{xx}$
- PWM pulse width = $CR2n \times x/f_{xx}$ ^{Note}; x = 4, 8, 16, 32, 64, 128, 256, 512, 1,024

Note 0 cannot be set in the CR2n.

- Duty = $\frac{\text{PWM pulse width}}{\text{PWM cycle}} = \frac{CR2n}{65,536}$

Figure 11-22. PWM Pulse Output (BW2 = 0)

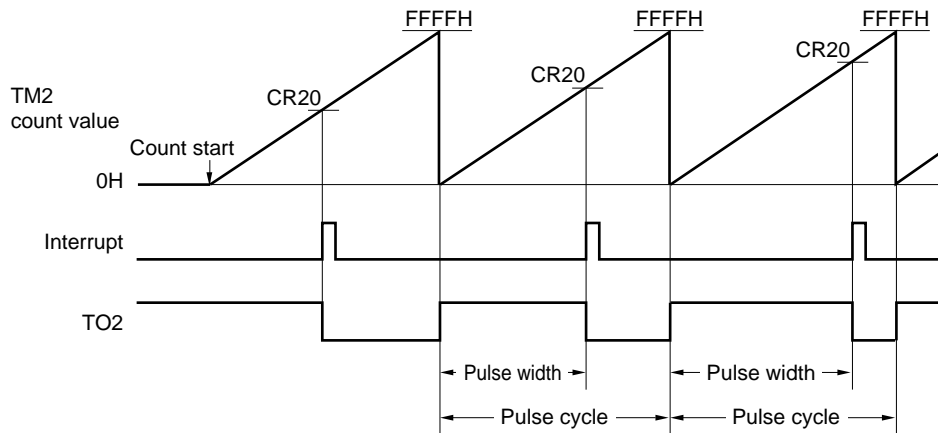


Remark ALV2 = 0

Table 11-7. TO2/TO3 PWM Cycle ($f_{xx} = 12.58 \text{ MHz}$, BW2 = 0)

Count Clock	Minimum Pulse Width [μs]	PWM Cycle [ms]	PWM Frequency [Hz]
$f_{xx}/4$	0.32	0.08	12,286
$f_{xx}/8$	0.64	0.16	6,143
$f_{xx}/16$	1.27	0.33	3,071
$f_{xx}/32$	2.54	0.65	1,536
$f_{xx}/64$	5.09	1.30	768
$f_{xx}/128$	10.17	2.60	384
$f_{xx}/256$	20.35	5.21	192
$f_{xx}/512$	40.70	10.42	96
$f_{xx}/1,024$	81.40	20.84	48

Figure 11-23. PWM Pulse Output (BW2 = 1)



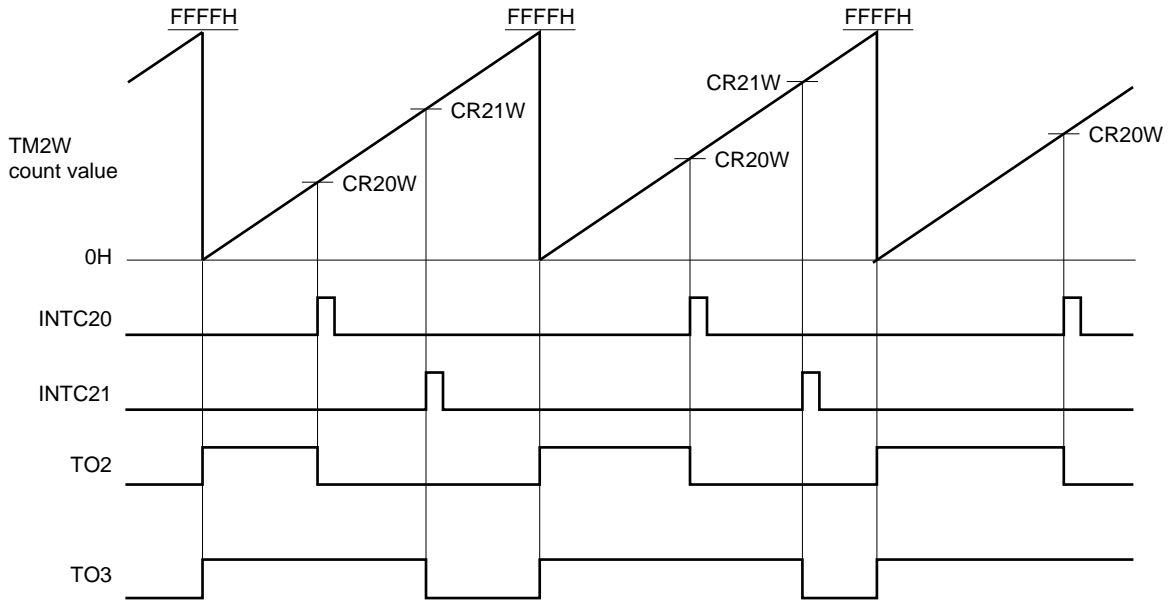
Remark ALV2 = 0

Table 11-8. TO2/TO3 PWM Cycle ($f_{xx} = 12.58 \text{ MHz}$, BW2 = 1)

Count Clock	Minimum Pulse Width [μs]	PWM Cycle [s]	PWM Frequency [Hz]
$f_{xx}/4$	0.32	0.02	47.6
$f_{xx}/8$	0.64	0.04	23.8
$f_{xx}/16$	1.27	0.08	12.0
$f_{xx}/32$	2.54	0.17	6.0
$f_{xx}/64$	5.09	0.33	3.0
$f_{xx}/128$	10.17	0.67	1.5
$f_{xx}/256$	20.35	1.33	0.7
$f_{xx}/512$	40.70	2.67	0.4
$f_{xx}/1,024$	81.40	5.33	0.2

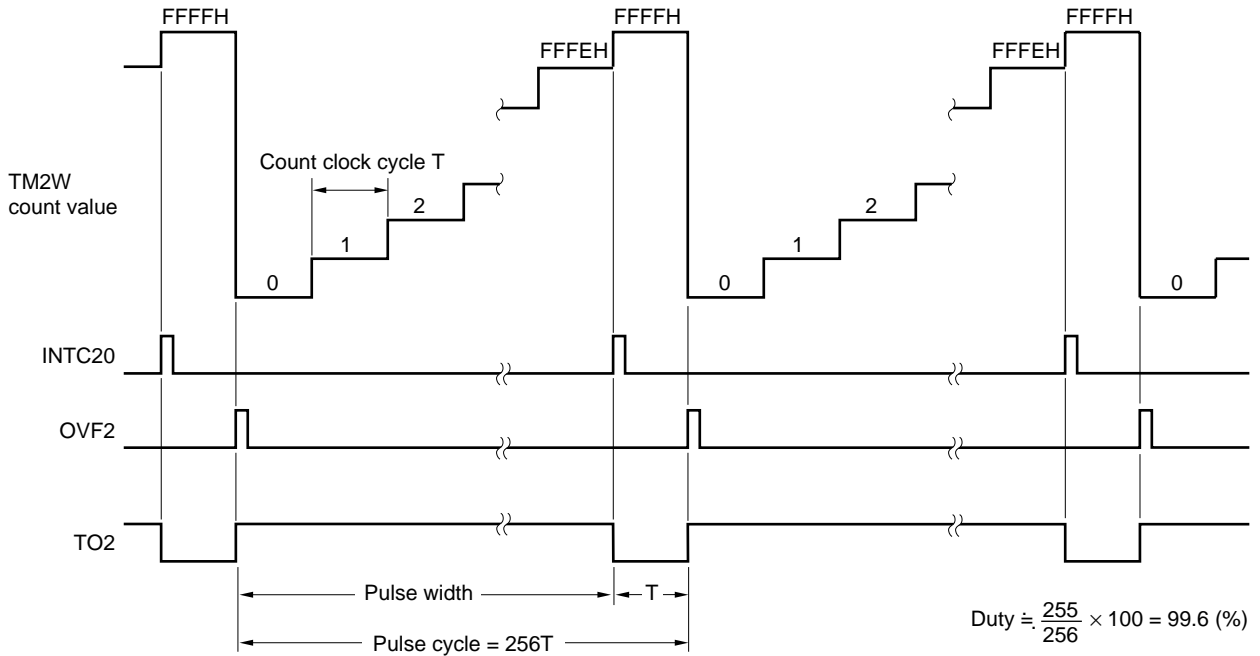
Figure 11-24 shows an example of 2-channel PWM output, and Figure 11-25 shows the case where FFFFH is set in the CR20W.

Figure 11-24. Example of PWM Output Using TM2W



Remark ALV2 = 0, ALV3 = 0

Figure 11-25. Example of PWM Output when CR20W = FFFFH

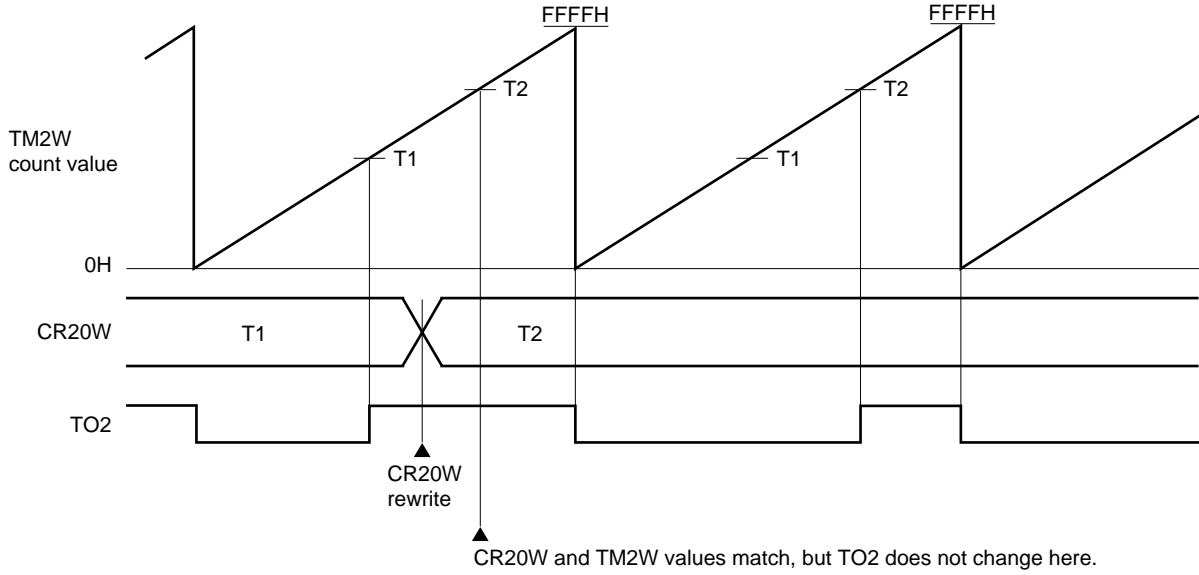


- Remarks
1. ALV2 = 0
 2. $T = x/f_{xx}$ ($x = 4, 8, 16, 32, 64, 128, 256, 512, 1,024$)

(2) Rewriting compare registers (CR20, CR21)

The output level of the timer output (TOn + 2: n + 2 = 2, 3) is not inverted even if the CR2n (n = 0, 1) value matches the timer counter 2 (TM2) value more than once during one PWM output cycle.

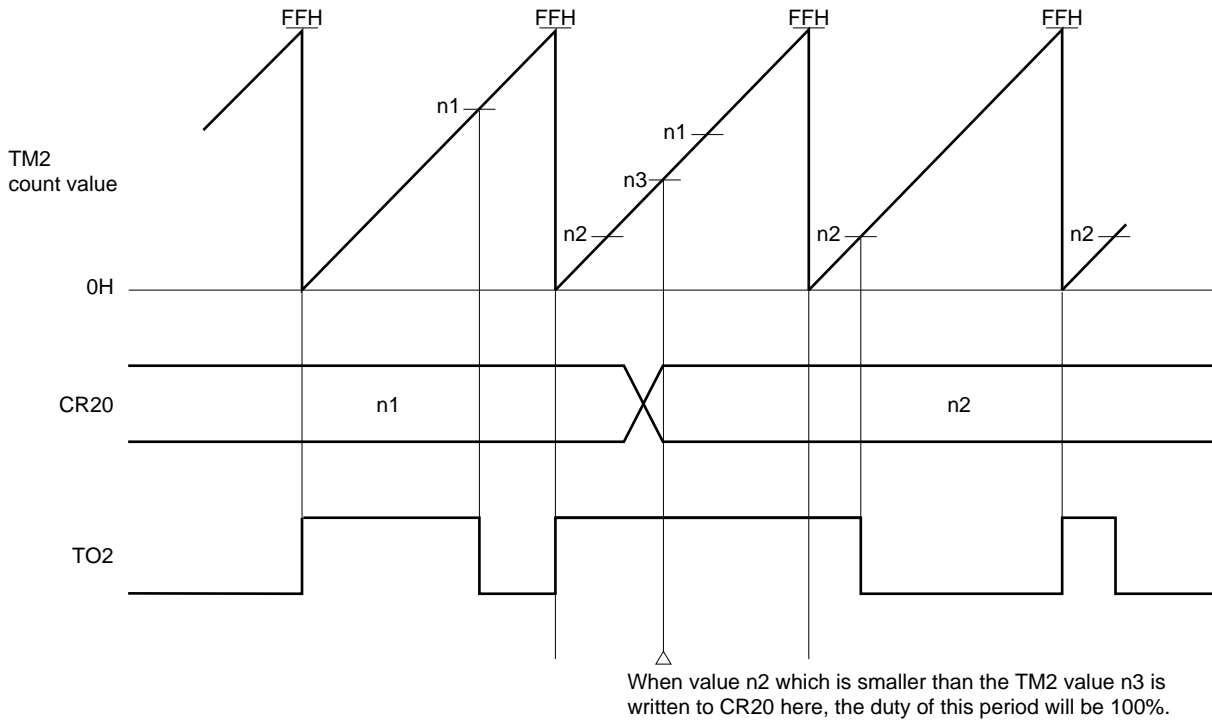
Figure 11-26. Example of Compare Register (CR20W) Rewrite



Remark ALV2 = 1

If a value smaller than that of the TM2 is set as the CR2n value, a 100% duty PWM signal will be output. CR2n rewriting should be performed by the interrupt due to a match between TM2 and the CR2n on which the rewrite is performed.

Figure 11-27. Example of 100% Duty with PWM Output



Remark ALV2 = 0

11.8.4 PPG output

(1) Basic operation of PPG output

This function outputs a square-wave with the time determined by compare register CR21 value as one cycle, and the time determined by compare register CR20 value as the pulse width. The PWM output PWM cycle is made variable. This signal can only be output from timer output (TO2).

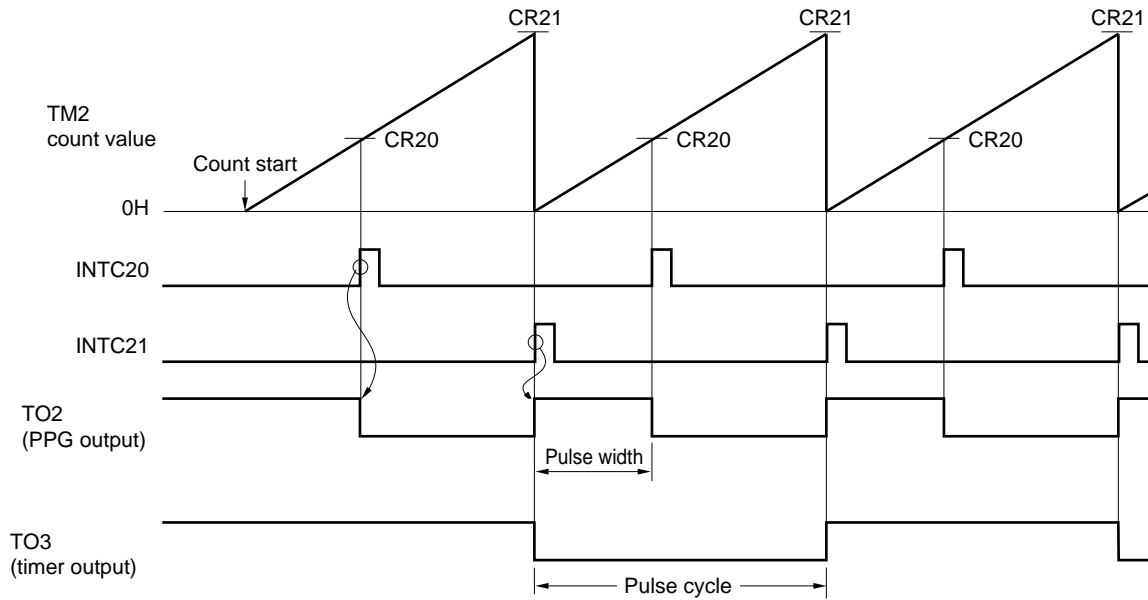
When this function is used, it is necessary to set the CLR21 bit of capture/compare control register 2 (CRC2) to 1 and the CLR22 bit to 0, and to set the CMD2 bit of timer control register 1 (TMC1) to 0.

The pulse cycle and pulse width are as shown below.

- PPG cycle = $(CR21 + 1) \times x/f_{xx}$; $x = 4, 8, 16, 32, 64, 128, 256, 512, 1,024$
- PPG pulse width = $CR20 \times x/f_{xx}$ where $1 \leq CR20 \leq CR21$
- Duty = $\frac{\text{PPG pluse width}}{\text{PPG cycle}} = \frac{CR20}{CR21 + 1}$

Figure 11-29 shows an example of PPG output using timer counter 2 (TM2), Figure 11-30 shows an example of the case where $CR20 = CR21$.

Figure 11-29. Example of PPG Output Using TM2

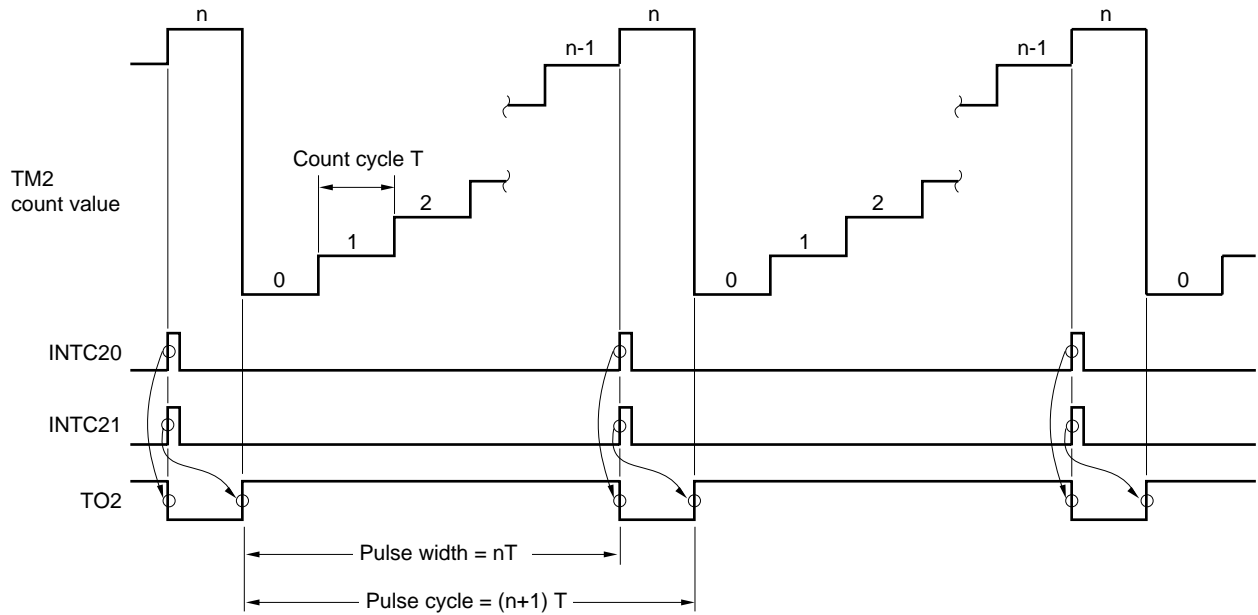


Remark ALV2 = 0, ALV3 = 0

Table 11-9. TO2 PPG Output ($f_{xx} = 12.58 \text{ MHz}$)

Count Clock	Minimum Pulse Width [μs]	PPG Cycle [s]	PPG Frequency [Hz]
$f_{xx}/4$	0.32	$0.64 \mu\text{s}$ to 20.84 ms	1,572 kHz to 48.0 Hz
$f_{xx}/8$	0.64	$1.27 \mu\text{s}$ to 41.68 ms	786 kHz to 24.0 Hz
$f_{xx}/16$	1.27	$2.54 \mu\text{s}$ to 83.35 ms	393 kHz to 12.0 Hz
$f_{xx}/32$	2.54	$5.09 \mu\text{s}$ to 166.71 ms	197 kHz to 6.0 Hz
$f_{xx}/64$	5.09	$10.17 \mu\text{s}$ to 333.41 ms	98.3 kHz to 3.0 Hz
$f_{xx}/128$	10.17	$20.35 \mu\text{s}$ to 666.82 ms	49.1 kHz to 1.5 Hz
$f_{xx}/256$	20.35	$40.70 \mu\text{s}$ to 1.33 s	24.6 kHz to 0.7 Hz
$f_{xx}/512$	40.70	$81.40 \mu\text{s}$ to 2.67 s	12.3 kHz to 0.4 Hz
$f_{xx}/1,024$	81.40	$162.80 \mu\text{s}$ to 5.38 s	6.1 kHz to 0.2 Hz

Figure 11-30. Example of PPG Output when CR20 = CR21



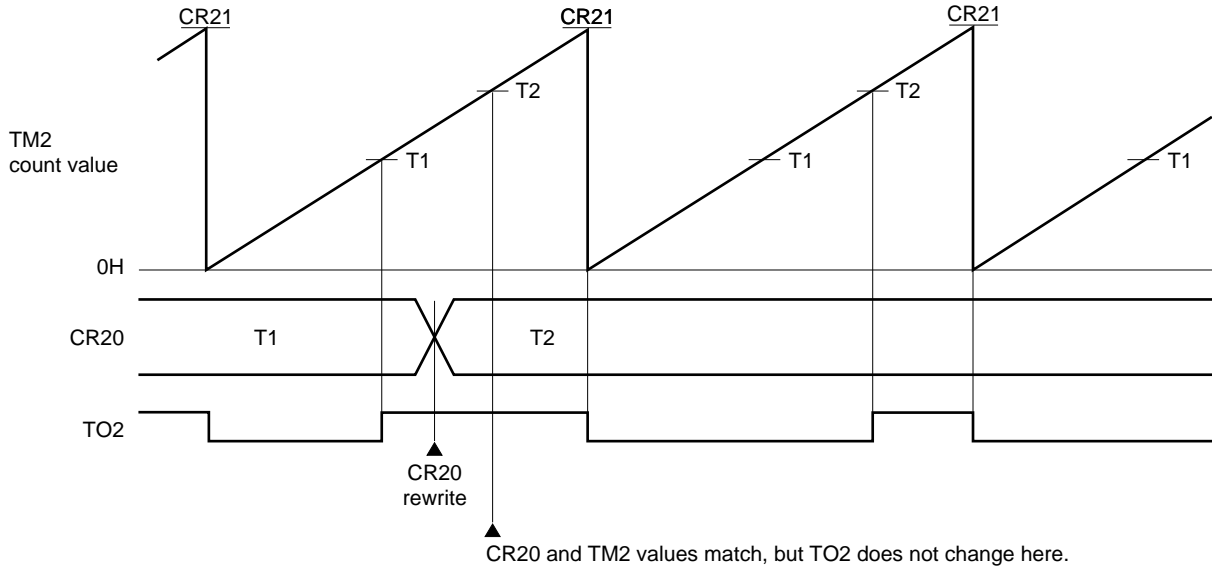
Remark ALV2 = 0

$T = x/f_{xx}$ ($x = 4, 8, 16, 32, 64, 128, 256, 512, 1,024$)

(2) Rewriting compare register (CR20)

The output level of the timer output (TO2) is not changed even if the CR20 value matches the timer counter 2 (TM2) value more than once during one PPG output cycle.

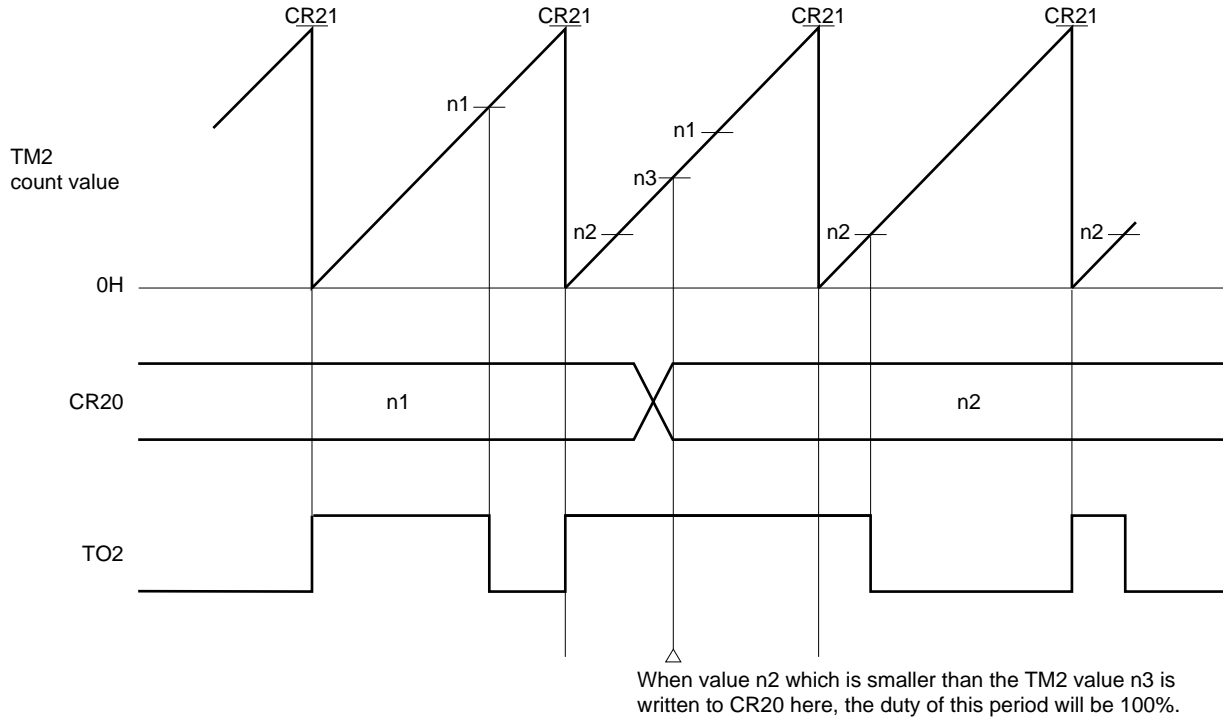
Figure 11-31. Example of Compare Register Rewrite



Remark ALV2 = 1

If a value equal to or less than the TM2 value is written to CR20 before the CR20 and TM2 match, the duty of that PPG cycle will be 100%. CR20 rewriting should be performed by the interrupt due to a match between TM2 and CR20.

Figure 11-32. Example of 100% Duty with PPG Output



Remark ALV2 = 0

Caution If the PPG cycle is extremely short as compared with the time required to acknowledge an interrupt, the value of CR20 cannot be rewritten by interrupt processing that is performed on match between TM2 and CR20. Use another method (for example, to poll the interrupt request flags by software with all the interrupts masked).

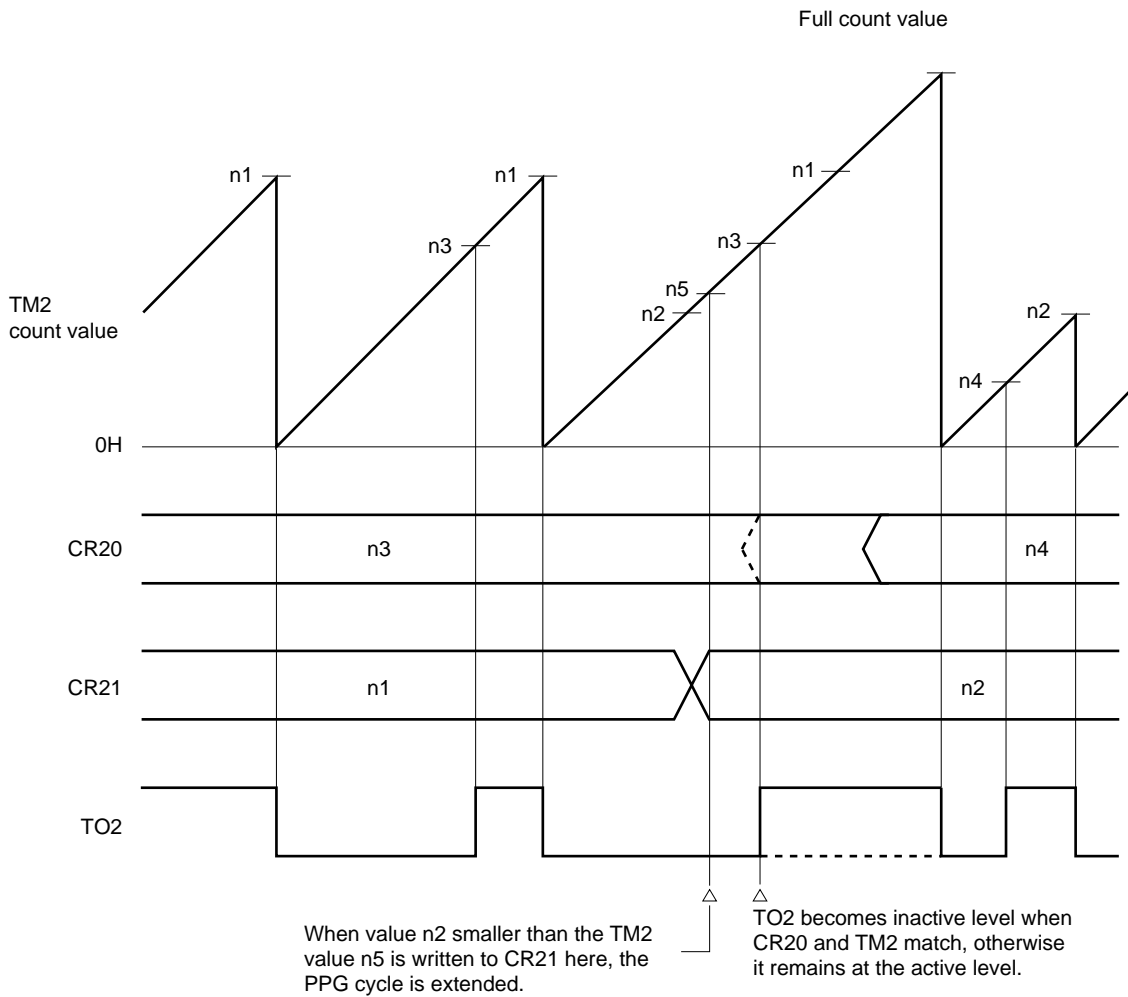
(3) Rewriting compare register (CR21)

If the current value of the CR21 is changed to a smaller value, and the CR21 value is made smaller than the timer counter 2 (TM2) value, the PPG cycle at that time will be extended to the time equivalent to a full-count by TM2. If CR21 is rewritten after the compare register (CR20) and TM2 match, the output level at this time will be the inactive level until TM2 overflows and becomes 0, and will then return to normal PPG output.

If CR21 is rewritten before CR20 and TM2 match, the active level will be output until CR20 and TM2 match. If CR20 and TM2 match before TM2 overflows and becomes 0, the inactive level is output at that point. When TM2 overflows and becomes 0, the active level will be output, and normal PPG output will be restored.

CR21 rewriting should be performed by the interrupt due to a match between TM2 and CR21, etc.

Figure 11-33. Example of Extended PPG Output Cycle



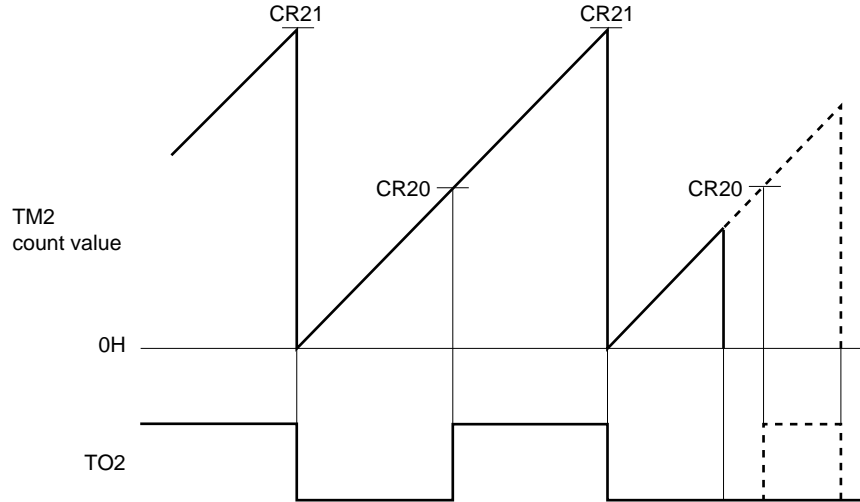
Remark ALV2 = 1

Caution If the PPG cycle is extremely short as compared with the time required to acknowledge an interrupt, the value of CR2n cannot be rewritten by interrupt processing that is performed on match between timer counter 2 (TM2) and compare register (CR2n: n = 0, 1). Use another method (for example, to poll the interrupt request flags by software with all the interrupts masked).

(4) Stopping PPG output

If timer/event counter 2 is stopped by clearing (to 0) the CE2 bit of the timer control register 1 (TMC1) during PPG signal output, the active level is output irrespective of the output level at the time timer/event counter 2 was stopped.

Figure 11-34. When Timer/Event Counter 2 is Stopped During PPG Signal Output



Caution The output level of the TOn (n = 2, 3) pin when timer output is disabled (ENTOn = 0: n = 2, 3) is the inverse value of the value set in ALVn (n = 2, 3) bits. Caution is therefore required as the active level is output when timer output is disabled when the PPG output function has been selected.

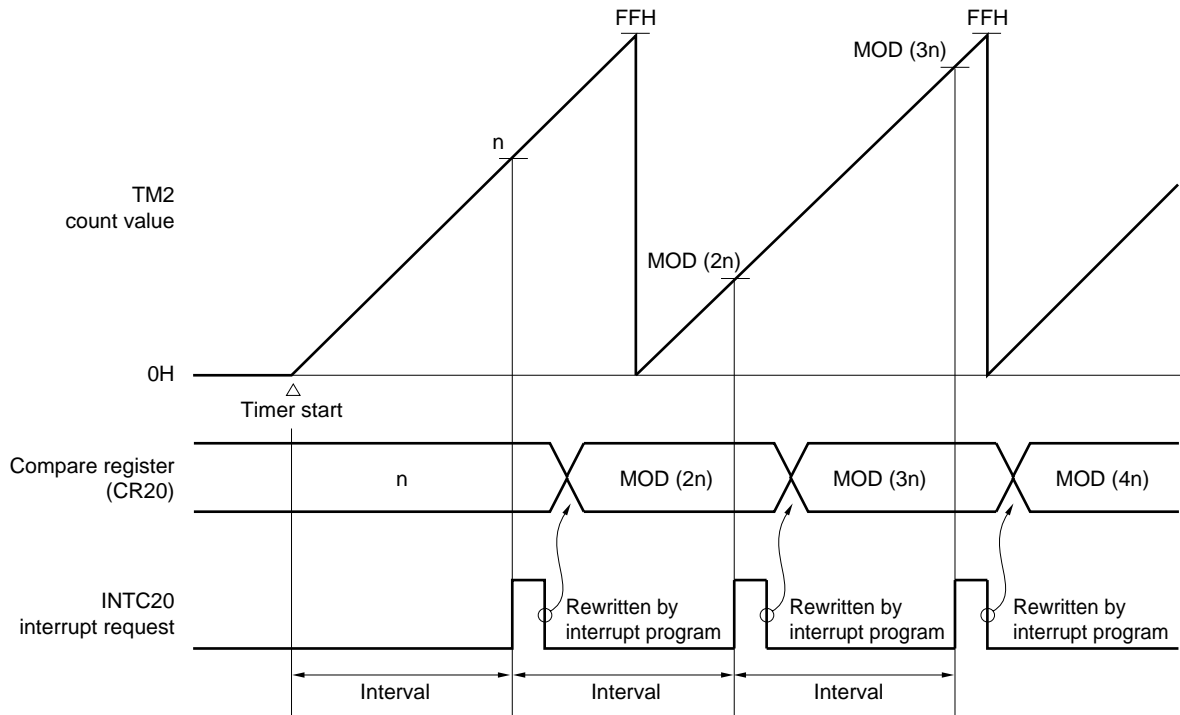
11.9 Examples of Use

11.9.1 Operation as interval timer (1)

When timer counter 2 (TM2) is made free-running and a fixed value is added to the compare register (CR2n: n = 0, 1) in the interrupt service routine, TM2 operates as an interval timer with the added fixed value as the cycle (see **Figure 11-35**).

The control register settings are shown in Figure 11-36, the setting procedure in Figure 11-37, and the processing in the interrupt service routine in Figure 11-38.

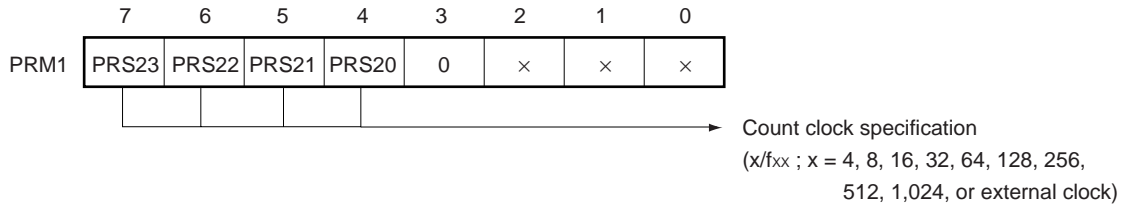
Figure 11-35. Interval Timer Operation (1) Timing



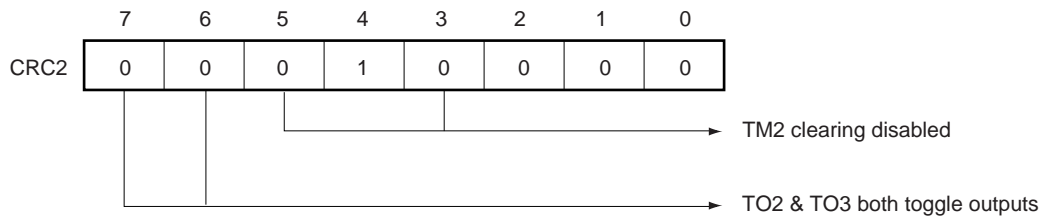
Remark Interval = $n \times x / f_{xx}$
 $1 \leq n \leq FFH$, $x = 4, 8, 16, 32, 64, 128, 256, 512, 1,024$

Figure 11-36. Control Register Settings for Interval Timer Operation (1)

(a) Prescaler mode register 1 (PRM1)



(b) Capture/compare control register 2 (CRC2)



(c) Timer control register 1 (TMC1)

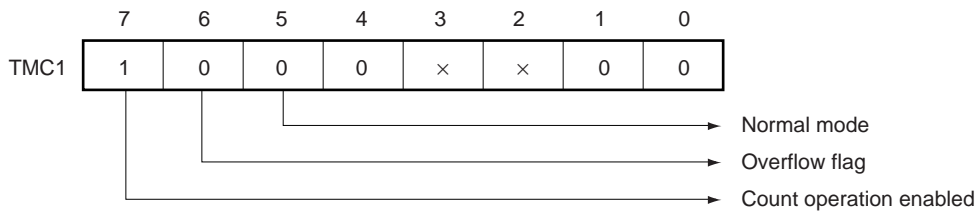


Figure 11-37. Interval Timer Operation (1) Setting Procedure

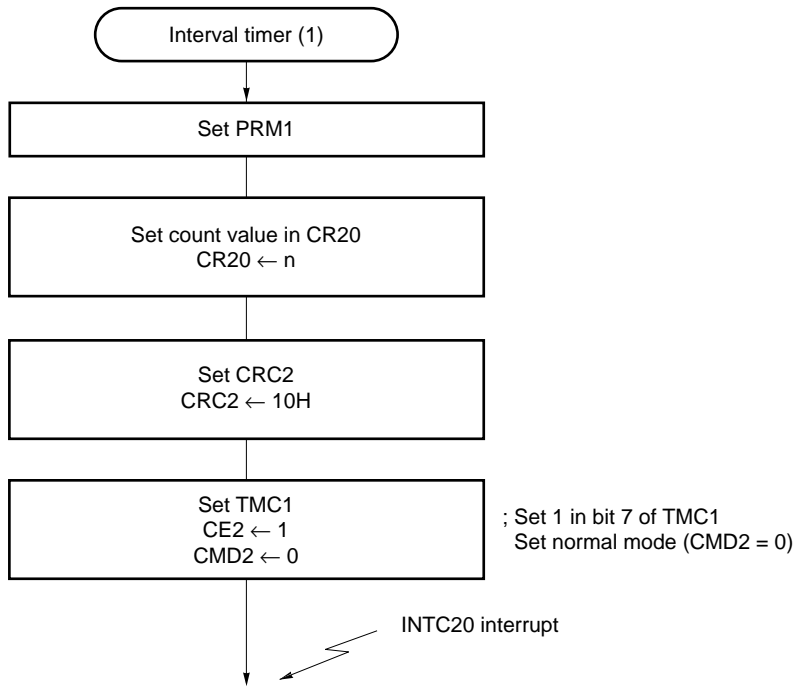
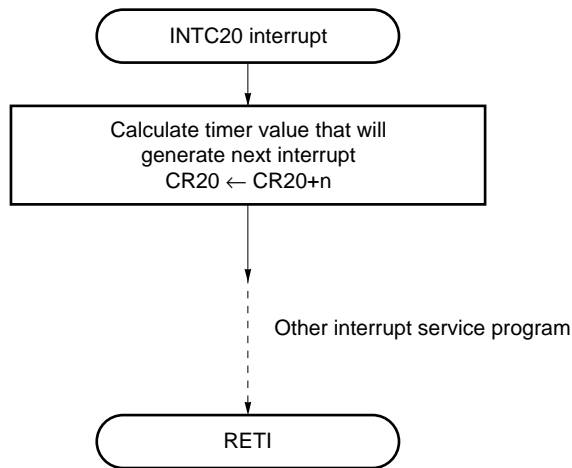


Figure 11-38. Interval Timer Operation (1) Interrupt Request Servicing

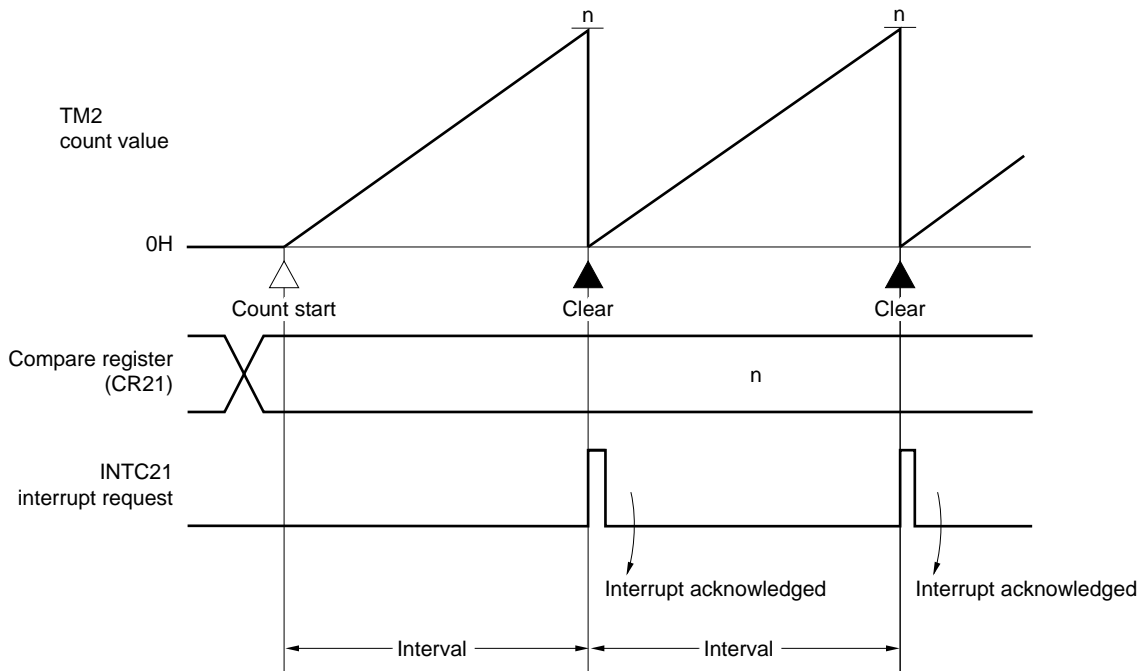


11.9.2 Operation as interval timer (2)

TM2 operates as an interval timer that generates interrupts repeatedly with the preset count time as the interval (see **Figure 11-39**).

The control register settings are shown in Figure 11-40, and the setting procedure in Figure 11-41.

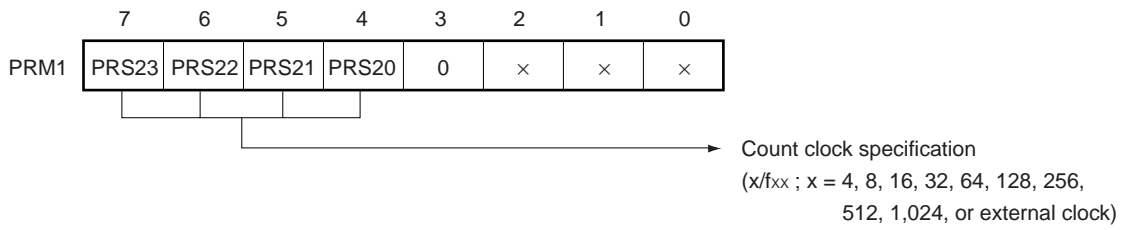
Figure 11-39. Interval Timer Operation (2) Timing



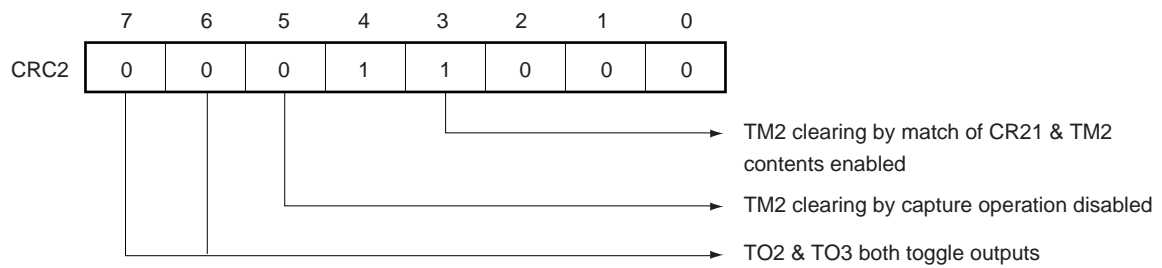
Remark Interval = $(n+1) \times x/f_{xx}$
 $0 \leq n \leq FFH$, $x = 4, 8, 16, 32, 64, 128, 256, 512, 1,024$

Figure 11-40. Control Register Settings for Interval Timer Operation (2)

(a) Prescaler mode register 1 (PRM1)



(b) Capture/compare control register 2 (CRC2)



(c) Timer control register 1 (TMC1)

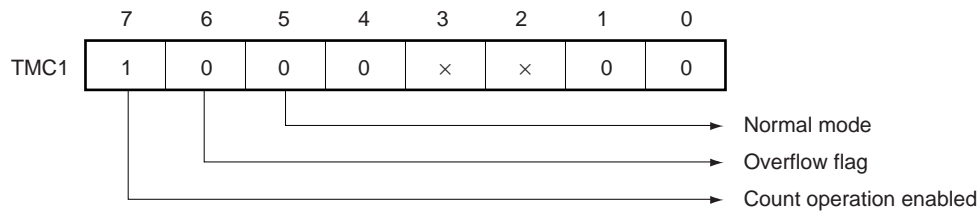
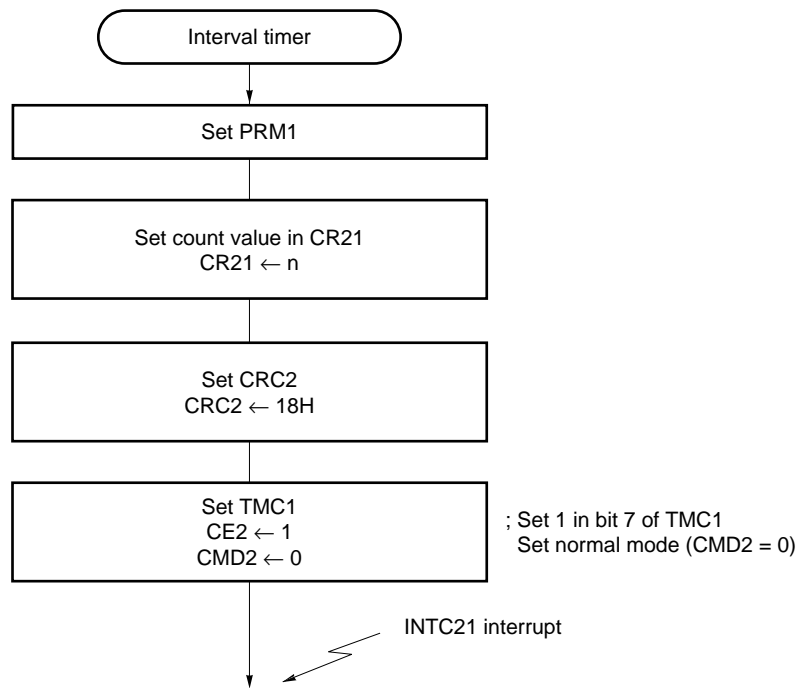


Figure 11-41. Interval Timer Operation (2) Setting Procedure



11.9.3 Pulse width measurement operation

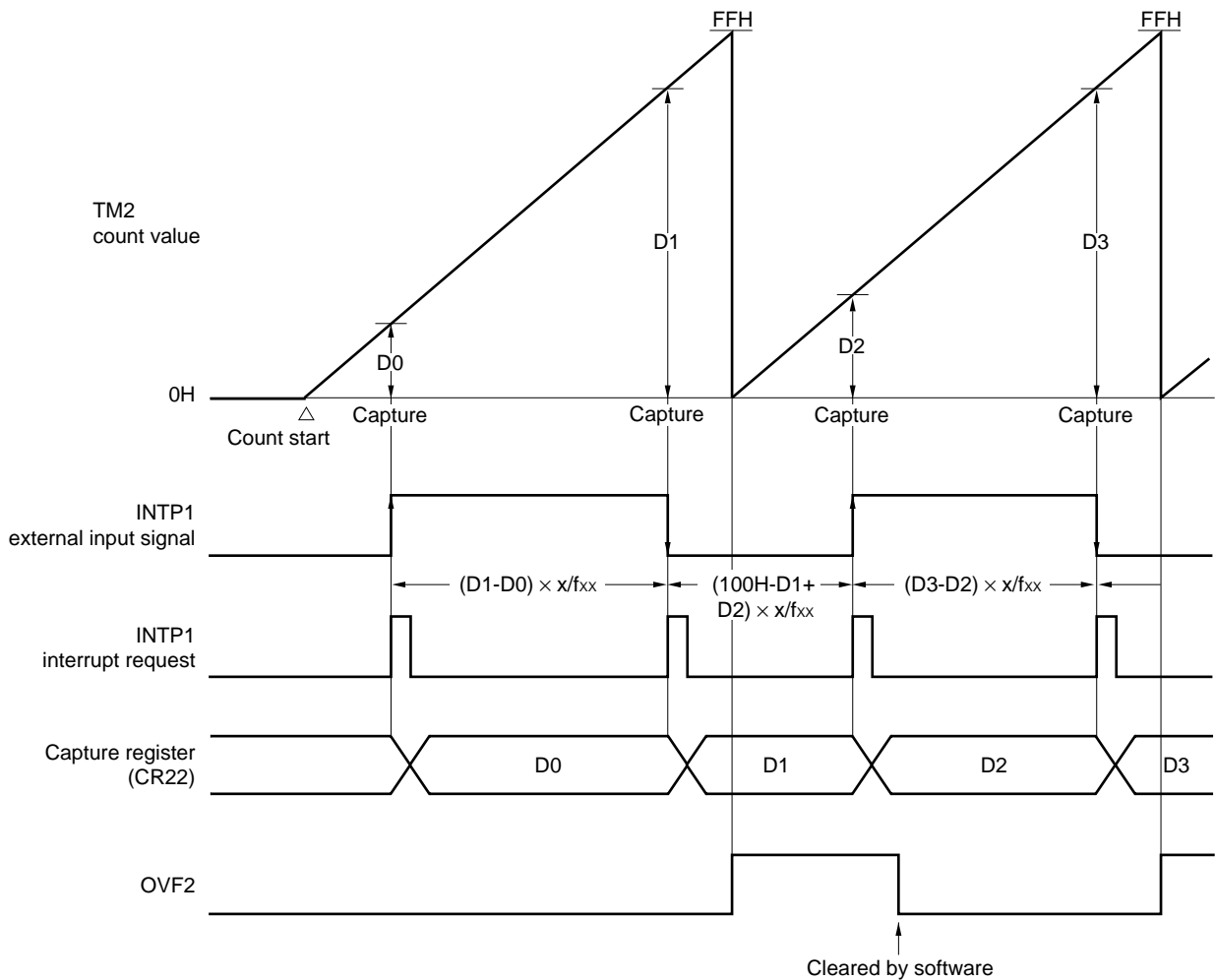
In pulse width measurement, the high-level or low-level width of external pulses input to the external interrupt request input pin (INTP1) are measured.

Both the high-level and low-level widths of pulses input to the INTP1 pin must be at least 3 system clocks ($0.24 \mu\text{s}$: $f_{\text{CLK}} = 12.58 \text{ MHz}$); if shorter than this, the valid edge will not be detected and a capture operation will not be performed.

As shown in Figure 11-42, the timer counter 2 (TM2) value being counted is fetched into the capture register (CR22) in synchronization with a valid edge (specified as both rising and falling edges) in the INTP1 pin input, and held there. The pulse width is obtained from the product of the difference value between the TM2 count value (D_n) fetched into and held in the CR22 on detection of the n th valid edge and the count value (D_{n-1}) fetched and held on detection of $n-1$ th valid edge, and the number of $n-1$ th count clocks (x/f_{xx} ; $x = 4, 8, 16, 32, 64, 128, 256, 512, 1,024$).

The control register settings are shown in Figure 11-43, and the setting procedure in Figure 11-44.

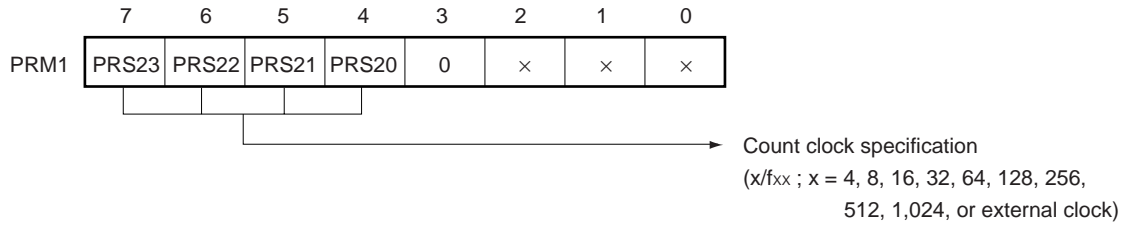
Figure 11-42. Pulse Width Measurement Timing



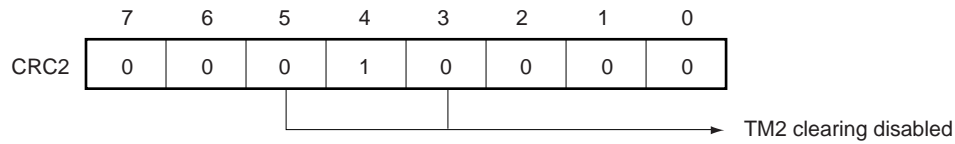
Remark D_n : TM2 count value ($n = 0, 1, 2, \dots$)
 $x = 4, 8, 16, 32, 64, 128, 256, 512, 1,024$

Figure 11-43. Control Register Settings for Pulse Width Measurement

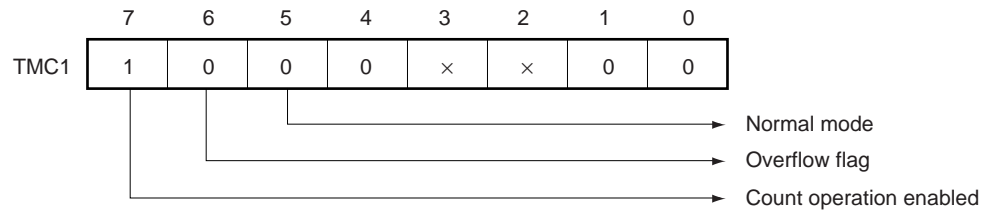
(a) Prescaler mode register 1 (PRM1)



(b) Capture/compare control register 2 (CRC2)



(c) Timer control register 1 (TMC1)



(d) External interrupt mode register 0 (INTM0)

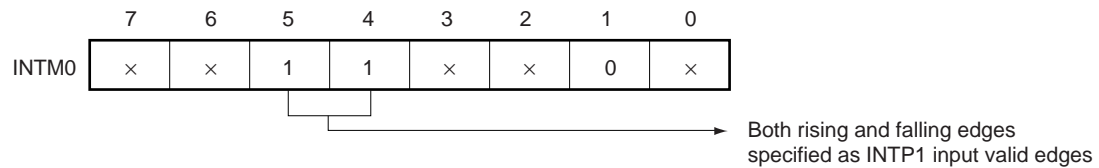


Figure 11-44. Pulse Width Measurement Setting Procedure

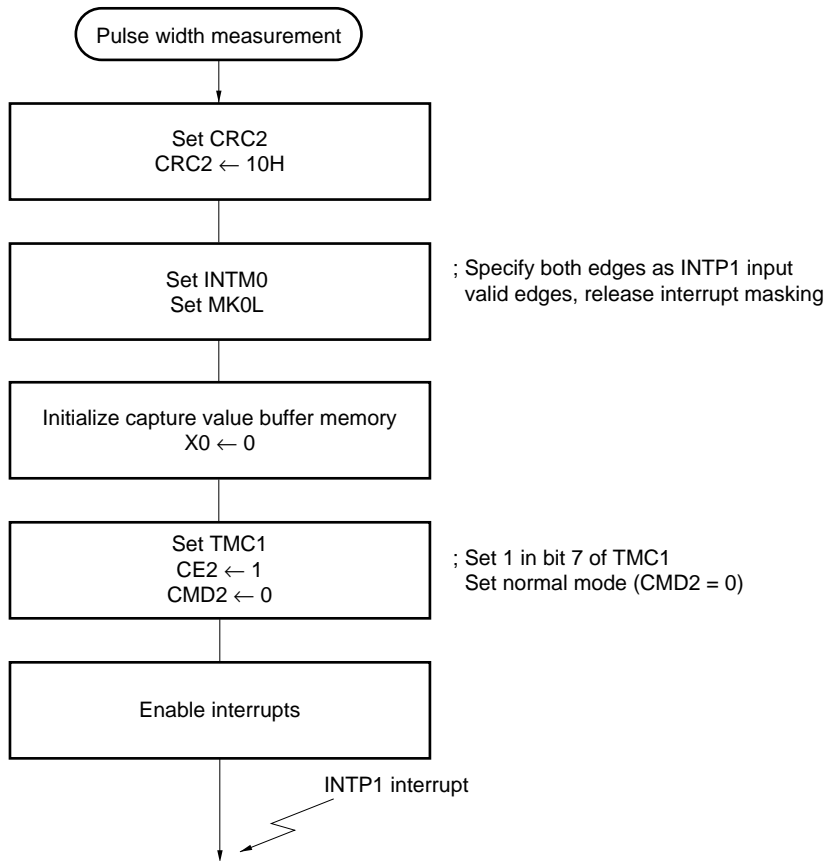
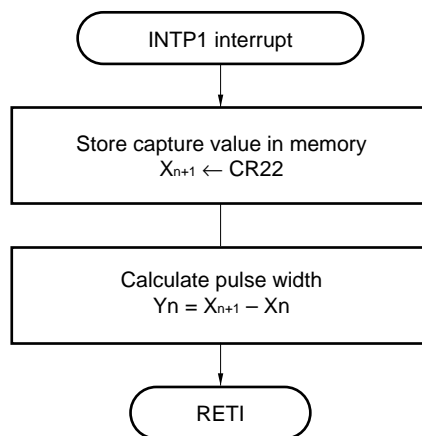


Figure 11-45. Interrupt Request Servicing that Calculates Pulse Width



11.9.4 Operation as PWM output

In PWM output, pulses with the duty ratio determined by the value set in the compare register (CR2n: n = 0, 1) are output (see **Figure 11-46**).

This PWM output duty ratio can be varied in the range 1/256 to 255/256 in 1/256 units.

The control register settings are shown in Figure 11-47, the setting procedure in Figure 11-48, and the procedure for varying the duty in Figure 11-49.

Figure 11-46. Example of Timer/Event Counter 2 PWM Signal Output

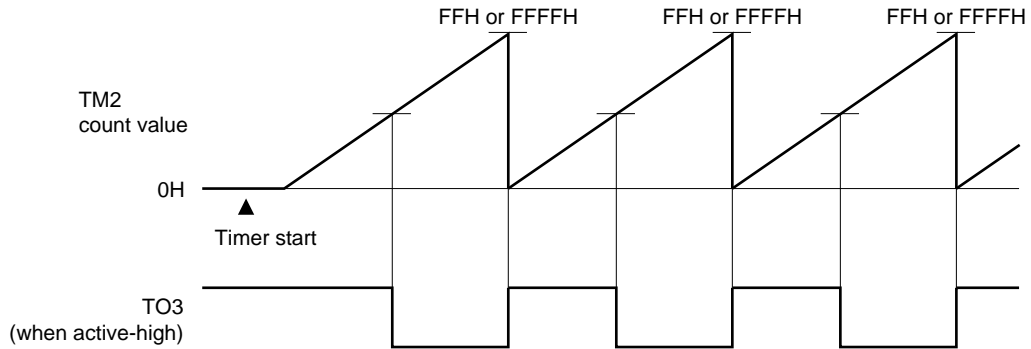
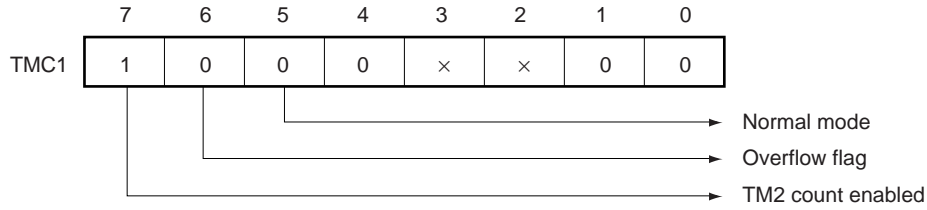
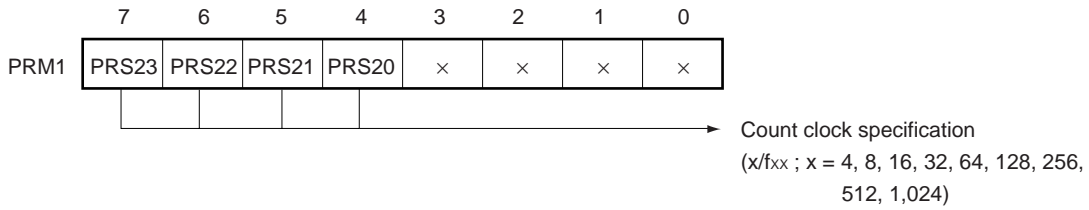


Figure 11-47. Control Register Settings for PWM Output Operation

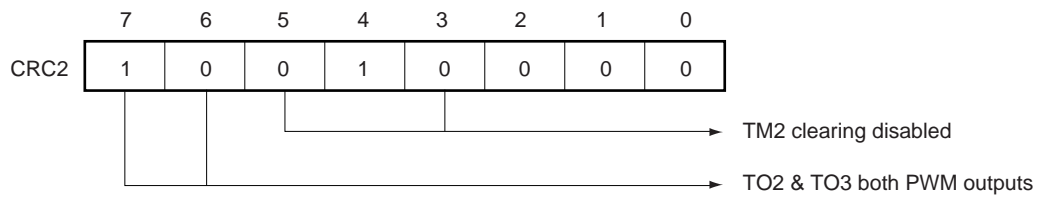
(a) Timer control register 1 (TMC1)



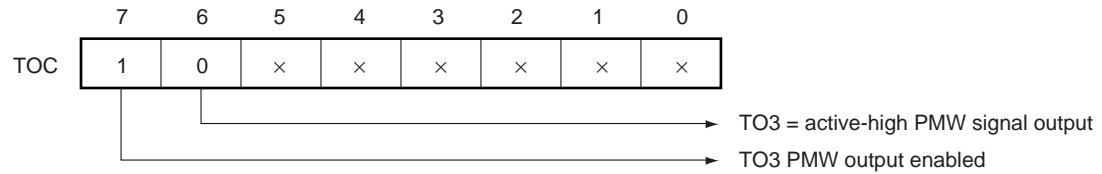
(b) Prescaler mode register 1 (PRM1)



(c) Capture/compare control register 2 (CRC2)



(d) Timer output control register (TOC)



(e) Port 3 mode control register (PMC3)

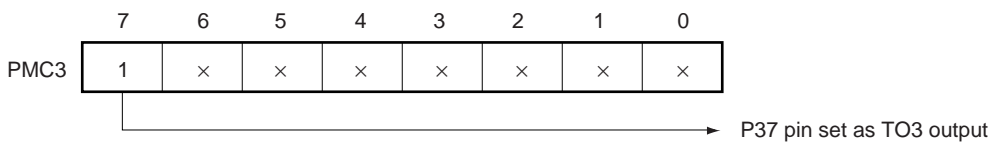


Figure 11-48. PWM Output Setting Procedure

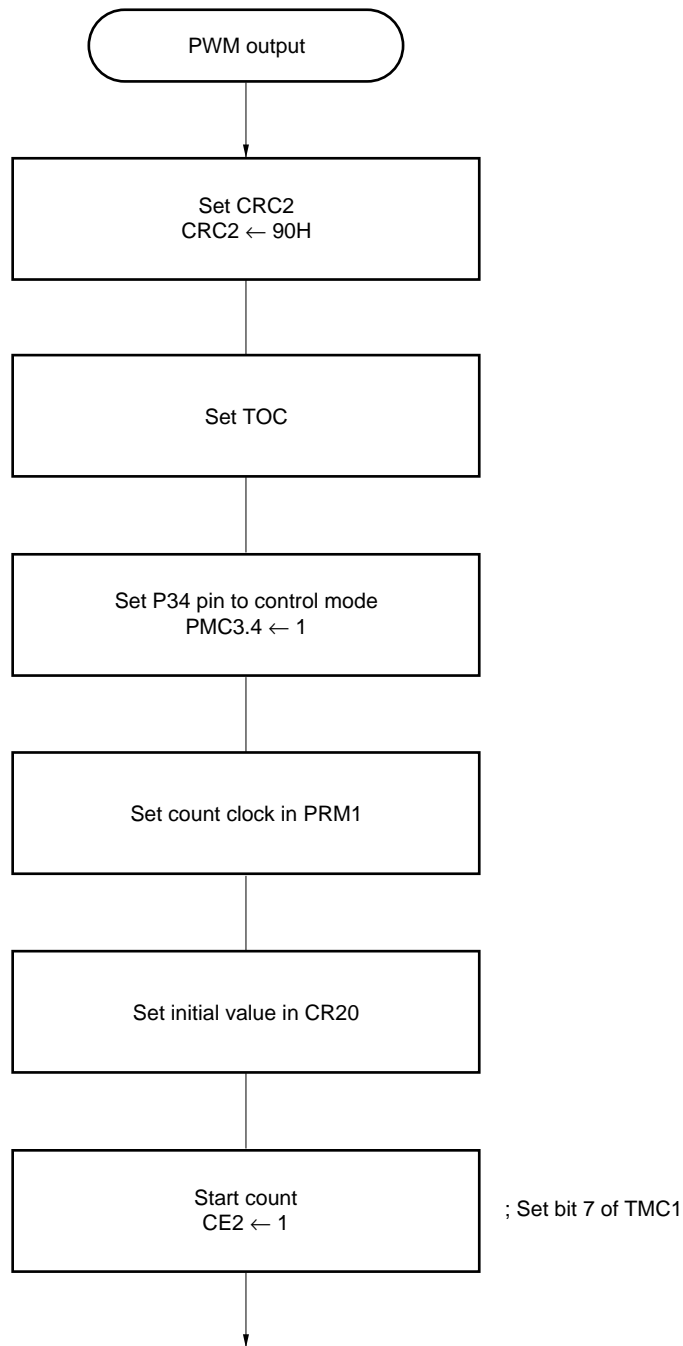
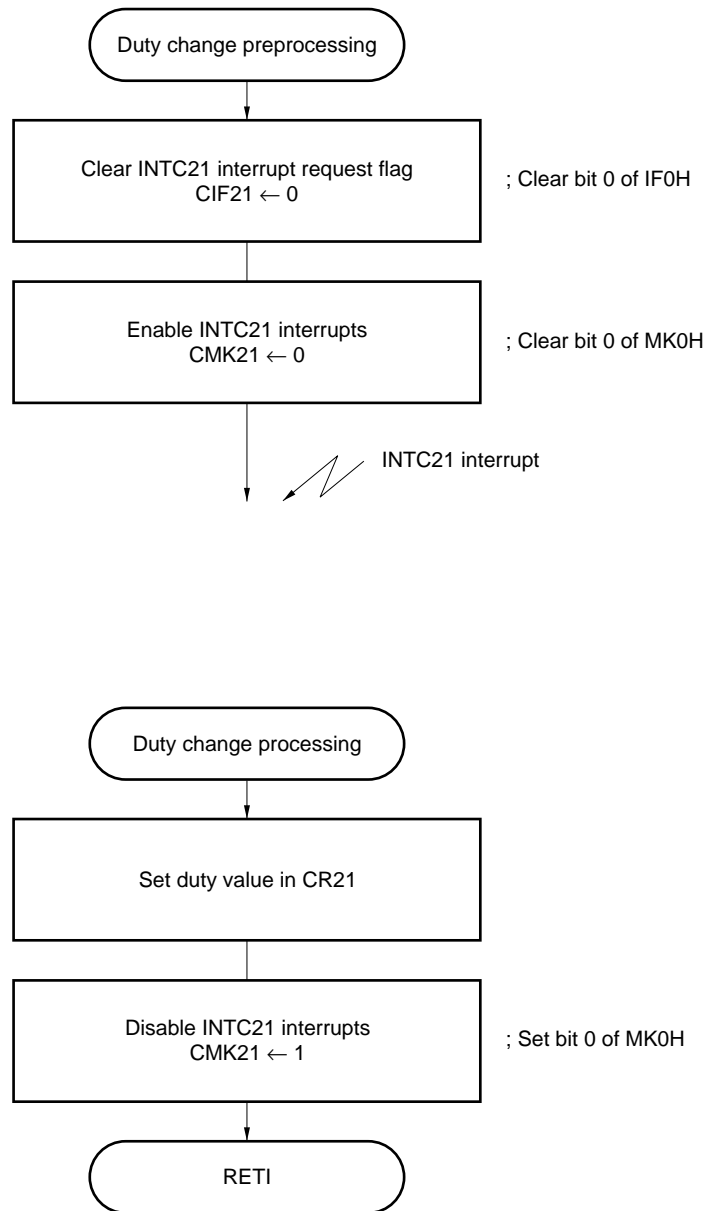


Figure 11-49. Changing PWM Output Duty



11.9.5 Operation as PPG output

In PPG output, pulses with the cycle and duty ratio determined by the value set in the compare register (CR2n: n = 0, 1) are output (see **Figure 11-50**).

The control register settings are shown in Figure 11-51, the setting procedure in Figure 11-52, and the procedure for varying the duty in Figure 11-53.

Figure 11-50. Example of Timer/Event Counter 2 PPG Signal Output

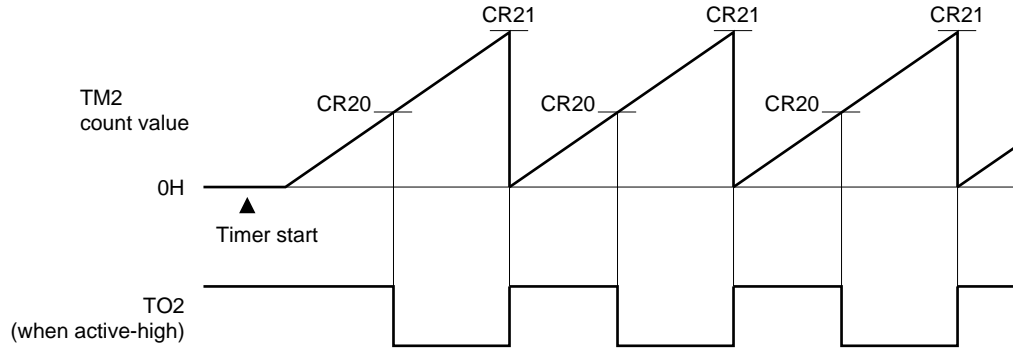
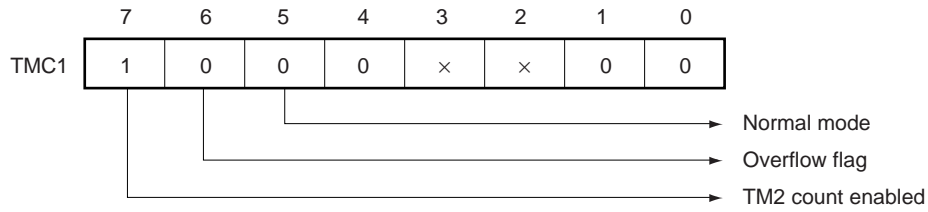
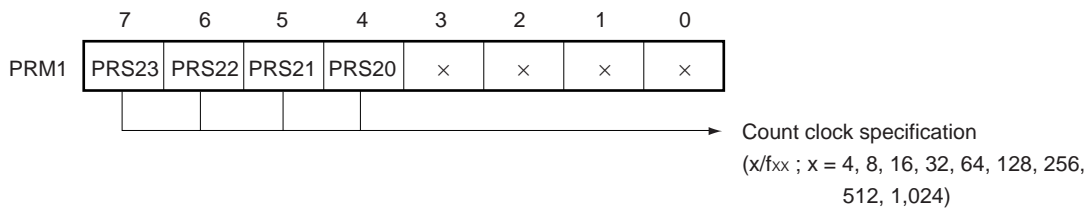


Figure 11-51. Control Register Settings for PPG Output Operation

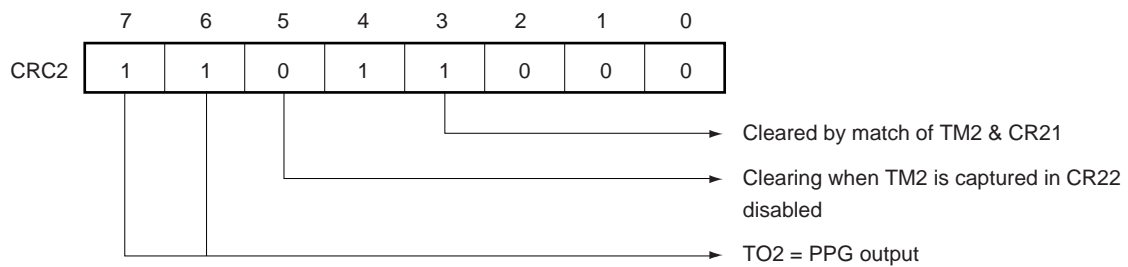
(a) Timer control register 1 (TMC1)



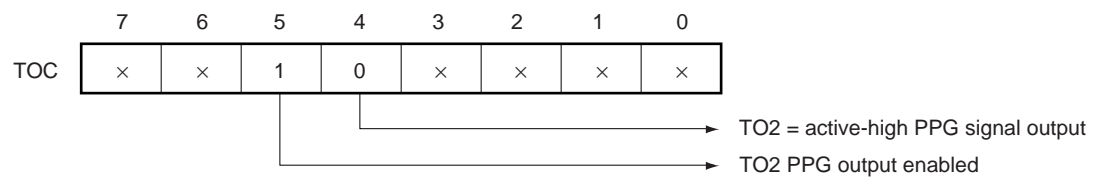
(b) Prescaler mode register 1 (PRM1)



(c) Capture/compare control register 2 (CRC2)



(d) Timer output control register (TOC)



(e) Port 3 mode control register (PMC3)

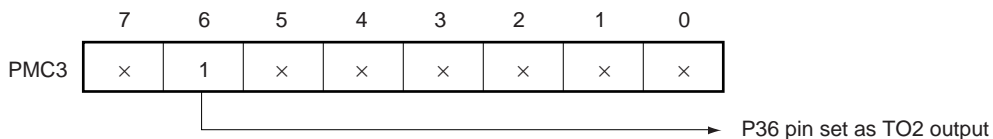


Figure 11-52. PPG Output Setting Procedure

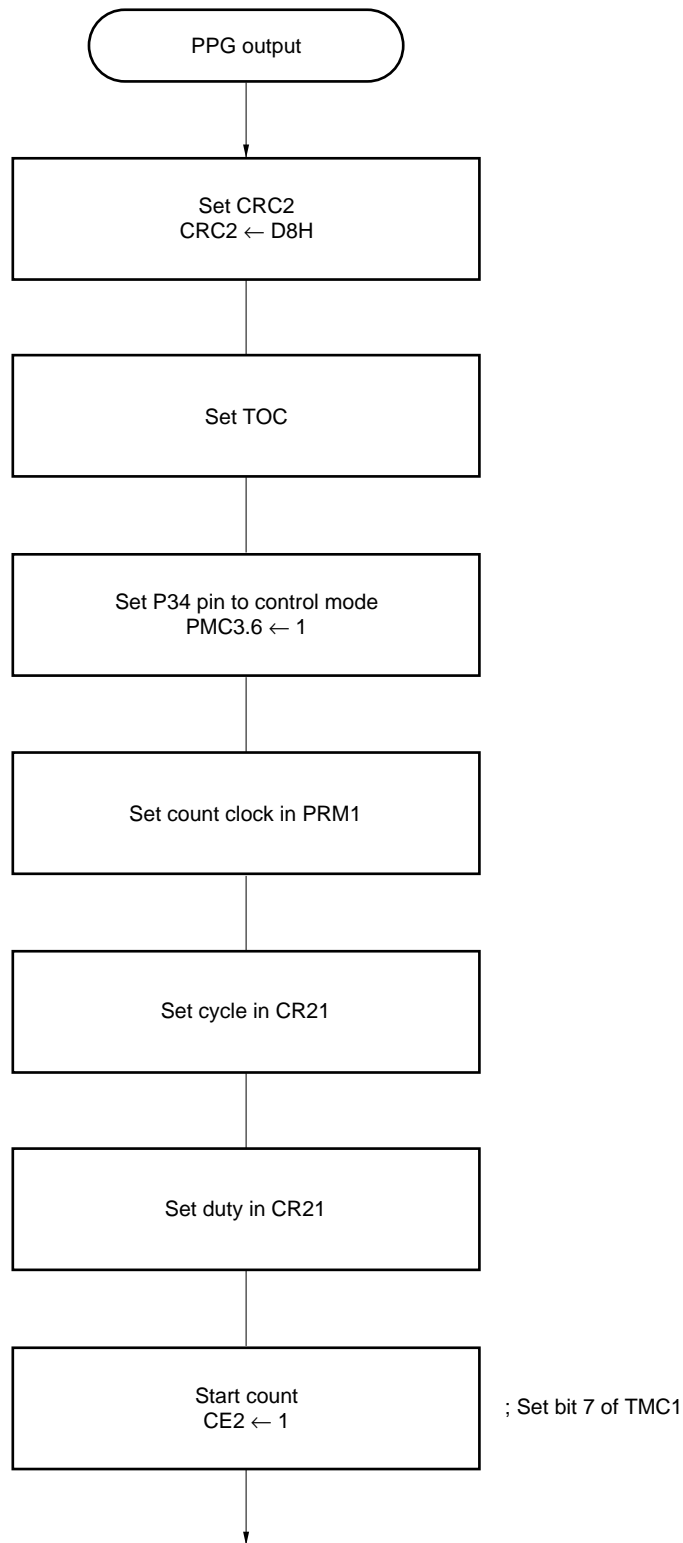
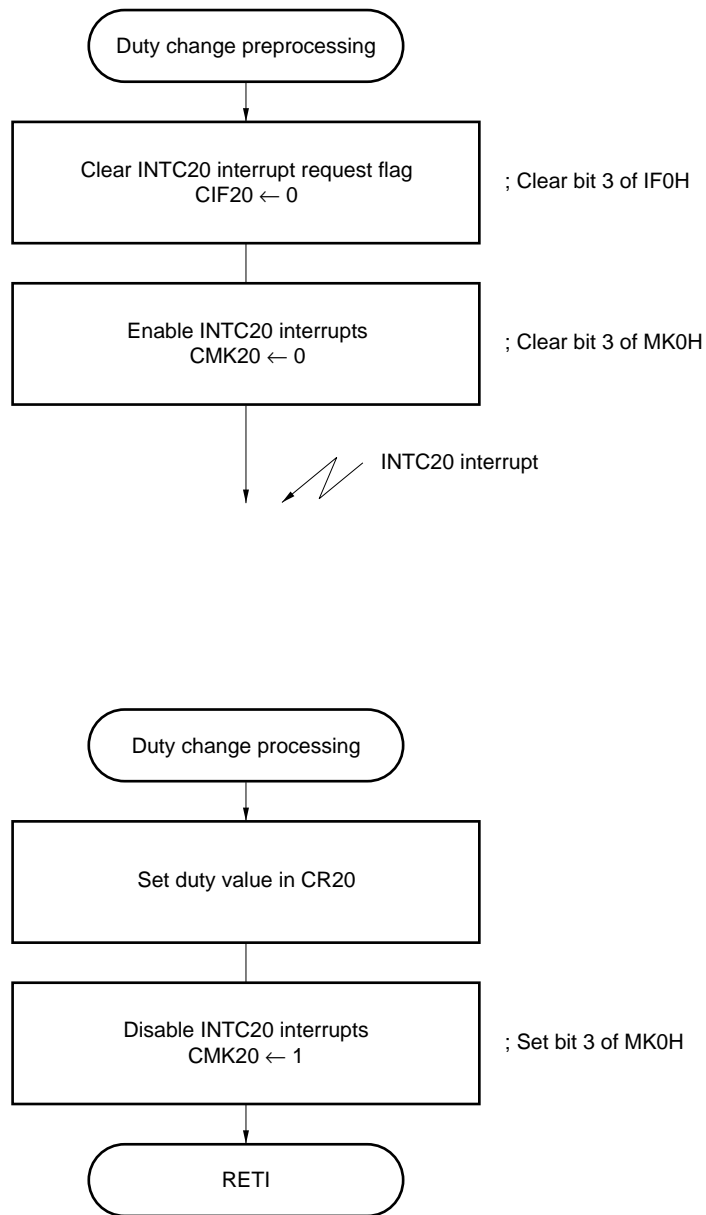


Figure 11-53. Changing PPG Output Duty

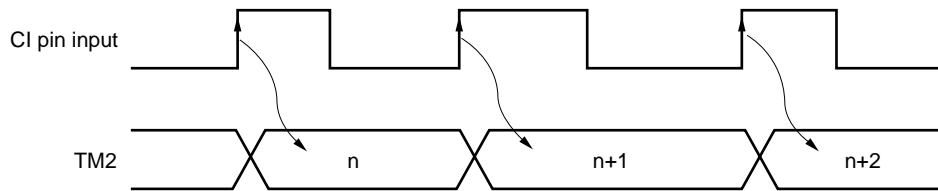


11.9.6 Operation as external event counter

An external event counter counts clock pulses (CI pin input pulses) input from off-chip.

As shown in Figure 11-54, the value of timer counter 2 (TM2) is incremented in synchronization with a CI pin input valid edge (specified as rising edge only).

Figure 11-54. External Event Counter Operation (single edge)

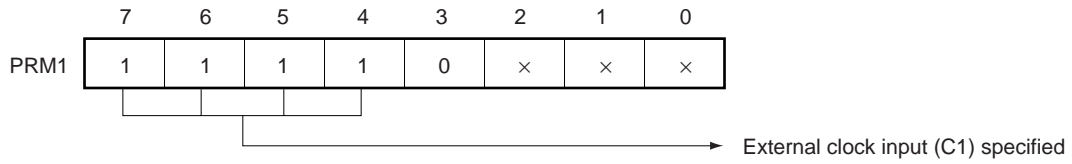


Remark The TM2 value is one less than the number of input clock pulses.

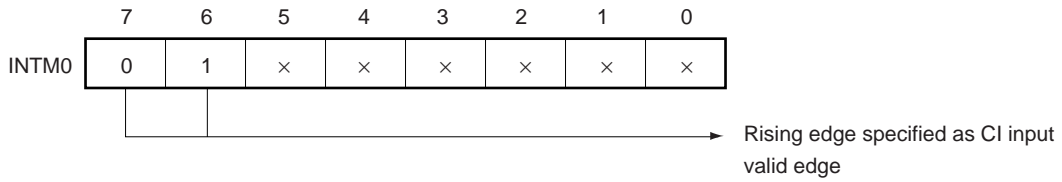
The control register settings when TM2 operates as an external event counter are shown in Figure 11-55, and the setting procedure in Figure 11-56.

Figure 11-55. Control Register Settings for External Event Counter Operation

(a) Prescaler mode register 1 (PRM1)



(b) External interrupt mode register 0 (INTM0)



(c) Timer control register 1 (TMC1)

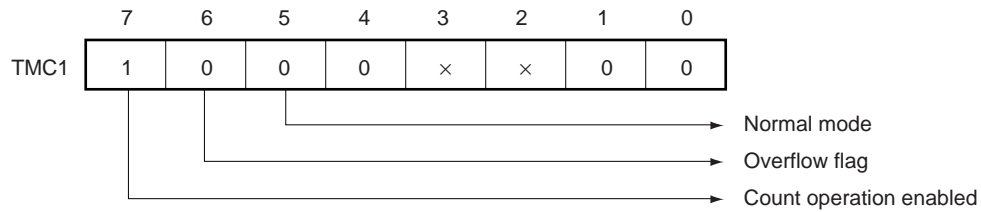
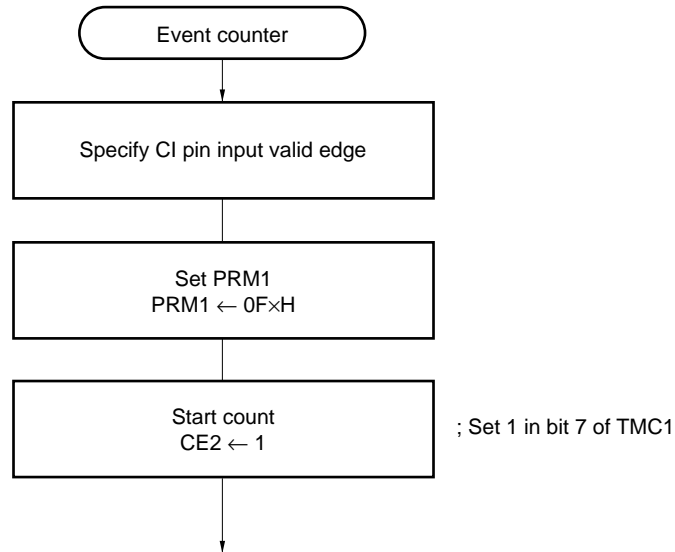


Figure 11-56. External Event Counter Operation Setting Procedure



11.9.7 Operation as one-shot timer

After timer counter 2 (TM2) is started, it operates as a one-shot pulse that generates a single interrupt after the preset count time (see **Figure 11-57**).

The second and subsequent one-shot timer operations can be started by clearing the OVF2 bit of timer control register 1 (TMC1).

The control register settings are shown in Figure 11-58, the setting procedure in Figure 11-59, and the procedure for starting the one-shot timer from the second time onward in Figure 11-60.

Figure 11-57. One-Shot Timer Operation

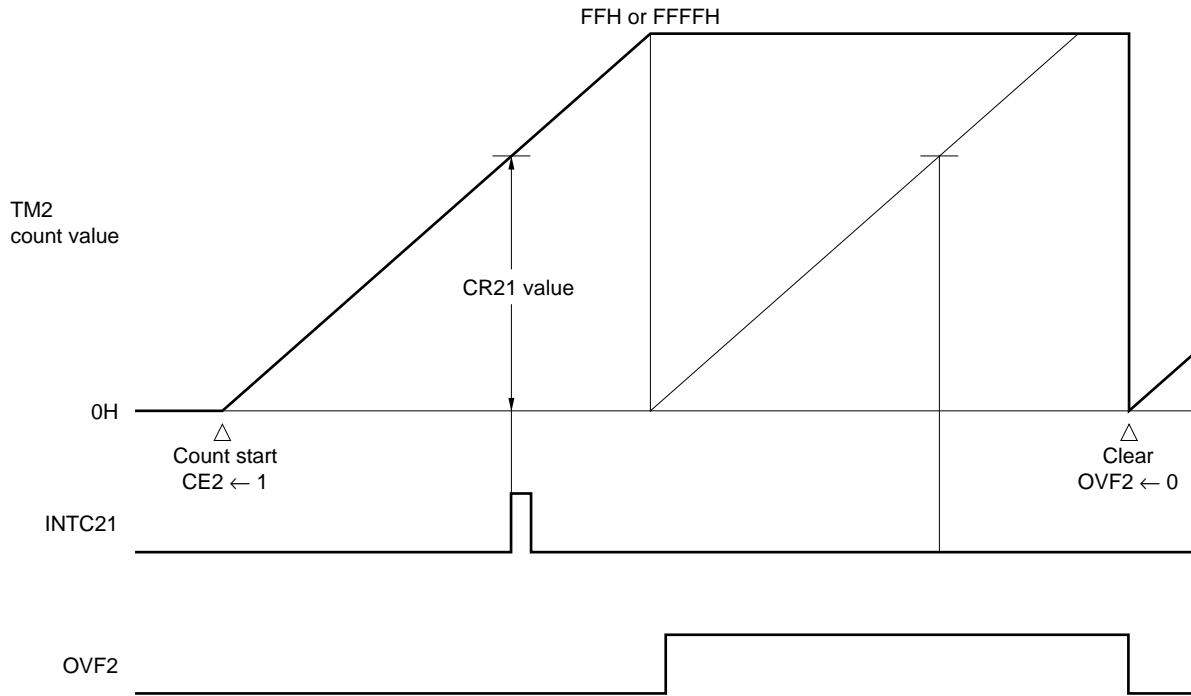
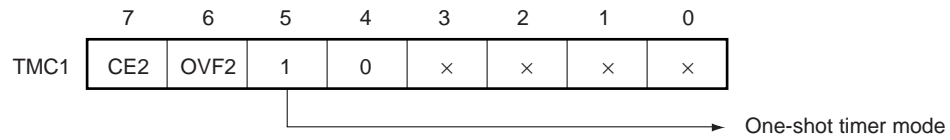
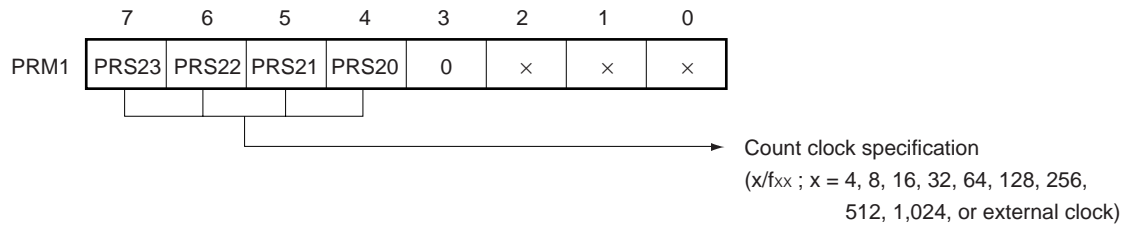


Figure 11-58. Control Register Settings for One-Shot Timer Operation

(a) Timer control register 1 (TMC1)



(b) Prescaler mode register 1 (PRM1)



(c) Capture/compare control register 2 (CRC2)

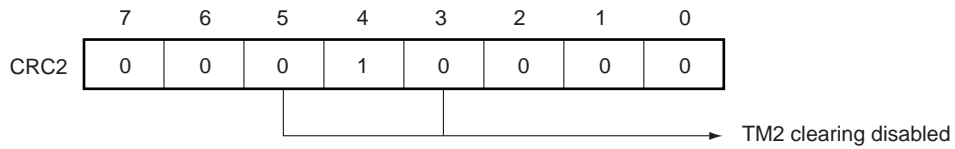


Figure 11-59. One-Shot Timer Operation Setting Procedure

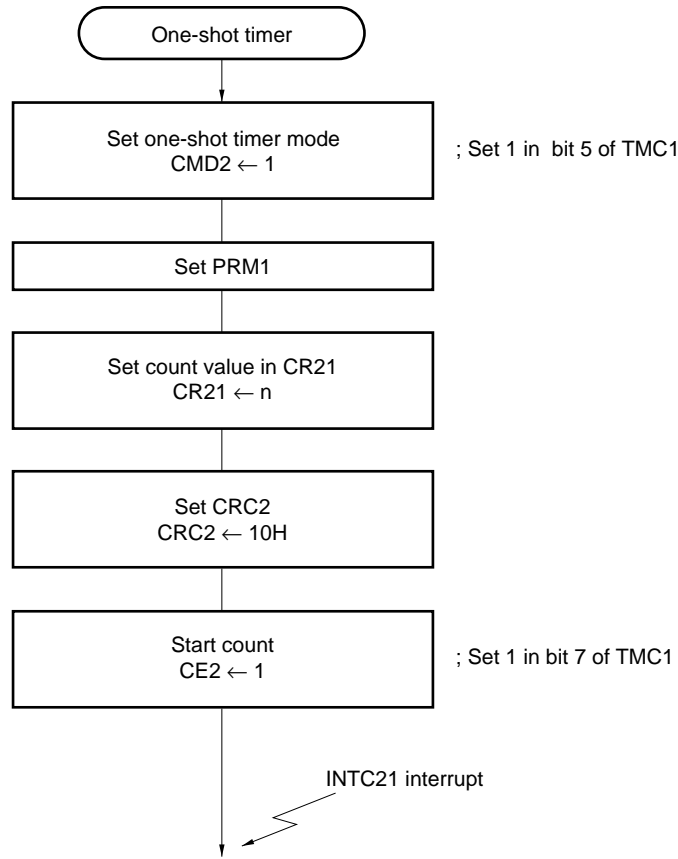
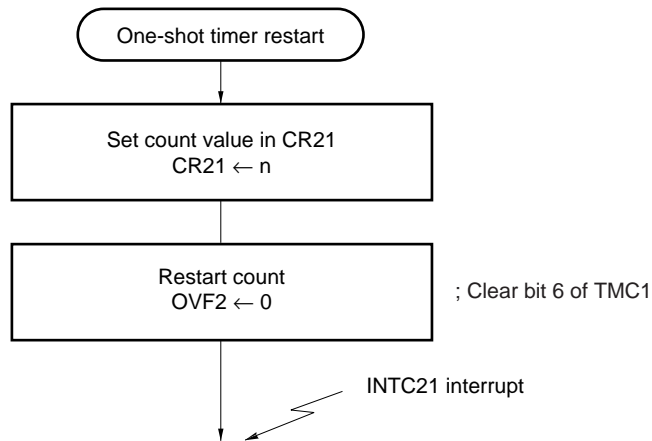


Figure 11-60. One-Shot Timer Operation Start Procedure from Second Time Onward



11.10 Cautions

(1) While timer/event counter 2 is operating (while the CE2 bit of the timer control register 1 (TMC1) is set), malfunctioning may occur if the contents of the following registers are rewritten. This is because it is undefined which takes precedence, change in the hardware functions due to rewriting the register, or the change in the status because of the function before rewriting.

Therefore, be sure to stop the counter operation for the sake of safety before rewriting the contents of the following registers.

- Prescaler mode register 1 (PRM1)
- Capture/compare control register 2 (CRC2)
- Timer output control register (TOC)
- CMD2 bit of timer control register 1 (TMC1)

(2) If the contents of the compare register (CR2n: n = 0, 1) match with those of TM2 when an instruction that stops timer counter 2 (TM2) operation is executed, the counting operation of TM2 stops, but an interrupt request is generated. In order not to generate the interrupt when stopping the operation of TM2, mask the interrupt in advance by using the interrupt mask register before stopping TM2.

Example

Program that may generate interrupt request

```

:
CLR1 CE2
OR   MK0H, #03H ← Interrupt request from
:                               timer/event counter 2
:                               occurs between these
:                               instructions

```

Program that does not generate interrupt request

```

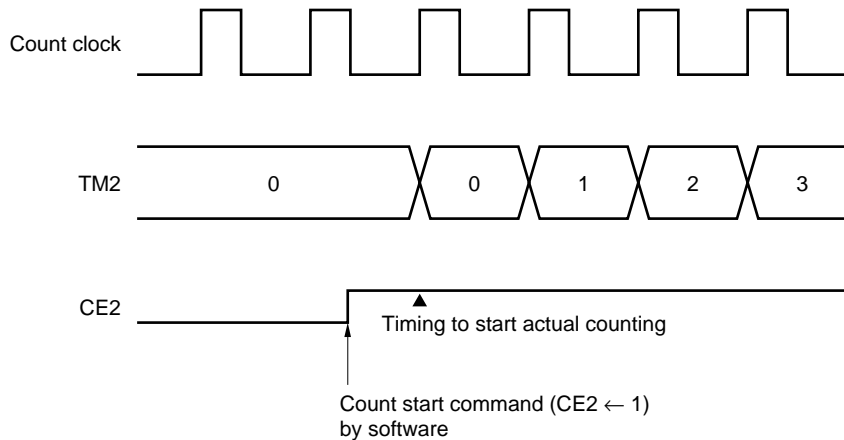
:
OR   MK0H, #03H ← Disables interrupt from timer/event
CLR1 CE2        counter 2
CLR1 CIF20      ← Clears interrupt request flag for timer/
CLR1 CIF21      event counter 2
:

```

(3) Up to 1 count clock is required after an operation to start timer/event counter 2 (CE2 ← 1) has been performed before timer/event counter 2 actually starts (refer to **Figure 11-61**).

For example, when using timer/event counter 2 as an interval timer, the first interval time is delayed by up to 1 clock. The second and those that follow are at the specified interval.

Figure 11-61. Operation when Counting is Started



- (4) While an instruction that writes data to the compare register (CR2n: n = 0, 1) is executed, coincidence between CR2n, to which the data is to be written, and timer counter 2 (TM2) is not detected. For example, if the contents of CR2n do not change before and after the writing, the interrupt request is not generated even if the value of TM2 coincides with the value of CR2n, nor does the timer output (TOn + 2: n + 2 = 2, 3) change.
Write data to CR2n when timer/event counter 2 is executing count operation in the manner that the contents of TM2 do not match the value of CR2n before and after writing (e.g., immediately after an interrupt request has been generated because TM2 and CR2n have matched).
- (5) Match between TM2 and compare register (CR2n: n = 0, 1) is detected only when TM2 is incremented. Therefore, the interrupt request is not generated and timer output (TOn + 2 : n + 2 = 2, 3) does not change even if the same value as TM2 is written to CR2n.
- (6) During PPG output, if the PPG cycle is extremely short as compared with the time required to acknowledge an interrupt, the value of the compare register (CR2n: n = 0, 1) cannot be rewritten by interrupt processing that is performed on match between timer counter 2 (TM2) and compare register (CR2n). Use another method (for example, to poll the interrupt request flags by software with all the interrupts masked).
- (7) The output level of the TOn (n = 2, 3) when the timer output is disabled (ENTOn = 0: n = 2, 3) is the inverse value of the value set to the ALVn (n = 2, 3) bits. Note, therefore, that an active level is output when the timer output is disabled with the PWM output function or PPG output function selected.
- (8) When using timer/event counter 2 as an external event counter, the status where no valid edge is input cannot be distinguished from the status where only one valid edge has been input, by using TM2 alone (refer to **Figure 11-62**), because the contents of TM2 are 0 in both the cases. To make a distinction, use the interrupt request flag of INTP2, as shown in Figure 11-63 (the INTP2 pin is multiplexed with the CI pin and both the functions can be used at the same time).

Figure 11-62. Example of the Case where External Event Counter does Not Distinguish between One Valid Edge Input and No Valid Edge Input

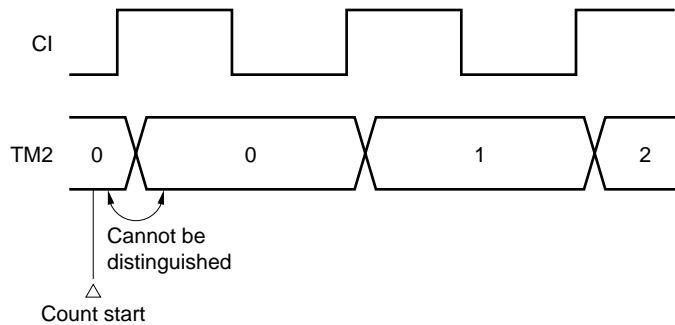
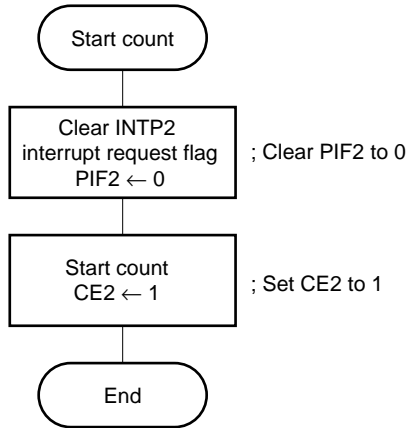
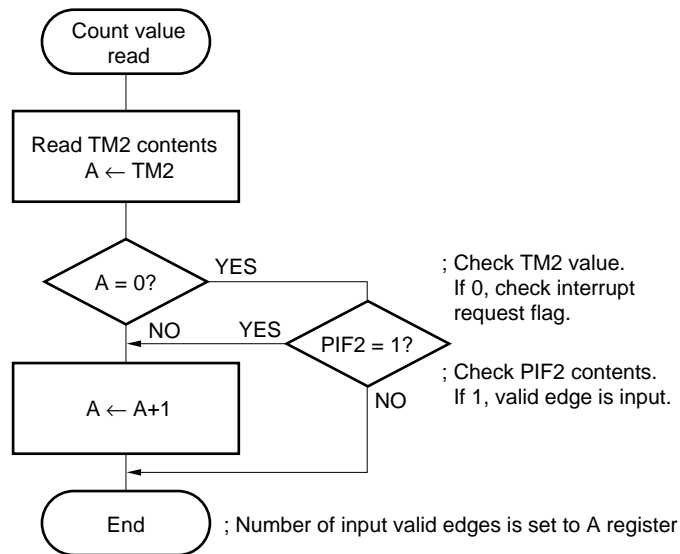


Figure 11-63. To Distinguish whether One or No Valid Edge has been Input with External Event Counter

(a) Processing when count is started



(b) Processing when count value is read



[MEMO]

CHAPTER 12 TIMER 3

12.1 Function

Timer 3 is a 16- or 8-bit timer.

In addition to its function as an interval timer, it can be used as a counter for clocked serial interface (CSI) clock generation. The interval timer generates internal interrupts at preset intervals. The interval setting range is shown in Table 12-1.

Table 12-1. Timer 3 Intervals

Minimum Interval	Maximum Interval	Resolution
$4/f_{xx}$ (0.32 μ s)	$2^{16} \times 4/f_{xx}$ (20.8 ms)	$4/f_{xx}$ (0.32 μ s)
$8/f_{xx}$ (0.64 μ s)	$2^{16} \times 8/f_{xx}$ (41.7 ms)	$8/f_{xx}$ (0.64 μ s)
$16/f_{xx}$ (1.27 μ s)	$2^{16} \times 16/f_{xx}$ (83.4 ms)	$16/f_{xx}$ (1.27 μ s)
$32/f_{xx}$ (2.54 μ s)	$2^{16} \times 32/f_{xx}$ (167 ms)	$32/f_{xx}$ (2.54 μ s)
$64/f_{xx}$ (5.09 μ s)	$2^{16} \times 64/f_{xx}$ (333 ms)	$64/f_{xx}$ (5.09 μ s)
$128/f_{xx}$ (10.17 μ s)	$2^{16} \times 128/f_{xx}$ (667 ms)	$128/f_{xx}$ (10.17 μ s)
$256/f_{xx}$ (20.35 μ s)	$2^{16} \times 256/f_{xx}$ (1.33 s)	$256/f_{xx}$ (20.35 μ s)
$512/f_{xx}$ (40.70 μ s)	$2^{16} \times 512/f_{xx}$ (2.67 s)	$512/f_{xx}$ (40.70 μ s)
$1,024/f_{xx}$ (81.40 μ s)	$2^{16} \times 1,024/f_{xx}$ (5.33 s)	$1,024/f_{xx}$ (81.40 μ s)

(): When $f_{xx} = 12.58$ MHz

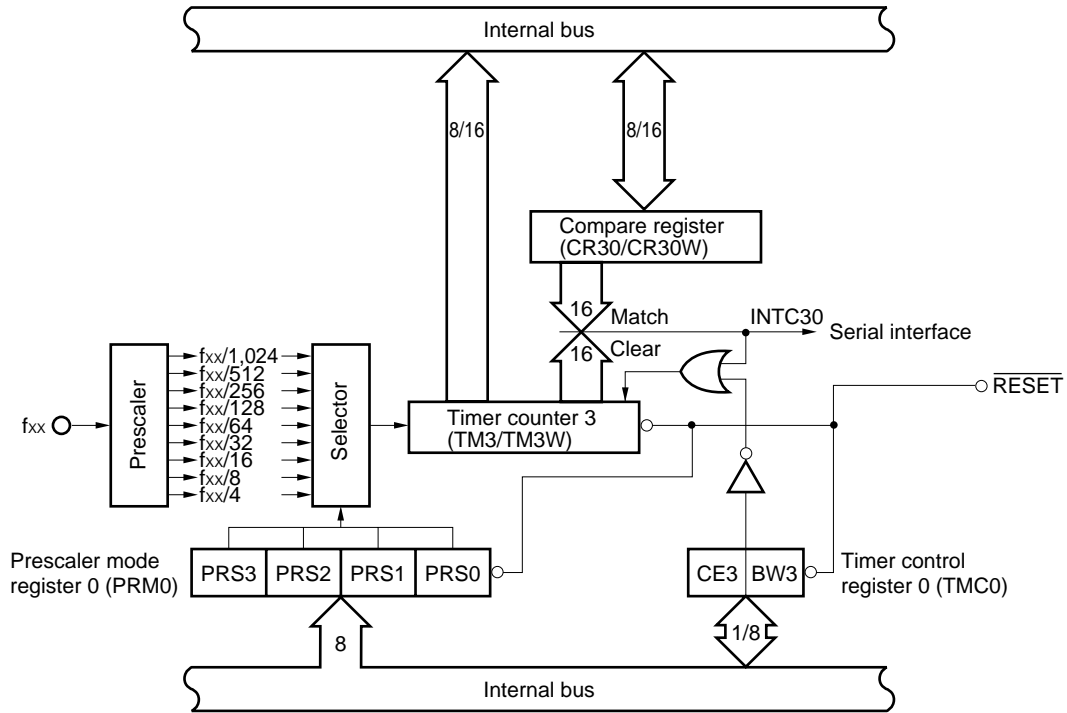
12.2 Configuration

Timer 3 consists of the following registers:

- Timer counter (TM3/TM3W) × 1
- Compare register (CR30/CR30W) × 1

The block diagram of timer 3 is shown in Figure 12-1.

Figure 12-1. Timer 3 Block Diagram



(1) Timer counter 3 (TM3/TM3W)

TM3/TM3W is a timer counter that count up using the count clock specified by the high-order 4 bits of prescaler mode register 0 (PRM0).

The count operation is stopped or enabled by the timer control register 0 (TMC0). In addition, an 8-bit mode (TM3) or 16-bit mode (TM3W) can be selected.

TM3 can be read only with an 8/16-bit manipulation instruction.

When $\overline{\text{RESET}}$ is input, TM3 is cleared to 00H and the count is stopped.

(2) Compare register (CR30/CR30W)

CR30/CR30W is an 8/16-bit register that hold the value that determines the interval timer frequency.

If the CR30/CR30W contents match the contents of TM3/TM3W, the contents of TM3/TM3W is cleared automatically and an interrupt request (INTC30) is generated.

This compare register operates as CR30 in the 8-bit mode and CR30W in the 16-bit mode.

CR30 can be read or written to with an 8/16-bit manipulation instruction. The contents of CR30 are undefined after $\overline{\text{RESET}}$ input.

(3) Prescaler

The prescaler generates the count clock from the internal system clock. The clock generated by the prescaler is selected by the selector, and is used as the count clock by TM3/TM3W to perform count operations.

(4) Selector

The selector selects a signal resulting from dividing the internal clock or the edge detected by the edge detection circuit as the count clock of TM3/TM3W.

12.3 Timer 3 Control Registers

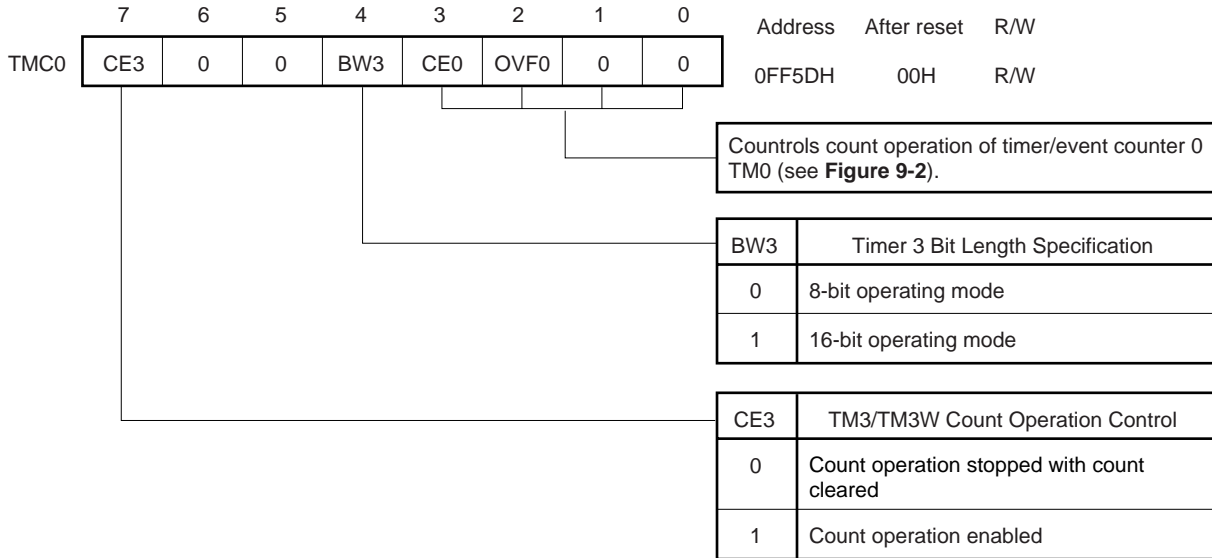
(1) Timer control register 0 (TMC0)

TMC0 controls the timer 3 timer counter 3 (TM3/TM3W) count operation by the high-order 4 bits (the low-order 4 bits control the count operation of timer/event counter 0 TM0).

TMC0 can be read or written to with an 8-bit manipulation instruction. The format of TMC0 is shown in Figure 12-2.

RESET input clears TMC0 to 00H.

Figure 12-2. Timer Control Register 0 (TMC0) Format



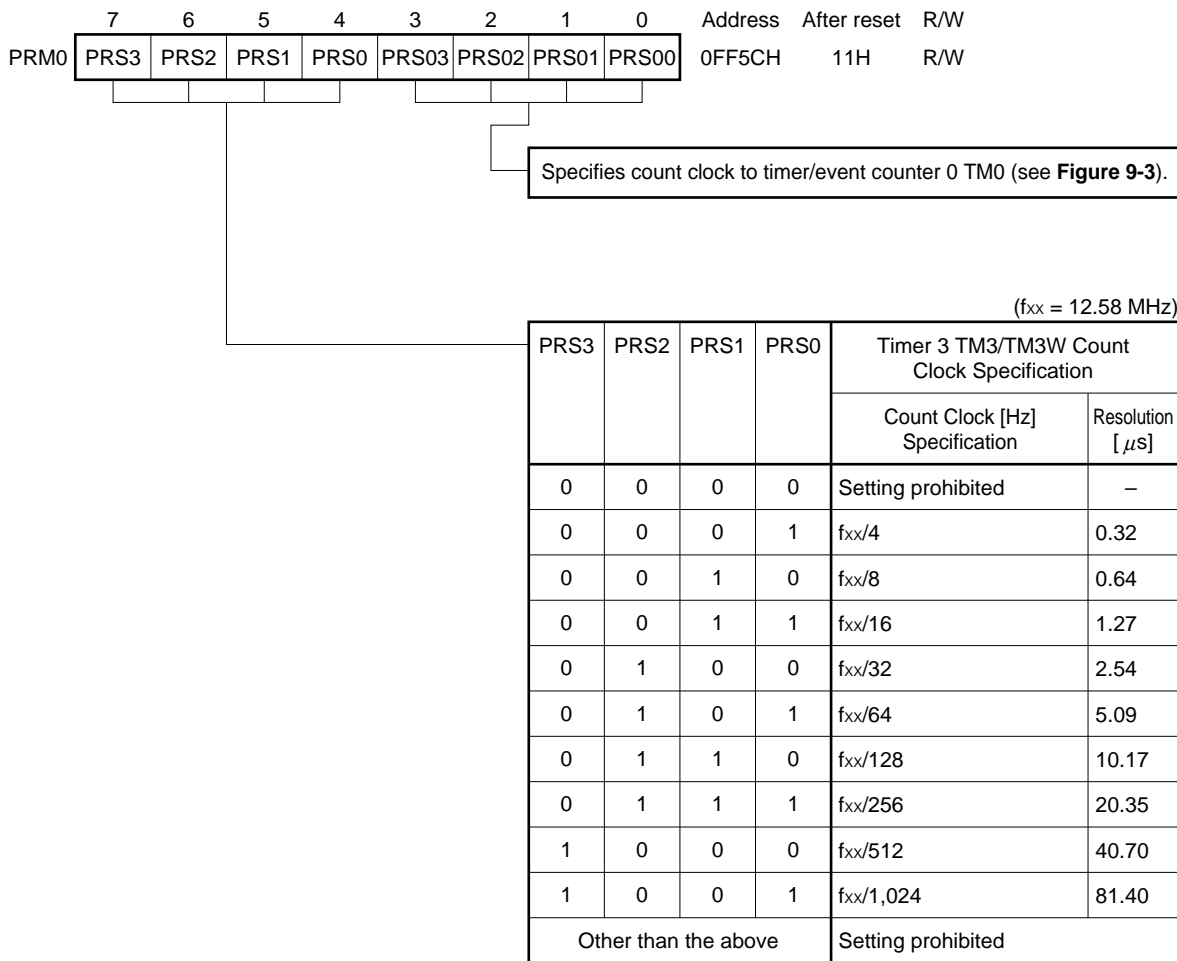
(2) Prescaler mode register 0 (PRM0)

PRM0 specifies the count clock to timer 3 timer counter 3 (TM3/TM3W) by the high-order 4 bits (the low-order 4 bits specify the count clock to timer/event counter 0 TM0).

PRM0 can be read and written with an 8-bit manipulation instruction. The format of the PRM0 is shown in Figure 12-3.

$\overline{\text{RESET}}$ input sets PRM0 to 11H.

Figure 12-3. Prescaler Mode Register 0 (PRM0) Format



12.4 Timer Counter 3 (TM3) Operation

12.4.1 Basic operation

Timer 3 can operate in an 8-bit or 16-bit mode. These operation modes are selected by bit 4 (BW3) of timer control register 0 (TMC0)^{Note}.

In the timer 3 count operation, the count-up is performed using the count clock specified by the high-order 4 bits of prescaler mode register 0 (PRM0).

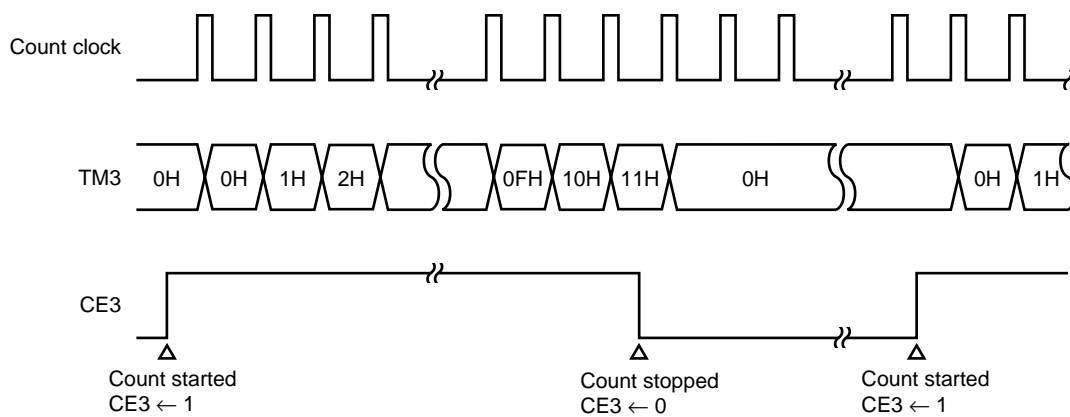
When $\overline{\text{RESET}}$ is input, timer counter 3 (TM3) is cleared to 0000H, and the count operation is stopped.

Count operation enabling/disabling is controlled by bit 7 (CE3) of timer control register 0 (TMC0) (the high-order 4 bits of TMC0 control timer 3 operation). When the CE3 bit is set (to 1) by software, the contents of TM3 are immediately cleared on the first count clock, and then the count-up operation is performed. When the CE3 bit is cleared (to 0), TM3 becomes 0H immediately, and match signal generation is stopped. If the CE3 bit is set (to 1) again when it is already set (to 1), TM3 continues the count operation without being cleared.

Note Unless there functional differences are found, the register names in the 8-bit mode are used. In the 16-bit mode, the register names TM3 and CR30 are TM3W and CR30W, respectively.

Figure 12-4. Basic Operation in 8-Bit Operation Mode (BW3 = 0)

(a) Count started → count stopped → count started



(b) When "1" is written to the CE3 bit again after the count starts

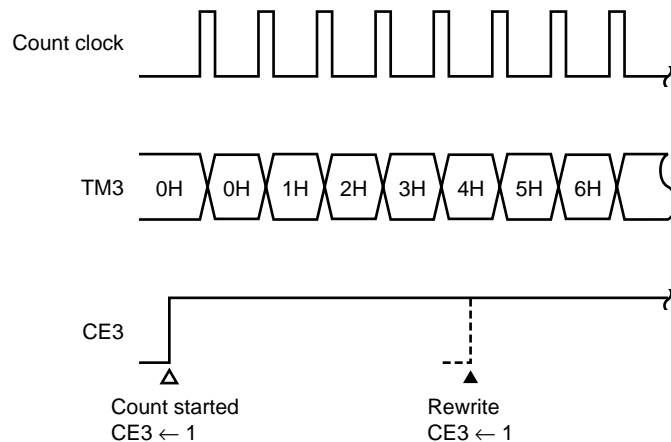
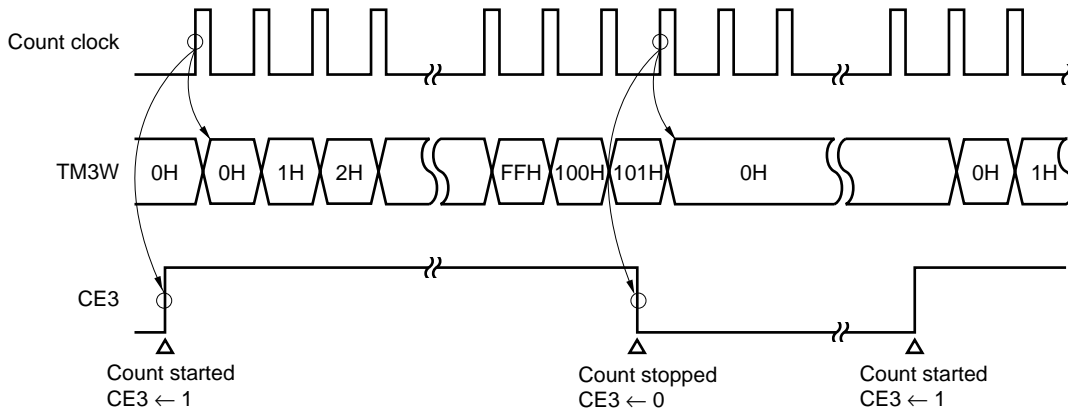
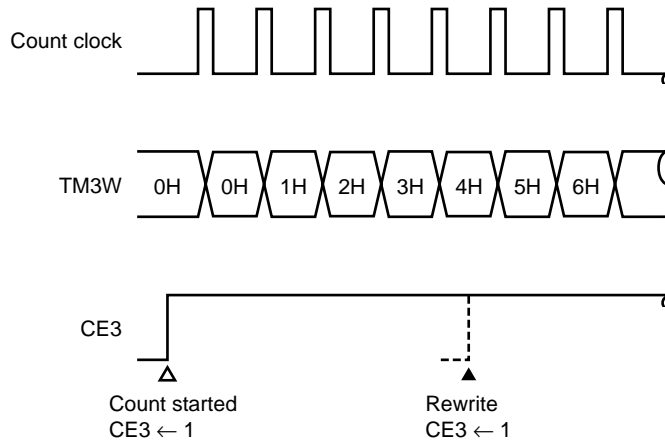


Figure 12-5. Basic Operation in 16-Bit Operation Mode (BW3 = 1)

(a) Count started → count stopped → count started



(b) When “1” is written to the CE3 bit again after the count starts

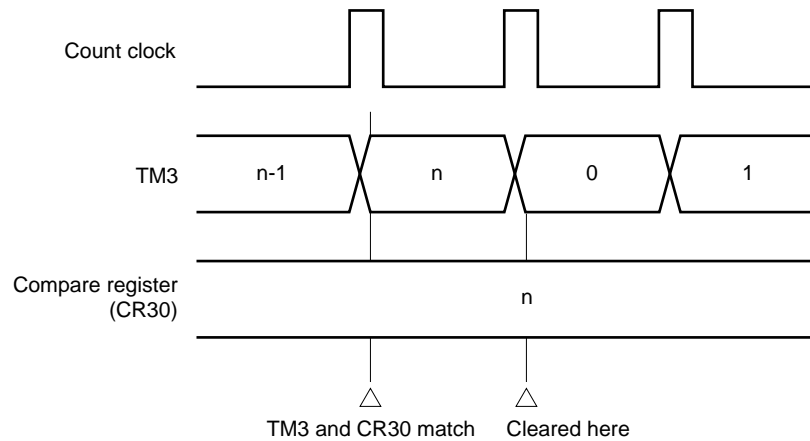


12.4.2 Clear operation

(1) Clear operation by match with compare register (CR30)

Timer counter 3 (TM3) is cleared automatically after a match with the compare register (CR30). When a clearance source arises, TM3 is cleared to 0H on the next count clock. Therefore, even if a clearance source arises, the value at the point at which the clearance source arose is retained until the next count clock arrives.

Figure 12-6. TM3 Clearance by Match with Compare Register (CR30)

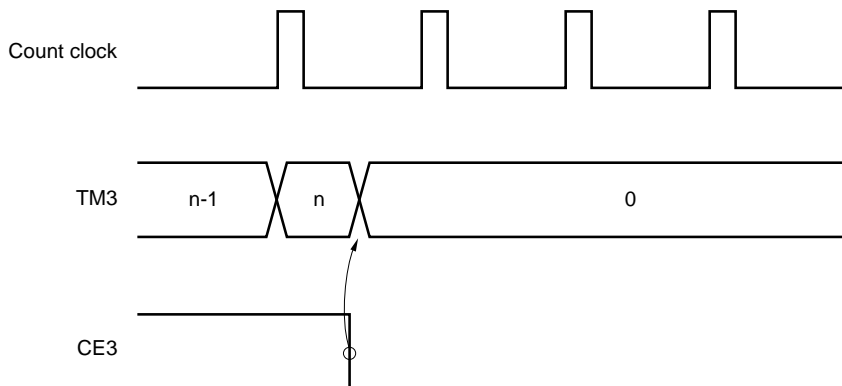


(2) Clear operation by CE3 bit of timer control register 0 (TMC0)

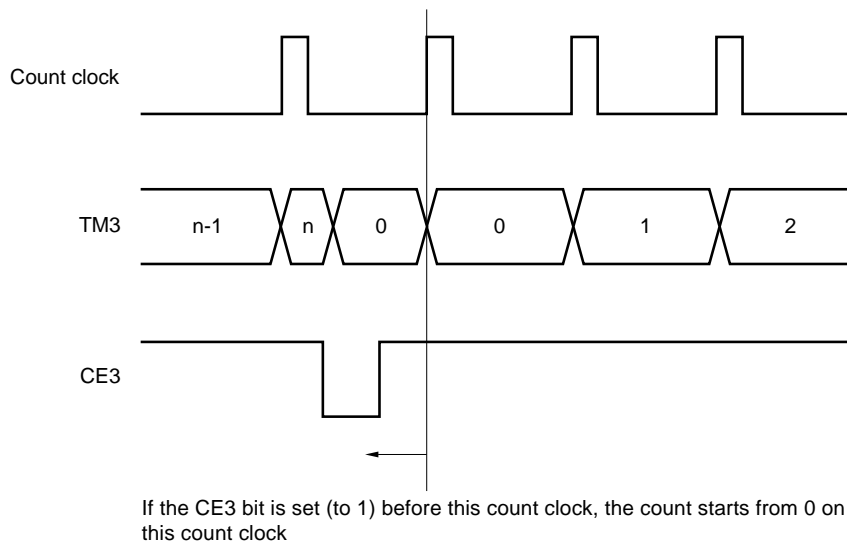
TM3 is also cleared when the CE3 bit of TMC0 is cleared (to 0) by software. The clear operation is performed following clearance (to 0) of the CE3 bit in the same way.

Figure 12-7. Clear Operation when CE3 Bit is Cleared (0)

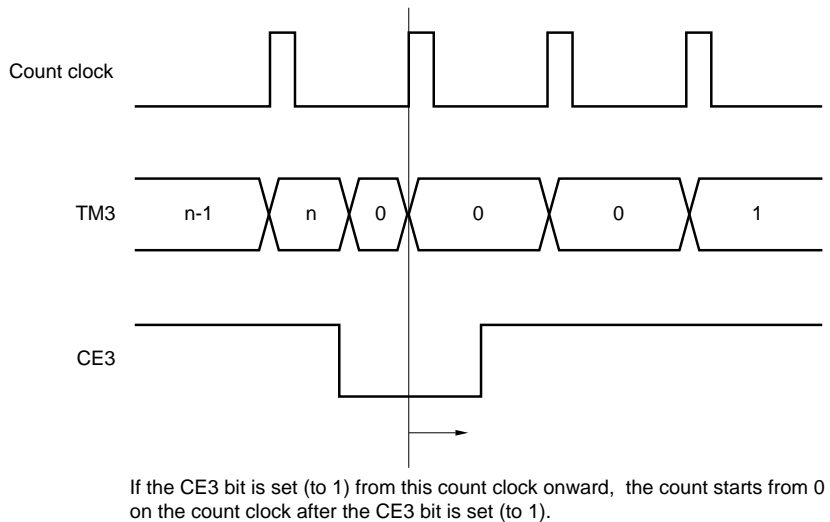
(a) Basic operation



(b) Restart before count clock is input after clearance



(c) Restart when count clock is input after clearance



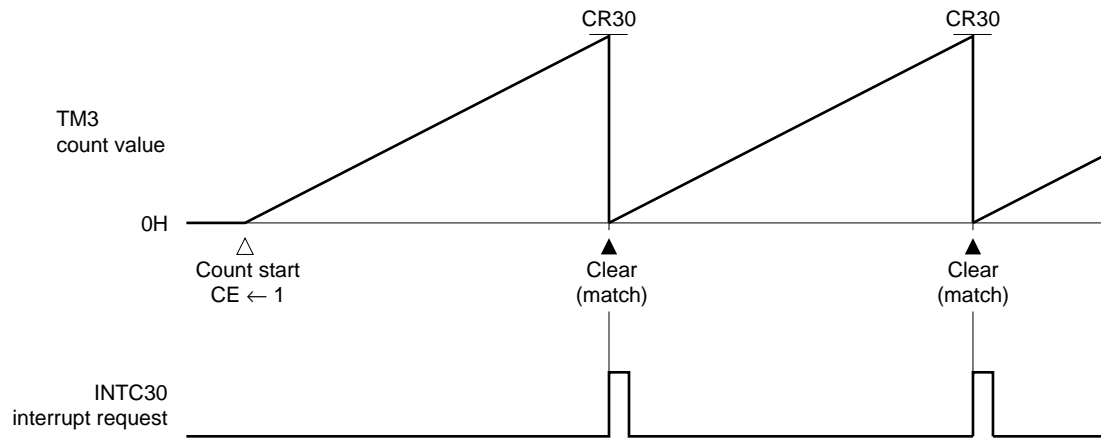
12.5 Compare Register Operation

Timer 3 performs compare operations in which the value set in the compare register (CR30) is compared with the timer counter 3 (TM3) count value.

If the count value of TM3 matches the preset CR30 value as the result of the count operation, an interrupt request (INTC30) is generated.

After a match, the TM3 contents are cleared automatically, and therefore TM3 functions as an interval timer that repeatedly counts up to the value set in the CR30.

Figure 12-8. Compare Operation



12.6 Example of Use

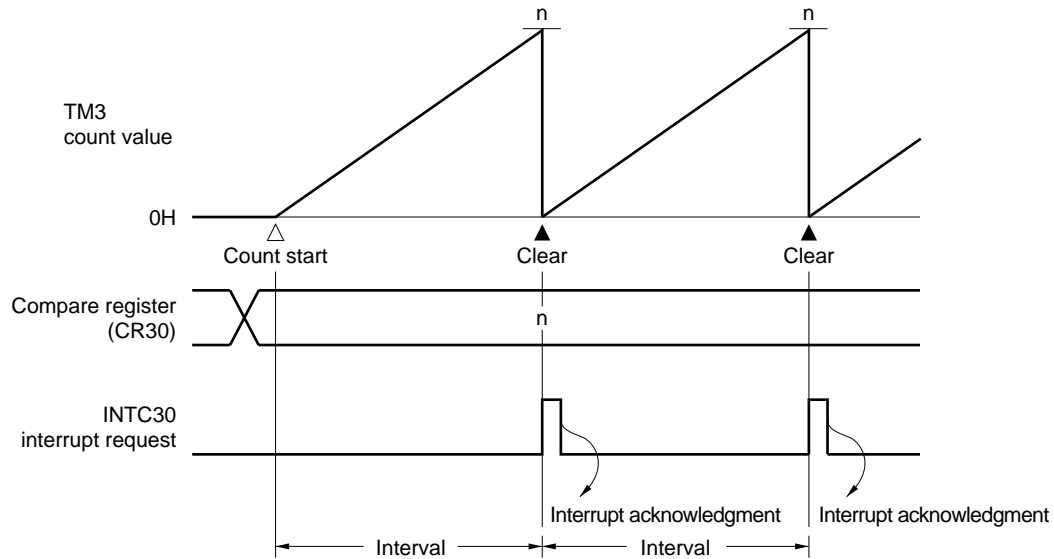
Operation as interval timer:

TM3 operates as an interval timer that generates interrupts repeatedly with the preset count time as the interval (see **Figure 12-9**). TM3 can also be used for baud rate generation.

This interval timer can count up to a maximum of 20.85 ms at the minimum resolution of 0.32 μs , and up to 5.33 s at the maximum resolution of 81.40 μs (internal system clock $f_{xx} = 12.58 \text{ MHz}$).

The control register settings are shown in Figure 12-10, and the setting procedure in Figure 12-11.

Figure 12-9. Interval Timer Operation Timing



Remark Interval = $(n+1) \times x/f_{xx}$

$$0 \leq n \leq \text{FFH}, x = 4, 8, 16, 32, 64, 128, 256, 512, 1,024$$

Figure 12-10. Control Register Settings for Interval Timer Operation

Prescaler mode register 0 (PRM0)

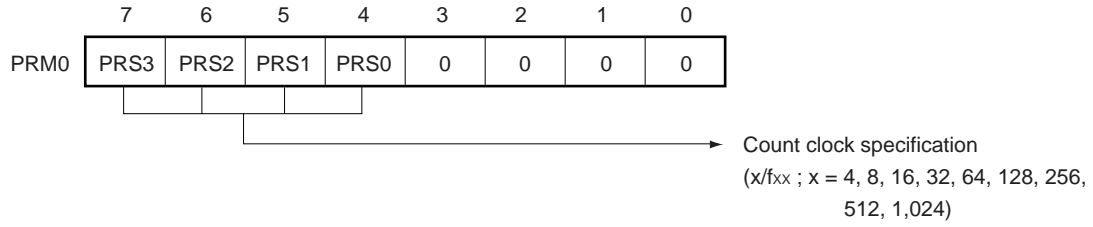
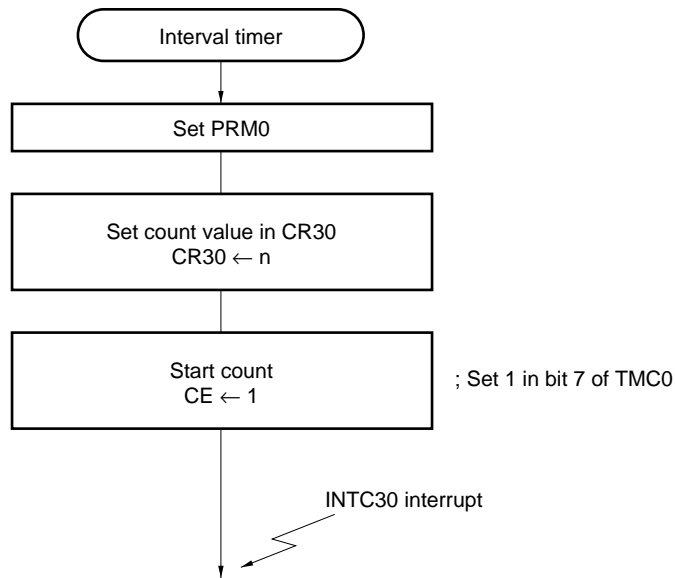


Figure 12-11. Interval Timer Operation Setting Procedure



12.7 Cautions

(1) There is a possibility of malfunction if the next register contents are rewritten while the timer 3 is operating (when the CE3 bit of the timer control register 0 (TMC0) is set). The malfunction occurs as there is no defined order of priority in the event of contention between the timings at which the hardware function changes due to a register rewrite and the status changes in the function prior to the rewrite.

When the contents of the following register are rewritten, counter operations must be stopped first to ensure stability.

- Prescaler mode register 0 (PRM0)

(2) If the compare register (CR30) and timer counter 3 (TM3) contents match when an instruction that stops TM3 operation is executed, the TM3 count operation stops, but an interrupt request is generated.

If you do not want an interrupt to be generated when TM3 operation is stopped, interrupts should be masked by means of interrupt the mask register before stopping the TM3.

Example

Program in which an interrupt request may be generated

```

:
CLR1 CE3
:
SET1 CMK30 ← Interrupt request generated by timer 3 here
:

```

Program in which an interrupt request is not generated

```

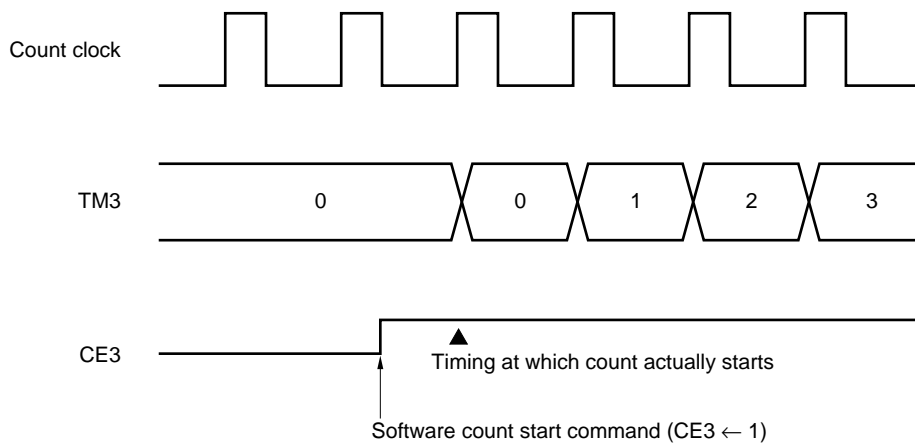
:
SET1 CMK30 ← Disables interrupts from timer 3
CLR1 CE3
CLR1 CIF30 ← Clears timer 3 interrupt request flag
:

```

(3) There is a delay of up to one count clock between the operation that starts a timer 3 (CE3 ← 1) and the actual start of the timer 3 (see **Figure 12-12**).

For example, if a timer 3 is used as an interval timer, the first interval will be extended by up to one clock. The second and subsequent intervals will be as specified.

Figure 12-12. Operation when Counting is Started



- (4) While an instruction that writes data to the compare register (CR30) is executed, match between CR30, to which the data is to be written, and timer counter 3 (TM3) is not detected.

Write data to CR30 when timer 3 is executing count operation so that the contents of TM3 do not match the value of CR30 before and after writing (e.g., immediately after an interrupt request has been generated because TM3 and CR30 have matched).

- (5) Match between TM3 and compare register (CR30) is detected only when TM3 is incremented. Therefore, the interrupt request is not generated even if the same value as TM3 is written to CR30.

CHAPTER 13 WATCHDOG TIMER

The watchdog timer is a timer that detects inadvertent program loops.

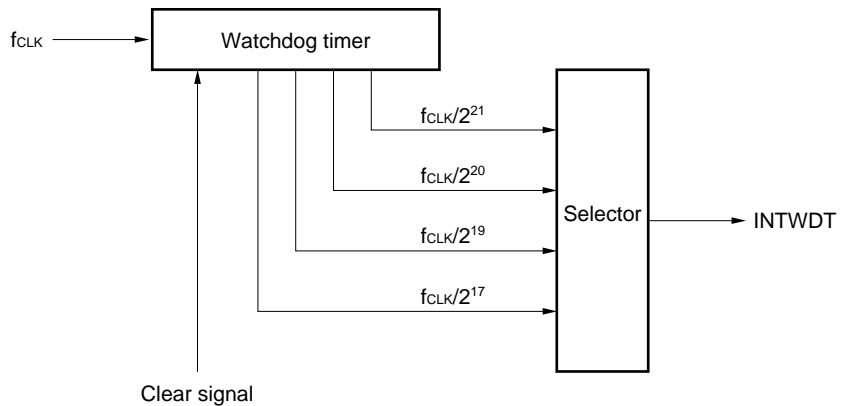
Watchdog timer interrupts are used to detect system or program errors. For this purpose, instructions that clear the watchdog timer (start the count) within a given period are inserted at various places in a program.

If an instruction that clears the watchdog timer is not executed within the set time and the watchdog timer overflows, a watchdog timer interrupt (INTWDT) is generated and a program error is reported.

13.1 Configuration

The watchdog timer block diagram is shown in Figure 13-1.

Figure 13-1. Watchdog Timer Block Diagram



13.2 Watchdog Timer Mode Register (WDM)

WDM is an 8-bit register that controls the watchdog timer operation.

To prevent erroneous clearing of the watchdog timer by an inadvertent program loop, writing can only be performed by a dedicated instruction. This dedicated instruction, MOV WDM, #byte, has a special code configuration (4 bytes), and a write is not performed unless the 3rd and 4th bytes of the operation code are mutual complements of 1.

If the 3rd and 4th bytes of the operation code are not mutual complements of 1, a write is not performed and an operand error interrupt is generated. In this case, the return address saved in the stack area is the address of the instruction that was the source of the error, and thus the address that was the source of the error can be identified from the return address saved in the stack area.

If recovery from an operand error is simply performed by means of an RETB instruction, an endless loop will result.

As an operand error interrupt is only generated in the event of an inadvertent program loop (with the NEC assembler, RA78K4, only the correct dedicated instruction is generated when MOV WDM, #byte is written), system initialization should be performed by the program.

Other write instructions (MOV WDM, A, AND WDM, #byte, SET1 WDM.7, etc.) are ignored and do not perform any operation. That is, a write is not performed to the WDM, and an interrupt such as an operand error interrupt is not generated.

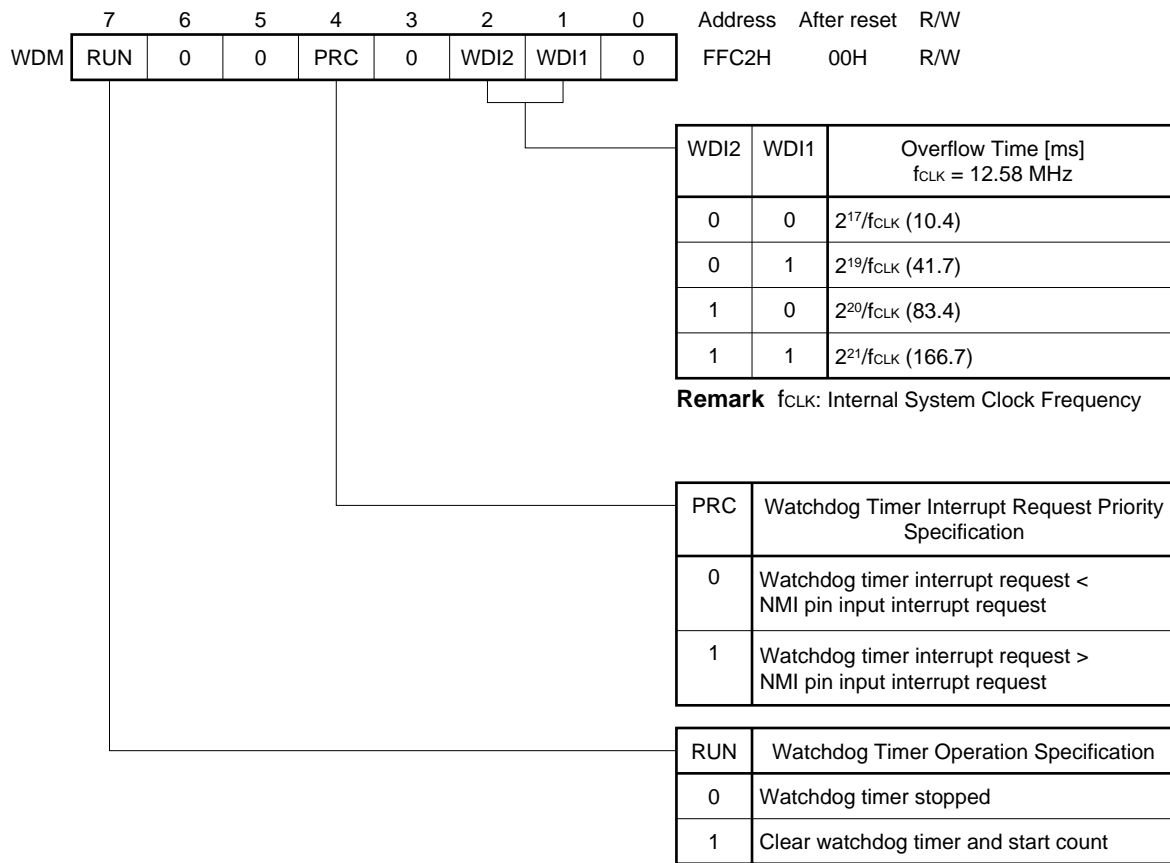
After a system reset ($\overline{\text{RESET}}$ input), once the watchdog timer has been started (by setting (to 1) the RUN bit), the WDM contents cannot be changed. The watchdog timer can only be stopped by a reset, but can be cleared at any time with a dedicated instruction.

WDM can be read at any time by a data transfer instruction.

$\overline{\text{RESET}}$ input clears WDM to 00H.

The WDM format is shown in Figure 13-2.

Figure 13-2. Watchdog Timer Mode Register (WDM) Format



- Cautions**
1. The watchdog timer mode register (WDM) can only be written to with a dedicated instruction (MOV WDM, #byte).
 2. The same value should be written each time in writes to the WDM to set (to 1) the RUN bit. The contents written at the first time cannot be changed even if a different value is written.
 3. Once the RUN bit has been set (to 1), it cannot be reset (to 0) by software.

13.3 Operation

13.3.1 Count operation

The watchdog timer is cleared, and the count started, by setting (to 1) the RUN bit of the watchdog timer mode register (WDM). When overflow time specified by the WDM2 and WDM1 bits of WDM has elapsed after the RUN bit has been set (to 1), a non-maskable interrupt (INTWDT) is generated.

If the RUN bit is set (to 1) again before the overflow time elapses, the watchdog timer is cleared and the count operation is started again.

13.3.2 Interrupt priorities

The watchdog timer interrupt (INTWDT) is a non-maskable interrupt. Other non-maskable interrupts are interrupts from the NMI pin (NMI). The order of acknowledgment when an INTWDT interrupt and NMI interrupt are generated simultaneously can be specified by the setting of bit 4 of the watchdog timer mode register (WDM).

Even if INTWDT is generated while the NMI processing program is executed when NMI acknowledgement is specified to take precedence, INTWDT is not acknowledged until completion of execution of the NMI processing program.

13.4 Cautions

13.4.1 General cautions on use of watchdog timer

- (1) The watchdog timer is one means of detecting inadvertent program loops, but it cannot detect all inadvertent program loops. Therefore, in equipment that requires a high level of reliability, you should not rely on the on-chip watchdog timer alone, but should use external circuitry for early detection of inadvertent program loops, to enable processing to be performed that will restore the normal state or establish a stable state and then stop the operation.
- (2) The watchdog timer cannot detect inadvertent program loops in the following cases.
 - <1> If watchdog timer clearance is performed in the timer interrupt service program
 - <2> If cases where an interrupt request or macro service is held pending (see **23.9**) occur consecutively
 - <3> If the watchdog timer is cleared periodically when inadvertent program looping is due to an error in the program logic (if each module of the program functions normally but the overall program does not)
 - <4> If the watchdog timer is periodically cleared by a group of instructions executed when an inadvertent program loop occurs
 - <5> If the STOP mode or IDLE mode is entered as the result of an inadvertent program loop
 - <6> If watchdog timer inadvertent program loop also occurs in the event of CPU inadvertent program loop due to external noise

In cases <1>, <2>, and <3> the program can be amended to allow detection to be performed.

In case <4>, the watchdog timer can only be cleared by a 4-byte dedicated instruction. Similarly, in case <5>, the STOP mode or IDLE mode cannot be set unless a 4-byte dedicated instruction is used. For state <2> to be entered as the result of an inadvertent program loop, 3 or more consecutive bytes of data must comprise a specific pattern (e.g. BT PSQL.bit, \$\$, etc.). Therefore, the establishment of state <2> as the result of <4>, <5> or an inadvertent program loop is likely to be extremely rare.

13.4.2 Cautions on μ PD784938 Subseries watchdog timer

- (1) The watchdog timer mode register (WDM) can only be written to with a dedicated instruction (MOV WDM, #byte).
- (2) The same value should be written each time in writes to the watchdog timer mode register (WDM) to set (to 1) the RUN bit. The contents written at the first time cannot be changed even if a different value is written.
- (3) Once the RUN bit has been set (to 1), it cannot be reset (to 0) by software.

CHAPTER 14 WATCH TIMER

Two types of count clocks can be input to the watch timer: main clock (12.58 MHz (MAX.)) and watch clock (32.768 kHz). These count clocks can be selected by the control register. The watch clock is input only to the watch timer, and not to the CPU and other peripheral circuits. Therefore, the operating speed of the CPU cannot be slowed down by using the watch clock.

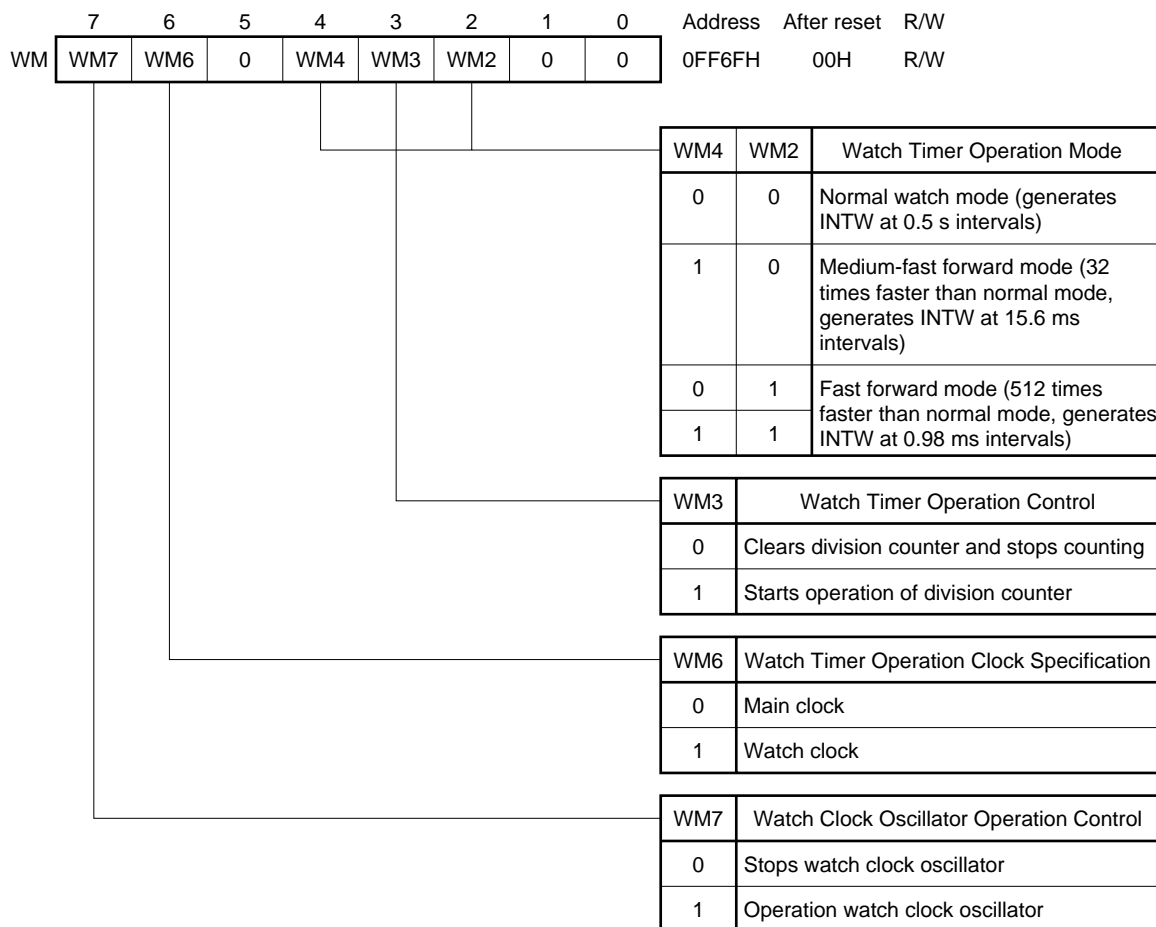
The watch timer generates an interrupt signal with a 0.5-second interval (INTW) by dividing the count clock. At the same time, it also sets an interrupt request flag (WIF: bit 7 of interrupt control register (WIC)).

The INTW generation interval can be changed to about 1 ms by changing the mode (fast forward mode: 512 times faster than the normal mode). Also, the INTW generation interval can be set to 15.6 ms.

When the main clock is selected as the count clock, the watch timer stops at standby in STOP mode. However, it continues operating in the IDLE and HALT modes. When the watch clock is selected as the count clock, the watch timer can continue operating in any standby mode (it means any of STOP, IDLE, and HALT modes). The operation of the watch clock oscillator is controlled by the watch timer mode register (WM).

Figure 14-1 shows the format of WM.

Figure 14-1. Watch Timer Mode Register (WM) Format



Caution The time from when the watch timer is started up until the first INTW occurs is less than 0.5 seconds. This time becomes 0.5 seconds from the second and subsequent INTW occurrences.

The watch timer of the μ PD784938 does not have a buzzer output function.

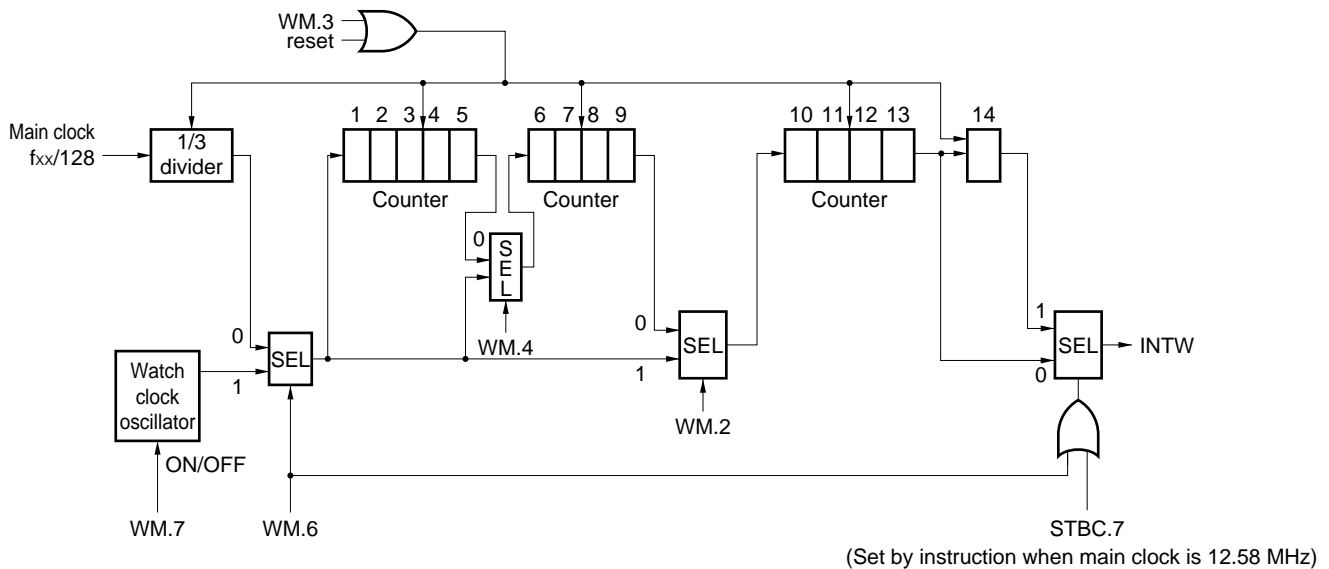
Table 14-1. Relation between Count Clock and Watch Timer Operation

Count Clock Selection	Normal Operation Mode	Type of Standby Mode		
		HALT mode	STOP mode	IDLE mode
Main clock	Operable	Operable	Stopped	Operable ^{Note}
Watch clock	Operable	Operable	Operable	Operable

Note When bit 3 (WM3) of the watch timer mode register (WM) is set to “1” and bit 6 (WM6) of the same register is set to “0”, main clock operation in the IDLE mode is enabled.

The watch timer consists of a divider circuit that divides the count clock by three, and a counter that divides the output signal of the divider circuit by 2^{14} . As the count clock, select the signal obtained by dividing the internal system clock by 128, or the signal from the watch clock oscillator.

Figure 14-2. Block Diagram of Watch Timer



Caution The interval until the first INTW is generated is not 0.5 second after the operation has been enabled.

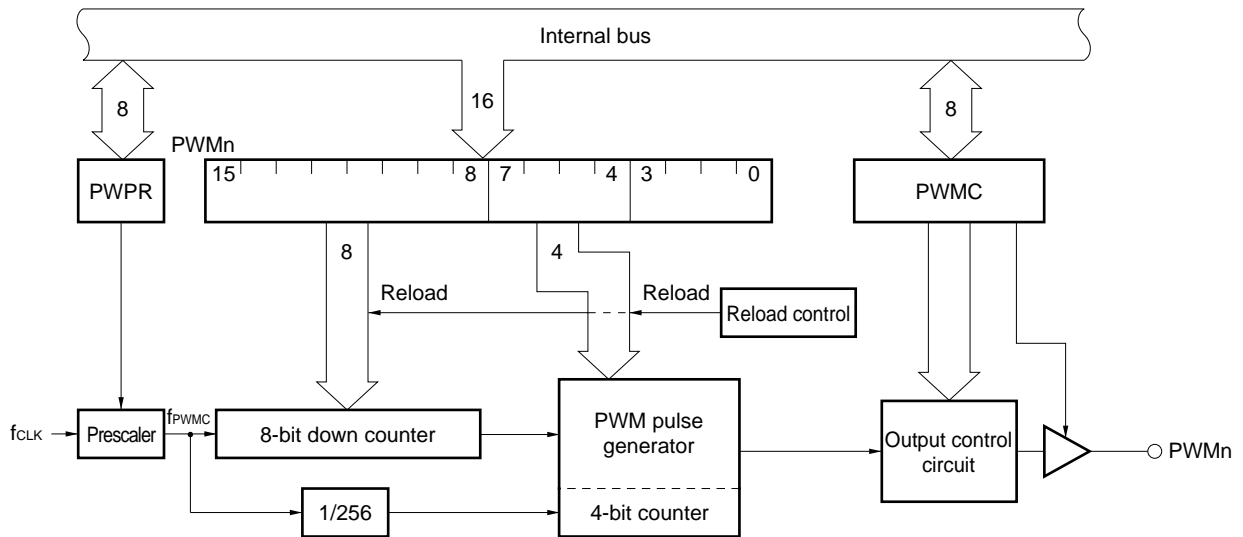
CHAPTER 15 PWM OUTPUT UNIT

The μ PD784938 incorporates two 12-bit resolution PWM (pulse width modulation) output circuit channels. The active level of the PWM output pulses can be selected as high or low. The PWM output ports consist of dedicated pins.

15.1 PWM Output Unit Configuration

The PWM output unit configuration is shown in Figure 15-1.

Figure 15-1. PWM Output Unit Configuration



Remark $n = 0, 1$

(1) 8-bit down counter

Generates the basic PWM signal timing.

(2) PWM pulse generator (including 4-bit counter)

Controls addition of extra pulses and generates the PWM pulses to be output.

(3) Reload control

Controls 8-bit down counter and 4-bit count modulo value reloading.

(4) Output control circuit

Controls the active level of the PWM signal.

(5) Prescaler

Scales f_{CLK} , and generates the reference clock.

15.2 PWM Output Unit Control Registers

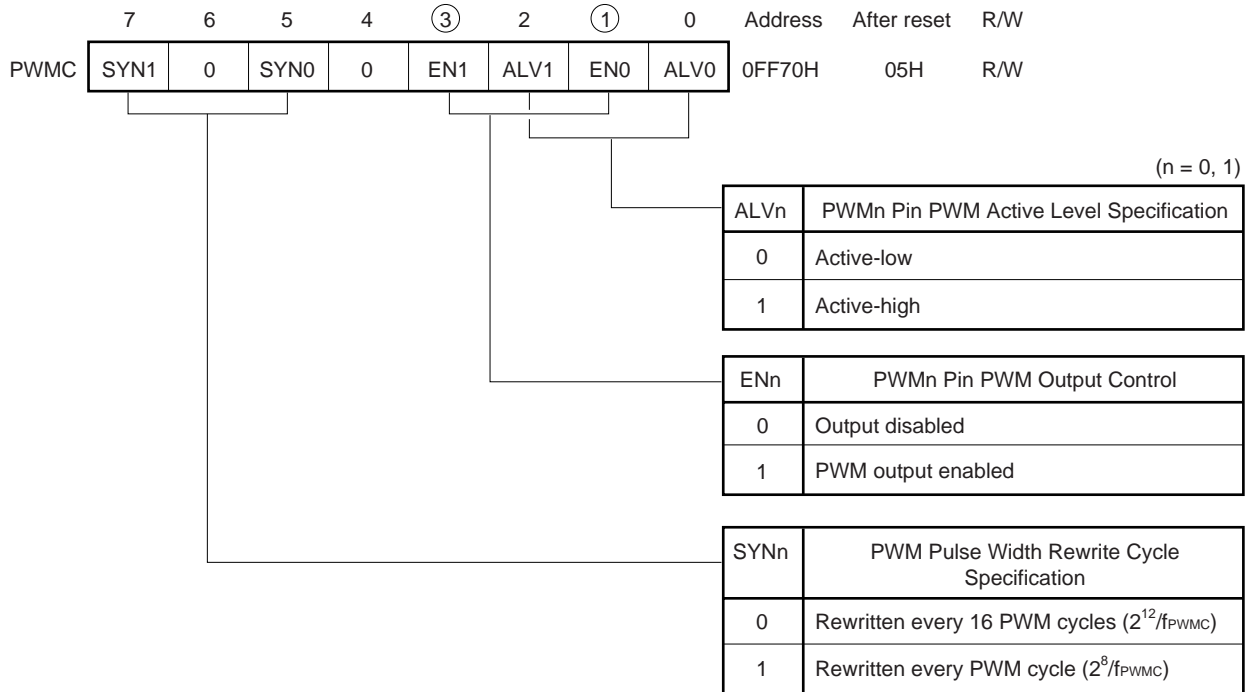
15.2.1 PWM control register (PWMC)

PWMC is an 8-bit register that controls the operating status of the PWM output pins (PWMn: n = 0, 1).

PWMC can be read or written to with an 8-bit manipulation instruction or bit manipulation instruction. Its format is shown in Figure 15-2.

When RESET is input, PWMC is set to 05H, the PWMn pin is disabled from outputting signals.

Figure 15-2. PWM Control Register (PWMC) Format



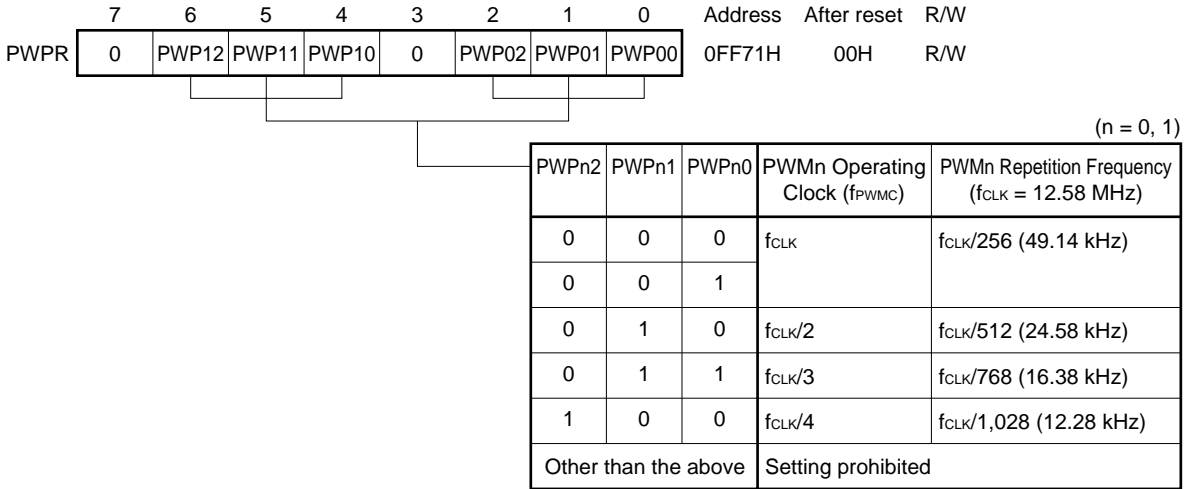
15.2.2 PWM prescaler register (PWPR)

PWPR is an 8-bit register that selects the PWM output circuit operating clock (f_{PWM}).

PWPR can be read or written to with an 8-bit manipulation instruction. Its format is shown in Figure 15-3.

When \overline{RESET} is input, PWPR is cleared to 00H, and f_{CLK} is selected as f_{PWM} for both channels.

Figure 15-3. PWM Prescaler Register (PWPR) Format



15.2.3 PWM modulo registers (PWM0, PWM1)

The PWM modulo register (PWMn: n = 0, 1) is a 16-bit register that determines the PWM pulse width. Reads/writes by a 16-bit manipulation instruction are possible for data setting.

The contents of bits 4 to 15 of the PWMn determines the 12-bit PWM pulse width (12-bit resolution). Bits 3 to 0 have no meaning, and PWM output is not affected whether 1 or 0 is written to these bits.

When \overline{RESET} is input, the PWMn content are undefined, and therefore data must be set by the program before PWM output is enabled.

Caution A value between 0000H and 00FFH should not be set in the PWM modulo registers (PWMn: n = 0, 1). A value between 0100H and FFFFH should be set in the PWMn registers. The PWM signal duty values that can be output are 17/4,096 to 4,096/4,096.

15.3 PWM Output Unit Operation

15.3.1 Basic PWM output operation

The PWM pulse output duty is determined by the value set in bits 4 to 15 of the PWM modulo register (PWMn: n = 0, 1) as shown below.

$$\text{PWM pulse output duty} = \frac{(\text{Value of PWMn bits 4 to 15})^{\text{Note}} + 1}{4,096}$$

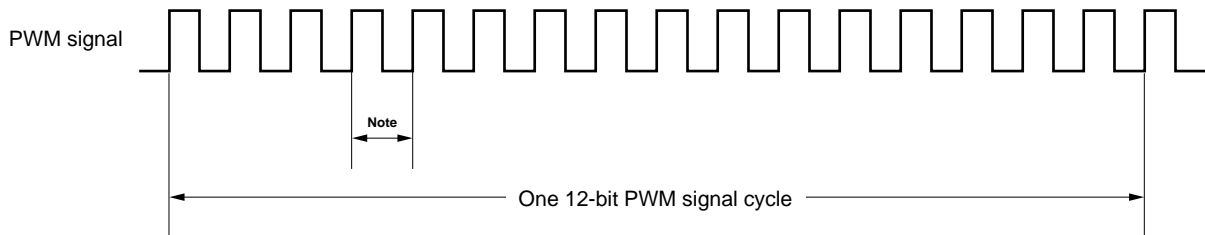
Note $16 \leq (\text{Value of PWMn bits 4 to 15}) \leq 4095$

The PWM pulse output repetition frequency is the frequency obtained by division-by-256 of the PWM clock $f_{\text{CLK}}/1$ to $f_{\text{CLK}}/4$ set by the PWM prescaler register (PWPR) ($=f_{\text{PWM}}/256$), and the minimum pulse width is $1/f_{\text{PWM}}$.

In PWM pulse output, 12-bit resolution is achieved by repeating output of a $f_{\text{PWM}}/256$ repetition frequency 8-bit resolution PWM signal 16 times.

The addition of extra pulses ($1/f_{\text{PWM}}$) to the 8-bit resolution PWM pulses determined by bits 8 to 15 of the PWMn every cycle is controlled in accordance with the value of bits 4 to 7 of the PWMn to implement a PWM pulse signal once every 16 cycles.

Figure 15-4. Basic PWM Output Operation



Note 8-bit resolution per PWM pulse cycle

15.3.2 PWM pulse output enabling/disabling

When PWM pulses are output, the ENn (n = 0, 1) bits of the PMC register are set (to 1) after data is set in the PWM prescaler register (PWPR) and PWM modulo register (PWMn: n = 0, 1). As a result, PWM pulses with the active level specified by ALVn (n = 0, 1) bit of the PWM control register (PWMC) are output from the PWM output pin.

When the ENn bits of the PWMC are cleared (to 0), the PWM output unit immediately stops the PWM output operation.

15.3.3 PWM pulse active level specification

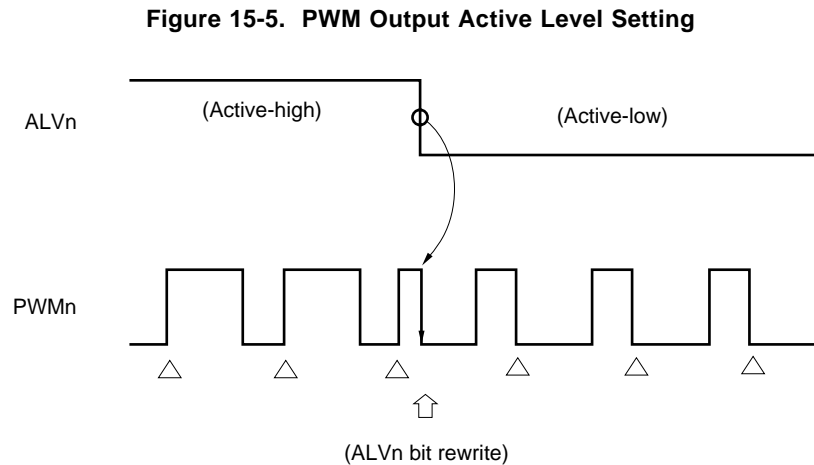
The ALVn (n = 0, 1) bit of the PWM control register (PWMC) specify the active level of PWM pulses output from the PWM output pins.

When ALVn bit is set (to 1), active-high level pulses are output, and when cleared (to 0), active-low level pulses are output.

When ALVn bit is rewritten, the PWM active level changes immediately. PWM output active level setting and pin states are shown in Figure 15-5.

Figure 15-5 shows the case where ALVn bit is switched when the ENn (n = 0, 1) bit of the PWMC is set (to 1) and PWM output is enabled.

The pin state does not change if ALVn is rewritten when ENn bit is in the cleared (to 0) state.



Remark ENn = 1 (n = 0, 1)

15.3.4 PWM pulse width rewrite cycle specification

The start of PWM output and pulse width changes are performed in synchronization either with every 16 PWM pulse cycles ($2^{12}/f_{PWM}$) or with every PWM pulse cycle ($2^8/f_{PWM}$). This PWM pulse width rewrite cycle specification is performed by means of the SYNn bits of the PWM control register (PWMC).

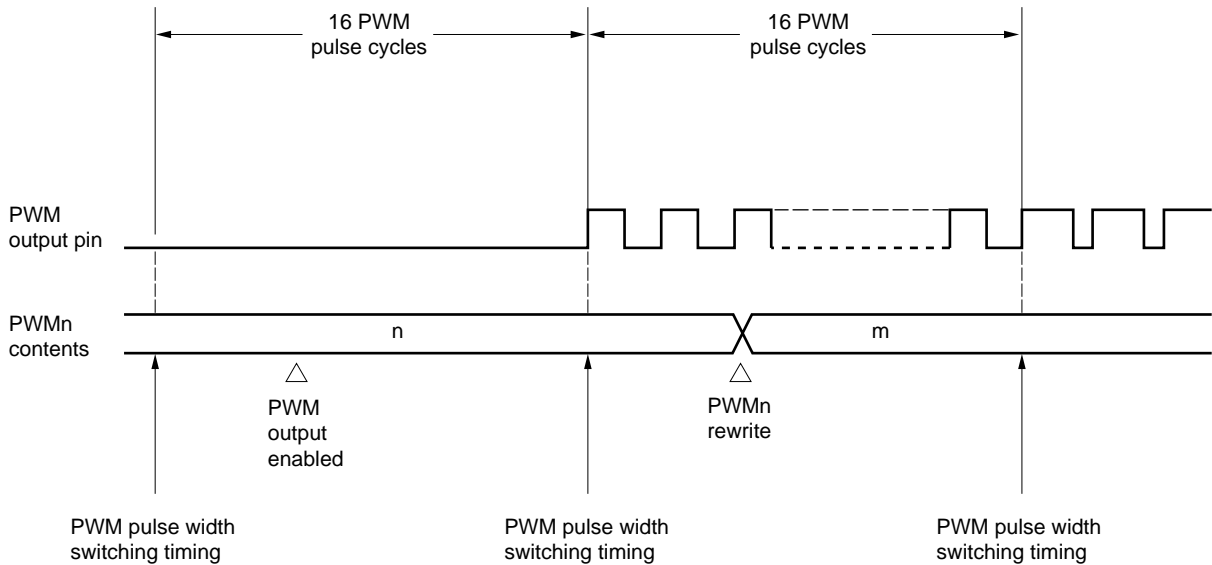
When the SYNn bit is cleared (to 0), a pulse width change is performed every 16 PWM pulse cycles ($2^{12}/f_{PWM}$). It therefore takes a maximum of 2^{12} clocks ($326 \mu\text{s}$ when $f_{PWM} = 12.58 \text{ MHz}$) until a pulse of a width corresponding to the data written in the PWM modulo register (PWMn: $n = 0, 1$) is output. An example of the PWM output timing at this time is shown in Figure 15-6.

When the SYNn bit is set (to 1), on the other hand, a pulse width change is performed every PWM pulse cycle ($2^8/f_{PWM}$). In this case, it takes a maximum of 2^8 clocks ($20.4 \mu\text{s}$ when $f_{PWM} = 12.58 \text{ MHz}$) until a pulse of a width corresponding to the data written in the PWMn is output.

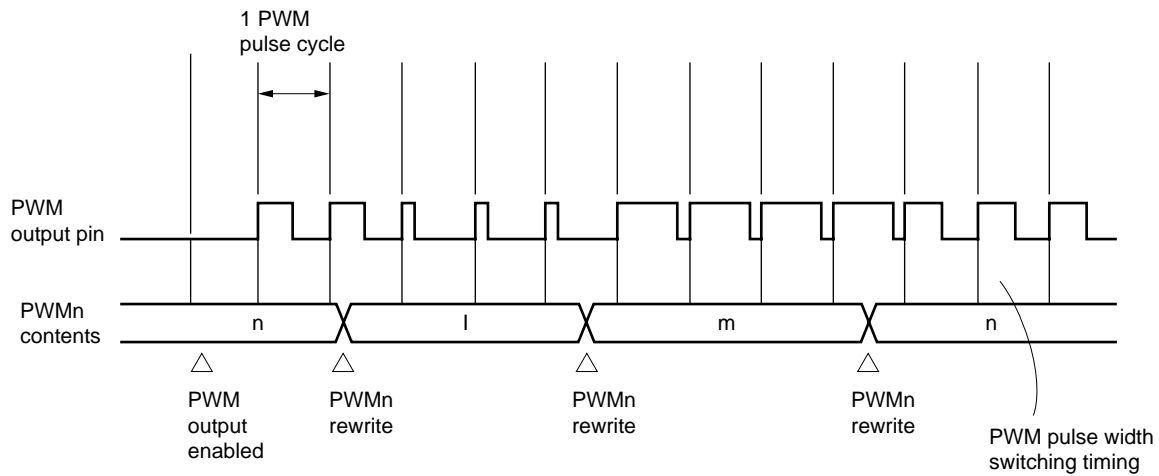
However, caution is required since, if the PWM pulse rewrite cycle is specified as every $2^8/f_{PWM}$, (if the SYNn bit is set (to 1)), the obtained PWM pulse precision is between 8 bits and 12 bits, and is lower than when the PWM pulse rewrite cycle is specified as $2^{12}/f_{PWM}$.

An example of the PWM output timing when the rewrite timing is $2^8/f_{PWM}$ is shown in Figure 15-7.

Figure 15-6. PWM Output Timing Example 1 (PWM pulse width rewrite cycle = $2^{12}/f_{PWM}$)



- Cautions**
1. Pulse width rewriting is performed every PWM pulse cycle.
 2. The PWM pulse precision is 12 bits.

Figure 15-7. PWM Output Timing Example 2 (PWM pulse width rewrite cycle = $2^3/f_{\text{PWM}}$)

- Cautions**
1. Pulse width rewriting is performed every PWM pulse cycle.
 2. The PWM pulse precision is between 8 and 12 bits.

Remark l , m , and n mean the PWMn contents.

15.4 Caution

A value between 0000H and 00FFH should not be set in the PWM modulo registers (PWMn: $n = 0, 1$). A value between 0100H and FFFFH should be set in the PWMn. The PWM signal duty values that can be output are 17/4,096 to 4,096/4,096.

CHAPTER 16 A/D CONVERTER

The μ PD784938 incorporates an analog/digital (A/D) converter with 8 multiplexed analog inputs (ANI0 to ANI7).

The successive approximation conversion method is used, and the conversion result is held in the 8-bit A/D conversion result register (ADCR). This allows fast, high-precision conversion to be performed.

There are two modes for starting A/D conversion, as follows:

- Hardware start: Conversion started by trigger input (INTP5).
- Software start: Conversion started in accordance with A/D converter mode register (ADM) bit setting.

After start-up, there are two operation modes, as follows:

- Scan mode: Multiple analog inputs are selected in order, and conversion data is obtained from all pins.
- Select mode: One pin is used as the analog input, and conversion values are obtained in succession.

Stoppage of all the above modes and conversion operations is specified by the ADM register.

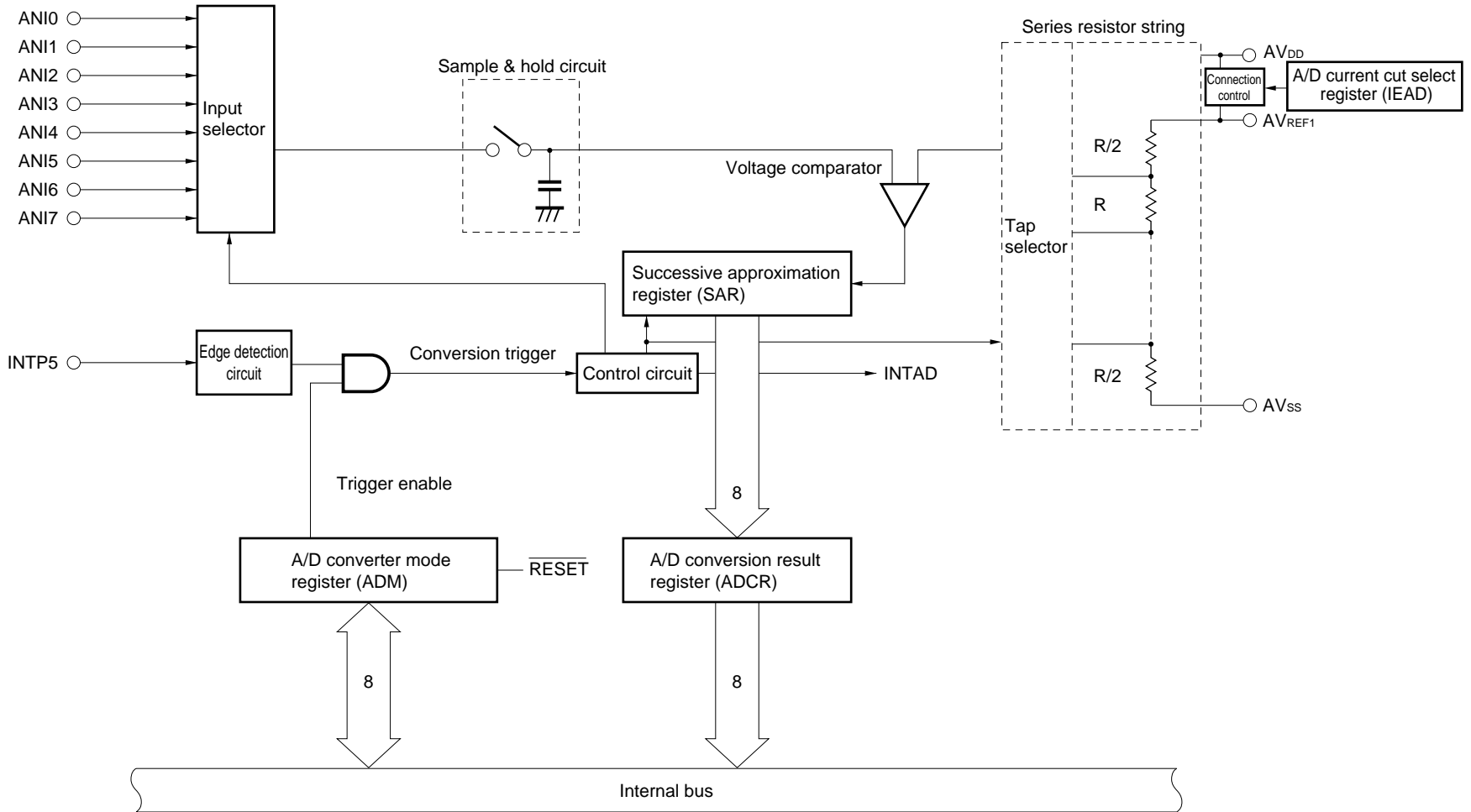
When the conversion result is transferred to the ADCR, an INTAD interrupt request is generated. This allows conversion values to be transferred to memory in succession by means of macro service.

- Cautions**
1. Apply a voltage same as the supply voltage (AV_{DD}) to the reference voltage input pin (AV_{REF1}) of this product.
 2. When port 7 is used for both output port and A/D input, do not write to output port during A/D conversion operations.

16.1 Configuration

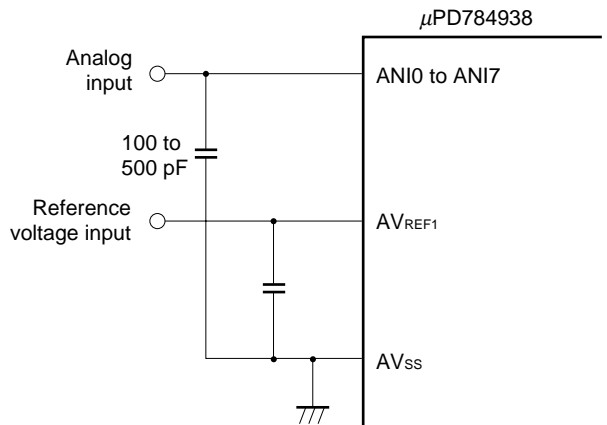
The A/D converter configuration is shown in Figure 16-1.

Figure 16-1. A/D Converter Block Diagram



- Cautions 1.** A capacitor should be connected between the analog input pins (ANI0 to ANI7) and AV_{SS}, and between the reference voltage input pin (AV_{REF1}) and AV_{SS} to prevent malfunction due to noise. Be sure to connect the capacitor as closely to ANI0 through ANI7 and AV_{REF1} as possible.

Figure 16-2. Example of Capacitor Connection on A/D Converter Pins



- 2.** A voltage outside the range AV_{SS} to AV_{REF1} should not be applied to pins used as A/D converter input pins. See 16.6 Cautions for details.

(1) Input circuit

The input circuit selects the analog input in accordance with the specification of the A/D converter mode register (ADM), and sends the analog input to the sample & hold circuit according to the operation mode,

(2) Sample & hold circuit

The sample & hold circuit samples the analog inputs arriving sequentially one by one and holds the analog input in the process of A/D conversion.

(3) Voltage comparator

The voltage comparator determines the voltage difference between the analog input and the series resistor string value tap.

(4) Series resistor string

The series resistor string is used to generate voltages that match the analog inputs.

The series resistor string is connected between the A/D converter reference voltage pin (AV_{REF1}) and the A/D converter GND pin (AV_{SS}). To provide 256 equal voltage steps between the two pins, it is made up of 255 equal resistors and two resistors with half that resistance value.

The series resistor string voltage tap is selected by a tap selector controlled by the SAR successive approximation register.

(5) SAR: Successive Approximation Register

SAR is an 8-bit register in which the data for which the series resistor string voltage tap value matches the analog input voltage value is set bit by bit starting from the most significant bit (MSB).

When data has been set up to the least significant bit (LSB) of the SAR (when A/D conversion is completed), the SAR contents (conversion result) are stored in the A/D conversion result register (ADCR).

(6) ADCR: A/D Conversion Result Register

ADCR is an 8-bit register that holds the A/D conversion result. The conversion result is loaded into this register from the successive approximation register (SAR) each time A/D conversion finishes.

The contents of this register approximation are undefined when $\overline{\text{RESET}}$ is input.

(7) Edge detection circuit

The edge detection circuit detects a valid edge from the interrupt request input pin (INTP5) input, and generates an external interrupt request signal (INTP5) and A/D conversion operation external trigger.

The INTP5 pin input valid edge is specified by external interrupt mode register 1 (INTM1) (see **Figure 22-2**). External trigger enabling/disabling is set by means of the A/D converter mode register (ADM) (see **16.2 A/D Converter Mode Register (ADM)**).

16.2 A/D Converter Mode Register (ADM)

ADM is an 8-bit register that controls A/D converter operations.

ADM register can be read or written to with an 8-bit manipulation instruction or bit manipulation instruction. Its format is shown in Figure 16-3.

Bit 0 (MS) controls the operation mode.

Bits 1, 2, and 3 (ANI0, 1, 2) select the analog inputs for A/D conversion.

Bit 5 (SCMD) controls the A/D conversion operation in scan mode.

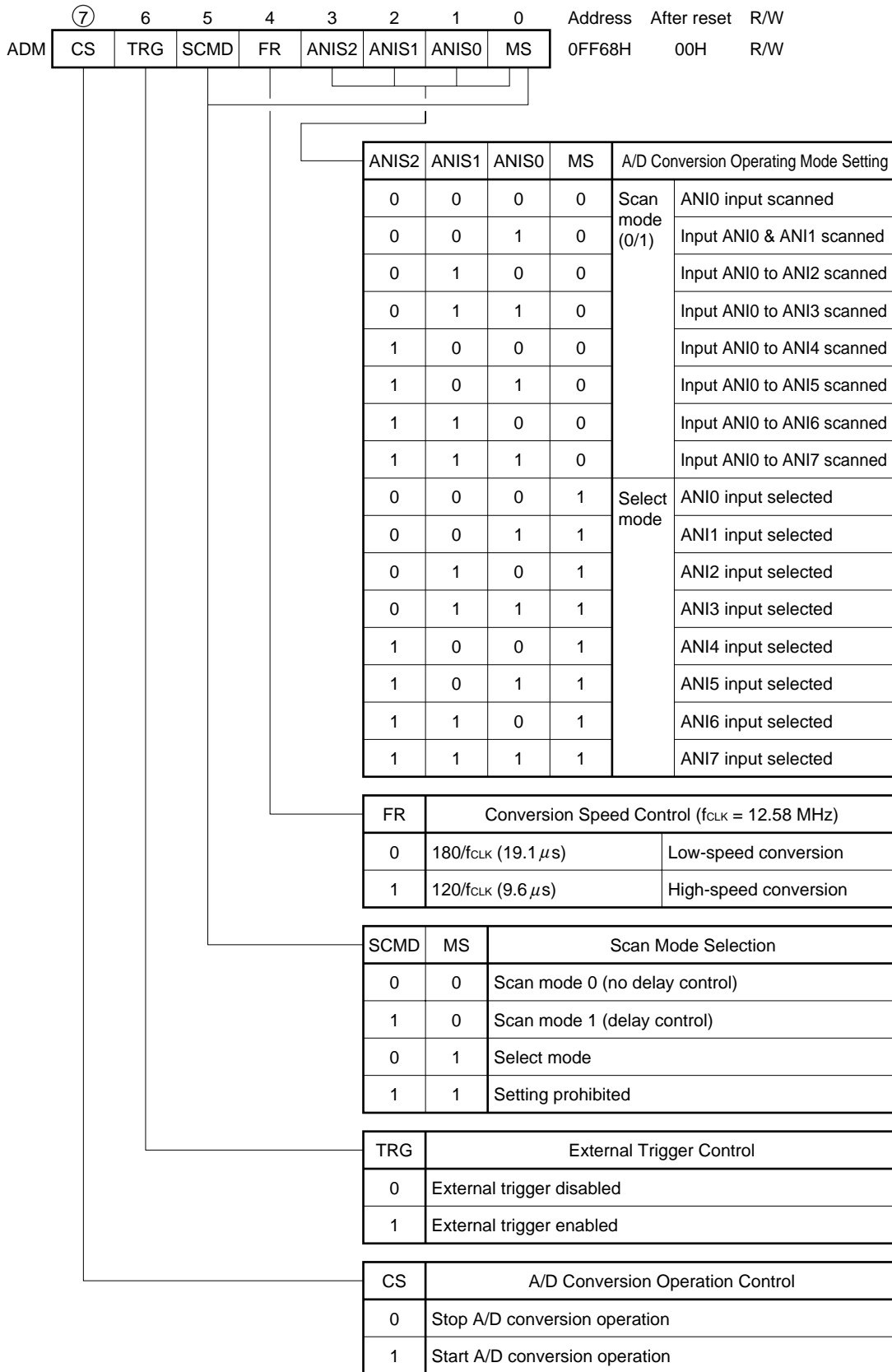
Bit 6 (TRG) enables external synchronization of the A/D conversion operation. If the TRG bit is set (to 1) when the CS bit is set (to 1), the conversion operation is initialized with each input of a valid edge as an external trigger to the INTP5 pin. When the TRG bit is cleared (to 0), the conversion operation is performed without regard to the INTP5 pin.

Bit 7 (CS) controls the A/D conversion operation. When the CS bit is set (to 1) the conversion operation is started, and when cleared (to 0), all conversion operations are stopped even if conversion is in progress. In this case, the A/D conversion result register (ADCR) is not updated and an INTAD interrupt request is not generated. Also, the power supply to the voltage comparator is stopped, and the A/D converter consumption current is reduced.

$\overline{\text{RESET}}$ input clears ADM to 00H.

Caution When the STOP mode or IDLE mode is used, the consumption current should be reduced by clearing (to 0) the CS bit before entering the STOP or IDLE mode. If the CS bit remains set (to 1), the conversion operation will be stopped by entering the STOP or IDLE mode, but the power supply to the voltage comparator will not be stopped, and therefore the A/D converter consumption current will not be reduced.

Figure 16-3. A/D Converter Mode Register (ADM) Format



Caution Once the A/D converter starts operating, conversion operations are performed repeatedly until the CS bit of the A/D converter mode register (ADM) is cleared (to 0). Therefore, a superfluous interrupt may be generated if ADM setting is performed after interrupt-related registers, etc., when A/D converter mode conversion, etc., is performed. The result of this superfluous interrupt is that the conversion result storage address appears to have been shifted when the scan mode is used. Also, when the select mode is used, the first conversion result appears to have been an abnormal value, such as the conversion result for the other channel. It is therefore recommended that A/D converter mode conversion be carried out using the following procedure.

- <1> Write to the ADM (CS bit must be set (to 1))
- <2> Interrupt request flag (ADIF) clearance (to 0)
- <3> Interrupt mask flag or interrupt service mode flag setting

Operations <1> to <3> should not be divided by an interrupt or macro service. When scan mode 0 (no delay control) is used, in particular, you should ensure that the time between <1> and <2> is less than the time taken by one A/D conversion operation.

Alternatively, the following procedure is recommended.

- <1> Stop the A/D conversion operation by clearing (to 0) the CS bit of the ADM.
- <2> Interrupt request flag (ADIF) clearance (to 0).
- <3> Interrupt mask flag or interrupt service mode flag setting
- <4> Write to the ADM

16.3 A/D Current Cut Select Register (IEAD)

IEAD is a register that selects whether AV_{DD} and AV_{REF1} are connected.

In a system where AV_{DD} = AV_{REF1} and a high accuracy is not required, open the AV_{REF1} pin. In the normal mode, connect AV_{DD} and AV_{REF1}. In the standby mode, the connection between these pins is disconnected to lower the power consumption.

IEAD is set with an 8-bit or 1-bit manipulation instruction. RESET input clears IEAD to 00H.

Figure 16-4. A/D Current Cut Select Register (IEAD) Format

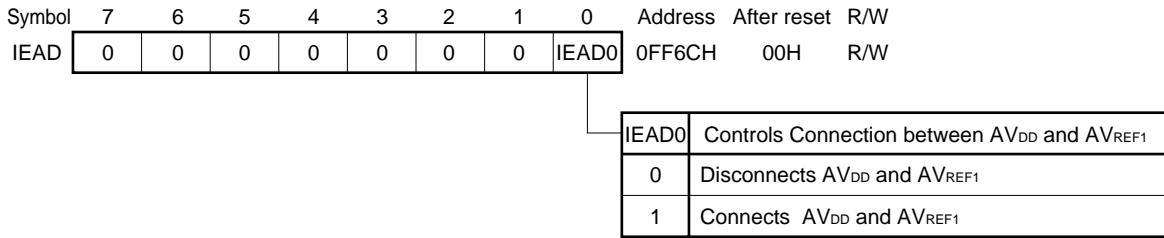
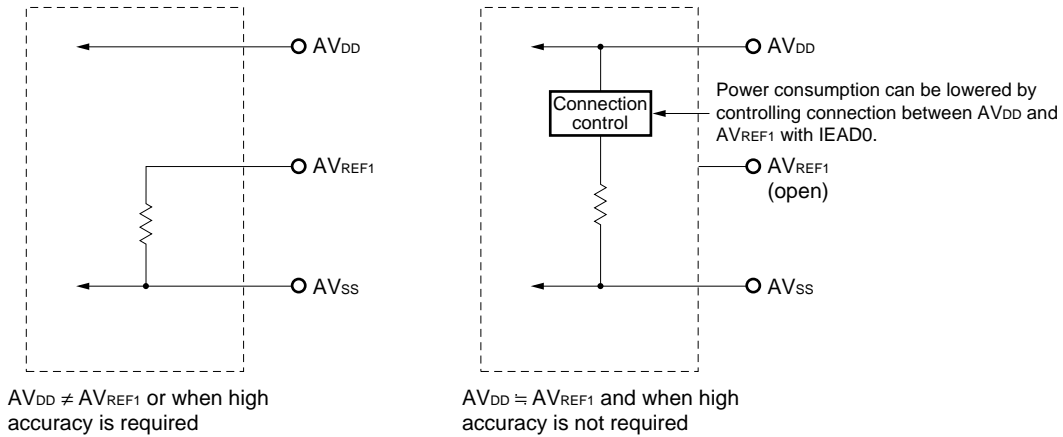


Figure 16-5. A/D Current Cut Select Register Function



16.4 Operation

16.4.1 Basic A/D converter operation

(1) A/D conversion operation procedure

A/D conversion is performed by means of the following procedure:

- (a) Analog pin selection and operation mode specification are set with the A/D converter mode register (ADM).
- (b) Bit 7 (CS) of the ADM is set (to 1), and A/D conversion is started.
- (c) When conversion starts, the MSB (bit 7) of the successive approximation register (SAR) is set (to 1) automatically.
- (d) When bit 7 of the SAR is set (to 1), the tap selector sets the series resistor string voltage tap to

$$\frac{225}{512} AV_{REF1} (\cong 1/2 AV_{REF1}).$$

- (e) The voltage difference between the series resistor string voltage tap and the analog input is determined by the voltage comparator. If the analog input is greater than $(1/2) AV_{REF1}$, the MSB of the SAR remains set (to 1), and if it is less than $(1/2) AV_{REF1}$, the MSB is cleared (to 0).
- (f) Next, bit 6 of the SAR is set (to 1) automatically, and the next comparison is performed. Here, the series resistor string voltage tap is selected according to the value of bit 7 for which the result has already been set, as shown below.

- Bit 7 = 1 $\frac{383}{512} AV_{REF1} \cong \frac{3}{4} AV_{REF1}$
- Bit 7 = 0 $\frac{127}{512} AV_{REF1} \cong \frac{1}{4} AV_{REF1}$

This voltage tap is compared with the analog input voltage, and bit 6 of the SAR is manipulated as follows according to the result:

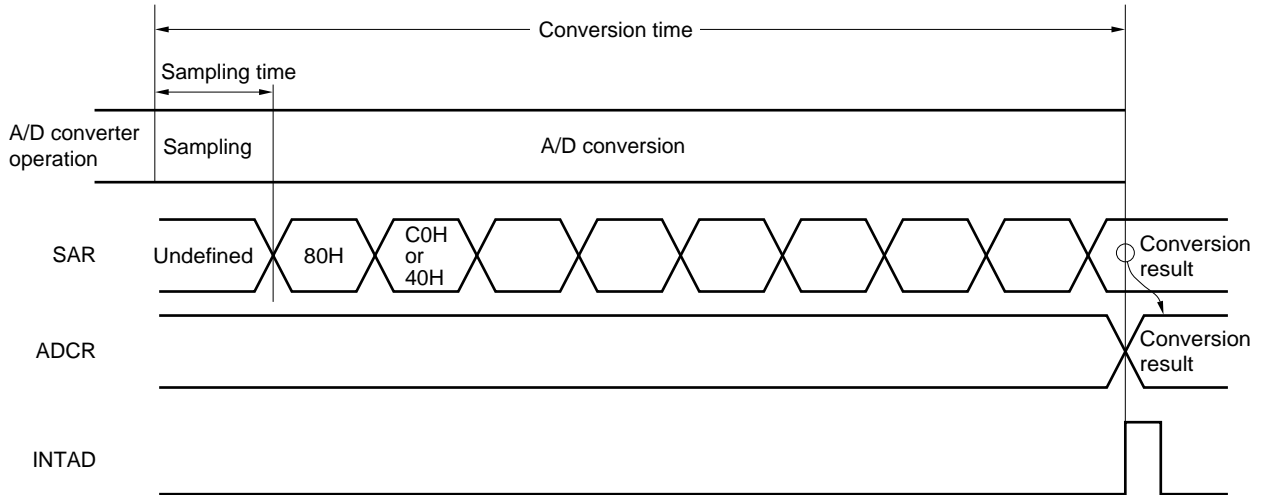
- Analog input voltage \geq voltage tap: Bit 6 = 1
- Analog input voltage $<$ voltage tap: Bit 6 = 0

- (g) The same kind of comparison is continued up to the LSB (bit 0) of the SAR (binary search method).

- (h) When comparison of the 8 bits is completed, a valid digital result is left in the SAR, and that value is transferred to the A/D conversion result register (ADCR) and latched.

An A/D conversion operation end interrupt request (INTAD) can be generated at the same time.

Figure 16-6. Basic A/D Converter Operation



A/D conversion operations are performed successively until the CS bit is cleared (to 0) by software. If a write operation is performed on the ADM during an A/D conversion operation, the conversion operation is initialized, and if the CS bit is set (to 1), conversion will be started from the beginning.

The contents of the ADCR are undefined after RESET input.

(2) Input voltage and conversion result

The relationship between the analog input voltage input to an analog input pin (ANI0 to ANI7) and the A/D conversion result (value stored in ADCR) is shown by the following expression:

$$ADCR = \text{INT}\left(\frac{V_{IN}}{AV_{REF1}} \times 256 + 0.5\right)$$

or

$$(ADCR - 0.5) \times \frac{AV_{REF1}}{256} \leq V_{IN} < (ADCR + 0.5) \times \frac{AV_{REF1}}{256}$$

Remark INT(): Function that returns the integer part of the value in ()

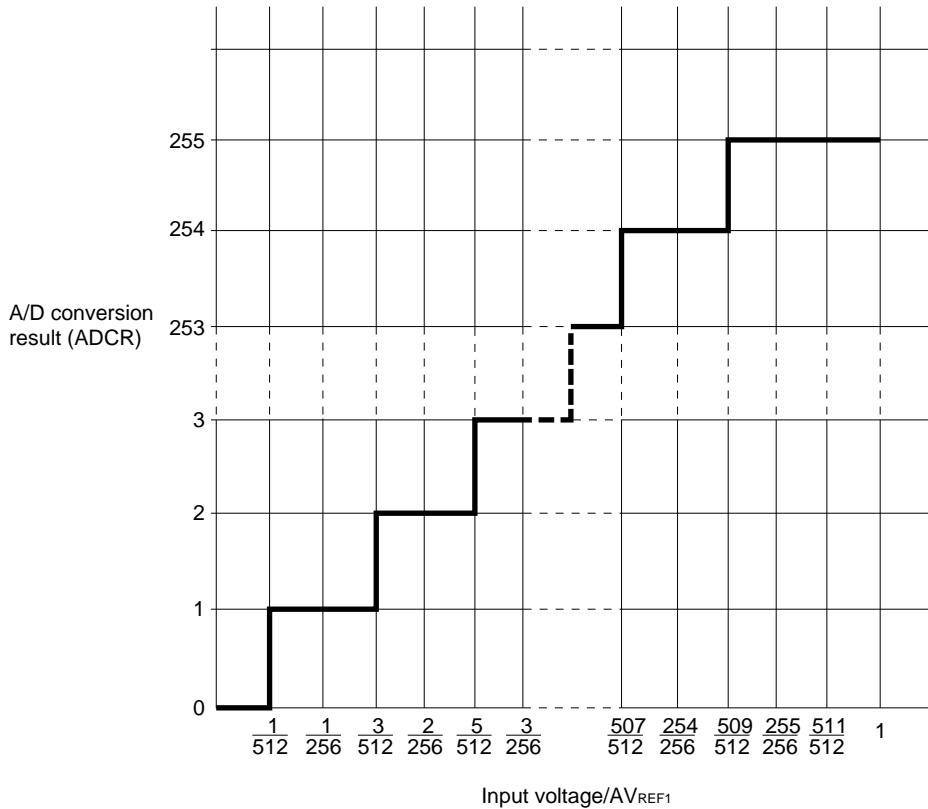
V_{IN}: Analog input voltage

AV_{REF1}: AV_{REF1} pin voltage

ADCR: ADCR value

Figure 16-7 shows the relationship between the analog input voltage and the A/D conversion result in graphic form.

Figure 16-7. Relationship between Analog Input Voltage and A/D Conversion Result



(3) A/D conversion time

The A/D conversion time is determined by the system clock frequency (f_{CLK}) and the FR bit of the A/D converter mode register (ADM).

The A/D conversion time includes the entire time required for one A/D conversion operation, and the sampling time is also included in the A/D conversion time.

These values are shown in Table 16-1.

Table 16-1. A/D Conversion Time

System Clock (f_{CLK}) Range	FR Bit	Conversion Time	Sampling Time
$2 \text{ MHz} \leq f_{CLK} \leq 16 \text{ MHz}$	0	$180/f_{CLK}$ (11.3 μs to 90 μs)	$36/f_{CLK}$ (2.3 μs to 18 μs)
$2 \text{ MHz} \leq f_{CLK} \leq 16 \text{ MHz}$	1	$120/f_{CLK}$ (7.5 μs to 60 μs)	$24/f_{CLK}$ (1.5 μs to 12 μs)

(4) A/D converter operation modes

There are two A/D converter operation modes, scan mode and select mode. These modes are selected according to the setting of bit 0 (MS) of the A/D converter mode register (ADM). In addition, scan mode 0 or 1 can be selected by bit 5 (SCMD) of the ADM.

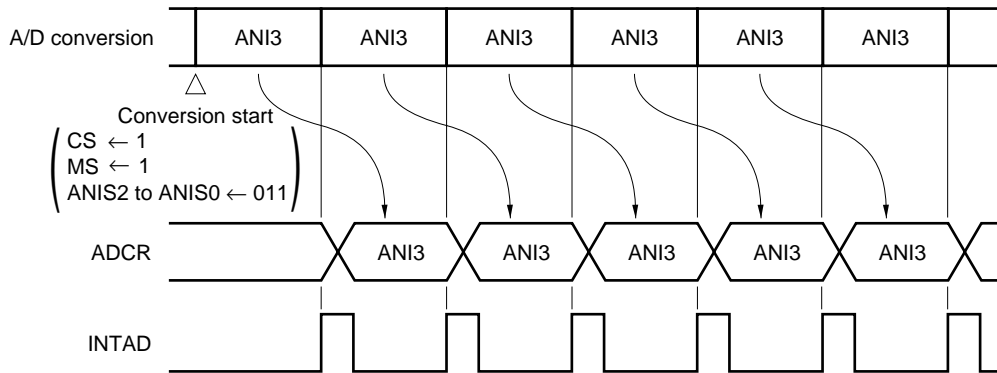
Operation in either mode continues until the ADM is rewritten.

16.4.2 Select mode

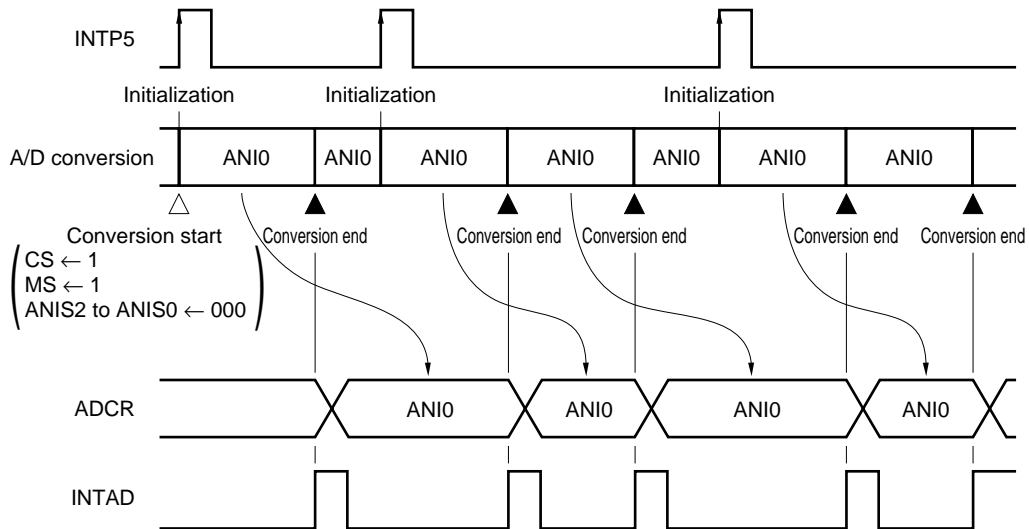
One analog input is specified by bits 1 to 3 (ANIS0 to ANIS2) of the A/D converter mode register (ADM), and A/D conversion of the specified analog input pin is started. The conversion result is stored in the A/D conversion result register (ADCR). An A/D conversion end interrupt request (INTAD) is generated at the end of each conversion operation.

Figure 16-8. Select Mode Operation Timing

(a) TRG bit ← 0



(b) TRG bit ← 1



16.4.3 Scan mode

Two scan modes, 1 and 0, are available. In scan mode 0, delay control that takes delay in reading the A/D conversion result by the CPU into consideration can be performed. In scan mode 1, no delay control is performed but the A/D conversion interval is fixed.

Generally, use of scan mode 1 is recommended.

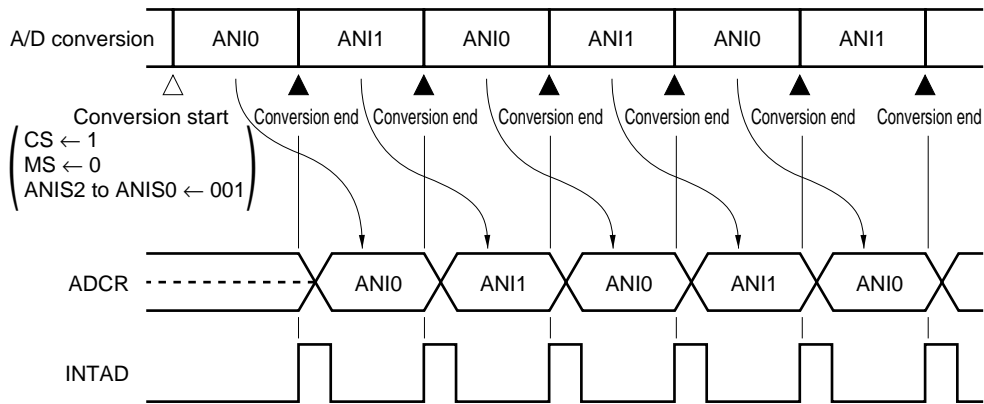
(1) Scan mode 0 (bit 5 (SCMD) of A/D converter mode register (ADM) = 0)

Input from the analog input pins specified by bits 1 to 3 (ANIS0 to ANIS2) of the ADM is selected and converted in order.

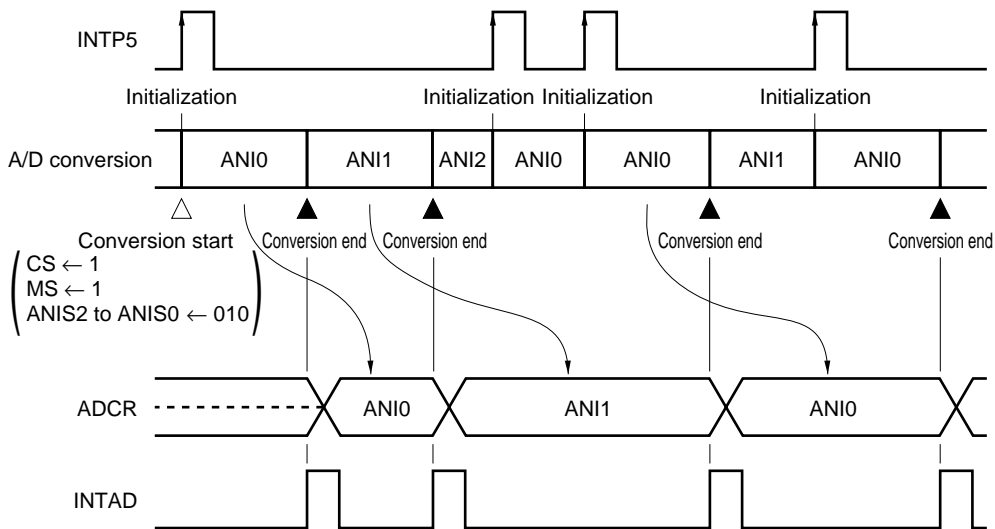
For example, if ANIS2 to ANIS0 of the ADM = 001, ANI0 and ANI1 will be scanned repeatedly (ANI0 → ANI1 → ANI0 → ANI1 → ...). In the scan mode, at the end of the conversion operation for each input the conversion value is stored in the A/D conversion result register (ADCR) and an A/D conversion end interrupt request (INTAD) is generated.

Figure 16-9. Scan Mode 0 Operation Timing

(a) TRG bit ← 0



(b) TRG bit ← 1

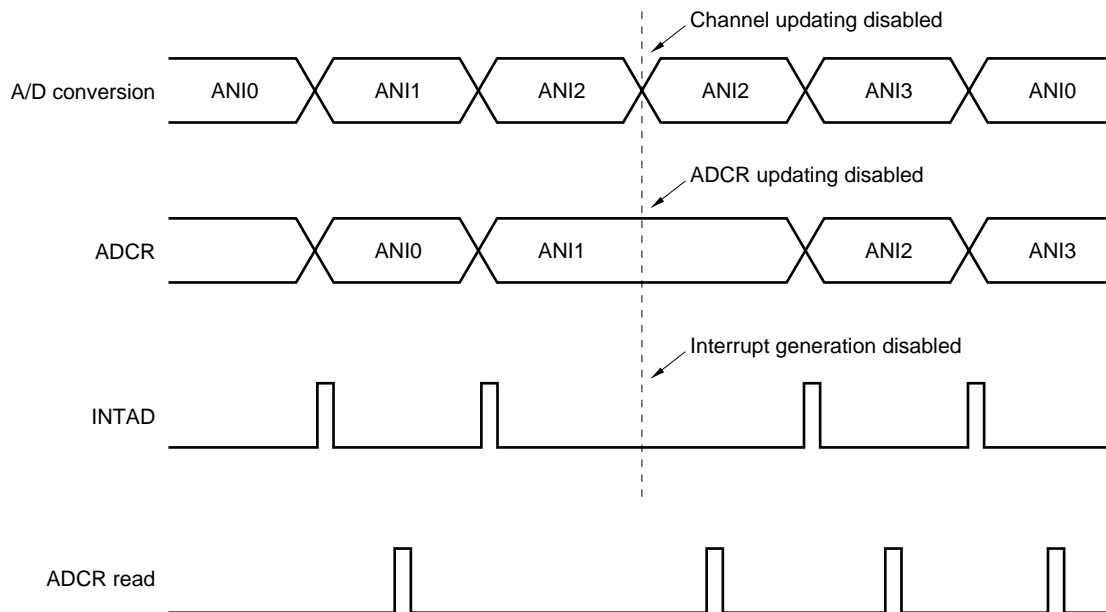


(2) Scan mode 1 (bit 5 (SCMD) of A/D converter mode register (ADM) = 1)

When bit 5 of the ADM is set (to 1), the analog input pins specified by bits 1 to 3 (ANIS0 to ANIS2) are selected, and subjected to conversion, in order. If an A/D conversion result register (ADCR) read is not performed by the CPU by the end of the next A/D conversion after A/D conversion end (INTAD) generation, conversion is restarted without performing INTAD generation, ADCR updating or channel updating (see **Figure 16-10**).

If an ADCR read is performed by the CPU before the end of the next A/D conversion, the same operation as in scan mode 0 is performed.

Figure 16-10. Scan Mode 1 Operation Timing



16.4.4 A/D conversion operation start by software

An A/D conversion operation start by software is performed by writing a value to the A/D converter mode register (ADM) that sets the TRG bit of the ADM register to 0 and the CS bit to 1.

If a value is written to the ADM during an A/D conversion operation (CS bit = 1) such that the TRG bit is set to 0 and the CS bit to 1 again, the A/D conversion operation being performed at that time is suspended, and A/D conversion is started immediately in accordance with the written value.

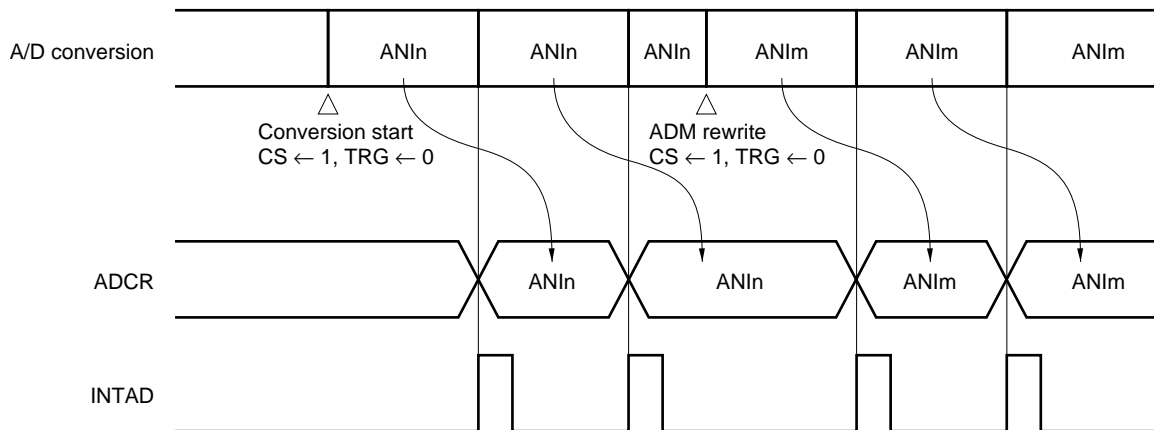
Once A/D conversion operation is started, as soon as one A/D conversion operation ends the next A/D conversion operation is started in accordance with the operation mode set by the ADM, and conversion operations continue repeatedly until an instruction that writes to the ADM is executed.

When A/D conversion operation is started by software (TRG bit = 0), INTP5 pin (P26 pin) input does not affect the A/D conversion operation.

(1) Select mode A/D conversion operation

An A/D conversion operation is started on the analog input pin set by the A/D converter mode register (ADM). As soon as the A/D conversion operation ends, another A/D conversion operation is performed on the same analog input pin. An A/D conversion end interrupt request (INTAD) is generated at the end of each A/D conversion operation.

Figure 16-11. Software Start Select Mode A/D Conversion Operation

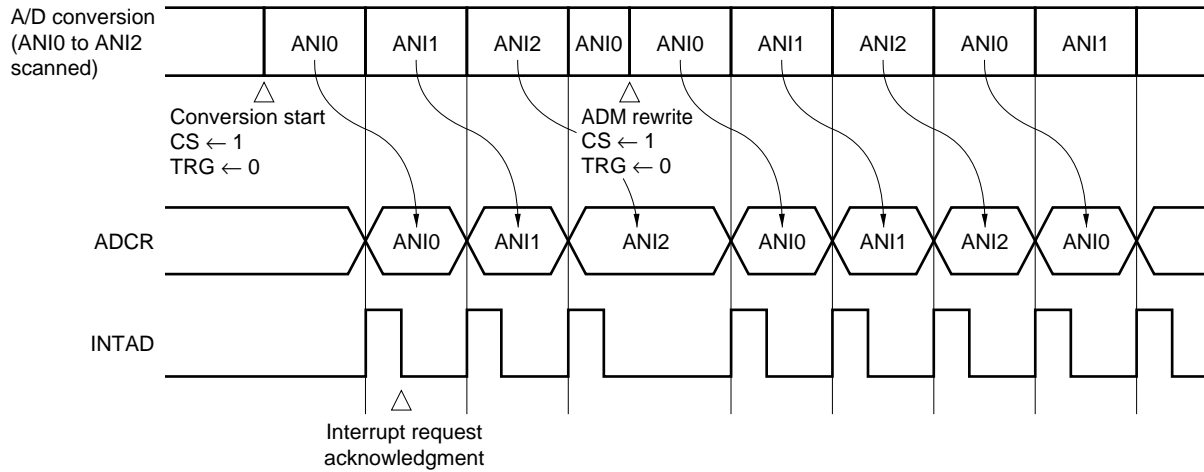


Remark n = 0, 1, ..., 7
 m = 0, 1, ..., 7

(2) Scan mode A/D conversion operation

When conversion operation is started, an A/D conversion operation is started on the ANI0 pin input. When the A/D conversion operation ends, an A/D conversion operation is started on the next analog input pin. An A/D conversion end interrupt request (INTAD) is generated at the end of each A/D conversion operation.

Figure 16-12. Software Start Scan Mode A/D Conversion Operation



16.4.5 A/D conversion operation start by hardware

An A/D conversion operation start by hardware is made possible by setting both the TRG bit and the CS bit of the A/D converter mode register (ADM) to 1. When the TRG bit and the CS bit of the ADM are both set to 1, external signals are placed in the standby state, and an A/D conversion operation is started when a valid edge is input to the INTP5 pin (P26 pin).

If another valid edge is input to the INTP5 pin after the A/D conversion operation has been started by a valid edge input to the INTP5 pin, the A/D conversion operation being performed at that time is suspended, and A/D conversion is performed from the beginning in accordance with the contents set in the ADM.

If a value is written to the ADM during an A/D conversion operation (CS bit = 1) such that the TRG bit and CS bit are both set to 1 again, the A/D conversion operation being performed at that time is suspended (the standby state is also suspended), and a standby state is entered in which the A/D converter waits for input of a valid edge to the INTP5 pin in the A/D conversion operation mode in accordance with the written value, and a conversion operation is started when a valid edge is input.

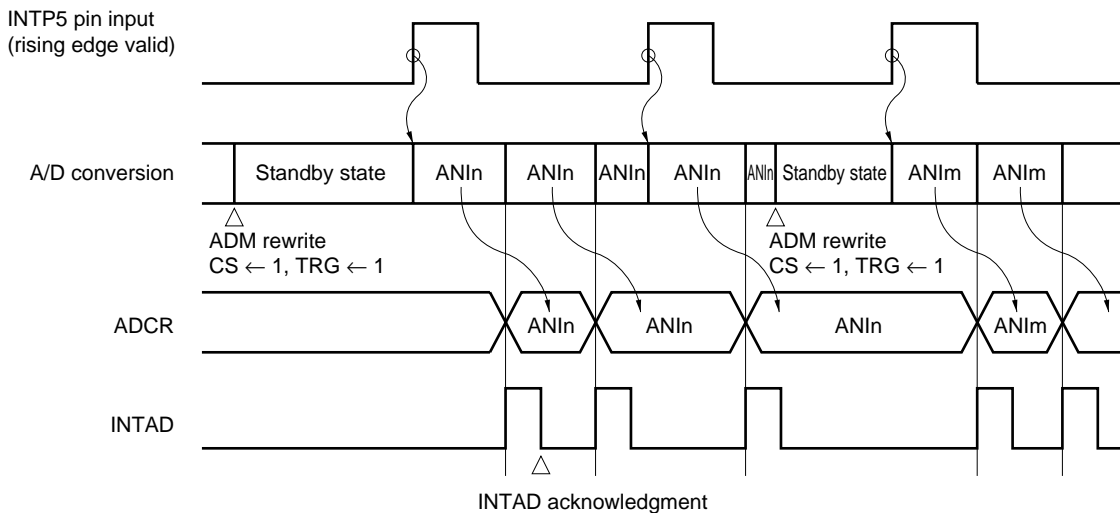
Use of this function allows A/D conversion operations to be synchronized with external signals. Once A/D conversion operation is started, as soon as one A/D conversion operation ends the next A/D conversion operation is started in accordance with the operation mode set by the ADM (the A/D converter does not wait for INTP5 pin input), and conversion operations continue repeatedly until an instruction that writes to the ADM is executed, or a valid edge is input to the INTP5 pin.

Caution Approximately 10 μ s is required from the time a valid edge is input to the INTP5 pin until the A/D conversion operation is actually started. This delay must be taken into account in the design stage. See CHAPTER 22 EDGE DETECTION FUNCTION for details of the edge detection function.

(1) Select mode A/D conversion operation

An A/D conversion operation is started on the analog input pin set by the A/D converter mode register (ADM). As soon as the A/D conversion operation ends, another A/D conversion operation is performed on the same analog input pin. An A/D conversion end interrupt request (INTAD) is generated at the end of each A/D conversion operation. If a valid edge is input to the INTP5 pin during an A/D conversion operation, the A/D conversion operation being performed at that time is suspended, and a new A/D conversion operation is started.

Figure 16-13. Hardware Start Select Mode A/D Conversion Operation

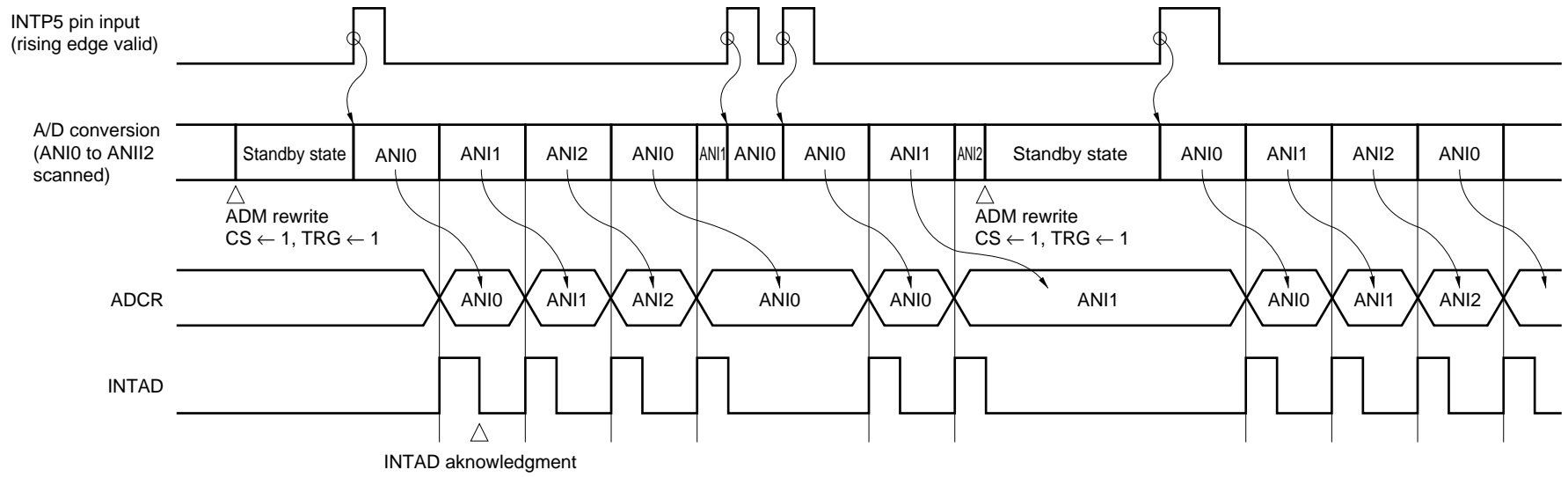


Remark n = 0, 1, ..., 7
 m = 0, 1, ..., 7

(2) Scan mode A/D conversion operation

When conversion operation is started, an A/D conversion operation is started on the ANI0 pin input. When the A/D conversion operation ends, an A/D conversion operation is started on the next analog input pin. An A/D conversion end interrupt request (INTAD) is generated at the end of each A/D conversion operation. If a valid edge is input to the INTP5 pin during an A/D conversion operation, the A/D conversion operation being performed at that time is suspended, and a new A/D conversion operation is started on the ANI0 pin input.

Figure 16-14. Hardware Start Scan Mode A/D Conversion Operation



16.5 External Circuit of A/D Converter

The A/D converter is provided with a sample & hold circuit to stabilize its conversion operation. This sample & hold circuit outputs sampling noise during sampling immediately after an A/D conversion channel has been changed.

To absorb this sampling noise, an external capacitor must be connected. If the impedance of the signal source is high, an error may occur in the conversion result due to the sampling noise. Especially when the scan mode is used, the impedance of the signal source must be kept low because the channel whose signal is to be converted changes one after another.

One way to absorb the sampling noise is to increase the capacitance of the capacitor. However, if the capacitance is increased too much, the sampling noise is accumulated. Therefore, the most effective way is to reduce the resistance component.

16.6 Cautions

(1) Range of voltages applied to analog input pins

The following must be noted concerning A/D converter analog input pins ANI0 to ANI7 (P70 to P77).

- A voltage outside the range AV_{SS} to AV_{REF1} should not be applied to pins subject to A/D conversion during an A/D conversion operation.

If this restriction is not observed, the μ PD784938 may be damaged.

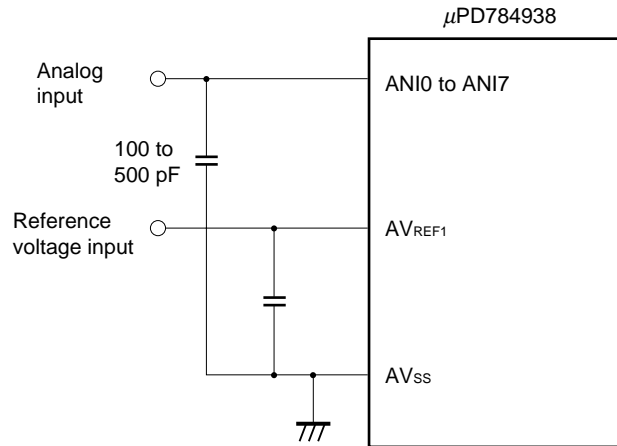
(2) Hardware start A/D conversion

Approximately 10 μ s is required from the time a valid edge is input to the INTP5 pin until the A/D conversion operation is actually started. This delay must be taken into account in the design stage. See **CHAPTER 22 EDGE DETECTION FUNCTION** for details of the edge detection function.

(3) Connecting capacitor to analog input pins

A capacitor should be connected between the analog input pins (ANI0 to ANI7) and AV_{SS} and between the reference voltage input pin (AV_{REF1}) and AV_{SS} to prevent misoperation due to noise.

Figure 16-15. Example of Capacitor Connection on A/D Converter Pins



- (4) When the STOP mode or IDLE mode is used, the consumption current should be reduced by clearing (to 0) the CS bit before entering the STOP or IDLE mode. If the CS bit remains set (to 1), the conversion operation will be stopped by entering the STOP or IDLE mode, but the power supply to the voltage comparator will not be stopped, and therefore the A/D converter consumption current will not be reduced.
- (5) Once the A/D converter starts operating, conversion operations are performed repeatedly until the CS bit of the A/D converter mode (ADM) is cleared (to 0). Therefore, a superfluous interrupt may be generated if ADM setting is performed after interrupt-related registers, etc., are set when A/D converter mode conversion, etc., is performed. The result of this superfluous interrupt is that the conversion result storage address appears to have been shifted when the scan mode is used. Also, when the select mode is used, the first conversion result appears to have been an abnormal value, such as the conversion result for the other channel. It is therefore recommended that A/D converter mode conversion be carried out using the following procedure.

- <1> Write to the ADM (CS bit must be set (to 1))
- <2> Interrupt request flag (ADIF) clearance (to 0)
- <3> Interrupt mask flag or interrupt service mode flag setting

Operations <1> to <3> should not be divided by an interrupt or macro service. When scan mode 0 (no delay control) is used, in particular, you should ensure that the time between <1> and <2> is less than the time taken by one A/D conversion operation.

Alternatively, the following procedure is recommended.

- <1> Stop the A/D conversion operation by clearing (to 0) the CS bit of the ADM.
- <2> Interrupt request flag (ADIF) clearance (to 0).
- <3> Interrupt mask flag or interrupt service mode flag setting
- <4> Write to the ADM

CHAPTER 17 OUTLINE OF SERIAL INTERFACE

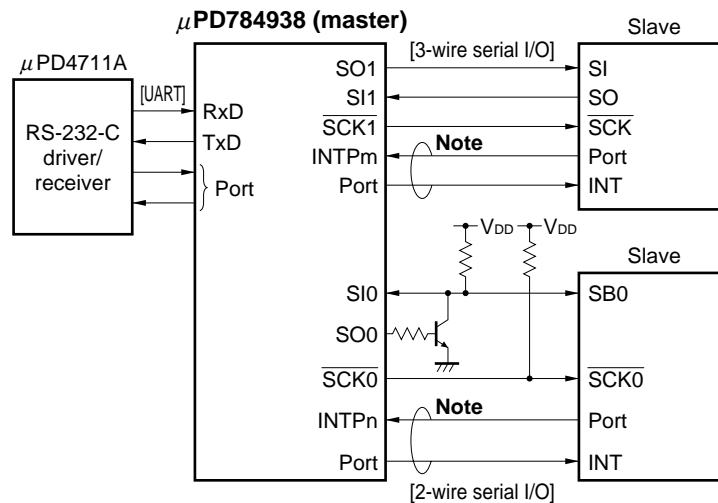
The μ PD784938 Subseries is provided with four independent serial interface channels. Therefore, communication with an external system and local communication within the system can be simultaneously executed by using these four channels.

- Asynchronous serial interface (UART)/3-wire serial I/O (IOE) \times 2 channels
→ Refer to **CHAPTER 18**.
- Clocked serial interface (CSI) \times 2 channels
 - 3-wire serial I/O mode (MSB/LSB first)
→ Refer to **CHAPTER 19**.

Figure 17-1 shows an example of the serial interface.

Figure 17-1. Example of Serial Interface

UART + 3-wire serial I/O + 2-wire serial I/O



Note Handshake line

[MEMO]

CHAPTER 18 ASYNCHRONOUS SERIAL INTERFACE/3-WIRE SERIAL I/O

The μ PD784938 incorporates two serial interface channels for which asynchronous serial interface (UART) mode or 3-wire serial I/O (IOE) mode can be selected.

The two UART/IOE channels have completely identical functions. In this chapter, therefore, unless stated otherwise, UART/IOE1 will be described as representative of both UART/IOEs. When used as UART2/IOE2, the UART/IOE1 register names, bit names and pin names should be read as their UART2/IOE2 equivalents as shown in Table 18-1.

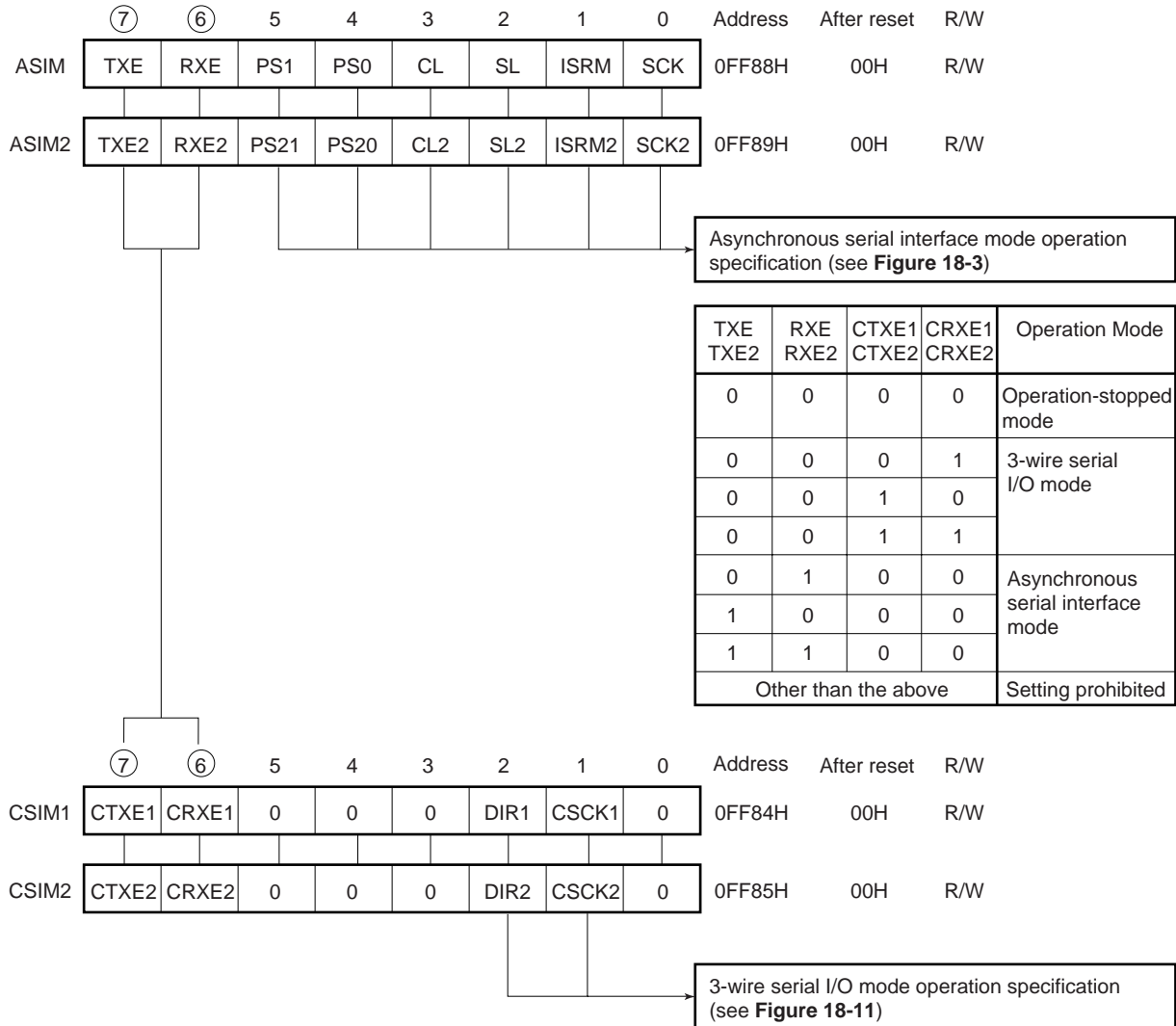
Table 18-1. Differences between UART/IOE1 and UART2/IOE2 Names

Item	UART/IOE1	UART2/IOE2
Pin names	P25/ASCK/SCK $\bar{1}$, P30/RxD/SI1, P31/TxD/SO2	P12/ASCK2/SCK2, P13/RxD2/SI2, P14/TxD2/SO2
Asynchronous serial interface mode register	ASIM	ASIM2
Asynchronous serial interface mode register bit names	TXE, RXE, PS1, PS0, CL, SL, ISRM, SCK	TXE2, RXE2, PS21, PS20, CL2, SL2, ISRM2, SCK2
Asynchronous serial interface status register	ASIS	ASIS2
Asynchronous serial interface status register bit names	PE, FE, OVE	PE2, FE2, OVE2
Clocked serial interface mode register	CSIM1	CSIM2
Clocked serial interface mode register bit names	CTXE1, CRXE1, DIR1, CSCK1	CTXE2, CRXE2, DIR2, CSCK2
Baud rate generator control register	BRGC	BRGC2
Baud rate generator control register bit names	TPS0 to TPS3, MDL0 to MDL3	TPS20 to TPS23, MDL20 to MDL23
Interrupt request names	INTSR/ITCSI1, INTSER, INTST	INTSR2/INTCSI2, INTSER2, INTST2
Interrupt control registers and bit names used in this chapter	SRIC, CSIIC1, SERIC, STIC, SRIF, CSIIF1, SERIF, STIF	SRIC2, CSIIC2, SERIC2, STIC2, SRIF2, SCIIF2, SERIF2, STIF2

18.1 Switching between Asynchronous Serial Interface Mode and 3-Wire Serial I/O Mode

The asynchronous serial interface mode and 3-wire serial I/O mode cannot be used simultaneously. Switching between these modes is performed in accordance with the settings of the asynchronous serial interface mode register (ASIM/ASIM2) and the clocked serial interface mode register (CSIM1/CSIM2) as shown in Figure 18-1.

Figure 18-1. Switching between Asynchronous Serial Interface Mode and 3-Wire Serial I/O Mode



18.2 Asynchronous Serial Interface Mode

A UART (Universal Asynchronous Receiver Transmitter) is incorporated as the asynchronous serial interface. With this method, one byte of data is transmitted following a start bit, and full-duplex operation is possible.

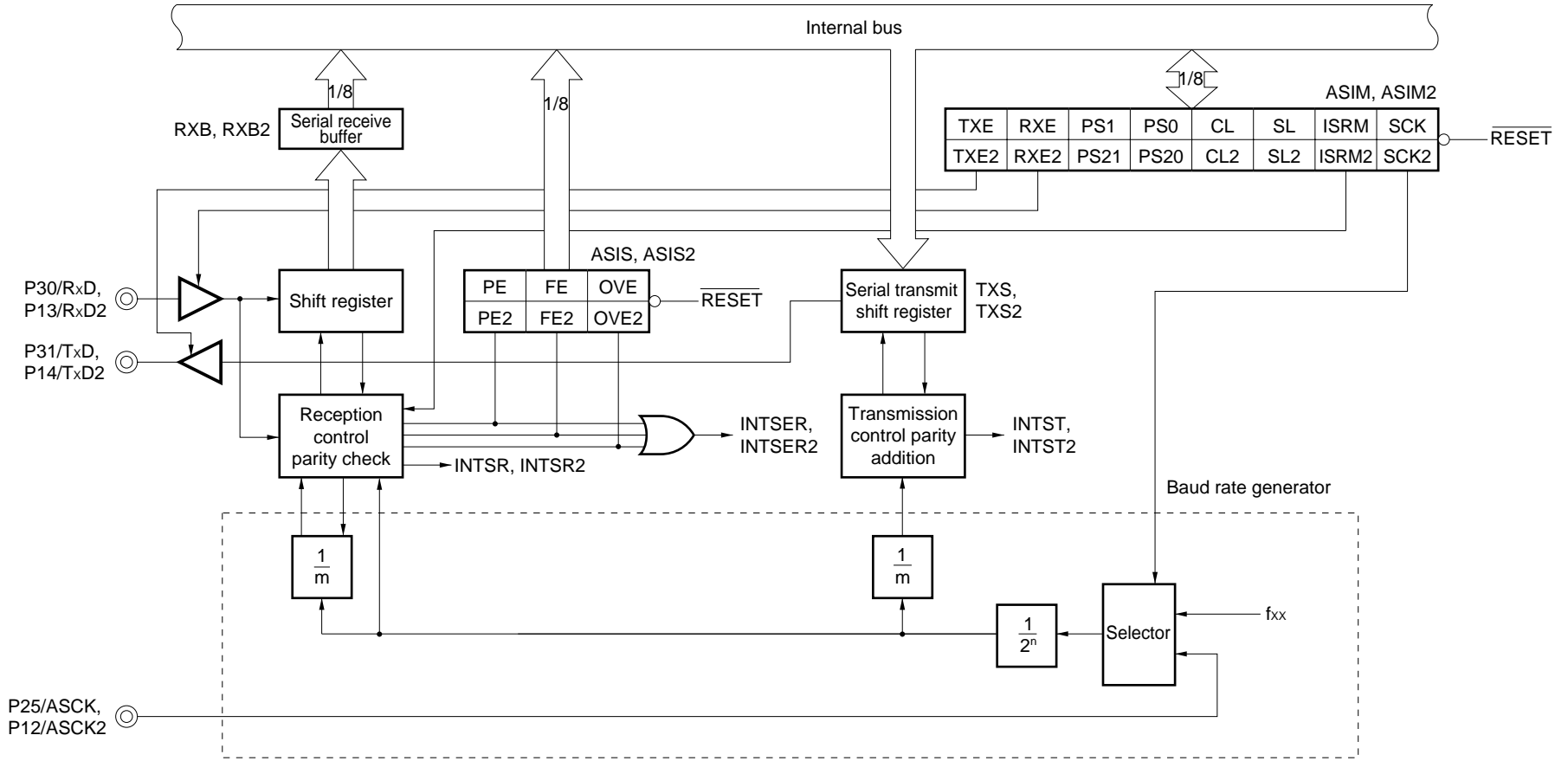
A baud rate generator is incorporated, enabling communication to be performed at any of a wide range of baud rates. Also, the baud rate can be defined by scaling the clock input to the ASCK pin.

18.2.1 Configuration in asynchronous serial interface mode

The block diagram of the asynchronous serial interface is described in Figure 18-2.

See **18.4 Baud Rate Generator** for details of the baud rate generator.

Figure 18-2. Asynchronous Serial Interface Block Diagram



(1) Serial receive buffer (RXB/RXB2)

This is the register that holds the receive data. Each time one byte of data is received, the receive data is transferred from the shift register.

If a 7-bit data length is specified, receive data is transferred to bits 0 to 6 of RXB/RXB2, and the MSB of RXB/RXB2 is always "0".

RXB/RXB2 can be read only by an 8-bit manipulation instruction. The contents of RXB/RXB2 are undefined after $\overline{\text{RESET}}$ input.

(2) Serial transmit shift register (TXS/TXS2)

This is the register in which the data to be transmitted is set. Data written to the TXS/TXS2 is transmitted as serial data.

If a 7-bit data length is specified, bits 0 to 6 of the data written in the TXS/TXS2 are treated as transmit data. A transmit operation starts when a write to the TXS/TXS2 is performed. The TXS/TXS2 cannot be written to during a transmit operation.

TXS/TXS2 can be written to only with an 8-bit manipulation instruction. The contents of TXS/TXS2 are undefined after $\overline{\text{RESET}}$ input.

(3) Shift register

This is the shift register that converts the serial data input to the RxD pin to parallel data. When one byte of data is received, the receive data is transferred to the receive buffer.

The shift register cannot be manipulated directly by the CPU.

(4) Reception control parity check

Receive operations are controlled in accordance with the contents set in the asynchronous serial interface mode register (ASIM/ASIM2). In addition, parity error and other error checks are performed during receive operations, and if an error is detected, a value is set in the asynchronous serial interface status register (ASIS/ASIS2) according to the type of error.

(5) Transmission control parity addition

Transmission operation is controlled by appending a start bit, parity bit, and stop bit to the data written to the serial transmit shift registers (TXS/TXS2) in accordance with the contents set to the asynchronous serial interface mode registers (ASIM/ASIM2).

(6) Selector

Selects the baud rate clock source.

18.2.2 Asynchronous serial interface control registers

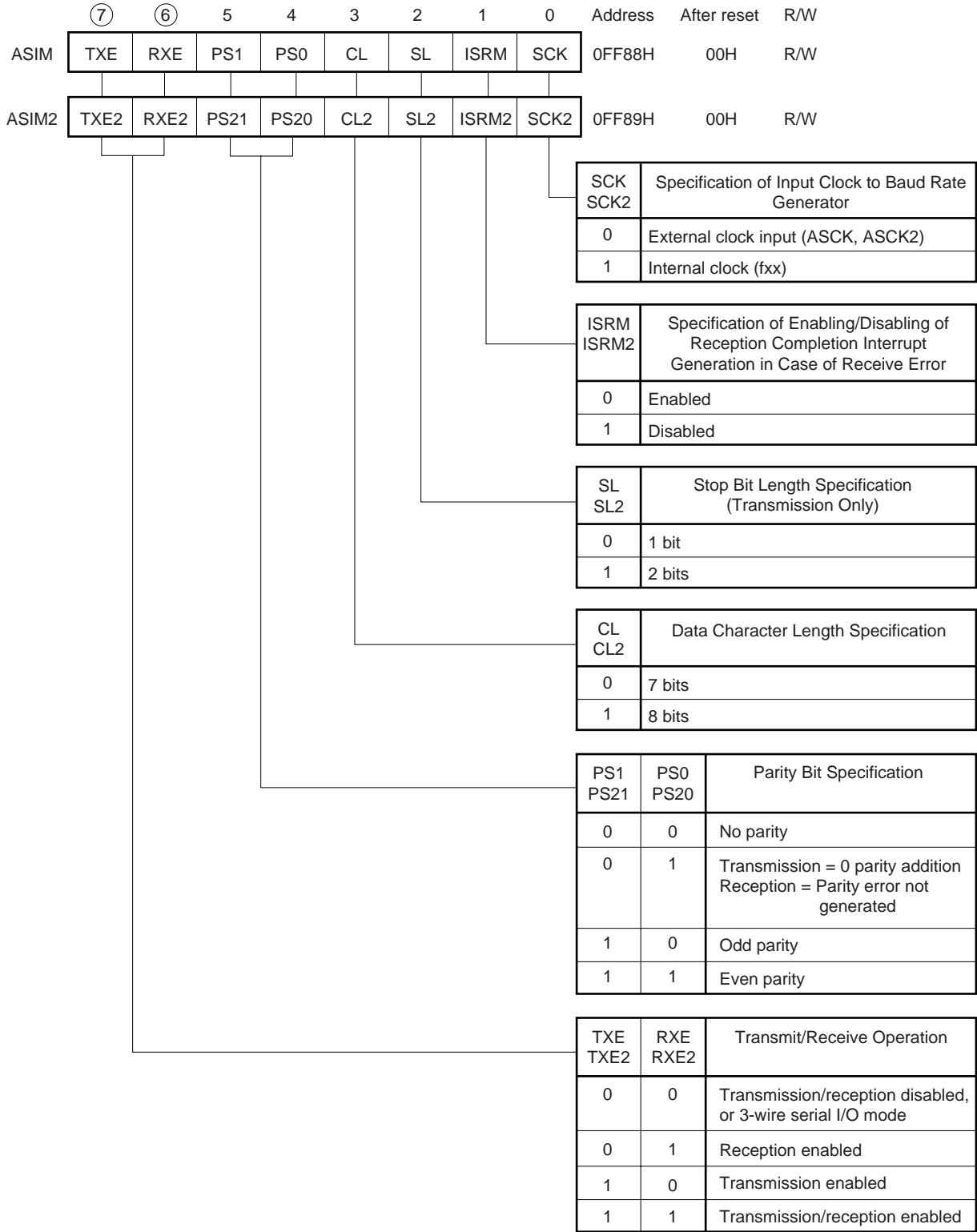
(1) Asynchronous serial interface mode register (ASIM), Asynchronous serial interface mode register 2 (ASIM2)

ASIM and ASIM2 are 8-bit registers that specify the UART mode operation.

These registers can be read or written to with an 8-bit manipulation instruction or bit manipulation instruction. The format of ASIM and ASIM is shown in Figure 18-3.

$\overline{\text{RESET}}$ input clears these registers to 00H.

Figure 18-3. Format of Asynchronous Serial Interface Mode Register (ASIM) and Asynchronous Serial Interface Mode Register 2 (ASIM2)



Caution An asynchronous serial interface mode register (ASIM/ASIM2) rewrite should not be performed during a transmit operation. If an ASIM/ASIM2 register rewrite is performed during a transmit operation, subsequent transmit operations may not be possible (normal operation is restored by $\overline{\text{RESET}}$ input). Software can determine whether transmission is in progress by using a transmission completion interrupt (INTST/INTST2) or the interrupt request flag (STIF/STIF2) set by INTST/INTST2.

- (2) **Asynchronous serial interface status register (ASIS), Asynchronous serial interface status register 2 (ASIS2)**
 ASIS and ASIS2 contain flags that indicate the error contents when a receive error occurs. Flags are set (to 1) when a receive error occurs, and cleared (to 0) when data is read from the serial receive buffer (RXB/RXB2). If the next data is received before RXB/RXB2 is read, the overrun error flag (OVE/OVE2) is set (to 1), and the other error flags are cleared (to 0) (if there is an error in the next data, the corresponding error flag is set (to 1)). These registers can be read only with an 8-bit manipulation instruction or bit manipulation instruction. The format of ASIS and ASIS2 is shown in Figure 18-4. $\overline{\text{RESET}}$ input clears these registers to 00H.

Figure 18-4. Format of Asynchronous Serial Interface Status Register (ASIS) and Asynchronous Serial Interface Status Register 2 (ASIS2)



Caution The serial receive buffer (RXB/RXB2) must be read even if there is a receive error. If RXB/RXB2 is not read, an overrun error will occur when the next data is received, and the receive error state will continue indefinitely.

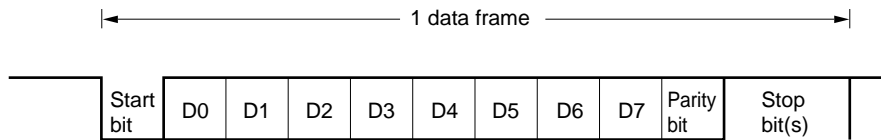
18.2.3 Data format

Serial data transmission/reception is performed in full-duplex asynchronous mode.

The transmit/receive data format is shown in Figure 18-5. One data frame is made up of a start bit, character bits, parity bit, and stop bit(s).

Character bit length specification, parity selection and stop bit length specification for one data frame are performed by means of the asynchronous serial interface mode register (ASIM).

Figure 18-5. Asynchronous Serial Interface Transmit/Receive Data Format



- Start bit 1 bit
- Character bits 7 bits/8 bits
- Parity bits Even parity/odd parity/0 parity/no parity
- Stop bits 1 bit/2 bits

The serial transfer rate is selected in accordance with the asynchronous serial interface mode register and baud rate generator settings. If a serial data receive error occurs, the nature of the receive error can be determined by reading the asynchronous serial interface status register (ASIS) status.

18.2.4 Parity types and operations

The parity bit is used to detect a bit error in the communication data. Normally, the same kind of parity bit is used on the transmission side and the reception side. With even parity and odd parity, 1 bit (odd number) errors can be detected. With 0 parity and no parity, errors cannot be detected.

- Even parity

If the number of bits with a value of “1” in the transmit data is odd, the parity bit is set to “1”, and if the number of “1” bits is even, the parity bit is set to “0”. Control is thus performed to make the number of “1” bits in the transmit data plus the parity bit an even number. In reception, the number of “1” bits in the receive data plus the parity bit is counted, and if this number is odd, a parity error is generated.

- Odd parity

Conversely to the case of even parity, control is performed to make the number of “1” bits in the transmit data plus the parity bit an odd number.

In reception, a parity error is generated if the number of “1” bits in the receive data plus the parity bit is even.

- 0 parity

In transmission, the parity bit is set to “0” irrespective of the receive data.

In reception, parity bit detection is not performed. Therefore, no parity error is generated irrespective of whether the parity bit is “0” or “1”.

- No parity

In transmission, a parity bit is not added.

In reception, reception is performed on the assumption that there is no parity bit. Since there is no parity bit, no parity error is generated.

18.2.5 Transmission

The μ PD784938's asynchronous serial interface is set to the transmission enabled state when the TXE bit of the asynchronous serial interface mode register (ASIM) is set (to 1). A transmit operation is started by writing transmit data to the serial transmit shift register (TXS) when transmission is enabled. The start bit, parity bit and stop bit(s) are added automatically.

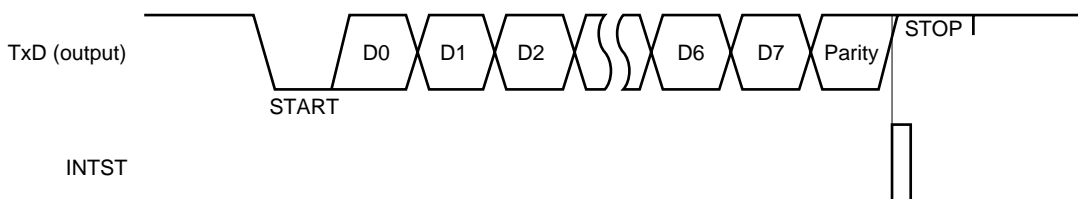
When a transmit operation is started, the data in the TXS is shifted out, and a transmission completion interrupt (INTST) is generated when the TXS is empty.

If no more data is written to the TXS, the transmit operation is discontinued.

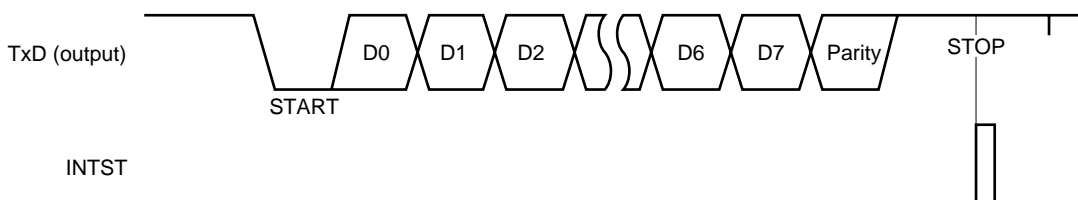
If the TXE bit is cleared (to 0) during a transmit operation, the transmit operation is discontinued immediately.

Figure 18-6. Asynchronous Serial Interface Transmission Completion Interrupt Timing

(a) Stop bit length: 1



(b) Stop bit length: 2



- Cautions**
1. After $\overline{\text{RESET}}$ input the serial transmit shift register (TXS) is emptied but a transmission completion interrupt is not generated. A transmit operation can be started by writing transmit data to the TXS.
 2. An asynchronous serial interface mode register (ASIM) rewrite should not be performed during a transmit operation. If an ASIM rewrite is performed during a transmit operation, subsequent transmit operations may not be possible (normal operation is restored by $\overline{\text{RESET}}$ input). Software can determine whether transmission is in progress by using a transmission completion interrupt (INTST) or the interrupt request flag (STIF) set by INTST.

18.2.6 Reception

When the RXE bit of the asynchronous serial interface mode register (ASIM) is set (to 1), receive operations are enabled and sampling of the RxD input pin is performed.

RxD input pin sampling is performed using the serial clock (divide-by-m counter input clock) specified by ASIM and band rate generator control register (BRGC).

When the RxD pin input is driven low, the divide-by-m counter starts counting and a data sampling start timing signal is output on the m'th count. If the RxD pin input is low when sampled again by this start timing signal, the input is recognized as a start bit, the divide-by-m counter is initialized and the count is started, and data sampling is performed. When the character data, parity bit and stop bit are detected following the start bit, reception of one data frame ends.

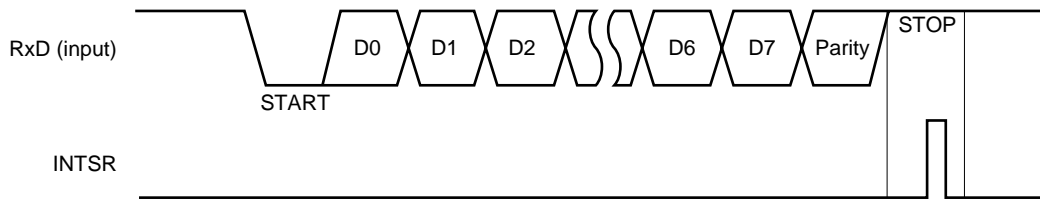
When reception of one data frame ends, the receive data in the shift register is transferred to the serial receive buffer, RXB, and a reception completion interrupt (INTSR) is generated.

If an error occurs, the receive data in which the error occurred is still transferred to RXB. If bit 1 (ISRM) of the ASIM was cleared (to 0) when the error occurred,

INTSR is generated. If the ISRM was set (to 1), INTSR is not generated.

If the RXE bit is cleared (to 0) during a receive operation, the receive operation is stopped immediately. In this case the contents of RXB and ASIS are not changed, and no INTSR or INTSER interrupt is generated.

Figure 18-7. Asynchronous Serial Interface Reception Completion Interrupt Timing



Caution The serial receive buffer (RXB) must be read even if there is a receive error. If RXB is not read, an overrun error will occur when the next data is received, and the receive error state will continue indefinitely.

18.2.7 Receive errors

Three kinds of errors can occur in a receive operation: parity errors, framing errors, and overrun errors. As the result of data reception, an error flag is raised in the asynchronous serial interface status register (ASIS) and a receive error interrupt (INTSER) is generated. Receive error causes are shown in Table 18-2.

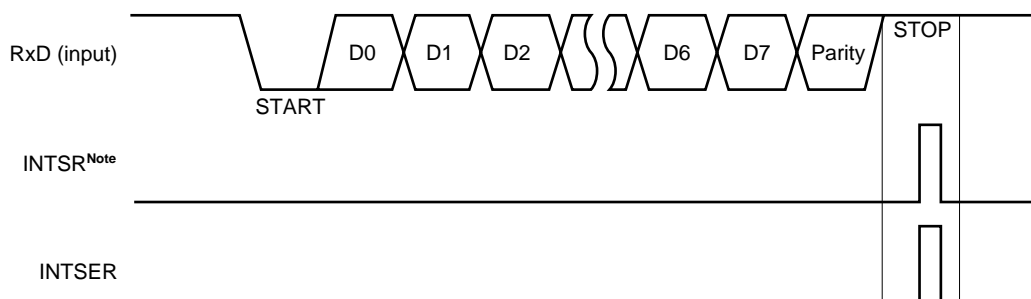
It is possible to detect the occurrence of any of the above errors during reception by reading the contents of the ASIS (see **Figures 18-4** and **18-8**).

The contents of the ASIS register are cleared (to 0) by reading the serial receive buffer (RXB) or by reception of the next data (if there is an error in the next data, the corresponding error flag is set).

Table 18-2. Receive Error Causes

Receive Error	Cause
Parity error	Transmit data parity specification and receive data parity do not match
Framing error	Stop bit not detected
Overrun error	Reception of next data completed before data is read from receive buffer

Figure 18-8. Receive Error Timing



Note If a receive error occurs while the ISRM bit is set (to 1), INTSR is not generated.

Remark In the μ PD784938, a break signal cannot be detected by hardware. As a break signal is a low-level signal of two characters or more, a break signal may be judged to have been input if software detects the occurrence of two consecutive framing errors in which the receive data was 00H. The chance occurrence of two consecutive framing errors can be distinguished from a break signal by having the RxD pin level read by software (confirmation is possible by setting “1” in bit 0 of the port 3 mode register (PM3) and reading port 3 (P3)) and confirming that it is “0”.

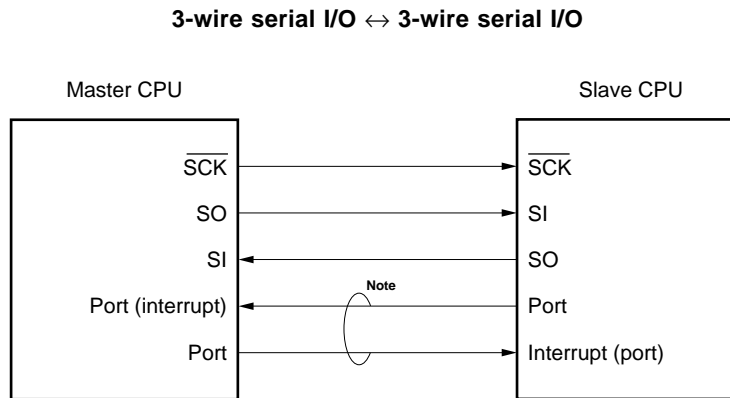
Cautions 1. The contents of the asynchronous serial interface status register (ASIS) are cleared (to 0) by reading the serial receive buffer (RXB) or by reception of the next data. If you want to find the details of an error, therefore, ASIS must be read before reading RXB.

2. The RXB must be read even if there is a receive error. If RXB is not read, an overrun error will occur when the next data is received, and the receive error state will continue indefinitely.

18.3 3-Wire Serial I/O Mode

The 3-wire serial I/O mode is used to communicate with devices that incorporate a conventional clocked serial interface. Basically, communication is performed using three lines: the serial clock ($\overline{\text{SCK}}$), serial data output (SO), and serial data input (SI). Generally, a handshake line is necessary for checking the communication status.

Figure 18-9. Example of 3-Wire Serial I/O System Configuration

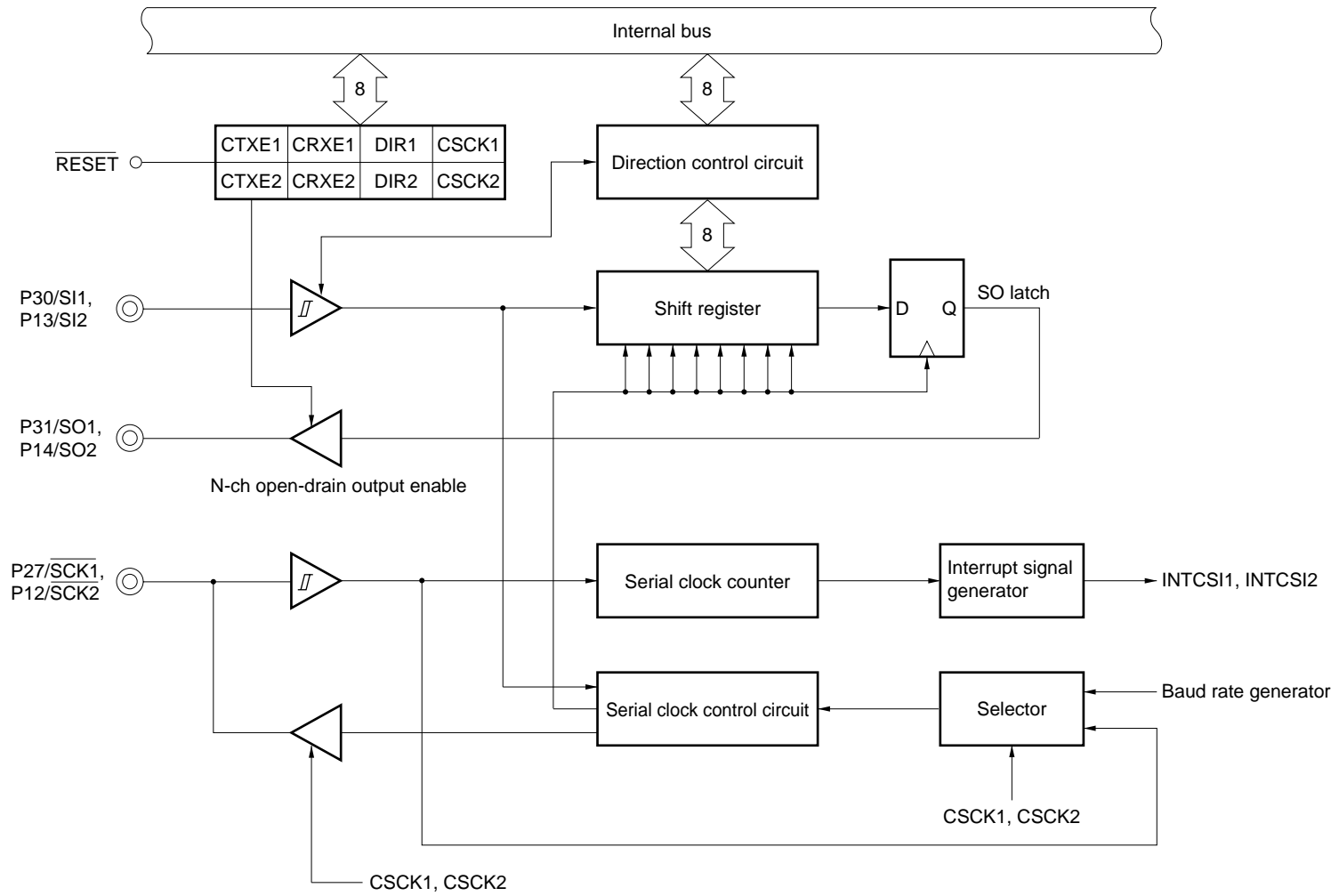


Note Handshake lines

18.3.1 Configuration in 3-wire serial I/O mode

The block diagram in the 3-wire serial I/O mode is shown in Figure 18-10.

Figure 18-10. 3-Wire Serial I/O Mode Block Diagram



(1) Serial shift register (SIO1/SIO2)

SIO1 and SIO2 convert 8-bit serial data to 8-bit parallel data, and vice versa. SIO1/SIO2 is used for both transmission and reception.

Actual transmit/receive operations are controlled by writing to/reading from SIO1/SIO2.

These registers can be read or written with an 8-bit manipulation instruction.

The contents of SIO1/SIO2 are undefined after $\overline{\text{RESET}}$ input.

(2) SO latch

The SO latch holds the SO1/SO2 pin output level.

(3) Serial clock selector (1/2n)

Generates and selects the serial clock to be used.

(4) Serial clock counter

Counts the serial clocks output or input in a transmit/receive operation, and checks that 8-bit data transmission/reception has been performed.

(5) Interrupt signal generator

Generates an interrupt request when 8 serial clocks have been counted by the serial clock counter.

(6) Selector

Selects whether data is input to the serial shift registers 1 and 2 (SIO1 and SIO2) from the SI1 and SI2 pins or output latches.

(7) Direction control circuit

Switches between MSB-first and LSB-first modes.

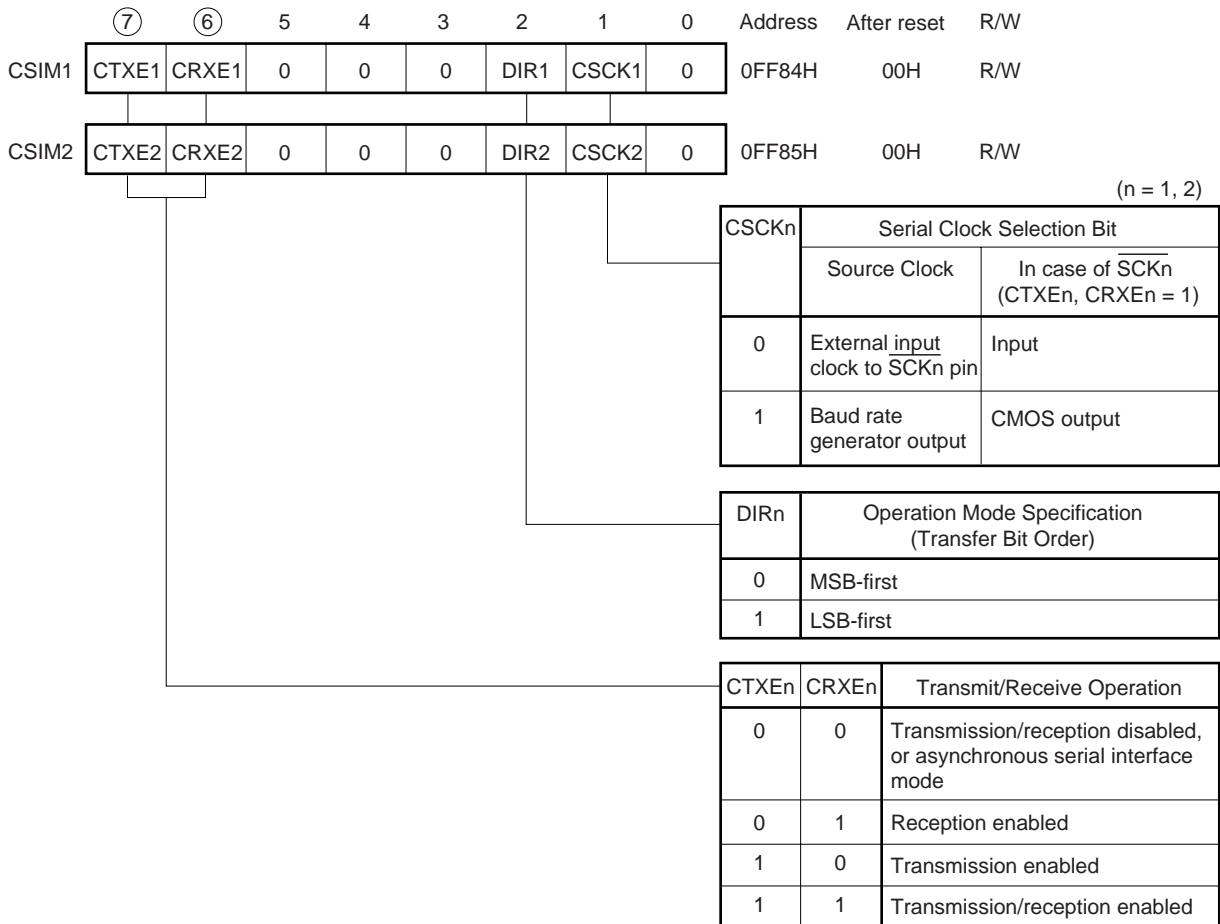
18.3.2 Clocked serial interface mode registers (CSIM1, CSIM2)

CSIM1 and CSIM2 are 8-bit registers that specify operations in the 3-wire serial I/O mode.

These registers can be read or written to with an 8-bit manipulation instruction or bit manipulation instruction. The CSIM1 and CSIM2 format is shown in Figure 18-11.

RESET input clears these registers to 00H.

Figure 18-11. Format of Clocked Serial Interface Mode Register 1 (CSIM1) and Clocked Serial Interface Mode Register 2 (CSIM2)



18.3.3 Basic operation timing

In the 3-wire serial I/O mode, data transmission/reception is performed in 8-bit units. Data is transmitted/received bit by bit in MSB-first or LSB-first order in synchronization with the serial clock.

MSB/LSB switching is specified by the DIR1 bit of the clock serial interface mode register (CSIM1).

Transmit data is output in synchronization with the fall of $\overline{SCK1}$, and receive data is sampled on the rise of $\overline{SCK1}$.

An interrupt request (INTCSI1) is generated on the 8th rise of $\overline{SCK1}$.

When the internal clock is used as $\overline{SCK1}$, $\overline{SCK1}$ output is stopped on the 8th rise of $\overline{SCK1}$ and $\overline{SCK1}$ remains high until the next data transmit or receive operation is started.

3-wire serial I/O mode timing is shown in Figure 18-12.

Figure 18-12. 3-Wire Serial I/O Mode Timing (1/2)

(a) MSB-first

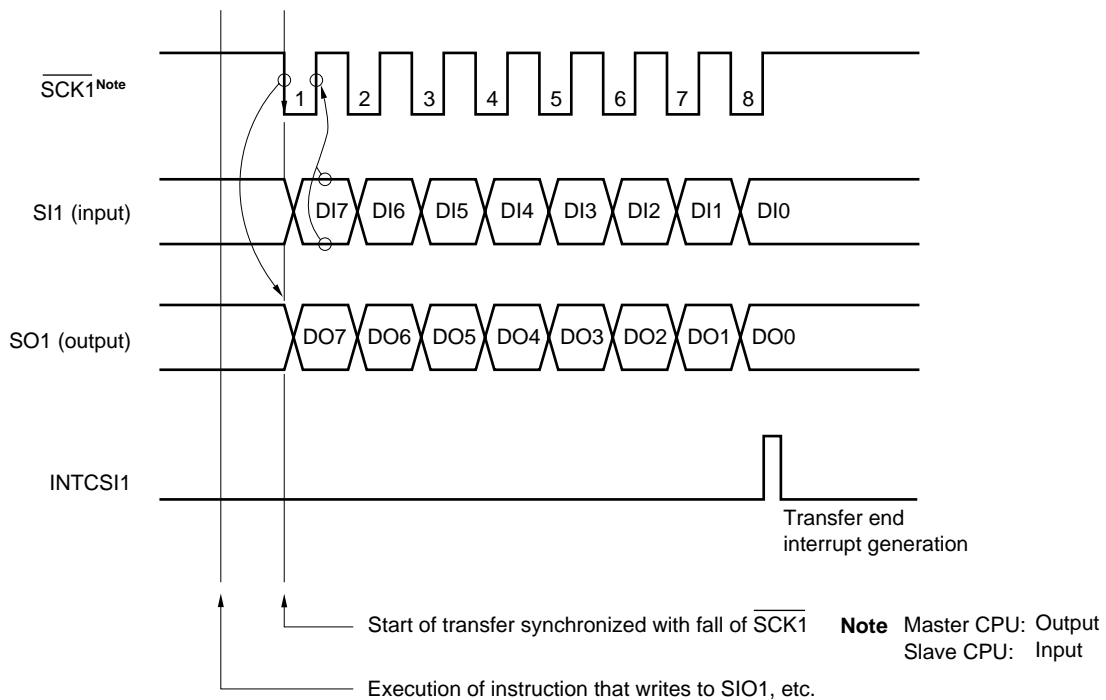
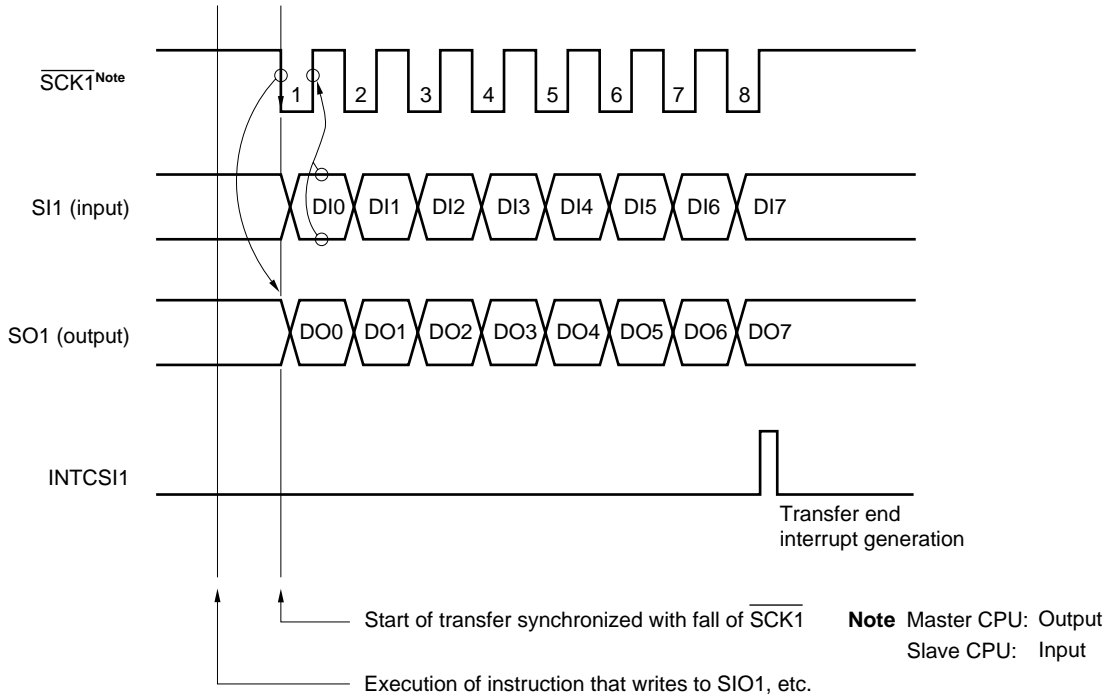


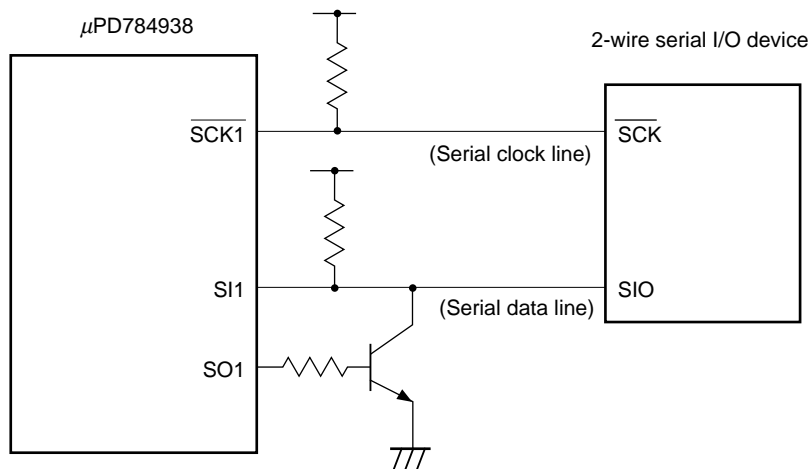
Figure 18-12. 3-Wire Serial I/O Mode Timing (2/2)

(b) LSB-first



Remark If the $\mu\text{PD784938}$ is connected to a 2-wire serial I/O device, a buffer should be connected to the SO1 pin as shown in Figure 18-13. In the example shown in Figure 18-13, the output level is inverted by the buffer, and therefore the inverse of the data to be output should be written to SIO1 . In addition, non-connection of the on-chip pull-up resistor should be specified for the P31/SO1 pin.

Figure 18-13. Example of Connection to 2-Wire Serial I/O



18.3.4 Operation when transmission only is enabled

A transmit operation is performed when the CTXE1 bit of clocked serial interface mode register (CSIM1) is set (to 1). The transmit operation starts when a write to the serial shift register (SIO1) is performed while the CTXE1 bit is set (to 1).

When the CTXE1 bit is cleared (to 0), the SO1 pin is in the output high level.

(1) When the internal clock is selected as the serial clock

When transmission starts, the serial clock is output from the $\overline{\text{SCK1}}$ pin and data is output in sequence from SIO1 to the SO1 pin in synchronization with the fall of the serial clock, and S11 pin signals are shifted into SIO1 in synchronization with the rise of the serial clock.

There is a delay of up to one $\overline{\text{SCK1}}$ clock cycle between the start of transmission and the first fall of $\overline{\text{SCK1}}$.

If transmission is disabled during the transmit operation (by clearing (to 0) the CTXE1 bit), $\overline{\text{SCK1}}$ clock output is stopped and the transmit operation is discontinued on the next rise of $\overline{\text{SCK1}}$. In this case an interrupt request (INTCSI1) is not generated, and the SO1 pin becomes output high level.

(2) When an external clock is selected as the serial clock

When transmission starts, data is output in sequence from SIO1 to the SO1 pin in synchronization with the fall of the serial clock input to the $\overline{\text{SCK1}}$ pin after the start of transmission, and S11 pin signals are shifted into SIO1 in synchronization with the rise of the $\overline{\text{SCK1}}$ pin input. If transmission has not started, shift operations are not performed and the SO1 pin output level does not change even if the serial clock is input to the $\overline{\text{SCK1}}$ pin.

If transmission is disabled during the transmit operation (by clearing (to 0) the CTXE1 bit), the transmit operation is discontinued and subsequent $\overline{\text{SCK1}}$ input is ignored. In this case an interrupt request (INTCSI1) is not generated, and the SO1 pin becomes output high level.

18.3.5 Operation when reception only is enabled

A receive operation is performed when the CRXE1 bit of the clocked serial interface mode register (CSIM1) is set (to 1). The receive operation starts when the CRXE1 changes from "0" to "1", or when a read from serial shift register (SIO1) is performed.

(1) When the internal clock is selected as the serial clock

When reception starts, the serial clock is output from the $\overline{\text{SCK1}}$ pin and the S11 pin data is fetched in sequence into serial shift register (SIO1) in synchronization with the rise of the serial clock.

There is a delay of up to one $\overline{\text{SCK1}}$ clock cycle between the start of reception and the first fall of $\overline{\text{SCK1}}$.

If reception is disabled during the receive operation (by clearing (to 0) the CRXE1 bit), $\overline{\text{SCK1}}$ clock output is stopped and the receive operation is discontinued on the next rise of $\overline{\text{SCK1}}$. In this case an interrupt request (INTCSI1) is not generated, and the contents of the SIO1 are undefined.

(2) When an external clock is selected as the serial clock

When reception starts, the S11 pin data is fetched into serial shift register (SIO1) in synchronization with the rise of the serial clock input to the $\overline{\text{SCK1}}$ pin after the start of reception. If reception has not started, shift operations are not performed even if the serial clock is input to the $\overline{\text{SCK1}}$ pin.

If reception is disabled during the receive operation (by clearing (to 0) the CRXE1 bit), the receive operation is discontinued and subsequent $\overline{\text{SCK1}}$ input is ignored. In this case an interrupt request (INTCSI1) is not generated.

18.3.6 Operation when transmission/reception is enabled

When the CTXE1 bit and CRXE1 bit of the clocked serial interface mode register (CSIM1) register are both set (1), a transmit operation and receive operation can be performed simultaneously (transmit/receive operation). The transmit/receive operation is started when the CRXE1 bit is changed from "0" to "1", or by performing a write to serial shift register (SIO1).

When a transmit/receive operation is started for the first time, the CRXE1 bit always changes from "0" to "1", and there is thus a possibility that the transmit/receive operation will start immediately, and undefined data will be output. The first transmit data should therefore be written to SIO1 beforehand when both transmission and reception are disabled (when the CTXE1 bit and CRXE1 bit are both cleared (to 0)), before enabling transmission/reception. However, specify whether data is transferred with MSB or LSB first before writing the SIO1. Even if the specification is made after writing the SIO1, the byte order of the data already stored in the SIO1 cannot be changed.

When transmission/reception is disabled (CTXE1 = CRXE1 = 0), the SO1 pin is in the output high level.

(1) When the internal clock is selected as the serial clock

When transmission/reception starts, the serial clock is output from the $\overline{\text{SCK1}}$ pin, data is output in sequence from serial shift register (SIO1) to the (SO1) pin in synchronization with the fall of the serial clock, and S11 pin data is shifted in order into SIO1 in synchronization with the rise of the serial clock.

There is a delay of up to one $\overline{\text{SCK1}}$ clock cycle between the start of transmission and the first fall of $\overline{\text{SCK1}}$.

If either transmission or reception is disabled during the transmit/receive operation, only the disabled operation is discontinued. If transmission only is disabled, the SO1 pin becomes output high level. If reception only is disabled, the contents of the SIO1 will be undefined.

If transmission and reception are disabled simultaneously, $\overline{\text{SCK1}}$ clock output is stopped and the transmit and receive operations are discontinued on the next rise of $\overline{\text{SCK1}}$. When transmission and reception are disabled simultaneously, the contents of SIO1 are undefined, an interrupt request (INTCSI1) is not generated, and the SO1 pin becomes output high level.

(2) When an external clock is selected as the serial clock

When transmission/reception starts, data is output in sequence from serial shift register (SIO1) to the SO1 pin in synchronization with the fall of the serial clock input to the $\overline{\text{SCK1}}$ pin after the start of transmission/reception, and S11 pin data is shifted in order into SIO1 in synchronization with the rise of the serial clock. If transmission/reception has not started, the SIO1 shift operations are not performed and the SO1 pin output level does not change even if the serial clock is input to the $\overline{\text{SCK1}}$ pin.

If either transmission or reception is disabled during the transmit/receive operation, only the disabled operation is discontinued. If transmission only is disabled, the SO1 pin becomes output high level. If reception only is disabled, the contents of the SIO1 will be undefined.

If transmission and reception are disabled simultaneously, the transmit and receive operations are discontinued and subsequent $\overline{\text{SCK1}}$ input is ignored. When transmission and reception are disabled simultaneously, the contents of SIO1 are undefined, an interrupt request (INTCSI1) is not generated, and the SO1 pin becomes output high level.

18.3.7 Corrective action in case of slippage of serial clock and shift operations

When an external clock is selected as the serial clock, there may be slippage between the number of serial clocks and shift operations due to noise, etc. In this case, since the serial clock counter is initialized by disabling both transmit operations and receive operations (by clearing (to 0) the CTXE1 bit and CRXE1 bit), synchronization of the shift operations and the serial clock can be restored by using the first serial clock input after reception or transmission is next enabled as the first clock.

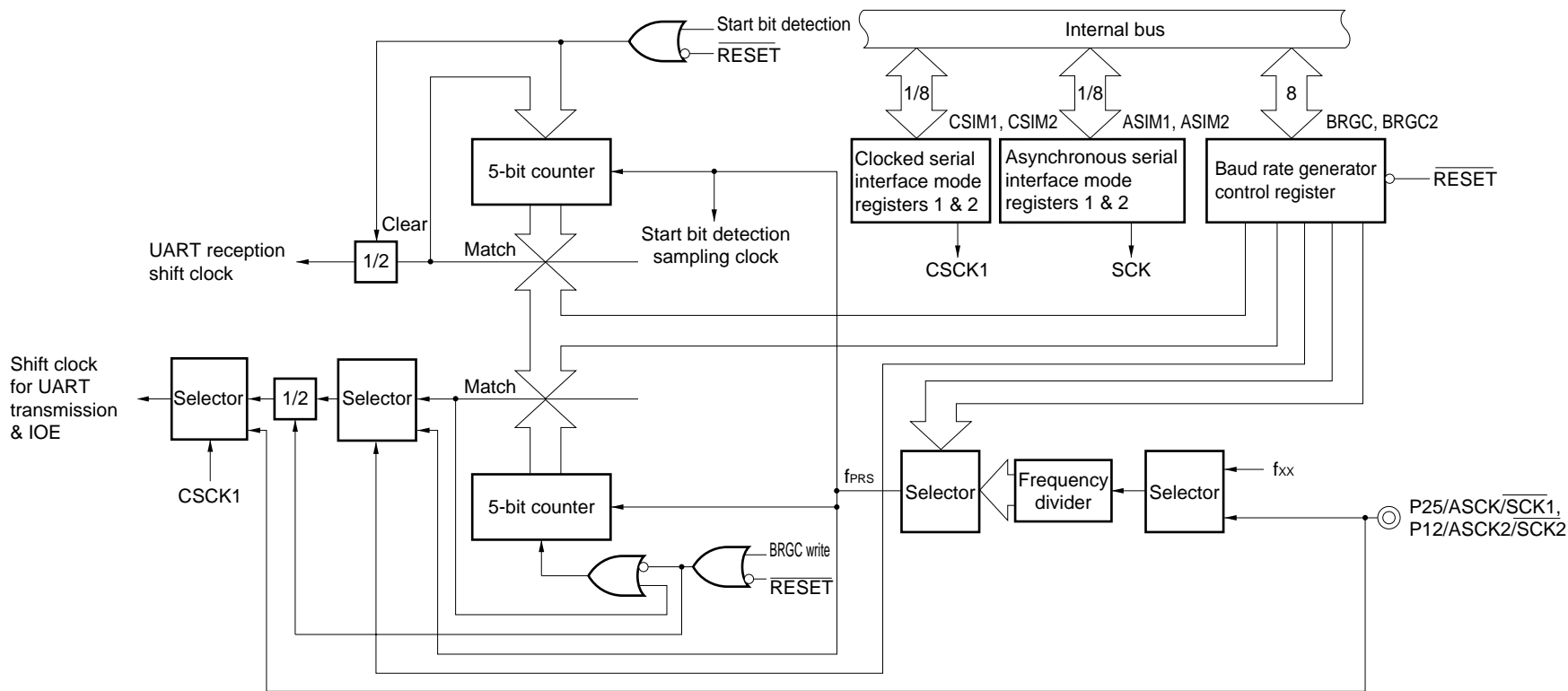
18.4 Baud Rate Generator

The baud rate generator is the circuit that generates the UART/IOE serial clock. Two independent circuits are incorporated, one for each serial interface.

18.4.1 Baud rate generator configuration

The baud rate generator block diagram is shown in Figure 18-14.

Figure 18-14. Baud Rate Generator Block Diagram



(1) 5-bit counter

Counter that counts the clock (f_{PRS}) by which the output from the frequency divider is selected. Generates a signal with the frequency selected by the low-order 4 bits of the baud rate generator control registers (BRGC/BRGC2).

(2) Frequency divider

Scales the internal clock (f_{xx}) or, in asynchronous serial interface mode, a clock that is twice the external baud rate input (ASCK/ASCK2), and selects f_{PRS} with the next-stage selector.

(3) Both-edge detection circuit

Detects both edges of the ASCK/ASCK2 pin input signal and generates a signal with a frequency twice that of the ASCK/ASCK2 input clock.

18.4.2 Baud rate generator control register (BRGC, BRGC2)

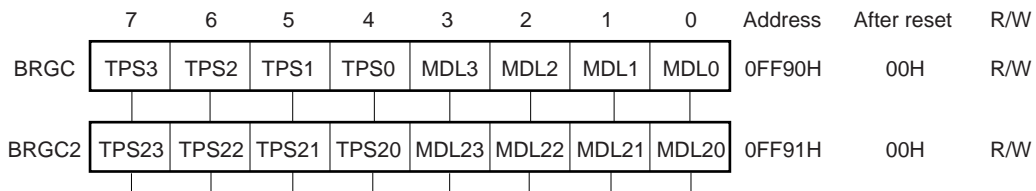
BRGC and BRGC2 are 8-bit registers that set the baud rate clock in asynchronous serial interface mode or the shift clock in 3-wire serial I/O mode.

These registers can be written to only with an 8-bit manipulation instruction. The BRGC and BRGC2 format is shown in Figure 18-15.

$\overline{\text{RESET}}$ input clears BRGC to 00H.

Caution When a baud rate generator control register (BRGC, BRGC2) write instruction is executed, the 5-bit counter and 1/2 frequency divider operations are reset. Consequently, if a write to the BRGC and BRGC2 is performed during communication, the generated baud rate clock may be disrupted, preventing normal communication from continuing. The BRGC and BRGC2 should therefore not be written to during communication.

Figure 18-15. Format of Baud Rate Generator Control Register (BRGC) and Baud Rate Generator Control Register 2 (BRGC2)



f_{PRS}: Prescaler output selection clock

MDL3	MDL2	MDL1	MDL0	k	Baud Rate Generator Input Clock ^{Note 1}
MDL23	MDL22	MDL21	MDL20		
0	0	0	0	0	f _{PRS} /16
0	0	0	1	1	f _{PRS} /17
0	0	1	0	2	f _{PRS} /18
0	0	1	1	3	f _{PRS} /19
0	1	0	0	4	f _{PRS} /20
0	1	0	1	5	f _{PRS} /21
0	1	1	0	6	f _{PRS} /22
0	1	1	1	7	f _{PRS} /23
1	0	0	0	8	f _{PRS} /24
1	0	0	1	9	f _{PRS} /25
1	0	1	0	10	f _{PRS} /26
1	0	1	1	11	f _{PRS} /27
1	1	0	0	12	f _{PRS} /28
1	1	0	1	13	f _{PRS} /29
1	1	1	0	14	f _{PRS} /30
1	1	1	1	15	f _{PRS} ^{Note 2}

Notes 1. Only f_{PRS}/16 can be selected when ASCK/ASCK2 input is used.
2. Can only be used in 3-wire serial I/O mode.

f_{xx}: Oscillator frequency or external clock input

TPS3	TPS2	TPS1	TPS0	n	12-Bit Prescaler Tap Selection (f _{PRS})	
TPS23	TPS22	TPS21	TPS20			
0	0	0	0	0	f _{xx} /2	f _{ASCK} /2 ^{Note}
0	0	0	1	1	f _{xx} /4	f _{ASCK} /4
0	0	1	0	2	f _{xx} /8	f _{ASCK} /8
0	0	1	1	3	f _{xx} /16	f _{ASCK} /16
0	1	0	0	4	f _{xx} /32	f _{ASCK} /32
0	1	0	1	5	f _{xx} /64	f _{ASCK} /64
0	1	1	0	6	f _{xx} /128	f _{ASCK} /128
0	1	1	1	7	f _{xx} /256	f _{ASCK} /256
1	0	0	0	8	f _{xx} /512	f _{ASCK} /512
1	0	0	1	9	f _{xx} /1,024	f _{ASCK} /1,024
1	0	1	0	10	f _{xx} /2,048	f _{ASCK} /2,048
1	0	1	1	11	f _{xx} /4,096	f _{ASCK} /4,096
Other than the above					Setting prohibited	

Note Can not be selected when the value set in bits MDL3 to MDL0, k = 15.

18.4.3 Baud rate generator operation

The baud rate generator only operates when UART/IOE transmit/receive operations are enabled. The generated baud rate clock is a signal scaled from the internal clock (f_{xx}) or a signal scaled from the clock input from the external baud rate input (ASCK) pin.

Caution If a write to the baud rate generator control register (BRGC) is performed during communication, the generated baud rate clock may be disrupted, preventing normal communication from continuing. The BRGC should therefore not be written to during communication.

(1) Baud rate clock generation in UART mode

(a) Using internal clock (f_{xx})

This function is selected by setting (to 1) bit 0 (SCK) of the asynchronous serial interface mode register (ASIM). The internal clock (f_{xx}) is scaled by the frequency divider, this signal (f_{PRS}) is scaled by the 5-bit counter, and the signal further divided by 2 is used as the baud rate. The baud rate is given by the following expression:

$$(\text{Baud rate}) = \frac{f_{xx}}{(k + 16) \cdot 2^{n+2}}$$

f_{xx} : Oscillator frequency or external clock input frequency

k: Value set in bits MDL3 to MDL0 of BRGC ($k = 0$ to 14)

n: Value set in bits TPS3 to TPS0 of BRGC ($n = 0$ to 11)

(b) Using external baud rate input

This function is selected by clearing (to 0) bit 0 (SCK) of the asynchronous serial interface mode register (ASIM). When this function is used, bits MDL3 to MDL0 of the baud rate generator control register (BRGC) must all be cleared (to 0) ($k = 0$).

When this function is used with UART2, it is necessary to set (to 1) bit 2 of the port 1 mode control register (PMC1) and set the P12 pin to control mode.

The ASCK pin input clock is scaled by the frequency divider, and the signal obtained by dividing this signal by 32 (f_{PRS}) (division by 16 and division by 2) is used as the baud rate. The baud rate is given by the following expression:

$$(\text{Baud rate}) = \frac{f_{\text{ASCK}}}{2^{n+6}}$$

f_{ASCK} : ASCK pin input clock frequency

n: Value set in bits TPS3 to TPS0 of BRGC ($n = 0$ to 11)

When this function is used, a number of baud rates can be generated by one external input clock.

(2) Serial clock generation in 3-wire serial I/O mode

Selected when the CSCK1 bit of the clocked serial interface mode register (CSIM1) is set (to 1) and $\overline{\text{SCK1}}$ is output.

(a) Normal mode

The internal clock (f_{xx}) is scaled by the frequency divider, this signal (f_{PRS}) is scaled by the 5-bit counter, and the signal further divided by 2 is used as the serial clock. The serial clock is given by the following expression:

$$(\text{Serial clock}) = \frac{f_{xx}}{(k + 16) \cdot 2^{n+2}}$$

f_{xx} : Oscillator frequency or external clock input frequency

k : Value set in bits MDL3 to MDL0 of BRGC ($k = 0$ to 14)

n : Value set in bits TPS3 to TPS0 of BRGC ($n = 0$ to 11)

(b) High-speed mode

When this function is used, bits MDL3 to MDL0 of the baud rate generator control register (BRGC) are all set (1) ($k = 15$).

The internal clock (f_{xx}) is scaled by the frequency divider, and this signal (f_{PRS}) divided by 2 is used as the serial clock. The serial clock is given by the following expression:

$$(\text{Serial clock}) = \frac{f_{xx}}{2^{n+2}}$$

f_{xx} : Oscillator frequency or external clock input frequency

n : Value set in bits TPS3 to TPS0 of BRGC ($n = 1$ to 11)

18.4.4 Baud rate setting in asynchronous serial interface mode

There are two methods of setting the baud rate, as shown in Table 18-3.

This table shows the range of baud rates that can be generated, the baud rate calculation expression and selection method for each case.

Table 18-3. Baud Rate Setting Methods

Baud Rate Clock Source		Selection Method	Baud Rate Calculation Expression	Baud Rate Range
Baud rate generator	Internal system clock	SCK in ASIM = 1	$\frac{f_{xx}}{(k + 16) \cdot 2^{n+2}}$	$\frac{f_{xx}}{245,760}$ to $\frac{f_{xx}}{64}$
	ASCK input	SCK in ASIM = 0	$\frac{f_{ASCK}}{2^{n+6}}$	$\frac{f_{ASCK}}{131,072}$ to $\frac{f_{ASCK}^{Note}}{64}$

Note Including f_{ASCK} input range: (0 to $f_{xx}/256$)

Remarks f_{xx} : Oscillator frequency or external clock input frequency

k: Value set in bits MDL3 to MDL0 of BRGC (k = 0 to 14; see Figure 18-15)

n: Value set in bits TPS3 to TPS0 of BRGC (n = 0 to 11; see Figure 18-15)

f_{ASCK} : ASCK input clock frequency (0 to $f_{xx}/4$)

(1) Examples of settings when baud rate generator is used

Examples of baud rate generator control register (BRGC) settings when the baud rate generator is used are shown below.

When the baud rate generator is used, the SCK bit of the asynchronous serial interface mode register (ASIM) should be set (to 1).

Table 18-4. Examples of BRGC Settings when Baud Rate Generator is Used

Oscillator Frequency (f_{xx}) or External Clock (f_x)	12.0 MHz		11.0592 MHz	
	BRGC Value	Error (%)	BRGC Value	Error (%)
Baud Rate [bps]				
75	A4H	2.34	A2H	0.00
110	9BH	1.36	99H	1.82
150	94H	2.34	92H	0.00
300	84H	2.34	82H	0.00
600	74H	2.34	72H	0.00
1,200	64H	2.34	62H	0.00
2,400	54H	2.34	52H	0.00
4,800	44H	2.34	42H	0.00
9,600	34H	2.34	32H	0.00
19,200	24H	2.34	22H	0.00
31,250	19H	0.00	16H	0.54
38,400	14H	2.34	12H	0.00
76,800	04H	2.34	02H	0.00

(2) Examples of settings when external baud rate input (ASCK) is used

Table 18-5 shows an example of setting when external baud rate input (ASCK) is used. When using the ASCK input, clear the SCK bit of the asynchronous serial interface mode register (ASIM) to 0, and set the corresponding pin in the control mode by using PMC3 or PMC1.

Table 18-5. Examples of Settings when External Baud Rate Input (ASCK) is Used

f_{ASCK} (ASCK Input Frequency)	153.6 kHz	4.9152 MHz
Baud Rate [bps]	BRGC Value	BRGC Value
75	50H	A0H
150	40H	90H
300	30H	80H
600	20H	70H
1,200	10H	60H
2,400	00H	50H
4,800	—	40H
9,600	—	30H
19,200	—	20H
38,400	—	10H
76,800	—	00H

18.5 Cautions

- (1) An asynchronous serial interface mode register (ASIM) rewrite should not be performed during a transmit operation. If an ASIM rewrite is performed during a transmit operation, subsequent transmit operations may not be possible (normal operation is restored by $\overline{\text{RESET}}$ input).
Software can determine whether transmission is in progress by using a transmission completion interrupt (INTST) or the interrupt request flag (STIF) set by INTST.
- (2) After $\overline{\text{RESET}}$ input the serial transmit shift register (TXS) is emptied but a transmission completion interrupt is not generated. A transmit operation can be started by writing transmit data to the TXS.
- (3) The serial receive buffer (RXB) must be read even if there is a receive error. If RXB is not read, an overrun error will occur when the next data is received, and the receive error state will continue indefinitely.
- (4) The contents of the asynchronous serial interface status register (ASIS) are cleared (to 0) by reading the serial receive buffer (RXB) or by reception of the next data. If you want to find the details of an error, therefore, ASIS must be read before reading RXB.
- (5) The baud rate generator control register (BRGC) should not be written to during communication. If a write instruction is executed, the 5-bit counter and 1/2 frequency divider operations will be reset, and the generated baud rate clock may be disrupted, preventing normal communication from continuing.
- (6) To specify the transfer bit order with CSIM1 and CSIM2 (bit 2 manipulation), do not set the CTXE and CRXE bits at the same time. If these bits are specified at the same time, the bit transfer order may not be as specified.

CHAPTER 19 3-WIRE SERIAL I/O MODE

The μ PD784938 has two channels of serial interfaces in 3-wire serial I/O mode (IOE0/IOE3).

The two channels of IOE have identical functions. Unless otherwise specified, therefore, IOE0 is explained in this chapter. To use IOE3, refer to Table 19-1 for the register name, bit name, and pin name of IOE3.

Table 19-1. Differences in Name between IOE0 and IOE3

Item	IOE0	IOE3
Pin name	P32/SCK0 P27/SI0 P33/SO0	P105/SCK3 P106/SI3 P107/SO3
Clocked serial interface mode register	CSIM	CSIM3
Clocked serial interface mode register bit names	ENC SI, DIR, CRXE, MOD, SELCL2 to SELCL0	ENC SI3, DIR3, CRXE3, MOD3, SELCL32 to SELCL30
Serial shift register	SIO	SIO3
Interrupt request name	INTCSI	INTCSI3

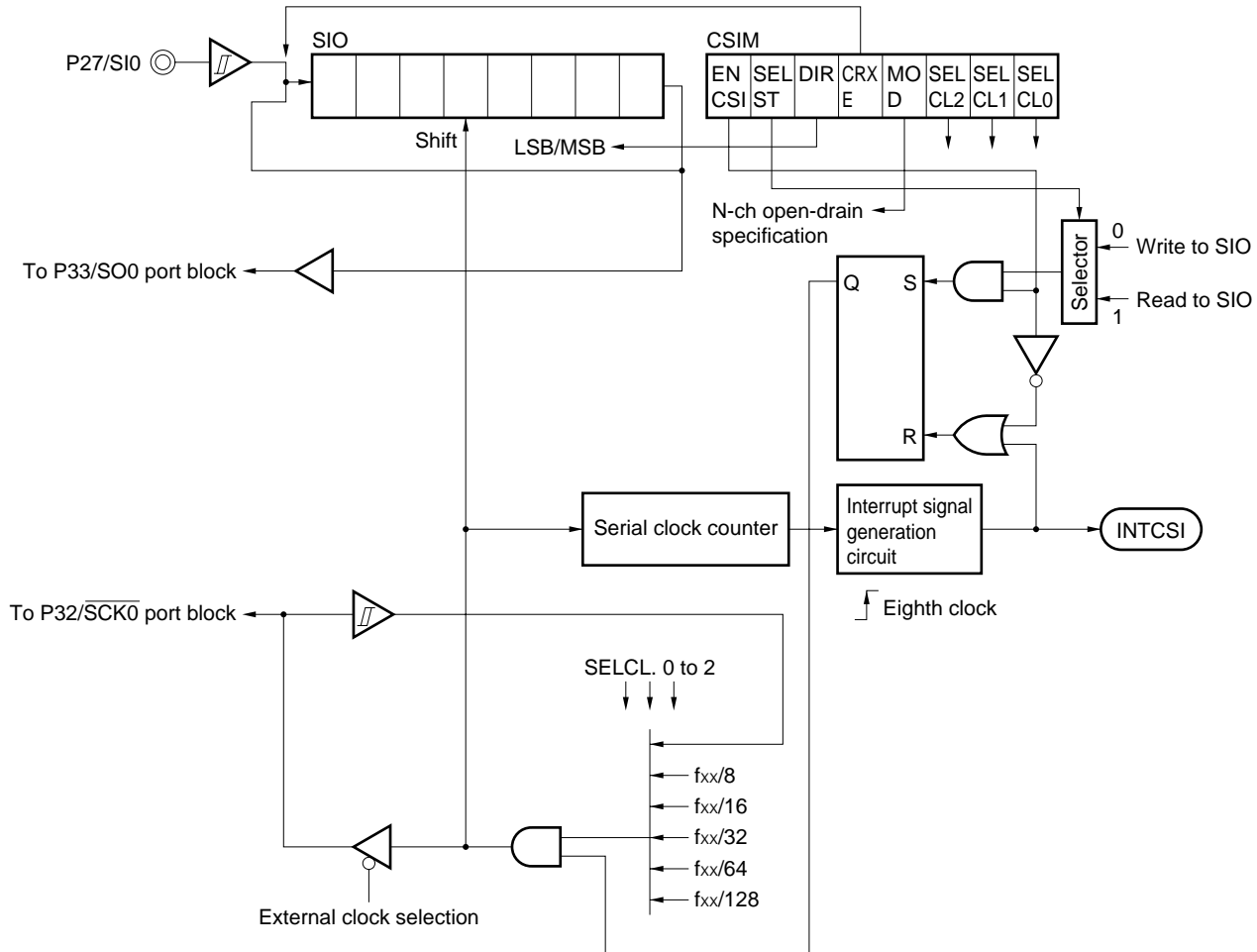
19.1 Function

In the 3-wire serial I/O mode (MSB/LSB first), basically, three lines are used for communication: serial clock ($\overline{\text{SCK0}}$), serial data output (SO0), and serial data input (SI0). Generally, a handshake line is necessary for checking the communication status.

19.2 Configuration

Figure 19-1 shows the block diagram of the clocked serial interface in the 3-wire serial I/O mode (note that the functions of both channels are identical).

Figure 19-1. Clocked Serial Interface Block Diagram



(1) Serial shift register (SIO)

The SIO converts 8-bit serial data to 8-bit parallel data, and vice versa. SIO is used for both transmission and reception. Data is received or transmitted starting from the MSB (or LSB). Actual transmit/receive operations are controlled by writing to/reading from SIO.

SIO can be read or written to with an 8-bit manipulation instruction. The contents of SIO are undefined after $\overline{\text{RESET}}$ input.

(2) Serial clock counter

Counts the serial clocks output or input in a transmit/receive operation, and checks that 8-bit data transmission/reception has been performed.

(3) Interrupt signal generator

An interrupt request is generated when 8 serial clocks have been counted by the serial clock counter.

19.3 Control Registers

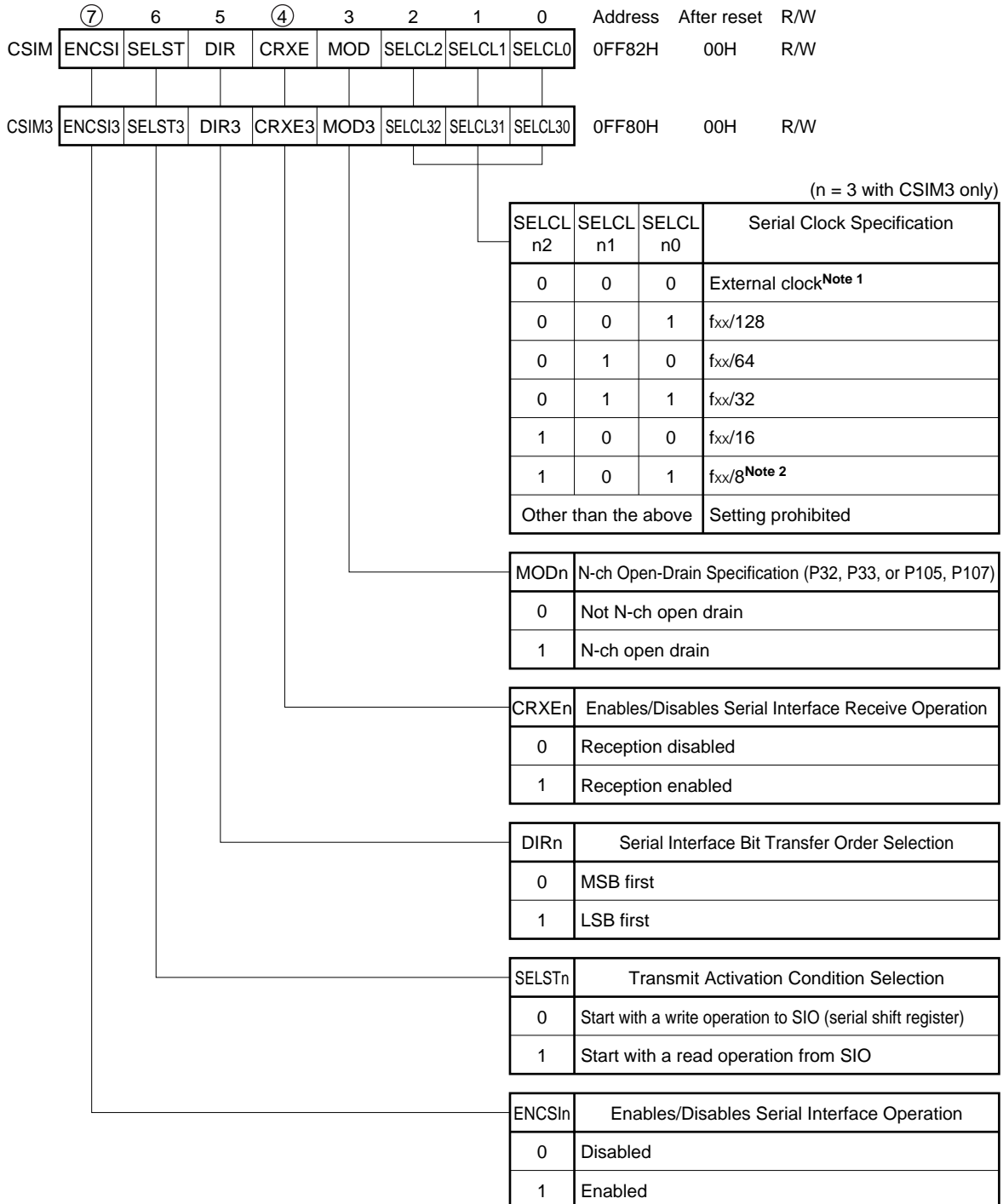
19.3.1 Clocked serial interface mode register (CSIM, CSIM3)

CSIM and CSIM3 are 8-bit registers that specify the serial interface operation mode (enable/disable), serial clock, etc.

These registers can be read or written to with an 8-bit manipulation instruction or bit manipulation instruction. The CSIM and CSIM3 format is shown in Figure 19-1.

RESET input clears these registers to 00H.

Figure 19-2. Format of Clocked Serial Interface Mode Register (CSIM) and Clocked Serial Interface Mode Register 3 (CSIM3)



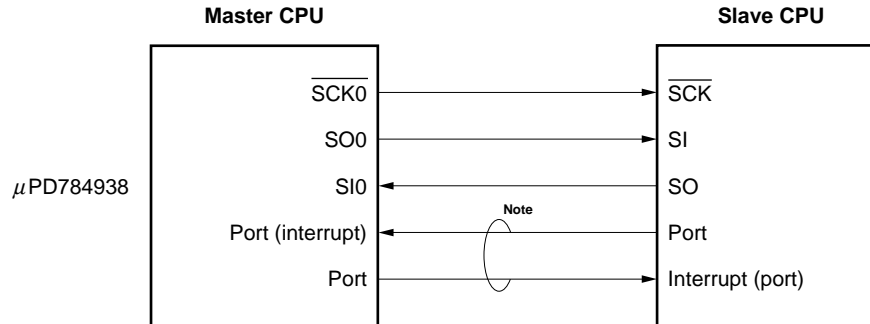
- Notes**
1. When the external clock is selected, the usable serial clock is $\text{MIN } f_{xx}/8$ in the case of $f_{\text{CLK}} = f_{xx}/1$; otherwise, it is $\text{MIN } f_{\text{CLK}}/4$.
 2. Setting is prohibited when the system clock ($f_{\text{CLK}} = f_{xx}/8$) is selected.

Caution When bit 3 is set, the P-ch of the output buffer is forcibly turned OFF. This channel is not affected by PM3 and PMC3, or PM10 and PMC10. Therefore, if the input or output mode is changed by using the PM register with bit 3 set in the port mode, the content of the port latch can be output and the pin level can be read in the N-ch open-drain mode.

19.4 3-Wire Serial I/O Mode

The 3-wire serial I/O mode is used to communicate with devices that incorporate a conventional clocked serial interface. Basically, communication is performed using three lines: the serial clock (SCK0), serial data output (SO0), and serial data input (SI0). Generally, a handshake line is necessary for checking the communication status.

Figure 19-3. Example of 3-Wire Serial I/O System Configuration



Note Handshake lines

19.4.1 Basic operation timing

In the 3-wire serial I/O mode, data transmission/reception is performed in 8-bit units. Data is transmitted/received bit by bit in MSB-first or LSB-first order in synchronization with the serial clock.

MSB first/LSB first switching is specified by the DIR bit of the clocked serial interface mode register (CSIM).

Transmit data is output in synchronization with the fall of $\overline{SCK0}$, and receive data is sampled on the rise of $\overline{SCK0}$.

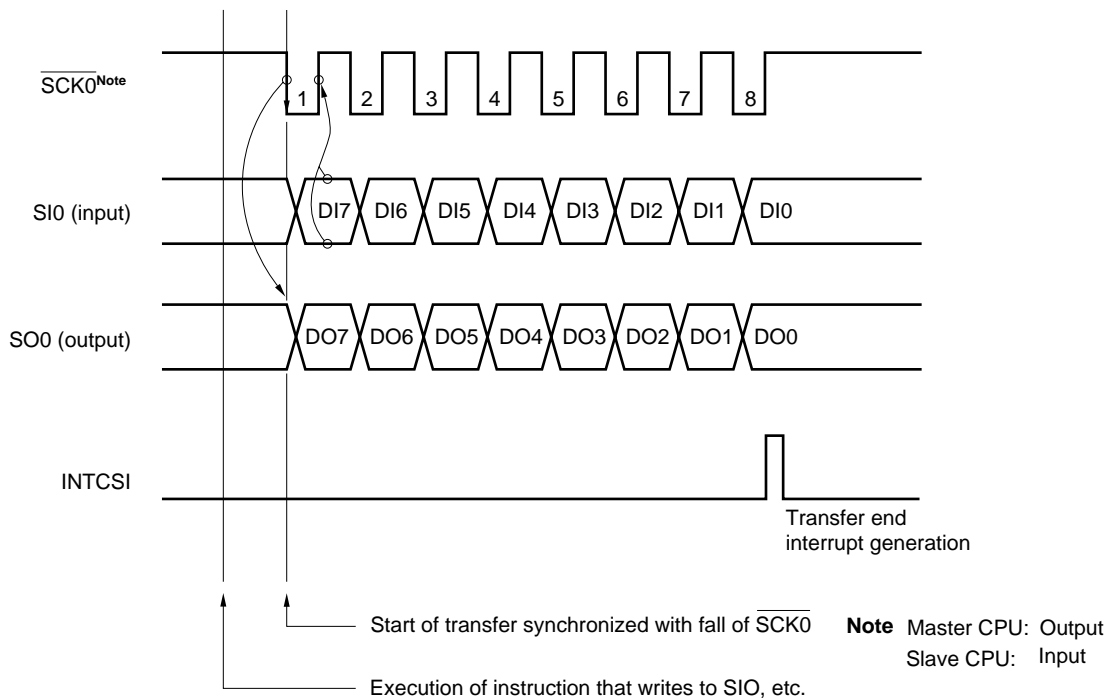
An interrupt request (INTCSI) is generated on the 8th rise of $\overline{SCK0}$.

When the internal clock is used as $\overline{SCK0}$, $\overline{SCK0}$ output is stopped on the 8th rise of $\overline{SCK0}$ and $\overline{SCK0}$ remains high until the next data transmit or receive operation is started.

3-wire serial I/O mode timing is shown in Figure 19-4.

Figure 19-4. 3-Wire Serial I/O Mode Timing (1/2)

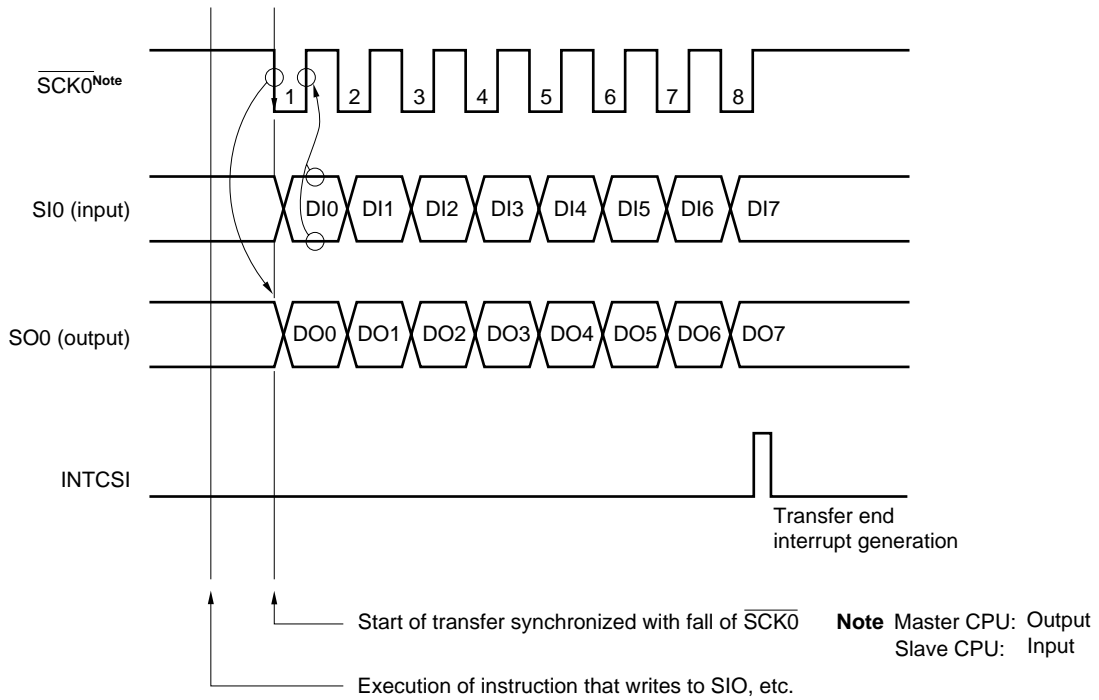
(a) MSB-first



- Cautions**
1. If data is written to SIO during transfer operation after the transfer was started by writing SIO, malfunctioning may occur. Therefore, do not rewrite SIO during the transfer operation.
 2. The operation is immediately stopped even during transfer operation if the ENCSI bit is cleared (to 0).

Figure 19-4. 3-Wire Serial I/O Mode Timing (2/2)

(b) LSB-first



In the 3-wire serial I/O mode, the SO0 pin functions as a CMOS push-pull output.

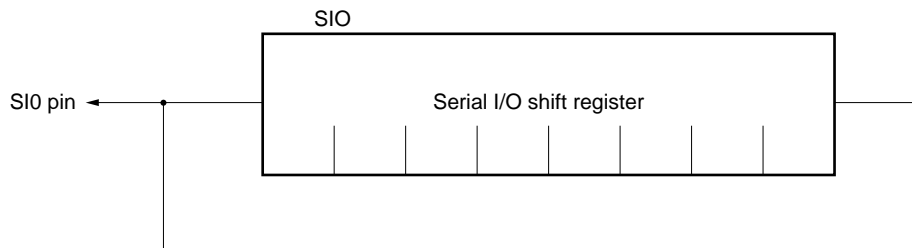
19.4.2 Operation when transmission only is enabled

When the CRXE bit of the clocked serial interface mode register (CSIM) is cleared (to 0), data is only transmitted and reception is disabled. Transmission is started when data is written to the serial shift register (SIO) with the ENCSI bit set (to 1).

Transmit data is input to SIO instead of the data received from the SIO pin. If reception is disabled, therefore, the transmit data can be saved without being lost.

If an instruction that writes data to SIO is executed when ENCSI = 1 and CRXE = 0, the data is transmitted in 1-bit units in synchronization with the serial clock. The data of the first bit is output from the SO0 pin, and at the same time, input to the last bit of SIO. When the transmission is completed by repeating this operation eight times, an interrupt request is generated.

Figure 19-5. Operation when Reception is Disabled



(a) When the internal clock is selected as the serial clock

When transmission starts, the serial clock is output from the $\overline{\text{SCK0}}$ pin and data is output in sequence from SIO to the SO0 pin in synchronization with the fall of the serial clock, and SIO pin signals are shifted into SIO in synchronization with the rise of the serial clock.

There is a delay of up to one $\overline{\text{SCK0}}$ clock cycle between the start of transmission and the first fall of $\overline{\text{SCK0}}$.

(b) When an external clock is selected as the serial clock

When transmission starts, data is output in sequence from SIO to the SO0 pin in synchronization with the fall of the serial clock input to the $\overline{\text{SCK0}}$ pin after the start of transmission, and SIO pin signals are shifted into SIO in synchronization with the rise of the $\overline{\text{SCK0}}$ pin input. If transmission has not started, shift operations are not performed and the SO0 pin output level does not change even if the serial clock is input to the $\overline{\text{SCK0}}$ pin.

If transmission is disabled during the transmit operation (by clearing (to 0) the ENCSI), the transmit operation is discontinued and subsequent $\overline{\text{SCK0}}$ input is ignored. In this case an interrupt request (INTCSI) is not generated.

Even if the serial clock is input to $\overline{\text{SCK0}}$ while the CTXE bit is cleared (to 0), shift operations are not performed and the SO0 pin output level does not change.

Caution When the external clock is selected, do not input the serial clock to the $\overline{\text{SCK0}}$ pin before setting transmit data to SIO after transmission has been started. Otherwise, undefined data may be output. Similarly, do not use the macro service when the external clock is selected.

19.4.3 Operation when reception only is enabled

To enable only reception, set (to 1) the ENCSI and CRXE bits of the clocked serial interface mode register (CSIM). Also set the P33/SO0 pin in the port mode by using the port 3 mode control register (PMC3) (if this pin is not set in the port mode, it outputs data). Reception can be started by reading the serial shift register (SIO).

19.4.4 Operation when transmission/reception is enabled

When the ENCSI bit and CRXE bit of the clocked serial interface mode register (CSIM) are both set (to 1), a transmit operation and receive operation can be performed simultaneously (transmit/receive operation). Both transmission and reception can be started by writing data to SIO when both the ENCSI and CRXE bits are set (to 1).

(a) When the internal clock is selected as the serial clock

When transmission/reception starts, the serial clock is output from the $\overline{\text{SCK0}}$ pin, data is output in sequence from serial shift register (SIO) to the SO0 pin in synchronization with the fall of the serial clock, and SIO pin data is shifted in order into SIO in synchronization with the rise of the serial clock.

There is a delay of up to one $\overline{\text{SCK0}}$ clock cycle between the start of transmission and the first fall of $\overline{\text{SCK0}}$.

(b) When an external clock is selected as the serial clock

When transmission/reception starts, data is output in sequence from serial shift register (SIO) to the SO0 pin in synchronization with the fall of the serial clock input to the $\overline{\text{SCK0}}$ pin after the start of transmission/reception, and SIO pin data is shifted in order into SIO in synchronization with the rise of the serial clock. If transmission/reception has not started, shift operations are not performed and the SO0 pin output level does not change even if the serial clock is input to the $\overline{\text{SCK0}}$ pin.

Caution When the external clock is selected, do not input the serial clock to the $\overline{\text{SCK0}}$ pin before setting transmit data to SIO after transmission has been started. Otherwise, undefined data may be output. Similarly, do not use the macro service when the external clock is selected.

19.4.5 Corrective action in case of slippage of serial clock and shift operations

When an external clock is selected as the serial clock, there may be slippage between the number of serial clocks and shift operations due to noise, etc. In this case, since the serial clock counter is initialized by disabling both transmit operations and receive operations (by clearing (to 0) the ENCSI bit), synchronization of the shift operations and the serial clock can be restored by using the first serial clock input after reception or transmission is next enabled as the first clock.

[MEMO]

CHAPTER 20 IEBus CONTROLLER

20.1 IEBus Controller Function

IEBus (Inter Equipment Bus) is a small-scale digital data transmission system that transmits data between units. To implement IEBus with the μ PD784938 Subseries, external IEBus driver and receiver are necessary because they are not provided.

The internal IEBus controller of the μ PD784938 Subseries is of negative logic.

20.1.1 Communication protocol of IEBus

The communication protocol of the IEBus is as follows:

(1) Multi-master mode

All the units connected to the IEBus can transmit data to the other units.

(2) Broadcasting communication function

Communication between one unit and plural units can be performed as follows:

- Group-unit broadcasting communication: Broadcasting communication to group units
- All-unit broadcasting communication: Broadcasting communication to all units.

(3) Effective transfer rate

The effective transfer rate is in mode 1 (the μ PD784938 does not support modes 0 and 2 of effective transfer rate).

- Mode 1: Approx. 17 kbps

Caution Different modes must not be mixed on one IEBus.

(4) Communication mode

Data transfer is executed in half-duplex asynchronous communication mode.

(5) Access control: CSMA/CD (Carrier Sense Multiple Access with Collision Detection)

The priority of the IEBus is as follows:

- <1> Broadcasting communication takes precedence over individual communication (communication from one unit to another).
- <2> The lower master address takes precedence.

(6) Communication scale

The communication scale of IEBus is as follows:

- Number of units: 50 MAX.
- Cable length: 150 m MAX. (when twisted pair cable is used)

Caution The communication scale in an actual system differs depending on the characteristics of the cables, etc., constituting the IEBus driver/receiver and IEBus.

20.1.2 Determination of bus mastership (arbitration)

An operation to occupy the bus is performed when a unit connected to the IEBus controls the other units. This operation is called arbitration.

When two or more units simultaneously start transmission, arbitration is to grant one of the units the permission to occupy the bus.

Because only one unit is granted the bus mastership as a result of arbitration, the priority condition of the bus is predetermined as follows:

Caution The bus mastership is released if communication is aborted.

(1) Priority by communication type

Broadcasting communication (communication from one unit to plural units) takes precedence over normal communication (communication from one unit to another).

(2) Priority by master address

If the communication type is the same, communication with the lower master address takes precedence.

A master address consists of 12 bits, with unit 000H having the highest priority and unit FFFH having the lowest priority.

20.1.3 Communication mode

Although the IEBus has three communication modes each having a different transfer rate, the μ PD784938 Subseries supports only communication mode 1. The transfer rate and the maximum number of transmit bytes in one communication frame in communication mode 1 are as shown in Table 20-1.

Table 20-1. Transfer Rate and Maximum Number of Transmit Bytes in Communication Mode 1

Communication Mode	Maximum Number of Transmit Bytes (bytes/frame)	Effective Transfer Rate (kbps) ^{Note}
1	32	Approx. 17

Note The effective transfer rate when the maximum number of transmit bytes is transmitted.

Select the communication mode (mode 1) for each unit connected to the IEBus before starting communication. If the communication mode of the master unit and that of the mating unit (slave unit) are not the same, communication is not correctly executed.

20.1.4 Communication address

With the IEBus, each unit is assigned a specific 12-bit address. This communication address consists of the following identification numbers:

High-order 4 bits: Group number (number to identify the group to which each unit belongs)

Low-order 8 bits: Unit number (number to identify each unit in a group)

20.1.5 Broadcasting communication

Normally, transmission or reception is performed between the master unit and its mating slave unit on a one-to-one basis. During broadcasting communication, however, two or more slave units exist and the master unit executes transmission to these slave units. Because plural slave units exist, the slave units do not return an acknowledge signal during communication.

Whether broadcasting communication or normal communication is to be executed is selected by broadcasting bit (for this bit, refer to **20.1.6 (2) Broadcasting request bit**).

Broadcasting communication can be classified into the following two types:

(1) Group-unit broadcasting communication

Broadcasting communication is performed to the units in a group identified by the group number indicated by the high-order 4 bits of the communication address.

(2) All-unit broadcasting communication

Broadcasting communication is performed to all the units, regardless of the value of the group number.

Group-unit broadcasting and all-unit broadcasting are identified by the value of the slave address (for the slave address, refer to **20.1.6 (4) Slave address field**).

20.1.6 Transmission format of IEBus

Figure 20-1 shows the transmission signal format of the IEBus.

Figure 20-1. IEBus Transmission Signal Format

Header		Master address field		Slave address field		Control field		Telegraph length field		Data field									
Frame format	Start bit	Broad-casting bit	Master address bit	P	Slave address bit	P	A	Control bit	P	A	Tele-graph length bit	P	A	Data bit	P	A	Data bit	P	A

Remarks 1. P: Parity bit, A: $\overline{\text{ACK}}$ /NACK bit

2. The master station ignores the acknowledge bit during broadcasting communication.

(1) Start bit

The start bit is a signal that informs the other units of the start of data transmission. The unit that is to start data transmission outputs a high-level signal (start bit) from the TX pin for a specific time, and then starts outputting the broadcasting bit.

If another unit has already output its start bit when one unit is to output the start bit, this unit does not output the start bit but waits for completion of output of the start bit by the other unit. When the output of the start bit by the other unit has completed, the unit starts outputting the broadcasting bit in synchronization with the completion of the start bit output by the other unit.

The units other than the one that has started communication detect this start bit, and enter the reception status.

(2) Broadcasting bit

This bit indicates whether the master selects one slave (individual communication) or plural slaves (broadcasting communication) as the other party of communication.

When the broadcasting request bit is 0, it indicates broadcasting communication; when it is 1, individual communication is indicated. Broadcasting communication is classified into two types: group-unit communication and all-unit communication. These communication types are identified by the value of the slave address (for the slave address, refer to **(4) Slave address field**).

Because two or more slave units exist in the case of broadcasting communication, the acknowledge bit in each field subsequent to the master address field is not returned.

If two or more units start transmitting a communication frame at the same time, broadcasting communication takes precedence over individual communication, and wins in arbitration.

If one station occupies the bus as the master, the value set to the broadcasting request bit (ALLRQ) of the bus control register (BCR) is output.

(3) Master address field

The master address field is output by the master to inform a slave of the master's address.

The configuration of the master address field is as shown in Figure 20-2.

If two or more units start transmitting the broadcasting bit at the same time, the master address field makes a judgment of arbitration.

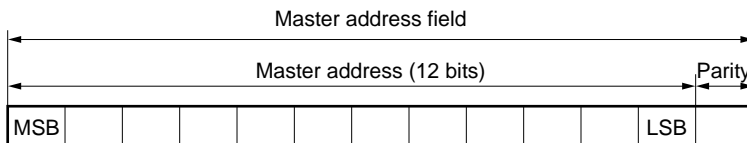
The master address field compares the data it outputs with the data on the bus each time it has output one bit. If the master address output by the master address field is found to be different from the data on the bus as a result of comparison, it is assumed that the master has lost in arbitration. As a result, the master stops transmission and enters the reception status.

Because the IEBus is configured of wired AND, the unit having the minimum master address of the units participating in arbitration (arbitration masters) wins in arbitration.

After a 12-bit master address has been output, only one unit remains in the transmission status as one master unit. Next, this master unit outputs a parity bit, determines the master address of other unit, and starts outputting a slave address field.

If one unit occupies the bus as the master, the address set by the unit address register (UAR) is output.

Figure 20-2. Master Address Field



(4) Slave address field

The master outputs the address of the unit with which it is to communicate.

Figure 20-3 shows the configuration of the slave address field.

A parity bit is output after a 12-bit slave address has been transmitted in order to prevent a wrong slave address from being received by mistake. Next, the master unit detects an acknowledge signal from the slave unit to confirm that the slave unit exists on the bus. When the master has detected the acknowledge signal, it starts outputting the control field. During broadcasting communication, however, the master does not detect the acknowledge bit but starts outputting the control field.

The slave unit outputs the acknowledge signal if its slave address coincides and if the slave detects that the parities of both the master address and slave address are even. The slave unit judges that the master address or slave address has not been correctly received and does not output the acknowledge signal if the parities are odd. At this time, the master unit is in the standby (monitor) status, and communication ends.

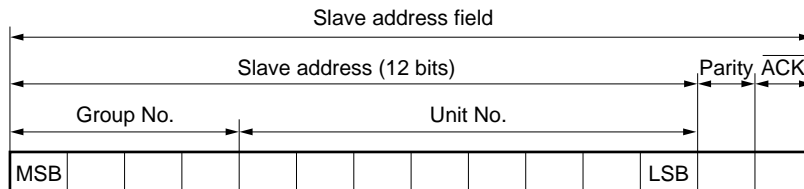
During broadcasting communication, the slave address is used to identify group-unit broadcasting or all-unit broadcasting, as follows:

- If slave address is FFFH: All-unit broadcasting communication
- If slave address is other than FFFH: Group-unit broadcasting communication

Remark The group No. during group-unit broadcasting communication is the value of the high-order 4 bits of the slave address.

If one unit occupies the bus as the master, the address set by the slave address register (SAR) is output.

Figure 20-3. Slave Address Field



(5) Control field

The master outputs the operation it requires the slave to perform, by using this field.

The configuration of the control field is as shown in Figure 20-4.

If the parity following the control bit is even and if the slave unit can execute the function required by the master unit, the slave unit outputs an acknowledge signal and starts outputting the telegraph length field. If the slave unit cannot execute the function required by the master unit even if the parity is even, or if the parity is odd, the slave unit does not output the acknowledge signal, and returns to the standby (monitor) status.

The master unit starts outputting the telegraph field after confirming the acknowledge signal.

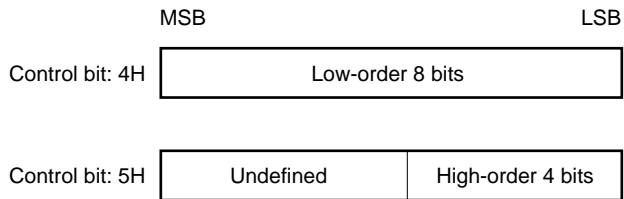
If the master cannot confirm the acknowledge signal, the master unit enters the standby status, and communication ends. During broadcasting communication, however, the master unit does not confirm the acknowledge signal, and starts outputting the telegraph length field.

Table 20-2 shows the contents of the control bits.

Table 20-2. Contents of Control Bits

Bit 3 ^{Note 1}	Bit 2	Bit 1	Bit 0	Function
0	0	0	0	Reads slave status
0	0	0	1	Undefined
0	0	1	0	Undefined
0	0	1	1	Reads data and locks ^{Note 2}
0	1	0	0	Reads lock address (low-order 8 bits) ^{Note 3}
0	1	0	1	Reads lock address (high-order 4 bits) ^{Note 3}
0	1	1	0	Reads slave status and unlocks ^{Note 2}
0	1	1	1	Reads data
1	0	0	0	Undefined
1	0	0	1	Undefined
1	0	1	0	Writes command and locks ^{Note 2}
1	0	1	1	Writes data and locks ^{Note 2}
1	1	0	0	Undefined
1	1	0	1	Undefined
1	1	1	0	Writes command
1	1	1	1	Writes data

- Notes**
1. The telegraph length bit of the telegraph length field and data transfer direction of the data field change as follows depending on the value of bit 3 (MSB).
 If bit 3 is '1': Transfer from master unit to slave unit
 If bit 3 is '0': Transfer from slave unit to master unit
 2. This is a control bit that specifies locking or unlocking (refer to **20.1.7 (4) Locking and unlocking**).
 3. The lock address is transmitted in 1-byte (8-bit) units and is configured as follows:



If the control bit received from the master unit is not as shown in Table 20-3, the unit locked by the master unit rejects accepting the control bit, and does not output the acknowledge bit.

Table 20-3. Control Field for Locked Slave Unit

Bit 3	Bit 2	Bit 1	Bit 0	Function
0	0	0	0	Reads slave status
0	1	0	0	Reads lock address (low-order 8 bits)
0	0	0	1	Reads lock address (high-order 4 bits)

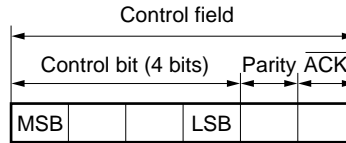
If the unlocked unit receives the control data shown in Table 20-4, the unit rejects accepting the control data and does not output the acknowledge bit.

Table 20-4. Control Field for Unlocked Slave Unit

Bit 3	Bit 2	Bit 1	Bit 0	Function
0	1	0	0	Interrupts lock address (low-order 8 bits)
0	1	0	1	Interrupts lock address (high-order 4 bits)

If one unit occupies the bus as the master, the value set to the control data register (CDR) is output.

Figure 20-4. Control Field



(6) Telegraph length field

This field is output by the transmission side to inform the reception side of the number of bytes of the transmit data. The configuration of the telegraph length field is as shown in Figure 20-5.

Table 20-5 shows the relation between the telegraph length bit and the number of transmit data.

Figure 20-5. Telegraph Length Field

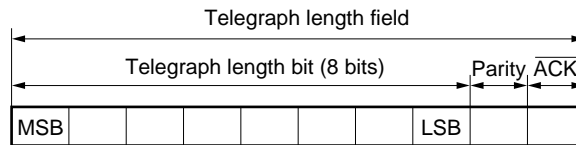


Table 20-5. Contents of Telegraph Length Bit

Telegraph Length Bit (Hex)	Number of Transmit Data Bytes
01H	1 byte
02H	2 bytes
FFH	255 bytes
00H	256 bytes

The operation of the telegraph length field differs depending on whether the master transmits (when control bit 3 is 1) or receives (when control bit 3 is 0) data.

<1> When master transmits data

The telegraph length bit and parity bit are output by the master unit. When the slave unit detects that the parity is even, it outputs the acknowledge signal, and starts outputting the data field. During broadcasting communication, however, the slave unit does not output the acknowledge signal.

If the parity is odd, the slave unit judges that the telegraph length bit has not been correctly received, does not output the acknowledge signal, and returns to the standby (monitor) status. At this time, the master unit also returns to the standby status, and communication ends.

<2> When master receives data

The telegraph length bit and parity bit are output by the slave unit. If the master unit detects that the parity bit is even, it outputs the acknowledge signal.

If the parity bit is odd, the master unit judges that the telegraph length bit has not been correctly received, does not output the acknowledge signal, and returns to the standby status. At this time, the slave unit also returns to the standby status, and communication ends.

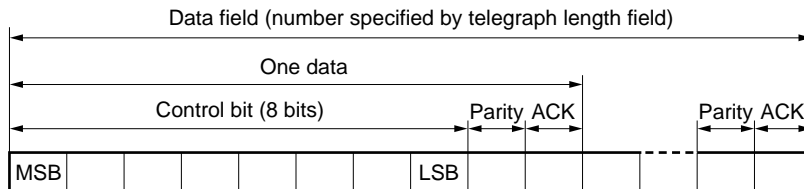
(7) Data field

This is data output by the transmission side.

The master unit transmits or receives data to or from a slave unit by using the data field.

The configuration of the data field is as shown in Figure 20-6.

Figure 20-6. Data Field



Following the data bit, the parity bit and acknowledge bit are respectively output by the master unit and slave unit. Broadcasting communication is used only when the master unit transmits data. At this time, the acknowledge bit is ignored.

The operation differs as follows depending on whether the master transmits or receives data.

<1> When master transmits data

When the master unit writes data to a slave unit, the master unit transmits the data bit and parity bit to the slave unit. If the parity is even and receive data is not stored in the data register (DR) when the slave unit receives the data bit and parity bit, the slave unit outputs an acknowledge signal. If the parity is odd or if receive data is stored in the DR, the slave unit rejects receiving the data, and does not output the acknowledge signal.

If the slave unit does not output the acknowledge signal, the master unit transmits the same data again. This operation continues until the master detects the acknowledge signal from the slave unit, or the data exceeds the maximum number of transmit bytes.

If the data is continuous and the maximum number of transmit bytes is not exceeded when the parity is even and when the slave unit outputs the acknowledge signal, the master unit transmits the next data.

During broadcast communication, the slave unit does not output the acknowledge signal, and the master unit transfers 1 byte of data at a time. During broadcast communication, the slave unit receives the data and parity bits, and if the parity is odd or receive data is stored in the DR, reception is considered not to have been performed correctly and is stopped.

<2> When master receives data

When the master unit reads data from a slave unit, the master unit outputs a sync signal corresponding to all the read bits.

The slave unit outputs the contents of the data and parity bits to the bus in response to the sync signal from the master unit.

The master unit reads the data and parity bits output by the slave unit, and checks the parity.

If the parity is odd or the DR is receiving data, the master unit refuses to acknowledge this data and does not output the acknowledge signal. If the maximum number of transmit bytes is a value within the range that can be transmitted in one communication frame, the master unit repeats reading the same data.

If the parity is even and the DR is not receiving data, the master unit accepts the data and returns the acknowledge signal. If the maximum number of transmit bytes is within the value that can be transmitted in one frame, the master unit reads the next data.

(8) Parity bit

The parity bit is used to confirm that the transmit data has no error.

The parity bit is appended to each data of the master address, slave address, control, telegraph length, and data bits.

The parity is an even parity. If the number of bits in the data that are '1' is odd, the parity bit is '1'. If the number of bits in the data that are '1' is even, the parity bit is '0'.

(9) Acknowledge bit

During normal communication (communication from one unit to another), an acknowledge bit is appended to the following locations to confirm that the data has been correctly received.

- End of slave address field
- End of control field
- End of telegraph length field
- End of data field

The definition of the acknowledge bit is as follows:

- '0': Indicates that the transmit data is recognized ($\overline{\text{ACK}}$).
- '1': Indicates that the transmit data is not recognized (NACK).

During broadcast communication, however, the content of the acknowledge bit is ignored.

<1> Last acknowledge bit of slave address field

The last acknowledge bit of the slave address field serves as NACK in any of the following cases, and transmission is stopped.

- If the parity of the master address bit or slave address bit is incorrect
- If a timing error (error in bit format) occurs
- If a slave unit does not exist

<2> Last acknowledge bit of control field

The last acknowledge bit of the control field serves as NACK in any of the following cases, and transmission is stopped.

- If the parity of the control bit is incorrect
- When control bit 3 is "1" (write operation) when the slave receive enable flag (ENSLVRX)^{Note} is not set
- When control bits for which ENSLVRX^{Note} is not set are data read (3H, 7H)
- If control bits 3H, 6H, 7H, AH, BH, EH, or FH are requested from a unit other than one for which lock has been set
- If the control bit indicates reading of a lock address (4H or 5H) even when locking is not set
- If a timing error occurs
- If the control bit is undefined

Note Bit 3 of the bus control register (BCR)

Cautions 1. When the slave status request control data is received even if the slave transmit enable flag (ENSLVTX) is not set, $\overline{\text{ACK}}$ is always returned.

2. When data/command write control data is received even when the slave receive enable flag (ENSLVRX) is not set, the control field acknowledge bit returns NACK.

Prohibiting receive operations (stopping communication) using ENSLVRX is limited to individual communication. In the case of broadcast communication, communication continues until a data request interrupt (INTIE1) or end interrupt (INTIE2) is generated.

<3> Last acknowledge bit of telegraph length field

The last acknowledge bit of the telegraph length field serves as NACK in any of the following cases, and transmission is stopped.

- If the parity of the telegraph length bit is incorrect
- If a timing error occurs

<4> Last acknowledge bit of data field

The last acknowledge bit of the data field serves as NACK in any of the following cases, and transmission is stopped.

- If the parity of the data bit is incorrect^{Note}
- If a timing error occurs after the preceding acknowledge bit has been transmitted
- When receive data is stored in the data register (DR), and no more data can be accepted^{Note}.

Note In this case, for the individual communication, if the maximum number of transmission bytes is a value within the range that can be transmitted in one frame, the transmission side performs transmission of that data field again. In the case of broadcast communication, the transmission side does not perform transmission of that data field again, and a transmission error occurs on the receiving side and reception is stopped.

20.1.7 Transmit data

(1) Slave status

The master unit can learn why the slave unit did not return the acknowledge bit (\overline{ACK}), by reading the slave status. The slave status is determined depending on the result of the last communication the slave unit has executed. All the slave units can supply information on the slave status. Table 20-6 shows the meaning of the slave status.

Figure 20-7. Bit Configuration of Slave Status

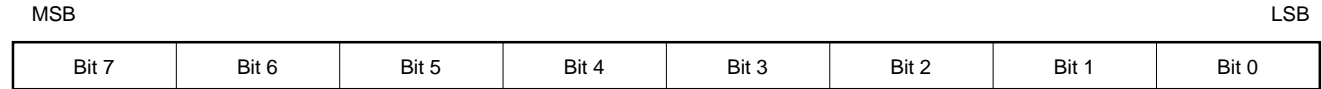


Table 20-6. Meaning of Slave Status

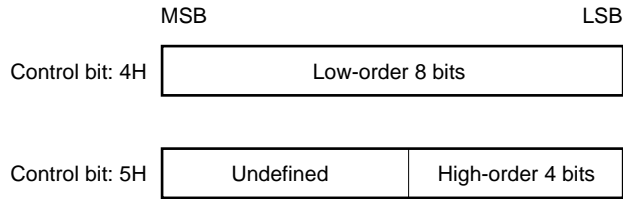
Bit	Value	Meaning	
Bit 0 ^{Note 1}	0	Transmit data is not written to data register (DR)	
	1	Transmit data is written to DR	
Bit 1 ^{Note 2}	0	Receive data is not saved to DR	
	1	Receive data is saved to DR	
Bit 2	0	Unit is not locked	
	1	Unit is locked	
Bit 3	0	Fixed to '0'	
Bit 4 ^{Note 3}	0	Slave transmission is stopped	
	1	Slave transmission is ready	
Bit 5	0	Fixed to '0'	
Bit 7	00	Mode 0	Indicates highest mode supported by unit ^{Note 4}
Bit 6	01	Mode 1	
	10	Mode 2	
	11	Not used	

- Notes**
1. The value of this buffer of the μ PD784938 Subseries is initialized to 1 at reset.
 2. The receive buffer of the μ PD784938 Subseries has a capacity of 1 byte.
 3. When the μ PD784938 Subseries serves as a slave unit, this bit corresponds to the status indicated by bit 4 (ENSLVTX) of the bus control register (BCR).
 4. When the μ PD784938 Subseries serves as a slave unit, bits 7 and 6 are fixed to '0' and '1' (mode 1), respectively.

(2) Lock address

When the lock address is read (control bit: 4H or 5H), the address (12 bits) of the master unit that has issued the lock instruction is configured in 1-byte units as shown below and read.

Figure 20-8. Configuration of Lock Address



(3) Data

If the control bit indicates reading of data (3H or 7H), the data in the data buffer of the slave unit is read by the master unit.

If the control bit indicates writing of data (BH or FH), the data received by the slave unit is processed according to the operation rule of that slave unit.

(4) Locking and unlocking

The lock function is used when a message is transferred in two or more communication frames.

The unit that is locked does not receive data from units other than the one that has locked the unit.

A unit is locked or unlocked as follows:

<1> Locking

If the communication frame is completed without succeeding in transmission or reception of the data of the number of bytes specified by the telegraph length bit after the acknowledge bit '0' of the telegraph length field has been transmitted or received by the control bit that specifies locking (3H, AH, or BH), the slave unit is locked by the master unit. At this time, the bit (bit 2) in the byte indicating the slave status is set to '1'.

<2> Unlocking

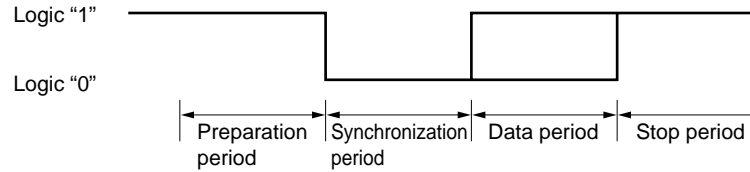
After transmitting or receiving data of the number of data bytes specified by the telegraph length bit in one communication frame by the control bit that has specified locking (3H, AH, or BH), or the control bit that has specified unlocking (6H), the slave unit is unlocked by the master unit. At this time, the bit related to locking (bit 2) in the byte indicating the slave status is reset to '0'.

Locking or unlocking is not performed during broadcasting communication.

20.1.8 Bit format

Figure 20-9 shows the format of the bits constituting the communication frame of the IEBus.

Figure 20-9. Bit Format of IEBus



Preparation period: First low-level (logic "1") period

Synchronization period: Next high-level (logic "0") period

Data period: Period indicating value of bit

Stop period: Last low-level (logic "1") period

The synchronization period and data period are almost equal to each other in length.

The IEBus synchronizes each 1 bit. The specifications on the time of the entire bit and the time related to the period allocated to that bit differ depending on the type of the transmit bit, or whether the unit is the master unit or a slave unit.

20.2 Simple IEBus Controller

The μ PD784938 has a newly developed IEBus controller. The functions of this IEBus controller are limited as compared with the IEBus interface functions of the existing models (provided to the 78K/0 Series).

Table 20-7 compares the IEBus interface functions of the existing models with the simple IEBus interface functions of the μ PD784938 Subseries.

Table 20-7. Comparison between Existing and Simple IEBus Interface Functions

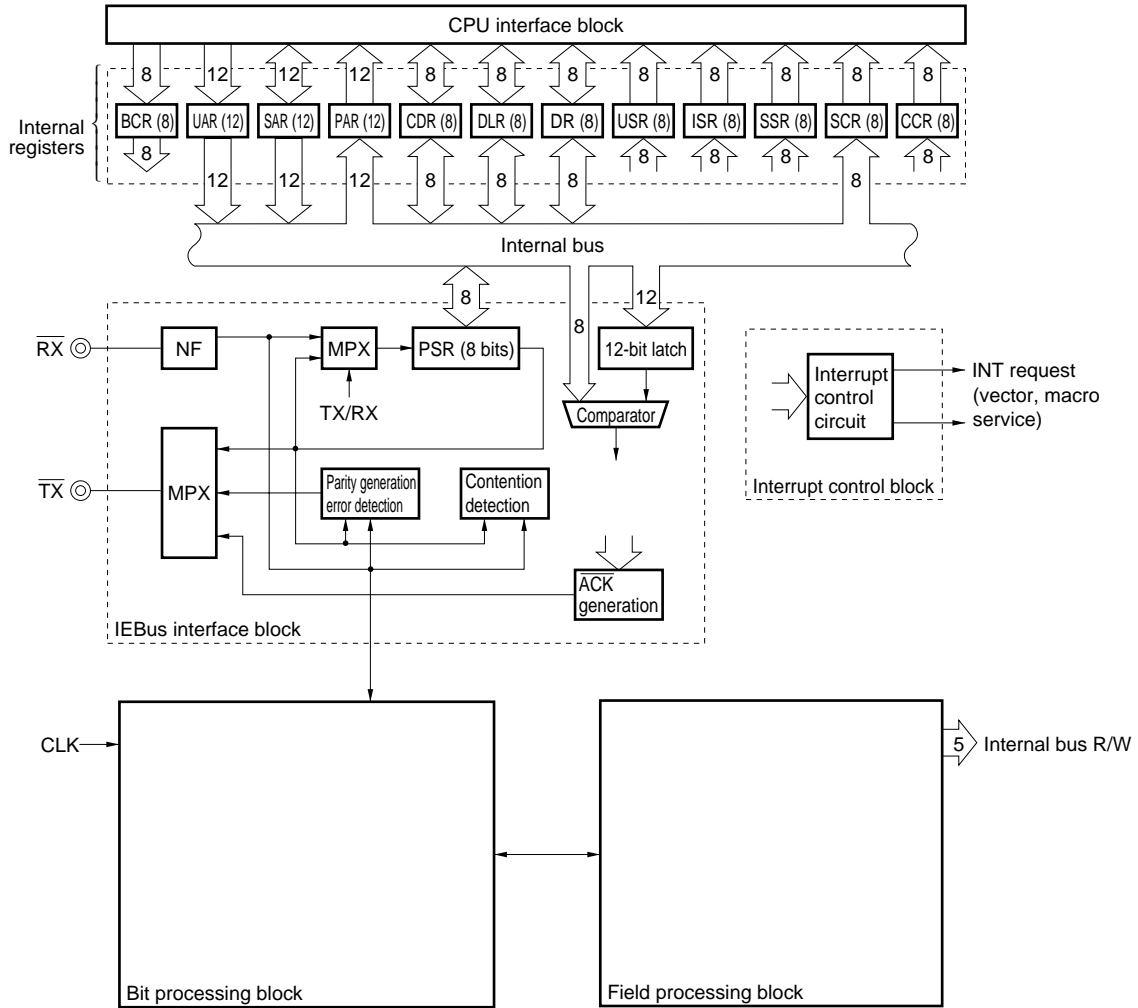
Item	Existing Function (IEBus of 78K/0)	Simple IEBus
Communication mode	Modes 0, 1, and 2	Fixed to mode 1
Internal system clock	6.0 (6.29) MHz	
Internal buffer size	Transmit buffer: 33 bytes (FIFO) Receive buffer: 40 bytes (FIFO) Up to 4 frames can be received.	Transmit/receive data register
CPU processing	Communication start preprocessing (data setting) Setting and management of each communication status Writing data to transmit buffer Reading data from receive buffer	Communication start preprocessing (data setting) Setting and management of each communication status 1-byte data write processing 1-byte data read processing Management of transmission such as slave status Management of plural frames, master request reprocessing
Hardware processing	Bit processing (modulation/demodulation, error detection) Field processing (generation/management) Arbitration result detection Parity processing (generation/error detection) Automatic return of $\overline{\text{ACK}}/\text{NACK}$ Automatic data re-processing Automatic master re-processing ^{Note} Transmission processing such as automatic slave status transmission Plural-frame reception processing	Bit processing (modulation/demodulation, error detection) Field processing (generation/management) Arbitration result detection Parity processing (generation/error detection) Automatic return of $\overline{\text{ACK}}/\text{NACK}$ Automatic data transmission re-processing

Note Automatic master re-processing: After generating the master request, if the master request is cancelled by arbitration, etc., the bus is released and automatically re-issue the master request.

20.3 IEBus Controller Configuration

Figure 20-10 shows the block diagram of the IEBus controller.

Figure 20-10. IEBus Controller Block Diagram



- **Hardware configuration and function**

The IEBus mainly consists of the following six internal blocks.

- CPU interface block
- Interrupt control block
- Internal registers
- Bit processing block
- Field processing block
- IEBus interface block

<CPU interface block>

This is a control block that interfaces between the CPU (78K/IV) and IEBus.

<Interrupt control block>

This control block transfers interrupt request signals from the IEBus to the CPU.

<Internal registers>

These registers set data to the control registers and fields that control the IEBus (for the internal registers, refer to **20.4 Internal Registers of IEBus Controller**).

<Bit processing block>

This block generates and disassembles bit timing, and mainly consists of a bit sequence ROM, 8-bit preset timer, and comparator.

<Field processing block>

This block generates each field in the communication frame, and mainly consists of a field sequence ROM, 4-bit down counter, and comparator.

<IEBus interface block>

This is the interface block for an external driver/receiver, and mainly consists of a noise filter, shift register, collision detector, parity detector, parity generation circuit, and $\overline{\text{ACK}}/\text{NACK}$ generation circuit.

20.4 Internal Registers of IEBus Controller

The IEBus controller consists of the following registers:

20.4.1 Internal register list

Table 20-8 lists the internal registers of the IEBus controller.

Table 20-8. Internal Registers of IEBus Controller

Address	IEBus Register Name	Symbol	R/W	Bit Units for Manipulation			Initial Value
				1 bit	8 bits	16 bits	
0FFB0H	Bus control register	BCR	R/W	√	√	—	00H
0FFB2H	Unit address register	UAR		—	—	√	0000H
0FFB4H	Slave address register	SAR		—	—	√	
0FFB6H	Partner address register	PAR	R	—	—	√	
0FFB8H	Control data register	CDR	R/W	—	√	—	01H
0FFB9H	Telegraph length register	DLR		—	√	—	
0FFBAH	Data register	DR		—	√	—	00H
0FFBBH	Unit status register	USR	R	√	√	—	
0FFBCH	Interrupt status register	ISR	R/W	√	√	—	
0FFBDH	Slave status register	SSR	R	√	√	—	41H
0FFBEH	Communication success counter	SCR		—	√	—	01H
0FFBFH	Transmit counter	CCR		—	√	—	20H

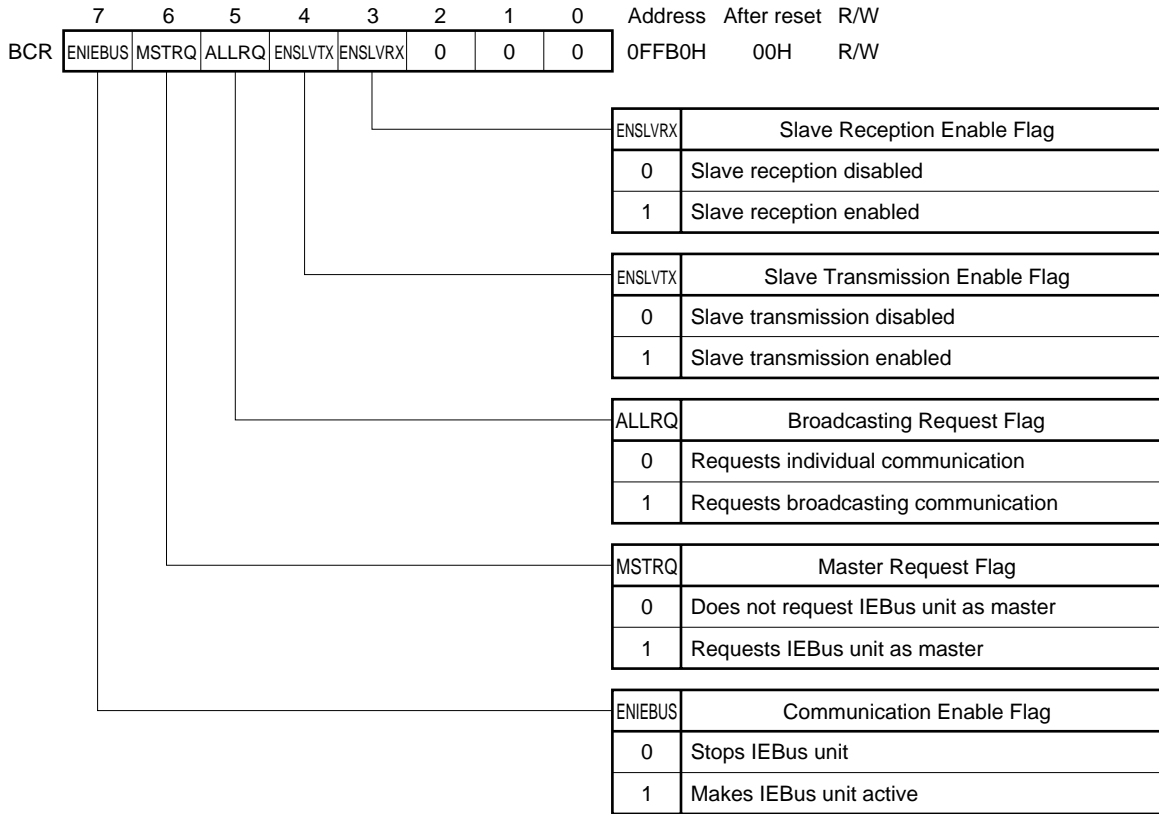
- Cautions**
1. The above registers are mapped to the SFR space.
 2. Registers UAR, SAR, and PAR must be manipulated in word units.
 3. Instructions in Read Modify Write mode (such as XCH and ROL4) cannot be used for DR, CDR, DLR, and ISR.

20.4.2 Description of internal registers

Each internal register of the IEBus controller is explained below.

(1) Bus control register (BCR)

Figure 20-11. Bus Control Register (BCR) Format



- **Communication enable flag (ENIEBUS) ... Bit 7**

[Set/reset condition]

Set: Through software manipulation
 Reset: Through software manipulation

Caution Before setting this flag, the following registers for communication must be set.

During master transmission	UAR
During master reception	
During slave transmission	
During slave reception	

- **Master request flag (MSTRQ) ... Bit 6**

[Set/reset condition]

Set: Through software manipulation
 Reset: Through hardware at the end of the arbitration period

Caution Make a remaster request through software processing in case the unit loses in contention.

- **Broadcasting request flag (ALLRQ) ... Bit 5**

[Set/reset condition]

Set: Through software manipulation
 Reset: Through software manipulation

Caution Be sure to set this flag to request broadcasting communication, and set bit 6.

- **Slave transmission enable flag (ENSLVTX) ... Bit 4**

[Set/reset condition]

Set: Through software manipulation
 Reset: Through software manipulation

- Cautions**
1. Clear this flag before setting the master request flag during master request. If a slave transmission request is made by the master with this flag not set during slave, or if the disabled status is to be returned to the enabled status, the next new frame and those that follow become valid.
 2. When ENSLVTX is not set, upon reception of data/command write control data “3H, 7H”, the acknowledge bit of the control field returns NACK.
 3. Even if ENSLVTX has been reset, when slave status request control data is returned, a status interrupt (INTIE2) is generated and communication is continued.

- **Slave reception enable flag (ENSLVRX) ... Bit 3**

[Set/reset condition]

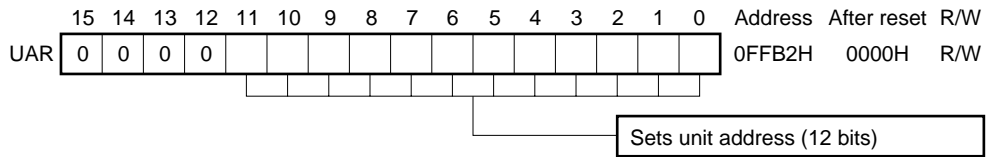
Set: Through software manipulation
 Reset: Through software manipulation

Caution When the CPU is busy with other processing, slave reception can be disabled by resetting this flag and returning NACK with the acknowledge bit of the control field. Therefore, when this flag is reset, individual communication can be disabled, but broadcasting communication cannot. Furthermore, during individual communication, start interrupt (INTIE2) is generated. When CPU processing is prioritized (in case neither reception nor transmission are to be performed), reset ENIEBUS (communication enable flag) and stop the IEBus unit. Also, when returning to the enabled status from the disabled status, the operation becomes effective from the next new frame.

(2) Unit address register (UAR)

This register sets the unit address of an IEBus unit. This register must be always set before starting communication.

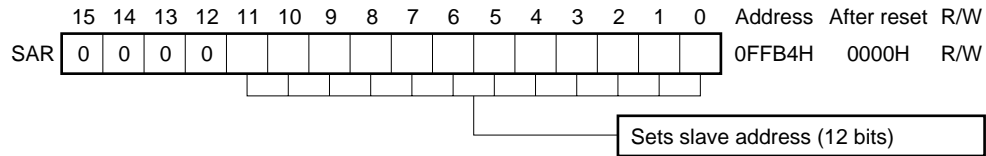
Figure 20-12. Unit Address Register (UAR) Format



(3) Slave address register (SAR)

During master request, the value of this register is reflected on the value of the transmit data in the slave address field. This register must be always set before starting communication.

Figure 20-13. Slave Address Register (SAR) Format

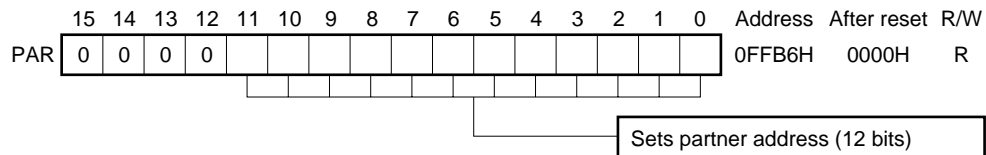


(4) Partner address register (PAR)

[During slave unit]

The value of the receive data in the master address field (address of the master unit) is written to this register. If a request "4H" to read the lock address (low-order 8 bits) is received from the master, the CPU must read the value of this register, and write the data of the low-order 8 bits to the data register (DR). If a request "5H" to read the lock address (high-order 4 bits) is received from the master, the CPU must read the value of this register and write the data of the high-order 4 bits to DR.

Figure 20-14. Partner Address Register (PAR) Format



(5) Control data register (CDR)

[During master unit]

The data of the low-order 4 bits is reflected on the data transmitted in the control field. During master request, this register must be set in advance before starting communication.

[During slave unit]

The data received in the control field is written to the low-order 4 bits.

When the status transmission flag (STATUS) is set, an interrupt (INTIE2) is issued, and each processing should be performed by software, according to the value of the low-order 4 bits of this register.

Figure 20-15. Control Data Register (CDR) Format

	7	6	5	4	3	2	1	0	Address	After reset	R/W
CDR	0	0	0	0	MOD	SELCL2	SELCL1	SELCL0	0FFB8H	01H	R/W

MOD	SELCL2	SELCL1	SELCL0	Function
0	0	0	0	Reads slave status
0	0	0	1	Undefined
0	0	1	0	Undefined
0	0	1	1	Reads data and locks
0	1	0	0	Reads lock address (low-order 8 bits)
0	1	0	1	Reads lock address (low-order 4 bits)
0	1	1	0	Reads slave status and unlocks
0	1	1	1	Reads data
1	0	0	0	Undefined
1	0	0	1	Undefined
1	0	1	0	Writes command and locks
1	0	1	1	Writes data and locks
1	1	0	0	Undefined
1	1	0	1	Undefined
1	1	1	0	Writes command
1	1	1	1	Writes data

- Cautions**
1. Because the slave unit must judge whether the received data is a “command” or “data”, it must read the value of this register after completing communication.
 2. The Read Modify Write instruction (such as XCH and ROL4) cannot be used for CDR.
 3. If the master unit sets an undefined value, NACK is returned from the slave unit, and communication is aborted. During broadcasting communication, however, the master unit continues communication without recognizing $\overline{\text{ACK/NACK}}$; therefore, make sure not to set an undefined value to this register during broadcasting communication.
 4. In the case of defeat in a bus conflict and a slave status request is received from the unit that won, telegraph length register (DLR) is fixed to “01H”. Therefore, in a re-request of the master follows, the appointed telegraph length must be set to DLR.

[Slave status response operation]

The ACK response operation of the control field differs depending on the status of slave side when a slave status request (control data: "0H, 6H") and a lock address request "4H, 5H" are received.

- <1> In unlocked status, when "0H, 6H" control data is received → Return ACK
- <2> In unlocked status, when "4H, 5H" control data is received → Don't return ACK
- <3> In locked status, when "0H, 4H, 5H, 6H" control data is received from the request unit → Return ACK
- <4> In locked status, when "0H, 4H, 5H" control data is received from an address other than the request unit → Return ACK
- <5> In locked status, when "6H" control data is received from an address other than the request unit → Return ACK

In all cases from <1> to <5>, the status transmission flag (bit 4 of the interrupt status register (ISR)) is set upon reception of the slave status and lock address request, and the status interrupt request (INTIE2) is generated. The generation timing is the end of the control field parity bit (start of the ACK bit).

However, if ACK communication is not performed, a NACK error occurs at the end of the ACK bit and communication is stopped.

Figure 20-16. Interrupt Generation Timing (in case of <1>, <3>, <4>)

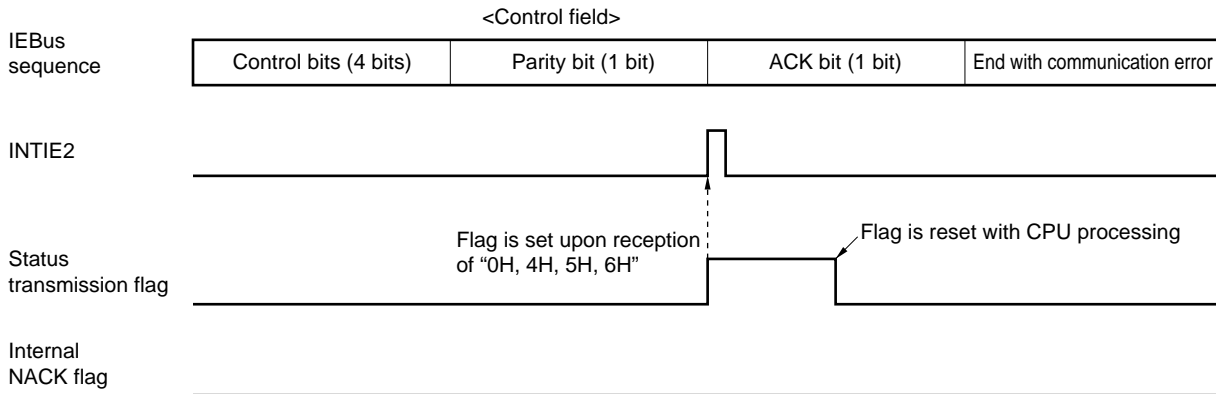
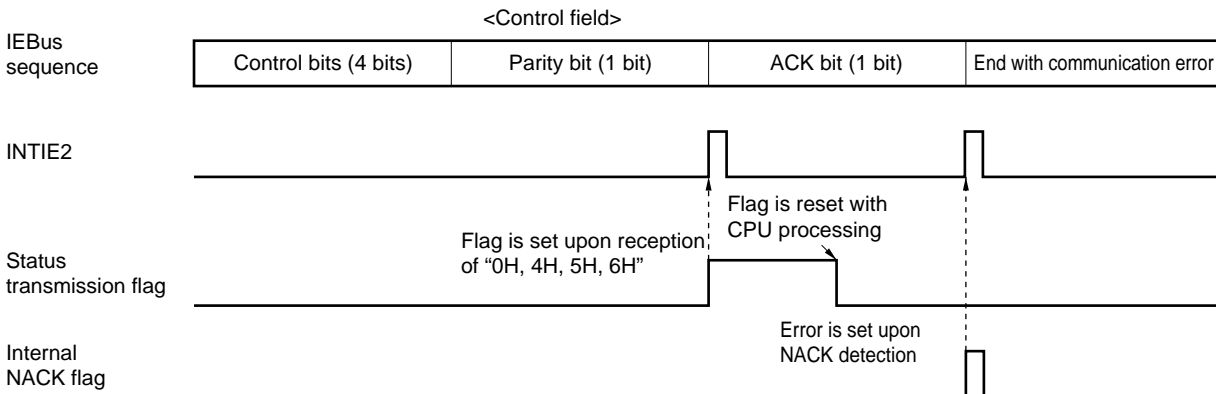


Figure 20-17. Interrupt Generation Timing (in case of <2>, <5>)



In the case of <4> and <5>, communication is performed from other than lock request in the locked status, so that even if the unit address is the target of the communication, no start interrupt or communication end interrupt (INTIE2) is generated. However, if a slave status, lock address request is received, the status transmission flag (bit 4 of interrupt status register (ISR)) is set, and a status interrupt request (INTIE2) is generated. In this way, even if the same control data is received in the locked status, the INTIE2 generation timing differs depending on whether the master side is the lock request address (<3>) or it is a different address.

Figure 20-18. INTIE2 Interrupt Generation Timing in Locked Status (in case of <4>, <5>)

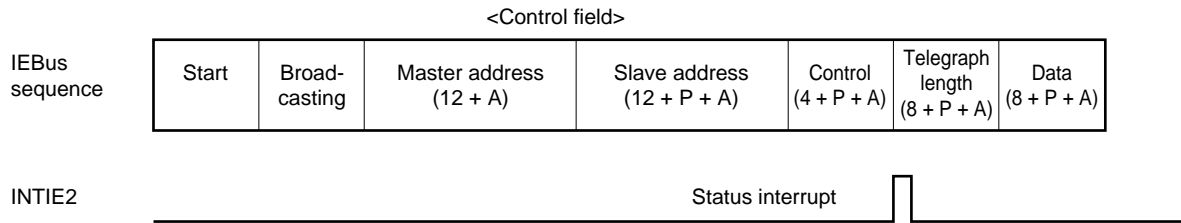
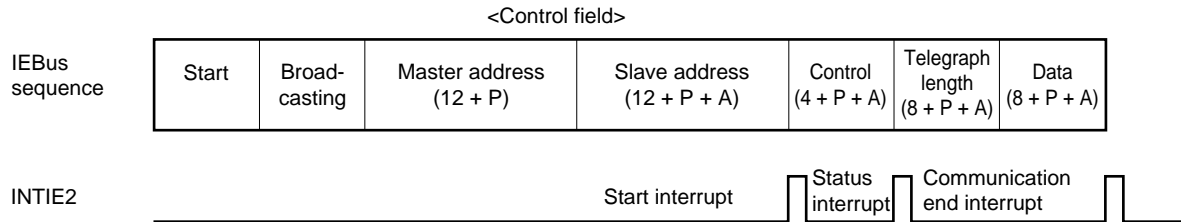


Figure 20-19. INTIE2 Interrupt Generation Timing in Locked Status (in case of <3>)



(6) Telegraph length register (DLR)

[During transmission unit] ... Master transmission, slave transmission

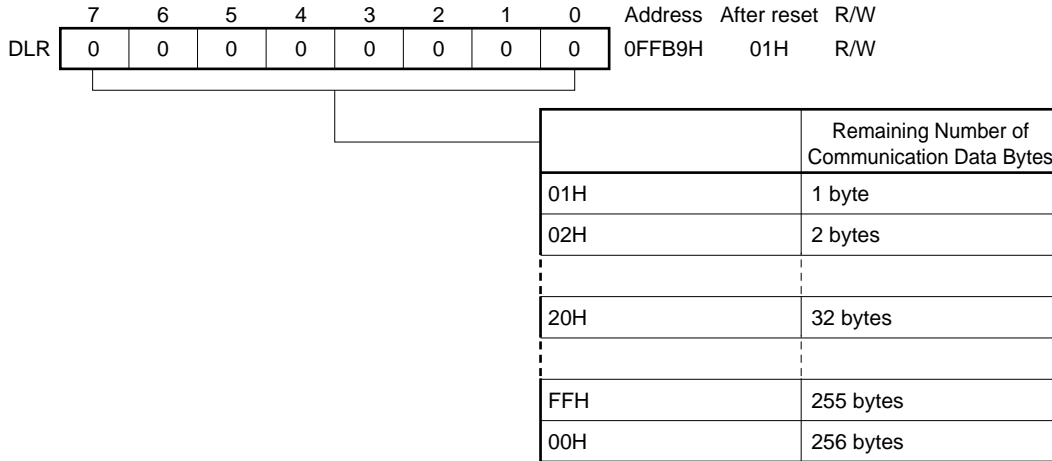
The data of this register is reflected on the data transmitted in the telegraph length field and indicates the number of bytes of the transmit data.

This register must be set in advance before transmission.

[During reception unit] ... Master reception, slave reception

The receive data in the telegraph length field transmitted from the transmission unit is written to this register.

Figure 20-20. Telegraph Length Register (DLR) Format



- Cautions**
1. If the master issues a request “0H, 4H, 5H, or 6H” to transmit a slave status and lock address (high-order 4 bits, low-order 8 bits), the contents of this register are set to “01H” by hardware; therefore, the CPU does not have to set this register.
An instruction of Read Modify Write mode (such as XCH and ROL4) cannot be used for DLR.
 2. In the case of defeat in a bus conflict and a slave status request is received from the unit that won, DLR is fixed to “01H”. Therefore, if a re-request of the master follows, the appointed telegraph length must be set to DLR.

(7) Data register (DR)

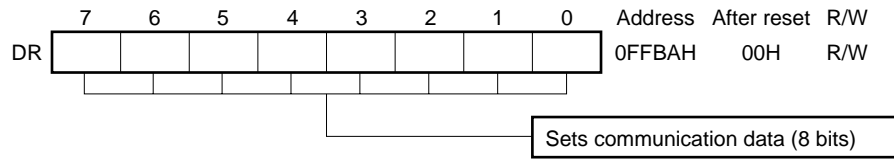
[During transmission unit]

The data (1 byte) written to the data register (DR) is stored to the internal shift register of the IEBus. It is then output from the most significant bit, and an interrupt (INTIE1) is issued to the CPU each time 1 byte has been transmitted. INTIE is generated at the timing of the data register (DR) value stored in the internal shift register of the IEBus. However, INTIE1 is not generated when the last byte and the 32nd byte (last byte of one communication frame) is delivered to the internal register.

[During reception unit]

One byte of the data received by the internal shift register of the IEBus is stored to this register. Each time 1 byte has been correctly received, an interrupt (INTIE1) is issued.

Figure 20-21. Data Register (DR) Format

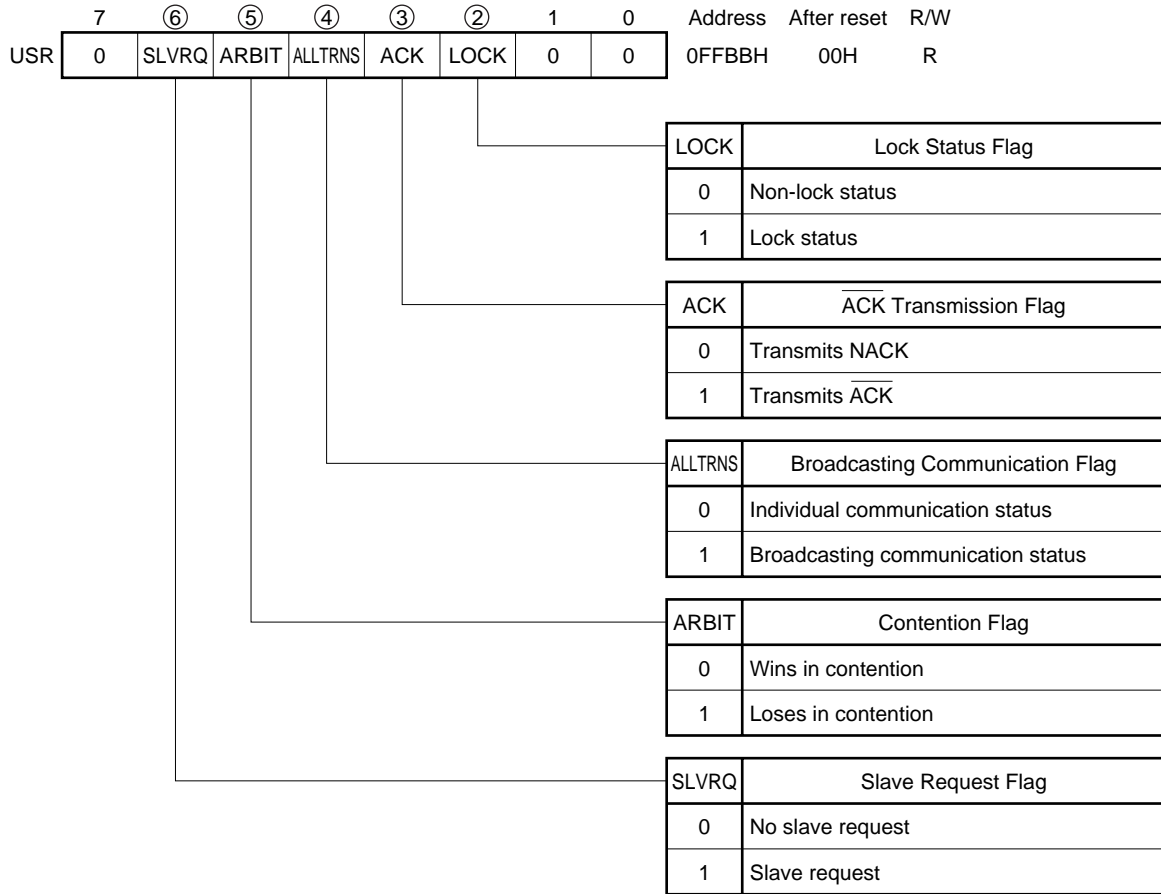


Caution If the next data is not in time while the transmission unit is set, an underrun occurs, and a communication error interrupt (INTIE2) occurs.

An instruction of Read Modify Write mode (such as XCH and ROL4) cannot be used for DR.

(8) Unit status register (USR)

Figure 20-22. Unit Status Register (USR) Format



- **Slave request flag (SLVRQ) ... Bit 6**

This flag indicates whether the master has issued a slave request.

- **Contention flag (ARBIT) ... Bit 5**

This flag indicates the result of contention.

[Set/reset condition]

Set: Set if the data output by a unit does not coincide with the data on the bus line during the arbitration period after the master request has been made.

Reset: Cleared at start bit timing

- **Broadcasting communication flag (ALLTRANS)... Bit 4**

This flag indicates if the unit is performing broadcasting communication. The contents of the flag are initialized upon detection of the start bit of each frame, and updated to the broadcasting field.

The set/bit conditions change depending on the broadcasting field bit reception data at all times except initialization (reset) through system reset.

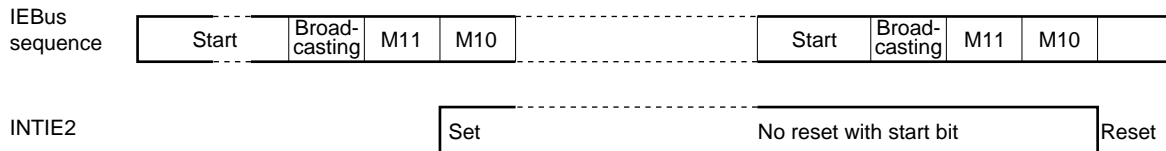
[Set/reset condition]

Set: Upon reception of "broadcasting" in broadcasting field

Reset: Upon reception of "individual" in broadcasting field, or upon input of system reset.

Caution Update of the broadcasting communication flag is performed regardless of whether or not the communication target is the unit address.

Figure 20-23. Broadcasting Communication Flag Operation Example



- **ACK transmission flag (ACK) ... Bit 3**

This flag indicates whether \overline{ACK} is transmitted during the \overline{ACK} period of each field while the unit serves as a reception unit. The content of the flag is updated during the \overline{ACK} period of each frame.

If the internal circuit is initialized due to the occurrence of a parity error, the content of the flag cannot be updated during the \overline{ACK} period of the field.

- **Lock status flag (LOCK) ... Bit 2**

This flag indicates whether the unit is locked.

[Set/reset condition]

Set: Set if lock specifications "3H, 6H, AH, and BH" are received in the control field, and if the communication end flag is "L" and frame end flag is "H".

Reset: If the communication enable flag is cleared.

If unlocking commands "3H, 6H, AH, and BH" are received by the control field and the communication end flag is set.

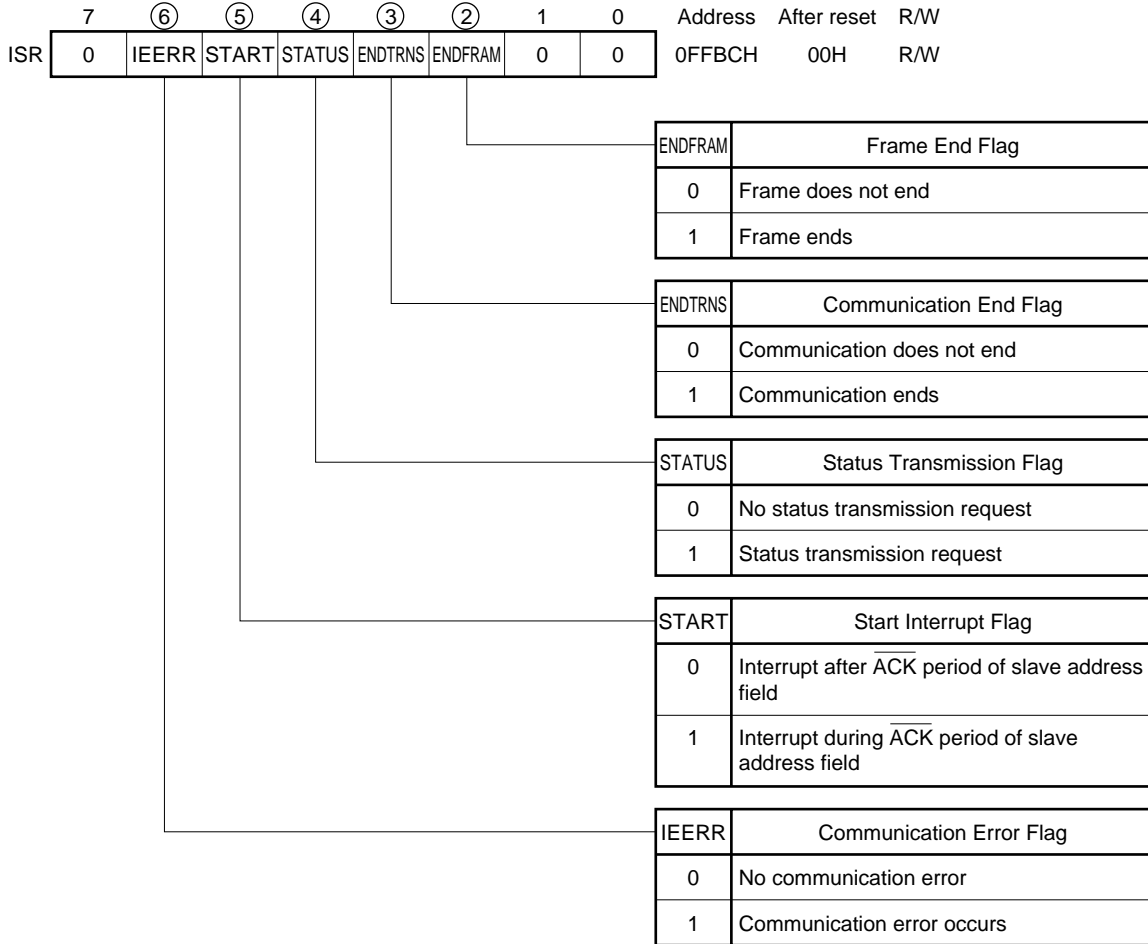
Caution Locking or unlocking is not performed during broadcasting communication.

(9) Interrupt status register (ISR)

This status register indicates the status when an interrupt of the IEBus is issued. User must read this register and perform the subsequent processing each time an interrupt has been generated.

Clear the contents of the following communication error flag (IEERR), start interrupt flag (START), and status transmission flag (STATUS) through software manipulation in vector interrupt processing. Also be sure to check and clear the contents of the communication end flag (ENDTRNS) and frame end flag (ENDFRAM) through software manipulation.

Figure 20-24. Interrupt Status Register (ISR) Format



Remark Reset of IEERR, STARTF, and STATUSF flags is performed by writing a byte in to the interrupt status register (ISR).

- **Communication error flag (IEERR) ... Bit 6**

This flag detects an error during communication.

[Set/reset condition]

Set: Set if a timing error, parity error (except the data field), NACK reception (except the data field), or underrun occurs

Reset: Through software manipulation

- **Start interrupt flag (START) ... Bit 5**

This flag indicates the interrupt during the $\overline{\text{ACK}}$ period of the slave address field.

[Set/reset condition]

Set: Set in the slave address field during the master request.

Set if there was a slave request from the master. (In the case of lock status, only if there was a slave request from the lock request unit.)

Reset: Through software manipulation

- **Status transmission flag (STATUS) ... Bit 4**

This flag indicates that the master transmits a slave status or lock address (high-order 4 bits, low-order 8 bits) while the unit serves as a slave.

[Set/reset condition]

Set: Set when "0H, 4H, 5H, or 6H" is received from the master in the control field while the unit serves as a slave.

Reset: Through software manipulation

- **Communication end flag (ENDTRNS) ... Bit 3**

This flag indicates whether communication has been completed by the number of transmit bytes set by the telegraph length field.

[Set/reset condition]

Set: When the count value of the SCR counter has reached 0.

Reset: When any of the master request flag, slave transmission enable flag, or slave reception enable flag is set.

- **Frame end flag (ENDFRAM) ... Bit 2**

This flag indicates whether communication of the maximum number of transmit bytes (32 bytes) specified by each communication mode is completed.

[Set/reset condition]

Set: When the count value of the CCR has reached 0.

Reset: When any of the master request flag, slave transmission enable flag, or slave reception enable flag is set

[Description of communication error source]**<Timing error>**

Condition of occurrence: If the high-/low-level width of the communication bit exceeds or falls below a rated value.

Remark: Each rated value is set by the bit processing block and is monitored by the internal 8-bit timer. If a timing error occurs, an interrupt is issued.

<Parity error>

Condition of occurrence: If the generated parity and received parity do not coincide in each field while the unit serves as a receive unit.

Remark: During individual communication, if a parity error occurs in other than the data field, an interrupt is issued.

During broadcasting communication, even if a parity error occurs in the data field, an interrupt is issued.

Limitations: **If a broadcasting communication request is performed and a slave request defeated in contention occurs, no interrupt is generated even if a parity error occurs in the data field.**

<NACK reception>

Condition of occurrence: If NACK is received during the $\overline{\text{ACK}}$ period in the slave address, control, or telegraph length field while the unit serves as a receive transmit unit.

Remark: If NACK is received (transmitted) in other than the data field, an interrupt is issued.

<Underrun>

Condition of occurrence: If the data that is to be transmitted next to the data register (DR) until $\overline{\text{ACK}}$ is received is not written in time during data transmission.

Remark: If underrun occurs, an interrupt is issued.

<Overrun>

Condition of occurrence: When the unit is used as a receive unit, a data interrupt request (INTIE1), which stores data one byte at a time in the data register (DR), is generated, and the CPU performs DR read processing. If this read processing is late and the next data receive timing starts, an overrun error occurs.

Remark: When the unit is used for individual communication reception, no acknowledge is returned during the ACK period of the next data. Through this, the transmission unit performs retransmission of the data. Therefore, the communication count register (CCR) is decremented, but the success count register (SCR) is not decremented. When the unit is used for broadcast communication reception, a communication error interrupt request (INTIE2) occurs, and reception is stopped. At this time, DR is not updated. Moreover, no INTIE1 is generated, and the DR reception status flag (bit 1 of the timer mode control register (SSR)) is set (to 1) and maintained. The overrun status is canceled using the data reception timing following DR read.

[Supplementary explanation of overrun error]**(1) If overrun occurs during individual communication reception, resulting in frame end**

If DR read is not performed following the overrun status and data retransmission reaches the maximum number of data transfer bytes (32 bytes), a frame end interrupt (INTIE2) occurs. The overrun status is maintained until DR read is performed even after frame end.

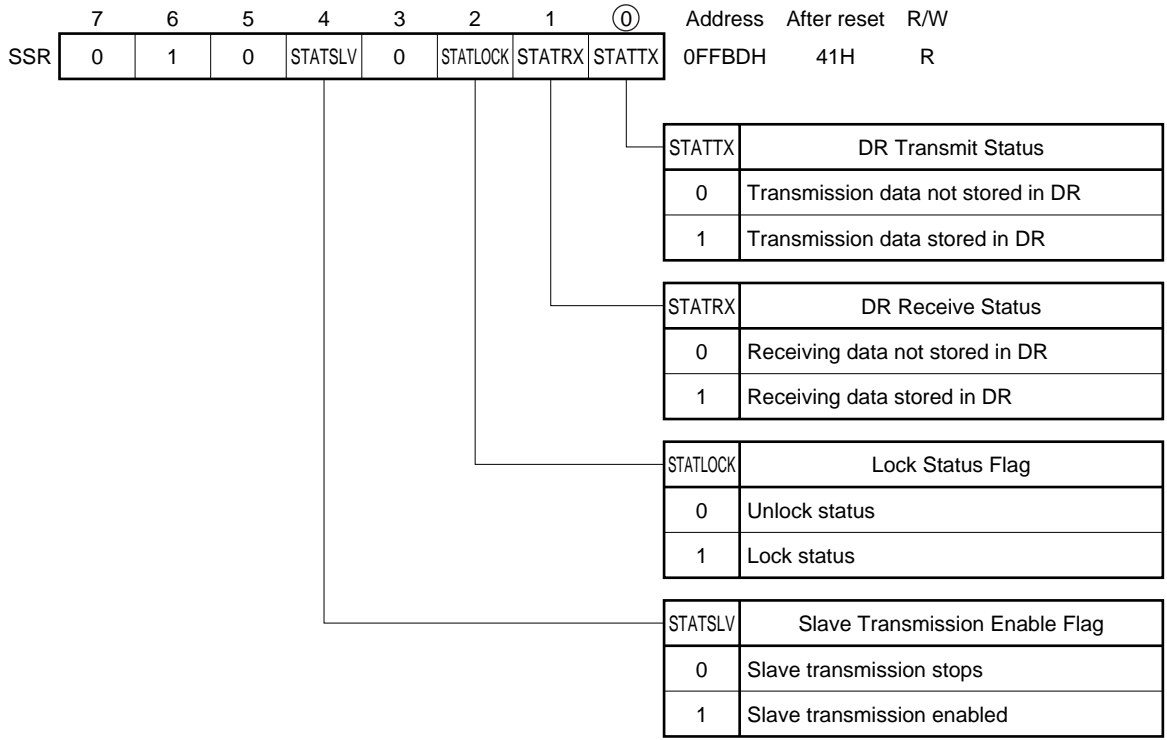
(2) If the next reception starts in the case of (1) above, or if the next transmission starts without DR read being performed, following reception of the last data, regardless of whether it is broadcasting or individual communication

Even if communication is started to one's own address in the overrun status, an overrun caused NACK return does not occur during the ACK period in each of the slave address, control, and telegraph length fields. However, when DR read is not performed until data reception completion in the data field, no acknowledge is returned and reception is not performed (DR update is not performed). If the next communication is not directed to one's own address, DR is not updated until DR read is performed. Since the communication is not directed at one's own address, data interrupt (INTIE1) or communication error interrupt (INTIE2) is not generated.

(10) Slave status register (SSR)

This register indicates the communication status of the slave unit. After receiving a slave status transmission request from the master, the CPU reads this register, and writes a slave status to the data register (DR) to transmit the slave status. At this time, the telegraph length is automatically set to “01H” that setting of telegraph length register (DLR) is not required (because it is preset by hardware).

Figure 20-25. Slave Status Register (SSR) Format



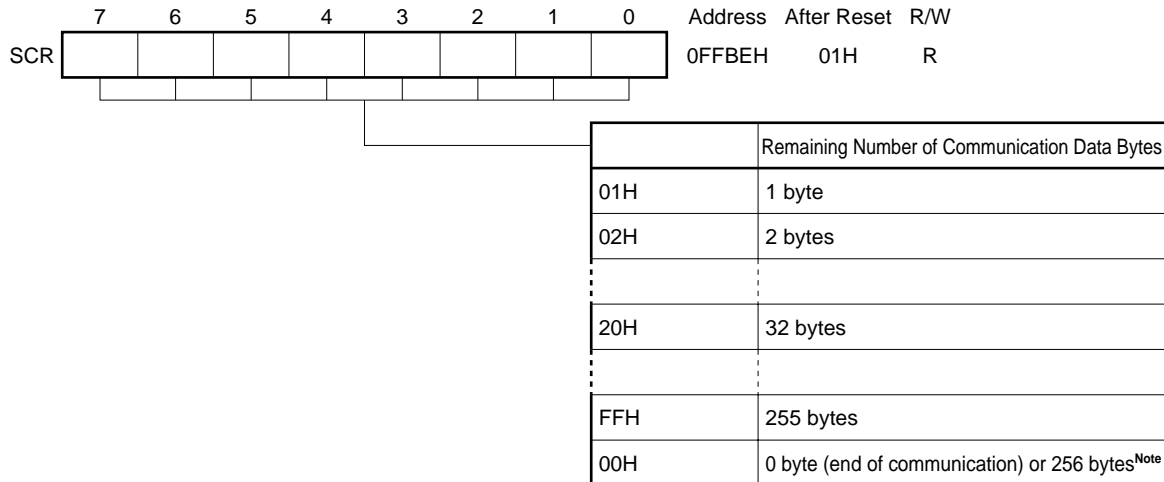
- **Slave transmission status flag (STATSLV) ... Bit 4**
Reflects the content of the slave transmission enable flag.
- **Lock status flag (STATLOCK) ... Bit 2**
Reflects the content of the lock status flag.
- **DR receive status (STATRX) ... Bit 1**
The flag that indicates the receive status of the DR.
- **DR transmit status (STATTX) ... Bit 0**
The flag that indicates the transmit status of the DR.

Bits 6 and 7 indicate the highest mode supported by the unit, and are fixed to “01H” (mode 1).

(11) Success count register (SCR)

This register reads the count value of the counter that decrements the value set by the telegraph length register by \overline{ACK} in the data field. When the count value has reached "00H", the communication end flag (ENDTRNS) is set.

Figure 20-26. Success Count Register (SCR) Format

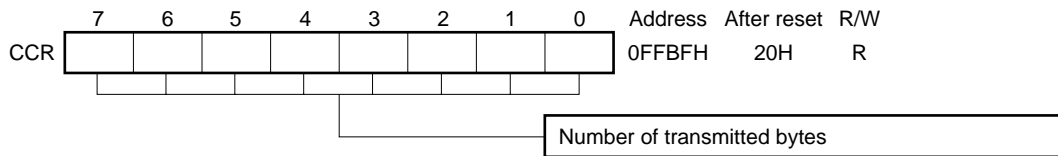


Note The bit length of the actual hard counter consists of 9 bits. When "00H" is read, it cannot be judged whether the remaining number of communication data bytes is 0 (end of communication) or 256. Therefore, either the communication end flag is used, or if "00H" is read when the first interrupt occurs at the beginning of communication, the remaining number of communication data bytes is judged to be 256.

(12) Communication count register (CCR)

This register reads the count value of the counter that is preset to the maximum number of transmitted bytes (32 bytes) per frame specified in mode 1 and is decremented during the \overline{ACK} period of the data field regardless of $\overline{ACK}/\overline{NACK}$. When the count value has reached "00H", the frame end flag (ENDFRAM) is set.

Figure 20-27. Communication Count Register (CCR) Format



- Preset value in mode 1 and maximum number of transmitted bytes per frame ... 20H (32 bytes)

20.5 Interrupt Operations of IEBus Controller

20.5.1 Interrupt control block

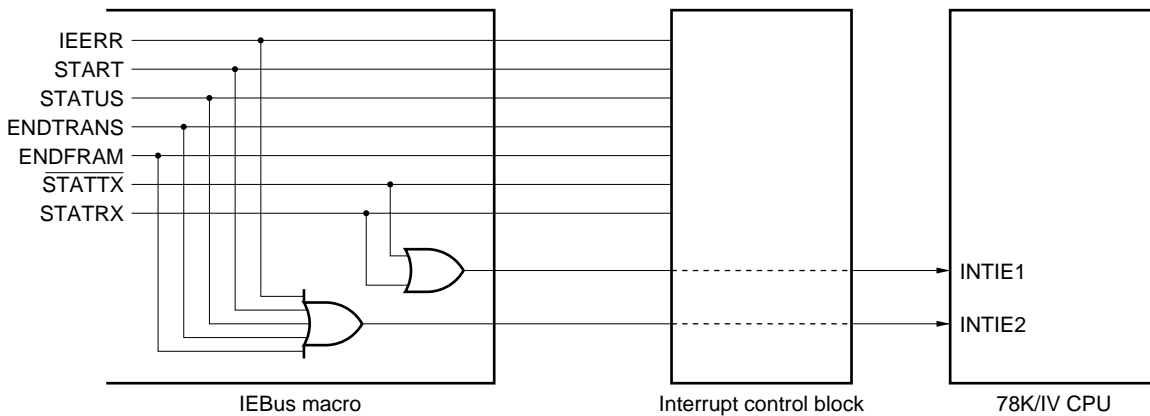
<Interrupt request signal>

- | | |
|--------------------------------|--------------------------------|
| 1. Communication error | (IEERR) |
| 2. Start interrupt | (START) |
| 3. Status communication | (STATUS) |
| 4. End of communication | (ENDTRANS) |
| 5. End of frame | (ENDFRAM) |
| 6. Transmit data write request | ($\overline{\text{STATTX}}$) |
| 7. Receive data read request | ($\overline{\text{STATRX}}$) |

1 through 5 of the above interrupt requests are assigned to the interrupt status register (ISR). For details, refer to Table 20-9 Interrupt Requests.

The configuration of the interrupt control block is illustrated below.

Figure 20-28. Configuration of Interrupt Control Block



- Cautions**
1. With regard to ORed output of $\overline{\text{STATTX}}$, $\overline{\text{STATRX}}$, faster processing is aimed for by using a macro service.
 2. With regard to ORed output of IEERR, START, STATUS, ENDTRANS, ENDFRAM, check the interrupt generation source using vector interrupt processing.

20.5.2 Interrupt source list

The interrupt request signals of the internal IEBus controller in the 78K/IV Series can be classified into vector interrupts and macro service interrupts. These interrupt processing can be specified through software manipulation.

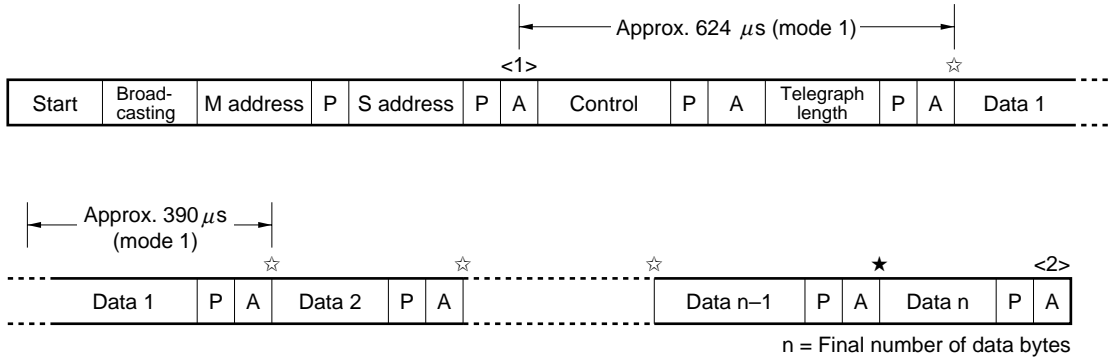
The interrupt sources are listed below.

Table 20-9. Interrupt Source List

Interrupt Source	Condition of Generation		CPU Processing after Generation of Interrupt	Remark
	Unit	Field		
Communication error (Timing error) (Parity error) (NACK reception) (Underrun error) (Overrun error)	Master/slave Reception Transmission Transmission Reception	All fields Other than data (individual) All fields (broadcasting) Other than data (individual) Data Data	Undo communication processing	Communication error is OR output of timing error, parity error, NACK reception, underrun error, and overrun error. (broadcasting)
Start interrupt	Master	Slave/address	Slave request judgment Contention judgment (If loses, remaster processing) Communication preparation processing	Interrupt always occurs if loses in contention during master request.
	Slave	Slave/address	Slave request judgment Communication preparation processing	Generated only during slave request
Status transmission	Slave	Control	Refer to transmission processing example such as slave status.	Generated regardless of the slave transmission enable flag. Invalid if flag is disabled.
End of communication	Transmission	Data	Macro service end processing	Set if SCR is cleared to 0
	Reception	Data	Macro service end processing Receive data processing	Set if CCR is cleared to 0
End of frame	Transmission	Data	Retransmission preparation processing	Set if CCR is cleared to 0
	Reception	Data	Re-reception preparation processing	Set if CCR is cleared to 0
Transmit data write	Transmission	Data	None (processed by macro service)	Set after transferring of transmit data to internal shift register
Receive data read	Reception	Data	None (processed by macro service)	Set after normal data reception

20.6 Interrupt Generation Timing and Main CPU Processing

20.6.1 Master transmission



Caution ★ indicates that an interrupt (INTIE1) does not occur.

Initial preparation processing

Sets a unit address, slave address, control data, telegraph length, and the first byte of the transmit data.

Communication start processing

Sets the bus control register (enables communication, master request, and slave reception).

<1> Interrupt (INTIE2) occurrence

- Judgment of occurrence of error → Error processing
- ↓
- Judgment of slave request → Slave reception processing^{Note 1}
- ↓
- Judgment of contention result → Remaster request processing

☆ Interrupt (INTIE1) occurrence^{Note 2}

The transmit data of the second byte and those that follow are written to the data register (DR) by macro service. At this time, the data transfer direction is RAM (memory) → SFR (peripheral)

<2> Interrupt (INTIE2) occurrence

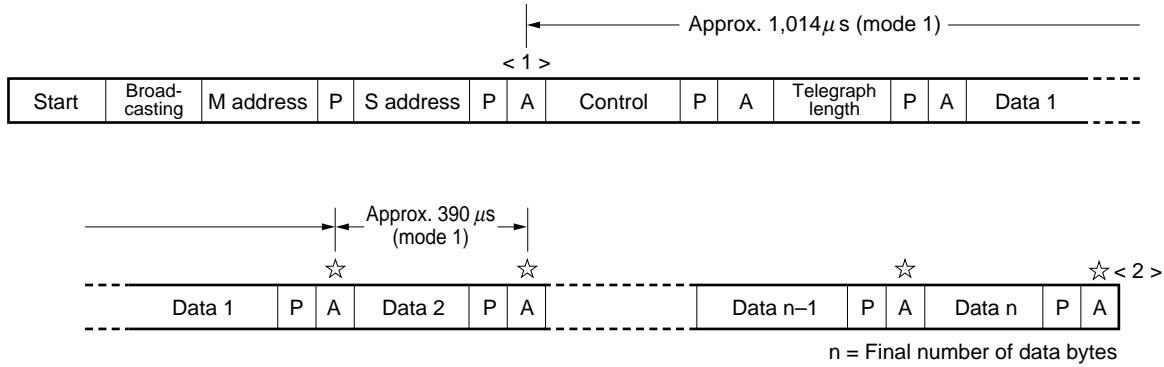
- Judgment of occurrence of error → Error processing
- ↓
- Judgment of end of communication → End of communication processing
- ↓
- Judgment of end of frame → Re-communication processing^{Note 3}

- Notes**
1. If a slave reception request is confirmed during vector interrupt processing, the data transfer direction of macro service must change from RAM (memory) → SFR (peripheral) to SFR (peripheral) → RAM (memory) until the first data is received. The maximum pending period of this data transfer direction changing processing is about 1,040 μ s in communication mode 1.
 2. If NACK is received from the slave in the data field, an interrupt (INTIE1) is not issued to the CPU, but the same data is retransmitted by hardware.
If the transmit data is not written during the period while the next data is being written, a communication error interrupt occurs due to the occurrence of an underrun, and communication is ended midway through.
 3. The vector interrupt processing in <2> judges whether the data has been correctly transmitted within one frame. If the data has not been correctly transmitted (if the number of data to be transmitted in one frame could not be transmitted), the data must be retransmitted in the next frame, or the remainder of the data must be transmitted.

20.6.2 Master reception

If master reception is performed, it is necessary to give prior notice of "Slave transmission" to the unit set as slave. Therefore, master reception requires at least two communication frames.

The slave unit prepares the transmission data, sets ENSLVTX (slave request transmission flag (bit 4 of the bus control register (BCR))), and then waits.



Initial preparation processing

Sets a unit address, slave address, and control data.

Communication start processing

Sets the bus control register (enables communication and master request).

<1> Interrupt (INTIE2) occurrence

- Judgment of occurrence of error → Error processing
- ↓
- Judgment of slave request → Slave processing
- ↓
- Judgment of collision result → Remaster request processing

☆ Interrupt (INTIE1) occurrence^{Note 1}

The receive data stored to the data register (DR) is read by macro service.

At this time, the data transfer direction is SFR (peripheral) → RAM (memory).

<2> Interrupt (INTIE2) occurrence

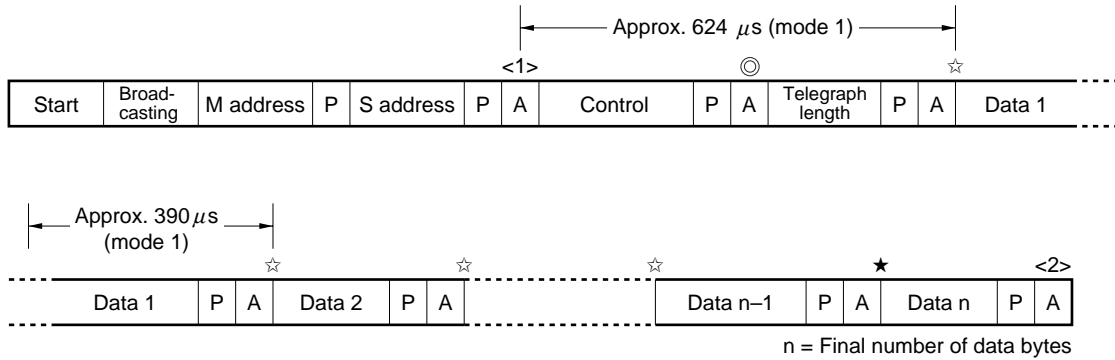
- Judgment of occurrence of error → Error processing
- ↓
- Judgment of end of communication → End of communication processing
- ↓
- Judgment of end of frame → Re-communication processing^{Note 2}

Notes 1. If NACK is transmitted (hardware processing) in the data field, an interrupt (INTIE1) is not issued to the CPU, but the same data is retransmitted from the slave.

If the receive data is not read in time until the next data is received, the hardware automatically transmits NACK.

2. The vector interrupt processing in <2> judges whether the data has been correctly received within one frame. If the data has not been correctly received (if the number of data to be received in one frame could not be received), a request to retransmit the data must be made to the slave in the next communication frame.

20.6.3 Slave transmission



Caution ★ indicates that an interrupt (INTIE1) does not occur.

Initial preparation processing

Sets a unit address, telegraph length, and the first byte of the transmit data.

Communication start processing

Sets the bus control register (enables communication, slave transmission, and slave reception).

<1> Interrupt (INTIE2) occurrence

Judgment of occurrence of error → Error processing

↓

Judgment of slave request

⊙ Interrupt (INTIE2) occurrence

An interrupt occurs only when 0H, 4H, 5H, or 6H is received in the control field in the slave status.

☆ Interrupt (INTIE1) occurrence^{Note 1}

The transmit data of the second byte and those that follow are written to the data register (DR) by macro service. At this time, the data transfer direction is RAM (memory) → SFR (peripheral).

<2> Interrupt (INTIE2) occurrence

Judgment of occurrence of error → Error processing

↓

Judgment of end of communication → End of communication processing

↓

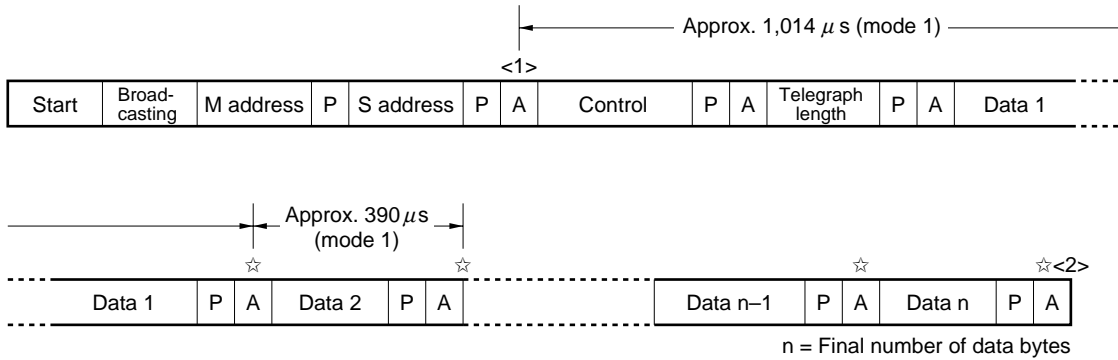
Judgment of end of frame → Re-communication processing^{Note 2}

Notes 1. If NACK is received from the master in the data field, an interrupt (INTIE1) is not issued to the CPU, but the same data is retransmitted by hardware.

If the transmit data is not written in time during the period of writing the next data, a communication error interrupt occurs due to occurrence of underrun, and communication is abnormally ended.

2. The vector interrupt processing in <2> judges whether the data has been correctly transmitted within one frame. If the data has not been correctly transmitted (if the number of data to be transmitted in one frame could not be transmitted), the data must be retransmitted in the next frame, or the continuation of the data must be transmitted.

20.6.4 Slave reception



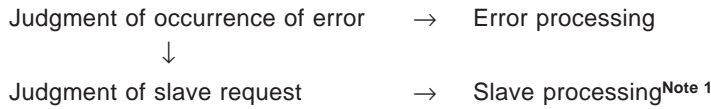
Initial preparation processing

Sets a unit address.

Communication start processing

Sets the bus control register (enables communication, disables slave transmission, and enables slave reception).

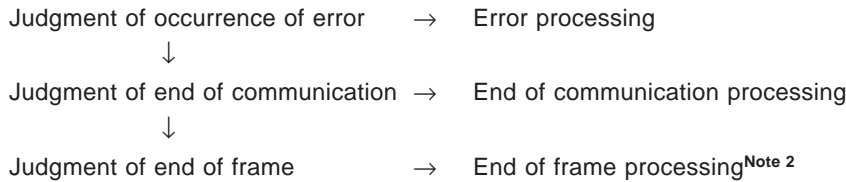
<1> Interrupt (INTIE2) occurrence



☆ Interrupt (INTIE1) occurrence^{Note 1}

The receive data stored to the data register (DR) is read by macro service.
At this time, the data transfer direction is SFR (peripheral) → RAM (memory).

<2> Interrupt (INTIE2) occurrence



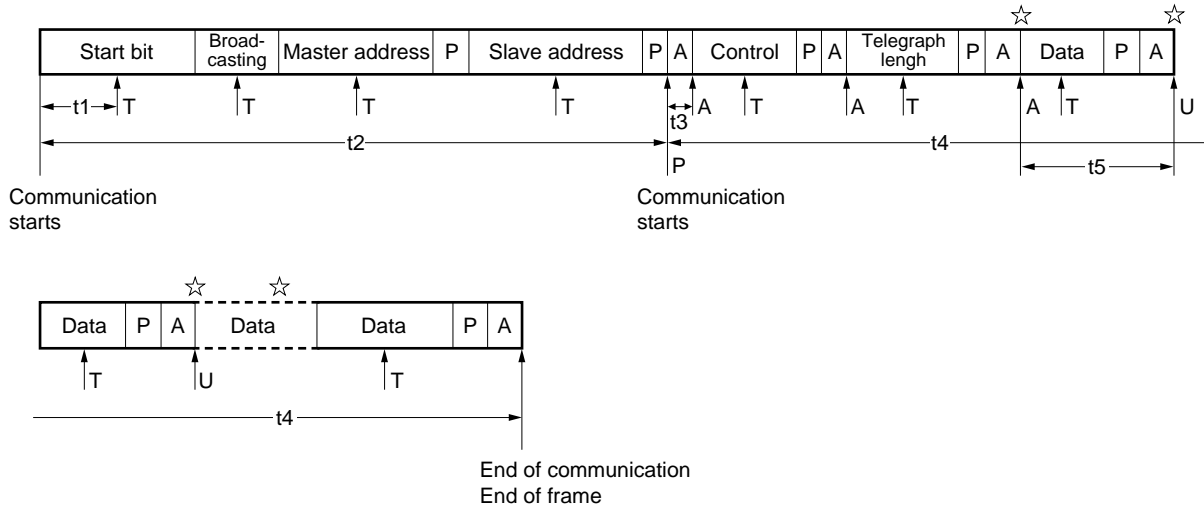
- Notes**
1. If NACK is transmitted in the data field, an interrupt (INTIE1) is not issued to the CPU, but the same data is retransmitted from the master.
If the receive data is not read in time until the next data is received, NACK is automatically transmitted.
 2. The vector interrupt processing in <2> judges whether the data has been correctly received within one frame.

20.6.5 Interval of occurrence of interrupt for IEBus control

Each control interrupt must occur at each point of communication and perform the necessary processing until the next interrupt occurs. Therefore, the CPU must control the IEBus control block, taking the shortest time of this interrupt into consideration.

The locations at which the following interrupts may occur are indicated by \uparrow in the field where it may occur. \uparrow does not mean that the interrupt occurs at each of the points indicated by \uparrow . If an error interrupt (timing error, parity error, or $\overline{\text{ACK}}$ error) occurs, the IEBus internal circuit is initialized. As a result, the following interrupt does not occur in that communication frame.

(1) Master transmission

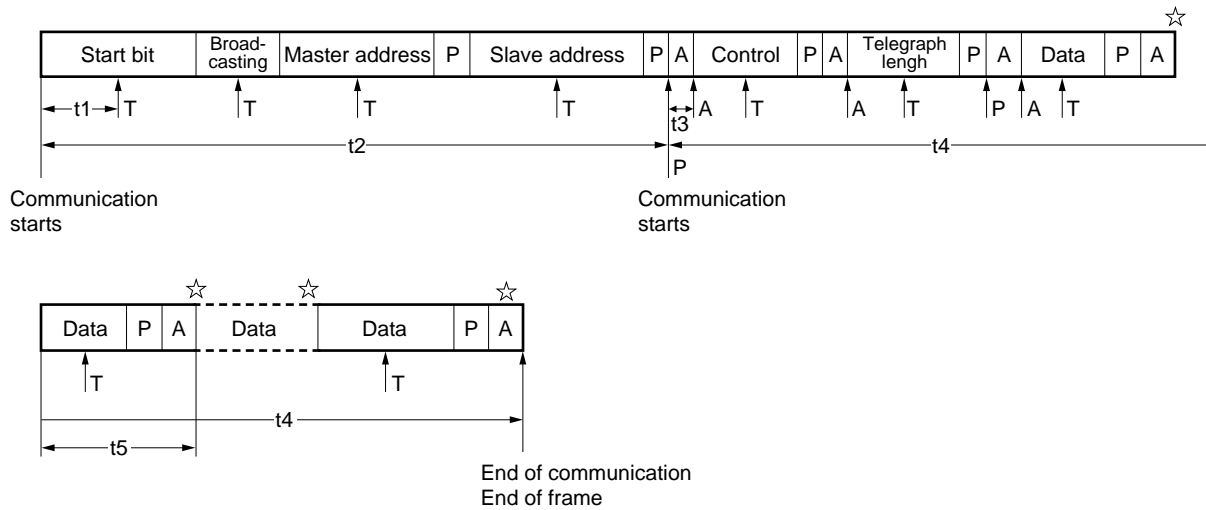


- Remarks**
1. T: timing error, P: parity error, A: $\overline{\text{ACK}}$ error, U: underrun error
 \star : data set interrupt (INTIE1)
 2. End of frame occurs at the end of 32-byte data.

(IEBus: @ 6-MHz operation)

Item	Symbol	MIN.	Unit
Communication starts – timing error	t1	Approx. 97	μs
Communication starts – communication start interrupt	t2	Approx. 1,380	μs
Communication start interrupt – $\overline{\text{ACK}}$ error	t3	Approx. 16	μs
Communication start interrupt – end of communication	t4	Approx. 1,014	μs
Data transmission – underrun error	t5	Approx. 390	μs

(2) Master reception

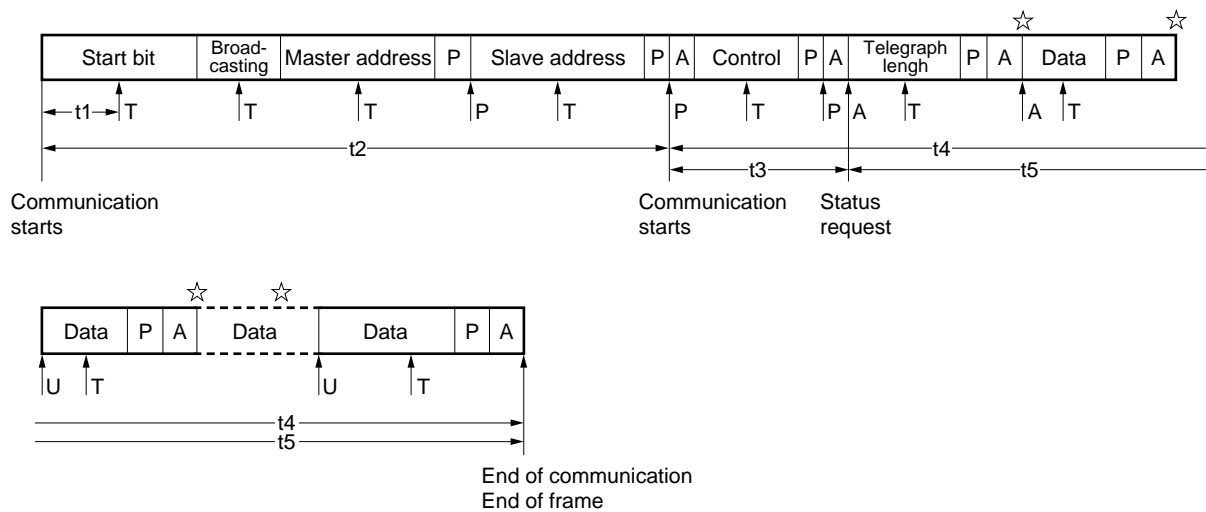


- Remarks**
1. T: timing error, P: parity error, A: $\overline{\text{ACK}}$ error, ☆: data set interrupt (INTIE1)
 2. End of frame occurs at the end of 32-byte data.

(IEBus: @ 6-MHz operation)

Item	Symbol	MIN.	Unit
Communication starts – timing error	t1	Approx. 97	μs
Communication starts – communication start interrupt	t2	Approx. 1,380	μs
Communication start interrupt – $\overline{\text{ACK}}$ error	t3	Approx. 16	μs
Communication start interrupt – end of communication	t4	Approx. 1,014	μs
Receive data read interval	t5	Approx. 390	μs

(3) Slave transmission

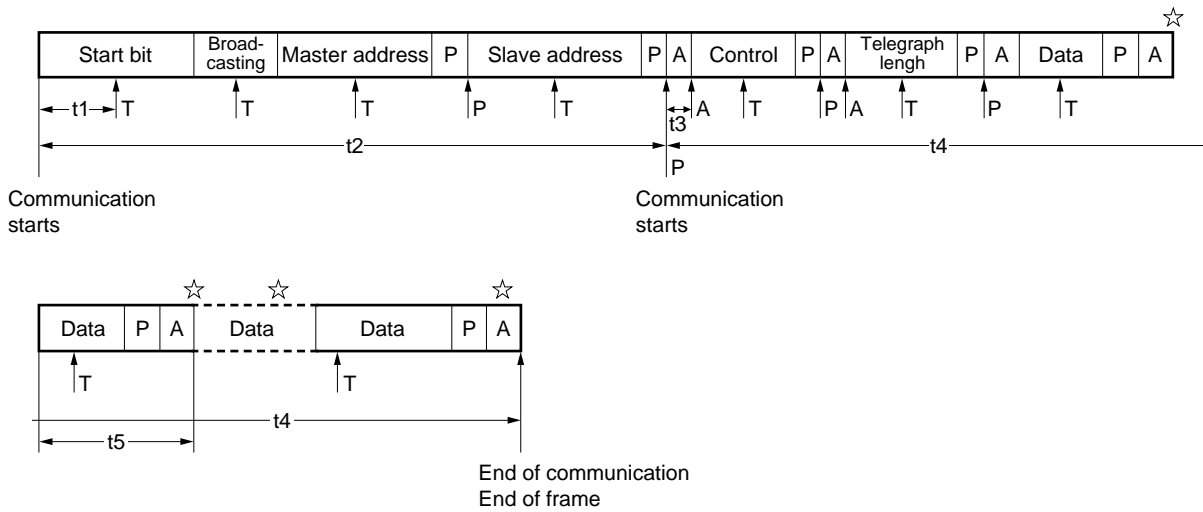


- Remarks** 1. T: timing error, P: parity error, A: $\overline{\text{ACK}}$ error, U: underrun error, ☆: data set interrupt (INTIE1)
 2. End of frame occurs at the end of 32-byte data.

(IEBus: @ 6-MHz operation)

Item	Symbol	MIN.	Unit
Communication starts – timing error	t1	Approx. 97	μs
Communication starts – communication start interrupt	t2	Approx. 1,380	μs
Communication start interrupt – status request	t3	Approx. 234	μs
Communication start interrupt – end of communication	t4	Approx. 1,014	μs
Status request – end of communication	t5	Approx. 780	μs

(4) Slave reception



- Remarks** 1. T: timing error, P: parity error, A: $\overline{\text{ACK}}$ error, ☆: data set interrupt (INTIE1)
 2. End of frame occurs at the end of 32-byte data.

(IEBus: @ 6-MHz operation)

Item	Symbol	MIN.	Unit
Communication starts - timing error	t1	Approx. 97	μs
Communication starts - communication start interrupt	t2	Approx. 1,380	μs
Communication start interrupt - $\overline{\text{ACK}}$ error	t3	Approx. 16	μs
Communication start interrupt - end of communication	t4	Approx. 1,014	μs
Receive data read interval	t5	Approx. 390	μs

20.7 Cautions when Using IEBus Controller

(1) Receiving slave status request

The μ PD784938 Subseries operates differently from the μ PD784908 Subseries when receiving the slave status request. The differences are as follows.

Table 20-10 shows the operation (slave status request) of IEBus controller of the μ PD784938 Subseries.

Table 20-10. IEBus Controller Operation (Slave Status Request) of μ PD784938 Subseries

State of μ PD784938 Subseries	Slave Status	Received Control Request	Operation During Reception Data
Unlocked state	All units	0H, 4H, 5H, 6H	<ul style="list-style-type: none"> • $\overline{\text{ACK}}$ return at $\overline{\text{ACK}}$ period of the control field. • Sets status transmission flag and generates INTIE2.
Locked state	Units that have lock requested		
	Except units that have lock requested		

(2) Data register (DR) read operation

When receiving a unit, after the reception of each byte is completed, a macro-service activated signal (INTIE1) is generated, and the CPU needs to perform data register (DR) read processing. When this DR read processing is delayed and the next data reception is completed, DR will be updated. Therefore, DR read processing should be completed in the period between INTIE1 generation and the next data reception. The maximum holding time from INTIE1 generation to DR read is approximately 390 μ s.

The μ PD784908 Subseries has 40 bytes of reception buffer. When receiving data when there is no space in the reception buffer, NACK is returned and a request for data to be retransmitted to the transmission unit is automatically generated.

Because, in the case of the μ PD784938 Subseries (simple IEBus controller), INTIE1 is generated for every 1 byte reception, that DR needs to be read by interrupt processing (macro service recommendation).

CHAPTER 21 CLOCK OUTPUT FUNCTION

The μ PD784938 has a clock function that outputs a signal scaled from the system clock.

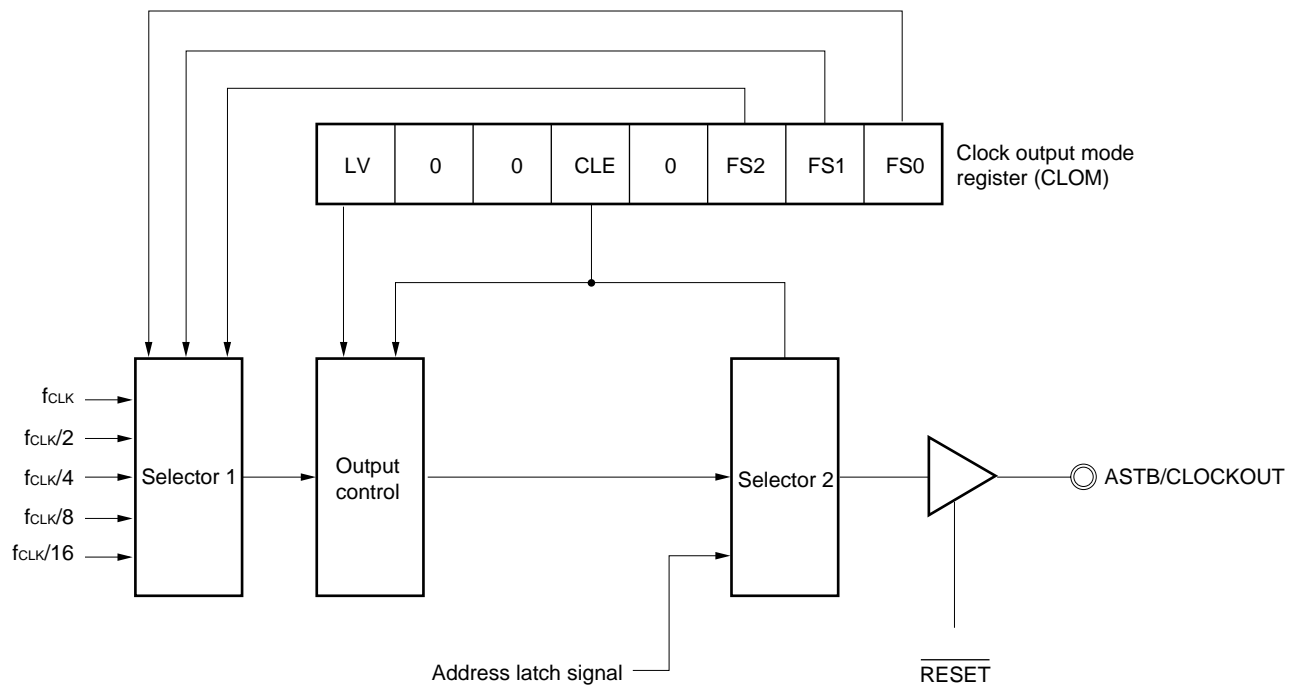
The clock output function can output the system clock directly, or a 1/2, 1/4, 1/8, or 1/16 system clock signal. In addition, it can be used as a 1-bit output port. The output pin has an alternate function as the ASTB pin.

Caution This function cannot be used when the external memory expansion mode is used.

21.1 Configuration

The clock output function configuration is shown in Figure 21-1.

Figure 21-1. Clock Output Function Configuration



(1) Clock output mode register (CLOM)

Register that controls the operation of the clock output function.

(2) Selector 1

Selector that selects the frequency of the clock to be output.

(3) Output control

Controls the output signal in accordance with the contents of the clock output mode register (CLOM).

(4) Selector 2

Selects either the ASTB signal or the CLOCKOUT signal as the signal to be output to the ASTB/CLOCKOUT pin.

(5) ASTB/CLOCKOUT pin

Pin that outputs the signal selected by selector 2. While the $\overline{\text{RESET}}$ input is low, the ASTB/CLOCKOUT pin is in the Hi-Z state, and when the $\overline{\text{RESET}}$ input becomes high, it outputs a low-level signal, and then outputs a signal according to the set function.

21.2 Clock Output Mode Register (CLOM)

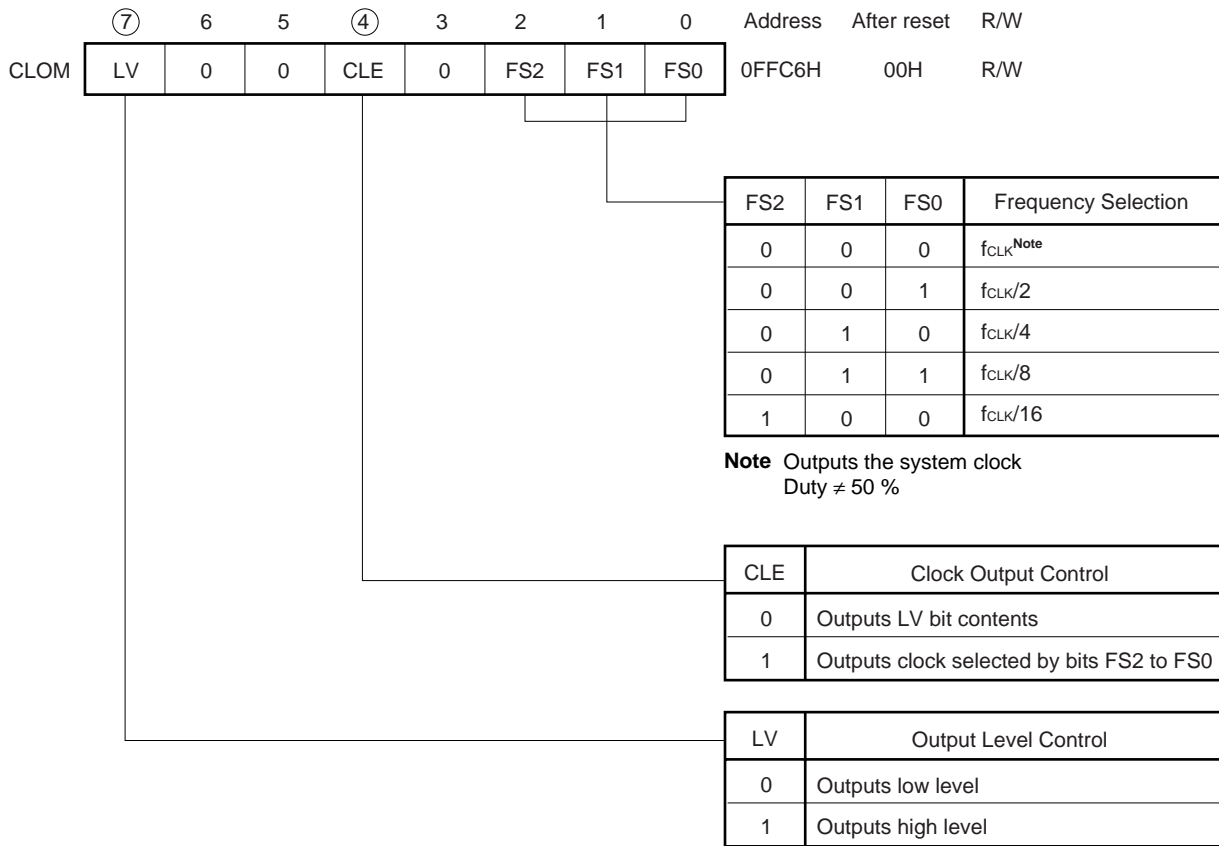
The CLOM controls the clock output function.

CLOM can be read or written to with an 8-bit manipulation instruction or bit manipulation instruction.

The CLOM format is shown in Figure 21-2.

$\overline{\text{RESET}}$ input clears CLOM to 00H.

Figure 21-2. Clock Output Mode Register (CLOM) Format



- Cautions**
1. When the external memory expansion mode is used, the clock output mode register (CLOM) should be set to 00H (value after $\overline{\text{RESET}}$ release).
 2. The other bits (FS0 to FS2 and LV) must not be changed while the CLE bit is set (to 1).
 3. The other bits (FS0 to FS2 and LV) must not be changed at the same time when the CLE bit is changed.

21.3 Operation

21.3.1 Clock output

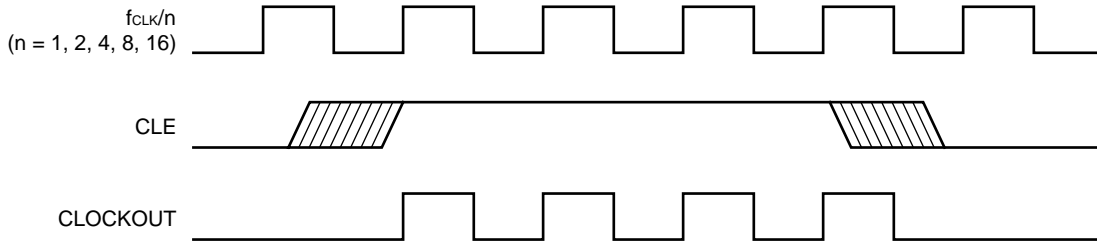
A signal with the clock output frequency selected by bits FS0 to FS2 is selected by selector 1 and output.

The output signal has the same level as the LV bit when the CLE bit is cleared (to 0), and is output from the clock signal immediately after the CLE bit is set (to 1).

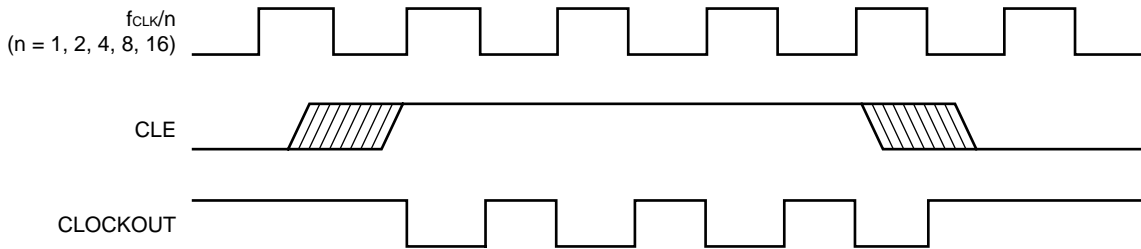
When the CLE bit is cleared (to 0), the contents of the LV bit are output in synchronization with the clock signal, and further output operations are stopped.

Figure 21-3. Clock Output Operation Timing

(a) LV = 0



(b) LV = 1



Setting of bits FS0 to FS2 and the LV bit should only be performed when CLE = 0 (bits FS0 to FS2 and the LV bit should not be changed within the same instruction that changes the CLE bit contents).

<Operation Example>

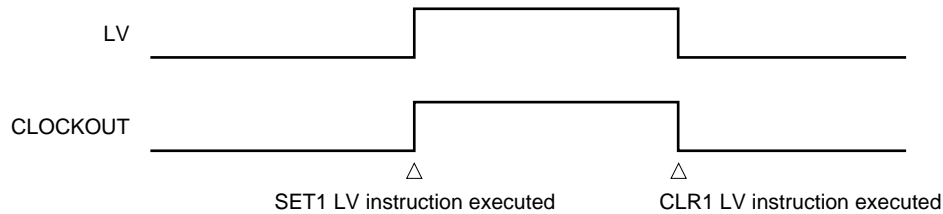
```

MOV  CLOM, #82H;  CLOCKOUT pin: high level, clock output: fCLK/4
SET1 CLE;        Starts clock output
⋮
CLR1 CLE;        Stops clock output, CLOCKOUT pin: high level
    
```

21.3.2 1-bit output port

When the CLE bit is cleared (to 0), the contents of the LV bit are output from the CLOCKOUT pin. The CLOCKOUT pin changes as soon as the contents of the LV bit change.

Figure 21-4. 1-Bit Output Port Operation



21.3.3 Operation in standby mode

(1) HALT mode

The state prior to setting of the HALT mode is maintained. That is, if, during clock output, clock output has been performed continuously, and clock output has been disabled, the LV bit contents set before the HALT mode setting are output unchanged.

(2) STOP mode and IDLE mode

Clock output must be disabled before setting the STOP mode or IDLE mode (this must be done by software). The CLOCKOUT pin level output is the level before the STOP mode or IDLE mode was set (the contents of the LV bit).

21.4 Cautions

- (1) This function cannot be used when the external memory expansion mode is used.
- (2) When the external memory expansion mode is used, the clock output mode register (CLOM) should be set to 00H (value after $\overline{\text{RESET}}$ release).
- (3) The other bits (FS0 to FS2 and LV) must not be changed while the CLE bit is set (to 1).
- (4) The other bits (FS0 to FS2 and LV) must not be changed at the same time when the CLE bit is changed.

[MEMO]

CHAPTER 22 EDGE DETECTION FUNCTION

P20 to P26 have an edge detection function that allows a rising edge/falling edge to be set programmable, and the detected edge is sent to internal hardware. The relation between pins P20 to P26 and the use of the detected edge is shown in Table 22-1.

Table 22-1. Pins P20 to P26 and Use of Detected Edge

Pin	Use	Detected Edge Specification Register
P20	NMI, standby circuit control	INTM0
P21	INTP0, timer/event counter 1 capture signal timer/event counter 1 count clock signal Real-time output port trigger signal	
P22	INTP1, timer/event counter 2 CR22 capture signal	
P23	INTP2, CI (timer/event counter 2 count clock signal), timer/event counter 2 CR21 capture signal	
P24	INTP3, timer/event counter 0 capture signal timer/event counter 0 count clock signal	INTM1
P25	INTP4, standby circuit control	
P26	INTP5, A/D converter conversion start signal, standby circuit control	

The edge detection function operates at all times except in STOP mode and IDLE mode (although the edge detection function for pins P20, P25, and P26 also operates in STOP mode and IDLE mode).

For the P21/INTP0 pin, the noise elimination time when edge detection is performed can be selected by software.

22.1 Edge Detection Function Control Registers

22.1.1 External interrupt mode registers (INTM0, INTM1)

The INTM_n (n = 0, 1) specify the valid edge to be detected on pins P20 to P26. The INTM0 specifies the valid edge for pins P20 to P23, and the INTM1 specifies the valid edge for pins P24 to P26.

The INTM_n can be read or written to with an 8-bit manipulation instruction or bit manipulation instruction. The format of INTM0 and INTM1 are shown in Figures 22-1 and 22-2 respectively.

$\overline{\text{RESET}}$ input clears these registers to 00H.

Figure 22-1. External Interrupt Mode Register 0 (INTM0) Format

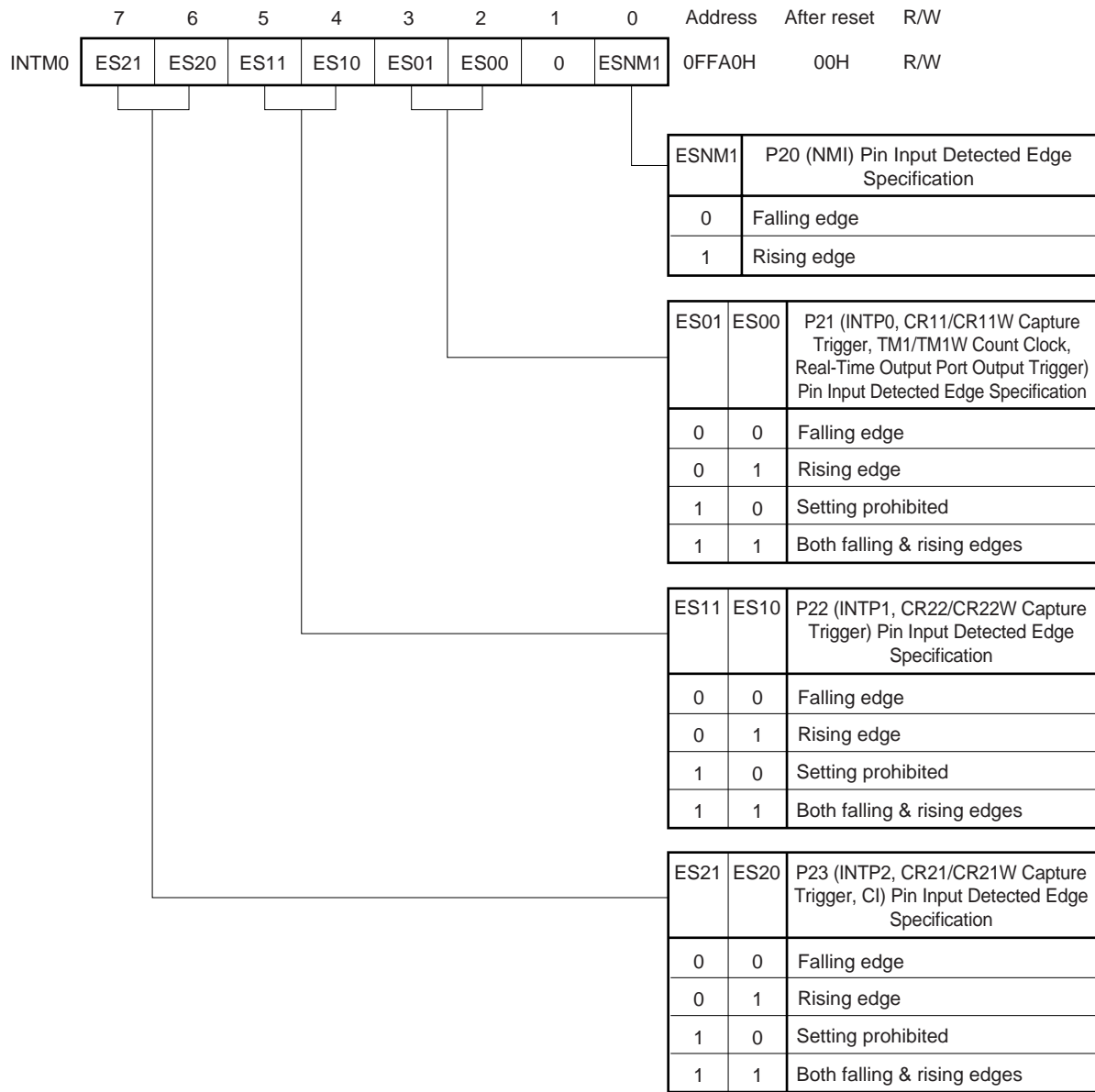
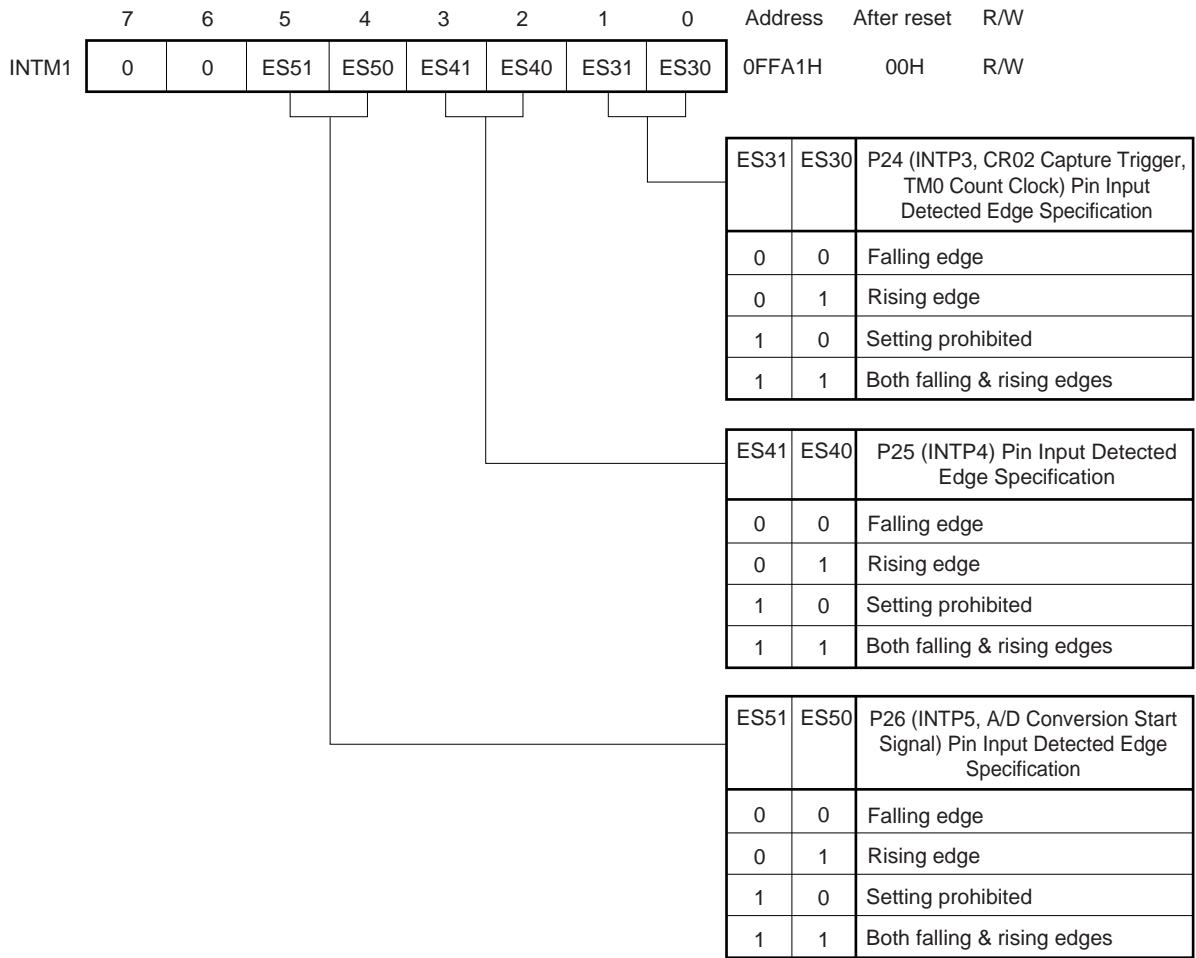


Figure 22-2. External Interrupt Mode Register 1 (INTM1) Format



Caution Valid edge detection cannot be performed when the valid edge is changed by a write to the external interrupt mode register (INTM_n: n = 0, 1). Also, if an edge is input during a change of the valid edge, that edge may or may not be judged to be a valid edge.

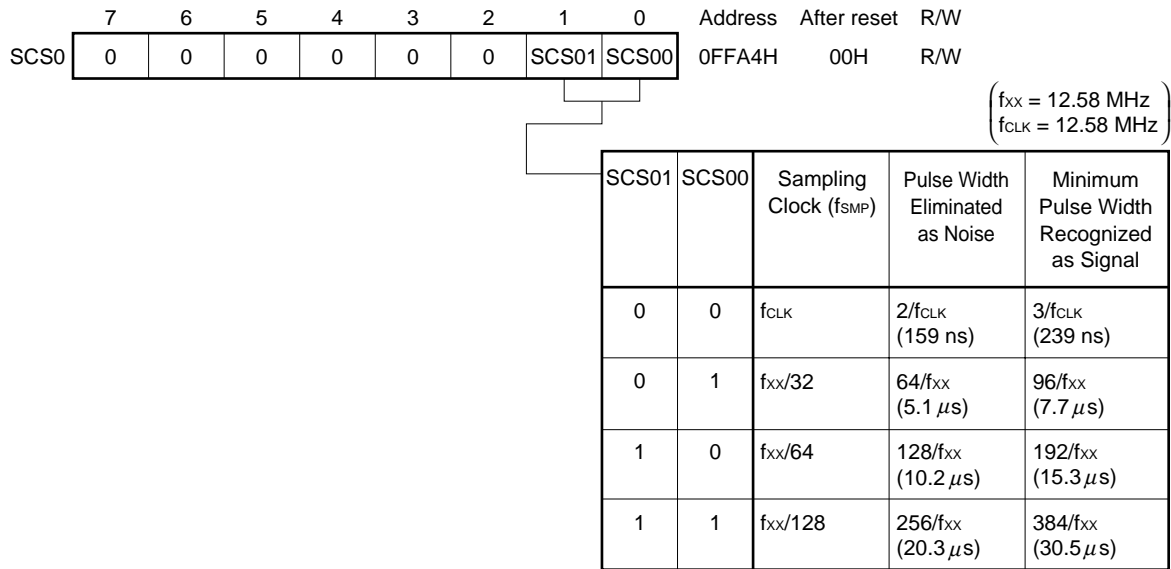
22.1.2 Sampling clock selection register (SCS0)

SCS0 specifies the sampling clock (f_{SMP}) for digital noise elimination performed on pin P21.

SCS0 can be read or written to with an 8-bit manipulation instruction. The format of SCS0 is shown in Figure 22-3.

\overline{RESET} input clears SCS0 to 00H.

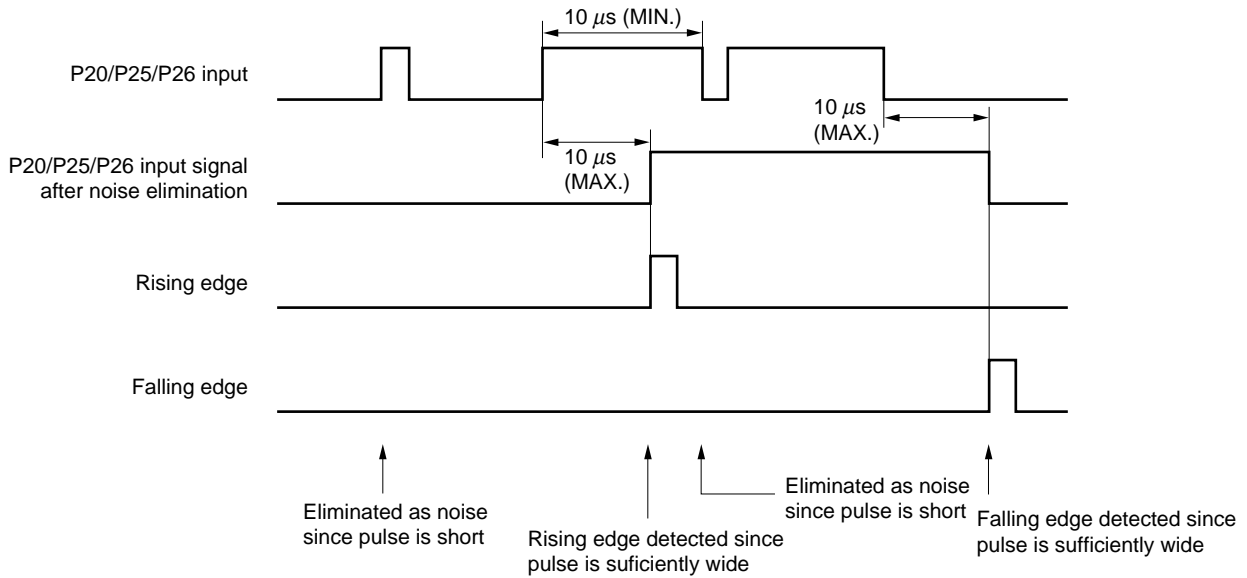
Figure 22-3. Sampling Clock Selection Register (SCS0) Format



22.2 Edge Detection for Pins P20, P25, and P26

On pins P20, P25, and P26, noise elimination is performed by means of analog delay before edge detection. Therefore, an edge cannot be detected unless the pulse width is a given time ($10\ \mu\text{s}$) or longer.

Figure 22-4. Edge Detection for Pins P20, P25, and P26



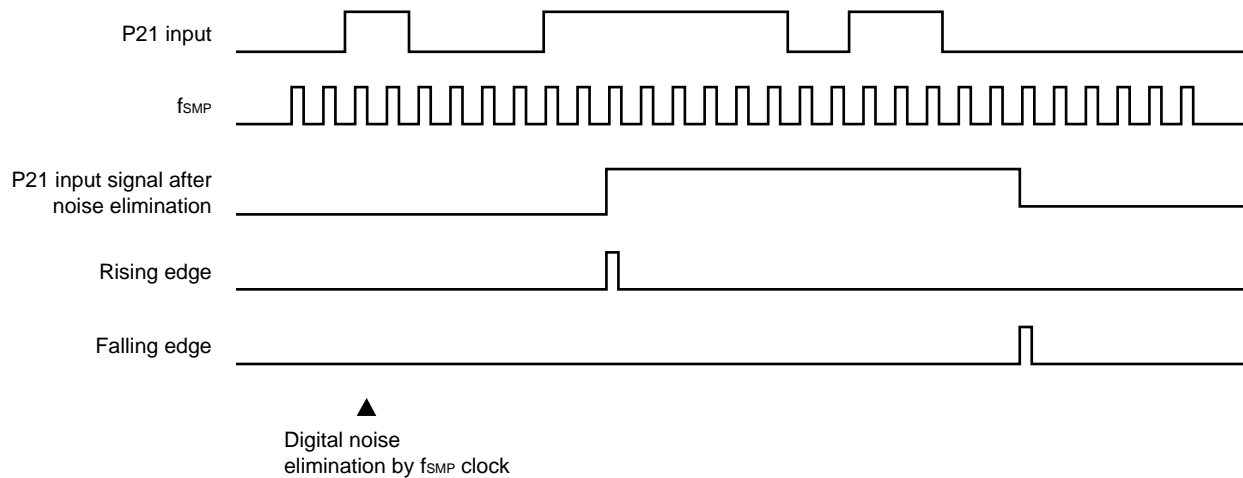
Caution Since analog delay noise elimination is performed on pins P20, P25, and P26, an edge is detected up to $10\ \mu\text{s}$ after it is actually input. Also, unlike pins P21 to P24, the delay before an edge is detected is not a specific value, because of differences in the characteristics of various devices.

22.3 P21 Pin Edge Detection

In P21 edge detection, digital noise elimination is performed using the clock (f_{SMP}) specified by the sampling clock selection register (SCS0). In digital noise elimination, input is sampled using the f_{SMP} clock, and if the input level is not the same at least three times in succession (if it is the same only two or fewer times in succession), it is eliminated as noise. Therefore, the level must be maintained for at least 3 f_{SMP} clock cycles in order to be recognized as a valid edge.

Remark When the pulse width of a signal with a comparatively long pulse width and a lot of noise, such as a reception signal infrared remote controller, is measured, or when a signal is input in which oscillation occurs when an edge occurs, as with switch input chattering, for instance, it is better to set the sampling clock to low speed with the sampling clock selection register (SCS0). If the sampling clock is high-speed, there will be a reaction to the short-pulse noise components as well, and the program will frequently have to judge whether the input is noise or a signal. However, by slowing down the sampling clock, reaction to short pulse width noise is eliminated and thus the program does not have to make judgments so frequently, and can thus be simplified.

Figure 22-5. P21 Pin Edge Detection



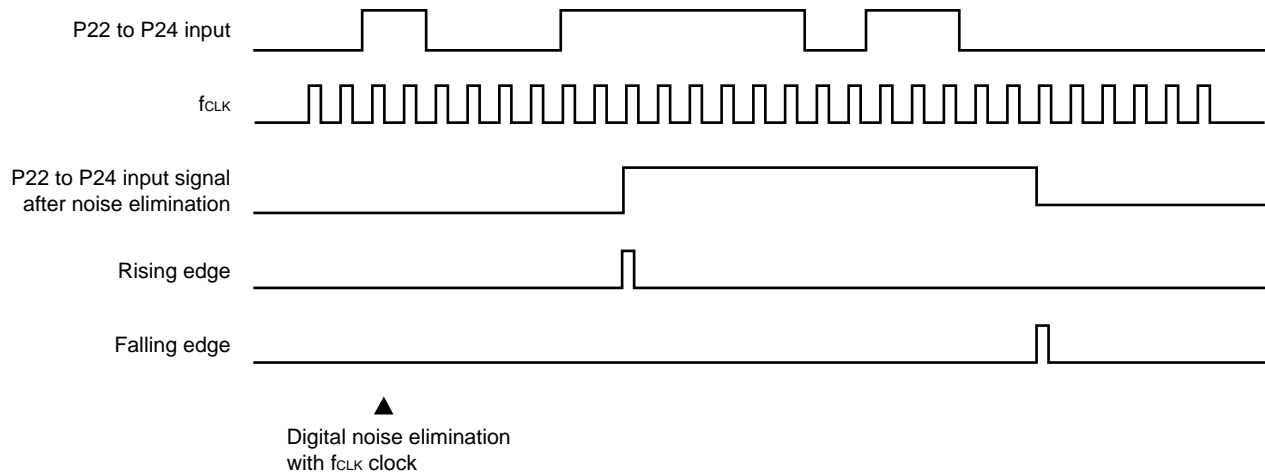
- Cautions**
1. Since digital noise elimination is performed with the f_{SMP} clock, there is a delay of 2 to 3 f_{SMP} clocks between input of an edge to the pin and the point at which the edge is actually detected.
 2. If the input pulse width is 2 to 3 f_{SMP} clocks, it is uncertain whether a valid edge will be detected. Therefore, to ensure reliable operation, the level should be held for at least 3 clocks.
 3. If noise input to the pin is synchronized with the f_{SMP} clock in the μ PD784938, it may not be recognized as noise. If there is a possibility of such noise being input, noise should be eliminated by adding a filter to the input pin.

22.4 Pin Edge Detection for Pins P22 to P24

Edge detection for pins P22 to P24 is performed after digital noise elimination by means of clock sampling. Unlike the P21 pin, f_{CLK} is used as the sampling clock.

In digital noise elimination, input is sampled using the f_{CLK} clock, and if the input level is not the same at least three times in succession (if it is the same only two or fewer times in succession), it is eliminated as noise. Therefore, the level must be maintained for at least 3 f_{CLK} clock cycles ($0.24 \mu\text{s}$: $f_{CLK} = 12.58 \text{ MHz}$) in order to be recognized as a valid edge.

Figure 22-6. Edge Detection for Pins P22 to P24



- Cautions**
1. Since digital noise elimination is performed with the f_{CLK} clock, there is a delay of 2 to 3 f_{CLK} clocks between input of an edge to the pin and the point at which the edge is actually detected.
 2. If the input pulse width is 2 to 3 f_{CLK} clocks, it is uncertain whether a valid edge will be detected. Therefore, to ensure reliable operation, the level should be held for at least 3 clocks.
 3. If noise input to a pin is synchronized with the f_{CLK} clock in the $\mu\text{PD784938}$, it may not be recognized as noise. If there is a possibility of such noise being input, noise should be eliminated by adding a filter to the input pins.

22.5 Cautions

- (1) Valid edge detection cannot be performed when the valid edge is changed by a write to the external interrupt mode register (INTMn: n = 0, 1). Also, if an edge is input during a change of the valid edge, that edge may or may not be judged to be a valid edge.
- (2) Since analog delay noise elimination is performed on pins P20, P25, and P26, an edge is detected up to 10 μ s after it is actually input. Also, unlike pins P21 to P24, the delay before an edge is detected is not a specific value, because of differences in the characteristics of various devices.
- (3) Since digital noise elimination is performed on the P21 pin with the f_{SMP} clock, there is a delay of 2 to 3 f_{SMP} clocks between input of an edge to the pin and the point at which the edge is actually detected.
- (4) If the input pulse width on the P21 pin is 2 to 3 f_{SMP} clocks, it is uncertain whether a valid edge will be detected. Therefore, to ensure reliable operation, the level should be held for at least 3 clocks.
- (5) If noise input of the P21 pin is synchronized with the f_{SMP} clock in the μ PD784938, it may not be recognized as noise. If there is a possibility of such noise being input, noise should be eliminated by adding a filter to the input pins.
- (6) Since digital noise elimination is performed on pins P22 to P24 with the f_{CLK} clock, there is a delay of 2 to 3 f_{CLK} clocks between input of an edge to the pin and the point at which the edge is actually detected.
- (7) If the input pulse width on pins P22 to P24 is 2 to 3 f_{CLK} clocks, it is uncertain whether a valid edge will be detected. Therefore, to ensure reliable operation, the level should be held for at least 3 clocks.
- (8) If noise input to pins P22 to P24 is synchronized with the f_{CLK} clock in the μ PD784938, it may not be recognized as noise. If there is a possibility of such noise being input, noise should be eliminated by adding a filter to the input pins.

CHAPTER 23 INTERRUPT FUNCTIONS

The μ PD784938 is provided with three interrupt request service modes (see **Table 23-1**). These three service modes can be set as required in the program. However interrupt service by macro service can only be selected for interrupt request sources provided with the macro service processing mode shown in Table 23-2. Context switching cannot be selected for non-maskable interrupts or operand error interrupts.

Multiple-interrupt control using 4 priority levels can easily be performed for maskable vectored interrupts.

Table 23-1. Interrupt Request Service Modes

Interrupt Request Service Mode	Servicing Performed	PC & PSW Contents	Service
Vectored interrupts	Software	Saving to & restoration from stack	Executed by branching to service program at address ^{Note} specified by vector table
Context switching		Saving to & restoration from fixed area in register bank	Executed by automatic switching to register bank specified by vector table and branching to service program at address ^{Note} specified by fixed area in register bank
Macro service	Hardware (firmware)	Retained	Execution of pre-set service such as data transfers between memory and I/O

Note The start addresses of all interrupt service programs must be in the base area. If the body of a service program cannot be located in the base area, a branch instruction to the service program should be written in the base area.

23.1 Interrupt Request Sources

The μ PD784938 has the 29 interrupt request sources shown in Table 23-2, with a vector table allocated to each.

Table 23-2. Interrupt Request Sources (1/2)

Type of Interrupt Request	Default Priority	Interrupt Request Generating Source	Generating Unit	Interrupt Control Register Name	Context Switching	Macro Service	Macro Service Control Word Address	Vector Table Address
Software	None	BRK instruction execution	—	— possible	Not possible	Not	—	3EH
		BRKCS instruction execution	—	—	Possible	Not	—	—
Operand error	None	Invalid operand in MOV STBC, #byte instruction or MOV WDM, #byte instruction, and LOCATION instruction	—	—	Not possible	Not possible	—	3CH
Non-maskable	None	NMI (pin input edge detection)	Edge detection	—	Not possible	Not possible	—	2H
		INTWDT (watchdog timer overflow)	Watchdog timer	—	Not possible	Not possible	—	4H

Table 23-2. Interrupt Request Sources (2/2)

Type of Interrupt Request	Default Priority	Interrupt Request Generating Source	Generating Unit	Interrupt Control Register Name	Context Switching	Macro Service	Macro Service Control Word Address	Vector Table Address
Maskable	0	INTP0 (pin input edge detection)	Edge detection	PIC0	Possible	Possible	0FE06H	6H
	1	INTP1 (pin input edge detection)		PIC1			0FE08H	8H
	2	INTP2 (pin input edge detection)		PIC2			0FE0AH	0AH
	3	INTP3 (pin input edge detection)		PIC3			0FE0CH	0CH
	4	INTC00 (TM0-CR00 match signal generation)	Timer/event counter 0	CIC00			0FE0EH	0EH
	5	INTC01 (TM0-CR01 match signal generation)		CIC01			0FE10H	10H
	6	INTC10 (TM1-CR10 or TM1W-CR10W match signal generation)	Timer/event counter 1	CIC10			0FE12H	12H
	7	INTC11 (TM1-CR11 or TM1W-CR11W match signal generation)		CIC11			0FE14H	14H
	8	INTC20 (TM2-CR20 or TM2W-CR20W match signal generation)	Timer/event counter 2	CIC20			0FE16H	16H
	9	INTC21 (TM2-CR21 or TM2W-CR21W match signal generation)		CIC21			0FE18H	18H
	10	INTC30 (TM3-CR30 or TM3W-CR30W match signal generation)	Timer 3	CIC30			0FE1AH	1AH
	11	INTP4 (pin input edge detection)	Edge detection	PIC4			0FE1CH	1CH
	12	INTP5 (pin input edge detection)		PIC5			0FE1EH	1EH
	13	INTAD (A/D conversion end)	A/D converter	ADIC	0FE20H	20H		
	14	INTSER (asynchronous serial interface receive error)	Asynchronous serial interface/ clocked serial interface 1	SERIC	Not possible	0FE22H	22H	
	15	INTSR (asynchronous serial interface reception end)		SRIC	Possible	0FE24H	24H	
		INTCSI1 (clocked serial interface transfer end)	CSIIC1					
	16	INTST (asynchronous serial interface transmission end)	STIC		0FE26H	26H		
	17	INTCSI (clocked serial interface transfer end)	Clocked serial interface	CSIIC		0FE28H	28H	
	18	INTSER2 (asynchronous serial interface 2 receive error)	Asynchronous serial interface 2/ clocked serial interface 2	SERIC2	Not possible	0FE2AH	2AH	
	19	INTSR2 (asynchronous serial interface 2 reception end)		SRIC2	Possible	0FE2CH	2CH	
		INTCSI2 (clocked serial interface 2 transfer end)	CSIIC2					
	20	INTST2 (asynchronous serial interface 2 transmission end)	STIC2		0FE2EH	2EH		
	21	INTIE1 (IEBus data access request)	IEBus controller	IEIC1		0FE32H	32H	
22	INTIE2 (IEBus communication error and communication end)	IEIC2			0FE34H	34H		
23	INTW (watch timer output)	Watch timer	WIC		0FE36H	36H		
24	INTCSI3 (clocked serial interface 3 transfer end)	Clocked serial interface 3	CSIIC3		0FE38H	38H		

- Remarks**
1. The default priority is a fixed number. This indicates the order of priority when interrupt requests specified as having the same priority are generated simultaneously,
 2. The INTSR and INTCSI1 interrupts are generated by the same hardware (they cannot both be used simultaneously). Therefore, although the same hardware is used for the interrupts, two names are provided, for use in each of the two modes. The same applies to INTSR2 and INTCSI2.

23.1.1 Software interrupts

Interrupts by software consist of the BRK instruction which generates a vectored interrupt and the BRKCS instruction which performs context switching.

Software interrupts are acknowledged even in the interrupt disabled state, and are not subject to priority control.

23.1.2 Operand error interrupts

These interrupts are generated if there is an illegal operand in an MOV STBC, #byte instruction or MOV WDMC, #byte instruction, and LOCATION instruction.

Operand error interrupts are acknowledged even in the interrupt disabled state, and are not subject to priority control.

23.1.3 Non-maskable interrupts

A non-maskable interrupt is generated by NMI pin input or the watchdog timer.

Non-maskable interrupts are acknowledged unconditionally^{Note}, even in the interrupt disabled state. They are not subject to interrupt priority control, and are of higher priority than any other interrupt.

Note Except during execution of the service program for the same non-maskable interrupt, and during execution of the service program for a higher-priority non-maskable interrupt

23.1.4 Maskable interrupts

A maskable interrupt is one subject to masking control according to the setting of an interrupt mask flag. In addition, acknowledgment enabling/disabling can be specified for all maskable interrupts by means of the IE flag in the program status word (PSW).

In addition to normal vectored interruption, maskable interrupts can be acknowledged by context switching and macro service (though some interrupts cannot use macro service: see **Table 23-2**).

The priority order for maskable interrupt requests when interrupt requests of the same priority are generated simultaneously is predetermined (default priority) as shown in Table 23-2. Also, multiprocessing control can be performed with interrupt priorities divided into 4 levels. However, macro service requests are acknowledged without regard to priority control or the IE flag.

23.2 Interrupt Service Modes

There are three μ PD784938 interrupt service modes, as follows:

- Vectored interrupt service
- Macro service
- Context switching

23.2.1 Vectored interrupt service

When an interrupt is acknowledged, the program counter (PC) and program status word (PSW) are automatically saved to the stack, a branch is made to the address indicated by the data stored in the vector table, and the interrupt service routine is executed.

23.2.2 Macro service

When an interrupt is acknowledged, CPU execution is temporarily suspended and a data transfer is performed by hardware. Since macro service is performed without the intermediation of the CPU, it is not necessary to save or restore CPU statuses such as the program counter (PC) and program status word (PSW) contents. This is therefore very effective in improving the CPU service time (See **23.8 Macro Service Function**).

23.2.3 Context switching

When an interrupt is acknowledged, the prescribed register bank is selected by hardware, a branch is made to a pre-set vector address in the register bank, and at the same time the current program counter (PC) and program status word (PSW) are saved in the register bank (see **23.4.2 BRKCS instruction software interrupt (software context switching) acknowledgment operation** and **23.7.2 Context switching**).

Remark “Context” refers to the CPU registers that can be accessed by a program while that program is being executed. These registers include general registers, the program counter (PC), program status word (PSW), and stack pointer (SP).

23.3 Interrupt Service Control Registers

μ PD784938 interrupt service is controlled for each interrupt request by various control registers that perform interrupt service specification. The interrupt control registers are listed in Table 23-3.

Table 23-3. Control Registers

Register Name	Symbol	Function
Interrupt control registers	PIC0 PIC1 PIC2 PIC3 CIC00 CIC01 CIC10 CIC11 CIC20 CIC21 CIC30 PIC4 PIC5 ADIC SERIC SRIC CSIC1 STIC CSIC SERIC2 SRIC2 CSIC2 STIC2 IEIC1 IEIC2 WIC CSIC3	Registers that perform each interrupt request generation recording, mask control, vectored interrupt service or macro service specification, context switching function enabling/disabling, and priority specification.
Interrupt mask registers	MK0 MK1	Maskable interrupt request mask control Linked to mask control flags in interrupt control registers Word accesses or byte accesses possible
In-service priority register	ISPR	Records priority of interrupt request currently being acknowledged
Interrupt mode control register	IMC	Controls nesting of maskable interrupts for which lowest priority level (level 3) is specified
Watchdog timer mode register	WDM	Specifies priority of interrupts due to NMI pin input and interrupts due to watchdog timer overflow
Program status word	PSW	Specifies enabling/disabling of maskable interrupt acknowledgment

An interrupt control register is allocated to each interrupt source. The flags of each register perform control of the contents corresponding to the relevant bit position in the register. The interrupt control register flag names corresponding to each interrupt request signal are shown in Table 23-4.

Table 23-4. Interrupt Control Register Flags Corresponding to Interrupt Request (1/2)

Default Priority	Interrupt Request Signal	Interrupt Control Registers					
			Interrupt Request Flag	Interrupt Mask Flag	Macro Service Enable Flag	Priority Specification Flag	Context Switching Enable Flag
0	INTP0	PIC0	PIF0	PMK0	PISM0	PPR00 PPR01	PCSE0
1	INTP1	PIC1	PIF1	PMK1	PISM1	PPR10 PPR11	PCSE1
2	INTP2	PIC2	PIF2	PMK2	PISM2	PPR20 PPR21	PCSE2
3	INTP3	PIC3	PIF3	PMK3	PISM3	PPR30 PPR31	PCSE3
4	INTC00	CIC00	CIF00	CMK00	CISM00	CPR000 CPR001	CCSE00
5	INTC01	CIC01	CIF01	CMK01	CISM01	CPR010 CPR011	CCSE01
6	INTC10	CIC10	CIF10	CMK10	CISM10	CPR100 CPR101	CCSE10
7	INTC11	CIC11	CIF11	CMK11	CISM11	CPR110 CPR111	CCSE11
8	INTC20	CIC20	CIF20	CMK20	CISM20	CPR200 CPR201	CCSE20
9	INTC21	CIC21	CIF21	CMK21	CISM21	CPR210 CPR211	CCSE21
10	INTC30	CIC30	CIF30	CMK30	CISM30	CPR300 CPR301	CCSE30
11	INTP4	PIC4	PIF4	PMK4	PISM4	PPR40 PPR41	PCSE4
12	INTP5	PIC5	PIF5	PMK5	PISM5	PPR50 PPR51	PCSE5
13	INTAD	ADIC	ADIF	ADMK	ADISM	ADPR0 ADPR1	ADCSE
14	INTSER	SERIC	SERIF	SERMK	—	SERPR0 SERPR1	SERCSE
15	INTSR	SRIC	SRIF	SRMK	SRISM	SRPR0 SRPR1	SRCSE
	INTCSI1	CSIIC1	CSIIF1	CSIMK1	CSIISM1	CSIPR10 CSIPR11	CSICSE1
16	INTST	STIC	STIF	STMK	STISM	STPR0 STPR1	STCSE
17	INTCSI	CSIIC	CSIIF	CSIMK	CSIISM	CSIPR0 CSIPR1	CSICSE
18	INTSER2	SERIC2	SERIF2	SERMK2	—	SERPR20 SERPR21	SERCSE2
19	INTSR2	SRIC2	SRIF2	SRMK2	SRISM2	SRPR20 SRPR21	SRCSE2
	INTCSI2	CSIIC2	CSIIF2	CSIMK2	CSIISM2	CSIPR20 CSIPR21	CSICSE2

Table 23-4. Interrupt Control Register Flags Corresponding to Interrupt Request (2/2)

Default Priority	Interrupt Request Signal	Interrupt Control Registers					
			Interrupt Request Flag	Interrupt Mask Flag	Macro Service Enable Flag	Priority Specification Flag	Context Switching Enable Flag
20	INTST2	STIC2	STIF2	STMK2	STISM2	STPR20 SERPR21	STCSE2
21	INTIE1	IEIC1	IEIF1	IEMK1	IEISM1	IEPR10 IEPR11	IECSE1
22	INTIE2	IEIC2	IEIF2	IEMK2	IEISM2	IEPR20 IEPR21	IECSE2
23	INTW	WIC	WIF	WMK	WISM	WRP0 WRP1	WCSE
24	INTCSI3	CSIC3	CSIF3	CSIMK3	CSIISM3	CSIPR30 CSIPR31	CSICSE3

23.3.1 Interrupt control registers

An interrupt control register is allocated to each interrupt source, and performs priority control, mask control, etc. for the corresponding interrupt request. The interrupt control register format is shown in Figure 23-1.

(1) Priority specification flags (××PR1/××PR0)

The priority specification flags specify the priority on an individual interrupt source basis for the 25 maskable interrupts. Up to 4 priority levels can be specified, and a number of interrupt sources can be specified at the same level. Among maskable interrupt sources, level 0 is the highest priority.

If multiple interrupt requests are generated simultaneously among interrupt source of the same priority level, they are acknowledged in default priority order.

These flags can be manipulated bit-wise by software.

$\overline{\text{RESET}}$ input sets all bits to “1”.

(2) Context switching enable flag (××CSE)

The context switching enable flag specifies that a maskable interrupt request is to be serviced by context switching. In context switching, the register bank specified beforehand is selected by hardware, a branch is made to a vector address stored beforehand in the register bank, and at the same time the current contents of the program counter (PC) and program status word (PSW) are saved in the register bank.

Context switching is suitable for real-time processing, since execution of interrupt servicing can be started faster than with normal vectored interrupt servicing.

This flag can be manipulated bit-wise by software.

(3) Macro service enable flag (××ISM)

The macro service enable flag specifies whether an interrupt request corresponding to that flag is to be handled by vectored interruption or context switching, or by macro service.

When macro service processing is selected, at the end of the macro service (when the macro service counter reaches 0) the macro service enable flag is automatically cleared (to 0) by hardware (vectored interrupt service/context switching service).

This flag can be manipulated bit-wise by software.

$\overline{\text{RESET}}$ input sets all bits to “0”.

(4) Interrupt mask flag (××MK)

An interrupt mask flag specifies enabling/disabling of vectored interrupt servicing and macro service processing for the interrupt request corresponding to that flag.

The interrupt mask contents are not changed by the start of interrupt service, etc., and are the same as the interrupt mask register contents (see **23.3.2 Interrupt Mask Registers (MK0/MK1)**).

Macro service processing requests are also subject to mask control, and macro service requests can also be masked with this flag.

This flag can be manipulated by software.

$\overline{\text{RESET}}$ input sets all bits to “1”.

(5) Interrupt request flag (××IF)

An interrupt request flag is set (to 1) by generation of the interrupt request that corresponds to that flag. When the interrupt is acknowledged, the flag is automatically cleared (to 0) by hardware.

This flag can be manipulated by software.

$\overline{\text{RESET}}$ input sets all bits to “0”.

Figure 23-1. Interrupt Control Registers (××ICn) (1/4)

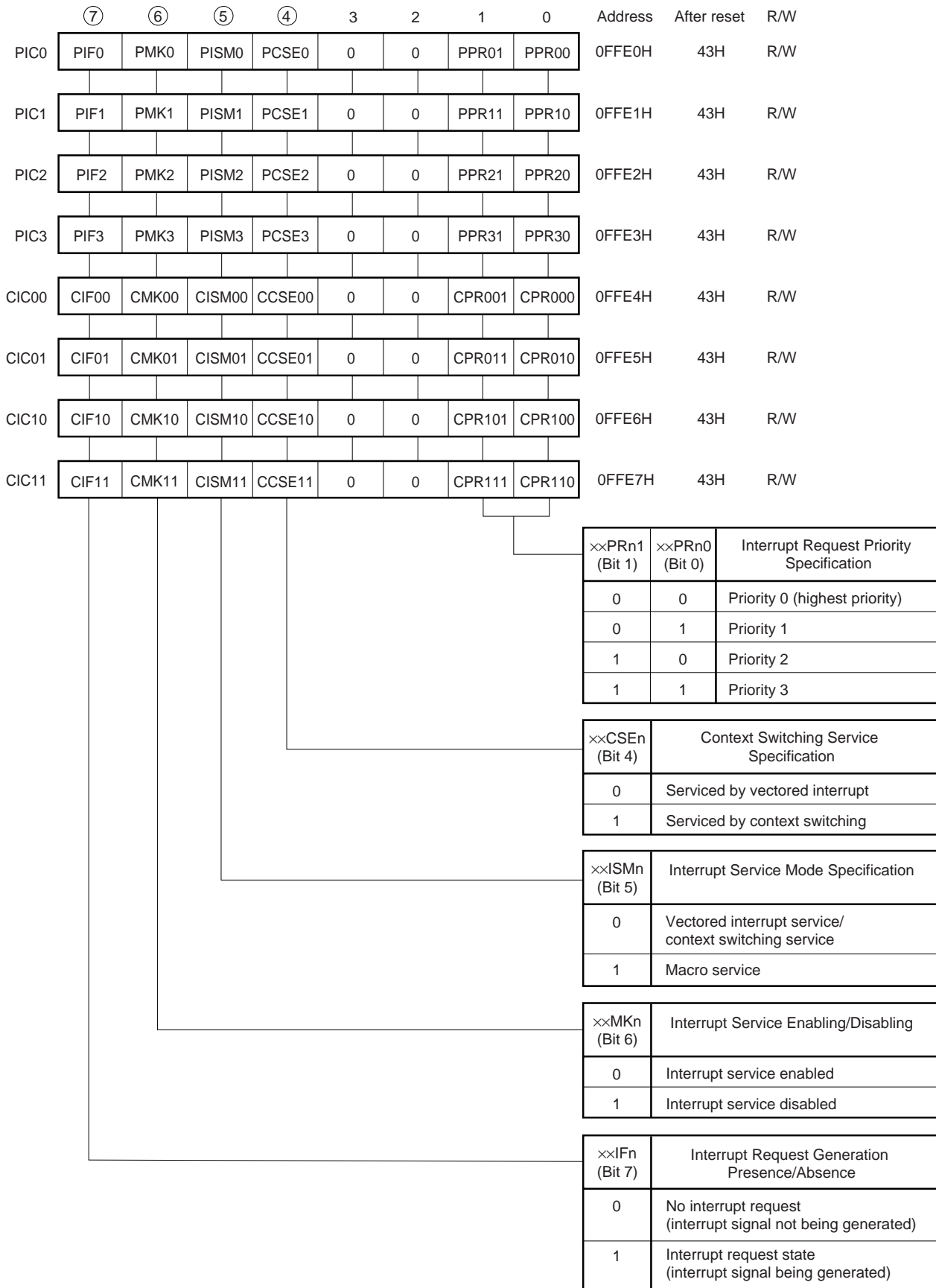


Figure 23-1. Interrupt Control Registers (××ICn) (2/4)

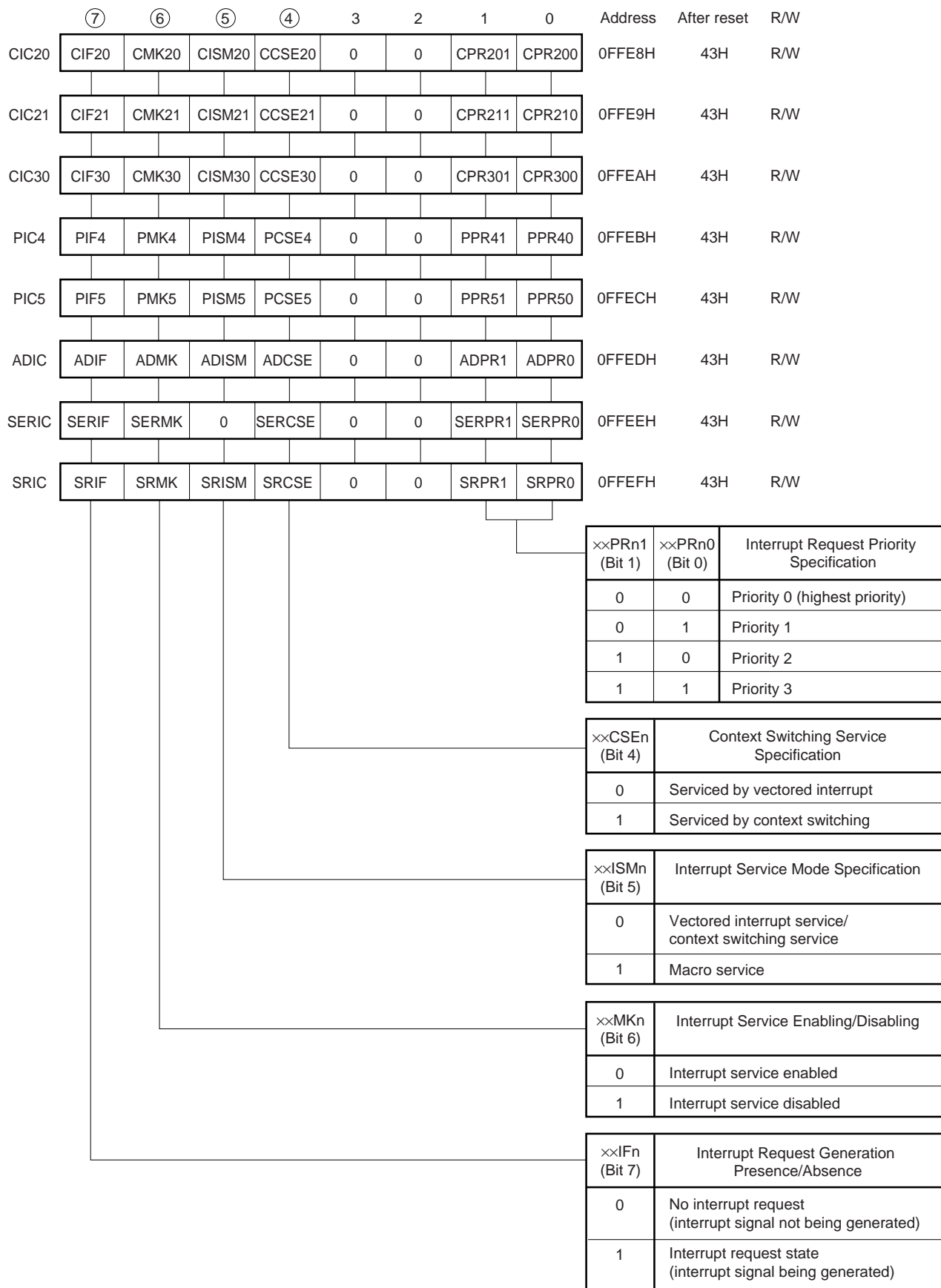


Figure 23-1. Interrupt Control Registers (××ICn) (3/4)

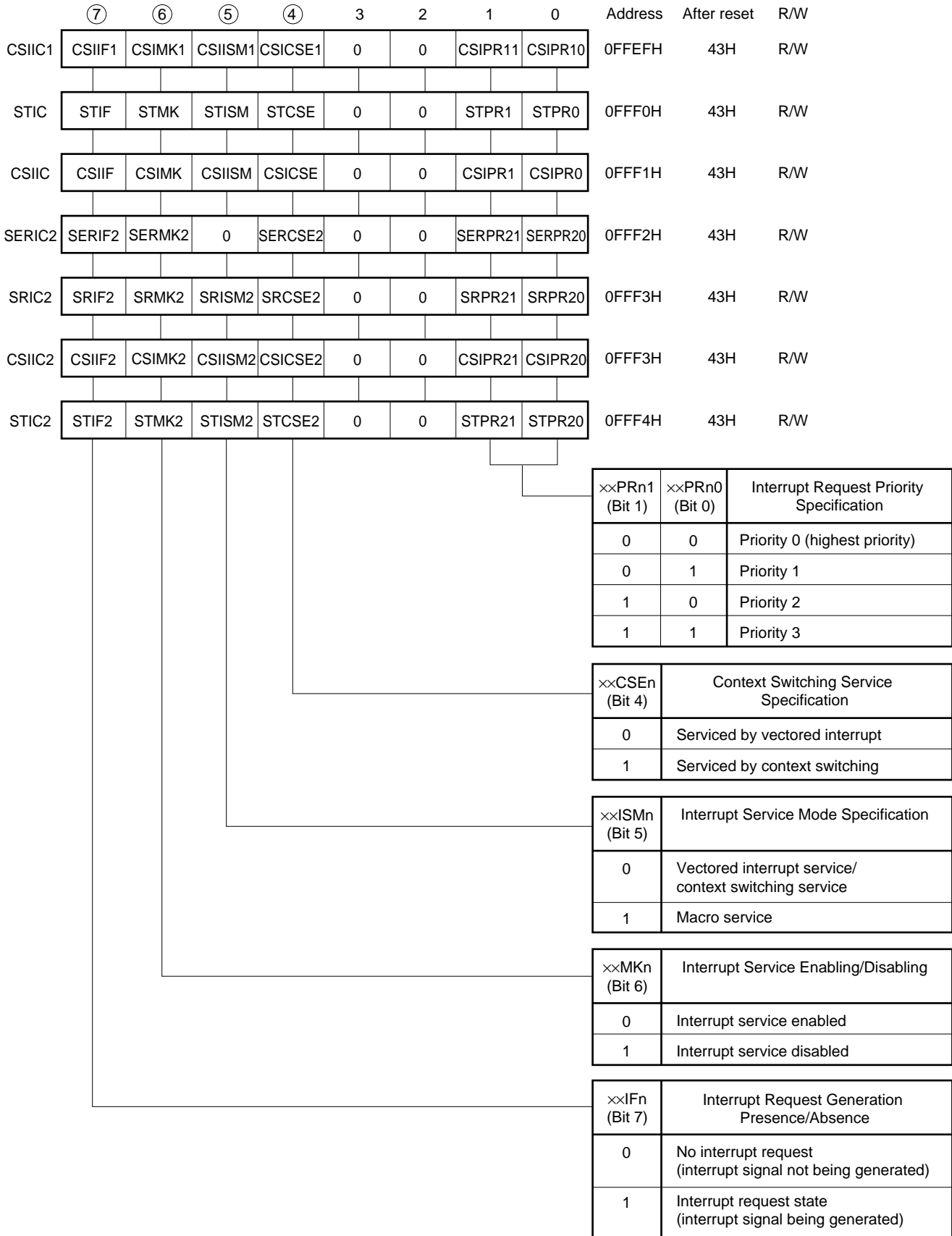
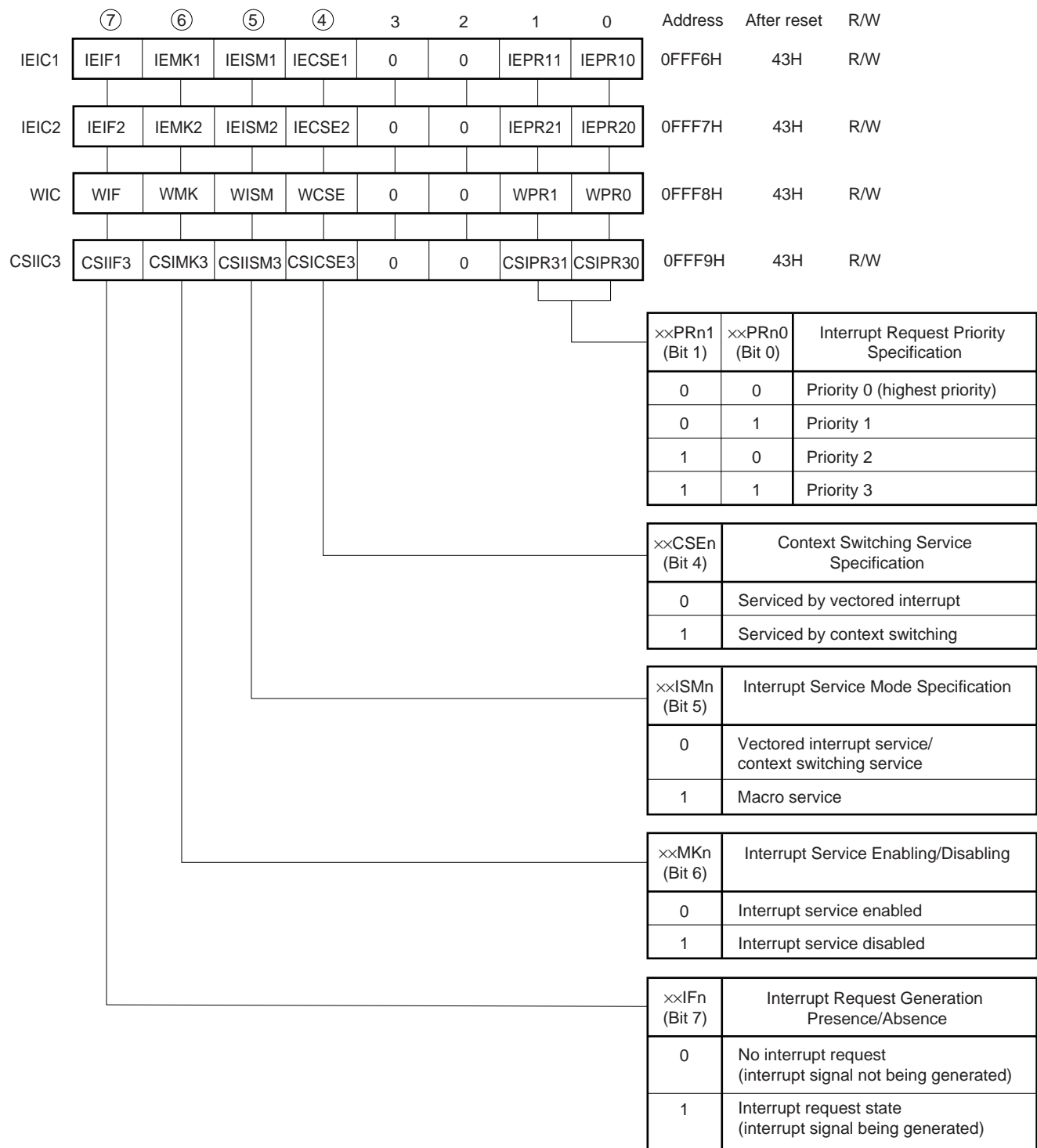


Figure 23-1. Interrupt Control Registers (××ICn) (4/4)



23.3.2 Interrupt mask registers (MK0/MK1)

MK0 and MK1 are composed of interrupt mask flags. MK0 and MK1 are 16-bit register which can be manipulated as 8-bit units, MK0L, MK0H, MK1L, and MK1H, as well as being manipulated as a 16-bit unit.

In addition, each bit of MK0 and MK1 can be manipulated individually with a bit manipulation instruction. Each interrupt mask flag controls enabling/disabling of the corresponding interrupt request.

When an interrupt mask flag is set (to 1), acknowledgment of the corresponding interrupt request is disabled.

When an interrupt mask flag is cleared (to 0), the corresponding interrupt request can be acknowledged as a vectored interrupt or macro service request.

Each interrupt mask flag in MK0 and MK1 is the same flag as the interrupt mask flag in the interrupt control register. MK0 and MK1 are provided for en bloc control of interrupt masking.

$\overline{\text{RESET}}$ input sets MK0 and MK1 to FFFFH, and all maskable interrupts are disabled.

Figure 23-2. Interrupt Mask Register (MK0, MK1) Format (1/2)

(1) Byte Accesses

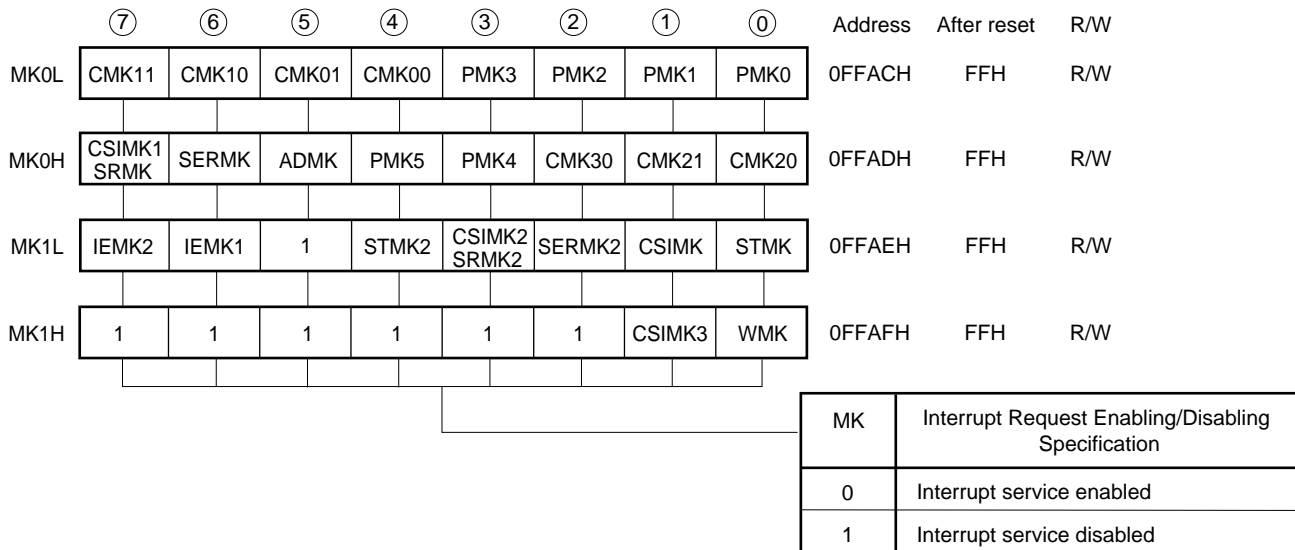
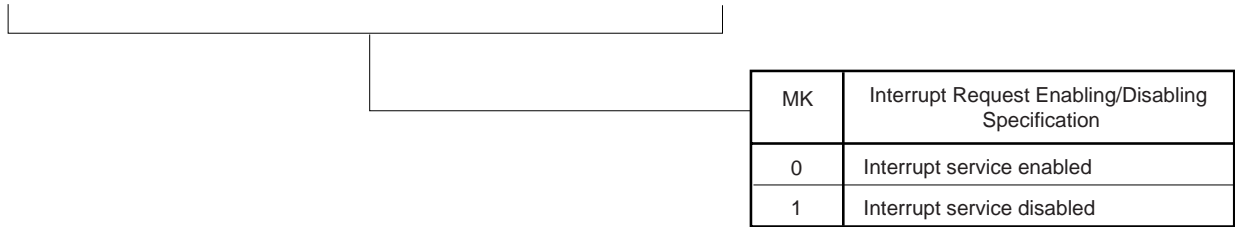
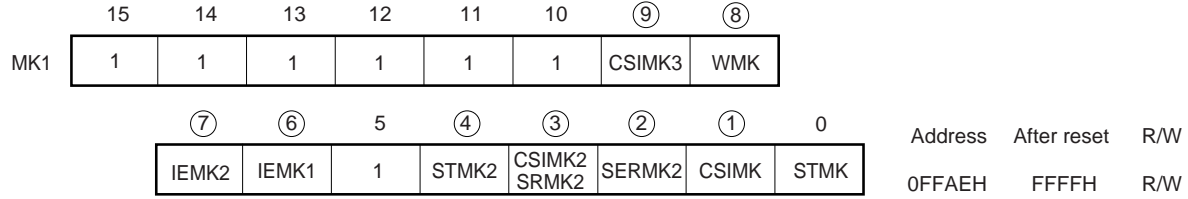
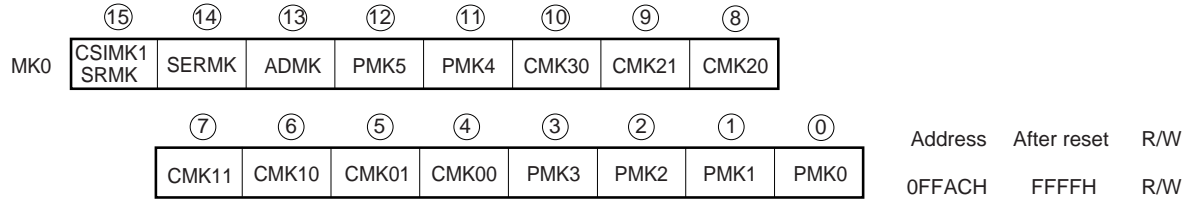


Figure 23-2. Interrupt Mask Register (MK0, MK1) Format (2/2)

(2) Word Accesses



23.3.3 In-service priority register (ISPR)

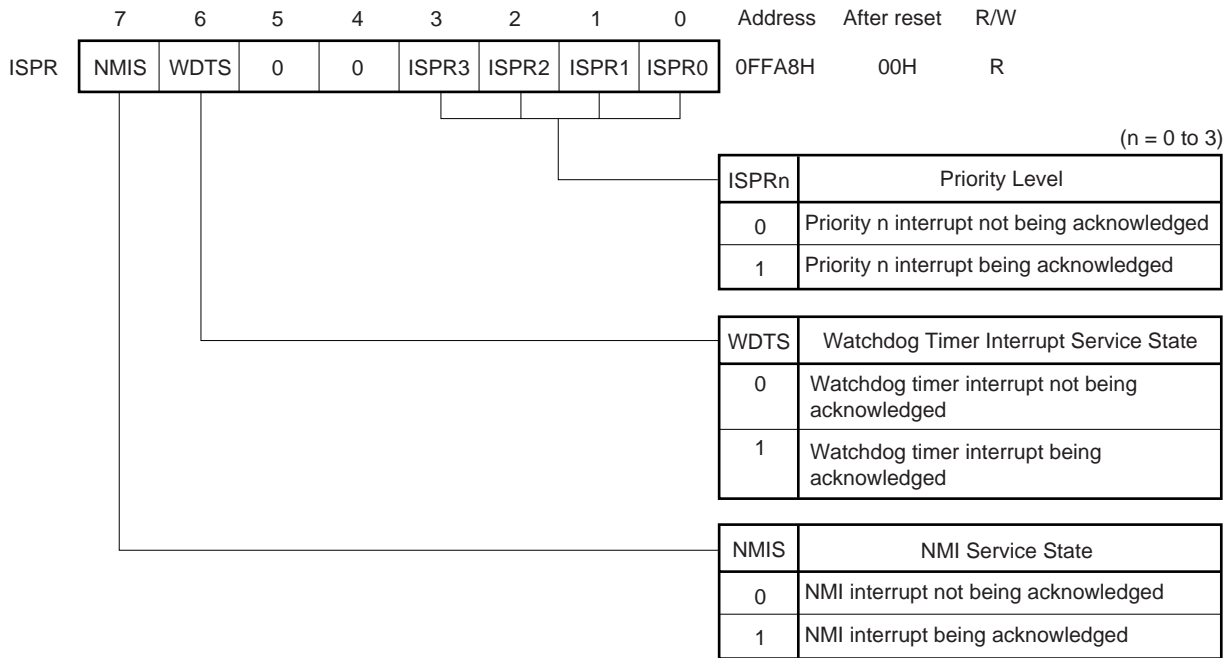
ISPR shows the priority level of the maskable interrupt currently being serviced and the non-maskable interrupt being serviced. When a maskable interrupt request is acknowledged, the bit corresponding to the priority of that interrupt request is set (to 1), and remains set until the service program ends. When a non-maskable interrupt is acknowledged, the bit corresponding to the priority of that non-maskable interrupt is set (to 1), and remains set until the service program ends.

When an RETI instruction or RETCS instruction is executed, the bit, among those set (to 1) in the ISPR, that corresponds to the highest-priority interrupt request is automatically cleared (to 0) by hardware.

The contents of ISPR are not changed by execution of an RETB or RETCSB instruction.

RESET input clears ISPR to 00H.

Figure 23-3. In-Service Priority Register (ISPR) Format



Caution In-service priority register (ISPR) is a read-only register. There is a risk of misoperation if a write is performed on this register.

23.3.4 Interrupt mode control register (IMC)

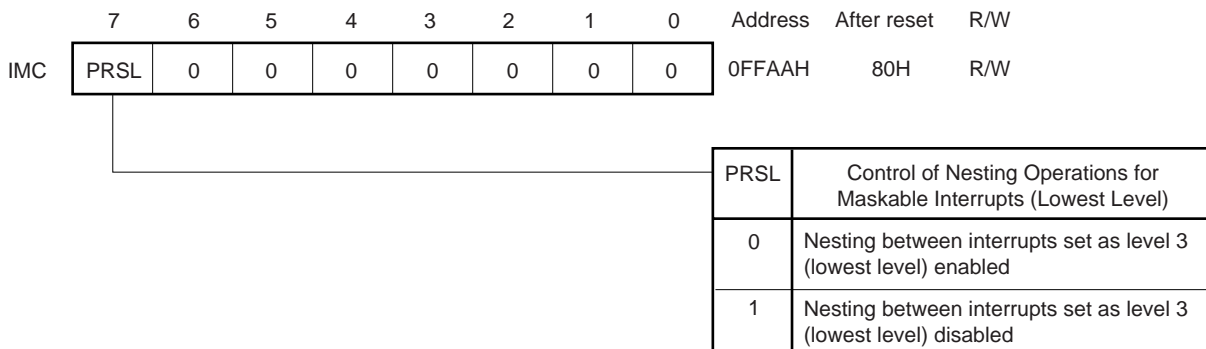
IMC contains the PRSL flag. The PRSL flag specifies enabling/disabling of nesting of maskable interrupts for which the lowest priority level (level 3) is specified.

When IMC is manipulated, the interrupt disabled state (DI state) should be set first to prevent misoperation.

IMC can be read or written to with an 8-bit manipulation instruction or bit manipulation instruction.

RESET input sets IMC to 80H.

Figure 23-4. Interrupt Mode Control Register (IMC) Format



23.3.5 Watchdog timer mode register (WDM)

The PRC bit of WDM specifies the priority of NMI pin input non-maskable interrupts and watchdog timer overflow non-maskable interrupts.

WDM can be written to only by a dedicated instruction. This dedicated instruction, MOV WDM, #byte, has a special code configuration (4 bytes), and a write is not performed unless the 3rd and 4th bytes of the operation code are mutual complements of 1.

If the 3rd and 4th bytes of the operation code are not complements of 1, a write is not performed and an operand error interrupt is generated. In this case, the return address saved in the stack area is the address of the instruction that was the source of the error, and thus the address that was the source of the error can be identified from the return address saved in the stack area.

If recovery from an operand error is simply performed by means of an RETB instruction, an endless loop will result.

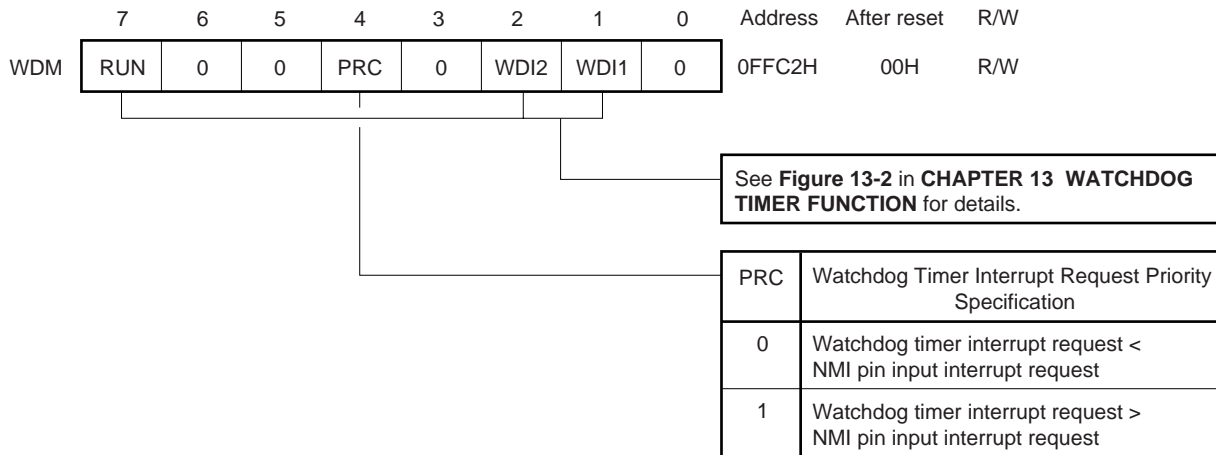
As an operand error interrupt is only generated in the event of an inadvertent program loop (with the NEC assembler, RA78K4, only the correct dedicated instruction is generated when MOV WDM, #byte is written), system initialization should be performed by the program.

Other write instructions (MOV WDM, A, AND WDM, #byte instruction, SET1 WDM.7, etc.) are ignored and do not perform any operation. That is, a write is not performed to the WDM, and an interrupt such as an operand error interrupt is not generated.

WDM can be read at any time by a data transfer instruction.

RESET input clears WDM to 00H.

Figure 23-5. Watchdog Timer Mode Register (WDM) Format



Caution The watchdog timer mode register (WDM) can only be written to with a dedicated instruction (MOV WDM, #byte).

23.3.6 Program status word (PSW)

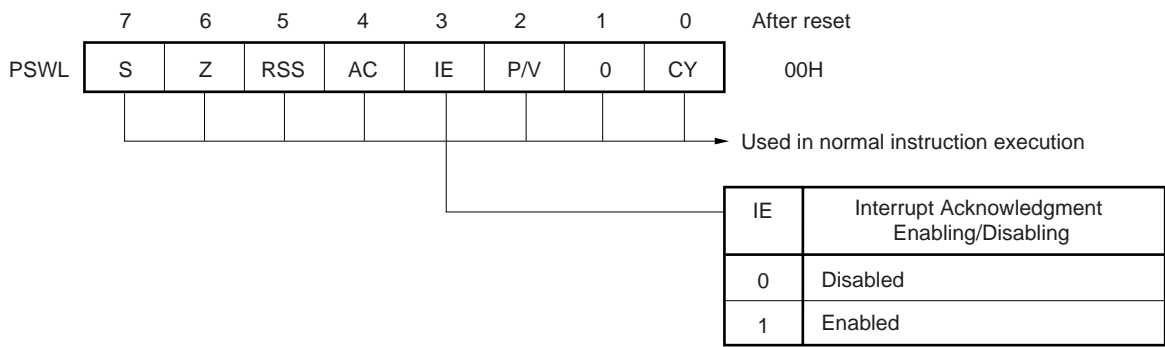
PSW is a register that holds the current status regarding instruction execution results and interrupt requests. The IE flag that sets enabling/disabling of maskable interrupts is mapped in the low-order 8 bits of the PSW (PSWL).

PSWL can be read or written to with an 8-bit manipulation instruction, and can also be manipulated with a bit manipulation instruction or dedicated instruction (EI/DI).

When a vectored interrupt is acknowledged or a BRK instruction is executed, PSWL is saved to the stack and the IE flag is cleared (to 0). PSWL is also saved to the stack by the PUSH PSW instruction, and is restored from the stack by the RETI, RETB and POP PSW instructions.

When context switching or a BRKCS instruction is executed, PSWL is saved to a fixed area in the register bank, and the IE flag is cleared (to 0). PSWL is restored from the fixed area in the register bank by an RETCSI or RETCSB instruction. $\overline{\text{RESET}}$ input clears PSWL to 00H.

Figure 23-6. Program Status Word (PSWL) Format



23.4 Software Interrupt Acknowledgment Operations

A software interrupt is acknowledged in response to execution of a BRK or BRKCS instruction. Software interrupts cannot be disabled.

23.4.1 BRK instruction software interrupt acknowledgment operation

When a BRK instruction is executed, the program status word (PSW), program counter (PC) are saved in that order to the stack, the IE flag is cleared (to 0), the vector table (003EH/003FH) contents are loaded into the low-order 16 bits of the PC, and 0000B into the high-order 4 bits, and a branch is performed (the start of the service program must be in the base area).

The RETB instruction must be used to return from a BRK instruction software interrupt.

Caution The RETI instruction must not be used to return from a BRK instruction software interrupt.

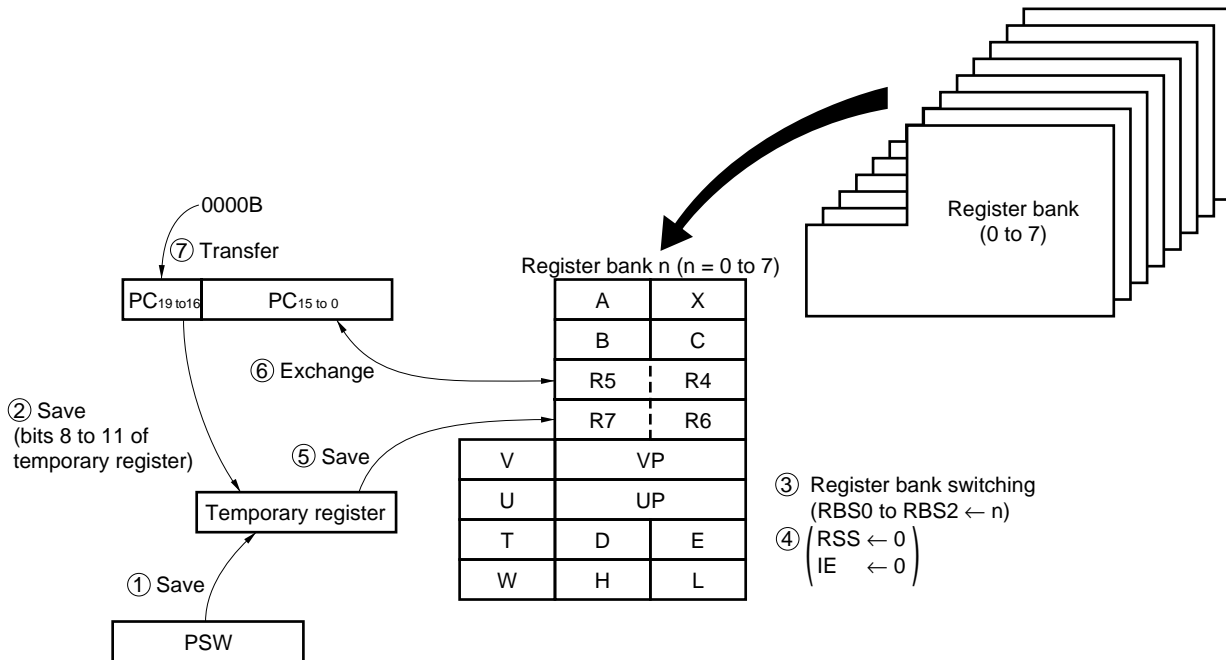
23.4.2 BRKCS instruction software interrupt (software context switching) acknowledgment operation

The context switching function can be initiated by executing a BRKCS instruction.

The register bank to be used after context switching is specified by the BRKCS instruction operand.

When a BRKCS instruction is executed, the program branches to the start address of the interrupt service program (which must be in the base area) stored beforehand in the specified register bank, and the contents of the program status word (PSW) and program counter (PC) are saved in the register bank.

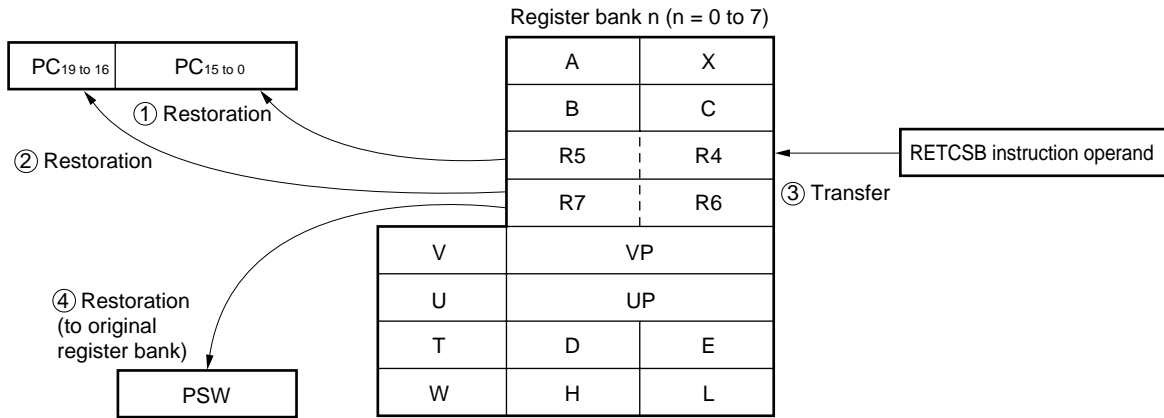
Figure 23-7. Context Switching Operation by Execution of a BRKCS Instruction



The RETCSB instruction is used to return from a software interrupt due to a BRKCS instruction. The RETCSB instruction must specify the start address of the interrupt service program for the next time context switching is performed by a BRKCS instruction. This interrupt service program start address must be in the base area.

Caution The RETCS instruction must not be used to return from a BRKCS instruction software interrupt.

Figure 23-8. Return from BRKCS Instruction Software Interrupt (RETCSB instruction operation)



23.5 Operand Error Interrupt Acknowledgment Operation

An operand error interrupt is generated when the data obtained by inverting all the bits of the 3rd byte of the operand of a “MOV STBC, #byte instruction”, “LOCATION instruction” or a “MOV WDM, #byte instruction” does not match the 4th byte of the operand. Operand error interrupts cannot be disabled.

When an operand error interrupt is generated, the program status word (PSW) and the start address of the instruction that caused the error are saved to the stack, the IE flag is cleared (to 0), the vector table value is loaded into the program counter (PC), and a branch is performed (within the base area only).

As the address saved to the stack is the start address of the instruction in which the error occurred, simply writing an RETB instruction at the end of the operand error interrupt service program will result in generation of another operand error interrupt. You should therefore either process the address in the stack or initialize the program by referring to **23.12 Restoring Interrupt Function to Initial State**.

23.6 Non-Maskable Interrupt Acknowledgment Operation

Non-maskable interrupts are acknowledged even in the interrupt disabled state. Non-maskable interrupts can be acknowledged at all times except during execution of the service program for an identical non-maskable interrupt or a non-maskable interrupt of higher priority.

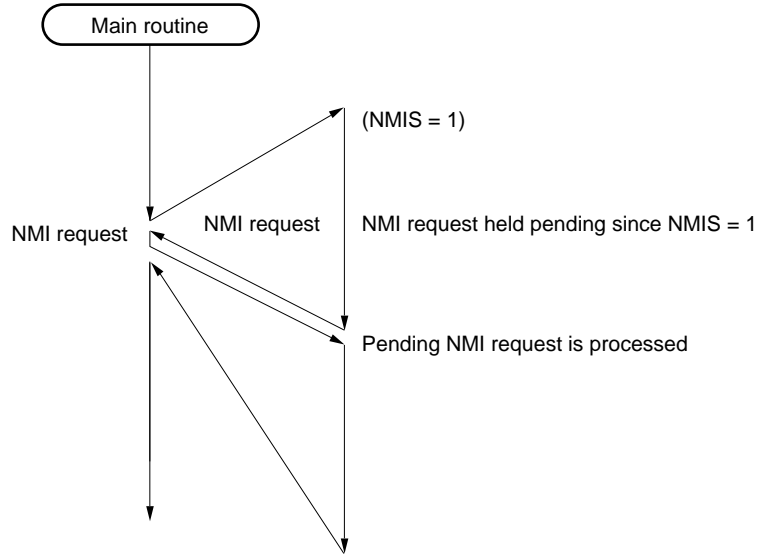
The relative priorities of non-maskable interrupts are set by the PRC bit of the watchdog timer mode register (WDM) (see **23.3.5 Watchdog timer mode register (WDM)**).

Except in the cases described in **23.9 When Interrupt Requests and Macro Service are Temporarily Held Pending**, a non-maskable interrupt request is acknowledged immediately. When a non-maskable interrupt request is acknowledged, the program status word (PSW) and program counter (PC) are saved in that order to the stack, the IE flag is cleared (to 0), the in-service priority register (ISPR) bit corresponding to the acknowledged non-maskable interrupt is set (to 1), the vector table contents are loaded into the PC, and a branch is performed. The ISPR bit that is set (to 1) is the NMIS bit in the case of a non-maskable interrupt due to edge input to the NMI pin, and the WDTS bit in the case of watchdog timer overflow.

When the non-maskable interrupt service program is executed, non-maskable interrupt requests of the same priority as the non-maskable interrupt currently being executed and non-maskable interrupts of lower priority than the non-maskable interrupt currently being executed are held pending. A pending non-maskable interrupt is acknowledged after completion of the non-maskable interrupt service program currently being executed (after execution of the RETI instruction). However, even if the same non-maskable interrupt request is generated more than once during execution of the non-maskable interrupt service program, only one non-maskable interrupt is acknowledged after completion of the non-maskable interrupt service program.

Figure 23-9. Non-Maskable Interrupt Request Acknowledgment Operations (1/2)

(a) When a new NMI request is generated during NMI service program execution



(b) When a watchdog timer interrupt request is generated during NMI service program execution (when the watchdog timer interrupt priority is higher (when PRC in the WDM = 1))

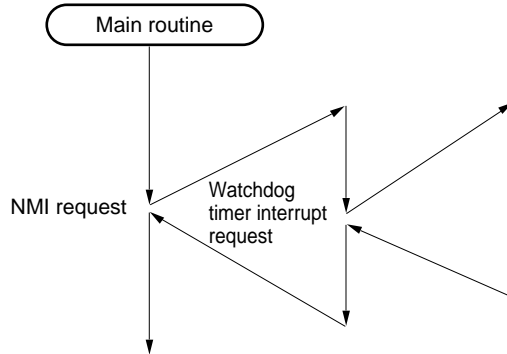
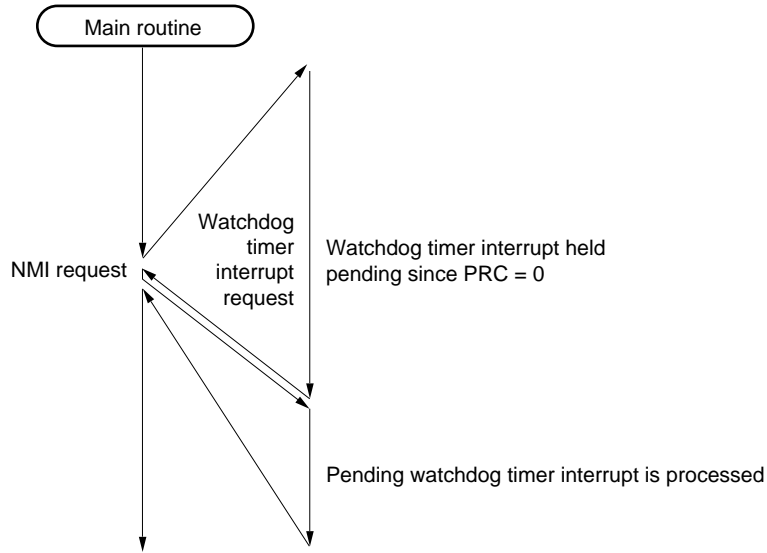
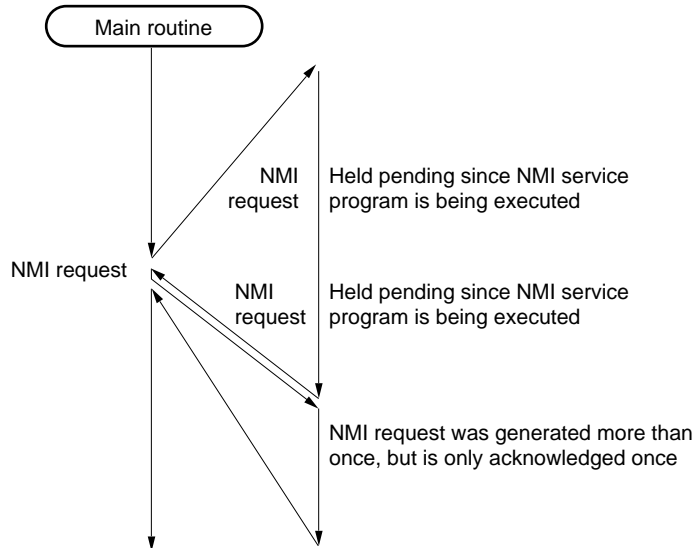


Figure 23-9. Non-Maskable Interrupt Request Acknowledgment Operations (2/2)

(c) When a watchdog timer interrupt request is generated during NMI service program execution (when the NMI interrupt priority is higher (when PRC in the WDM = 0))



(d) When an NMI request is generated twice during NMI service program execution



- Cautions**
1. Macro service requests are acknowledged and serviced even during execution of a non-maskable interrupt service program. If you do not want macro service processing to be performed during a non-maskable interrupt service program, you should manipulate the interrupt mask register in the non-maskable interrupt service program to prevent macro service generation.
 2. The RETI instruction must be used to return from a non-maskable interrupt. Subsequent interrupt acknowledgment will not be performed normally if a different instruction is used.
 3. Non-maskable interrupts are always acknowledged, except during non-maskable interrupt service program execution (except when a high non-maskable interrupt request is generated during execution of a low-priority non-maskable interrupt service program) and for a certain period after execution of the special instructions shown in 23.9 When Interrupt Requests and Macro Service are Temporarily Held Pending. Therefore, a non-maskable interrupt will be acknowledged even when the stack pointer (SP) value is undefined, in particular after reset release, etc. In this case, depending on the value of the SP, it may happen that the program counter (PC) and program status word (PSW) are written to the address of a write-inhibited special function register (SFR) (see Table 3-5 in 3.9 Special Function Registers (SFR)), and the CPU becomes deadlocked, or an unexpected signal is output from a pin, or the PC and PSW are written to an address in which RAM is not mounted, with the result that the return from the non-maskable interrupt service program to the main routine is not performed normally and an inadvertent program routine occurs. Therefore, the program following RESET release must be as shown below.

```
CSEG AT 0
DW  STRT
CSEG BASE
STRT:
LOCATION 0FH; or LOCATION 0
MOVG SP, #imm24
```

23.7 Maskable Interrupt Acknowledgment Operation

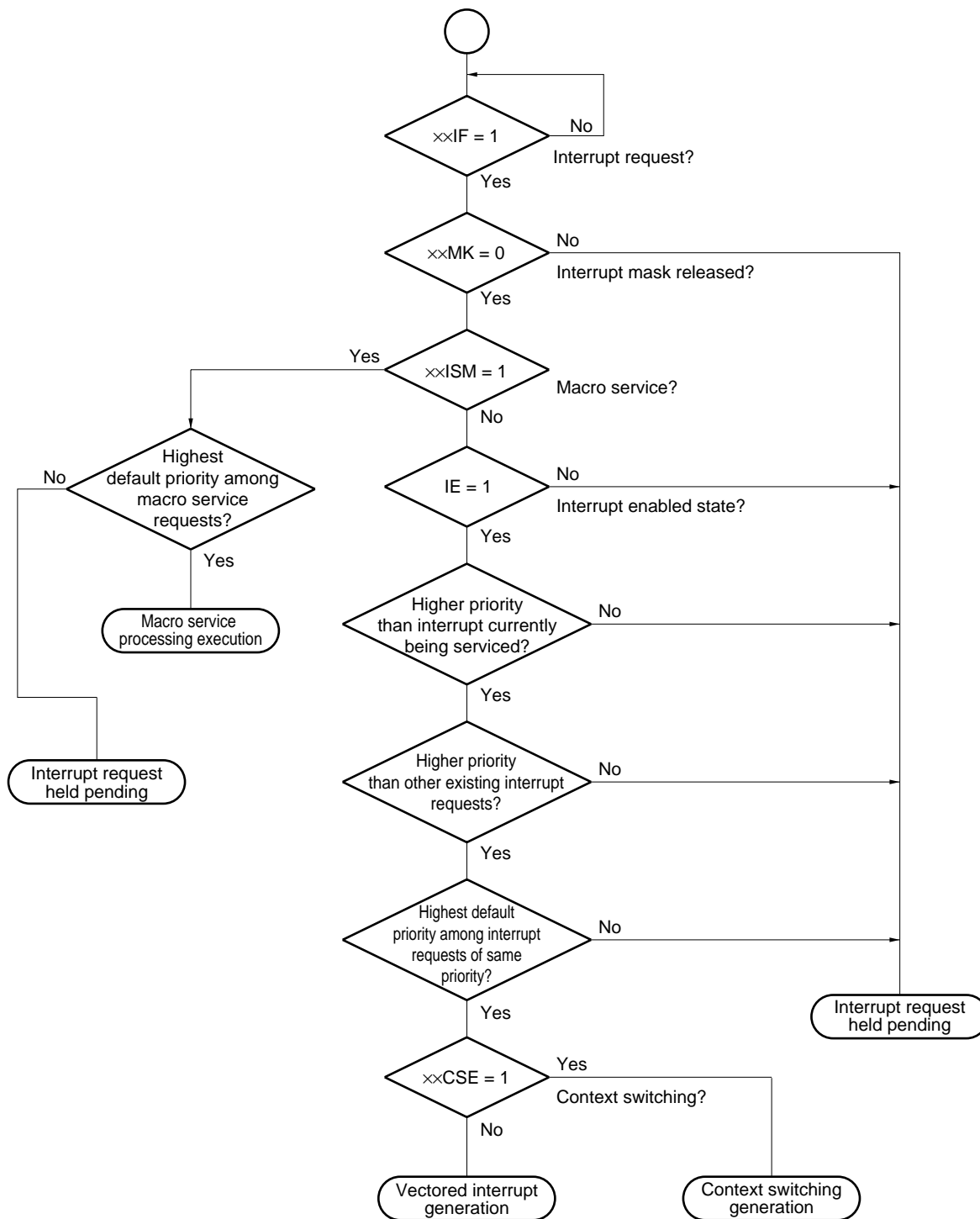
A maskable interrupt can be acknowledged when the interrupt request flag is set (to 1) and the mask flag for that interrupt is cleared (to 0). When servicing is performed by macro service, the interrupt is acknowledged and serviced by macro service immediately. In the case of vectored interruption and context switching, an interrupt is acknowledged in the interrupt enabled state (when the IE flag is set (to 1)) if the priority of that interrupt is one for which acknowledgment is permitted.

If maskable interrupt requests are generated simultaneously, the interrupt for which the highest priority is specified by the priority specification flag is acknowledged. If the interrupts have the same priority specified, they are acknowledged in accordance with their default priorities.

A pending interrupt is acknowledged when a state in which it can be acknowledged is established.

The interrupt acknowledgment algorithm is shown in Figure 23-10.

Figure 23-10. Interrupt Acknowledgment Processing Algorithm



23.7.1 Vectored interrupt

When a vectored interrupt maskable interrupt request is acknowledged, the program status word (PSW) and program counter (PC) are saved in that order to the stack, the IE flag is cleared (to 0) (the interrupt disabled state is set), and the in-service priority register (ISPR) bit corresponding to the priority of the acknowledged interrupt is set (to 1). Also, data in the vector table predetermined for each interrupt request is loaded into the PC, and a branch is performed. The return from a vectored interrupt is performed by means of the RETI instruction.

Caution When a maskable interrupt is acknowledged by vectored interrupt, the RETI instruction must be used to return from the interrupt. Subsequent interrupt acknowledgment will not be performed normally if a different instruction is used.

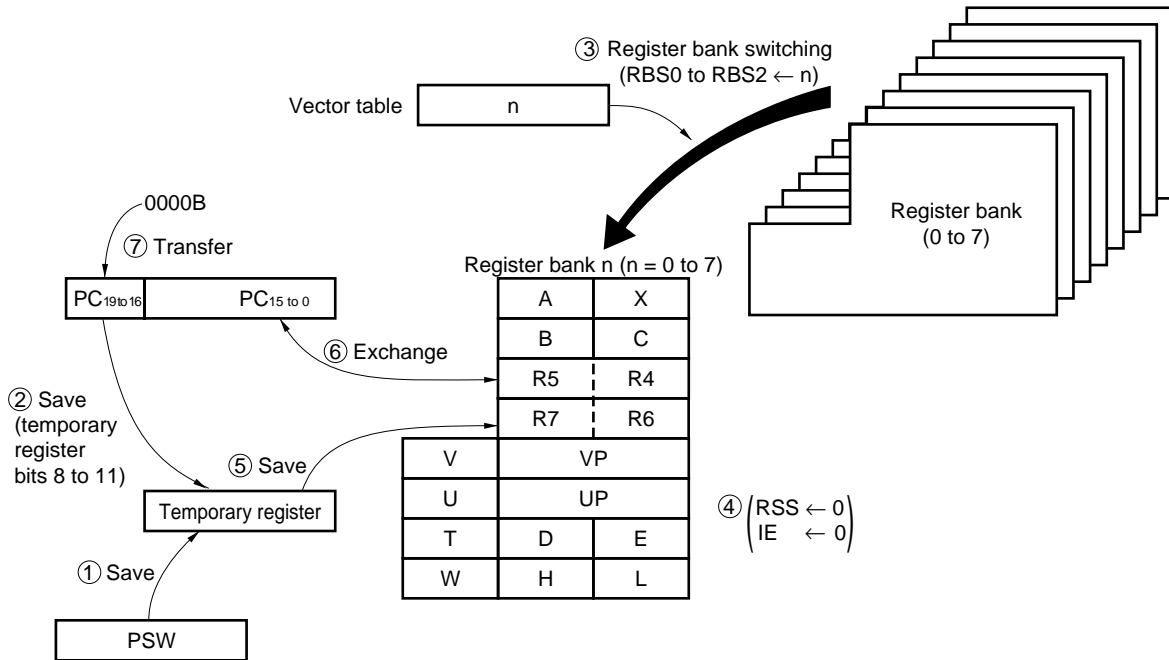
23.7.2 Context switching

Initiation of the context switching function is enabled by setting (to 1) the context switching enable flag of the interrupt control register.

When an interrupt request for which the context switching function is enabled is acknowledged, the register bank specified by 3 bits of the lower address (even address) of the corresponding vector table address is selected.

The vector address stored beforehand in the selected register bank is transferred to the program counter (PC), and at the same time the contents of the PC and program status word (PSW) up to that time are saved in the register bank and a branch is made to the interrupt service program.

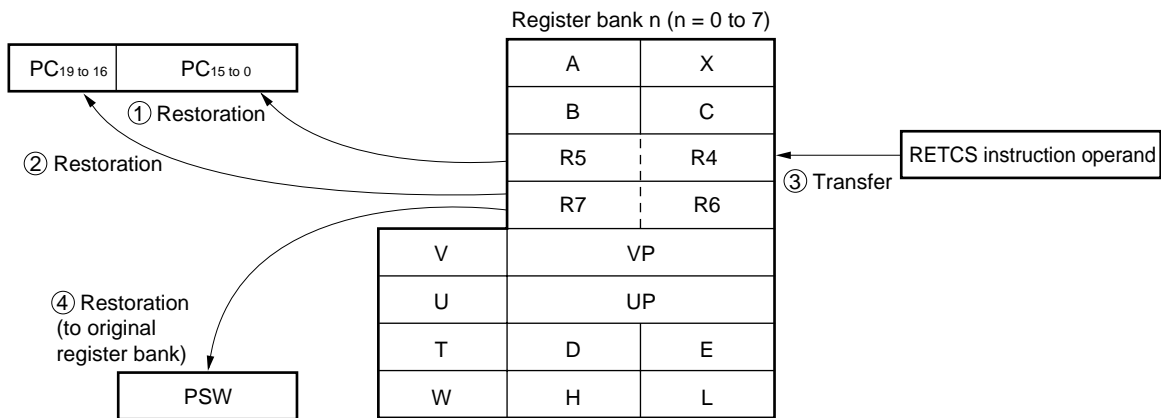
Figure 23-11. Context Switching Operation by Generation of an Interrupt Request



The RETCS instruction is used to return from an interrupt that uses the context switching function. The RETCS instruction must specify the start address of the interrupt service program to be executed when that interrupt is acknowledged next. This interrupt service program start address must be in the base area.

Caution The RETCS instruction must be used to return from an interrupt serviced by context switching. Subsequent interrupt acknowledgment will not be performed normally if a different instruction is used.

Figure 23-12. Return from Interrupt that Uses Context Switching by Means of RETCS Instruction



23.7.3 Maskable interrupt priority levels

The μ PD784938 performs multiple interrupt servicing in which an interrupt is acknowledged during servicing of another interrupt. Multiple interrupts can be controlled by priority levels.

There are two kinds of priority control, control by default priority and programmable priority control in accordance with the setting of the priority specification flag. In priority control by means of default priority, interrupt service is performed in accordance with the priority preassigned to each interrupt request (default priority) (see **Table 23-2**). In programmable priority control, interrupt requests are divided into four levels according to the setting of the priority specification flag. Interrupt requests for which multiple interruption is permitted are shown in Table 23-5.

Since the IE flag is cleared (to 0) automatically when an interrupt is acknowledged, when multiple interruption is used, the IE flag should be set (to 1) to enable interrupts by executing an EI instruction in the interrupt service program, etc.

Table 23-5. Multiple Interrupt Servicing

Priority of Interrupt Currently Being Acknowledged	ISPR Value	IE Flag in PSW	PRSL Flag in IMC	Acknowledgeable Maskable Interrupts
No interrupt being acknowledged	00000000	0	×	• All macro service only
		1	×	• All maskable interrupts
3	00001000	0	×	• All macro service only
		1	0	• All maskable interrupts
		1	1	• All macro service • Maskable interrupts specified as priority 0/1/2
2	0000×100	0	×	• All macro service only
		1	×	• All macro service • Maskable interrupts specified as priority 0/1
1	0000××10	0	×	• All macro service only
		1	×	• All macro service • Maskable interrupts specified as priority 0
0	0000×××1	×	×	• All macro service only
Non-maskable interrupts	1000×××× 0100×××× 1100××××	×	×	• All macro service only

Figure 23-13. Examples of Servicing when Another Interrupt Request is Generated During Interrupt Service (1/3)

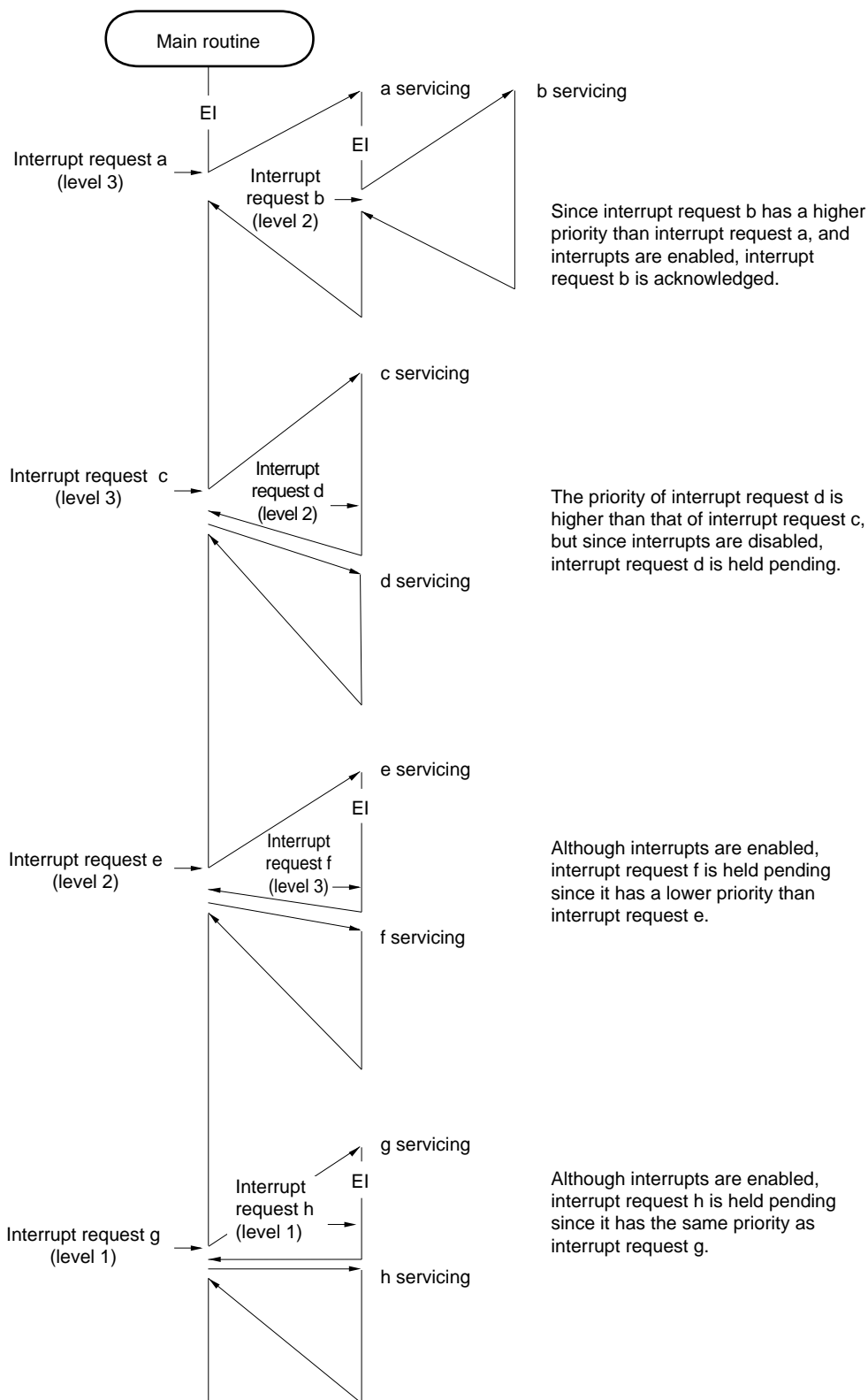


Figure 23-13. Examples of Servicing when Another Interrupt Request is Generated During Interrupt Service (2/3)

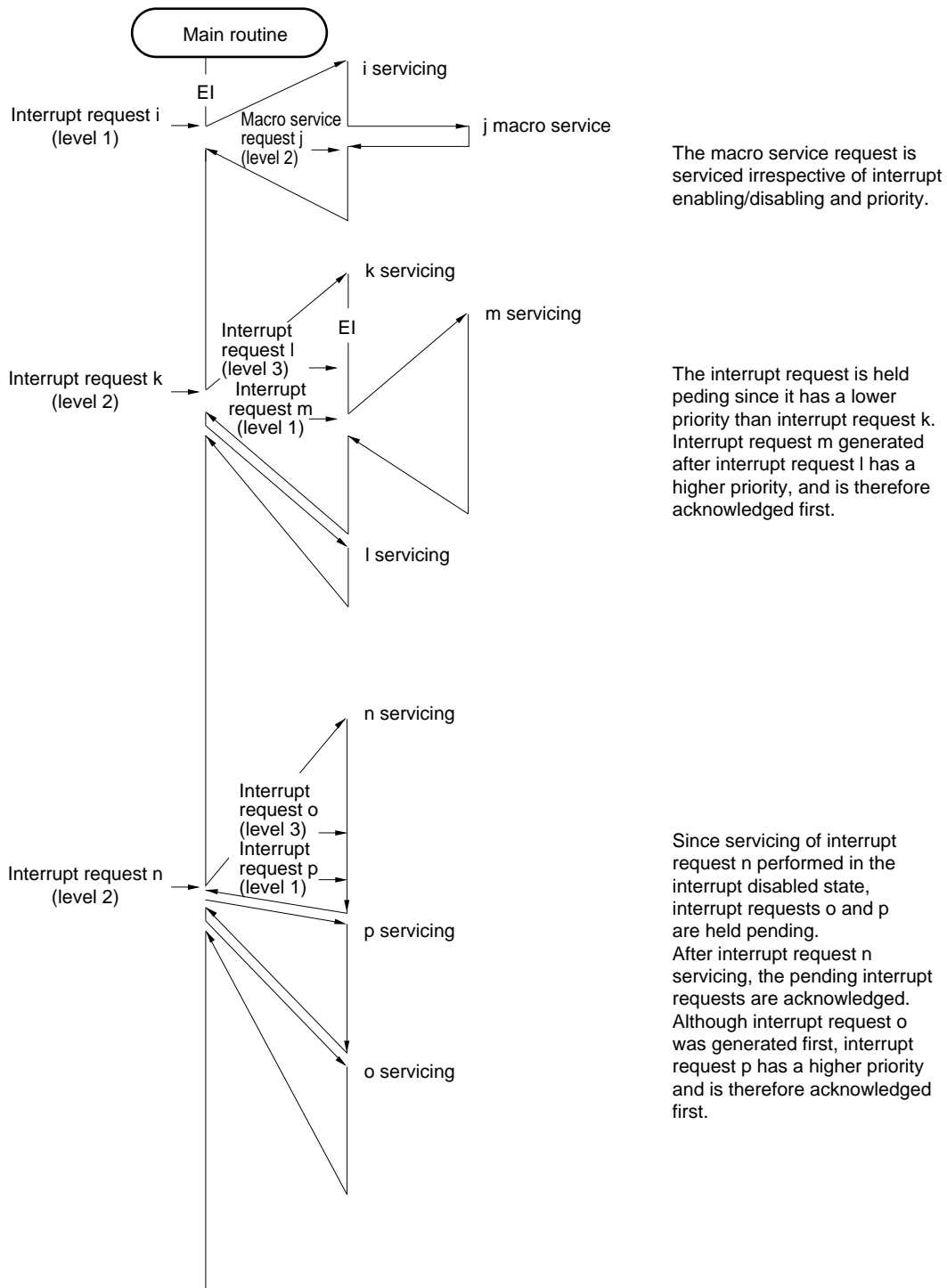
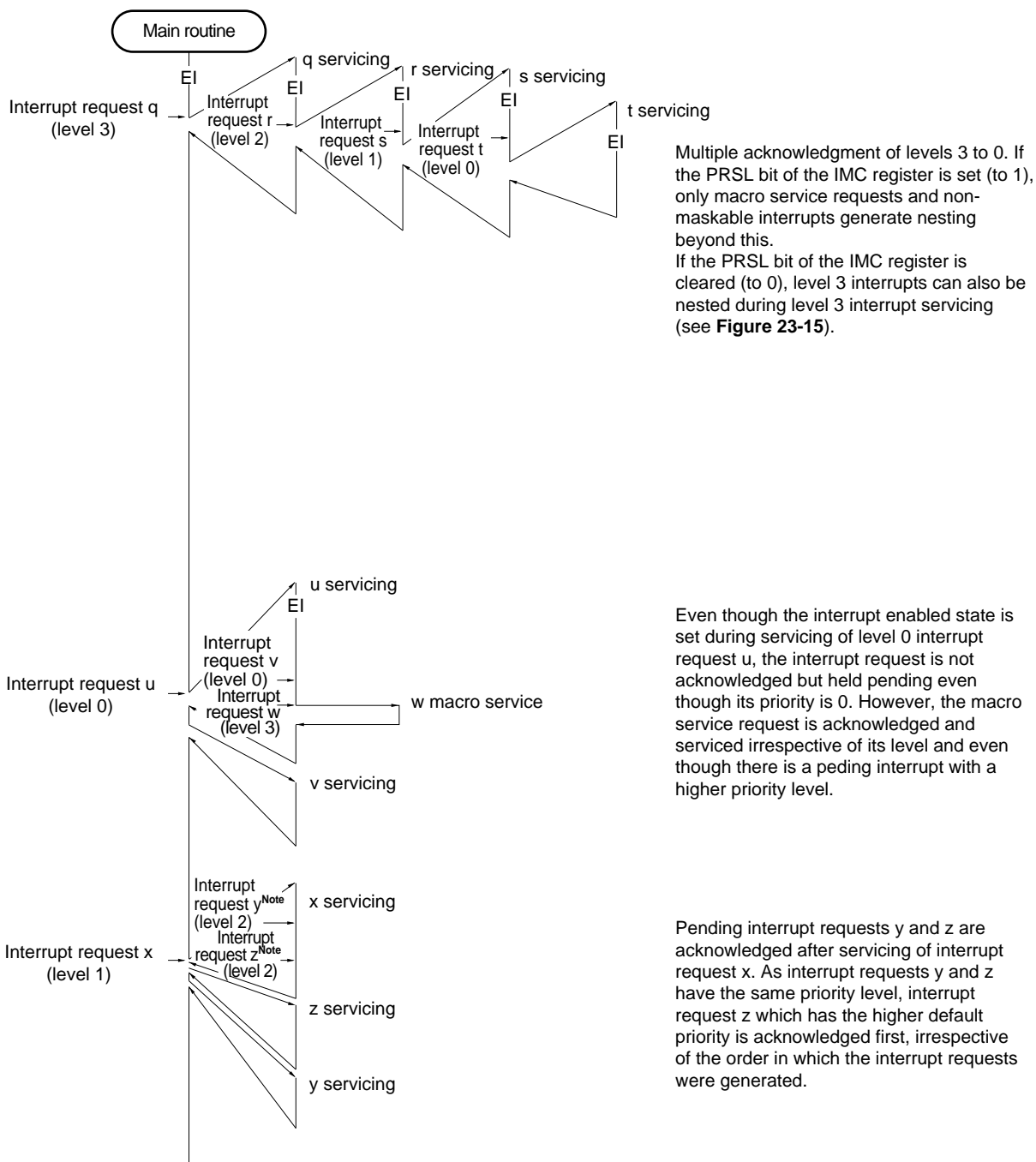


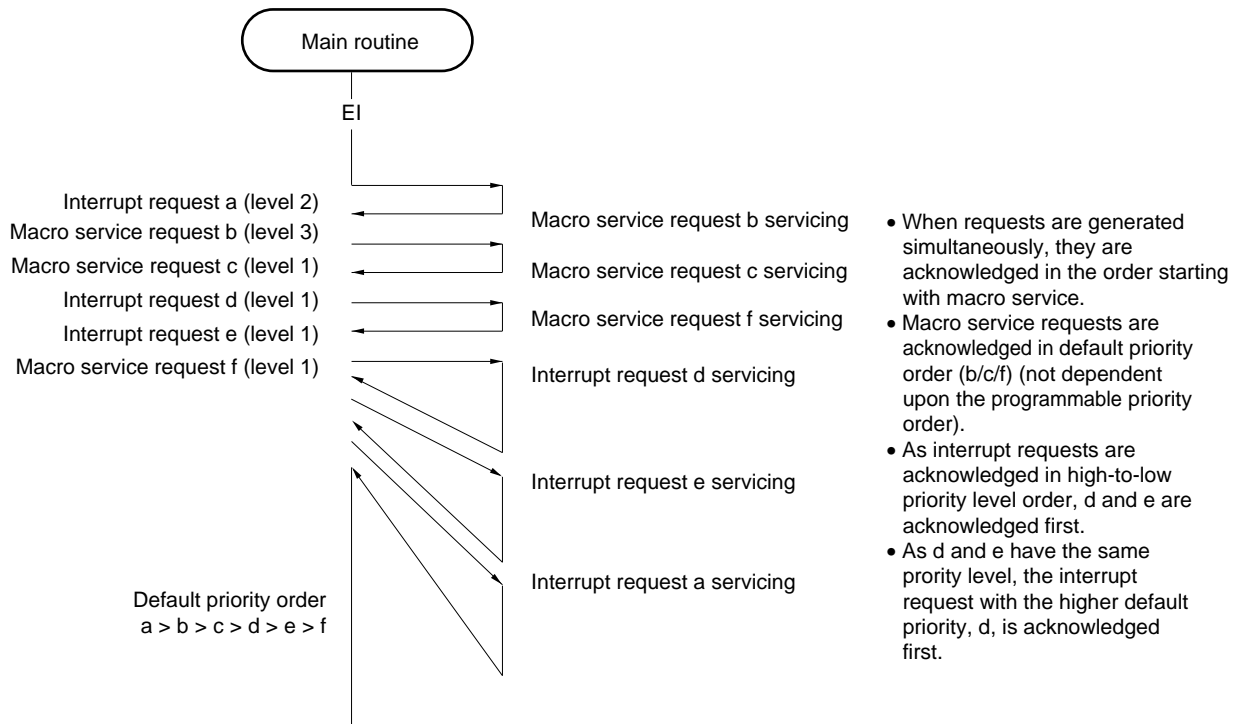
Figure 23-13. Examples of Servicing when Another Interrupt Request is Generated During Interrupt Service (3/3)



- Notes**
1. Low default priority
 2. High default priority

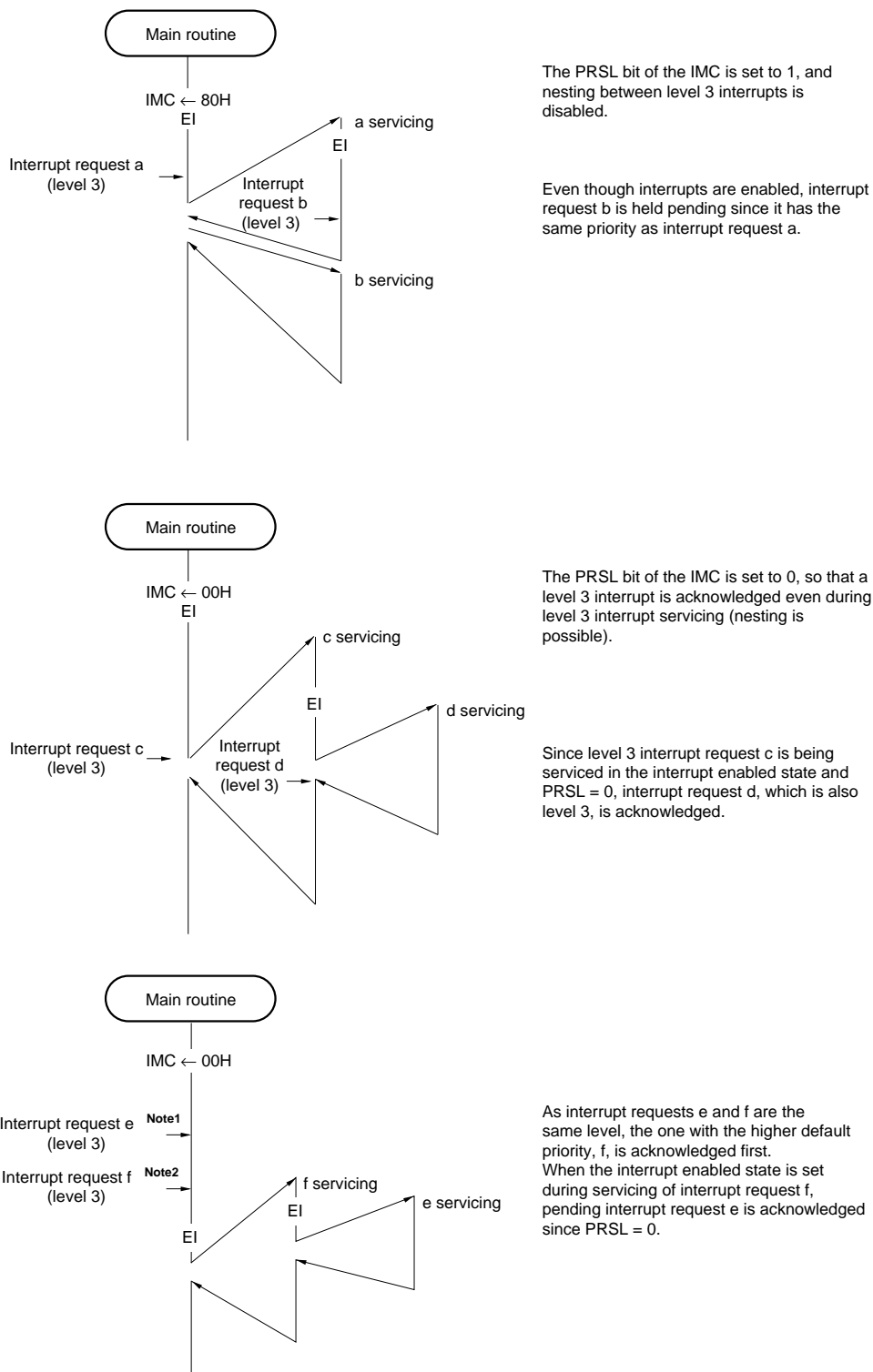
- Remarks**
1. “a” to “z” in the figure are arbitrary names used to differentiate between the interrupt requests and macro service requests.
 2. High/low default priorities in the figure indicate the relative priority levels of the two interrupt requests.

Figure 23-14. Examples of Servicing of Simultaneously Generated Interrupts



Remark “a” to “f” in the figure are arbitrary names used to differentiate between the interrupt requests and macro service requests.

Figure 23-15. Differences in Level 3 Interrupt Acknowledgment According to IMC Register Setting



- Notes 1.** Low default priority
2. High default priority

- Remarks 1.** "a" to "f" in the figure are arbitrary names used to differentiate between the interrupt requests and macro service requests.
2. High or low in default priorities in the figure indicate the relative priority levels of the two interrupt requests.

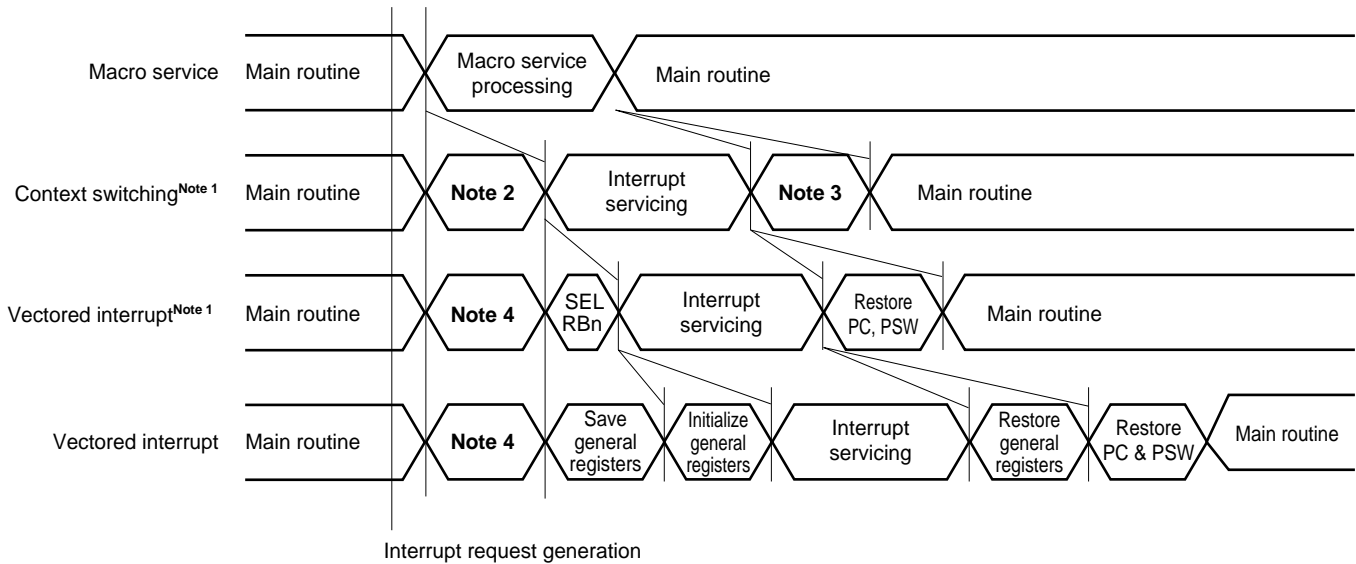
23.8 Macro Service Function

23.8.1 Outline of macro service function

Macro service is one of the method of interrupts servicing. In the normal interrupt, the start address in the interrupt service program is loaded into the program counter (PC) by saving the PC or program status word (PSW), in the macro service, however, another processing (mainly data transfers) is performed instead of these processing. This processing enables a quick response to interrupt requests. Moreover, processing time can be reduced because the higher transfer speed can be obtained.

In addition, there is another advantage in simplifying the vectored interrupt program since the vectored interrupt is generated after the specified number of processing.

Figure 23-16. Differences between Vectored Interrupt and Macro Service Processing



- Notes 1.** When register bank switching is used, and an initial value has been set in the register beforehand
- 2.** Register bank switching by context switching, saving of PC and PSW
- 3.** Register bank, PC and PSW restoration by context switching
- 4.** PC and PSW saved to the stack, vector address loaded into PC

23.8.2 Types of macro service

Macro service can be used with the 23 kinds of interrupt shown in Table 23-6. There are four kinds of operation, which can be used to suit the application.

Table 23-6. Interrupts for which Macro Service can be Used

Default Priority	Interrupt Request Generation Source	Generating Unit	Macro Service Control Word Address
0	INTP0 (pin input edge detection)	Edge detection	0FE06H
1	INTP1 (pin input edge detection)		0FE08H
2	INTP2 (pin input edge detection)		0FE0AH
3	INTP3 (pin input edge detection)		0FE0CH
4	INTC00 (TM0-CR00 match signal generation)	Timer/event counter 0	0FE0EH
5	INTC01 (TM0-CR01 match signal generation)		0FE10H
6	INTC10 (TM1-CR10 or TM1W-CR10W match signal generation)	Timer/event counter 1	0FE12H
7	INTC11 (TM1-CR11 or TM1W-CR11W match signal generation)		0FE14H
8	INTC20 (TM2-CR20 or TM2W-CR20W match signal generation)	Timer/event counter 2	0FE16H
9	INTC21 (TM2-CR21 or TM2W-CR21W match signal generation)		0FE18H
10	INTC30 (TM3-CR30 or TM3W-CR30W match signal generation)	Timer 3	0FE1AH
11	INTP4 (pin input edge detection)	Edge detection	0FE1CH
12	INTP5 (pin input edge detection)		0FE1EH
13	INTAD (A/D conversion end)	A/D converter	0FE20H
14	INTSR (asynchronous serial interface reception end)	Asynchronous serial interface/ clocked serial interface 1	0FE24H
	INTCSI1 (clocked serial interface transfer end)		
15	INTST (asynchronous serial interface transmission end)		0FE26H
16	INTCSI (clocked serial interface transfer end)	Clocked serial interface	0FE28H
17	INTSR2 (asynchronous serial interface 2 reception end)	Asynchronous serial interface 2/ clocked serial interface 2	0FE2CH
	INTCSI2 (clocked serial interface 2 transfer end)		
18	INTST2 (asynchronous serial interface 2 transmission end)		0FE2EH
19	INTIE1 (IEBus data access request)	IEBus controller	0FE32H
20	INTIE2 (IEBus communication error and communication end)		0FE34H
21	INTW (watch timer output)	Watch timer	0FE36H
22	INTCSI3 (clocked serial interface 3 transfer end)	Clocked serial interface 3	0FE38H

- Remarks**
1. The default priority is a fixed number. This indicates the order of priority when macro service requests are generated simultaneously,
 2. The INTSR and INTCSI1 interrupts are generated by the same hardware (they cannot both be used simultaneously). Therefore, although the same hardware is used for the interrupts, two names are provided, for use in each of the two modes. The same applies to INTSR2 and INTCSI2.

There are four kinds of macro service, as shown below.

(1) Type A

One byte or one word of data is transferred between a special function register (SFR) and memory each time an interrupt request is generated, and a vectored interrupt request is generated when the specified number of transfers have been performed.

Memory that can be used in the transfers is limited to internal RAM addresses 0FE00H to 0FEFFH when the LOCATION 0 instruction is executed, and addresses 0FFE00H to 0FFEFFH when the LOCATION 0FH instruction is executed. The specification method is simple and is suitable for low-volume, high-speed data transfers.

(2) Type B

As with type A, one byte or one word of data is transferred between a special function register (SFR) and memory each time an interrupt request is generated, and a vectored interrupt request is generated when the specified number of transfers have been performed.

The SFR and memory to be used in the transfers is specified by the macro service channel (the entire 1-Mbyte memory space can be used).

This is a general version of type A, suitable for large volumes of transfer data.

(3) Type C

Data is transferred from memory to two special function registers (SFR) each time an interrupt request is generated, and a vectored interrupt request is generated when the specified number of transfers have been performed.

With type C macro service, not only are data transfers performed to two locations in response to a single interrupt request, but it is also possible to add output data ring control and a function that automatically adds data to a compare register. The entire 1-Mbyte memory space can be used.

Type C is mainly used with the INTC10 and INTC11 interrupts, and is used for stepping motor control, etc., by macro service, with P0L or P0H and CR10, CR10W, CR11, and CR11W used as the SFRs to which data is transferred.

(4) Counter mode

This mode is to decrement the macro service counter (MSC) when an interrupt occurs and is used to count the division operation of an interrupt and interrupt generation circuit.

When MSC is 0, a vector interrupt can be generated.

To restart the macro service, MSC must be set again.

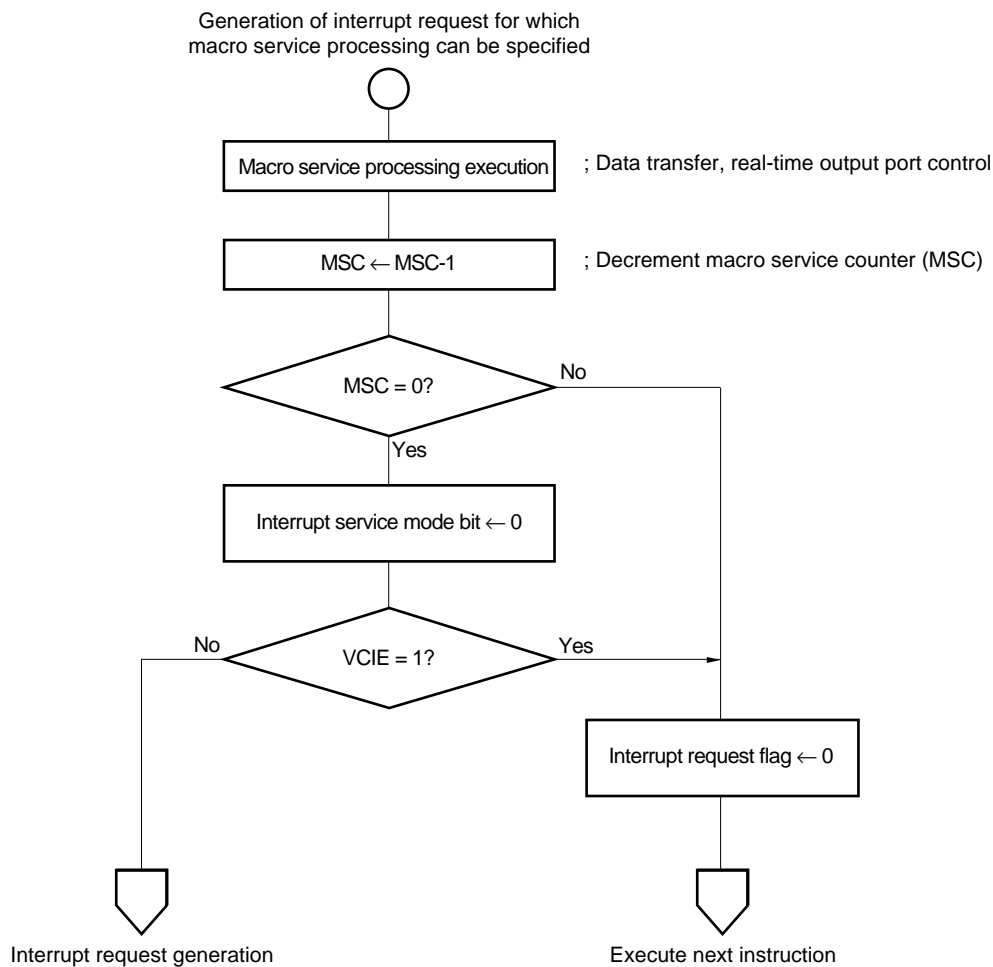
MSC is fixed to 16 bits and cannot be used as an 8-bit counter.

23.8.3 Basic macro service operation

Interrupt requests for which the macro service processing generated by the algorithm shown in Figure 23-10 can be specified are basically serviced in the sequence shown in Figure 23-17.

Interrupt requests for which macro service processing can be specified are not affected by the status of the IE flag, but are disabled by setting (to 1) an interrupt mask flag in the interrupt mask register (MK0). Macro service processing can be executed in the interrupt disabled state and during execution of an interrupt service program.

Figure 23-17. Macro Service Processing Sequence



The macro service type and transfer direction are determined by the value set in the macro service control word mode register. Transfer processing is then performed using the macro service channel specified by the channel pointer according to the macro service type.

The macro service channel is memory which contains the macro service counter which records the number of transfers, the transfer destination and transfer source pointers, and data buffers, and can be located at any address in the range FE00H to FEFFH when the LOCATION 0 instruction is executed, or FFE00H to FFEFFH when the LOCATION 0FH instruction is executed.

23.8.4 Operation at end of macro service

In macro service, processing is performed the number of times specified during execution of another program. Macro service ends when the processing has been performed the specified number of times (when the macro service counter (MSC) reaches 0). Either of two operations may be performed at this point, as specified by the VCIE bit (bit 7) of the macro service mode register for each macro service.

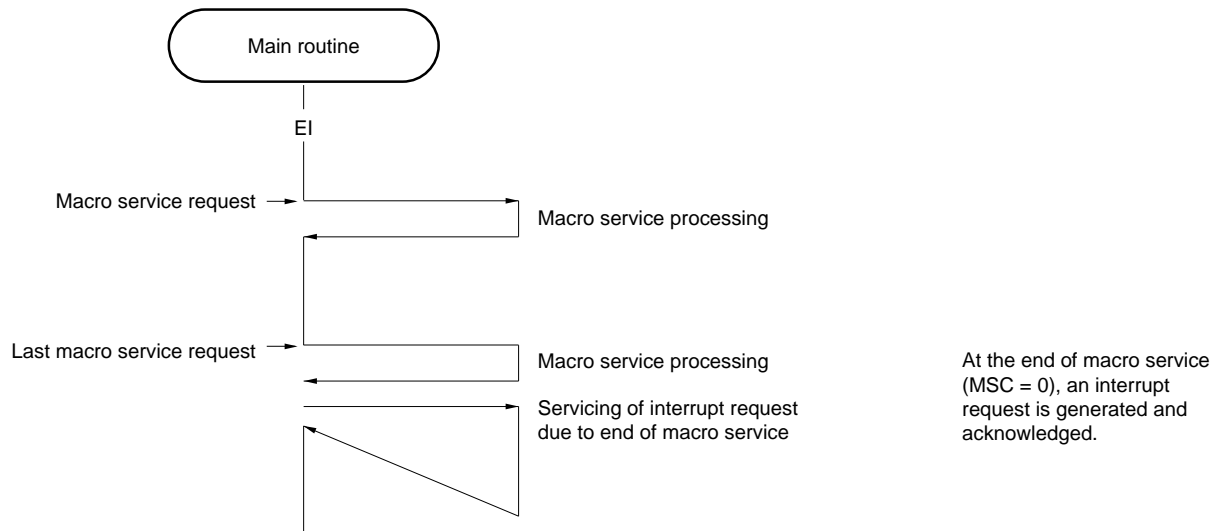
(1) When VCIE bit is 0

In this mode, an interrupt is generated as soon as the macro service ends. Figure 23-18 shows an example of macro service and interrupt acknowledgment operations when the VCIE bit is 0.

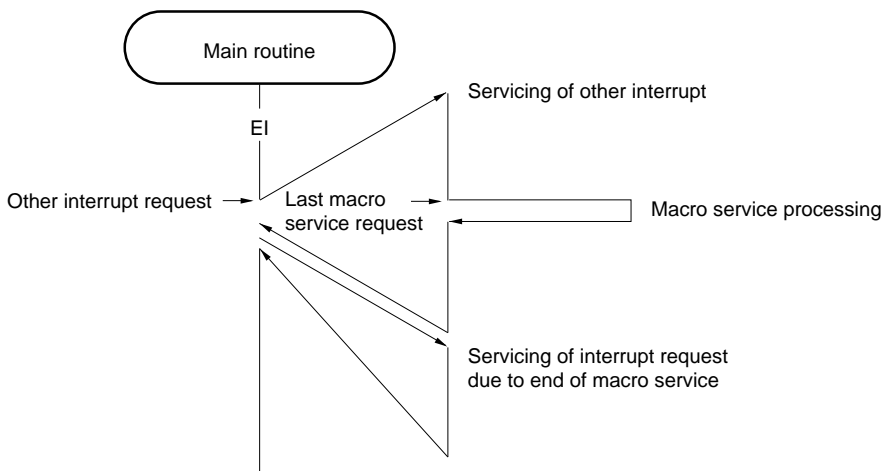
This mode is used when a series of operations end with the last macro service processing performed, for instance. It is mainly used in the following cases:

- Asynchronous serial interface receive data buffering (INTSR/INTSR2)
- A/D conversion result fetch (INTAD)
- Compare register update as the result of a match between a timer register and the compare register (INTC00/INTC01/INTC10/INTC11/INTC20/INTC21/INTC30)
- Timer/counter capture register read due to edge input to the INTPn pin (INTP0/INTP1/INTP2/INTP3)

Figure 23-18. Operation at End of Macro Service when VCIE = 0



At the end of macro service (MSC = 0), an interrupt request is generated and acknowledged.



If the last macro service is performed when the interrupt due to the end of macro service cannot be acknowledged while other interrupt servicing is being executed, etc., that interrupt is held pending until it can be acknowledged.

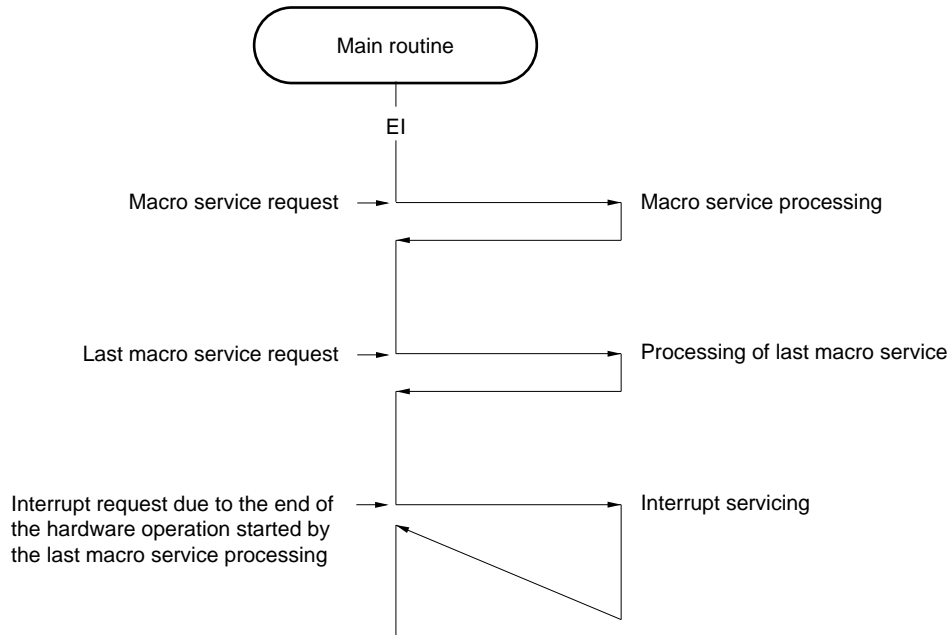
(2) When VCIE bit is 1

In this mode, an interrupt is not generated after macro service ends. Figure 23-19 shows an example of macro service and interrupt acknowledgment operations when the VCIE bit is 1.

This mode is used when the final operation is to be started by the last macro service processing performed, for instance. It is mainly used in the following cases:

- Clocked serial interface receive data transfers (INTCSI/INTCSI1/INTCSI2)
- Asynchronous serial interface data transfers (INTST/INTST2)
- To stop a stepping motor in the case (INTC10/INTC11) of stepping motor control by means of macro service type C using the real-time output port and timer/counter.

Figure 23-19. Operation at End of Macro Service when VCIE = 1



23.8.5 Macro service control registers

(1) Macro service control word

The μ PD784938's macro service function is controlled by the macro service control mode register and macro service channel pointer. The macro service processing mode is set by means of the macro service mode register, and the macro service channel address is indicated by the macro service channel pointer.

The macro service mode register and macro service channel pointer are mapped onto the part of the internal RAM shown in Figure 23-20 for each macro service as the macro service control word.

When macro service processing is performed, the macro service mode register and channel pointer values corresponding to the interrupt requests for which macro service processing can be specified must be set beforehand.

Figure 23-20. Macro Service Control Word Format

Reserved word	Address		Source
CSICHP3	0FE39H	Channel pointer	INTCSI3
CSIMMD3	0FE38H	Mode register	
WCHP	0FE37H	Channel pointer	INTW
WMMD	0FE36H	Mode register	
IECHP2	0FE35H	Channel pointer	INTIE2
IEMMD2	0FE34H	Mode register	
IECHP1	0FE33H	Channel pointer	INTIE1
IEMMD1	0FE32H	Mode register	
STCHP2	0FE2FH	Channel pointer	INTST2
STMMD2	0FE2EH	Mode register	
SRCHP2/CSICHP2	0FE2DH	Channel pointer	INTSR2/INTCSI2
SRMMD2/CSIMMD2	0FE2CH	Mode register	
CSICHP	0FE29H	Channel pointer	INTCSI
CSIMMD	0FE28H	Mode register	
STCHP	0FE27H	Channel pointer	INTST
STMMD	0FE26H	Mode register	
SRCHP/CSICHP1	0FE25H	Channel pointer	INTSR/INTCSI1
SRMMD/CSIMMD1	0FE24H	Mode register	
ADCHP	0FE21H	Channel pointer	INTAD
ADMMD	0FE20H	Mode register	
PCHP5	0FE1FH	Channel pointer	INTP5
PMMD5	0FE1EH	Mode register	
PCHP4	0FE1DH	Channel pointer	INTP4
PMMD4	0FE1CH	Mode register	
CCHP30	0FE1BH	Channel pointer	INTC30
CMMD30	0FE1AH	Mode register	
CCHP21	0FE19H	Channel pointer	INTC21
CMMD21	0FE18H	Mode register	
CCHP20	0FE17H	Channel pointer	INTC20
CMMD20	0FE16H	Mode register	
CCHP11	0FE15H	Channel pointer	INTC11
CMMD11	0FE14H	Mode register	
CCHP10	0FE13H	Channel pointer	INTC10
CMMD10	0FE12H	Mode register	
CCHP01	0FE11H	Channel pointer	INTC01
CMMD01	0FE10H	Mode register	
CCHP00	0FE0FH	Channel pointer	INTC00
CMMD00	0FE0EH	Mode register	
PCHP3	0FE0DH	Channel pointer	INTP3
PMMD3	0FE0CH	Mode register	
PCHP2	0FE0BH	Channel pointer	INTP2
PMMD2	0FE0AH	Mode register	
PCHP1	0FE09H	Channel pointer	INTP1
PMMD1	0FE08H	Mode register	
PCHP0	0FE07H	Channel pointer	INTP0
PMMD0	0FE06H	Mode register	

(2) Macro service mode register

The macro service mode register is an 8-bit register that specifies the macro service operation. This register is written in internal RAM as part of the macro service control word (see **Figure 23-20**).

The format of the macro service mode register is shown in Figure 23-21.

Figure 23-21. Macro Service Mode Register Format (1/2)

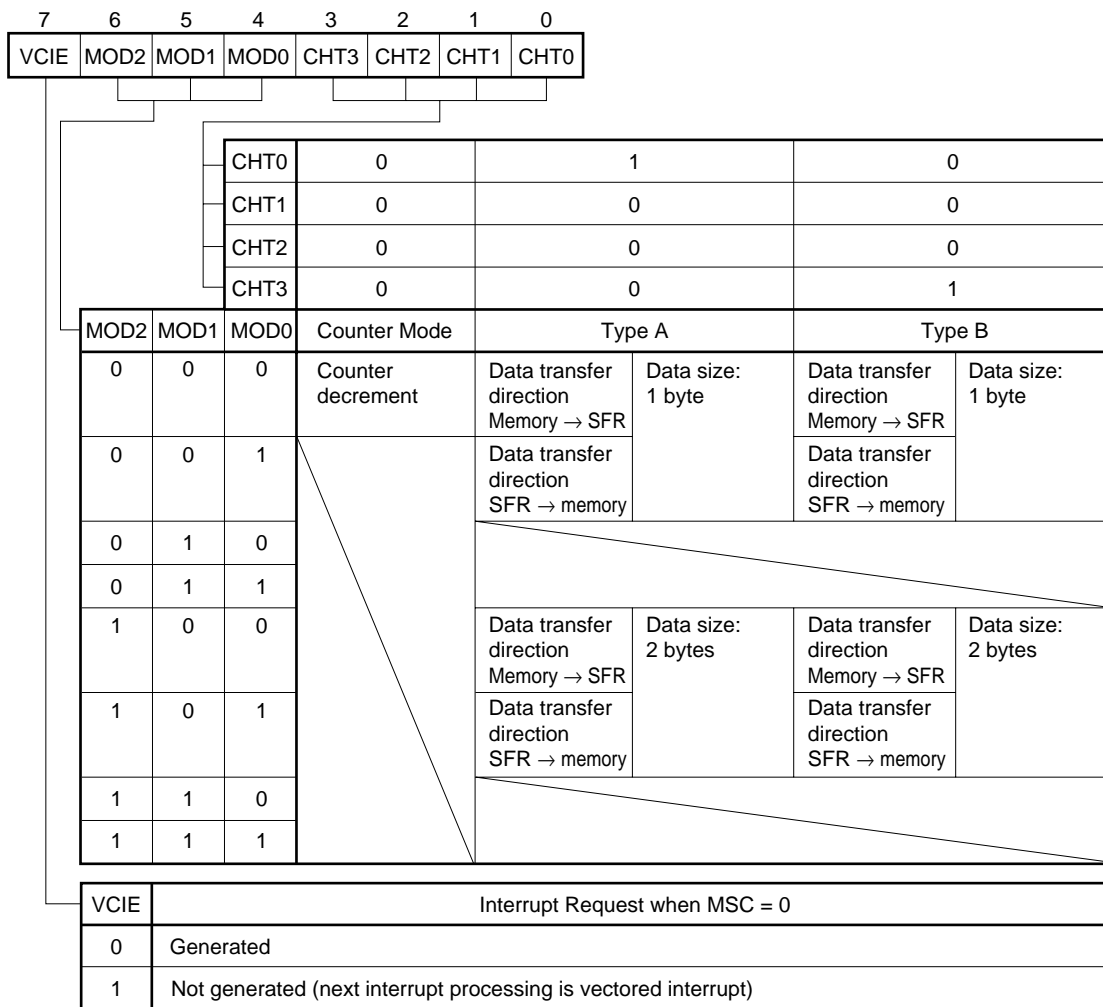
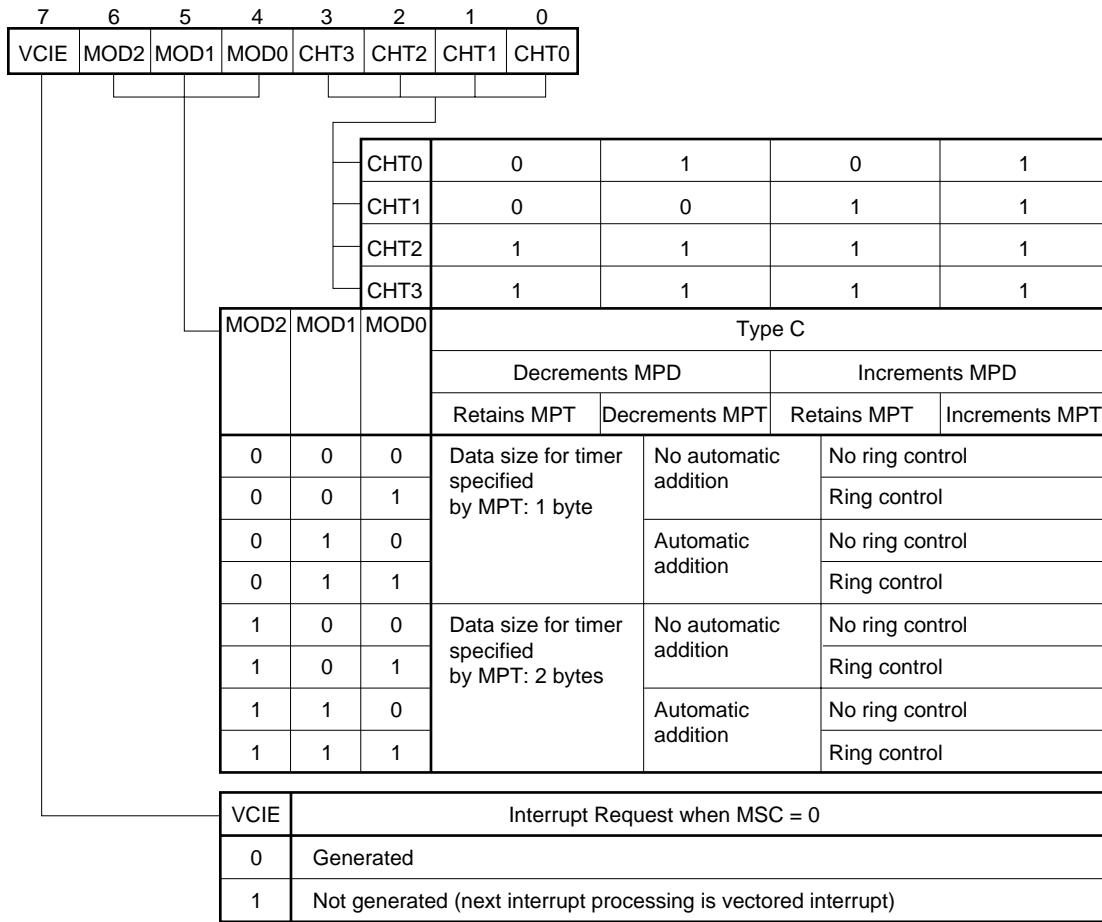


Figure 23-21. Macro Service Mode Register Format (2/2)



(3) Macro service channel pointer

The macro service channel pointer specifies the macro service channel address. The macro service channel can be located in the 256-byte space from FE00H to FEFFH when the LOCATION 0 instruction is executed, or FFE00H to FFEFFH when the LOCATION 0FH instruction is executed, and the high-order 16 bits of the address are fixed. Therefore, the low-order 8 bits of the data stored to the highest address of the macro service channel are set in the macro service channel pointer.

23.8.6 Macro service type A

(1) Operation

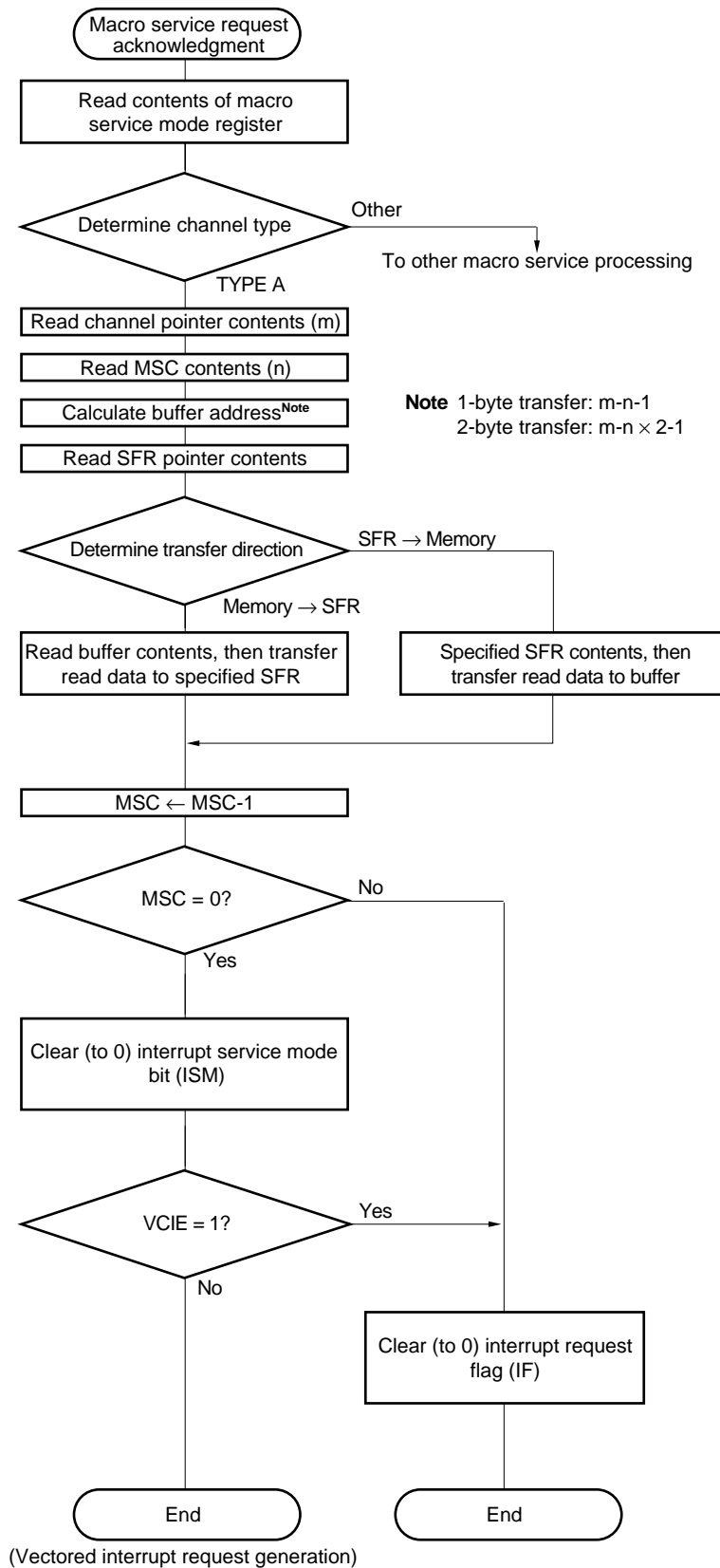
Data transfers are performed between buffer memory in the macro service channel and an SFR specified in the macro service channel.

With type A, the data transfer direction can be selected as memory-to-SFR or SFR-to-memory.

Data transfers are performed the number of times set beforehand in the macro service counter. One macro service processing transfers 8-bit or 16-bit data.

Type A macro service is useful when the amount of data to be transferred is small, as transfers can be performed at high speed.

Figure 23-22. Macro Service Data Transfer Processing Flow (Type A)



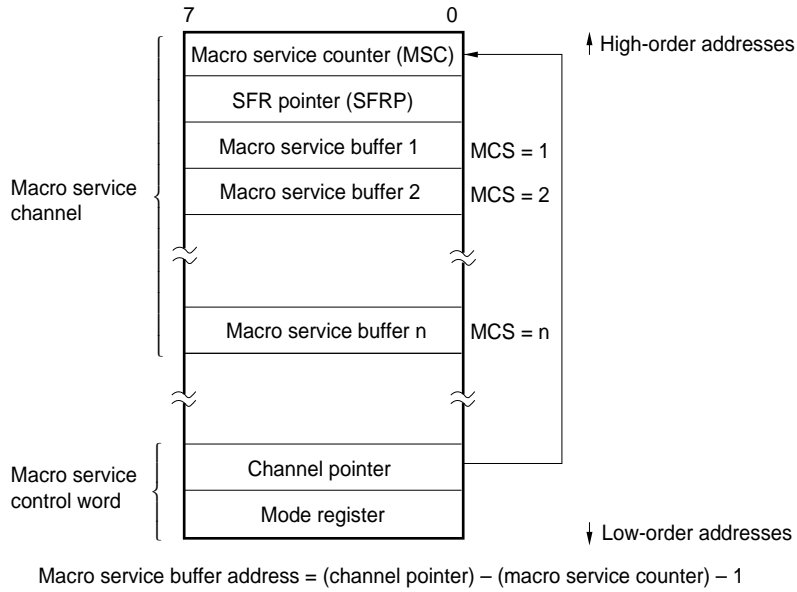
(2) Macro service channel configuration

The channel pointer and 8-bit macro service counter (MSC) indicate the buffer address in internal RAM (FE00H to FEFFH when the LOCATION 0 instruction is executed, or FFE00H to FFEFFH when the LOCATION 0FH instruction is executed) which is the transfer source or transfer destination (see **Figure 23-23**). In the channel pointer, the low-order 8 bits of the address are written to the macro service counter in the macro service channel.

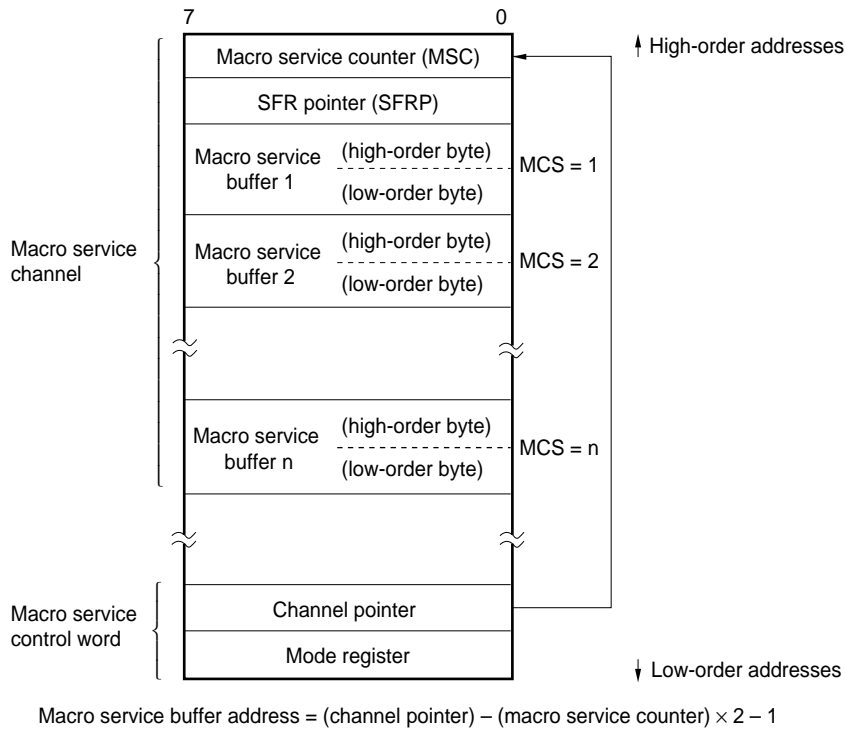
The SFR involved with the access is specified by the SFR pointer (SFRP). The low-order 8 bits of the SFR address are written to the SFRP.

Figure 23-23. Type A Macro Service Channel

(a) 1-byte transfers



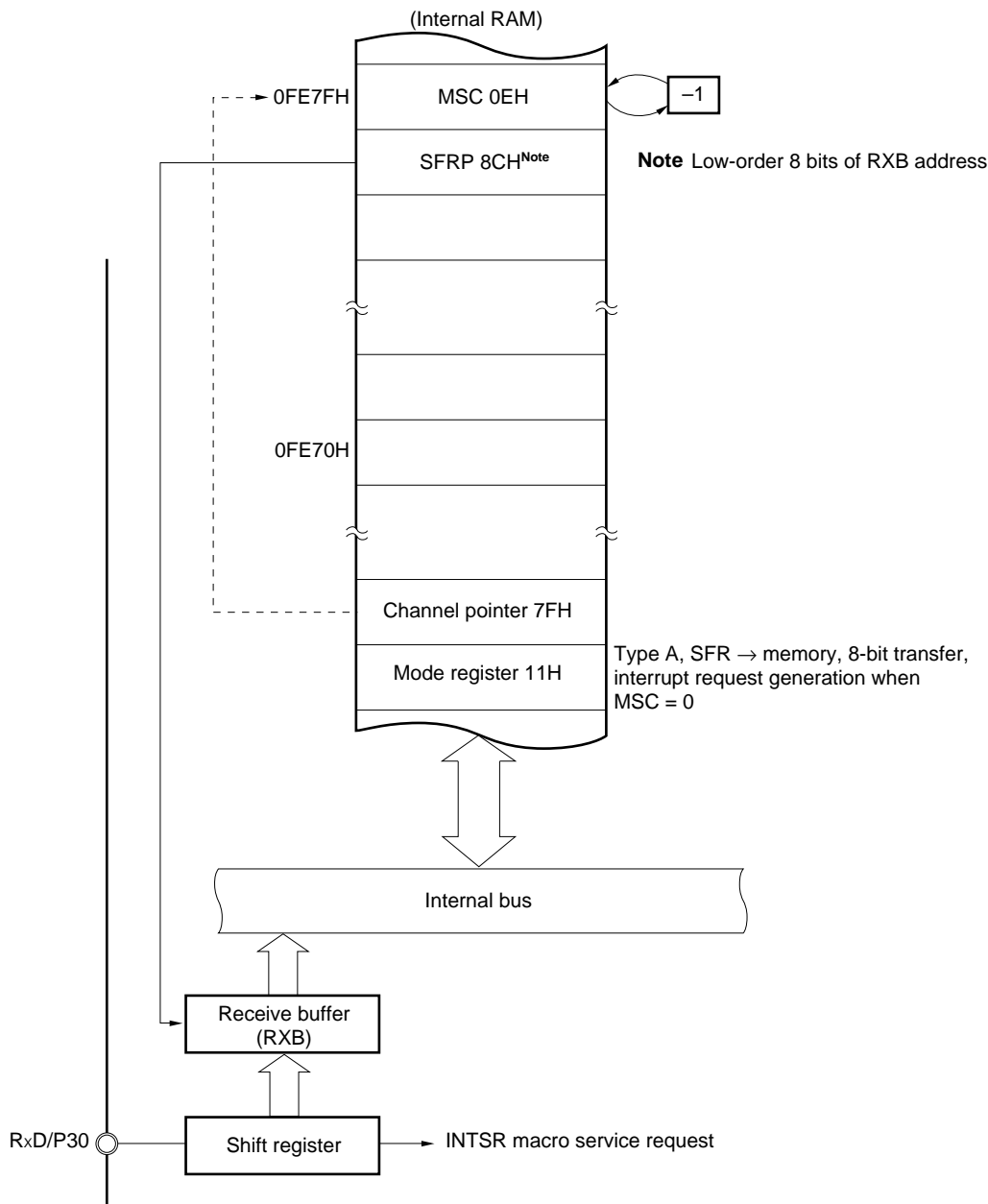
(b) 2-byte transfers



(3) Example of use of type A

An example is shown below in which data received via the asynchronous serial interface is transferred to a buffer area in on-chip RAM.

Figure 23-24. Asynchronous Serial Reception



Remark Addresses in the figure are the values when the LOCATION 0 instruction is executed. When the LOCATION 0FH instruction is executed, 0F000H should be added to the values in the figure.

23.8.7 Macro service type B

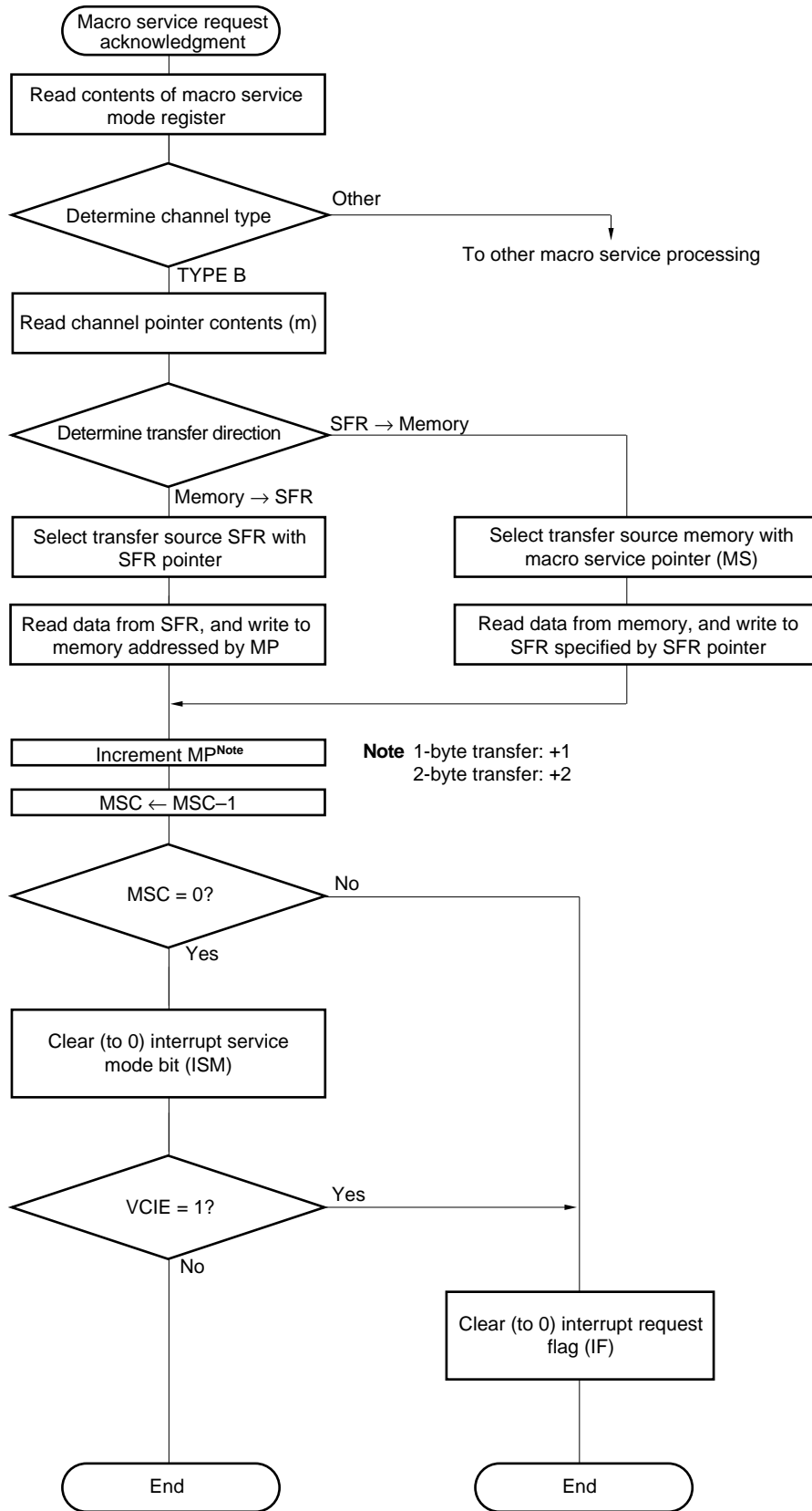
(1) Operation

Data transfers are performed between a data area in memory and an SFR specified by the macro service channel. With type B, the data transfer direction can be selected as memory-to-SFR or SFR-to-memory.

Data transfers are performed the number of times set beforehand in the macro service counter. One macro service processing transfers 8-bit or 16-bit data.

This type of macro service is macro service type A for general purposes and is ideal for processing a large amount of data because up to 64 Kbytes of data buffer area when 8-bit data is transferred or 1 Mbyte of data buffer area when 16-bit data is transferred can be set in any address space.

Figure 23-25. Macro Service Data Transfer Processing Flow (Type B)



(Vectored interrupt request generation)

(2) Macro service channel configuration

The macro service pointer (MP) indicates the data buffer area in the 1-Mbyte memory space that is the transfer destination or transfer source.

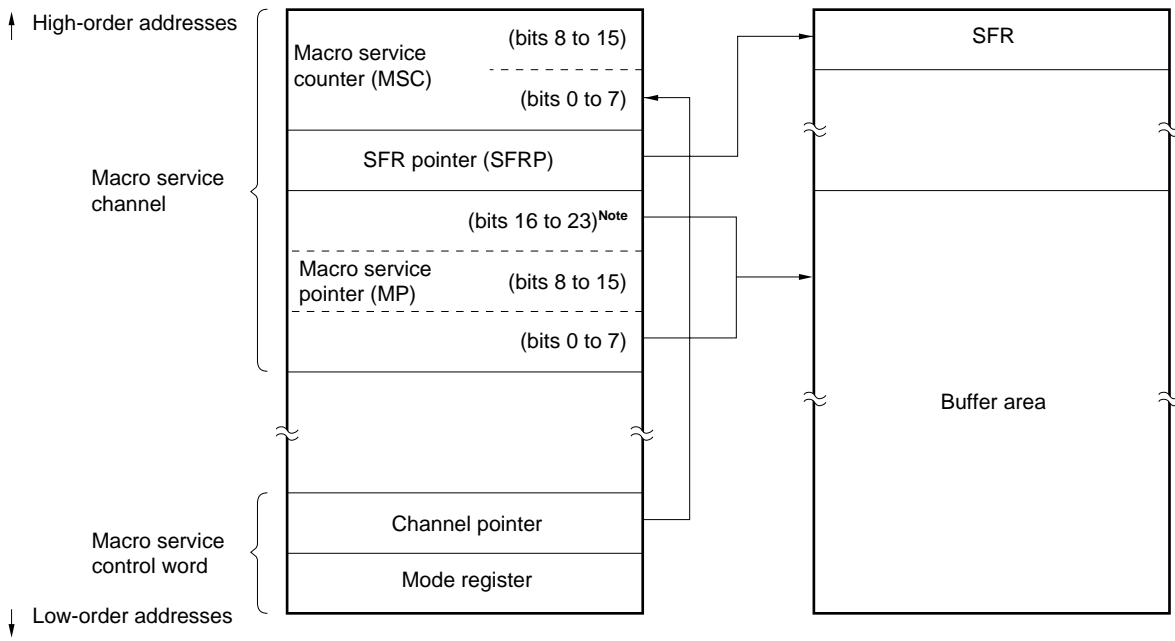
The low-order 8 bits of the SFR that is the transfer destination or transfer source is written to the SFR pointer (SFRP).

The macro service counter (MSC) is a 16-bit counter that specifies the number of data transfers.

The macro service channel that stores the MP, SFRP and MSC is located in internal RAM space addresses 0FE00H to 0FEFFH when the LOCATION 0 instruction is executed, or 0FFE00H to 0FFEFFH when the LOCATION 0FH instruction is executed.

The macro service channel is indicated by the channel pointer as shown in Figure 23-26. In the channel pointer, the low-order 8 bits of the address are written to the macro service counter in the macro service channel.

Figure 23-26. Type B Macro Service Channel



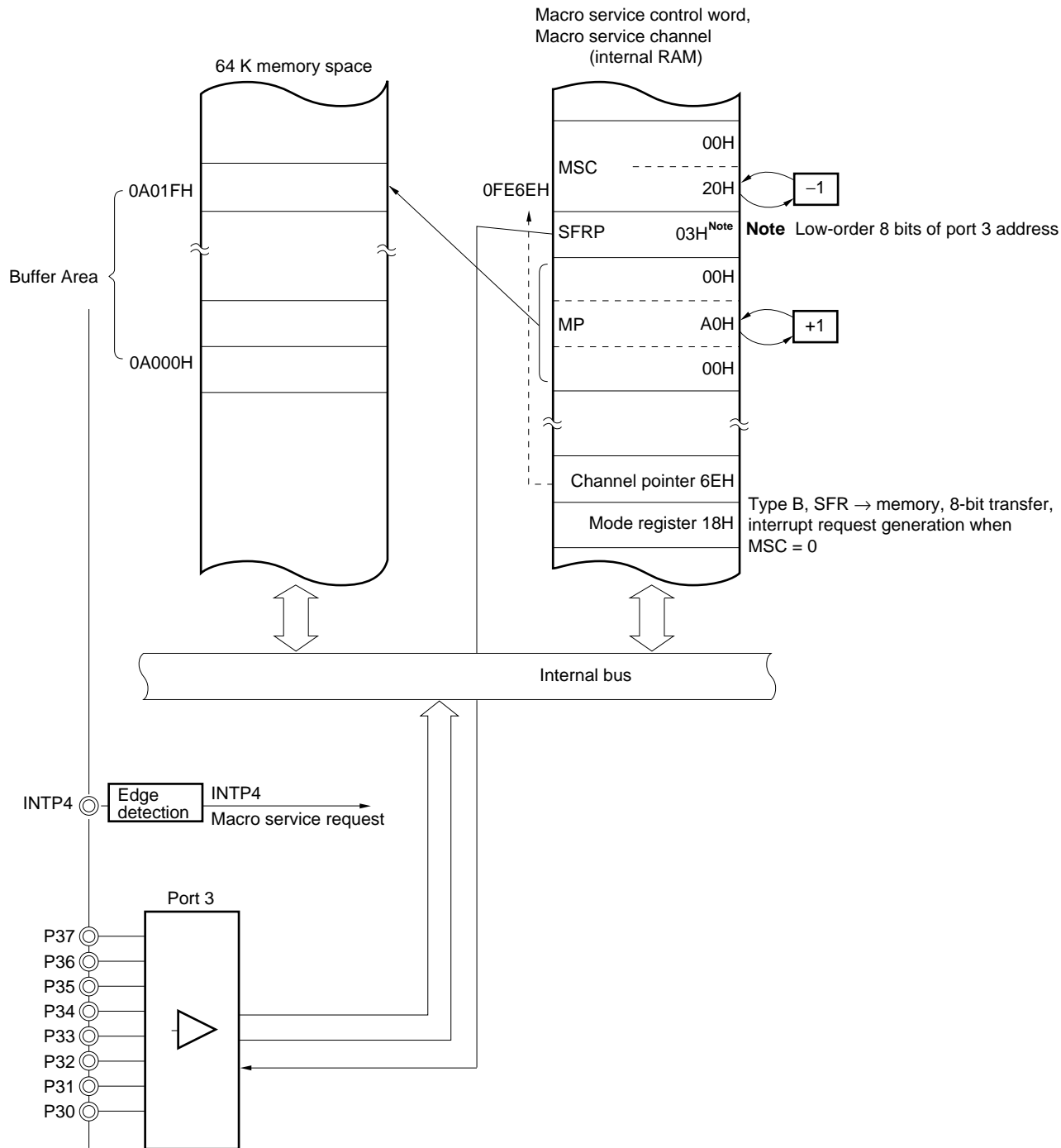
Macro service buffer address = macro service pointer

Note Bits 20 to 23 must be set to 0.

(3) Example of use of type B

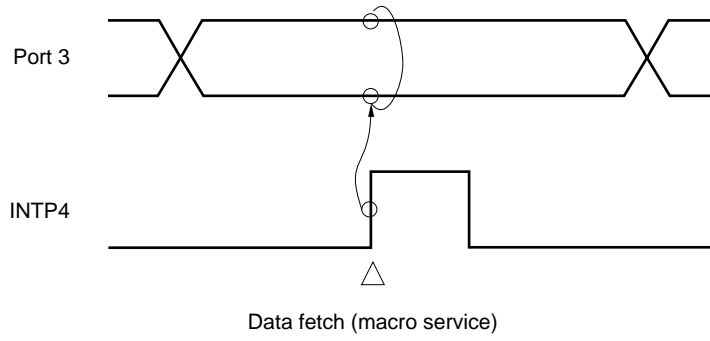
An example is shown below in which parallel data is input from port 3 in synchronization with an external signal. The INTP4 external interrupt pin is used for synchronization with the external signal.

Figure 23-27. Parallel Data Input Synchronized with External Interrupts



Remark Macro service channel addresses in the figure are the values when the LOCATION 0 instruction is executed. When the LOCATION 0FH instruction is executed, 0F0000H should be added to the values in the figure.

Figure 23-28. Parallel Data Input Timing



23.8.8 Macro service type C

(1) Operation

In type C macro service, data in the memory specified by the macro service channel is transferred to two SFRs, for timer use and data use, specified by the macro service channel in response to a single interrupt request (the SFRs can be freely selected). An 8-bit or 16-bit timer SFR can be selected.

In addition to the basic data transfers described above, type C macro service, the following functions can be added to type C macro service to reduce the size of the buffer area and alleviate the burden on software.

These specifications are made by using the mode register of the macro service control word.

(a) Updating of timer macro service pointer

It is possible to choose whether the timer macro service pointer (MPT) is to be kept as it is or incremented/decremented. The MPT is incremented or decremented in the same direction as the macro service pointer (MPD) for data.

(b) Updating of data macro service pointer

It is possible to choose whether the data macro service pointer (MPD) is to be incremented or decremented.

(c) Automatic addition

The current compare register value is added to the data addressed by the timer macro service pointer (MPT), and the result is transferred to the compare register. If automatic addition is not specified, the data addressed by the MPT is simply transferred to the compare register.

(d) Ring control

An output data pattern of the length specified beforehand is automatically output repeatedly.

Figure 23-29. Macro Service Data Transfer Processing Flow (Type C) (1/2)

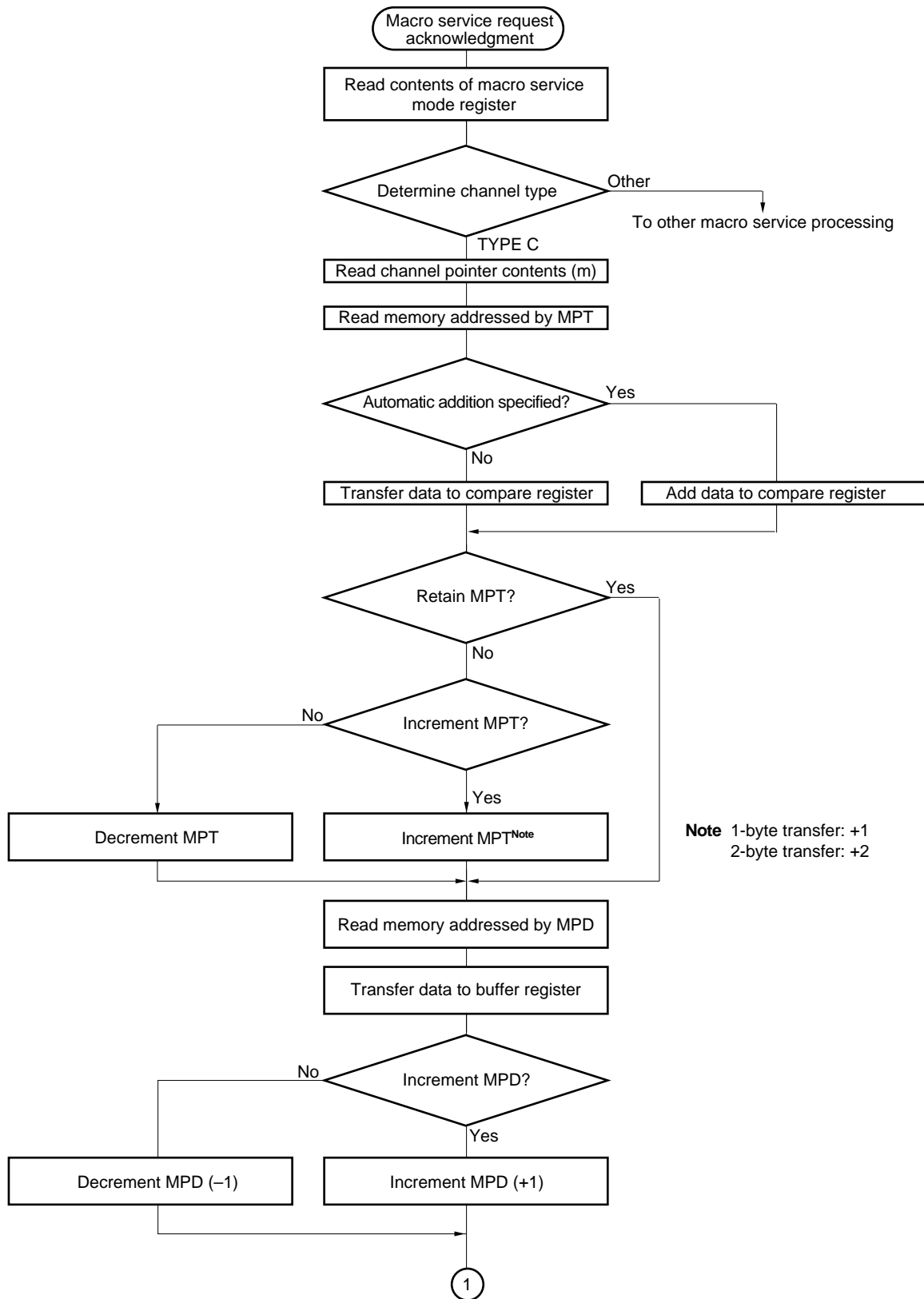
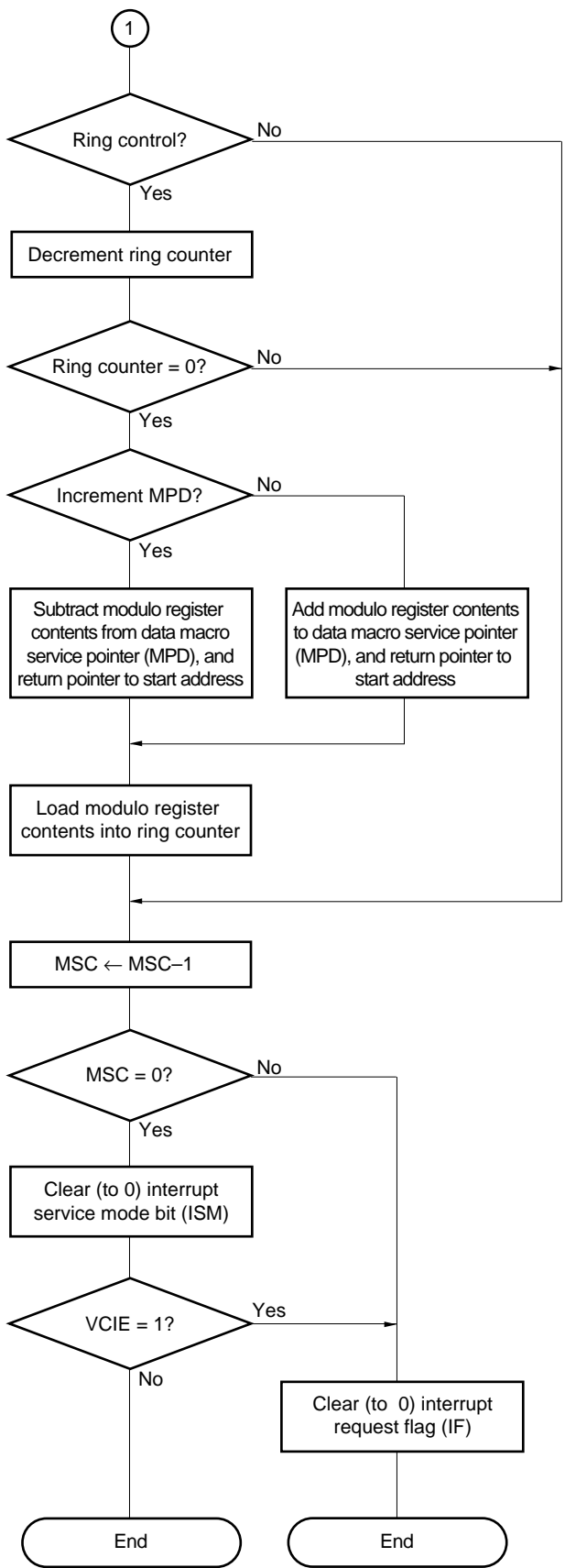


Figure 23-29. Macro Service Data Transfer Processing Flow (Type C) (2/2)



(Vectored interrupt request generation)

(2) Macro service channel configuration

There are two kinds of type C macro service channel, as shown in Figure 23-30.

The timer macro service pointer (MPT) mainly indicates the data buffer area in the 1-Mbyte memory space to be transferred or added to the timer/event counter compare register.

The data macro service pointer (MPD) indicates the data buffer area in the 1-Mbyte memory space to be transferred to the real-time output port.

The modulo register (MR) specifies the number of repeat patterns when ring control is used.

The ring counter (RC) holds the step in the pattern when ring control is used. When initialization is performed, the same value as in the MR is normally set in this counter.

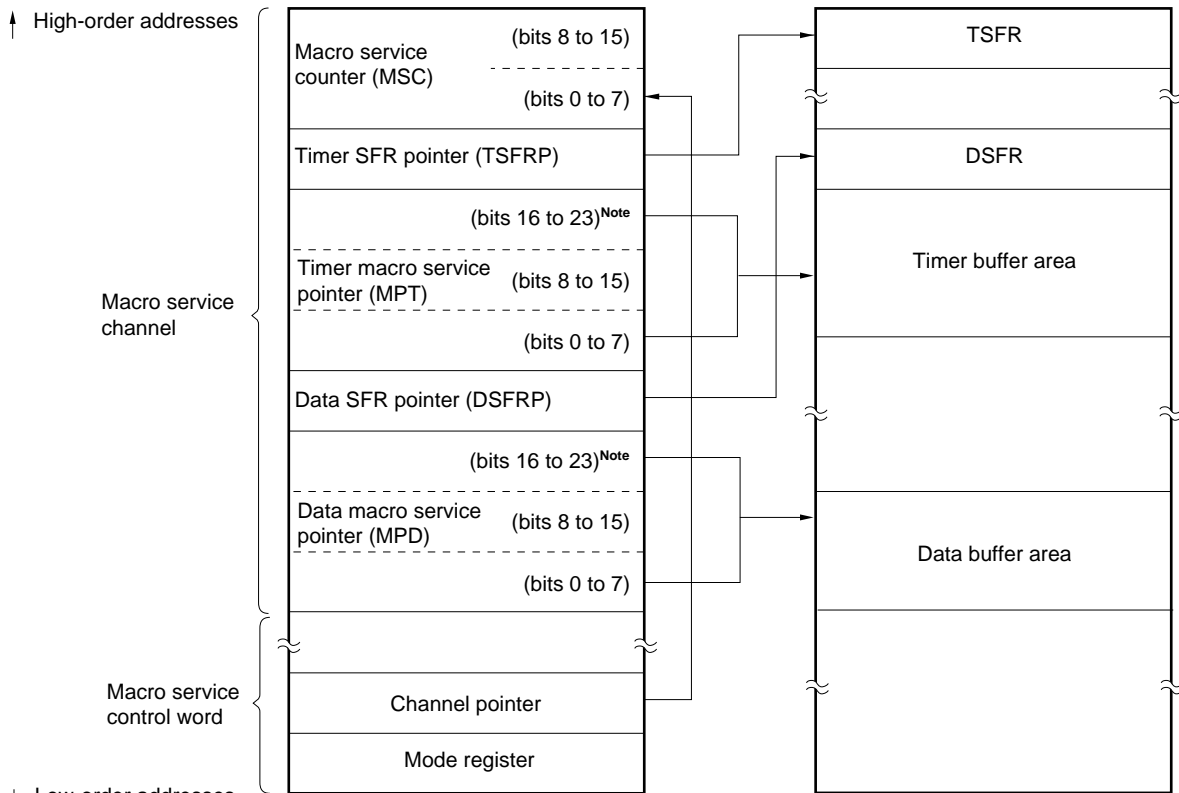
The macro service counter (MSC) is a 16-bit counter that specifies the number of data transfers.

The low-order 8 bits of the SFR that is the transfer destination is written to the timer SFR pointer (TSFRP) and data SFR pointer (DSFRP).

The macro service channel that stores these pointers and counters is located in internal RAM space addresses 0FE00H to 0FEFFH when the LOCATION 0 instruction is executed, or 0FFE00H to 0FFEFFH when the LOCATION 0FH instruction is executed. The macro service channel is indicated by the channel pointer as shown in Figure 23-30. In the channel pointer, the low-order 8 bits of the address are written to the macro service counter in the macro service channel.

Figure 23-30. Type C Macro Service Channel (1/2)

(a) No ring control

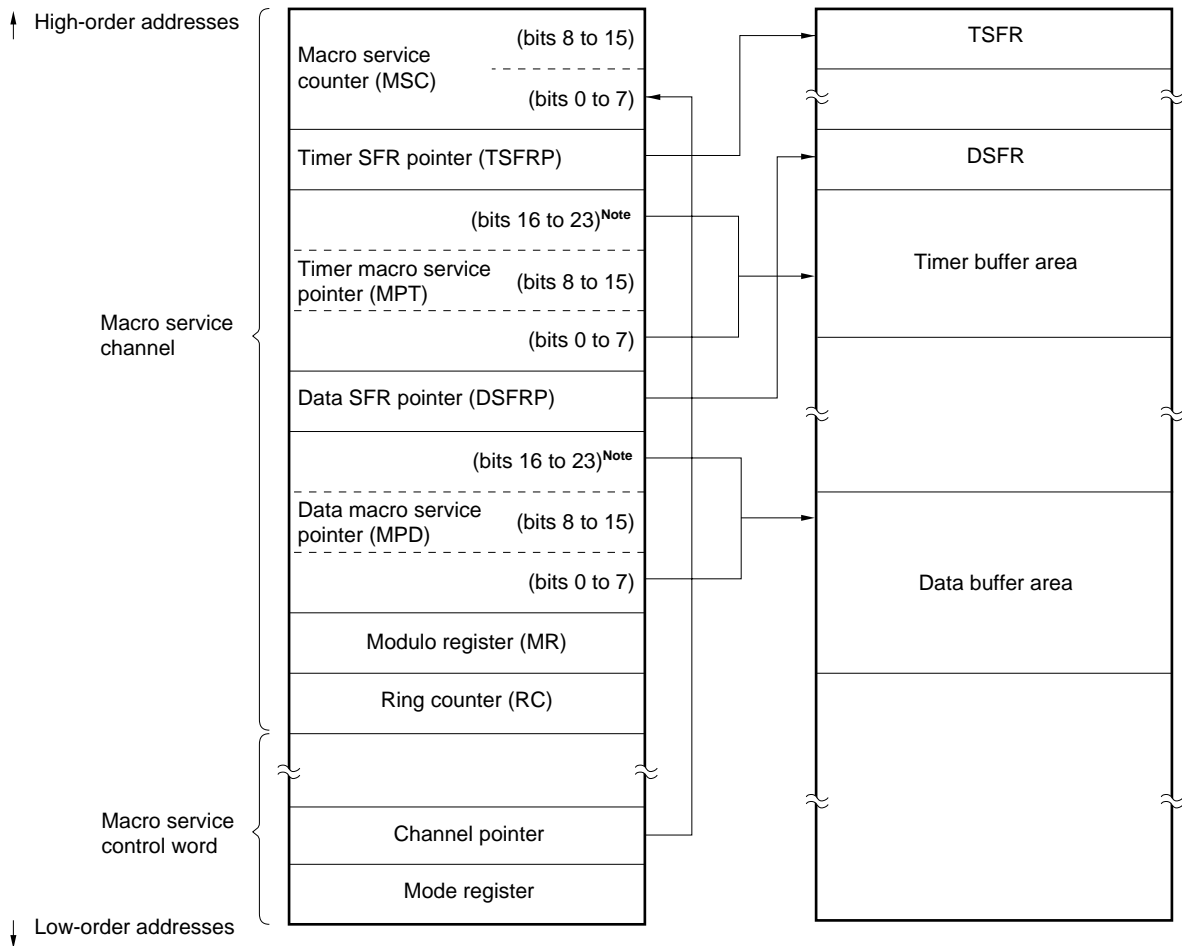


Macro service buffer address = macro service pointer

Note Bits 20 to 23 must be set to 0.

Figure 23-30. Type C Macro Service Channel (2/2)

(b) With ring control



Macro service buffer address = macro service pointer

Note Bits 20 to 23 must be set to 0.

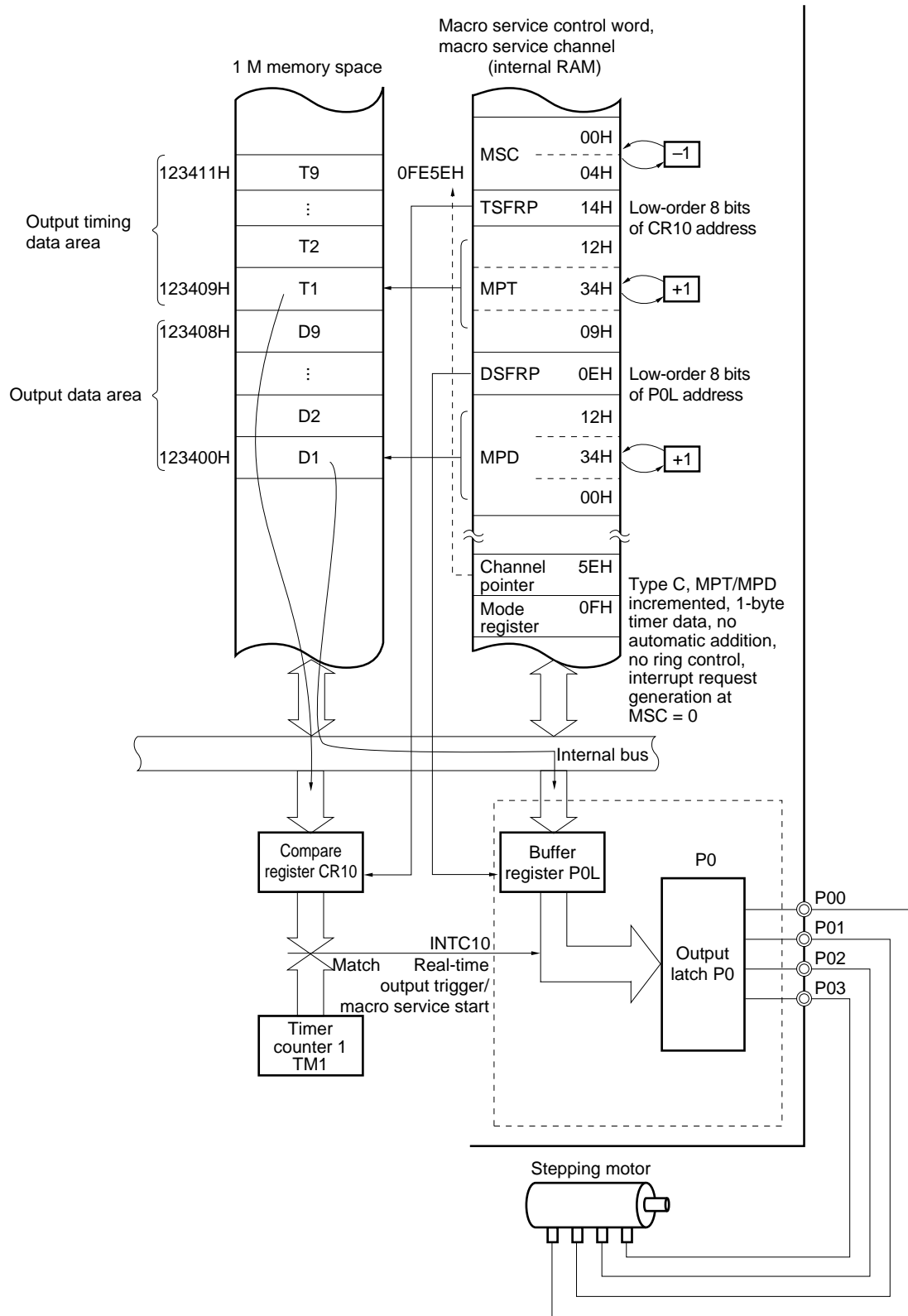
(3) Examples of use of type C

(a) Basic operation

An example is shown below in which the output pattern to the real-time output port and the output interval are directly controlled.

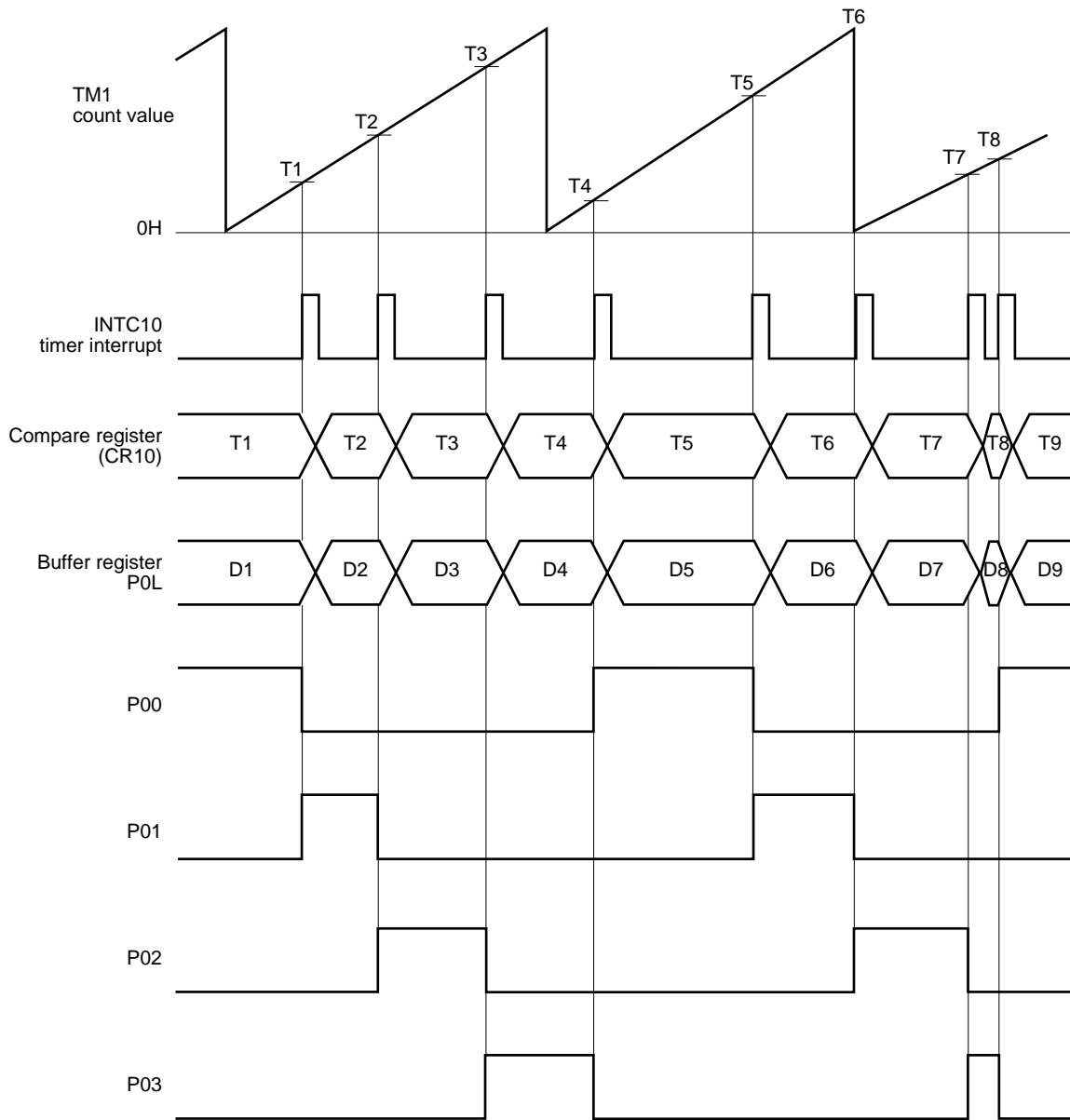
Update data is transferred from the two data storage areas set in the 1-Mbyte space beforehand to the real-time output function buffer register (POL) and the compare register (CR10).

Figure 23-31. Stepping Motor Open Loop Control by Real-Time Output Port



Remark Internal RAM addresses in the figure are the values when the LOCATION 0 instruction is executed. When the LOCATION 0FH instruction is executed, 0F0000H should be added to the values in the figure.

Figure 23-32. Data Transfer Control Timing



(b) Examples of use of automatic addition control and ring control**(i) Automatic addition control**

The output timing data (Δt) specified by the macro service pointer (MPT) is added to the contents of the compare register, and the result is written back to the compare register.

Use of this automatic addition control eliminates the need to calculate the compare register setting value in the program each time.

(ii) Ring control

With ring control, the predetermined output patterns is prepared for one cycle only, and the one-cycle data patterns are output repeatedly in order in ring form.

When ring control is used, only the output patterns for one cycle need be prepared, allowing the size of the data ROM area to be reduced.

The macro service counter (MSC) is decremented each time a data transfer is performed.

With ring control, too, an interrupt request is generated when $MSC = 0$.

When controlling a stepping motor, for example, the output patterns will vary depending on the configuration of the stepping motor concerned, and the phase excitation method (single-phase excitation, two-phase excitation, etc.), but repeat patterns are used in all cases. Examples of single-phase excitation and 1-2-phase excitation of a 4-phase stepping motor are shown in Figures 23-33 and 23-34.

Figure 23-33. Single-Phase Excitation of 4-Phase Stepping Motor

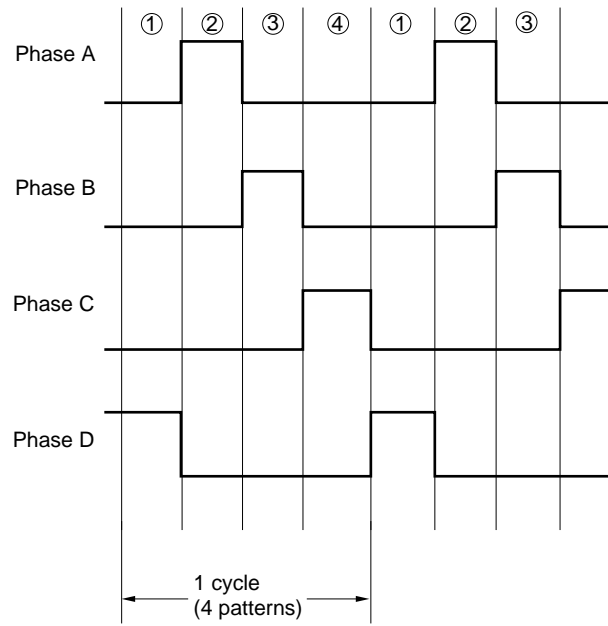


Figure 23-34. 1-2-Phase Excitation of 4-Phase Stepping Motor

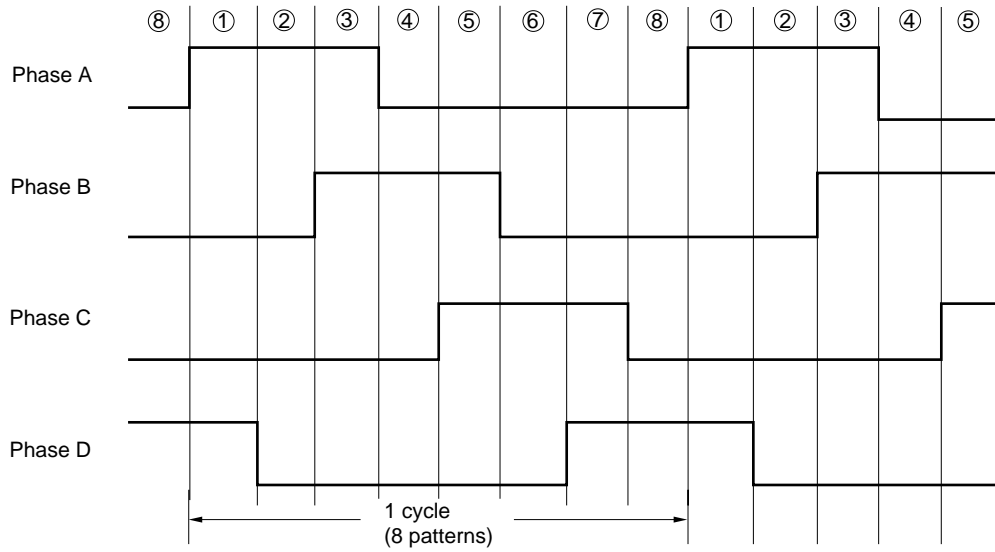
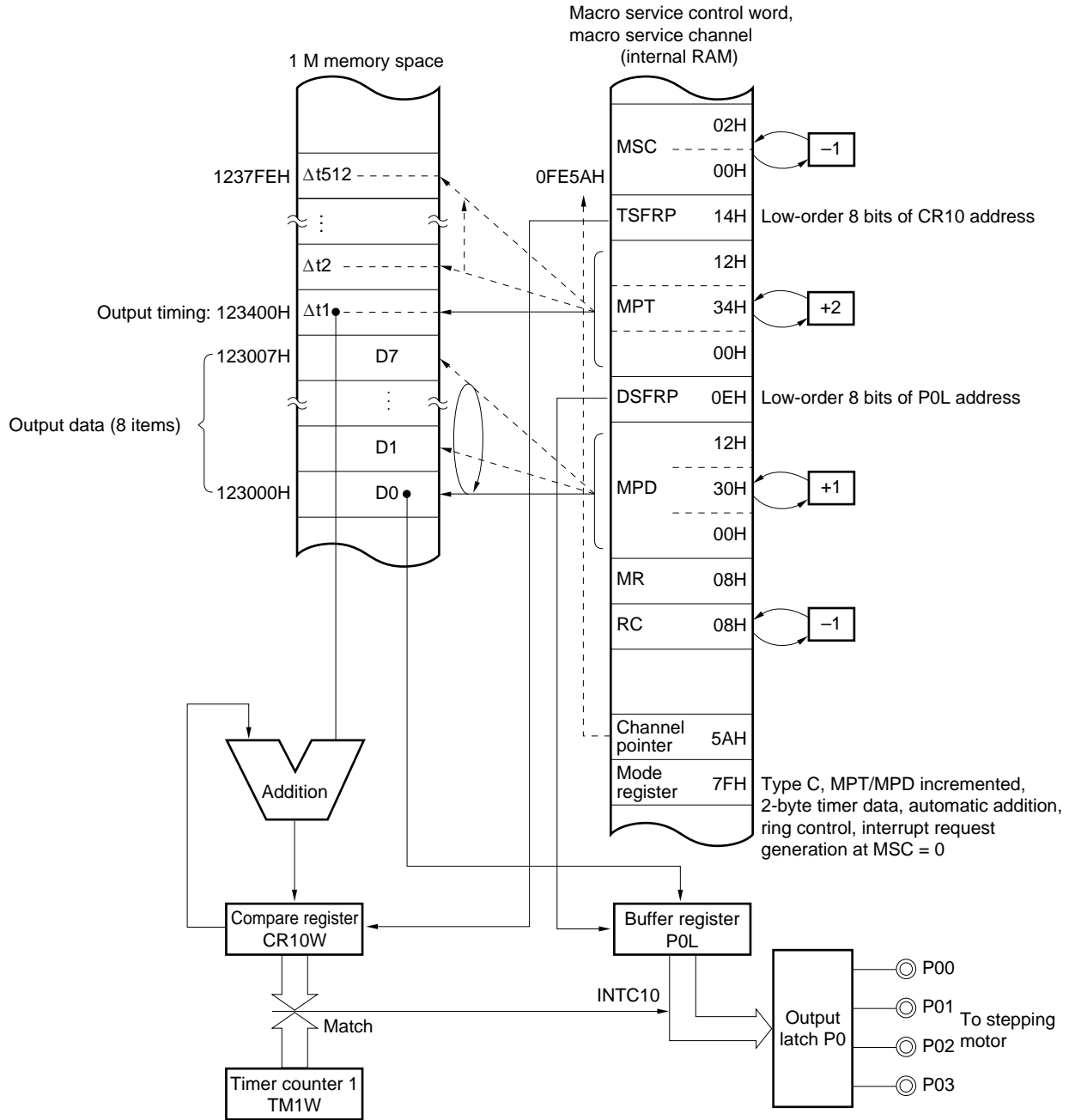
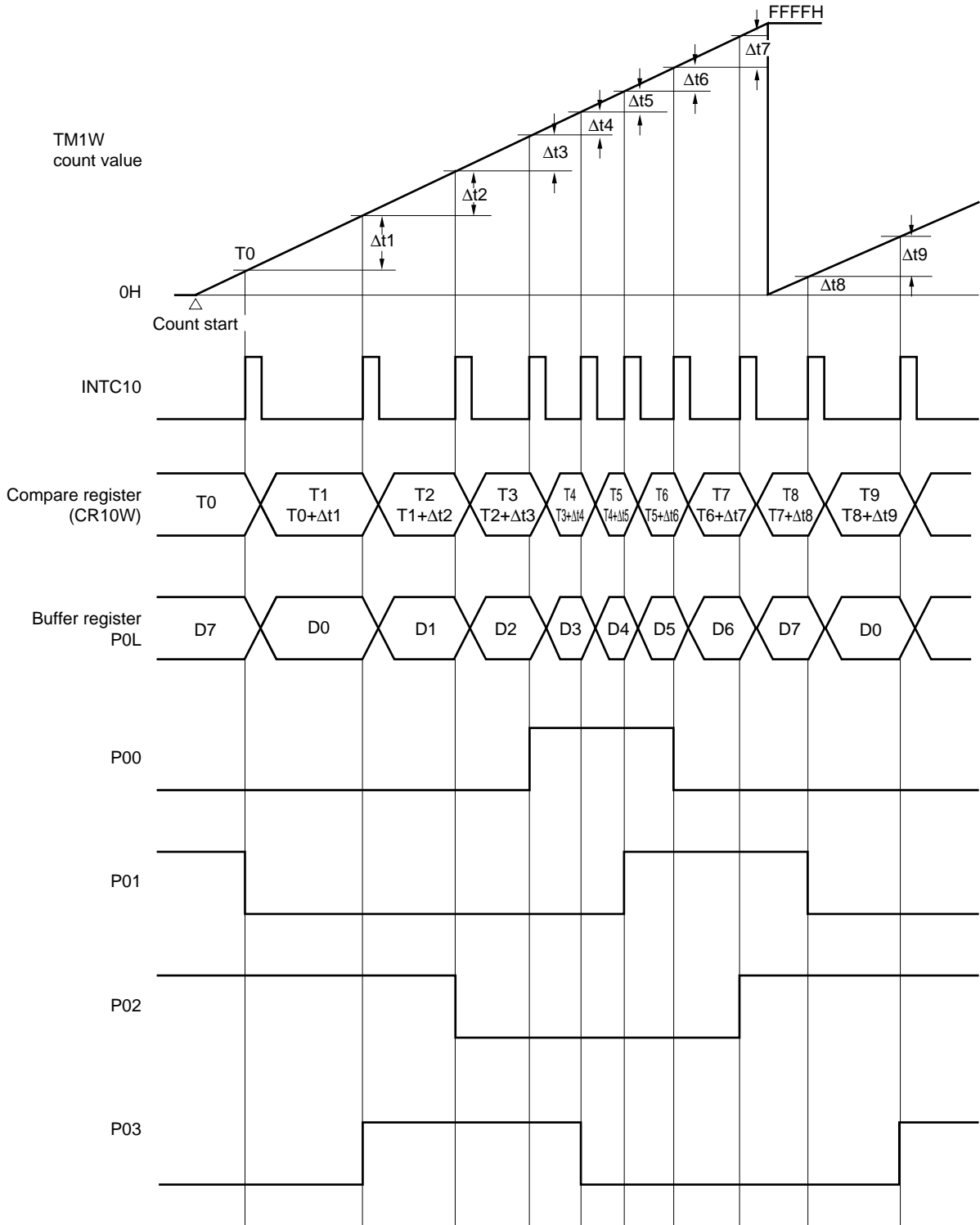


Figure 23-35. Automatic Addition Control + Ring Control Block Diagram 1
 (when output timing varies with 1-2-phase excitation)

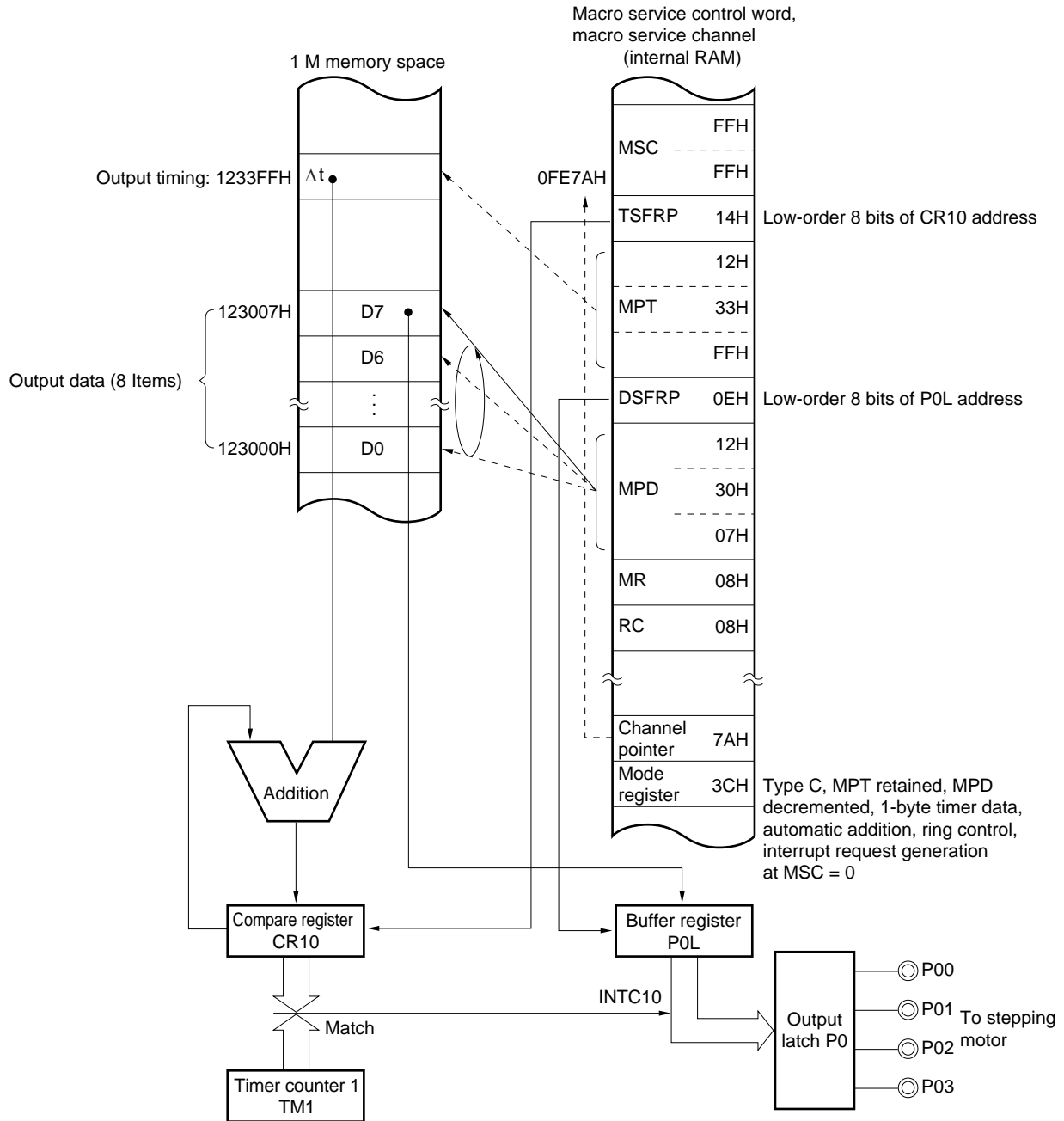


Remark Internal RAM addresses in the figure are the values when the LOCATION 0 instruction is executed. When the LOCATION 0FH instruction is executed, 0F0000H should be added to the values in the figure.

Figure 23-36. Automatic Addition Control + Ring Control Timing Diagram 1
(when output timing varies with 1-2-phase excitation)

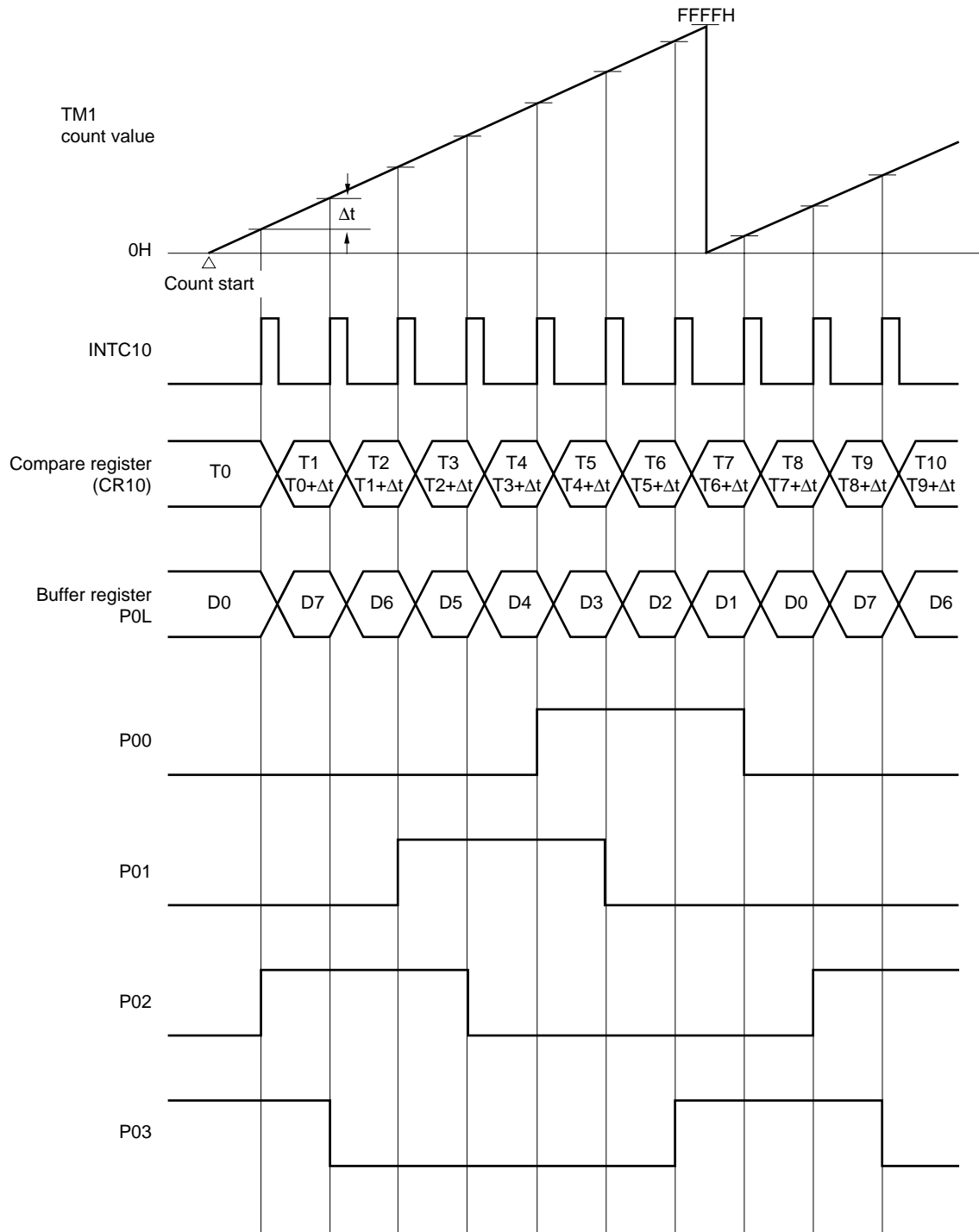


**Figure 23-37. Automatic Addition Control + Ring Control Block Diagram 2
(1-2-phase excitation constant-velocity operation)**



Remark Internal RAM addresses in the figure are the values when the LOCATION 0 instruction is executed. When the LOCATION 0FH instruction is executed, 0F0000H should be added to the values in the figure.

Figure 23-38. Automatic Addition Control + Ring Control Timing Diagram 2
 (1-2-phase excitation constant-velocity operation)



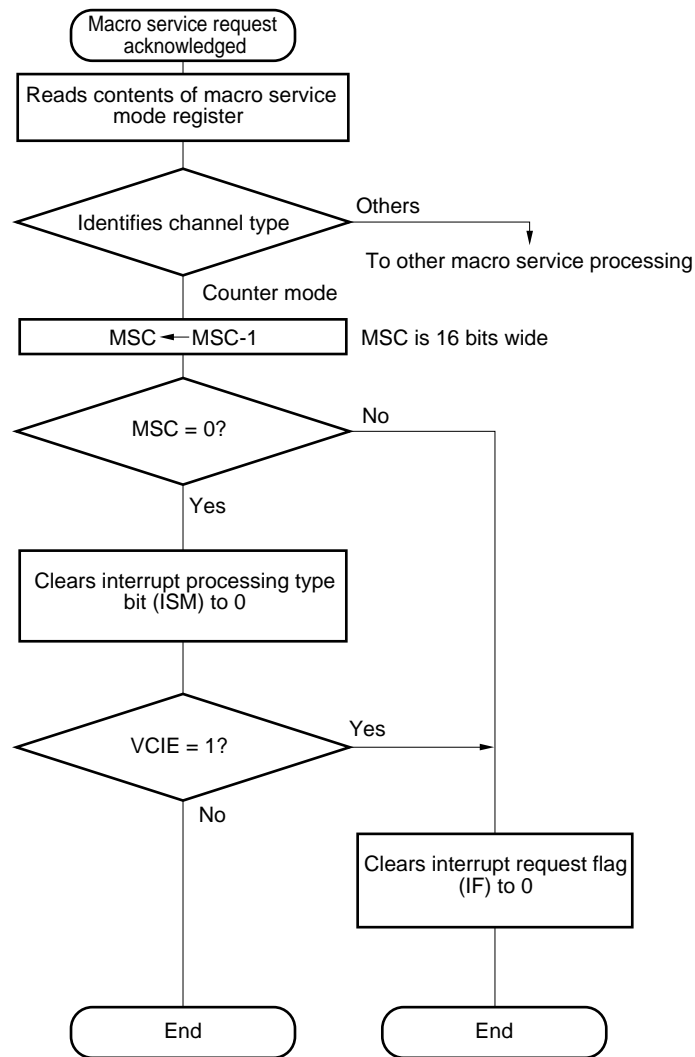
23.8.9 Counter mode

(1) Operation

MSC is decremented the number of times set in advance to the macro service counter (MSC).

Because the number of times an interrupt occurs can be counted, this function can be used as an event counter where the interrupt generation cycle is long.

Figure 23-39. Macro Service Data Transfer Processing Flow (counter mode)

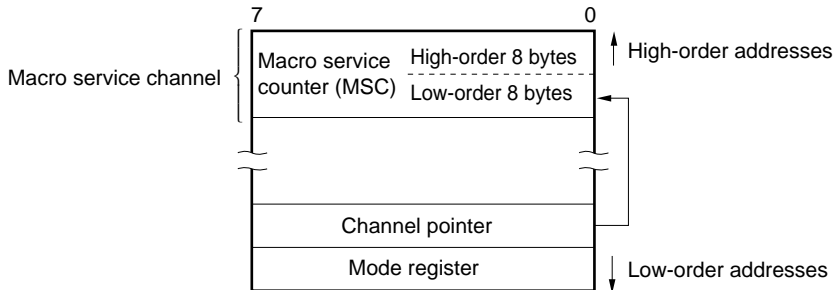


(Vectored interrupt request is generated)

(2) Configuration of macro service channel

The macro service channel consists of only a 16-bit macro service counter. The low-order 8 bits of the address of the MSC are written to the channel pointer.

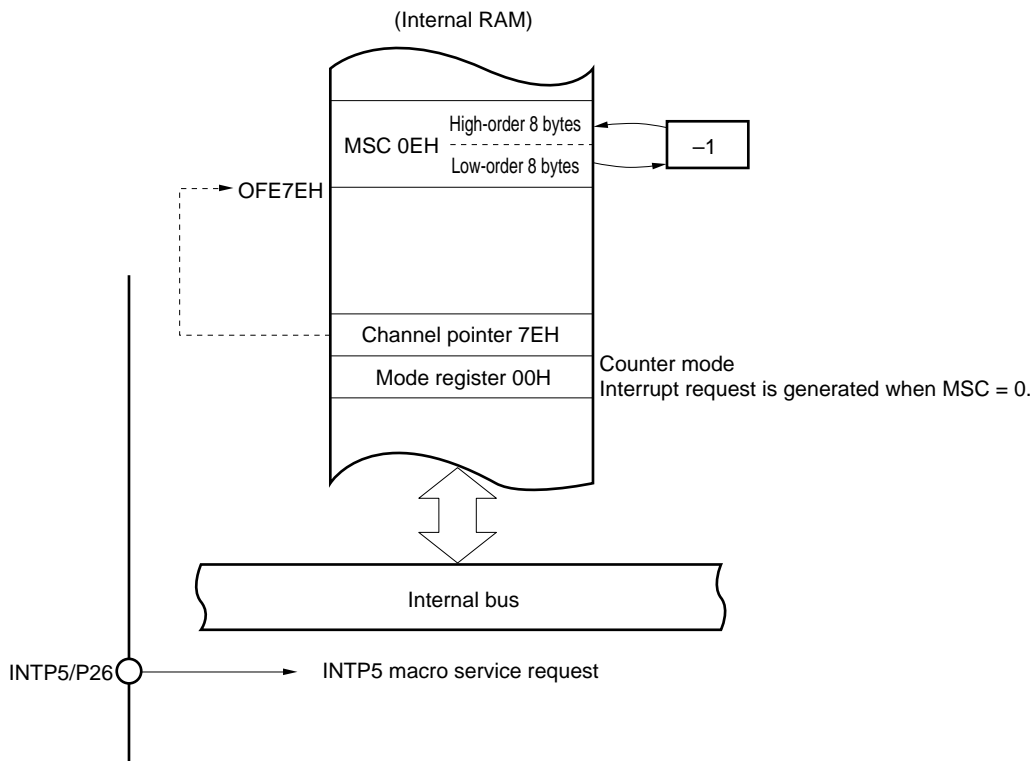
Figure 23-40. Counter Mode



(3) Example of using counter mode

Here is an example of counting the number of edges input to external interrupt pin INTP5.

Figure 23-41. Counting Number of Edges



Remark The internal RAM address in the figure above is the value when the LOCATION 0 instruction is executed. When the LOCATION 0FH instruction is executed, add 0F0000H to this value.

23.9 When Interrupt Requests and Macro Service are Temporarily Held Pending

When the following instructions are executed, interrupt acknowledgment and macro service processing is deferred for 8 system clock cycles. However, software interrupts are not deferred.

EI
 DI
 BRK
 BRKCS RBn
 RETI
 RETB
 RETCS
 RETCSB !addr16
 POP PSW
 LOCATION 0H or LOCATION 0FH
 POPU POST
 MOV PSWL, A
 MOV PSWL, #byte
 MOVG SP, #imm24

Write instruction and bit manipulation instruction to an interrupt control register^{Note}, or the MK0, MK1, IMC or ISPR register (except BT and BF instructions)

PSWL bit manipulation instruction

(Excluding the BT PSWL. bit, \$addr16, BF PSWL. bit, \$addr16, SET1 CY, NOT1 CY, and CLR1 CY instructions)

Note Interrupt control registers: PIC0, PIC1, PIC2, PIC3, PIC4, PIC5, CIC00, CIC01, CIC10, CIC11, CIC20, CIC21, CIC30, ADIC, SERIC, SRIC, CSIIC1, STIC, CSIIC, SERIC2, SRIC2, CSIIC2, STIC2, IEIC1, IEIC2, WIC, CSIIC3

- Cautions 1. When an interrupt related register is polled using a BF instruction, etc., the branch destination of that BR instruction, etc., should not be that instruction. If a program is written in which a branch is made to that instruction itself, all interrupts and macro service requests will be held pending until a condition whereby a branch is not made by that instruction arises.**

Bad Example

```

:
LOOP : BF PIC0.7, $LOOP      All interrupts and macro service requests are held pending until
                             PIC0.7 is 1.
    × × ×                    ← Interrupts and macro service requests are not serviced until
:                             after execution of the instruction following the BF instruction.

```

Good Example (1)

```

:
LOOP : NOP
      BF PIC0.7, $LOOP      ← Interrupts and macro service requests are serviced after execution
:                             of the NOP instruction, so that interrupts are never held
                             pending for a long period.

```

Good Example (2)

```

:
LOOP : BT PIC0.7, $NEXT     Using a BTCLR instruction instead of a BT instruction has the
                             advantage that the flag is cleared (to 0) automatically.
      BR $LOOP              ← Interrupts and macro service requests are serviced after
NEXT :                       execution of the BR instruction, so that interrupts are never held
                             pending for a long period.

```

- 2. For a similar reason, if problems are caused by a long pending period for interrupts and macro service when instructions to which the above applies are used in succession, a time at which interrupts and macro service requests can be acknowledged should be provided by inserting an NOP instruction, etc., in the series of instructions.**

23.10 Instructions whose Execution is Temporarily Suspended by an Interrupt or Macro Service

Execution of the following instructions is temporarily suspended by an acknowledgeable interrupt request or macro service request, and the interrupt or macro service request is acknowledged. The suspended instruction is resumed after completion of the interrupt service program or macro service processing.

Temporarily suspended instructions:

- MOVM, XCHM, MOVBK, XCHBK
- CMPME, CMPMNE, CMPMC, CMPMNC
- CMPBKE, CMPBKNE, CMPBKC, CMPBKNC
- SACW

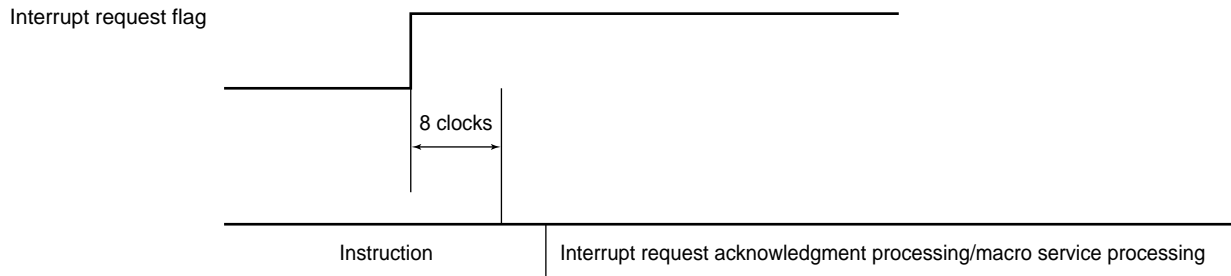
23.11 Interrupt and Macro Service Operation Timing

Interrupt requests are generated by hardware. The generated interrupt request sets (to 1) an interrupt request flag.

When the interrupt request flag is set (to 1), a time of 8 clocks ($0.64 \mu\text{s}$: $f_{\text{CLK}} = 12.58 \text{ MHz}$) is taken to determine the priority, etc.

Following this, if acknowledgment of that interrupt or macro service is enabled, interrupt request acknowledgment processing is performed when the instruction being executed ends. If the instruction being executed is one which temporarily defers interrupts and macro service, the interrupt request is acknowledged after the following instruction (see **23.9 When Interrupt Requests and Macro Service are Temporarily Held Pending** for deferred instructions).

Figure 23-42. Interrupt Request Generation and Acknowledgment (unit: clocks)



23.11.1 Interrupt acknowledge processing time

The time shown in Table 23-7 is required to acknowledge an interrupt request. After the time shown in this table has elapsed, execution of the interrupt processing program is started.

Table 23-7. Interrupt Acknowledge Processing Time

(Unit: Clock = 1/f_{CLK})

Vector Table	IROM						EMEM					
	IROM, PRAM			EMEM			PRAM			EMEM		
Stack	IRAM	PRAM	EMEM	IRAM	PRAM	EMEM	IRAM	PRAM	EMEM	IRAM	PRAM	EMEM
Vectored Interrupts	26	29	37 + 4n	27	30	38 + 4n	30	33	41 + 4n	31	34	42 + 4n
Context Switching	22	–	–	23	–	–	22	–	–	23	–	–

- Remarks**
- IROM: internal ROM (with high-speed fetch specified)
 PRAM: peripheral RAM of internal RAM (only when LOCATION 0 instruction is executed in the case of branch destination)
 IRAM: internal high-speed RAM
 EMEM: internal ROM when external memory and high-speed fetch are not specified
 - n is the number of wait states per byte necessary for writing data to the stack (the number of wait states is the sum of the number of address wait states and the number of access wait states).
 - If the vector table is EMEM, and if wait states are inserted in reading the vector table, add 2 m to the value of the vectored interrupt in the above table, and add m to the value of context switching, where m is the number of wait states per byte necessary for reading the vector table.
 - If the branch destination is EMEM and if wait states are inserted in reading the instruction at the branch destination, add that number of wait states.
 - If the stack is occupied by PRAM and if the value of the stack pointer (SP) is odd, add 4 to the value in the above table.
 - The number of wait states is the sum of the number of address wait states and the number of access wait states.

23.11.2 Processing time of macro service

Macro service processing time differs depending on the type of the macro service, as shown in Table 23-8.

Table 23-8. Macro Service Processing Time

(Units: Clock = $1/f_{CLK}$)

Processing Type of Macro Service			Data Area	
			IRAM	Others
Type A	SFR → memory	1 byte	24	–
		2 bytes	25	–
	Memory → SFR	1 byte	24	–
		2 bytes	26	–
Type B	SFR → memory		33	35
	Memory → SFR		34	36
Type C			49	53
Counter mode	MSC ≠ 0		17	–
	MSC = 0		25	–

- Remarks**
1. IRAM: internal high-speed RAM
 2. In the following cases in the other data areas, add the number of clocks specified below.
 - If the data size is 2 bytes with IROM or IRAM, and the data is located at an odd address: 4 clocks
 - If the data size is 1 byte with EMEM: number of wait states for data access
 - If the data size is 2 bytes with EMEM: $4 + 2n$ (where n is the number of wait states per byte)
 3. If MSC = 0 with type A, B, or C, add 1 clock.
 4. With type C, add the following value depending on the function to be used and the status at that time.
 - Ring control: 4 clocks. Adds 7 more clocks if the ring counter is 0 during ring control.

23.12 Restoring Interrupt Function to Initial State

If an inadvertent program loop or system error is detected by means of an operand error interrupt, the watchdog timer, NMI pin input, etc., the entire system must be restored to its initial state. In the μ PD784938, interrupt acknowledgment related priority control is performed by hardware. This interrupt acknowledgment related hardware must also be restored to its initial state, otherwise subsequent interrupt acknowledgment control may not be performed normally.

A method of initializing interrupt acknowledgment related hardware in the program is shown below. The only way of performing initialization by hardware is by $\overline{\text{RESET}}$ input.

```

Example      MOVW  MK0, #0FFFFH;  Mask all maskable interrupts
                MOV   MK1L, #0FFH

IRESL:
                CMP   ISPR, #0;      No interrupt service programs running?
                BZ    $NEXT
                MOVG  SP, #RETVL;    Forcibly change SP location
                RETI;                Forcibly terminate running interrupt service program, return
                                     address = IRESL

RETVL:
                DW    LOWW (IRESL);  Stack data to return to IRESL with RETI instruction
                DB    0
                DB    HIGHW (IRESL); LOWW & HIGHW are assembler operators for calculating low-order
                                     16 bits & high-order 16 bits respectively of symbol NEXT

NEXT:


- It is necessary to ensure that a non-maskable interrupt request is not generated via the NMI pin during execution of this program.
- After this, on-chip peripheral hardware initialization and interrupt control register initialization are performed.
- When interrupt control register initialization is performed, the interrupt request flags must be cleared (to 0).

```

23.13 Cautions

- (1) The in-service priority register (ISPR) is read-only. Writing to this register may result in misoperation.
- (2) The watchdog timer mode register (WDM) can only be written to with a dedicated instruction (MOV WDM/#byte).
- (3) The RETI instruction must not be used to return from a software interrupt caused by a BRK instruction.
- (4) The RETCS instruction must not be used to return from a software interrupt caused by a BRKCS instruction.
- (5) When a maskable interrupt is acknowledged by vectored interruption, the RETI instruction must be used to return from the interrupt. Subsequent interrupt related operations will not be performed normally if a different instruction is used.
- (6) The RETCS instruction must be used to return from a context switching interrupt. Subsequent interrupt related operations will not be performed normally if a different instruction is used.
- (7) Macro service requests are acknowledged and serviced even during execution of a non-maskable interrupt service program. If you do not want macro service processing to be performed during a non-maskable interrupt service program, you should manipulate the interrupt mask register in the non-maskable interrupt service program to prevent macro service generation.
- (8) The RETI instruction must be used to return from a non-maskable interrupt. Subsequent interrupt acknowledgment will not be performed normally if a different instruction is used.
- (9) Non-maskable interrupts are always acknowledged, except during non-maskable interrupt service program execution (except when a high non-maskable interrupt request is generated during execution of a low-priority non-maskable interrupt service program) and for a certain period after execution of the special instructions shown in **23.9**. Therefore, a non-maskable interrupt will be acknowledged even when the stack pointer (SP) value is undefined, in particular after reset release, etc. In this case, depending on the value of the SP, it may happen that the program counter (PC) and program status word (PSW) are written to the address of a write-inhibited special function register (SFR) (see **Table 3-6** in **3.9 Special Function Registers (SFR)**), and the CPU becomes deadlocked, or the PC and PSW are written to an unexpected signal is output from a pin, or an address is which RAM is not mounted, with the result that the return from the non-maskable interrupt service program is not performed normally and a software upsets occurs. Therefore, the program following RESET release must be as follows.

```

CSEG AT 0
DW   STRT
CSEG BASE
STRT:
LOCATION 0FH; or LOCATION 0
MOVG SP, #imm24

```


- (10) When an interrupt related register is polled using a BF instruction, etc., the branch destination of that BR instruction, etc., should not be that instruction. If a program is written in which a branch is made to that instruction itself, all interrupts and macro service requests will be held pending until a condition whereby a branch is not made by that instruction arises.

Bad Example

```

:
LOOP: BF PIC0.7, $LOOP      All interrupts and macro service requests are held pending until PIC0.7 is 1.
      xxx                  ← Interrupts and macro service requests are not serviced until after execution
:                          of the instruction following the BF instruction.

```

Good Example (1)

```

LOOP: NOP
      BF PIC0.7, $LOOP      ← Interrupts and macro service requests are serviced after execution of the
:                          NOP instruction, so that interrupts are never held pending for a long period.

```

Good Example (2)

```

LOOP: BT ;PIC0.7, $NEXT    Using a BTCLR instruction instead of a BT instruction has the advantage
                          that the flag is cleared (to 0) automatically.
      BR $LOOP              ← Interrupts and macro service requests are serviced after execution of the
NEXT:                      BR instruction, so that interrupts are never held pending for a long period.
:

```

- (11) For a similar reason to that given in (10), if problems are caused by a long pending period for interrupts and macro service when instructions to which the above applies are used in succession, a time at which interrupts and macro service requests can be acknowledged should be provided by inserting an NOP instruction, etc., in the series of instructions.

[MEMO]

CHAPTER 24 LOCAL BUS INTERFACE FUNCTION

The local bus interface function is provided for the connection of external memory (ROM and RAM) and I/Os.

External memory (ROM and RAM) and I/Os are accessed using the \overline{RD} , \overline{WR} , and ASTB pin signals, with pins AD0 to AD7 used as the multiplexed address/data bus and pins A8 to A19 as the address bus.

The basic bus interface timing is shown in Figures 24-6 and 24-7.

Also provided are a wait function for interfacing with low-speed memory, a refresh signal output function for refreshing pseudo-static RAM, and a bus hold function for connecting devices that have a bus master function, such as a DMA controller.

24.1 Memory Expansion Function

With the μ PD784938, external memory and I/O expansion can be performed by setting the memory expansion mode register (MM).

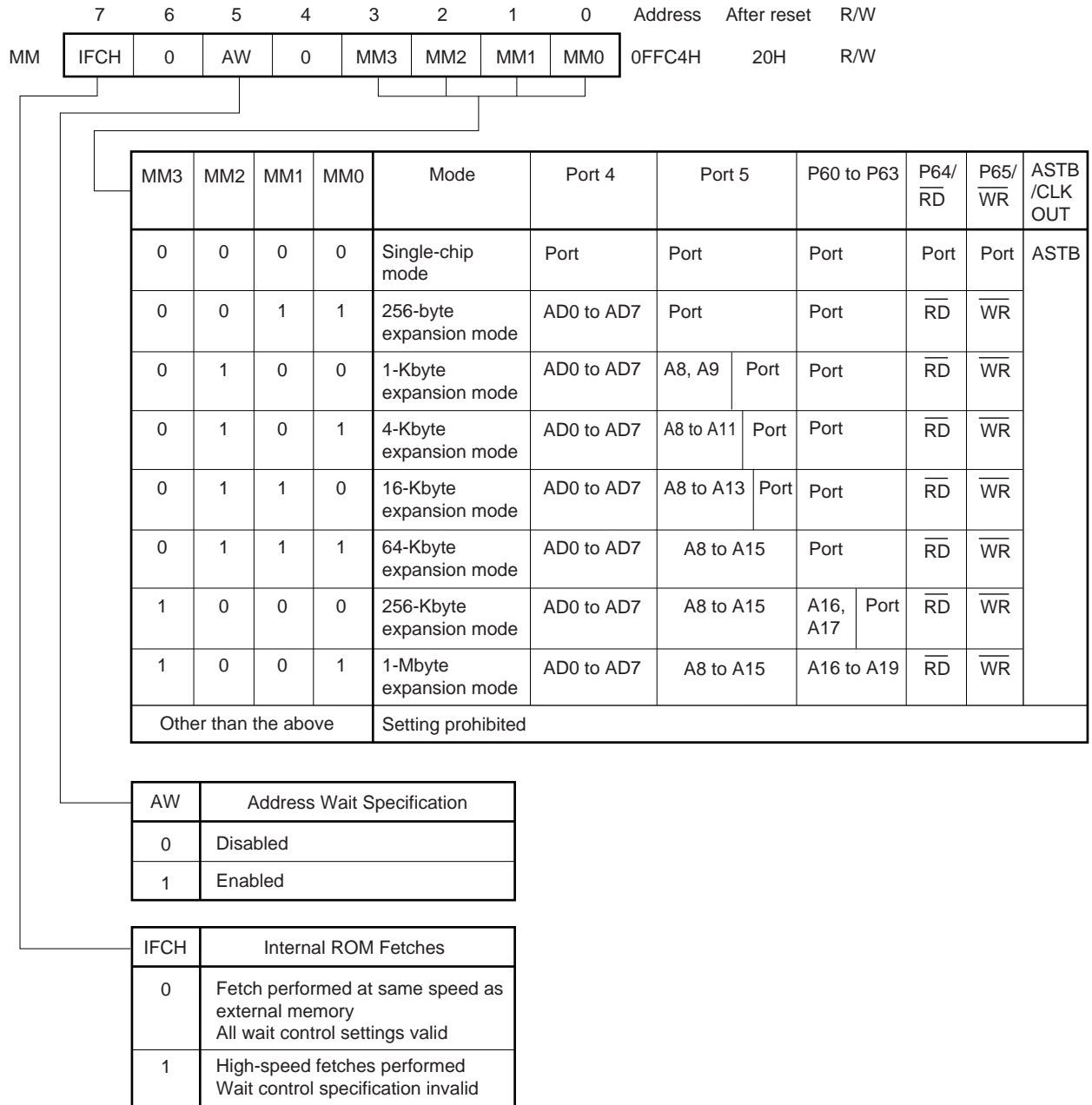
24.1.1 Memory expansion mode register (MM)

MM is an 8-bit register that performs external expansion memory control, address wait number specification, and internal fetch cycle control.

MM can be read or written to with an 8-bit manipulation instruction or bit manipulation instruction. The MM format is shown in Figure 24-1.

\overline{RESET} input sets MM to 20H.

Figure 24-1. Memory Expansion Mode Register (MM) Format



24.1.2 Memory map with external memory expansion

The memory map when memory expansion is used is shown in Figures 24-2 and 24-3. External devices at the same addresses as the internal ROM area, internal RAM area and SFR area (excluding the external SFR area (0FFD0H to 0FFDFH)) cannot be accessed. If an access is made to these addresses, the memory or SFR in the μ PD784938 has access priority and no $\overline{\text{ASTB}}$ signal, $\overline{\text{RD}}$ signal, or $\overline{\text{WR}}$ signal is output (these pins remain at the inactive level). The address bus output level remains at the level output prior to this, and the address/data bus output becomes high-impedance.

Except in 1-Mbyte expansion mode, the address output externally is output with the upper part of the address specified by the program masked.

Example 1:

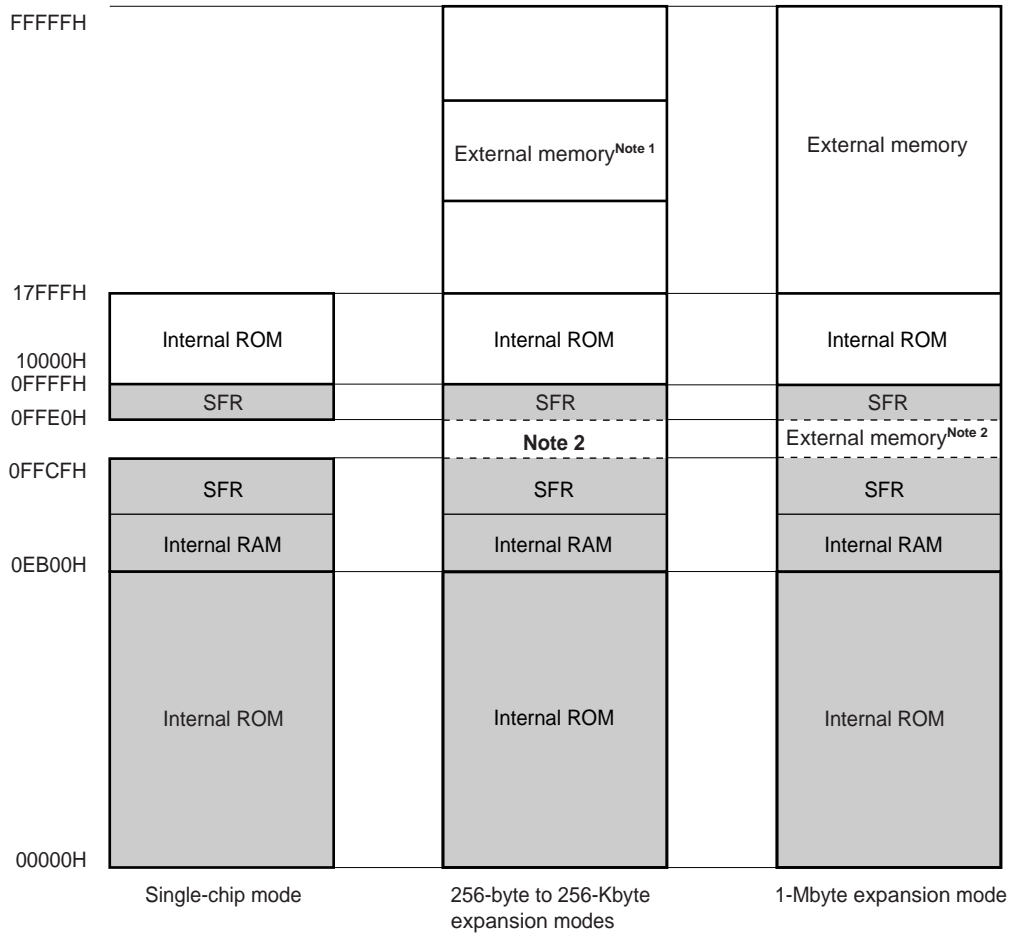
In 256-byte expansion mode, when address 54321H is accessed by the program, the output address is 21H.

Example 2:

In 256-byte expansion mode, when address 67821H is accessed by the program, the output address is 21H.

Figure 24-2. μ PD784935 Memory Map (1/2)

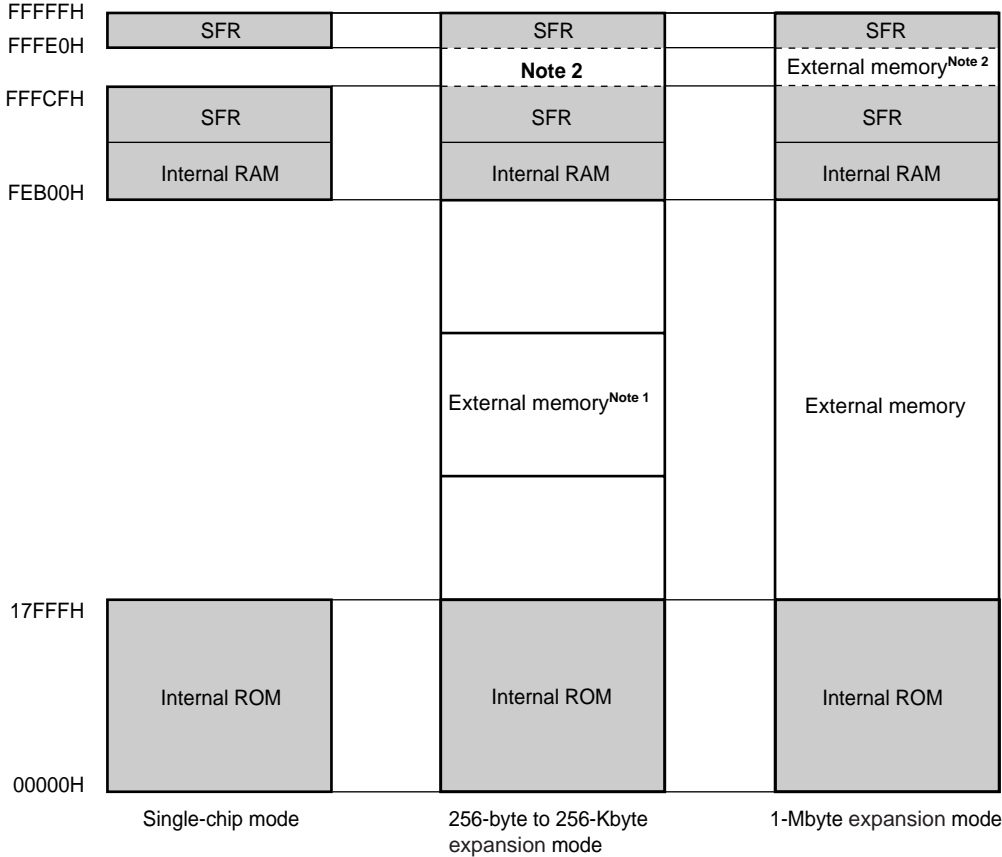
(a) When LOCATION 0 instruction is executed



- Notes 1. Any expansion size area in unshaded part
- 2. External SFR area

Figure 24-2. μ PD784935 Memory Map (2/2)

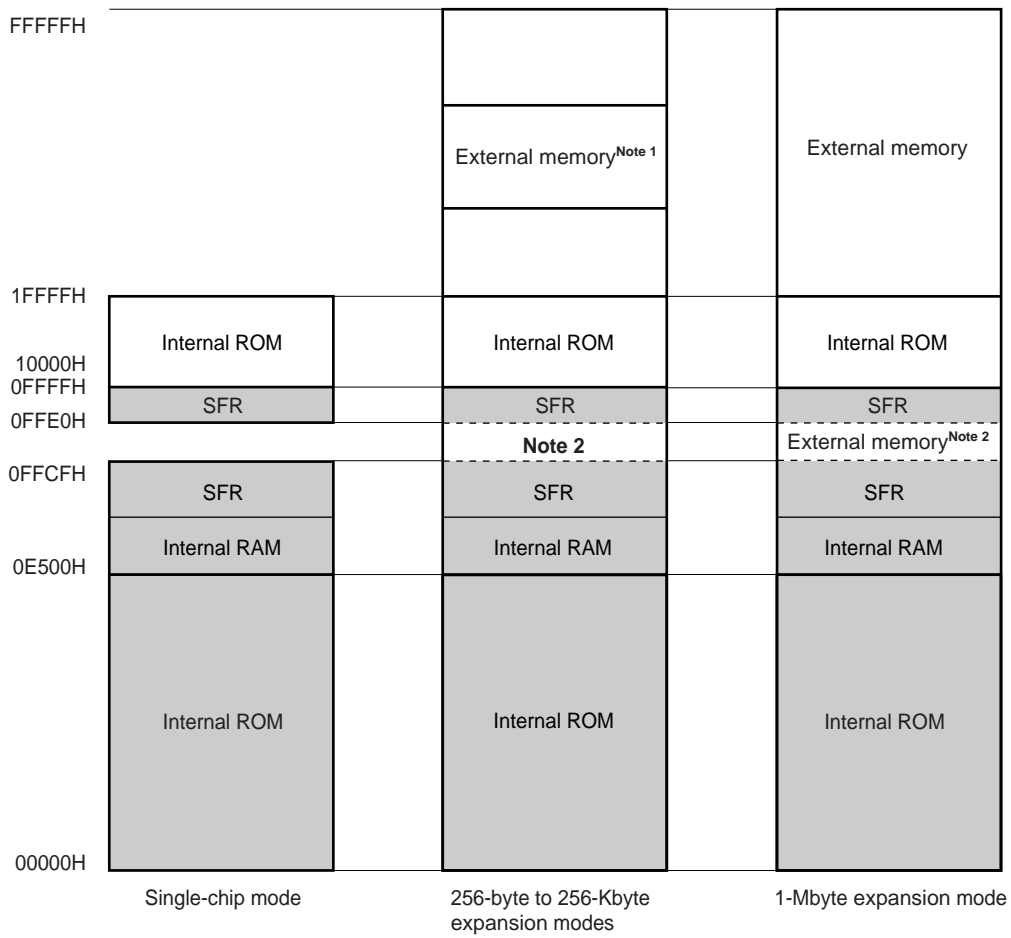
(b) When LOCATION 0FH instruction is executed



- Notes 1. Any expansion size area in unshaded part
- 2. External SFR area

Figure 24-3. μ PD784936 Memory Map (1/2)

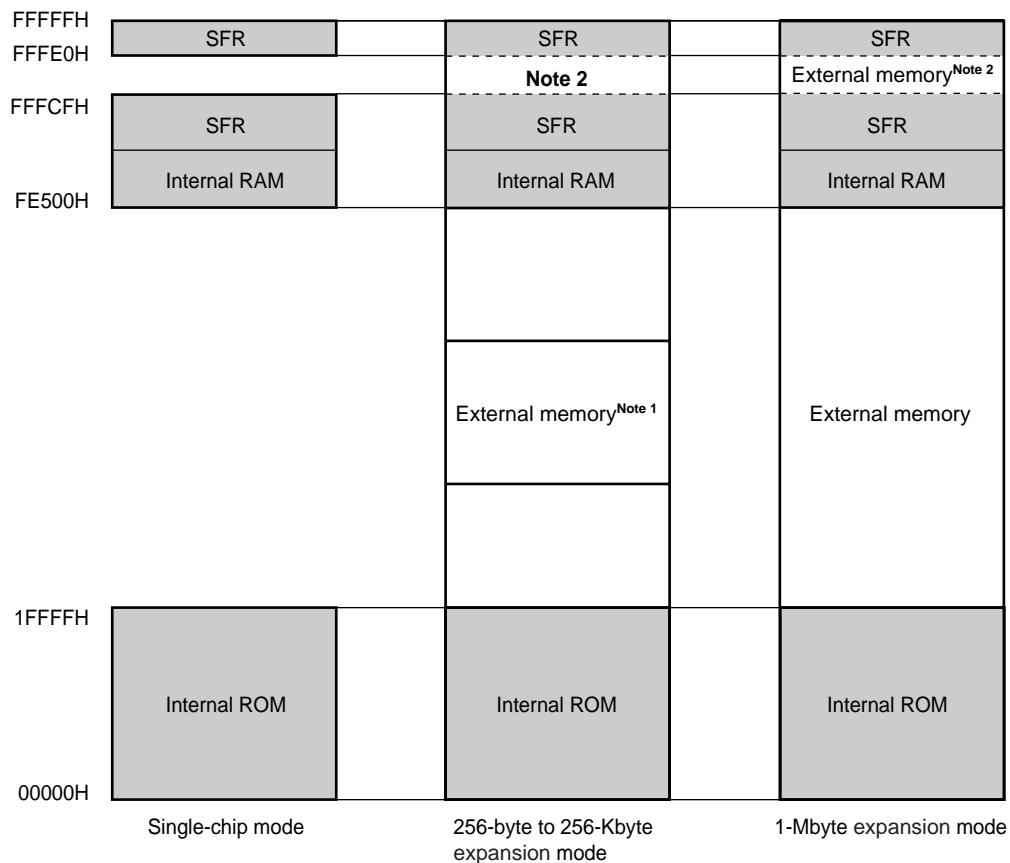
(a) When LOCATION 0 instruction is executed



- Notes 1. Any expansion size area in unshaded part
- 2. External SFR area

Figure 24-3. μ PD784936 Memory Map (2/2)

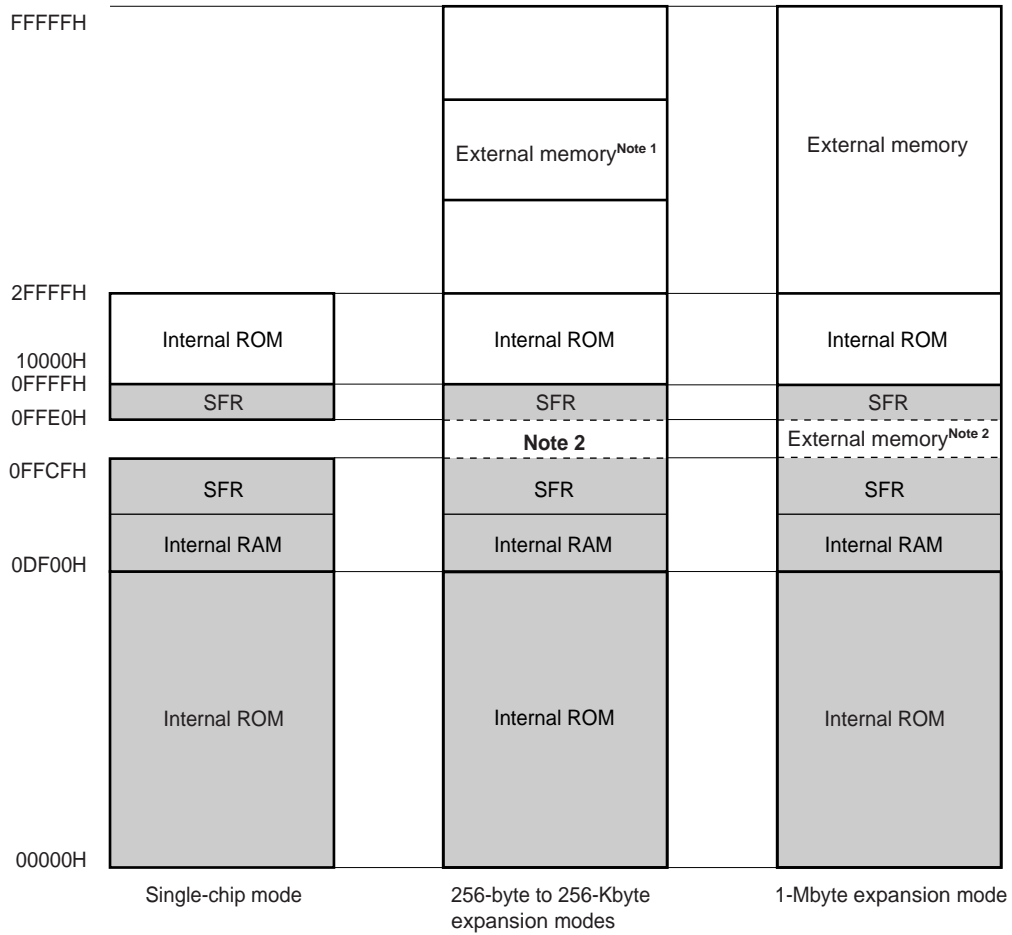
(b) When LOCATION 0FH instruction is executed



- Notes 1. Any expansion size area in unshaded part
- 2. External SFR area

Figure 24-4. μ PD784937 Memory Map (1/2)

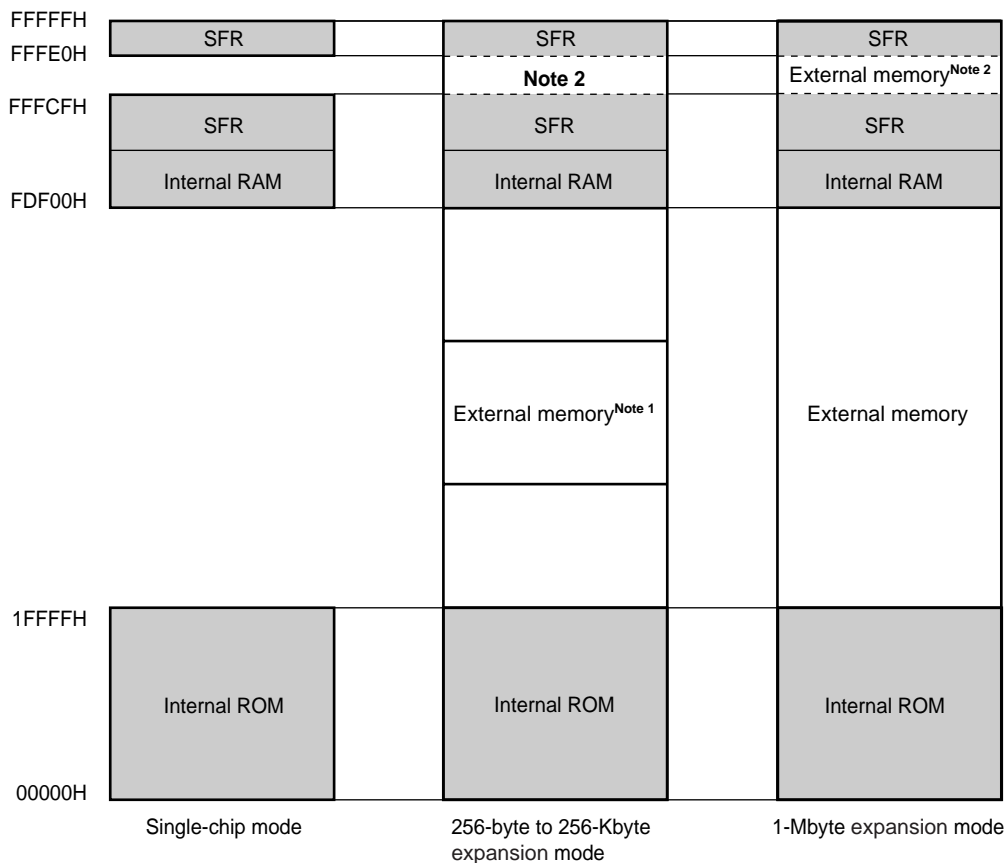
(a) When LOCATION 0 instruction is executed



- Notes 1. Any expansion size area in unshaded part
- 2. External SFR area

Figure 24-4. μ PD784937 Memory Map (2/2)

(b) When LOCATION 0FH instruction is executed

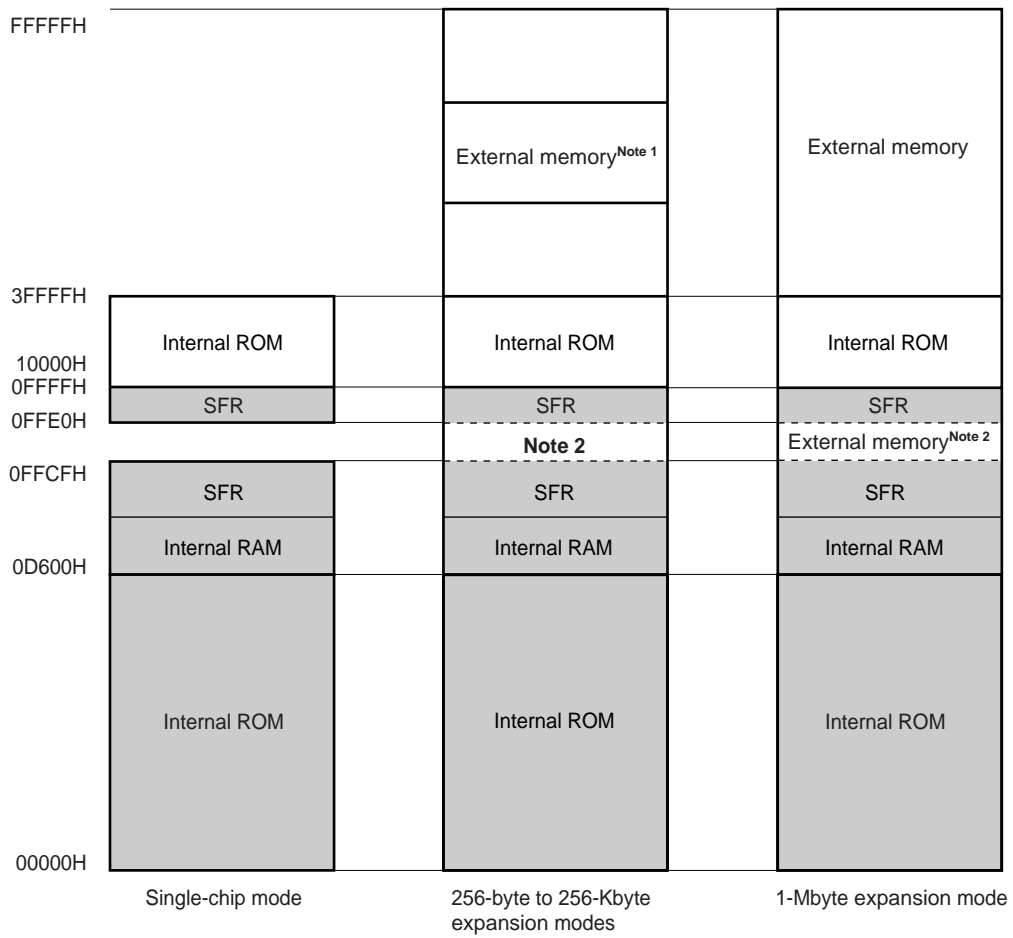


Notes 1. Any expansion size area in unshaded part

2. External SFR area

Figure 24-5. μ PD784938 Memory Map (1/2)

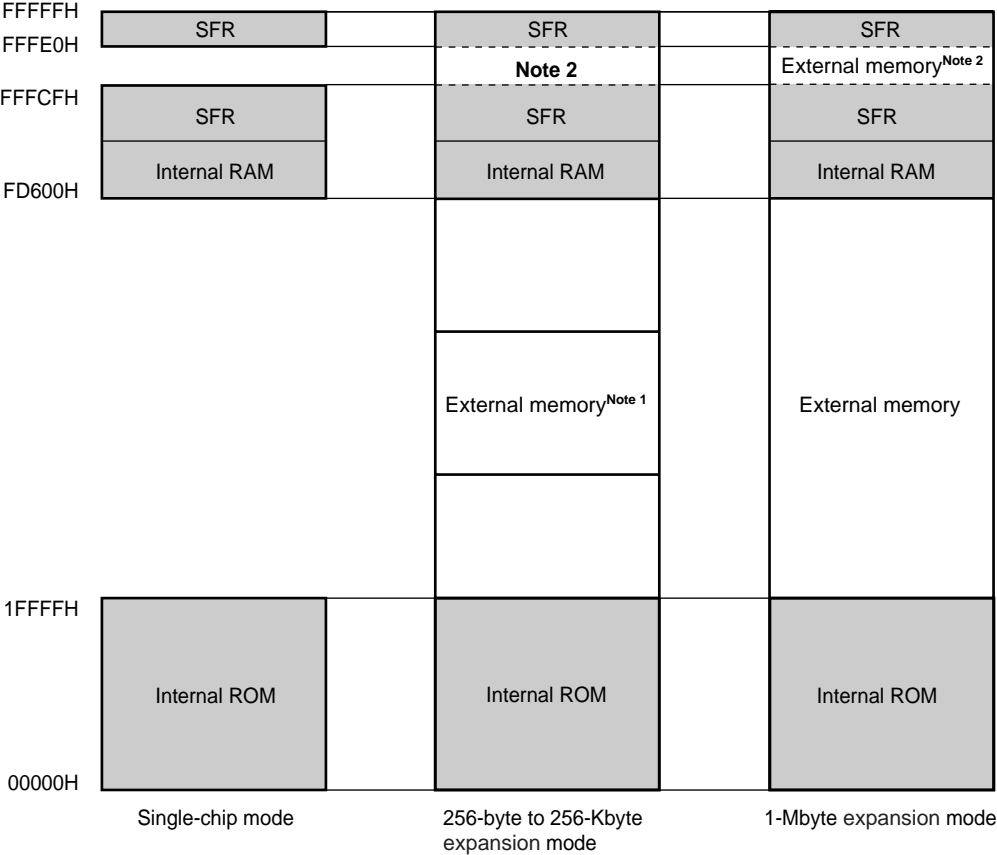
(a) When LOCATION 0 instruction is executed



- Notes 1. Any expansion size area in unshaded part
- 2. External SFR area

Figure 24-5. μ PD784938 Memory Map (2/2)

(b) When LOCATION 0FH instruction is executed



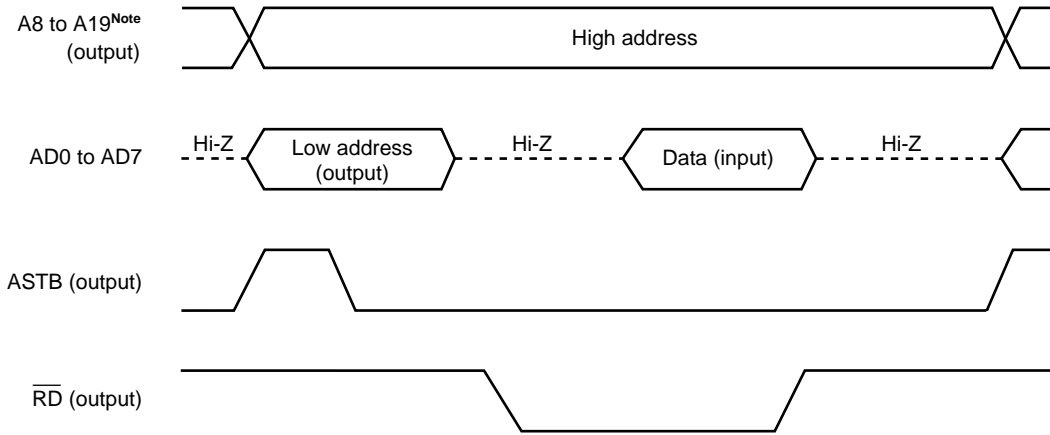
- Notes 1. Any expansion size area in unshaded part
- 2. External SFR area

24.1.3 Basic operation of local bus interface

The local bus interface accesses external memory using \overline{ASTB} , \overline{RD} , \overline{WR} , an address/data bus (AD0 to AD7), and address bus (A8 to A19). When the local bus interface is used, P64, P65, and port 4 automatically operate as \overline{RD} , \overline{WR} and AD0 to AD7. On the address bus, only the pins that correspond to the expansion memory size operate as address bus pins.

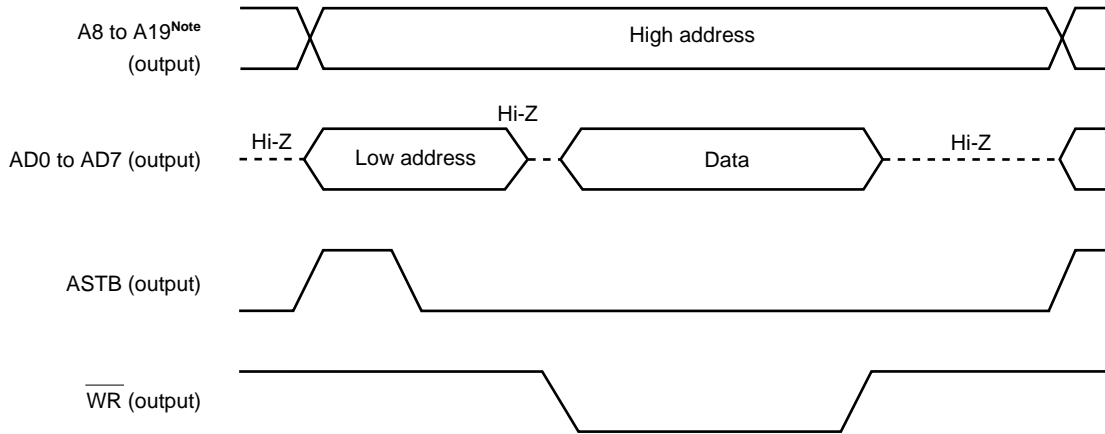
An outline of the memory access timing is shown in Figures 24-6 and 24-7.

Figure 24-6. Read Timing



Note The number of address bus pins used depends on the expansion mode size.

Figure 24-7. Write Timing



Note The number of address bus pins used depends on the expansion mode size.

24.2 Wait Function

When a low-speed memory or I/O is connected externally to the μ PD784938, waits can be inserted in the external memory access cycle.

There are two kinds of wait cycle, an address wait for securing the address decoding time, and an access wait for securing the access time.

24.2.1 Wait function control registers

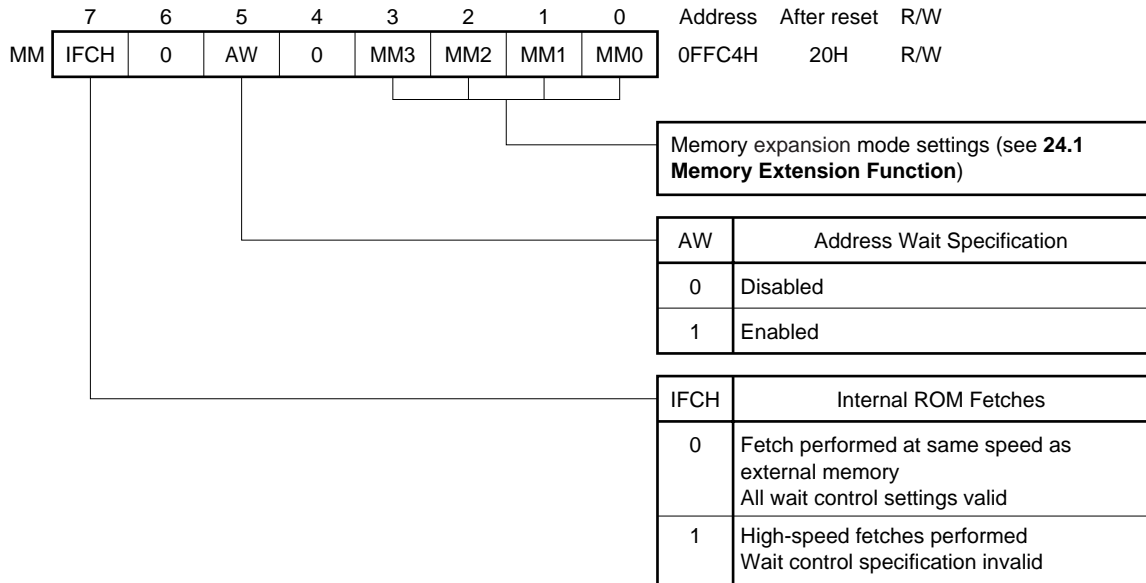
(1) Memory expansion mode register (MM)

The IFCH bit of MM performs wait control setting for internal ROM accesses, and the AW bit performs address wait setting.

MM can be read or written to with an 8-bit manipulation instruction. The MM format is shown in Figure 24-8.

When $\overline{\text{RESET}}$ is input, MM is set to 20H, the same cycle as for external memory is used for internal ROM accesses, and the address wait function is validated.

Figure 24-8. Memory Expansion Mode Register (MM) Format



(2) Programmable wait control registers (PWC1/PWC2)

PWC1 and PWC2 specify the number of waits.

PWC1 is an 8-bit register that divides the space from 0 to FFFFH into four, and specifies wait control for each of these four spaces. PWC2 is a 16-bit register that divides the space from 10000H to FFFFH into four, and specifies wait control for each of these four spaces.

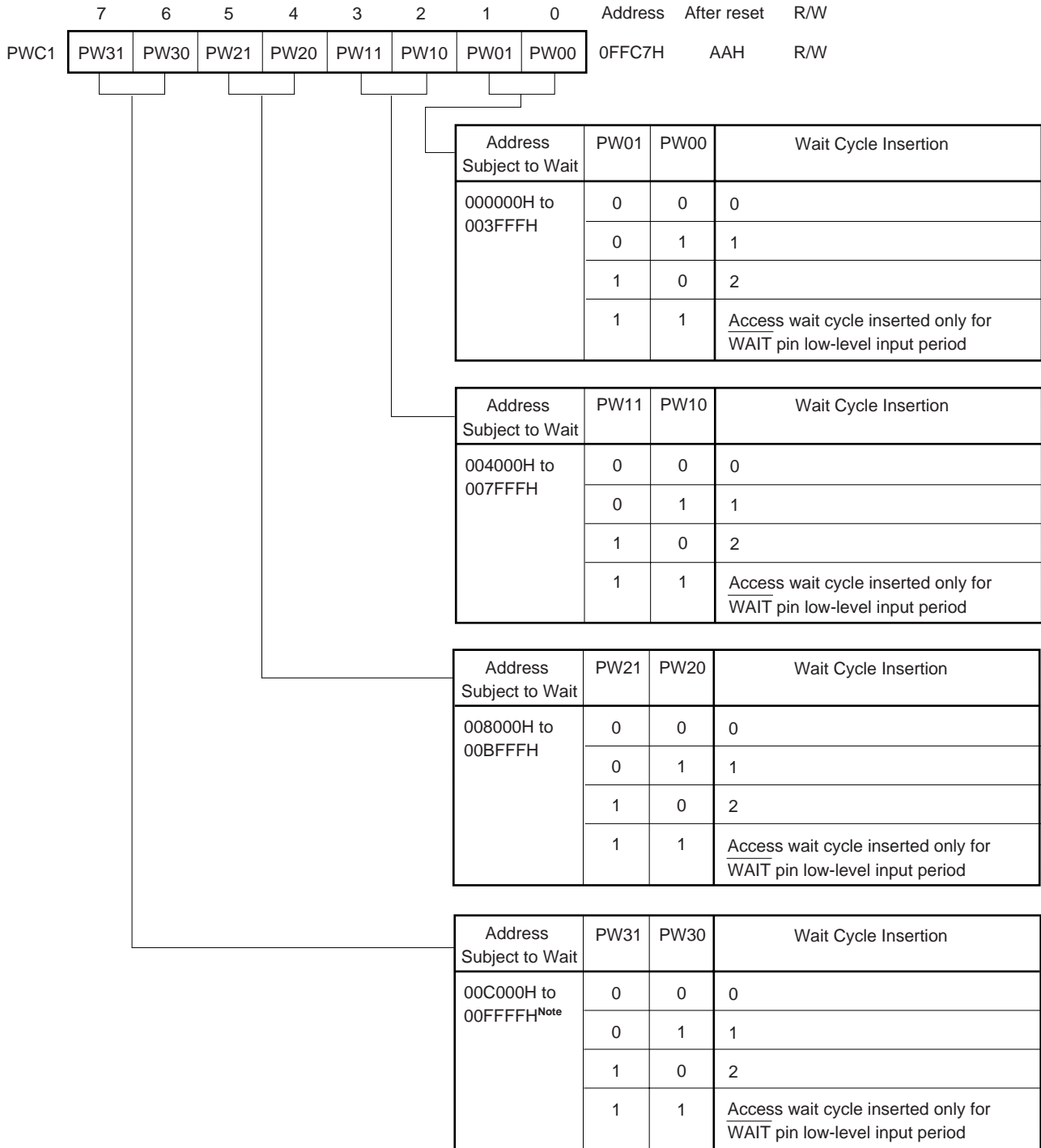
PWC1 can be read or written to with an 8-bit manipulation instruction, and PWC2 with a 16-bit manipulation instruction. The PWC1 and PWC2 formats are shown in Figure 24-9.

The high-order 8 bits of PWC2 are fixed at AAH, and therefore ensure that the high-order 8 bits are set to AAH.

When RESET is input, PWC1 is set to AAH, and PWC2 to AAAAH, and 2-wait insertion is performed on the entire space.

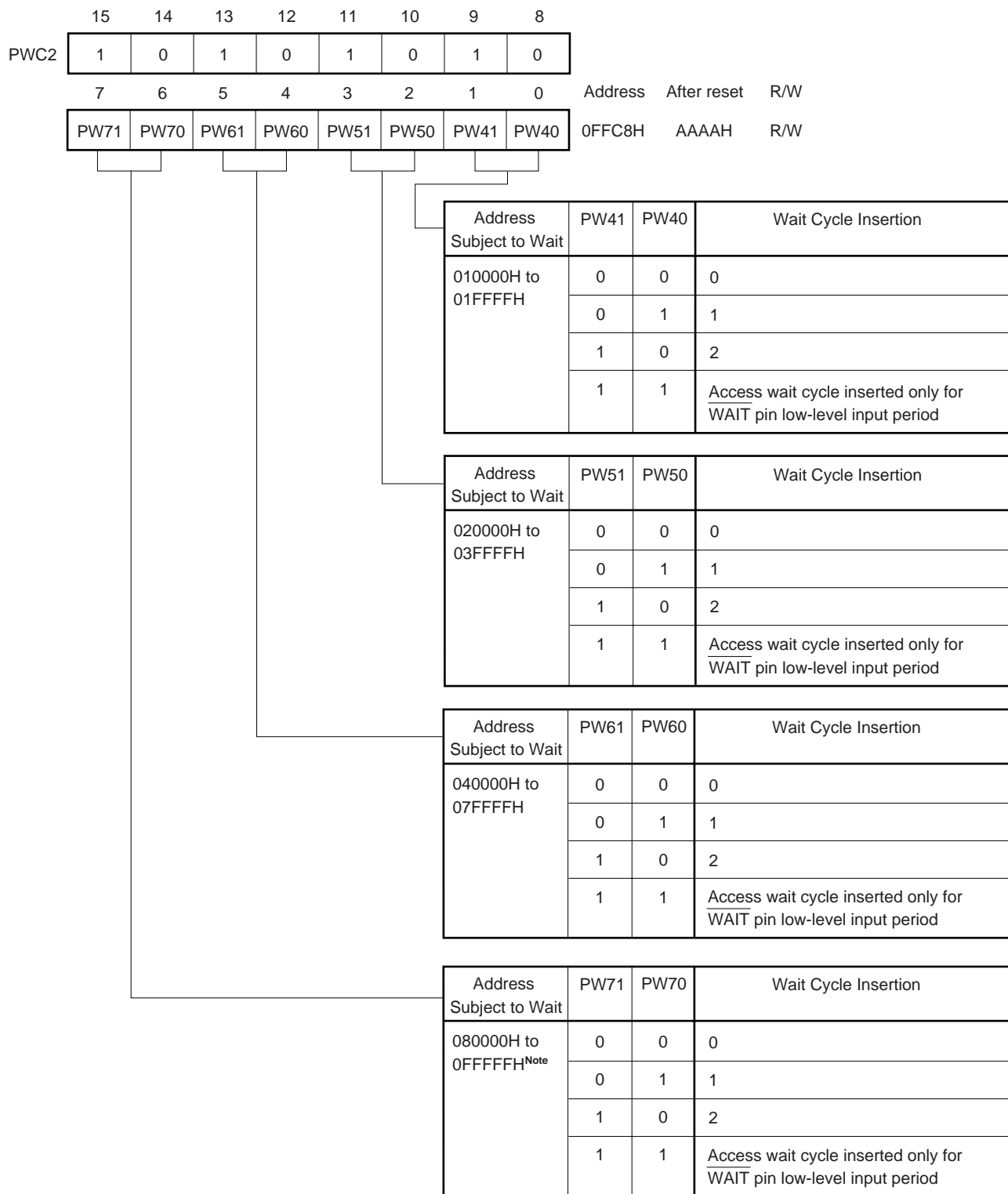
Figure 24-9. Programmable Wait Control Register (PWC1/PWC2) Format

(a) Programmable wait control register 1 (PWC1)



Note Except part overlapping internal data area

(b) Programmable wait control register 2 (PWC2)



Note Except part overlapping internal data area

Caution When the bus hold function is used, access wait control cannot be performed by means of the WAIT pin, and 0, 1, or 2 waits must be selected for the entire space.

24.2.2 Address waits

Address waits are used to secure the address decoding time. If the AW bit of the memory expansion mode register (MM) is set (to 1), waits are inserted in every memory access^{Note}. When an address wait is inserted, the high-level period of the ASTB signal is extended by one system clock cycle (80 ns: $f_{CLK} = 12.58 \text{ MHz}$).

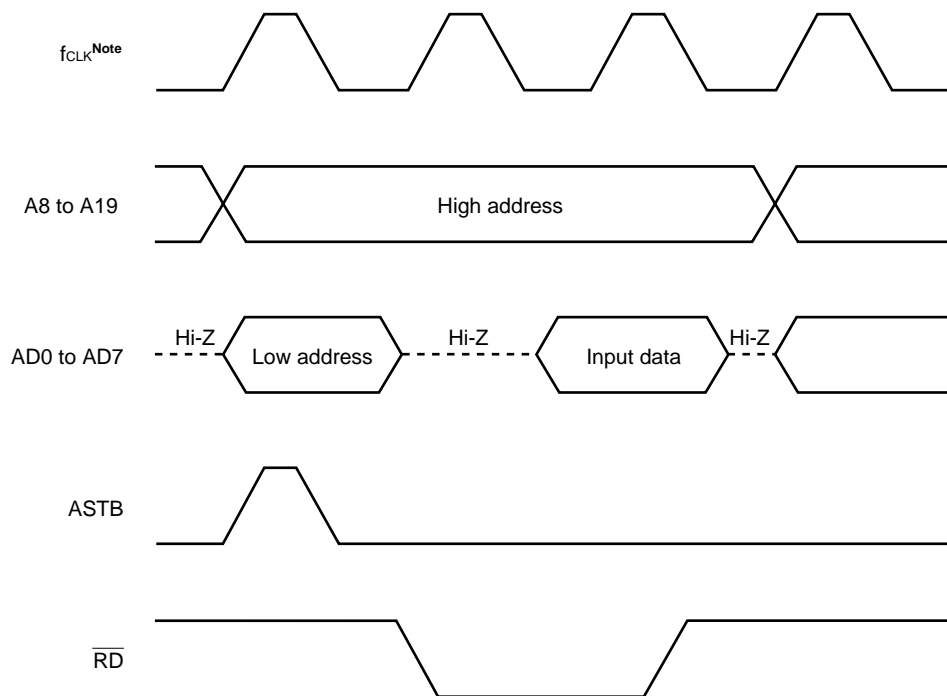
Note Except for the internal RAM, internal SFRs, and internal ROM during high-speed fetch.

If it is specified that the internal ROM is accessed in the same cycle as the external ROM, an address wait state is inserted even when the internal ROM is accessed.

Caution If the pseudo-static RAM refresh function is used when the address wait function is used, the refresh pulse is output and, at the same time, the memory is accessed. Therefore, do not use the pseudo-static RAM refresh function when using the address wait function.

Figure 24-10. Address Wait Function Read/Write Timing (1/3)

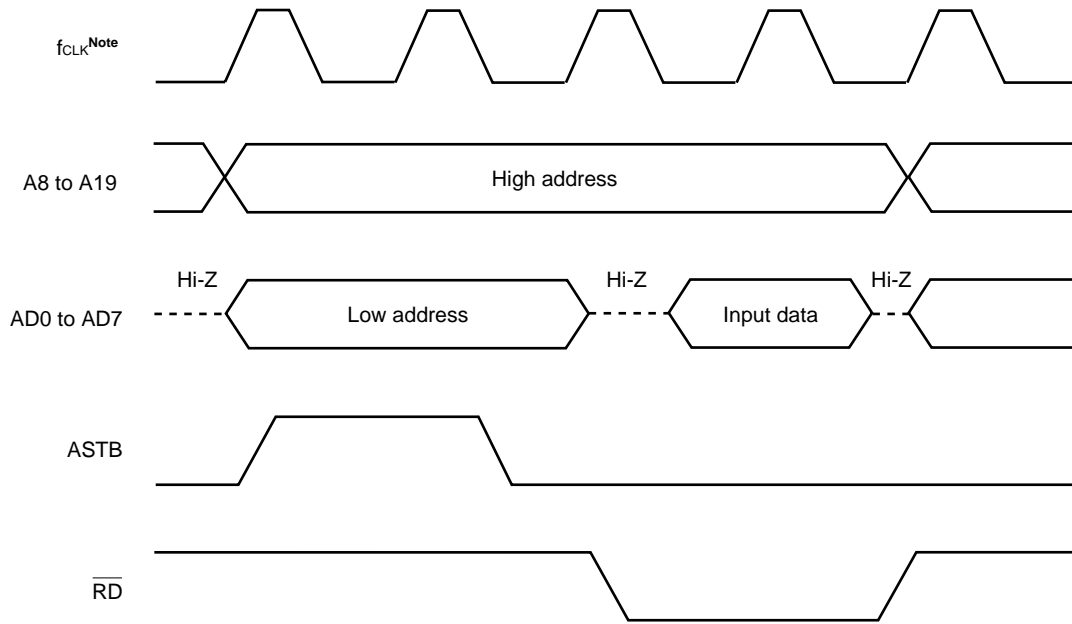
(a) Read timing with no address wait insertion



Note f_{CLK} : Internal system clock frequency. This signal is present inside the μ PD784938 only.

Figure 24-10. Address Wait Function Read/Write Timing (2/3)

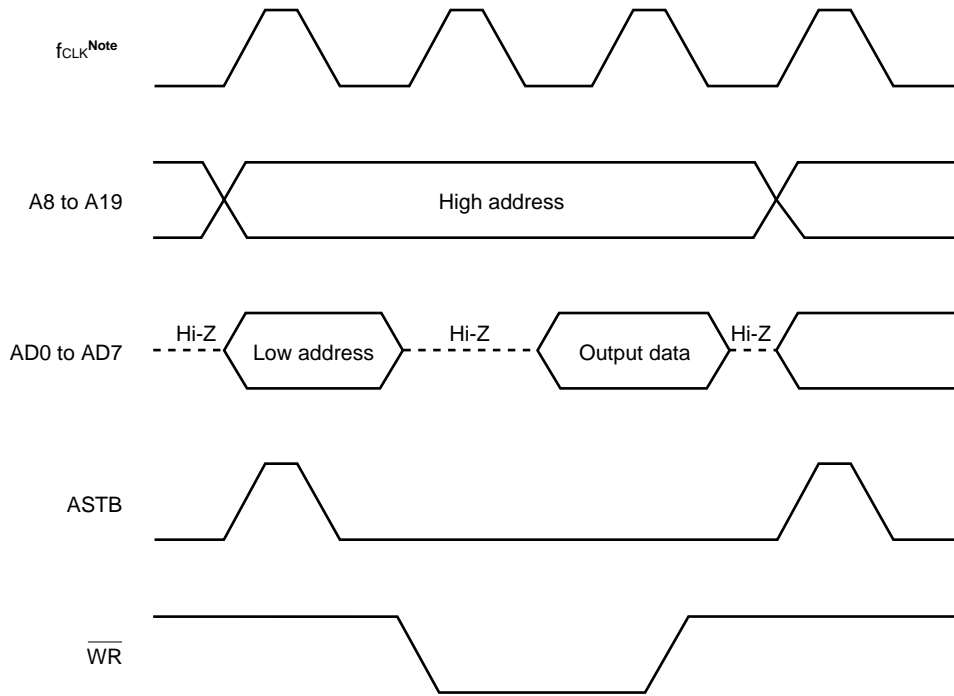
(b) Read timing with address wait insertion



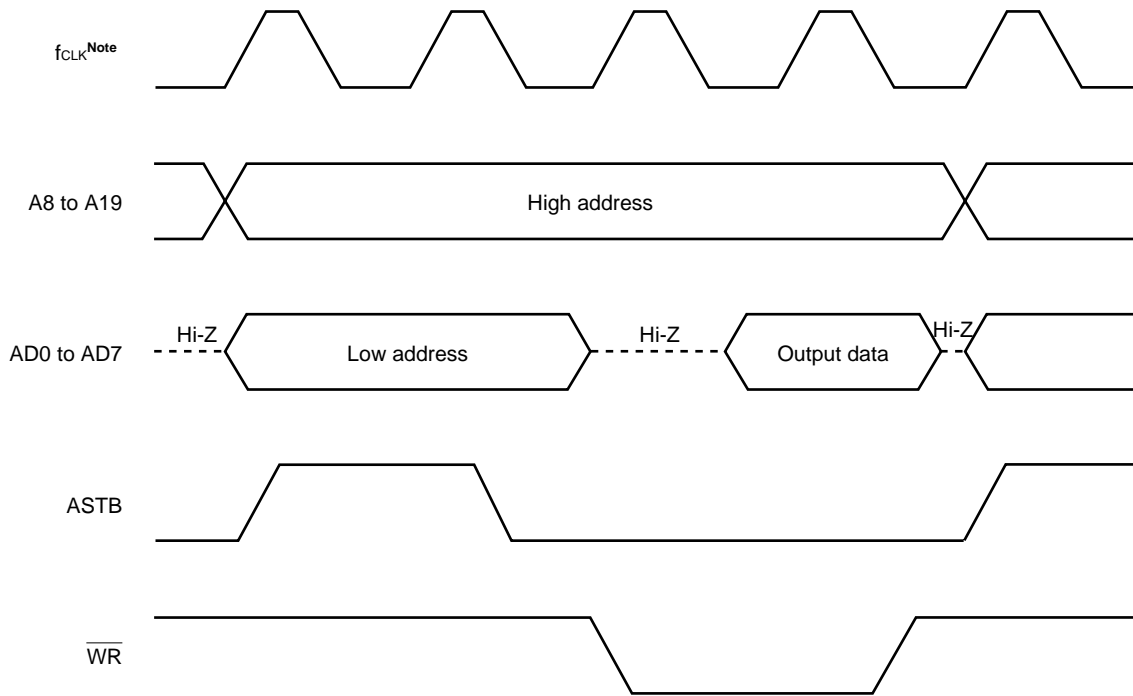
Note fCLK: Internal system clock frequency. This signal is present inside the μ PD784938 only.

Figure 24-10. Address Wait Function Read/Write Timing (3/3)

(c) Write timing with no address wait insertion



(d) Write timing with address wait insertion



Note fCLK: Internal system clock frequency. This signal is present inside the μ PD784938 only.

24.2.3 Access waits

Access waits are inserted in the \overline{RD} or \overline{WR} signal low-level period, and extend the low-level period by $1/f_{CLK}$ (80 ns: $f_{CLK} = 12.58$ MHz) per cycle.

There are two wait insertion methods, using either the programmable wait function that automatically inserts the preset number of cycles, or the external wait function controlled by a wait signal from outside.

For wait cycle insertion control, the 1-Mbyte memory space is divided into eight as shown in Figure 24-11, and control is specified for each space by means of the programmable wait control registers (PWC1/PWC2). Waits are not inserted in accesses to internal ROM or internal RAM using high-speed fetches. In accesses to internal SFRs, waits are inserted at the necessary times regardless of this specification.

If access operations are specified as being performed in the same number of cycles as for external ROM, waits are inserted also in internal ROM accesses in accordance with the PWC1 settings.

If there is a space for which control by a wait signal from outside has been selected by means of the PWC1/PWC2, the P66 pin operates as the \overline{WAIT} signal input pin. After \overline{RESET} input, the P66 pin operates as a general-purpose input/output port.

Bus timing in the case of access wait insertion is shown in Figures 24-12 to 24-14.

Caution The external wait function cannot be used when the bus hold function is used.

Figure 24-11. Wait Control Spaces

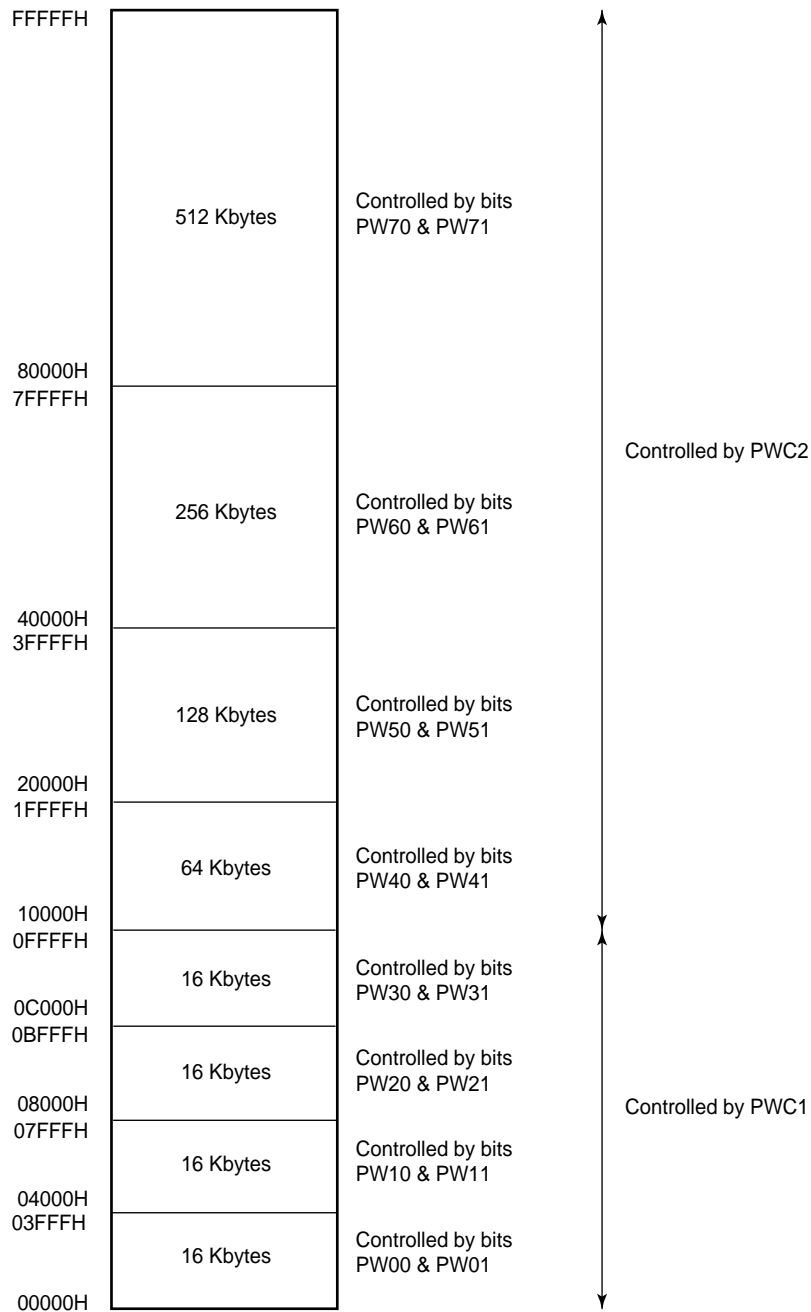
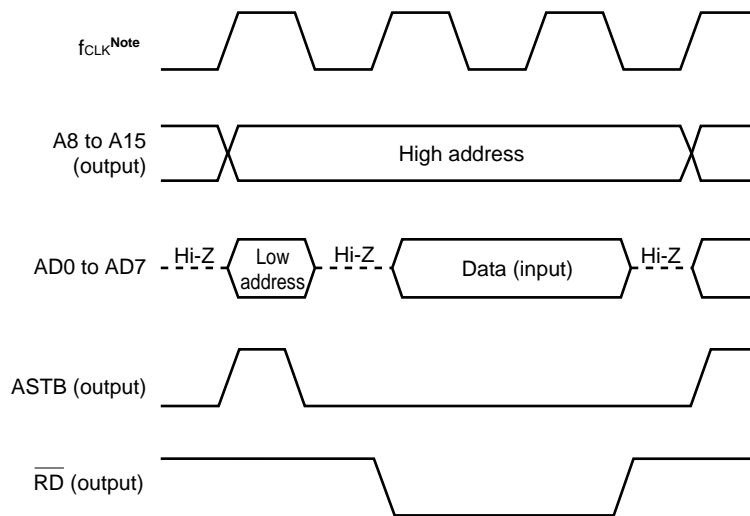
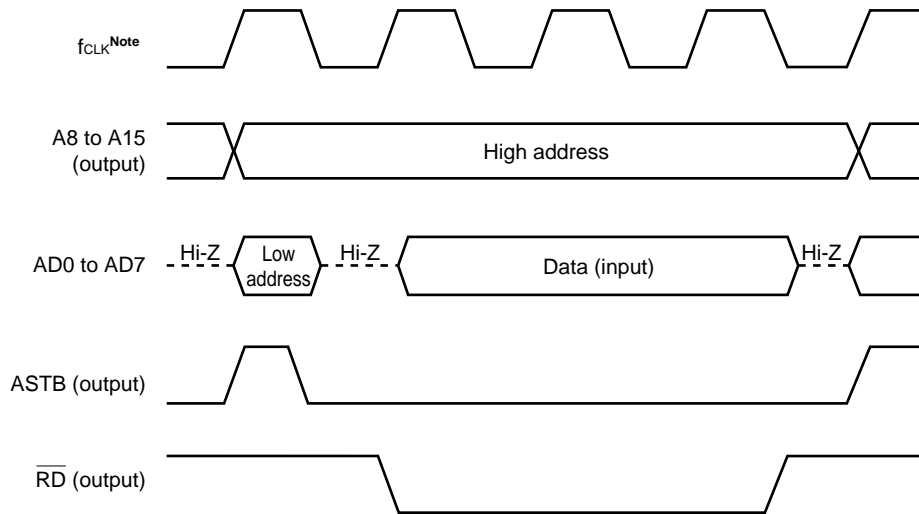


Figure 24-12. Access Wait Function Read Timing (1/2)

(a) 0 wait cycles set



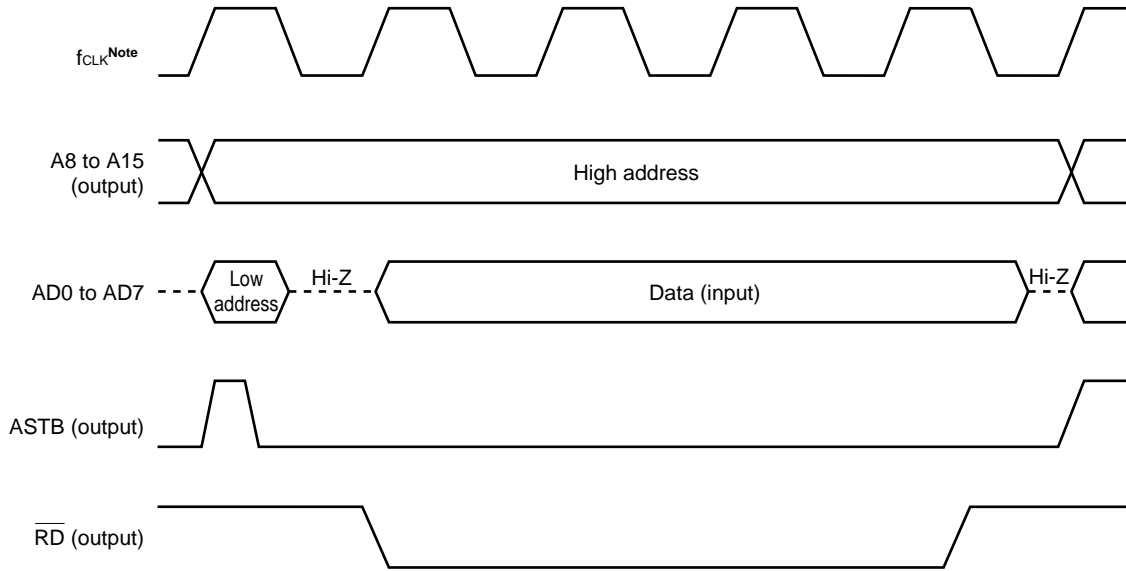
(b) 1 wait cycle set



Note fCLK: Internal system clock frequency. This signal is only present inside the μ PD784938.

Figure 24-12. Access Wait Function Read Timing (2/2)

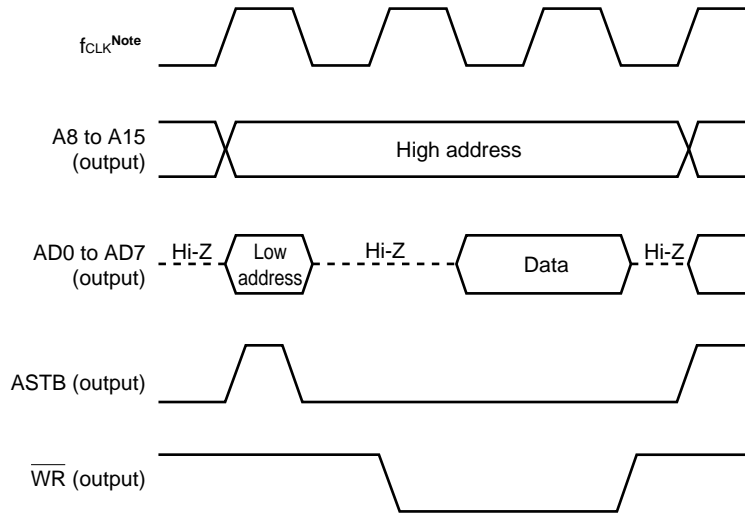
(c) 2 wait cycles set



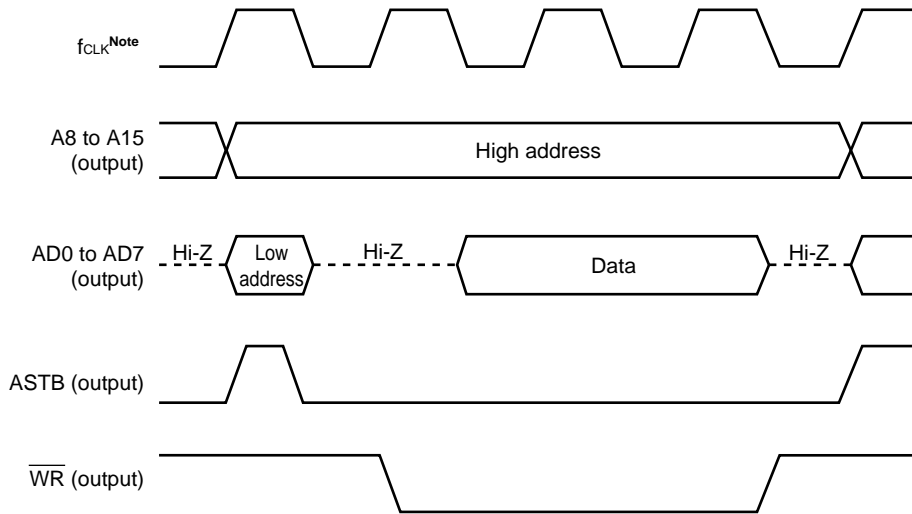
Note f_{CLK}: Internal system clock frequency. This signal is only present inside the μ PD784938.

Figure 24-13. Access Wait Function Write Timing (1/2)

(a) 0 wait cycles set



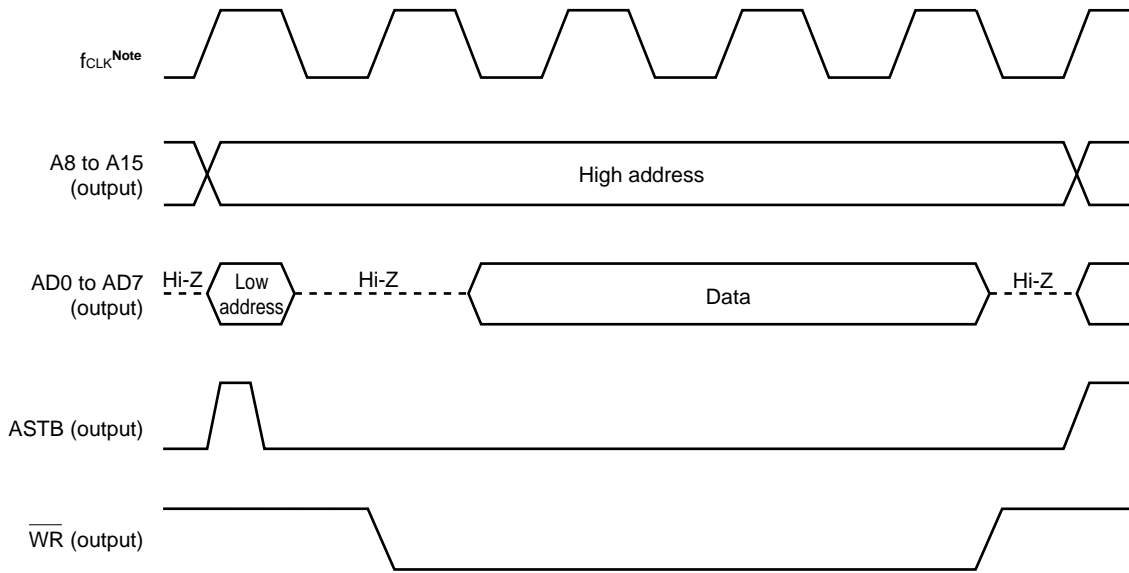
(b) 1 wait cycle set



Note f_{CLK}: Internal system clock frequency. This signal is only present inside the μ PD784938.

Figure 24-13. Access Wait Function Write Timing (2/2)

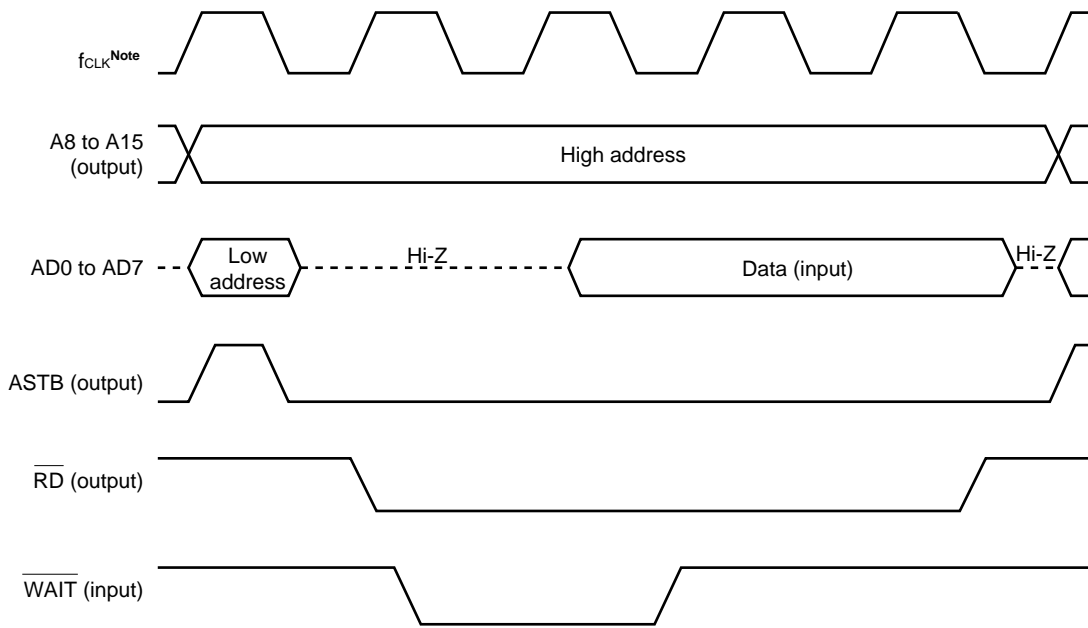
(c) 2 wait cycles set



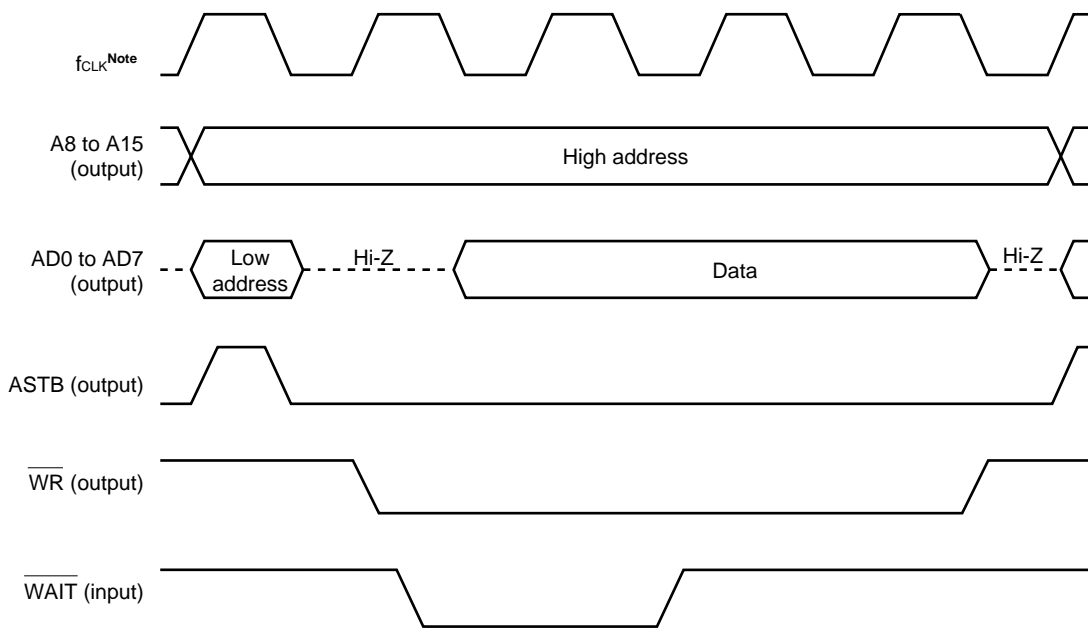
Note f_{CLK}: Internal system clock frequency. This signal is only present inside the μ PD784938.

Figure 24-14. Timing with External Wait Signal

(a) Read timing



(b) Write timing



Note f_{CLK} : Internal system clock frequency. This signal is only present inside the μ PD784938.

24.3 Pseudo-Static RAM Refresh Function

The μ PD784938 incorporates a pseudo-static RAM refresh function for direct connection of pseudo-static RAM.

The pseudo-static RAM refresh function outputs refresh pulses at any desired intervals. The refresh pulse output interval is specified by the refresh mode register (RFM) setting.

The refresh area specification register (RFA) specifies the addresses on which refresh operations can be performed at the same time as memory access operations. This enables bus cycle insertions for refresh operations to be greatly decreased, thus minimizing the reduction in performance due to refresh operations.

The μ PD784938 is provided with a function for supporting self-refresh operations that offers low power consumption by a pseudo-static RAM application system.

- Cautions**
- 1. The refresh function cannot be used when the bus hold function is used.**
 - 2. If the pseudo-static RAM refresh function is used when the address wait function is used, the refresh pulse is output and, at the same time, the memory is accessed. Therefore, do not use the pseudo-static RAM refresh function when using the address wait function.**

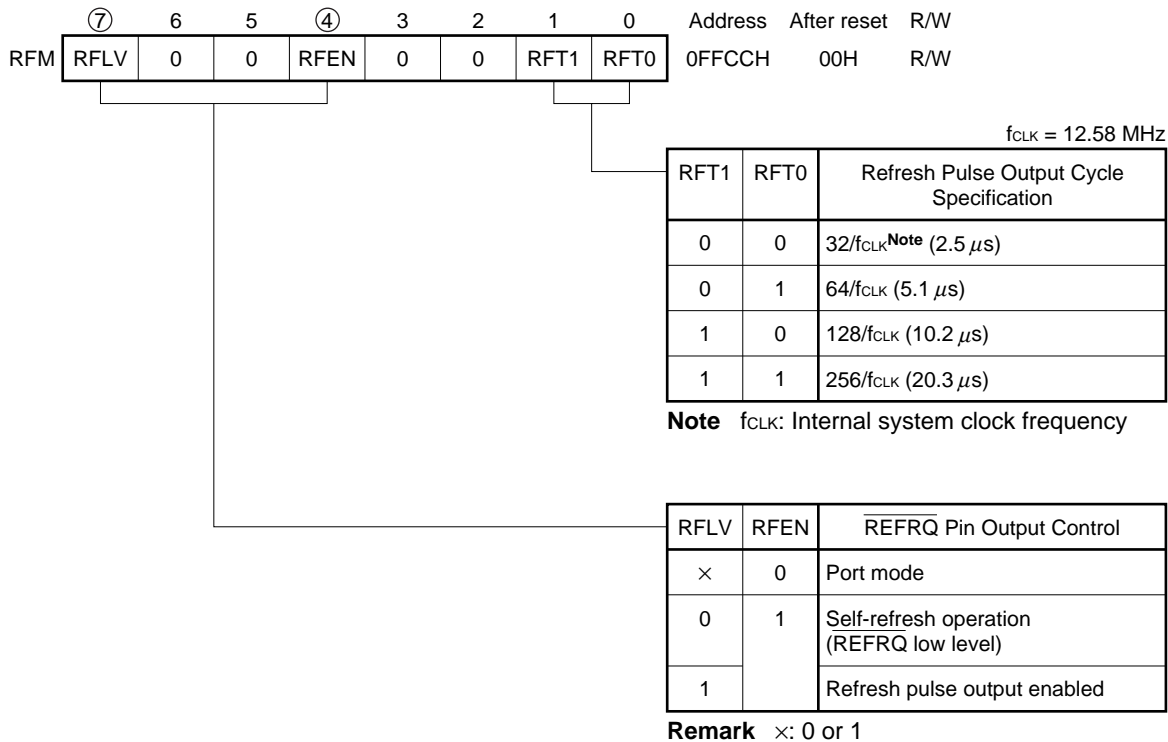
24.3.1 Control registers

(1) Refresh mode register (RFM)

RFM is an 8-bit register that controls the pseudo-static RAM refresh cycle and switching to self-refresh operations. RFM can be read or written to with an 8-bit manipulation instruction or bit manipulation instruction. The RFM format is shown in Figure 24-15.

$\overline{\text{RESET}}$ input clears RFM to 00H and sets the $\overline{\text{REFRQ}}$ pin to port mode, so that it operates as the alternate-function P67 pin.

Figure 24-15. Refresh Mode Register (RFM) Format



Caution The refresh function cannot be used when the bus hold function is used. In this case, ensure that refreshing is specified as disabled.

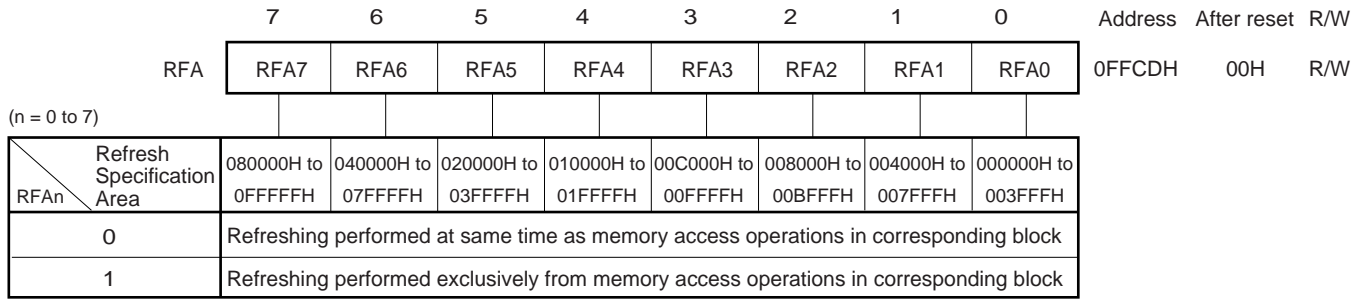
(2) Refresh area specification register (RFA)

RFA is an 8-bit register that specifies the areas on which refresh operations can be performed at the same time as memory access operations.

RFA can be read or written to with an 8-bit manipulation instruction and bit manipulation instruction. The RFA format is shown in Figure 24-16.

$\overline{\text{RESET}}$ input clears RFA to 00H.

Figure 24-16. Refresh Area Specification Register (RFA) Format



24.3.2 Operations

(1) Pulse refresh operation

To support the pulse refresh cycles of pseudo-static RAM, refresh pulses are output from the $\overline{\text{REFRQ}}$ pin in synchronization with bus cycles.

The system clock frequency and bits 1 and 0 (RFT1/RFT0) of the refresh mode register (RFM) are adjusted so that 512 or more refresh pulses are generated in an 8 ms period.

Table 24-1. System Clock Frequency and Refresh Pulse Output Cycle when Pseudo-Static RAM is Used

System Clock Frequency (f _{CLK}) MHz	Refresh Pulse Output Cycle Specification	RFT1	RFT0
8.192 < f _{CLK} ≤ 16	128/f _{CLK}	1	0
4.096 < f _{CLK} ≤ 8.192	64/f _{CLK}	0	1
2.048 < f _{CLK} ≤ 4.096	32/f _{CLK}	0	0

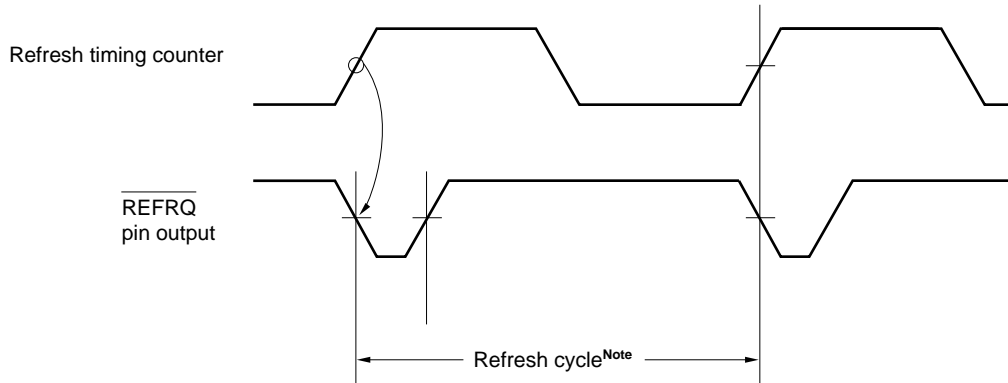
These pulse refresh operations are performed so that they do not overlap external memory access operations. During a refresh cycle, an external memory access cycle is held pending ($\overline{\text{ASTB}}$, $\overline{\text{RD}}$, $\overline{\text{WR}}$, etc. are inactive), and during an external memory access cycle, a refresh cycle is held pending.

If there is no overlapping with an external memory access operation, the refresh cycle is performed without affecting CPU instruction execution.

(a) Internal memory accesses

In the case of internal memory accesses in which the external pseudo-static RAM is not accessed, also, refresh bus cycles are output at the intervals specified by the refresh mode register (RFM) so that the data stored in the pseudo-static RAM is retained. In this case, CPU instruction execution is not affected.

Figure 24-17. Pulse Refresh Operation in Internal Memory Access



Note Cycle specified by the RFT1 and RFT0 bits of the RFM

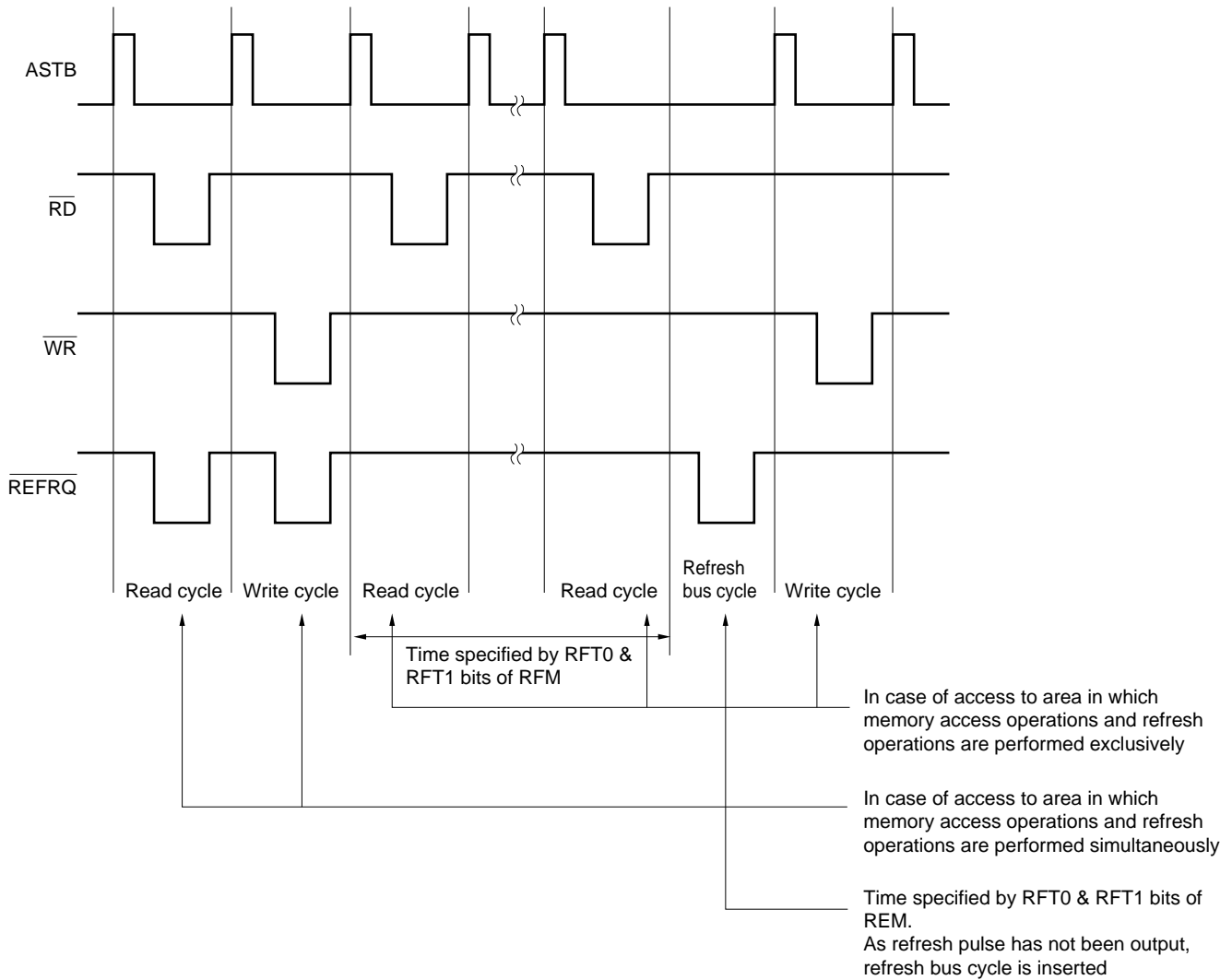
(b) External memory accesses

When an access is made to an address corresponding to a cleared (to 0) bit in the refresh area specification register (RFA), a refresh pulse is always output from the $\overline{\text{REFRQ}}$ pin at the same time as the $\overline{\text{RD}}$ signal or $\overline{\text{WR}}$ signal, irrespective of the cycle specified by the refresh mode register (RFM).

After refresh pulse output, accesses to internal memory or accesses to addresses corresponding to a set (to 1) bit in the RFA continue, and after the time specified by the RFT0 and RFT1 bits of the RFM has elapsed, a refresh bus cycle is generated so as not to overlap a memory access cycle, and a refresh pulse is output.

In this way, refreshing can be performed while memory that does not need refreshing, such as PROM, is being accessed, refresh bus cycle insertions can be reduced, and instruction execution can be performed efficiently.

Figure 24-18. Refresh Pulse Output Operation



(2) Self-refresh operation

This mode is used to retain the contents of pseudo-static RAM in standby mode.

(a) Self-refresh operation mode setting

When bit 4 (RFEN) of the refresh mode (RFM) register is set to "1", and bit 7 (RFLV) to "0", a low level is output from the $\overline{\text{REFRQ}}$ pin, and the self-refresh operation mode is specified for the pseudo-static RAM.

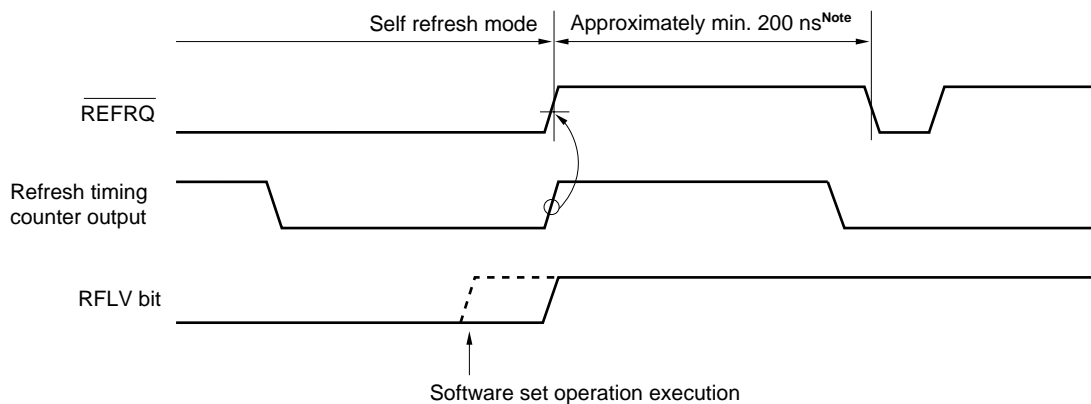
(b) Return from self-refresh operation

Refresh pulse output to the pseudo-static RAM is disabled approximately 200 ns^{Note} after the $\overline{\text{REFRQ}}$ pin output level changes from low to high. Therefore, the $\mu\text{PD784938}$ arranges for refresh pulses not to be output during the disabled time by raising the $\overline{\text{REFRQ}}$ pin in synchronization with the refresh timing counter.

To enable this low-to-high transition of the $\overline{\text{REFRQ}}$ pin level to be recognized, the RFLV bit read level is set (to 1) when the $\overline{\text{REFRQ}}$ pin level changes from low to high.

Note This time varies according to the speed rank, etc. of the pseudo-static RAM.

Figure 24-19. Timing for Return from Self-Refresh Operation



Note Refreshing disabled time

24.4 Bus Hold Function

The bus hold function is provided for the connection of a device that functions as the bus master, such as a DMA controller. In response to a request from the bus master device, all local bus interface pins are set to high impedance (except HLD $\overline{\text{AK}}$), and local bus interface mastership is passed to that device.

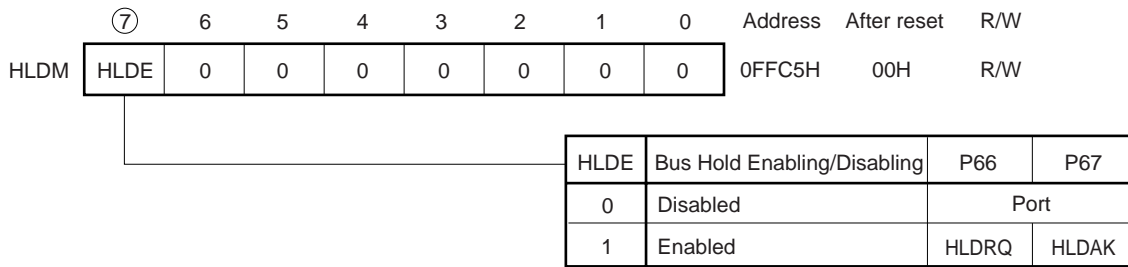
The bus hold function cannot be used when the external wait function or refresh function is used.

24.4.1 Hold mode register (HLDM)

HLDM is an 8-bit register that specifies enabling/disabling of the bus hold function. HLDM format is shown in Figure 24-20.

When $\overline{\text{RESET}}$ is input, HLDM is cleared to 00H, so that the bus hold function is disabled. The HLDRQ and HLD $\overline{\text{AK}}$ pins are set to port mode and operate as the P66 and P67 pins.

Figure 24-20. Hold Mode Register (HLDM) Format



Caution The bus hold function must be disabled when the external wait function or refresh function is used.

24.4.2 Operation

When the HLDE bit of the hold mode register (HLDM) is set (to 1), the bus hold function is enabled. When the bus hold function is enabled, pins P66 and P67 operate as the HLDRQ and HLDK pins respectively. The HLDRQ pin becomes high-impedance, and the HLDK pin outputs a low-level signal.

If a high-level signal is input to the HLDRQ pin when the bus hold function is enabled, at the end of the access operation being executed the address bus (A8 to A19), address/data bus (AD0 to AD7), \overline{RD} , \overline{WR} , and ASTB pins are all set to high-impedance, the HLDK pin output level is driven high, and the hold mode is established.

While the HLDK pin is high (in the hold mode) the μ PD784938 does not use the local bus interface, and therefore an external DMA controller, etc. is free to access the memory.

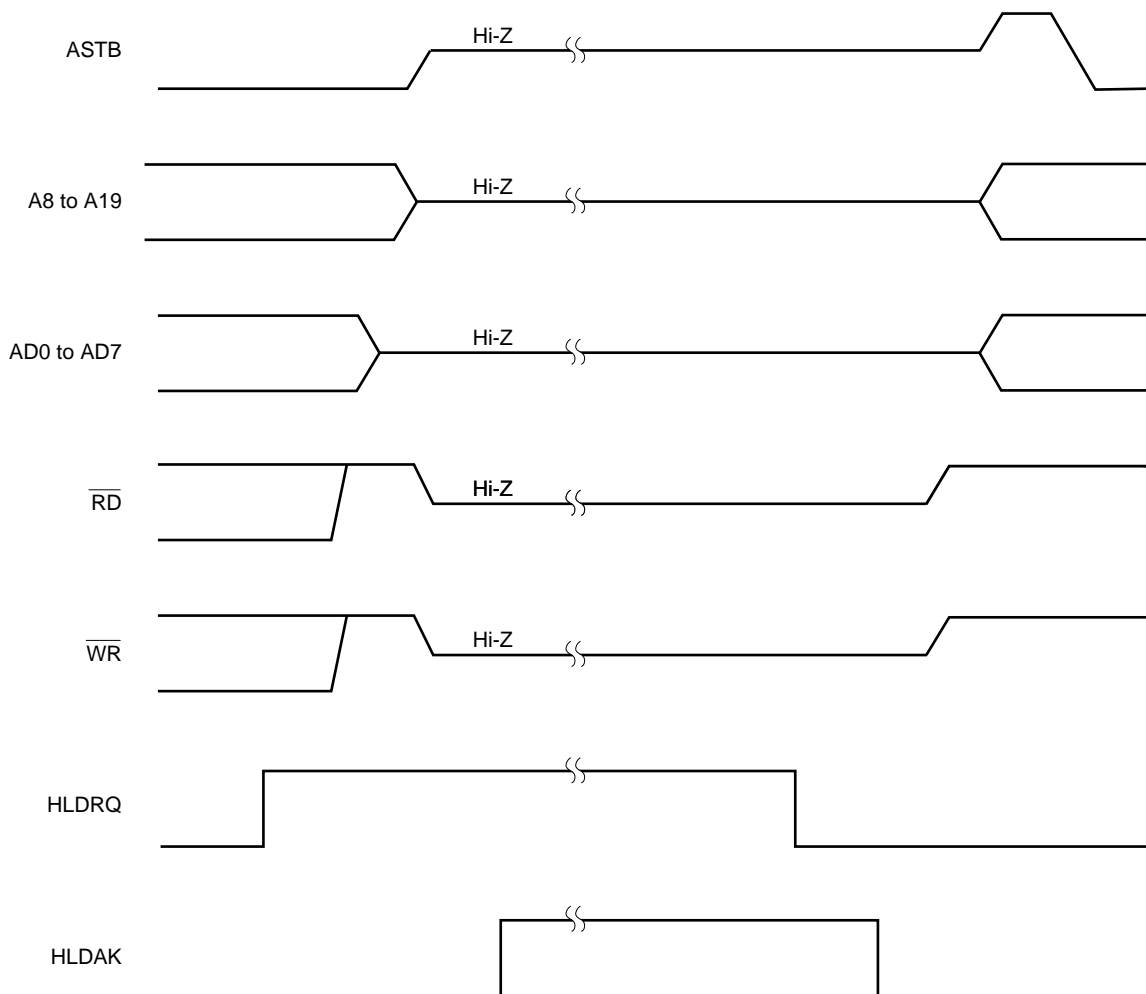
When the HLDRQ pin input level changes from high to low, the hold mode is released, the HLDK pin level changes from high to low, and then the μ PD784938 resumes use of the local bus.

A transition to the hold mode is performed between bus cycles, and the instruction being executed may be suspended.

Also, if a transition to the hold mode is made during execution of an instruction that does not use the local bus interface when a program is fetched from the external memory, the μ PD784938 continues execution of prefetched instructions until it comes to an instruction that uses the local bus interface, and suspends instruction execution when there are no more prefetched instructions. When the hold mode is released, execution of the suspended instruction is resumed from the point at which it was suspended.

When a program is fetched from the internal ROM or RAM, execution of instructions until it comes to an instruction that uses the local bus interface continues.

Figure 24-21. Hold Mode Timing



24.5 Cautions

- (1) When the bus hold function is used, the external wait function cannot be used (access wait control by means of the $\overline{\text{WAIT}}$ pin), and 0, 1, or 2 waits must be selected for the entire space.
- (2) The refresh function cannot be used when the bus hold function is used. In this case, ensure that refreshing is specified as disabled.
- (3) Do not set external wait to the internal ROM area. Otherwise, the CPU may be in the deadlock status which can be cleared only by reset input.
- (4) If the pseudo-static RAM refresh function is used when the address wait function is used, the refresh pulse is output and, at the same time, the memory is accessed. Therefore, do not use the pseudo-static RAM refresh function when using the address wait function.
Conversely do not use the address wait function when the pseudo-static RAM refresh function is used.

CHAPTER 25 STANDBY FUNCTION

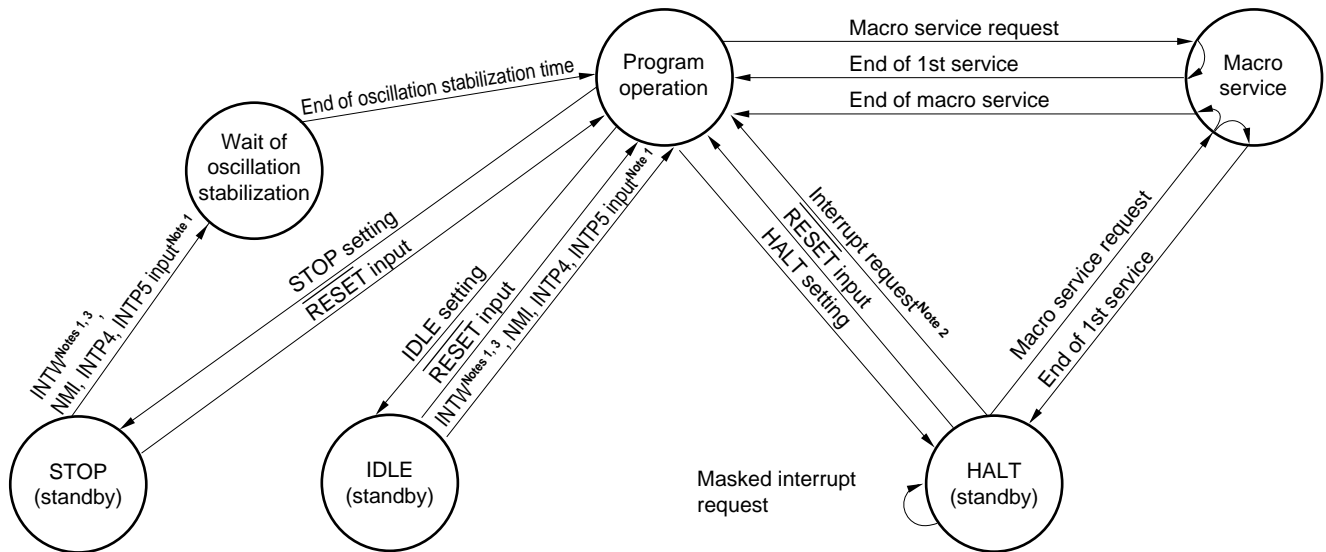
25.1 Configuration and Function

The μ PD784938 has a standby function that enables the system power consumption to be reduced. The standby function includes three modes as follows:

- HALT mode.....In this mode the CPU operating clock is stopped. Intermittent operation in combination with the normal operation mode enables the total system power consumption to be reduced.
- IDLE mode.....In this mode the oscillator continues operating while the entire remainder of the system is stopped. Normal program operation can be restored at a low power consumption close to that of the STOP mode and in a time equal to that of the HALT mode.
- STOP mode.....In this mode the oscillator is stopped and the entire system is stopped. Ultra-low power consumption can be achieved, consisting of leakage current only.

These modes are set by software. The standby mode (STOP/IDLE/HALT mode) transition diagram is shown in Figure 25-1, and the standby function block diagram in Figure 25-2.

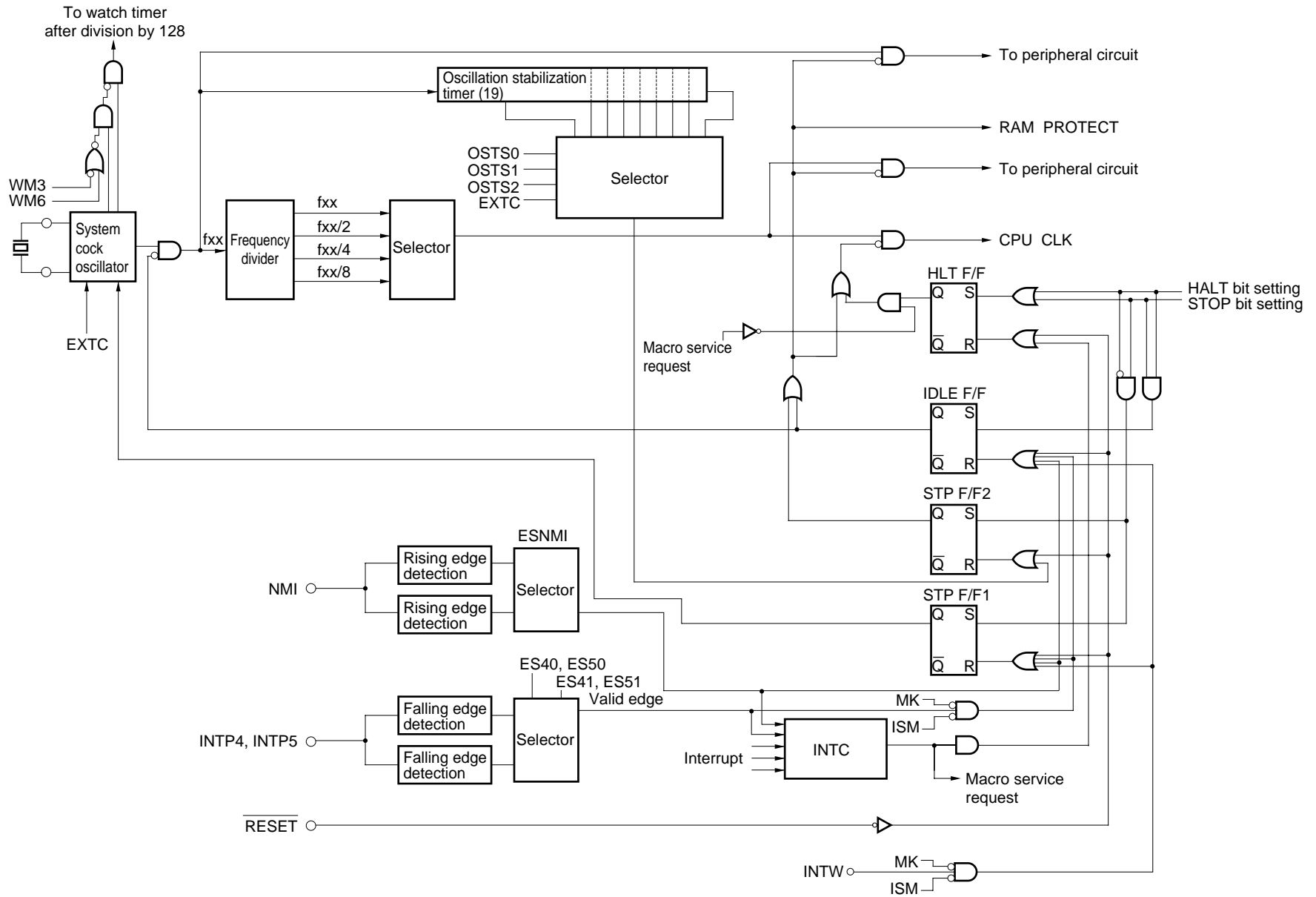
Figure 25-1. Standby Mode Transition Diagram



- Notes**
1. When INTW, INTP4, and INTP5 are not masked
 2. Unmasked interrupt request only
 3. At subclock operation

Remark Only external input is valid as NMI. The watchdog timer must not be used to release the standby mode (STOP, IDLE, or HALT mode)

Figure 25-2. Standby Function Block Diagram



25.2 Control Registers

25.2.1 Standby control register (STBC)

STBC is used to select the STOP mode setting and the internal system clock.

To prevent entry into standby mode due to an inadvertent program loop, STBC can only be written to with a dedicated instruction. This dedicated instruction, MOV STBC, #byte, has a special code configuration (4 bytes), and a write is only performed if the 3rd and 4th bytes of the operation code are mutual complements of 1.

If the 3rd and 4th bytes of the operation code are not mutual complements of 1, a write is not performed and an operand error interrupt is generated. In this case, the return address saved in the stack area is the address of the instruction that was the source of the error, and thus the address that was the source of the error can be identified from the return address saved in the stack area.

If recovery from an operand error is simply performed by means of an RETB instruction, an endless loop will result.

As an operand error interrupt is only generated in the event of an inadvertent program loop (with the NEC assembler, RA78K4, only the correct dedicated instruction is generated when MOV STBC, #byte is written), system initialization should be performed by the program.

Other write instructions (MOV STBC, A, AND STBC, #byte, SET1 STBC.7, etc.) are ignored and do not perform any operation. That is, a write is not performed to STBC, and an interrupt such as an operand error interrupt is not generated.

STBC can be read at any time by a data transfer instruction.

RESET input sets STBC to 30H.

The format of STBC is shown in Figure 25-3.

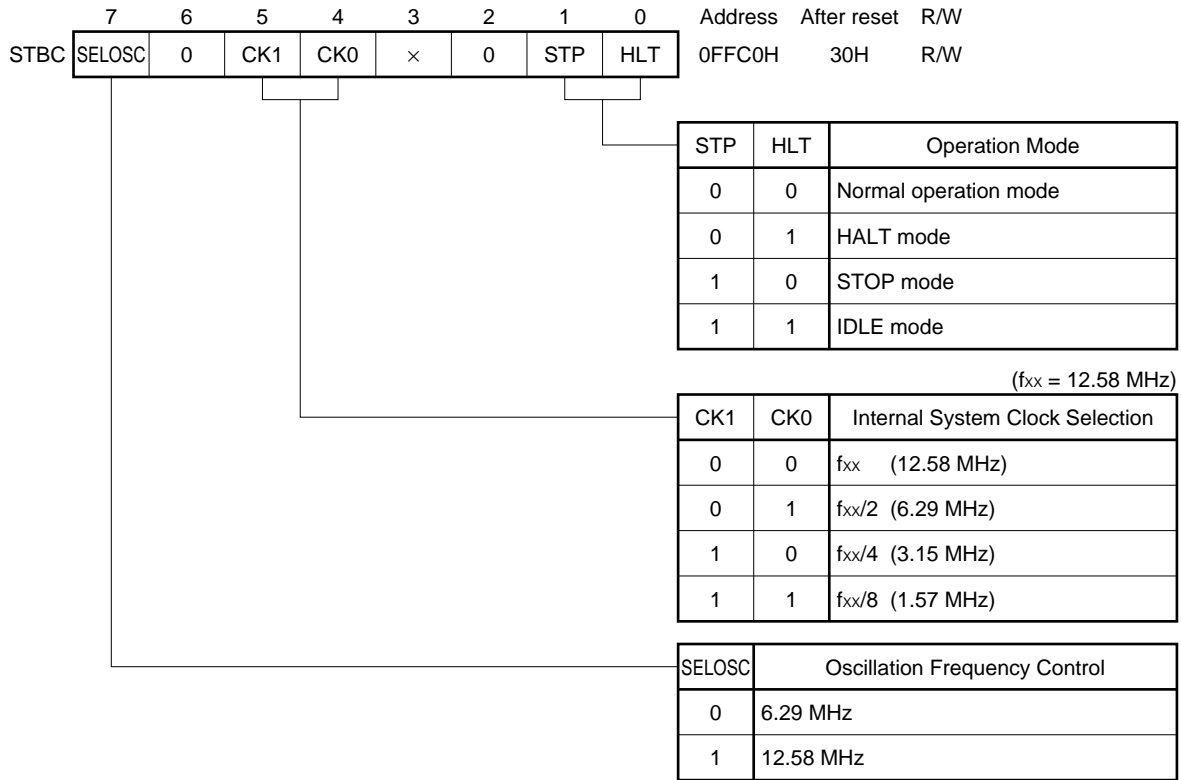
Caution Be sure to use a program that executes a NOP instruction three times to set the standby mode.

```

      :
      :
Example  MOV STBC, #byte; Sets standby mode
            NOP
            NOP
            NOP
            :
            :

```

Figure 25-3. Standby Control Register (STBC) Format



- Cautions**
1. The SELOSC bit must be overwritten after performing the next setting.
 - Stop the IEBus (Set bit 7 (ENIEBUS) of the bus control register (BCR) to “0”.)
 - If the watch timer is operated with the main clock selected, stop the watch timer (Set bit 3 (WM3) of the watch timer mode register (WM) to “0”.)
 2. If the above settings are not performed, the IEBus and watch timer may perform incorrectly.

25.2.2 Oscillation stabilization time specification register (OSTS)

OSTS specifies the oscillator operation and the oscillation stabilization time when STOP mode is released. The EXTC bit of OSTS specifies whether crystal/ceramic oscillation or an external clock is used. STOP mode can be set when external clock input is used only when the EXTC bit is set (to 1).

Bits OSTS0 to OSTS2 of OSTS select the oscillation stabilization time when STOP mode is released. In general, an oscillation stabilization time of at least 40 ms should be selected when a crystal resonator is used, and at least 4 ms when a ceramic oscillator is used.

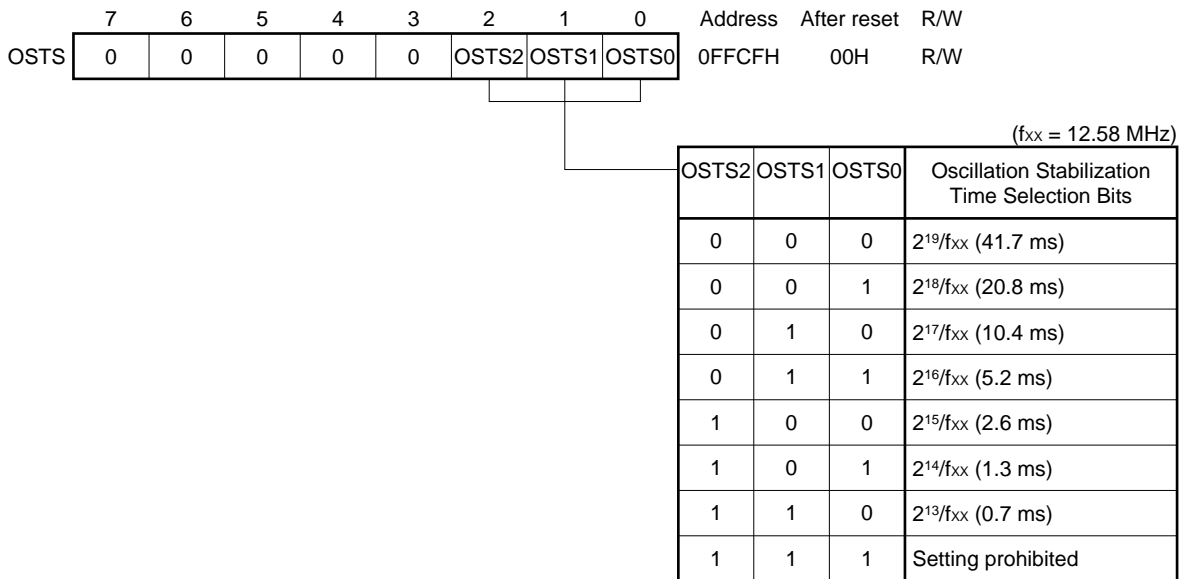
The time taken for oscillation stabilization is affected by the crystal resonator or ceramic resonator used, and the capacitance of the connected capacitor. Therefore, if you want to set a short oscillation stabilization time, you should consult the crystal resonator or ceramic resonator manufacturer.

OSTS can be written to only with an 8-bit transfer instruction.

$\overline{\text{RESET}}$ input clears OSTS to 00H.

The format of OSTS is shown in Figure 25-4.

Figure 25-4. Oscillation Stabilization Time Specification Register (OSTS) Format



Caution When using the regulator (Refer to CHAPTER 5 REGULATOR), set a value of at least 10.4 ms, taking in consideration the regulator output stabilization time.

25.3 HALT Mode

25.3.1 HALT mode setting and operating status

The HALT mode is selected by setting (to 1) the HLT bit of the standby control (STBC) register.

The only writes that can be performed on STBC are 8-bit data writes by means of a dedicated instruction. HALT mode setting is therefore performed by means of the “MOV STBC, #byte” instruction.

Caution If HALT mode setting is performed when a condition that releases HALT mode is in effect, HALT mode is not entered, and execution of the next instruction, or a branch to a vectored interrupt service program, is performed. To ensure that a definite HALT mode setting is made, interrupt requests should be cleared (to 0), etc. before entering HALT mode.

Table 25-1. Operating Status in HALT Mode

Clock oscillator		Operating
Internal system clock		Operating
CPU		Operation stopped ^{Note}
I/O lines		Retain status prior to HALT mode setting
Peripheral functions		Continue operating
Internal RAM		Retained
Bus lines	AD0 to AD7	High-impedance
	A8 to A19	Retained
\overline{RD} , \overline{WR} output		High level
ASTB output		Low level
\overline{REFRQ} output		Continue operating
HLDRQ input		Continue operating (input)
HLDAK output		Continue operating

Note Macro service processing is executed.

25.3.2 HALT mode release

HALT mode can be released by the following three sources.

- Non-maskable interrupt request
- Maskable interrupt request (vectored interrupt/context switching/macro service)
- \overline{RESET} input

Release sources and an outline of operations after release are shown in Table 25-2.

Table 25-2. HALT Mode Release and Operations after Release

Release Source	MK ^{Note 1}	IE ^{Note 2}	State on Release	Operation after Release
RESET input	×	×	—	Normal reset operation
Non-maskable interrupt request (NMI pin input/watchdog timer)	×	×	<ul style="list-style-type: none"> Non-maskable interrupt service program not being executed Low-priority non-maskable interrupt service program being executed 	Interrupt request acknowledgment
			<ul style="list-style-type: none"> Service program for same request being executed High-priority non-maskable interrupt service program being executed 	Execution of instruction after MOV STBC, #byte instruction (interrupt request that released HALT mode is held pending ^{Note 3})
Maskable interrupt request (excluding macro service request)	0	1	<ul style="list-style-type: none"> Interrupt service program not being executed Low-priority maskable interrupt service program being executed PRSL bit^{Note 4} cleared (to 0) during execution of priority level 3 interrupt service program 	Interrupt request acknowledgment
			<ul style="list-style-type: none"> Same-priority maskable interrupt service program being executed (If PRSL bit^{Note 4} is cleared (to 0), excluding execution of priority level 3 interrupt service program) High-priority interrupt service program being executed 	Execution of instruction after MOV STBC, #byte instruction (interrupt request that released HALT mode is held pending ^{Note 3})
	0	0	—	
	1	×	—	HALT mode maintained
Macro service request	0	×	—	Macro service processing execution End condition not established → HALT mode again End condition established → If VCIE ^{Note 5} = 1: HALT mode again If VCIE ^{Note 5} = 0: Same as release by maskable interrupt request
			1	×

- Notes**
1. Interrupt mask bit in individual interrupt request source
 2. Interrupt enable flag in program status word (PSW)
 3. Pending interrupt requests are acknowledged when acknowledgment becomes possible.
 4. Bit in interrupt mode control register (IMC)
 5. Bit in macro service mode register of macro service control word in individual macro service request source

(1) Release by non-maskable interrupt

When a non-maskable interrupt is generated, the μ PD784938 is released from HALT mode irrespective of whether the interrupt acknowledgment enabled state (EI) or disabled state (DI) is in effect.

When the μ PD784938 is released from HALT mode, if the non-maskable interrupt that released HALT mode can be acknowledged, acknowledgment of that non-maskable interrupt is performed and a branch is made to the service program. If the interrupt cannot be acknowledged, the instruction following the instruction that set the HALT mode (the MOV STBC, #byte instruction) is executed, and the non-maskable interrupt that released the HALT mode is acknowledged when acknowledgment becomes possible. See **23.6 Non-maskable Interrupt Acknowledgment Operation** for details of non-maskable interrupt acknowledgment.

(2) Release by maskable interrupt request

HALT mode release by a maskable interrupt request can only be performed by an interrupt for which the interrupt mask flag is 0.

When HALT mode is released, if an interrupt can be acknowledged when the interrupt request enable flag (IE) is set (to 1), a branch is made to the interrupt service program. If the interrupt cannot be acknowledged and if the IE flag is cleared (to 0), execution is resumed from the instruction following the instruction that set the HALT mode. See **23.7 Maskable Interrupt Acknowledgment Operation** for details of interrupt acknowledgment.

With macro service, HALT mode is released temporarily, service is performed once, then HALT mode is restored. When macro service has been performed the specified number of times, HALT mode is released if the VCIC bit in the macro service mode register of the macro service control word is cleared (to 0). The operation after release in this case is the same as for release by a maskable interrupt described earlier. If the VCIE bit is set (to 1), the HALT mode is entered again and is released by the next interrupt request.

Table 25-3. HALT Mode Release by Maskable Interrupt Request

Release Source	MK ^{Note 1}	IE ^{Note 2}	State on Release	Operation after Release
Maskable interrupt request (excluding macro service request)	0	1	<ul style="list-style-type: none"> Interrupt service program not being executed Low-priority maskable interrupt service program being executed PRSL bit^{Note 4} cleared (to 0) during execution of priority level 3 interrupt service program 	Interrupt request acknowledgment
			<ul style="list-style-type: none"> Same-priority maskable interrupt service program being executed (If PRSL bit^{Note 4} is cleared (to 0), excluding execution of priority level 3 interrupt service program) High-priority interrupt service program being executed 	Execution of instruction after MOV STBC, #byte instruction (interrupt request that released HALT mode is held pending ^{Note 3})
	0	0	—	
	1	×	—	HALT mode maintained
Macro service request	0	×	—	Macro service processing execution End condition not established → HALT mode again End condition established → If VCIE ^{Note 5} = 1: HALT mode again If VCIE ^{Note 5} = 0: Same as release by maskable interrupt request
			1	×

- Notes**
1. Interrupt mask bit in individual interrupt request source
 2. Interrupt enable flag in program status word (PSW)
 3. Pending interrupt requests are acknowledged when acknowledgment becomes possible.
 4. Bit in interrupt mode control register (IMC)
 5. Bit in macro service mode register of macro service control word in individual macro service request source

(3) Release by $\overline{\text{RESET}}$ input

The program is executed after branching to the reset vector address, as in a normal reset operation. However, internal RAM contents retain their value directly before HALT mode was set.

25.4 STOP Mode

25.4.1 STOP mode setting and operating status

The STOP mode is selected by setting (to 1) the STP bit of the standby control register (STBC) register.

The only writes that can be performed on STBC are 8-bit data writes by means of a dedicated instruction. STOP mode setting is therefore performed by means of the “MOV STBC, #byte” instruction.

Caution If the STOP mode is set when the condition to release the HALT mode is satisfied (refer to 25.3.2 HALT mode release), the STOP mode is not set, but the next instruction is executed or execution branches to a vectored interrupt service program. To accurately set the STOP mode, clear the interrupt request before setting the STOP mode.

Table 25-4. Operating Status in STOP Mode

Clock oscillator		Oscillation stopped
Internal system clock		Stopped
CPU		Operation stopped
I/O lines		Retain state prior to STOP mode setting
Peripheral functions		All operation stopped ^{Note}
Internal RAM		Retained
Bus lines	AD0 to AD7	High-impedance
	A8 to A19	High-impedance
$\overline{\text{RD}}$, $\overline{\text{WR}}$ output		High-impedance
ASTB output		High-impedance
$\overline{\text{REFRQ}}$ output		Retained
HLDRQ input		High-impedance
HLDAK output		Low level

Note A/D converter operation is stopped, but if the CS bit of the A/D converter mode register (ADM) is set (to 1), the current consumption does not decrease.

Cautions 1. If the STOP mode is set when the EXTC bit of the oscillation stabilization time specification (OSTS) register is cleared (to 0), the X1 pin is shorted internally to V_{SS} (GND potential) to suppress clock generator leakage. Therefore, when the STOP mode is used in a system that uses an external clock, the EXTC bit of OSTS must be set (to 1). If STOP mode setting is performed in a system to which an external clock is input when the EXTC bit of OSTS is cleared (to 0), the μ PD784938 may suffer damage or reduced reliability.

When setting the EXTC bit of OSTS to 1, be sure to input a clock in phase reverse to that of the clock input to the X1 pin, to the X2 pin (refer to 4.3.1 Clock oscillator).

2. The CS bit of the A/D converter mode (ADM) register should be cleared (to 0).

25.4.2 STOP mode release

STOP mode is released by NMI input, INTP4 input, INTP5 input, INTW input, and RESET input.

Table 25-5. STOP Mode Release and Operations after Release

Release Source	MK ^{Note 1}	ISM ^{Note 2}	IE ^{Note 3}	State after Release	Operation after Release		
RESET input	×	×	×	—	Normal reset operation		
NMI pin input	×	×	×	<ul style="list-style-type: none"> Non-maskable interrupt service program not being executed Low-priority non-maskable interrupt service program being executed 	Interrupt request acknowledgment		
				<ul style="list-style-type: none"> NMI pin input service program being executed High-priority non-maskable interrupt service program being executed 	Execution of instruction after MOV STBC, #byte instruction (interrupt request that released STOP mode is held pending ^{Note 4})		
INTP4/INTP5 pin input, INTW input	0	0	1	<ul style="list-style-type: none"> Interrupt service program not being executed Low-priority maskable interrupt service program being executed PRSL bit^{Note 5} cleared (to 0) during execution of priority level 3 interrupt service program 	Interrupt request acknowledgment		
				<ul style="list-style-type: none"> Same-priority maskable interrupt service program being executed (If PRSL bit^{Note 5} is cleared (to 0), excluding execution of priority level 3 interrupt service program) High-priority interrupt service program being executed 	Execution of instruction after MOV STBC, #byte instruction (interrupt request that released STOP mode is held pending ^{Note 4})		
			0	0	0	—	
			1	0	×	—	STOP mode maintained
			×	1	×		

- Notes**
1. Interrupt mask bit in individual interrupt request source
 2. Macro service enable flag in individual interrupt request source
 3. Interrupt enable flag in program status word (PSW)
 4. Pending interrupt requests are acknowledged when acknowledgment becomes possible.
 5. Bit in interrupt mode control register (IMC)

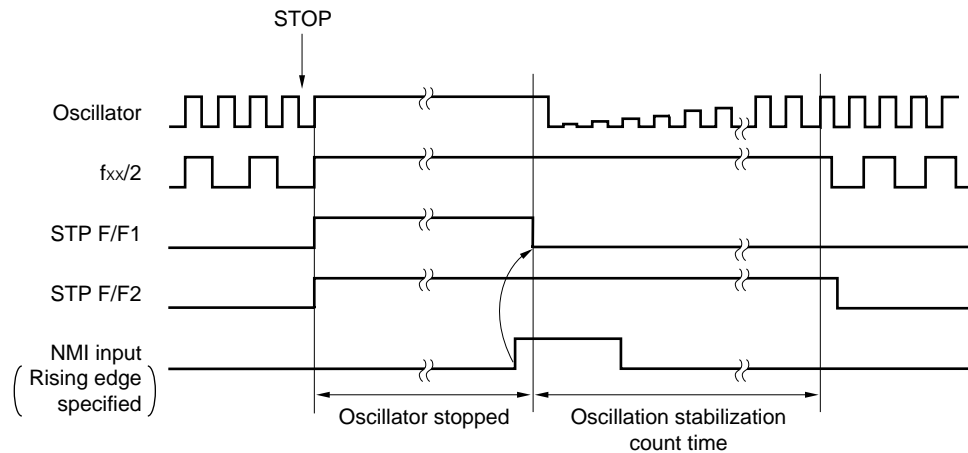
(1) STOP mode release by NMI input

The oscillator resumes oscillation when the valid edge specified by external interrupt mode register 0 (INTM0) is input to the NMI input. STOP mode is released after the oscillation stabilization time specified by the oscillation stabilization time specification register (OSTS).

When the μ PD784938 is released from STOP mode, if a non-maskable interrupt by NMI pin input can be acknowledged, a branch is made to the NMI interrupt service program. If the interrupt cannot be acknowledged (if the STOP mode is set in an NMI interrupt service program, etc.), execution is resumed from the instruction following the instruction that set the STOP mode, and a branch is made to the NMI interrupt service program when acknowledgment becomes possible (by execution of an RETI instruction, etc.).

See **23.6 Non-maskable Interrupt Acknowledgment Operation** for details of NMI interrupt acknowledgment.

Figure 25-5. STOP Mode Release by NMI Input

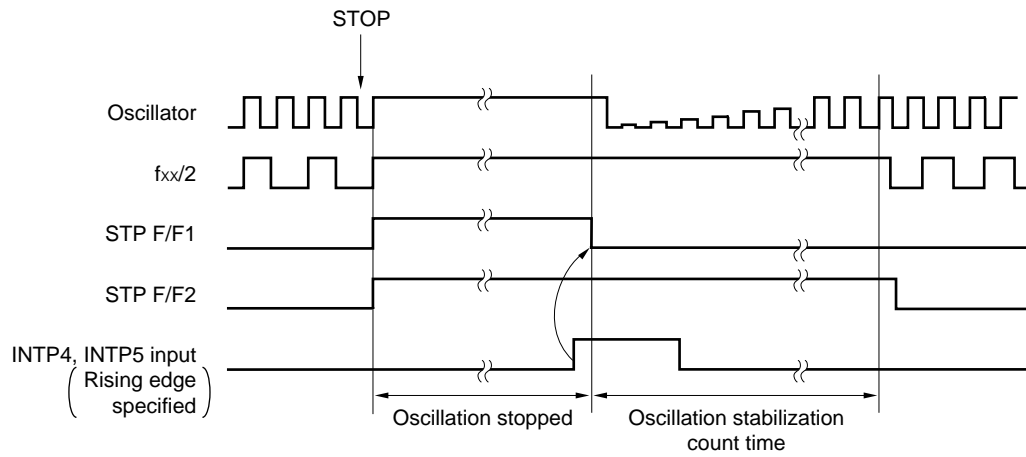


(2) STOP mode release by INTP4 or INTP5 input

When masking of interrupts by INTP4 and INTP5 input is released and macro service is disabled, the oscillator resumes oscillation when the valid edge specified by external interrupt mode register 1 (INTM1) is input to the INTP4 or INTP5 input. Following this, STOP mode is released after the oscillation stabilization time specified by the oscillation stabilization time specification register (OSTS) elapses.

When the μ PD784938 is released from STOP mode, if an interrupt can be acknowledged when the interrupt enable flag (IE) is set (to 1), a branch is made to the interrupt service program. If the interrupt cannot be acknowledged and if the IE flag is cleared (to 0), execution is resumed from the instruction following the instruction that set the STOP mode. See **23.7 Maskable Interrupt Acknowledgment Operation** for details of interrupt acknowledgment.

Figure 25-6. STOP Mode Release by INTP4/INTP5 Input

**(3) STOP mode release by $\overline{\text{RESET}}$ input**

When $\overline{\text{RESET}}$ input falls from high to low and the reset state is established, the oscillator resumes oscillation. The oscillation stabilization time should be secured while $\overline{\text{RESET}}$ is active. Thereafter, normal operation is started when $\overline{\text{RESET}}$ rises.

Unlike an ordinary reset operation, data memory retains its contents prior to STOP mode setting.

25.5 IDLE Mode

25.5.1 IDLE mode setting and operating status

The IDLE mode is selected by setting (to 1) both the STP bit and the HLT bit of the standby control (STBC) register.

The only writes that can be performed on the STBC are 8-bit data writes by means of a dedicated instruction. IDLE mode setting is therefore performed by means of the "MOV STBC, #byte" instruction.

Caution If the IDLE mode is set when the condition to release the HALT mode is satisfied (refer to 25.3.2 HALT mode release), the IDLE mode is not set, but the next instruction is executed or execution branches to a vectored interrupt service program. To accurately set the IDLE mode, clear the interrupt request before setting the IDLE mode.

Table 25-6. Operating States in IDLE Mode

Clock oscillator		Oscillation continued
Internal system clock		Stopped
CPU		Operation stopped
I/O lines		Retain state prior to IDLE mode setting
Peripheral functions		All operation excluding watch timer (WM3 = 1, WM6 = 0) stopped ^{Note}
Internal RAM		Retained
Bus lines	AD0 to AD7	High-impedance
	A8 to A19	High-impedance
\overline{RD} , \overline{WR} output		High-impedance
ASTB output		High-impedance
\overline{REFRQ} output		Retained
HLDRQ input		High-impedance
HLDAK output		Low level

Note A/D converter operation is stopped, but if the CS bit of the A/D converter mode register (ADM) is set, the current consumption does not decrease.

Caution The CS bit of the A/D converter mode (ADM) register should be reset.

25.5.2 IDLE mode release

IDLE mode is released by NMI input, INTP4 input, INTP5 input, INTW input, or $\overline{\text{RESET}}$ input.

Table 25-7. IDLE Mode Release and Operations after Release

Release Source	MK ^{Note 1}	ISM ^{Note 2}	IE ^{Note 3}	State after Release	Operation after Release		
$\overline{\text{RESET}}$ input	×	×	×	—	Normal reset operation		
NMI pin input	×	×	×	<ul style="list-style-type: none"> Non-maskable interrupt service program not being executed Low-priority non-maskable interrupt service program being executed 	Interrupt request acknowledgment		
				<ul style="list-style-type: none"> NMI pin input service program being executed High-priority non-maskable interrupt service program being executed 	Execution of instruction after MOV STBC, #byte instruction (interrupt request that released IDLE mode is held pending ^{Note 4})		
INTP4/INTP5 pin input, INTW input	0	0	1	<ul style="list-style-type: none"> Interrupt service program not being executed Low-priority maskable interrupt service program being executed PRSL bit^{Note 5} cleared (to 0) during execution of priority level 3 interrupt service program 	Interrupt request acknowledgment		
				<ul style="list-style-type: none"> Same-priority maskable interrupt service program being executed (If PRSL bit^{Note 5} is cleared (to 0), excluding execution of priority level 3 interrupt service program) High-priority interrupt service program being executed 	Execution of instruction after MOV STBC, #byte instruction (interrupt request that released IDLE mode is held pending ^{Note 4})		
			0	0	0	—	
			1	0	×	—	IDLE mode maintained
			×	1	×		

- Notes**
1. Interrupt mask bit in individual interrupt request source
 2. Macro service enable flag in individual interrupt request source
 3. Interrupt enable flag in program status word (PSW)
 4. Pending interrupt requests are acknowledged when acknowledgment becomes possible.
 5. Bit in interrupt mode control register (IMC)

(1) IDLE mode release by NMI input

IDLE mode is released when the valid edge specified by external interrupt mode register 0 (INTM0) is input to the NMI input.

When the μ PD784938 is released from IDLE mode, if a non-maskable interrupt by NMI pin input can be acknowledged, a branch is made to the NMI interrupt service program. If the interrupt cannot be acknowledged (if the IDLE mode is set in an NMI interrupt service program, etc.), execution is resumed from the instruction following the instruction that set the IDLE mode, and a branch is made to the NMI interrupt service program when acknowledgment becomes possible (by execution of an RETI instruction, etc.).

See **23.6 Non-maskable Interrupt Acknowledgment Operation** for details of NMI interrupt acknowledgment.

(2) IDLE mode release by INTP4 or INTP5 input

When masking of interrupts by INTP4 and INTP5 input is released and macro service is disabled, IDLE mode is released when the valid edge specified by external interrupt mode register 1 (INTM1) is input to the INTP4 or INTP5 input.

When the μ PD784938 is released from IDLE mode, if an interrupt can be acknowledged when the interrupt enable flag (IE) is set (to 1), a branch is made to the interrupt service program. If the interrupt cannot be acknowledged and if the IE flag is cleared (to 0), execution is resumed from the instruction following the instruction that set the IDLE mode.

See **23.7 Maskable Interrupt Acknowledgment Operation** for details of interrupt acknowledgment.

(3) IDLE mode release by $\overline{\text{RESET}}$ input

When $\overline{\text{RESET}}$ input falls from high to low and the reset state is established, the oscillator resumes oscillation. The oscillation stabilization time should be secured while $\overline{\text{RESET}}$ is active. Thereafter, normal operation is started when $\overline{\text{RESET}}$ rises.

Unlike an ordinary reset operation, data memory retains its contents prior to IDLE mode setting.

25.6 Check Items when STOP Mode/IDLE Mode is Used

Check items required to reduce the current consumption when STOP mode/IDLE mode is used are shown below.

(1) Is the output level of each output pin appropriate?

The appropriate output level for each pin varies according to the next-stage circuit. You should select the output level that minimizes the current consumption.

- If high level is output when the input impedance of the next-stage circuit is low, a current will flow from the power supply to the port, resulting in an increased current consumption. This applies when the next-stage circuit is a CMOS IC, etc. When the power supply is off, the input impedance of a CMOS IC is low. In order to suppress the current consumption, or to prevent an adverse effect on the reliability of the CMOS IC, low level should be output. If a high level is output, latchup may result when power is turned on again.
- Depending on the next-stage circuit, inputting low level may increase the current consumption. In this case, high-level or high-impedance output should be used to reduce the current consumption.
- If the next-stage circuit is a CMOS IC, the current consumption of the CMOS IC may increase if the output is made high-impedance when power is supplied to it (the CMOS IC may also be overheated and damaged). In this case you should output an appropriate level, or pull the output high or low with a resistor.

The method of setting the output level depends on the port mode.

- When a port is in control mode, the output level is determined by the status of the on-chip hardware, and therefore the on-chip hardware status must be taken into consideration when setting the output level.
- In port mode, the output level can be set by writing to the port output latch and port mode register by software.

When a port is in control mode, its output level can be set easily by changing to port mode.

(2) Is the input pin level appropriate?

The voltage level input to each pin should be in the range between V_{SS} potential and V_{DD} potential. If a voltage outside this range is applied, the current consumption will increase and the reliability of the μ PD784938 may be adversely affected.

Also ensure that an intermediate potential is not applied.

(3) Are pull-up resistors necessary?

An unnecessary pull-up resistor will increase the current consumption and cause a latchup of other devices. A mode should be specified in which pull-up resistors are used only for parts that require them.

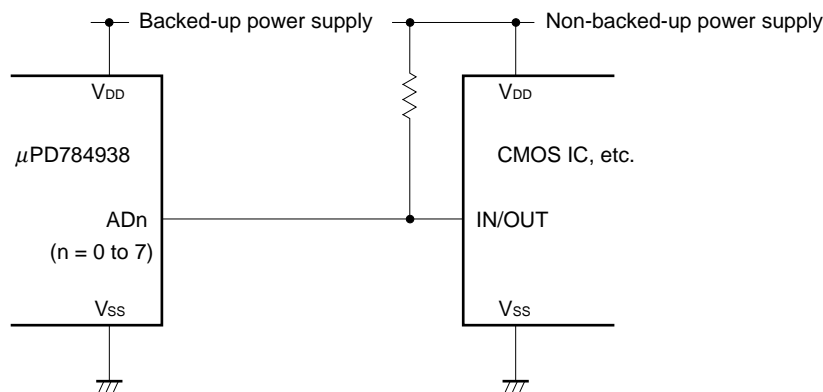
If there is a mixture of parts that do and do not require pull-up resistors, for parts that do, you should connect a pull-up resistor externally and specify a mode in which the on-chip pull-up resistor is not used.

(4) Is processing of the address bus, address/data bus, etc., appropriate?

In STOP mode and IDLE mode, the address bus, address/data bus, \overline{RD} and \overline{WR} pins become high-impedance. Normally, these pins are pulled high with a pull-up resistor. If this pull-up resistor is connected to the backed-up power supply, then if the input impedance of circuitry connected to the non-backed-up power supply is low, a current will flow through the pull-up resistor, and the current consumption will increase. Therefore, the pull-up resistor should be connected to the non-backed-up power supply side as shown in Figure 25-7.

Also, in STOP mode and IDLE mode the ASTB pin also becomes high impedance, and the $\overline{REFRQ}/\overline{HLDAK}$ pin adopts a fixed level. Countermeasures should be taken with reference to the points noted in (to 1).

Figure 25-7. Example of Address/Data Bus Processing



The voltage level input to the $\overline{WAIT}/\overline{HLDRQ}$ pin should be in the range between V_{SS} potential and V_{DD} potential. If a voltage outside this range is applied, the current consumption will increase and the reliability of the μ PD784938 may be adversely affected.

(5) A/D converter

The current flowing to the AV_{DD} , AV_{REF1} pins can be reduced by clearing (0) the CS bit (bit 7) of the A/D converter mode register (ADM). The current can be further reduced, if required, by cutting the current supply to the AV_{DD} , AV_{REF1} pins with external circuitry.

Make sure that the AV_{DD} pin is not at the same potential as the V_{DD} pin. Unless power is supplied to the AV_{DD} pin in the STOP mode, not only does the current consumption increase, but the reliability is also affected.

25.7 Cautions

- (1) If HALT/STOP/IDLE mode (standby mode hereafter) setting is performed when a condition that release HALT mode (refer to **25.3.2 HALT mode release**) is satisfied, standby mode is not entered, and execution of the next instruction, or a branch to a vectored interrupt service program, is performed. To ensure that a definite standby mode setting is made, interrupt requests should be cleared, etc. before entering standby mode.
- (2) When crystal/ceramic oscillation is used, the EXTC bit must be cleared (to 0) before use. If the EXTC bit is set (to 1), oscillation will stop.
- (3) If the STOP mode is set when the EXTC bit of the oscillation stabilization time specification (OSTS) register is cleared (to 0), the X1 pin is shorted internally to V_{SS} (GND potential) to suppress clock generator leakage. Therefore, when the STOP mode is used in a system that uses an external clock, the EXTC bit of OSTS must be set (to 1). If STOP mode setting is performed in a system to which an external clock is input when the EXTC bit of the OSTS is cleared (to 0), the μ PD784938 may suffer damage or reduced reliability.
When setting the EXTC bit of OSTS to 1, be sure to input a clock in phase reverse to that of the clock input to the X1 pin, to the X2 pin (refer to **4.3.1 Clock oscillator**).
- (4) In STOP mode and IDLE mode, the CS bit of the A/D converter mode ADM register should be cleared (to 0).

[MEMO]

CHAPTER 26 RESET FUNCTION

26.1 Reset Function

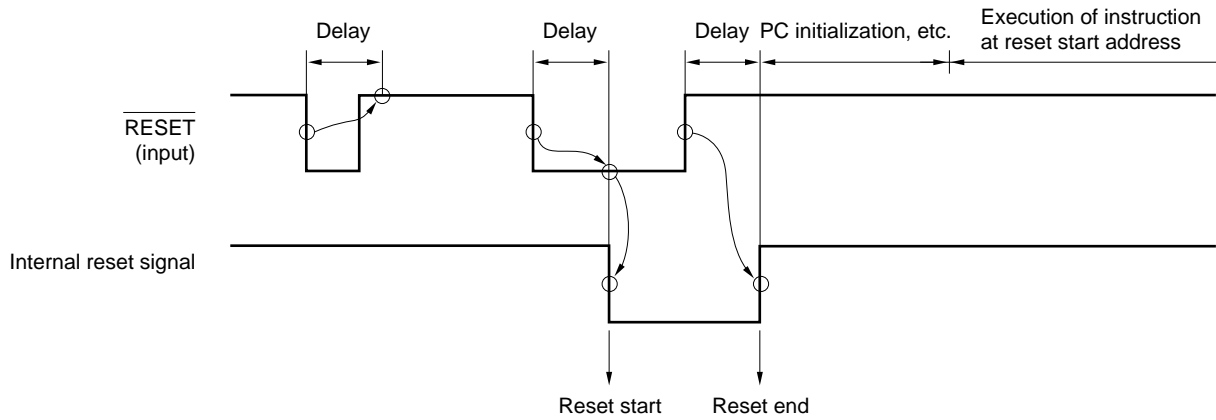
When low level is input to the $\overline{\text{RESET}}$ input pin, a system reset is affected, the various hardware units are set to the states shown in Table 26-2, and all pins except the power supply pins and the X1 and X2 pins are placed in the high-impedance state. Table 26-1 shows the pin statuses on reset and after reset release.

When the $\overline{\text{RESET}}$ input changes from low to high level, the reset state is released, the contents of address 00000H of the reset vector table are set in bits 0 to 7 of the program counter (PC), the contents of address 00001H in bits 8 to 15, and 0000B in bits 16 to 19, a branch is made, and program execution is started at the branch destination address. A reset start can therefore be performed from any address in the base area.

The contents of the various registers should be initialized as required in the program in the base area.

To prevent misoperation due to noise, the $\overline{\text{RESET}}$ input pin incorporates an analog delay noise elimination circuit (see Figure 26-1).

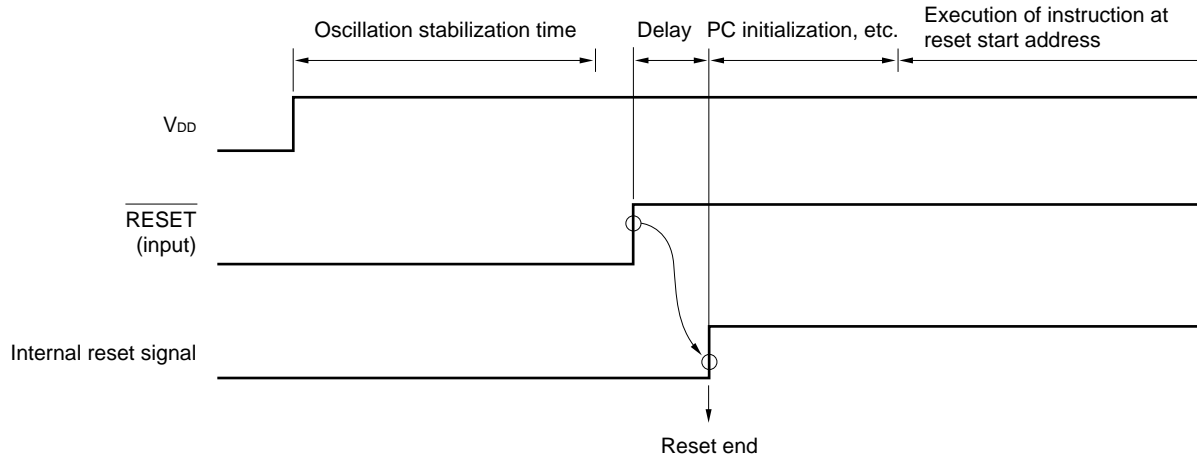
Figure 26-1. Reset Signal Acknowledgment



In a reset operation upon powering on, the $\overline{\text{RESET}}$ signal must be kept active until the oscillation stabilization time has elapsed.

As the time taken for oscillation stabilization is influenced by the crystal oscillator/ceramic resonator used and the capacitance of capacitor connected, please contact the manufacturer of the crystal oscillator/ceramic resonator for details.

Figure 26-2. Power-On Reset Operation



Remark f_{CLK} : Internal system clock frequency

Table 26-1. Pin Statuses During Reset Input and After Reset Release

Pin Name	Input/Output	On Reset	Directly After Reset Release
P00 to P07	Input/output	Hi-Z	Hi-Z (input port mode)
P10 to P17	Input/output	Hi-Z	Hi-Z (input port mode)
P20/NMI to P27/SI	Input	Hi-Z	Hi-Z (input port)
P30/RxD/SI1 to P37/TO3	Input/output	Hi-Z	Hi-Z (input port mode)
P40/AD0 to P47/AD7	Input/output	Hi-Z	Hi-Z (input port mode)
P50/A8 to P57/A15	Input/output	Hi-Z	Hi-Z (input port mode)
P60/A16 to P63/A19	Input/output	Hi-Z	Hi-Z (input port mode)
P64/ $\overline{\text{RD}}$, P65/ $\overline{\text{WR}}$	Input/output	Hi-Z	Hi-Z (input port mode)
P66/ $\overline{\text{WAIT}}$, P67/ $\overline{\text{REFRQ}}$	Input/output	Hi-Z	Hi-Z (input port mode)
P70/ANI0 to P77/ANI7	Input/output	Hi-Z	Hi-Z (input port mode)
P90 to P97	Input/output	Hi-Z	Hi-Z (input port mode)
P100 to P107/SO3	Input/output	Hi-Z	Hi-Z (input port mode)
ASTB/CLKOUT	Output	Hi-Z	0
PWM0, PWM1	Output	Hi-Z	Low level output
$\overline{\text{TX}}$	Output	Hi-Z	Low level output
$\overline{\text{RX}}$	Input	Hi-Z	Hi-Z (input port)

Table 26-2. Hardware Status After Reset (1/2)

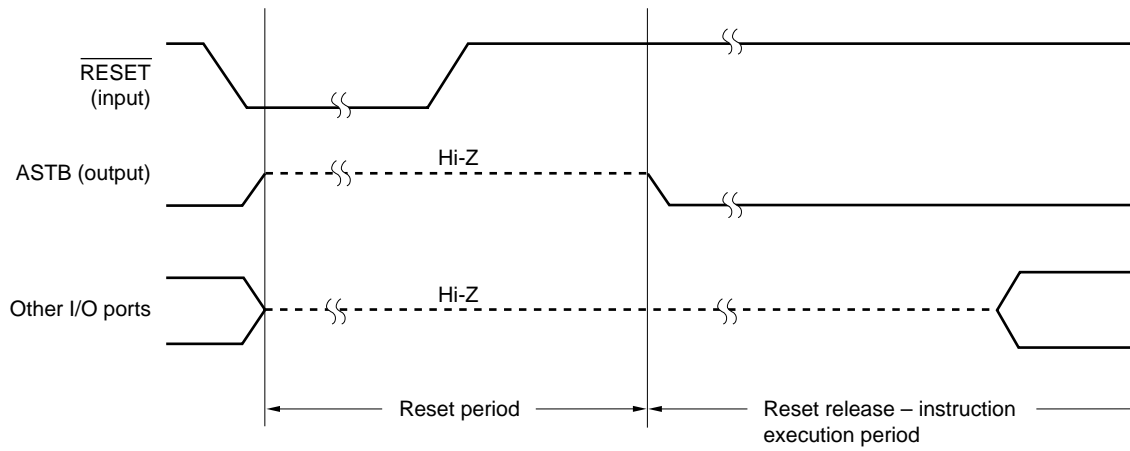
Hardware		State After Reset	
Program counter (PC)		Set with contents of reset vector table (0000H/0001H).	
Stack pointer (SP)		Undefined ^{Note}	
Program status word (PSW)		02H	
On-chip RAM	Data memory	Undefined ^{Note}	
	General-purpose registers		
Ports	Ports 0, 1, 2, 3, 4, 5, 6, 7, 9, 10	Undefined (high impedance)	
Port mode registers	PM0, 1, 3, 4, 5, 6, 7, 9, 10	FFH	
Port mode control registers (PMC1, PMC3, PMC10)		00H	
Pull-up resistor option register (PUOL, PUOH)		00H	
Real-time output port control register (RTPC)		00H	
Timer/counter	Timer counters (TM0, TM1W, TM2W, TM3W)	0000H	
	Compare registers (CR00, CR01, CR10LW, CR20W, CR30W)	Undefined	
	Capture registers (CR02, CR12W, CR22W)		
	Capture/compare registers (CR11W, CR21W)		
	Timer control registers (TMC0, TMC1)	00H	
	Timer output control register (TOC)		
	Capture/compare control registers	CRC0	10H
		CRC1, CRC2	00H
	Prescaler mode registers (PRM0, PRM1)		00H
	One-shot pulse output control register (OSPC)		00H
PWM	PWM control register (PWMC)	05H	
	PWM prescaler register (PWPR)	00H	
	PWM modulo registers (PWM0, PWM1)	Undefined	
A/D converter	A/D converter mode register (ADM)	00H	
	A/D conversion result register (ADCR)	Undefined	
	A/D current cut select register (IEAD)	00H	
ROM correction	ROM correction address register H (CORAH)	00H	
	ROM correction address register L (CORAL)	0000H	
	ROM correction control register (CORC)	00H	
Serial interface	Clocked serial interface mode registers (CSIM, CSIM1, CSIM2, CSIM3)	00H	
	Serial shift registers (SIO, SIO1, SIO2, SIO3)	Undefined	
	Asynchronous serial interface mode registers (ASIM, ASIM2)	00H	
	Asynchronous serial interface status registers (ASIS, ASIS2)	00H	
	Serial receive buffers (RXB, RXB2)	Undefined	
	Serial transmit shift registers (TXS, TXS2)	Undefined	
	Baud rate generator control registers (BRGC, BRGC2)	00H	

Note When HALT mode, STOP mode, or IDLE mode is released by $\overline{\text{RESET}}$ input, the value before that mode was set is retained.

Table 26-2. Hardware Status After Reset (2/2)

Hardware		State After Reset	
Clock output function (CLOM)		00H	
Watch timer mode register (WM)		00H	
Memory extension mode register (MM)		20H	
Programmable wait control registers		PWC1	AAH
		PWC2	AAAAH
Refresh function	Refresh mode register (RFM)	00H	
	Refresh area specification register (RFA)	00H	
Hold mode register (HLDM)		00H	
Interrupts	Interrupt control registers (PIC0, PIC1, PIC2, PIC3, PIC4, PIC5, CIC00, CIC01, CIC10, CIC11, CIC20, CIC21, CIC30, ADIC, SERIC, SRIC, STIC, SERIC2, SRIC2, STIC2, CSIIC, CSIIC1, CSIIC2, IEIC1, IEIC2, WIC, CSIIC3)	43H	
	Interrupt mask registers	MK0	FFFFH
		MK1	FFH
	In-service priority register (ISPR)	00H	
Interrupt mode control register (IMC)	00H		
External interrupt mode registers (INTM0, INTM1)		00H	
Sampling clock selection register (SCS0)		00H	
Standby control register (STBC)		30H	
Oscillation stabilization time specification register (OSTS)		00H	
Internal memory size switching register (IMS)		FFH	
IEBus controller	Bus control register (BCR)	00H	
	Unit address register (UAR)	0000H	
	Slave address register (SAR)		
	Partner address register (PAR)		
	Control data register (CDR)	01H	
	Telegraph-length register (DLR)	00H	
	Data register (DR)		
	Unit status register (USR)		
	Interrupt status register (ISR)		
	Slave status register (SSR)	41H	
	Success count register (SCR)	01H	
	Communication count register (CCR)	20H	

Figure 26-3. Reset Input Timing



26.2 Caution

Reset input when powering on must remain at the low level until oscillation stabilizes after the supply voltage has reached the prescribed voltage.

CHAPTER 27 ROM CORRECTION

27.1 ROM Correction Functions

μ PD784938 converts part of the program within the mask ROM into the program within the internal expansion ROM. The use of ROM correction enables command bugs discovered in the mask ROM to be repaired, and change the flow of the program.

ROM correction can be used in a maximum of four locations within the internal ROM (program).

Caution Note that ROM correction cannot perform emulation in the in-circuit emulator (IE-784000-R, IE-784000-R-EM).

In more detail, the command addresses that require repair from the inactive memory connected to an external microcontroller by a user program and the repair command codes are loaded into the peripheral RAM.

The above addresses and the internal ROM access addresses are compared by the comparator built into the microcontroller during execution of internal ROM programs (during command fetch), and internal ROM's output data is then converted to call command (CALLT) codes and output when a match is determined.

When the CALLT command codes are changed to valid commands by the CPU and executed, the CALLT table is referenced, and the process routine and other peripheral RAM are branched. At this point, a CALLT table is prepared for each repair address for referencing purposes. Four repair address can be set for the μ PD784938.

Matches with address pointer 0:	CALLT table (0078H) Conversion command code: FCH
Matches with address pointer 1:	CALLT table (007AH) Conversion command code: FDH
Matches with address pointer 2:	CALLT table (007CH) Conversion command code: FEH
Matches with address pointer 3:	CALLT table (007EH) Conversion command code: FFH

- Cautions**
1. As it is necessary to reserve four locations for the CALLT tables when the ROM correction function is used (0078H, 007AH, 007CH, 007EH), ensure that these are not used for other applications. However, the CALLT tables can be used if the ROM correction function is not being used.
 2. If there are two or more channels for which the correction operation is enabled, do not set the same correction address.
 3. Be sure to set the address where the start command code is stored as the correction address.

The differences between 78K/IV ROM correction and 78K/0 ROM correction are shown in Table 27-1.

Table 27-1. Differences between 78K/IV ROM Correction and 78K/0 ROM Correction

Difference	78K/IV	78K/0
Generated command codes	CALLT instruction (1-byte instruction: FCH, FDH, FEH, FFH)	Peripheral RAM
Address comparison conditions	Instruction fetch only	Instruction fetch only
Correction status flag	None As there is a possibility that the addresses match owing to an invalid fetch, the status is not necessary	Yes
Jump destination address during correction	CALLT Table 0078H, 007AH, 007CH, 007EH	Fixed address on the peripheral RAM

27.2 ROM Correction Configuration

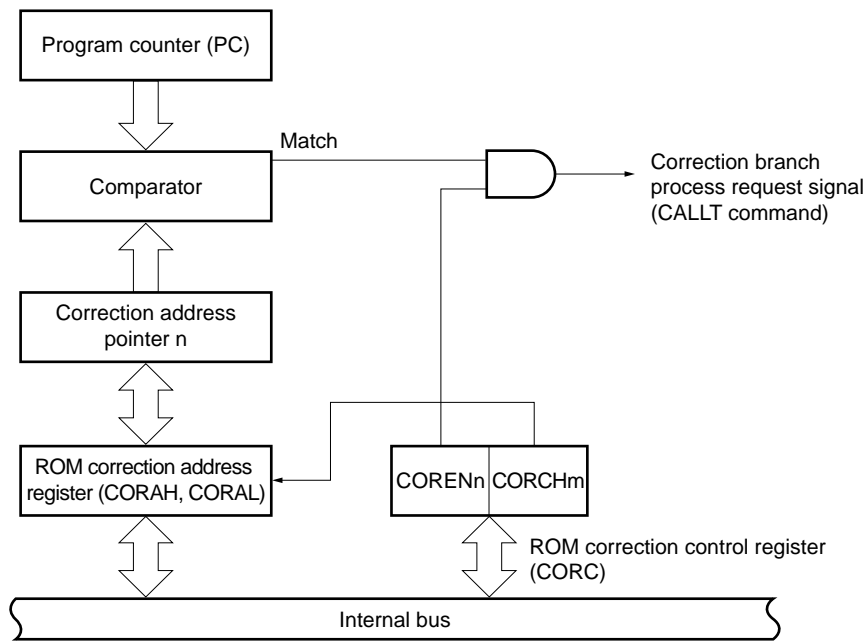
ROM correction is composed of the following hardware.

Table 27-2. ROM Correction Configuration

Item	Configuration
Register	ROM correction address register H, L (CORAH, CORAL)
Control register	ROM correction control register (CORC)

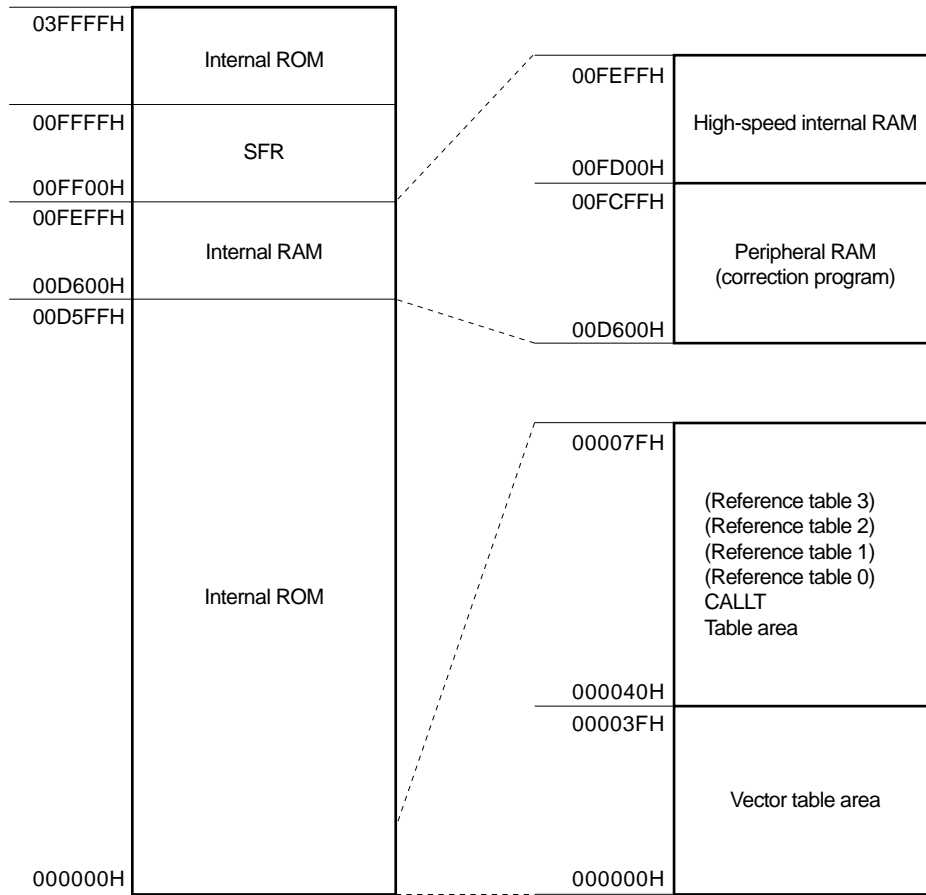
A ROM correction block diagram is shown in Figure 27-1, and Figure 27-2 shows an example of memory mapping.

Figure 27-1. ROM Correction Block Diagram



Remark n = 0 to 3, m = 0, 1

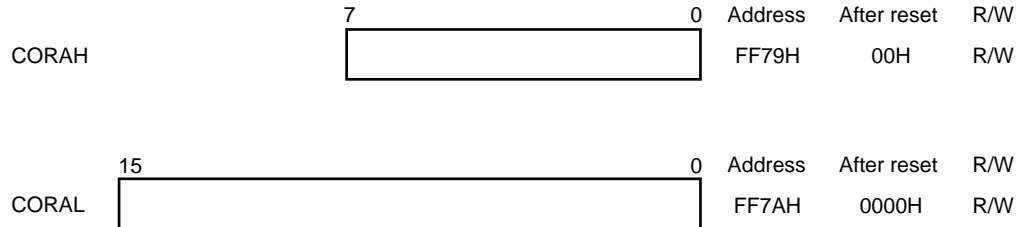
Figure 27-2. Memory Mapping Example (μ PD784938)



(1) ROM correction address register (CORAH, CORAL)

The register that sets the header address (correction address) of the command within the mask ROM that needs to be repaired. A maximum of four program locations can be repaired with ROM correction. First of all, the channel is selected with bit 0 (CORCH0) and bit 1 (CORCH1) of the ROM correction control register (CORC), and the address is then set in the specified channel's address pointer when the address is written in CORAH and CORAL.

Figure 27-3. ROM Correction Address Register (CORAH, CORAL) Format



(2) Comparator

The ROM correction address registers H and L (CORAH, CORAL) normally compare the corrected address value with the fetch register value. If any of the ROM correction control register (CORC) bits between bit 4 to bit 7 (COREN0 to 3) are 1 and the correct address matches the fetch address value, a table reference instruction (CALLT) is issued from the ROM correction circuit.

27.3 Control Register for ROM Correction

ROM correction is controlled by the ROM correction control register (CORC).

(1) ROM correction control register (CORC)

The register that controls the issuance of the table reference instruction (CALLT) when the correct address set in ROM correction address registers H and L (CORAH, CORAL) match the value of the fetch address.

This is composed of a correction enable flag (COREN0 to 3) that enables or disables match detection with the comparator, and four channel correction pointers.

CORC is set with a 1-bit or 8-bit memory manipulation instruction.

$\overline{\text{RESET}}$ input sets CORC to 00H.

Figure 27-4. ROM Correction Control Register (CORC) Format

Address	0FF88H	After reset	00H	R/W				
Symbol	7	6	5	4	3	2	1	0
CORC	COREN3	COREN2	COREN1	COREN0	0	0	CORCH1	CORCH0

CORENn	Controls the Match Detection for the ROM Correction Address Register and the Fetch Address.
0	Disabled
1	Enabled

CORCH1	CORCH0	Channel Selection
0	0	Address pointer channel 0
0	1	Address pointer channel 1
1	0	Address pointer channel 2
1	1	Address pointer channel 3

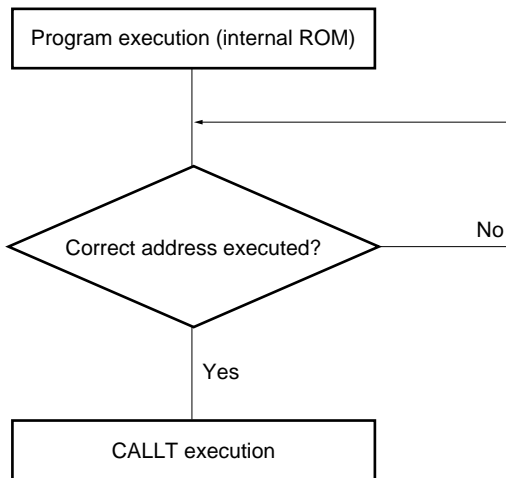
Remark n = 0 to 3

27.4 Use of ROM Correction

<1> The correct address and post-correction instruction (correction program) are stored in the microcontroller external non-volatile memory (EEPROM).

<2> A substitute instruction is read from the non-volatile memory with the use of a serial interface when the initialization program is running after being reset, and this is stored in the peripheral RAM and external memory. The correction channel is then selected, the address for the command that requires correction is read and set in the ROM correction address registers (CORAH, CORAL), and the correction enable flag (COREN0 to 3) is set at 1. A maximum of four locations can be set.

<3> Execute the CALLT instruction during execution of the corrected address.



<4> CALLT routine branch

- When matched with address pointer 0: CALLT table (0078H)
- When matched with address pointer 1: CALLT table (007AH)
- When matched with address pointer 2: CALLT table (007CH)
- When matched with address pointer 3: CALLT table (007EH)

<5> Execute substitute instruction

<6> Add +3 to the stack pointer (SP)

<7> Restore to any addresses with the branch instruction (BR)

27.5 Conditions for Executing ROM Correction

In order to use the ROM correction function, it is necessary for the external environment and program to satisfy the following conditions.

(1) External environment

Must be connected externally to a non-volatile memory, and be configured to read that data.

(2) Target program

The data setting instruction for CORC, CORAH and CORAL will be previously annotated in the target program (program stored in the ROM).

The set-up data (the items written in lower-case in the set-up example below) must be read from the external non-volatile memory, and the correct number of required correction pointers must be set.

Example of four pointer settings

```

MOV    CORC, #00H;      Specified channel 0
MOVW   CORAL, #ch0 data; Sets the channel 0 matching address
MOV    CORAH, #ch0 data; Sets the channel 0 matching address
MOV    CORC, #01H;      Specified channel 1
MOVW   CORAL, #ch1 data; Sets the channel 1 matching address
MOV    CORAH, #ch1 data; Sets the channel 1 matching address
MOV    CORC, #02H;      Specified channel 2
MOVW   CORAL, #ch2 data; Sets the channel 2 matching address
MOV    CORAH, #ch2 data; Sets the channel 2 matching address
MOV    CORC, #chH;      Specified channel 3
MOV    CORAL, #ch3 data; Sets the channel 3 matching address
MOV    CORAH, #ch3 data; Sets the channel 3 matching address
MOV    CORC, #romcqr en
                                ; Sets 00H when correction is disabled
                                ; Sets F0H when correction is operated

BR     $NORMAL
BR     !!COR_ADDR;      Specifies the address of the correction program
;

```

NOMAL instruction; next instruction

(3) Setting the branch instruction in the CALLT table.

In the case of the above program, the header address for the BR!!COR_ADDR instruction is specified. (COR_ADDR indicates the address where the correction program is located.)

The reason for this being branched into the CALLT instruction and BR instruction is owing to the fact that only the base area can be branched with CALLT. There is no necessity to branch into two levels when it is to be attached to the RAM base area with the LOCATION instruction.

CHAPTER 28 μ PD78F4938 PROGRAMMING

The μ PD78F4938 is a flash memory version of the μ PD784938 Subseries.

The μ PD78F4938 has on-chip flash memory that allows write, erase, and rewrite of programs in the state in which it is mounted on the substrate. Table 28-1 shows the differences between the flash memory version (μ PD78F4938) and the mask ROM versions (μ PD784935, 784936, 784937, and 784938).

Table 28-1. Differences between the μ PD78F4938 Mask ROM Versions

Item	μ PD78F4938	Mask ROM Versions
Internal ROM type	Flash memory	Mask ROM
Internal ROM capacity	256 Kbytes	μ PD784935: 96 Kbytes μ PD784936: 128 Kbytes μ PD784937: 192 Kbytes μ PD784938: 256 Kbytes
Internal RAM capacity	10,240 bytes	μ PD784935: 5,120 bytes μ PD784936: 6,656 bytes μ PD784937: 8,192 bytes μ PD784938: 10,240 bytes
Internal memory size switching register (IMS)	Available	Not available
IC pin	Not available	Available
V _{PP} pin	Available	Not available

Caution There are differences in noise immunity and noise radiation between the flash memory and mask ROM versions. When pre-producing an application set with the flash memory version and then mass-producing it with the mask ROM version, be sure to conduct sufficient evaluations for the commercial samples (not engineering samples) of the mask ROM version.

28.1 Internal Memory Size Switching Register (IMS)

IMS is a register to prevent a certain part of the internal memory from being used by software. By setting the IMS, it is possible to establish a memory map that is the same as that of mask ROM version with a different internal memory (ROM, RAM) with capacity.

IMS is set with an 8-bit memory manipulation instruction.

$\overline{\text{RESET}}$ input sets IMS to FFH.

Figure 28-1. Internal Memory Size Switching Register (IMS) Format

Address	0FFFCH	After reset	FFH	W					
Symbol	7	6	5	4	3	2	1	0	
IMS	1	1	ROM1	ROM0	1	1	RAM1	RAM0	

ROM1	ROM0	Internal ROM Capacity Selection
0	0	256 Kbytes
0	1	96 Kbytes
1	0	128 Kbytes
1	1	192 Kbytes

RAM1	RAM0	Internal RAM Capacity Selection
0	0	10,240 bytes
0	1	5,120 bytes
1	0	6,656 bytes
1	1	8,192 bytes

Caution IMS is not available for mask ROM versions (μ PD784935, 784936, 784937, and 784938).

The IMS settings to create the same memory map as mask ROM versions are shown in Table 28-2.

Table 28-2. Internal Memory Size Switching Register (IMS) Settings

Relevant Mask ROM Version	IMS Setting
μ PD784935	DDH
μ PD784936	EEH
μ PD784937	FFH
μ PD784938	CCH

28.2 Flash Memory Programming Using Flashpro II and Flashpro III

Flash memory can be written while mounted on the target system (on-board writing). Connect the dedicated flash programmer (Flashpro II (part number FL-PR2), Flashpro III (part number FL-PR3 and FG-FP3)) to the host computer and target system for programming. Moreover, writing to flash memory can also be performed using a flash memory writing adapter connected to Flashpro II or Flashpro III.

Remark FL-PR2 and FL-PR3 are products of Naito Densai Machida Mfg. Co., Ltd.

28.2.1 Selecting communication mode

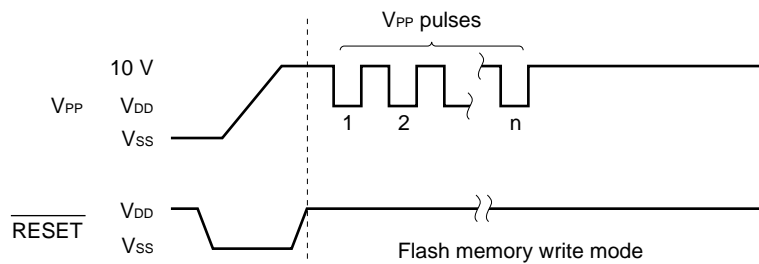
The Flashpro II or III is used to write data into a flash memory by serial communications. Select the communication mode for writing from Table 28-3. Figure 28-2 shows the format used to select the communication mode. Each communication mode is selected with the number of V_{PP} pulses shown in Table 28-3.

Table 28-3. Communication Mode

Communication Mode	Number of Channels	Pins Used	Number of V_{PP} Pulses
3-wire serial I/O	1	SCK3/P105 SI3/P106 SO3/P107	1
UART	1	RxD/P30 TxD/P31	8

Caution Always select the communication mode using the number of V_{PP} pulses shown in Table 28-3.

Figure 28-2. Communication Mode Selection Format



28.2.2 Flash memory programming functions

By transmitting and receiving various commands and data by the selected communication mode, operations such as writing to the flash memory are performed. Table 28-4 shows the major functions.

Table 28-4. Flash Memory Programming Functions

Function	Description
Batch erase	Erase the entire memory contents.
Block erase	Erase the contents of the specified memory block where one memory block is 16 Kbytes.
Batch blank check	Checks the erase state of the entire memory.
Block blank check	Checks the erase state of the specified block.
Data write	Writes to the flash memory based on the start write address and the number of data written (number of bytes).
Batch verify	Compares the data input to the contents of the entire memory.
Block verify	Compares the data input to the contents of the specified memory block.

Verification for the flash memory entails supplying the data to be verified from an external source via a serial interface, and then outputting the existence of unmatched data to the external source after referencing the blocks or all of the data. Consequently, the flash memory is not equipped with a read function, and it is not possible for third parties to read the contents of the flash memory with the use of the verification function.

28.2.3 Connecting Flashpro II or Flashpro III

The connection between the Flashpro II or Flashpro III and the μ PD78F4938 differs with the communication mode (3-wire serial I/O or UART). Figures 28-3 and 28-4 are the connection diagrams in each case.

Figure 28-3. Flashpro II and Flashpro III Connection in 3-Wire Serial I/O Mode

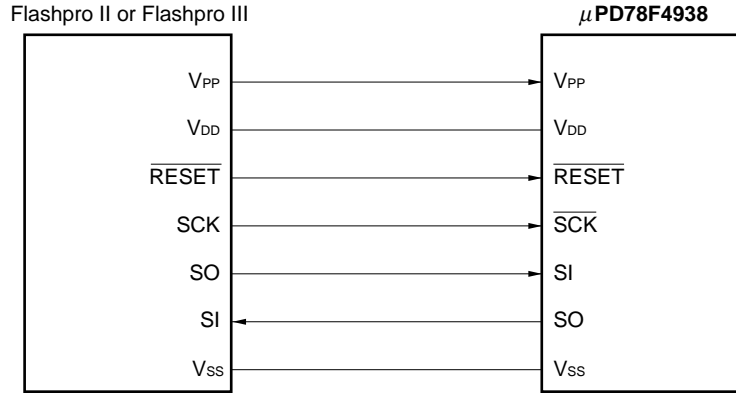
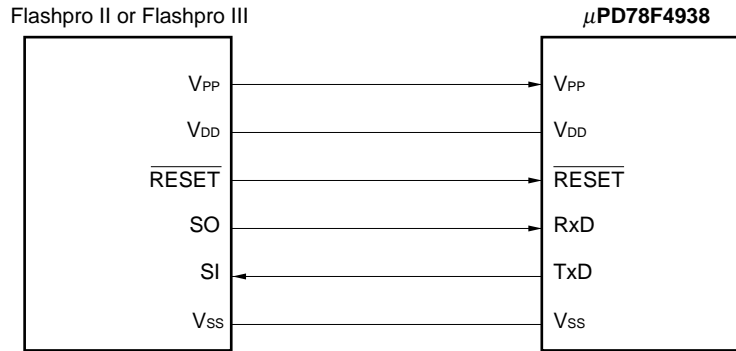


Figure 28-4. Flashpro II and Flashpro III Connection in UART Mode



[MEMO]

CHAPTER 29 INSTRUCTION OPERATIONS

29.1 Conventions

(1) Operand identifiers and descriptions (1/2)

Identifier	Description
r, r' ^{Note 1} r1 ^{Note 1} r2 r3	X (R0), A (R1), C (R2), B (R3), R4, R5, R6, R7, R8, R9, R10, R11, E (R12), D (R13), L (R14), H (R15) X (R0), A (R1), C (R2), B (R3), R4, R5, R6, R7 R8, R9, R10, R11, E (R12), D (R13), L (R14), H (R15) V, U, T, W
rp, rp' ^{Note 2} rp1 ^{Note 2} rp2	AX (RP0), BC (RP1), RP2, RP3, VP (RP4), UP (RP5), DE (RP6), HL (RP7) AX (RP0), BC (RP1), RP2, RP3 VP (RP4), UP (RP5), DE (RP6), HL (RP7)
rg, rg' sfr sfrp	VVP (RG4), UUP (RG5), TDE (RG6), WHL (RG7) Special function register symbol (see Special Function Register Application Table) Special function register symbol (register for which 16-bit operation is possible: see Special Function Register Application Table)
post ^{Note 2}	AX (RP0), BC (RP1), RP2, RP3, VP (RP4), UP (RP5)/PSW, DE (RP6), HL (RP7) Multiple descriptions are permissible. However, UP is only used with PUSH/POP instructions, and PSW with PUSHU/POPU instructions.
mem	[TDE], [WHL], [TDE+], [WHL+], [TDE-], [WHL-], [VVP], [UUP]: Register indirect addressing [TDE+byte], [WHL+byte], [SP+byte], [UUP+byte], [VVP+byte]: Based addressing imm24 [A], imm24 [B], imm24 [DE], imm24 [HL]: Indexed addressing [TDE+A], [TDE+B], [TDE+C], [WHL+A], [WHL+B], [WHL+C], [VVP+DE], [VVP+HL]: Based indexed addressing
mem1	All mem except [WHL+] and [WHL-]
mem2	[TDE], [WHL]
mem3	[AX], [BC], [RP2], [RP3], [VVP], [UUP], [TDE], [WHL]

- Notes 1.** Setting the RSS bit to 1 enables R4 to R7 to be used as X, A, C, and B, but this function should only be used when using a 78K/III Series program.
- 2.** Setting the RSS bit to 1 enables RP2 and RP3 to be used as AX and BC, but this function should only be used when using a 78K/III Series program.

(1) Operand identifiers and descriptions (2/2)

Identifier	Description
Note	
saddr, saddr'	FD20H to FF1FH immediate data or label
saddr1	FE00H to FEFFH immediate data or label
saddr2	FD20H to FDFFH, FF00H to FF1FH immediate data or label
saddrp	FD20H to FF1EH immediate data or label (16-bit operation)
saddrp1	FE00H to FEFFH immediate data or label (16-bit operation)
saddrp2	FD20H to FDFFH, FF00H to FF1EH immediate data or label (16-bit operation)
saddrg	FD20H to FEFDH immediate data or label (24-bit operation)
saddrg1	FE00H to FEFDH immediate data or label (24-bit operation)
saddrg2	FD20H to FDFFH immediate data or label (24-bit operation)
addr24	0H to FFFFFFFH immediate data or label
addr20	0H to FFFFFFFH immediate data or label
addr16	0H to FFFFH immediate data or label
addr11	800H to FFFH immediate data or label
addr8	0FE00H to 0FEFFH ^{Note} immediate data or label
addr5	40H to 7EH immediate data or label
imm24	24-bit immediate data or label
word	16-bit immediate data or label
byte	8-bit immediate data or label
bit	3-bit immediate data or label
n	3-bit immediate data
locaddr	00H or 0FH

Note The addresses shown here apply when 00H is specified by the LOCATION instruction.
 When 0FH is specified by the LOCATION instruction, F0000H should be added to the address values shown.

(2) Operand column symbols

Symbol	Description
+	Auto-increment
-	Auto-decrement
#	Immediate data
!	16-bit absolute address
!!	24-bit/20-bit absolute address
\$	8-bit relative address
!\$	16-bit relative address
/	Bit inversion
[]	Indirect addressing
[%]	24-bit indirect addressing

(3) Flag column symbols

Symbol	Description
(Blank)	No change
0	Cleared to 0
1	Set to 1
×	Set or cleared depending on result
P	P/V flag operates as parity flag
V	P/V flag operates as overflow flag
R	Previously saved value is restored

(4) Operation column symbols

Symbol	Description
jdisp8	Signed two's complement data (8 bits) indicating relative address distance between start address of next instruction and branch address
jdisp16	Signed two's complement data (16 bits) indicating relative address distance between start address of next instruction and branch address
PC _{HW}	PC bits 16 to 19
PC _{LW}	PC bits 0 to 15

(5) Number of bytes of instruction that includes mem in operands

mem Mode	Register Indirect Addressing		Based Addressing	Indexed Addressing	Based Indexed Addressing
Number of bytes	1	2 ^{Note}	3	5	2

Note One-byte instruction only when [TDE], [WHL], [TDE+], [TDE-], [WHL+], or [WHL-] is written as mem in an MOV instruction.

(6) Number of bytes of instruction that includes saddr, saddrp, r, or rp in operands

For some instructions that include saddr, saddrp, r, or rp in their operands, two “Bytes” entries are given, separated by a slash (“/”). The entry that applies is shown in the table below.

Identifier	Left-Hand “Bytes” Figure	Right-Hand “Bytes” Figure
saddr	saddr2	saddr1
saddrp	saddrp2	saddrp1
r	r1	r2
rp	rp1	rp2

(7) Description of instructions that include mem in operands and string instructions

Operands TDE, WHL, VVP, and UUP (24-bit registers) can also be written as DE, HL, VP, and UP respectively. However, they are still treated as TDE, WHL, VVP, and UUP (24-bit registers) when written as DE, HL, VP, and UP.

29.2 List of Operations

(1) 8-bit data transfer instruction: MOV

Mnemonic	Operands	Bytes	Operation	Flags				
				S	Z	AC	P/V	CY
MOV	r, #byte	2/3	r ← byte					
	saddr, #byte	3/4	(saddr) ← byte					
	sfr, #byte	3	sfr ← byte					
	!addr16, #byte	5	(saddr16) ← byte					
	!!addr24, #byte	6	(addr24) ← byte					
	r, r'	2/3	r ← r'					
	A, r	1/2	A ← r					
	A, saddr2	2	A ← (saddr2)					
	r, saddr	3	r ← (saddr)					
	saddr2, A	2	(saddr2) ← A					
	saddr, r	3	(saddr) ← r					
	A, sfr	2	A ← sfr					
	r, sfr	3	r ← sfr					
	sfr, A	2	sfr ← A					
	sfr, r	3	sfr ← r					
	saddr, saddr'	4	(saddr) ← (saddr')					
	r, !addr16	4	r ← (addr16)					
	!addr16, r	4	(addr16) ← r					
	r, !!addr24	5	r ← (addr24)					
	!!addr24, r	5	(addr24) ← r					
	A, [saddrp]	2/3	A ← ((saddrp))					
	A, [%saddrg]	3/4	A ← ((saddrg))					
	A, mem	1 to 5	A ← (mem)					
	[saddrp], A	2/3	((saddrp)) ← A					
	[%saddrg], A	3/4	((saddrg)) ← A					
	mem, A	1 to 5	(mem) ← A					
	PSWL, #byte	3	PSWL ← byte					× × × × ×
	PSWH, #byte	3	PSWH ← byte					
	PSWL, A	2	PSWL ← A					× × × × ×
	PSWH, A	2	PSWH ← A					
	A, PSWL	2	A ← PSWL					
	A, PSWH	2	A ← PSWH					
r3, #byte	3	r3 ← byte						
A, r3	2	A ← r3						
r3, A	2	r3 ← A						

(2) 16-bit data transfer instruction: MOVW

Mnemonic	Operands	Bytes	Operation	Flags				
				S	Z	AC	P/V	CY
MOVW	rp, #word	3	rp ← word					
	saddrp, #word	4/5	(saddrp) ← word					
	sfrp, #word	4	sfrp ← word					
	!addr16, #word	6	(addr16) ← word					
	!!addr24, #word	7	(addr24) ← word					
	rp, rp'	2	rp ← rp'					
	AX, saddrp2	2	AX ← (saddrp2)					
	rp, saddrp	3	rp ← (saddrp)					
	saddrp2, AX	2	(saddrp2) ← AX					
	saddrp, rp	3	(saddrp) ← rp					
	AX, sfrp	2	AX ← sfrp					
	rp, sfrp	3	rp ← sfrp					
	sfrp, AX	2	sfrp ← AX					
	sfrp, rp	3	sfrp ← rp					
	saddrp, saddrp'	4	(saddrp) ← (saddrp')					
	rp, !addr16	4	rp ← (addr16)					
	!addr16, rp	4	(addr16) ← rp					
	rp, !!addr24	5	rp ← (addr24)					
	!!addr24, rp	5	(addr24) ← rp					
	AX, [saddrp]	3/4	AX ← ((saddrp))					
	AX, [%saddrg]	3/4	AX ← ((saddrg))					
	AX, mem	2 to 5	AX ← (mem)					
	[saddrp], AX	3/4	((saddrp)) ← AX					
	[%saddrg], AX	3/4	((saddrg)) ← AX					
	mem, AX	2 to 5	(mem) ← AX					

(3) 24-bit data transfer instruction: MOVG

Mnemonic	Operands	Bytes	Operation	Flags				
				S	Z	AC	P/V	CY
MOVG	rg, #imm24	5	rg ← imm24					
	rg, rg'	2	rg ← rg'					
	rg, !!addr24	5	rg ← (addr24)					
	!!addr24, rg	5	(addr24) ← rg					
	rg, saddrg	3	rg ← (saddrg)					
	saddrg, rg	3	(saddrg) ← rg					
	WHL, [%saddrg]	3/4	WHL ← ((saddrg))					
	[%saddrg], WHL	3/4	((saddrg) ← WHL)					
	WHL, mem1	2 to 5	WHL ← (mem1)					
mem1, WHL	2 to 5	(mem1) ← WHL						

(4) 8-bit data exchange instruction: XCH

Mnemonic	Operands	Bytes	Operation	Flags				
				S	Z	AC	P/V	CY
XCH	r, r'	2/3	r ↔ r'					
	A, r	1/2	A ↔ r					
	A, saddr2	2	A ↔ (saddr2)					
	r, saddr	3	r ↔ (saddr)					
	r, sfr	3	r ↔ sfr					
	saddr, saddr'	4	(saddr) ↔ (saddr')					
	r, !addr16	4	r ↔ (addr16)					
	r, !!addr24	5	r ↔ (addr24)					
	A, [saddrp]	2/3	A ↔ ((saddrp))					
	A, [%saddrg]	3/4	A ↔ ((saddrg))					
	A, mem	2 to 5	A ↔ (mem)					

(5) 16-bit data exchange instruction: XCHW

Mnemonic	Operands	Bytes	Operation	Flags				
				S	Z	AC	P/V	CY
XCHW	rp, rp'	2	rp ↔ rp'					
	AX, saddrp2	2	AX ↔ (saddrp2)					
	rp, saddrp	3	rp ↔ (saddrp)					
	rp, sfrp	3	rp ↔ sfrp					
	AX, [saddrp]	3/4	AX ↔ ((saddrp))					
	AX, [%saddrg]	3/4	AX ↔ ((saddrg))					
	AX, !addr16	4	AX ↔ (addr16)					
	AX, !!addr24	5	AX ↔ (addr24)					
	saddrp, saddrp'	4	(saddrp) ↔ (saddrp')					
	AX, mem	2 to 5	AX ↔ (mem)					

(6) 8-bit operation instructions: ADD, ADDC, SUB, SUBC, CMP, AND, OR, XOR

Mnemonic	Operands	Bytes	Operation	Flags				
				S	Z	AC	P/V	CY
ADD	A, #byte	2	A, CY ← A + byte	×	×	×	V	×
	r, #byte	3	r, CY ← r + byte	×	×	×	V	×
	saddr, #byte	3/4	(saddr), CY ← (saddr) + byte	×	×	×	V	×
	sfr, #byte	4	sfr, CY ← sfr + byte	×	×	×	V	×
	r, r'	2/3	r, CY ← r + r'	×	×	×	V	×
	A, saddr2	2	A, CY ← A + (saddr2)	×	×	×	V	×
	r, saddr	3	r, CY ← r + (saddr)	×	×	×	V	×
	saddr, r	3	(saddr), CY ← (saddr) + r	×	×	×	V	×
	r, sfr	3	r, CY ← r + sfr	×	×	×	V	×
	sfr, r	3	sfr, CY ← sfr + r	×	×	×	V	×
	saddr, saddr'	4	(saddr), CY ← (saddr) + (saddr')	×	×	×	V	×
	A, [saddrp]	3/4	A, CY ← A + ((saddrp))	×	×	×	V	×
	A, [%saddrg]	3/4	A, CY ← A + ((saddrg))	×	×	×	V	×
	[saddrp], A	3/4	((saddrp)), CY ← ((saddrp)) + A	×	×	×	V	×
	[%saddrg], A	3/4	((saddrg)), CY ← ((saddrg)) + A	×	×	×	V	×
	A, !addr16	4	A, CY ← A + (addr16)	×	×	×	V	×
	A, !!addr24	5	A, CY ← A + (addr24)	×	×	×	V	×
	!addr16, A	4	(addr16), CY ← (addr16) + A	×	×	×	V	×
	!!addr24, A	5	(addr24), CY ← (addr24) + A	×	×	×	V	×
	A, mem	2 to 5	A, CY ← A + (mem)	×	×	×	V	×
	mem, A	2 to 5	(mem), CY ← (mem) + A	×	×	×	V	×

Mnemonic	Operands	Bytes	Operation	Flags				
				S	Z	AC	P/V	CY
ADDC	A, #byte	2	$A, CY \leftarrow A + \text{byte} + CY$	x	x	x	V	x
	r, #byte	3	$r, CY \leftarrow r + \text{byte} + CY$	x	x	x	V	x
	saddr, #byte	3/4	$(\text{saddr}), CY \leftarrow (\text{saddr}) + \text{byte} + CY$	x	x	x	V	x
	sfr, #byte	4	$\text{sfr}, CY \leftarrow \text{sfr} + \text{byte} + CY$	x	x	x	V	x
	r, r'	2/3	$r, CY \leftarrow r + r' + CY$	x	x	x	V	x
	A, saddr2	2	$A, CY \leftarrow A + (\text{saddr2}) + CY$	x	x	x	V	x
	r, saddr	3	$r, CY \leftarrow r + (\text{saddr}) + CY$	x	x	x	V	x
	saddr, r	3	$(\text{saddr}), CY \leftarrow (\text{saddr}) + r + CY$	x	x	x	V	x
	r, sfr	3	$r, CY \leftarrow r + \text{sfr} + CY$	x	x	x	V	x
	sfr, r	3	$\text{sfr}, CY \leftarrow \text{sfr} + r + CY$	x	x	x	V	x
	saddr, saddr'	4	$(\text{saddr}), CY \leftarrow (\text{saddr}) + (\text{saddr}') + CY$	x	x	x	V	x
	A, [saddrp]	3/4	$A, CY \leftarrow A + ((\text{saddrp})) + CY$	x	x	x	V	x
	A, [%saddrg]	3/4	$A, CY \leftarrow A + ((\text{saddrg})) + CY$	x	x	x	V	x
	[saddrp], A	3/4	$((\text{saddrp})), CY \leftarrow ((\text{saddrp})) + A + CY$	x	x	x	V	x
	[%saddrg], A	3/4	$((\text{saddrg})), CY \leftarrow ((\text{saddrg})) + A + CY$	x	x	x	V	x
	A, !addr16	4	$A, CY \leftarrow A + (\text{addr16}) + CY$	x	x	x	V	x
	A, !!addr24	5	$A, CY \leftarrow A + (\text{addr24}) + CY$	x	x	x	V	x
	!addr16, A	4	$(\text{addr16}), CY \leftarrow (\text{addr16}) + A + CY$	x	x	x	V	x
	!!addr24, A	5	$(\text{addr24}), CY \leftarrow (\text{addr24}) + A + CY$	x	x	x	V	x
	A, mem	2 to 5	$A, CY \leftarrow A + (\text{mem}) + CY$	x	x	x	V	x
mem, A	2 to 5	$(\text{mem}), CY \leftarrow (\text{mem}) + A + CY$	x	x	x	V	x	

Mnemonic	Operands	Bytes	Operation	Flags				
				S	Z	AC	P/V	CY
SUB	A, #byte	2	A, CY ← A – byte	×	×	×	V	×
	r, #byte	3	r, CY ← r – byte	×	×	×	V	×
	saddr, #byte	3/4	(saddr), CY ← (saddr) – byte	×	×	×	V	×
	sfr, #byte	4	sfr, CY ← sfr – byte	×	×	×	V	×
	r, r'	2/3	r, CY ← r – r'	×	×	×	V	×
	A, saddr2	2	A, CY ← A – (saddr2)	×	×	×	V	×
	r, saddr	3	r, CY ← r – (saddr)	×	×	×	V	×
	saddr, r	3	(saddr), CY ← (saddr) – r	×	×	×	V	×
	r, sfr	3	r, CY ← r – sfr	×	×	×	V	×
	sfr, r	3	sfr, CY ← sfr – r	×	×	×	V	×
	saddr, saddr'	4	(saddr), CY ← (saddr) – (saddr')	×	×	×	V	×
	A, [saddrp]	3/4	A, CY ← A – ((saddrp))	×	×	×	V	×
	A, [%saddrg]	3/4	A, CY ← A – ((saddrg))	×	×	×	V	×
	[saddrp], A	3/4	((saddrp)), CY ← ((saddrp)) – A	×	×	×	V	×
	[%saddrg], A	3/4	((saddrg)), CY ← ((saddrg)) – A	×	×	×	V	×
	A, !addr16	4	A, CY ← A – (addr16)	×	×	×	V	×
	A, !!addr24	5	A, CY ← A – (addr24)	×	×	×	V	×
	!addr16, A	4	(addr16), CY ← (addr16) – A	×	×	×	V	×
	!!addr24, A	5	(addr24), CY ← (addr24) – A	×	×	×	V	×
	A, mem	2 to 5	A, CY ← A – (mem)	×	×	×	V	×
mem, A	2 to 5	(mem), CY ← (mem) – A	×	×	×	V	×	

Mnemonic	Operands	Bytes	Operation	Flags				
				S	Z	AC	P/V	CY
SUBC	A, #byte	2	$A, CY \leftarrow A - \text{byte} - CY$	x	x	x	V	x
	r, #byte	3	$r, CY \leftarrow r - \text{byte} - CY$	x	x	x	V	x
	saddr, #byte	3/4	$(\text{saddr}), CY \leftarrow (\text{saddr}) - \text{byte} - CY$	x	x	x	V	x
	sfr, #byte	4	$\text{sfr}, CY \leftarrow \text{sfr} - \text{byte} - CY$	x	x	x	V	x
	r, r'	2/3	$r, CY \leftarrow r - r' - CY$	x	x	x	V	x
	A, saddr2	2	$A, CY \leftarrow A - (\text{saddr2}) - CY$	x	x	x	V	x
	r, saddr	3	$r, CY \leftarrow r - (\text{saddr}) - CY$	x	x	x	V	x
	saddr, r	3	$(\text{saddr}), CY \leftarrow (\text{saddr}) - r - CY$	x	x	x	V	x
	r, sfr	3	$r, CY \leftarrow r - \text{sfr} - CY$	x	x	x	V	x
	sfr, r	3	$\text{sfr}, CY \leftarrow \text{sfr} - r - CY$	x	x	x	V	x
	saddr, saddr'	4	$(\text{saddr}), CY \leftarrow (\text{saddr}) - (\text{saddr}') - CY$	x	x	x	V	x
	A, [saddrp]	3/4	$A, CY \leftarrow A - ((\text{saddrp})) - CY$	x	x	x	V	x
	A, [%saddrg]	3/4	$A, CY \leftarrow A - ((\text{saddrg})) - CY$	x	x	x	V	x
	[saddrp], A	3/4	$((\text{saddrp})), CY \leftarrow ((\text{saddrp})) - A - CY$	x	x	x	V	x
	[%saddrg], A	3/4	$((\text{saddrg})), CY \leftarrow ((\text{saddrg})) - A - CY$	x	x	x	V	x
	A, !addr16	4	$A, CY \leftarrow A - (\text{addr16}) - CY$	x	x	x	V	x
	A, !!addr24	5	$A, CY \leftarrow A - (\text{addr24}) - CY$	x	x	x	V	x
	!addr16, A	4	$(\text{addr16}), CY \leftarrow (\text{addr16}) - A - CY$	x	x	x	V	x
	!!addr24, A	5	$(\text{addr24}), CY \leftarrow (\text{addr24}) - A - CY$	x	x	x	V	x
	A, mem	2 to 5	$A, CY \leftarrow A - (\text{mem}) - CY$	x	x	x	V	x
mem, A	2 to 5	$(\text{mem}), CY \leftarrow (\text{mem}) - A - CY$	x	x	x	V	x	

Mnemonic	Operands	Bytes	Operation	Flags				
				S	Z	AC	P/V	CY
CMP	A, #byte	2	A – byte	×	×	×	V	×
	r, #byte	3	r – byte	×	×	×	V	×
	saddr, #byte	3/4	(saddr) – byte	×	×	×	V	×
	sfr, #byte	4	sfr – byte	×	×	×	V	×
	r, r'	2/3	r – r'	×	×	×	V	×
	A, saddr2	2	A – (saddr2)	×	×	×	V	×
	r, saddr	3	r – (saddr)	×	×	×	V	×
	saddr, r	3	(saddr) – r	×	×	×	V	×
	r, sfr	3	r – sfr	×	×	×	V	×
	sfr, r	3	sfr – r	×	×	×	V	×
	saddr, saddr'	4	(saddr) – (saddr')	×	×	×	V	×
	A, [saddrp]	3/4	A – ((saddrp))	×	×	×	V	×
	A, [%saddrg]	3/4	A – ((saddrg))	×	×	×	V	×
	[saddrp], A	3/4	((saddrp)) – A	×	×	×	V	×
	[%saddrg], A	3/4	((saddrg)) – A	×	×	×	V	×
	A, !addr16	4	A – (addr16)	×	×	×	V	×
	A, !!addr24	5	A – (addr24)	×	×	×	V	×
	!addr16, A	4	(addr16) – A	×	×	×	V	×
	!!addr24, A	5	(addr24) – A	×	×	×	V	×
	A, mem	2 to 5	A – (mem)	×	×	×	V	×
mem, A	2 to 5	(mem) – A	×	×	×	V	×	

Mnemonic	Operands	Bytes	Operation	Flags				
				S	Z	AC	P/V	CY
AND	A, #byte	2	$A \leftarrow A \wedge \text{byte}$	x	x		P	
	r, #byte	3	$r \leftarrow r \wedge \text{byte}$	x	x		P	
	saddr, #byte	3/4	$(\text{saddr}) \leftarrow (\text{saddr}) \wedge \text{byte}$	x	x		P	
	sfr, #byte	4	$\text{sfr} \leftarrow \text{sfr} \wedge \text{byte}$	x	x		P	
	r, r'	2/3	$r \leftarrow r \wedge r'$	x	x		P	
	A, saddr2	2	$A \leftarrow A \wedge (\text{saddr2})$	x	x		P	
	r, saddr	3	$r \leftarrow r \wedge (\text{saddr})$	x	x		P	
	saddr, r	3	$(\text{saddr}) \leftarrow (\text{saddr}) \wedge r$	x	x		P	
	r, sfr	3	$r \leftarrow r \wedge \text{sfr}$	x	x		P	
	sfr, r	3	$\text{sfr} \leftarrow \text{sfr} \wedge r$	x	x		P	
	saddr, saddr'	4	$(\text{saddr}) \leftarrow (\text{saddr}) \wedge (\text{saddr}')$	x	x		P	
	A, [saddrp]	3/4	$A \leftarrow A \wedge ((\text{saddrp}))$	x	x		P	
	A, [%saddrg]	3/4	$A \leftarrow A \wedge ((\text{saddrg}))$	x	x		P	
	[saddrp], A	3/4	$((\text{saddrp})) \leftarrow ((\text{saddrp})) \wedge A$	x	x		P	
	[%saddrg], A	3/4	$((\text{saddrg})) \leftarrow ((\text{saddrg})) \wedge A$	x	x		P	
	A, !addr16	4	$A \leftarrow A \wedge (\text{addr16})$	x	x		P	
	A, !!addr24	5	$A \leftarrow A \wedge (\text{addr24})$	x	x		P	
	!addr16, A	4	$(\text{addr16}) \leftarrow (\text{addr16}) \wedge A$	x	x		P	
	!!addr24, A	5	$(\text{addr24}) \leftarrow (\text{addr24}) \wedge A$	x	x		P	
	A, mem	2 to 5	$A \leftarrow A \wedge (\text{mem})$	x	x		P	
mem, A	2 to 5	$(\text{mem}) \leftarrow (\text{mem}) \wedge A$	x	x		P		

Mnemonic	Operands	Bytes	Operation	Flags				
				S	Z	AC	P/V	CY
OR	A, #byte	2	$A \leftarrow A \vee \text{byte}$	x	x		P	
	r, #byte	3	$r \leftarrow r \vee \text{byte}$	x	x		P	
	saddr, #byte	3/4	$(\text{saddr}) \leftarrow (\text{saddr}) \vee \text{byte}$	x	x		P	
	sfr, #byte	4	$\text{sfr} \leftarrow \text{sfr} \vee \text{byte}$	x	x		P	
	r, r'	2/3	$r \leftarrow r \vee r'$	x	x		P	
	A, saddr2	2	$A \leftarrow A \vee (\text{saddr2})$	x	x		P	
	r, saddr	3	$r \leftarrow r \vee (\text{saddr})$	x	x		P	
	saddr, r	3	$(\text{saddr}) \leftarrow (\text{saddr}) \vee r$	x	x		P	
	r, sfr	3	$r \leftarrow r \vee \text{sfr}$	x	x		P	
	sfr, r	3	$\text{sfr} \leftarrow \text{sfr} \vee r$	x	x		P	
	saddr, saddr'	4	$(\text{saddr}) \leftarrow (\text{saddr}) \vee (\text{saddr}')$	x	x		P	
	A, [saddrp]	3/4	$A \leftarrow A \vee ((\text{saddrp}))$	x	x		P	
	A, [%saddrg]	3/4	$A \leftarrow A \vee ((\text{saddrg}))$	x	x		P	
	[saddrp], A	3/4	$((\text{saddrp})) \leftarrow ((\text{saddrp})) \vee A$	x	x		P	
	[%saddrg], A	3/4	$((\text{saddrg})) \leftarrow ((\text{saddrg})) \vee A$	x	x		P	
	A, !addr16	4	$A \leftarrow A \vee (\text{addr16})$	x	x		P	
	A, !!addr24	5	$A \leftarrow A \vee (\text{addr24})$	x	x		P	
	!addr16, A	4	$(\text{addr16}) \leftarrow (\text{addr16}) \vee A$	x	x		P	
	!!addr24, A	5	$(\text{addr24}) \leftarrow (\text{addr24}) \vee A$	x	x		P	
	A, mem	2 to 5	$A \leftarrow A \vee (\text{mem})$	x	x		P	
mem, A	2 to 5	$(\text{mem}) \leftarrow (\text{mem}) \vee A$	x	x		P		

Mnemonic	Operands	Bytes	Operation	Flags				
				S	Z	AC	P/V	CY
XOR	A, #byte	2	$A \leftarrow A \nabla \text{byte}$	x	x			P
	r, #byte	3	$r \leftarrow r \nabla \text{byte}$	x	x			P
	saddr, #byte	3/4	$(\text{saddr}) \leftarrow (\text{saddr}) \nabla \text{byte}$	x	x			P
	sfr, #byte	4	$\text{sfr} \leftarrow \text{sfr} \nabla \text{byte}$	x	x			P
	r, r'	2/3	$r \leftarrow r \nabla r'$	x	x			P
	A, saddr2	2	$A \leftarrow A \nabla (\text{saddr2})$	x	x			P
	r, saddr	3	$r \leftarrow r \nabla (\text{saddr})$	x	x			P
	saddr, r	3	$(\text{saddr}) \leftarrow (\text{saddr}) \nabla r$	x	x			P
	r, sfr	3	$r \leftarrow r \nabla \text{sfr}$	x	x			P
	sfr, r	3	$\text{sfr} \leftarrow \text{sfr} \nabla r$	x	x			P
	saddr, saddr'	4	$(\text{saddr}) \leftarrow (\text{saddr}) \nabla (\text{saddr}')$	x	x			P
	A, [saddrp]	3/4	$A \leftarrow A \nabla ((\text{saddrp}))$	x	x			P
	A, [%saddrg]	3/4	$A \leftarrow A \nabla ((\text{saddrg}))$	x	x			P
	[saddrp], A	3/4	$((\text{saddrp})) \leftarrow ((\text{saddrp})) \nabla A$	x	x			P
	[%saddrg], A	3/4	$((\text{saddrg})) \leftarrow ((\text{saddrg})) \nabla A$	x	x			P
	A, !addr16	4	$A \leftarrow A \nabla (\text{addr16})$	x	x			P
	A, !!addr24	5	$A \leftarrow A \nabla (\text{addr24})$	x	x			P
	!addr16, A	4	$(\text{addr16}) \leftarrow (\text{addr16}) \nabla A$	x	x			P
	!!addr24, A	5	$(\text{addr24}) \leftarrow (\text{addr24}) \nabla A$	x	x			P
	A, mem	2 to 5	$A \leftarrow A \nabla (\text{mem})$	x	x			P
mem, A	2 to 5	$(\text{mem}) \leftarrow (\text{mem}) \nabla A$	x	x			P	

(7) 16-bit operation instructions: ADDW, SUBW, CMPW

Mnemonic	Operands	Bytes	Operation	Flags				
				S	Z	AC	P/V	CY
ADDW	AX, #word	3	AX, CY ← AX + word	×	×	×	V	×
	rp, #word	4	rp, CY ← rp + word	×	×	×	V	×
	rp, rp'	2	rp, CY ← rp + rp'	×	×	×	V	×
	AX, saddrp2	2	AX, CY ← AX + (saddrp2)	×	×	×	V	×
	rp, saddrp	3	rp, CY ← rp + (saddrp)	×	×	×	V	×
	saddrp, rp	3	(saddrp), CY ← (saddrp) + rp	×	×	×	V	×
	rp, sfrp	3	rp, CY ← rp + sfrp	×	×	×	V	×
	sfrp, rp	3	sfrp, CY ← sfrp + rp	×	×	×	V	×
	saddrp, #word	4/5	(saddrp), CY ← (saddrp) + word	×	×	×	V	×
	sfrp, #word	5	sfrp, CY ← sfrp + word	×	×	×	V	×
	saddrp, saddrp'	4	(saddrp), CY ← (saddrp) + (saddrp')	×	×	×	V	×
SUBW	AX, #word	3	AX, CY ← AX – word	×	×	×	V	×
	rp, #word	4	rp, CY ← rp – word	×	×	×	V	×
	rp, rp'	2	rp, CY ← rp – rp'	×	×	×	V	×
	AX, saddrp2	2	AX, CY ← AX – (saddrp2)	×	×	×	V	×
	rp, saddrp	3	rp, CY ← rp – (saddrp)	×	×	×	V	×
	saddrp, rp	3	(saddrp), CY ← (saddrp) – rp	×	×	×	V	×
	rp, sfrp	3	rp, CY ← rp – sfrp	×	×	×	V	×
	sfrp, rp	3	sfrp, CY ← sfrp – rp	×	×	×	V	×
	saddrp, #word	4/5	(saddrp), CY ← (saddrp) – word	×	×	×	V	×
	sfrp, #word	5	sfrp, CY ← sfrp – word	×	×	×	V	×
	saddrp, saddrp'	4	(saddrp), CY ← (saddrp) – (saddrp')	×	×	×	V	×
CMPW	AX, #word	3	AX – word	×	×	×	V	×
	rp, #word	4	rp – word	×	×	×	V	×
	rp, rp'	2	rp – rp'	×	×	×	V	×
	AX, saddrp2	2	AX – (saddrp2)	×	×	×	V	×
	rp, saddrp	3	rp – (saddrp)	×	×	×	V	×
	saddrp, rp	3	(saddrp) – rp	×	×	×	V	×
	rp, sfrp	3	rp – sfrp	×	×	×	V	×
	sfrp, rp	3	sfrp – rp	×	×	×	V	×
	saddrp, #word	4/5	(saddrp) – word	×	×	×	V	×
	sfrp, #word	5	sfrp – word	×	×	×	V	×
	saddrp, saddrp'	4	(saddrp) – (saddrp')	×	×	×	V	×

(8) 24-bit operation instructions: ADDG, SUBG

Mnemonic	Operands	Bytes	Operation	Flags				
				S	Z	AC	P/V	CY
ADDG	rg, rg'	2	rg, CY \leftarrow rg + rg'	x	x	x	V	x
	rg, #imm24	5	rg, CY \leftarrow rg + #imm24	x	x	x	V	x
	WHL, saddrg	3	WHL, CY \leftarrow WHL + (saddrg)	x	x	x	V	x
SUBG	rg, rg'	2	rg, CY \leftarrow rg - rg'	x	x	x	V	x
	rg, #imm24	5	rg, CY \leftarrow rg - imm24	x	x	x	V	x
	WHL, saddrg	3	WHL, CY \leftarrow WHL - (saddrg)	x	x	x	V	x

(9) Multiplication instructions: MULU, MULUW, MULW, DIVUW, DIVUX

Mnemonic	Operands	Bytes	Operation	Flags				
				S	Z	AC	P/V	CY
MULU	r	2/3	AX \leftarrow A \times r					
MULUW	rp	2	AX (upper half), rp (lower half) \leftarrow AX \times rp					
MULW	rp	2	AX (upper half), rp (lower half) \leftarrow AX \times rp					
DIVUW	r	2/3	AX (quotient), r (remainder) \leftarrow AX \div r ^{Note 1}					
DIVUX	rp	2	AXDE (quotient), rp (remainder) \leftarrow AXDE \div rp ^{Note 2}					

- Notes 1.** When r = 0, r \leftarrow X, AX \leftarrow FFFFH
2. When rp = 0, pr \leftarrow DE, AXDE \leftarrow FFFFFFFFH

(10) Special operation instructions: MACW, MACSW, SACW

Mnemonic	Operands	Bytes	Operation	Flags				
				S	Z	AC	P/V	CY
MACW	byte	3	AXDE \leftarrow (B) \times (C) + AXDE, B \leftarrow B + 2, C \leftarrow C + 2, byte \leftarrow byte - 1 End if(byte = 0 or P/V = 1)	x	x	x	V	x
MACSW	byte	3	AXDE \leftarrow (B) \times (C) + AXDE, B \leftarrow B + 2, C \leftarrow C + 2, byte \leftarrow byte - 1 if byte = 0 then End if P/V = 1 then if overflow AXDE \leftarrow 7FFFFFFFH, End if underflow AXDE \leftarrow 80000000H, End	x	x	x	V	x
SACW	[TDE+], [WHL+]	4	AX \leftarrow (TDE) - (WHL) + AX, TDE \leftarrow TDE + 2, WHL \leftarrow WHL + 2 C \leftarrow C - 1 End if(C = 0 or CY = 1)	x	x	x	V	x

(11) Increment/decrement instructions: INC, DEC, INCW, DECW, INCG, DECG

Mnemonic	Operands	Bytes	Operation	Flags				
				S	Z	AC	P/V	CY
INC	r	1/2	$r \leftarrow r + 1$	×	×	×	V	
	saddr	2/3	$(saddr) \leftarrow (saddr) + 1$	×	×	×	V	
DEC	r	1/2	$r \leftarrow r - 1$	×	×	×	V	
	saddr	2/3	$(saddr) \leftarrow (saddr) - 1$	×	×	×	V	
INCW	rp	2/1	$rp \leftarrow rp + 1$					
	saddrp	3/4	$(saddrp) \leftarrow (saddrp) + 1$					
DECW	rp	2/1	$rp \leftarrow rp - 1$					
	saddrp	3/4	$(saddrp) \leftarrow (saddrp) - 1$					
INCG	rg	2	$rg \leftarrow rg + 1$					
DECG	rg	2	$rg \leftarrow rg - 1$					

(12) Adjustment instructions: ADJBA, ADJBS, CVTBW

Mnemonic	Operands	Bytes	Operation	Flags				
				S	Z	AC	P/V	CY
ADJBA		2	Decimal Adjust Accumulator after Addition	×	×	×	P	×
ADJBS		2	Decimal Adjust Accumulator after Subtract	×	×	×	P	×
CVTBW		1	$X \leftarrow A, A \leftarrow 00H$ if $A_7 = 0$ $X \leftarrow A, A \leftarrow FFH$ if $A_7 = 1$					

(13) Shift/rotate instructions: ROR, ROL, RORC, ROLC, SHR, SHL, SHRW, SHLW, ROR4, ROL4

Mnemonic	Operands	Bytes	Operation	Flags				
				S	Z	AC	P/V	CY
ROR	r, n	2/3	$(CY, r7 \leftarrow r0, r_{m-1} \leftarrow r_m) \times n \text{ times } n = 0 - 7$				P	×
ROL	r, n	2/3	$(CY, r0 \leftarrow r7, r_{m+1} \leftarrow r_m) \times n \text{ times } n = 0 - 7$				P	×
RORC	r, n	2/3	$(CY \leftarrow r0, r7 \leftarrow CY, r_{m-1} \leftarrow r_m) \times n \text{ times } n = 0 - 7$				P	×
ROLC	r, n	2/3	$(CY \leftarrow r7, r0 \leftarrow CY, r_{m+1} \leftarrow r_m) \times n \text{ times } n = 0 - 7$				P	×
SHR	r, n	2/3	$(CY \leftarrow r0, r7 \leftarrow 0, r_{m-1} \leftarrow r_m) \times n \text{ times } n = 0 - 7$	×	×	0	P	×
SHL	r, n	2/3	$(CY \leftarrow r7, r0 \leftarrow 0, r_{m+1} \leftarrow r_m) \times n \text{ times } n = 0 - 7$	×	×	0	P	×
SHRW	rp, n	2	$(CY \leftarrow rp0, rp15 \leftarrow 0, rp_{m-1} \leftarrow rp_m) \times n \text{ times } n = 0 - 7$	×	×	0	P	×
SHLW	rp, n	2	$(CY \leftarrow rp15, rp0 \leftarrow 0, rp_{m+1} \leftarrow rp_m) \times n \text{ times } n = 0 - 7$	×	×	0	P	×
ROR4	mem3	2	$A_{3-0} \leftarrow (\text{mem3})_{3-0}, (\text{mem3})_{7-4} \leftarrow A_{3-0}, (\text{mem3})_{3-0} \leftarrow (\text{mem3})_{7-4}$					
ROL4	mem3	2	$A_{3-0} \leftarrow (\text{mem3})_{7-4}, (\text{mem3})_{3-0} \leftarrow A_{3-0}, (\text{mem3})_{7-4} \leftarrow (\text{mem3})_{3-0}$					

(14) Bit manipulation instructions: MOV1, AND1, OR1, XOR1, NOT1, SET1, CLR1

Mnemonic	Operands	Bytes	Operation	Flags				
				S	Z	AC	P/V	CY
MOV1	CY, saddr.bit	3/4	$CY \leftarrow (\text{saddr.bit})$					×
	CY, sfr.bit	3	$CY \leftarrow \text{sfr.bit}$					×
	CY, X.bit	2	$CY \leftarrow X.bit$					×
	CY, A.bit	2	$CY \leftarrow A.bit$					×
	CY, PSWL.bit	2	$CY \leftarrow \text{PSWL.bit}$					×
	CY, PSWH.bit	2	$CY \leftarrow \text{PSWH.bit}$					×
	CY, !addr16.bit	5	$CY \leftarrow \text{!addr16.bit}$					×
	CY, !!addr24.bit	2	$CY \leftarrow \text{!!addr24.bit}$					×
	CY, mem2.bit	2	$CY \leftarrow \text{mem2.bit}$					×
	saddr.bit, CY	3/4	$(\text{saddr.bit}) \leftarrow CY$					
	sfr.bit, CY	3	$\text{sfr.bit} \leftarrow CY$					
	X.bit, CY	2	$X.bit \leftarrow CY$					
	A.bit, CY	2	$A.bit \leftarrow CY$					
	PSWL.bit, CY	2	$\text{PSWL.bit} \leftarrow CY$	×	×	×	×	×
	PSWH.bit, CY	2	$\text{PSWH.bit} \leftarrow CY$					
	!addr16.bit, CY	5	$\text{!addr16.bit} \leftarrow CY$					
	!!addr24.bit, CY	6	$\text{!!addr24.bit} \leftarrow CY$					
mem2.bit, CY	2	$\text{mem2.bit} \leftarrow CY$						

Mnemonic	Operands	Bytes	Operation	Flags					
				S	Z	AC	P/V	CY	
AND1	CY, saddr.bit	3/4	$CY \leftarrow CY \wedge (\text{saddr.bit})$						×
	CY, /saddr.bit	3/4	$CY \leftarrow CY \wedge \overline{(\text{saddr.bit})}$						×
	CY, sfr.bit	3	$CY \leftarrow CY \wedge \text{sfr.bit}$						×
	CY, /sfr.bit	3	$CY \leftarrow CY \wedge \overline{\text{sfr.bit}}$						×
	CY, X.bit	2	$CY \leftarrow CY \wedge X.bit$						×
	CY, /X.bit	2	$CY \leftarrow CY \wedge \overline{X.bit}$						×
	CY, A.bit	2	$CY \leftarrow CY \wedge A.bit$						×
	CY, /A.bit	2	$CY \leftarrow CY \wedge \overline{A.bit}$						×
	CY, PSWL.bit	2	$CY \leftarrow CY \wedge \text{PSWL.bit}$						×
	CY, /PSWL.bit	2	$CY \leftarrow CY \wedge \overline{\text{PSWL.bit}}$						×
	CY, PSWH.bit	2	$CY \leftarrow CY \wedge \text{PSWH.bit}$						×
	CY, /PSWH.bit	2	$CY \leftarrow CY \wedge \overline{\text{PSWH.bit}}$						×
	CY, laddr16.bit	5	$CY \leftarrow CY \wedge \text{laddr16.bit}$						×
	CY, /laddr16.bit	5	$CY \leftarrow CY \wedge \overline{\text{laddr16.bit}}$						×
	CY, !!addr24.bit	2	$CY \leftarrow CY \wedge \text{!!addr24.bit}$						×
	CY, /!addr24.bit	6	$CY \leftarrow CY \wedge \overline{\text{!!addr24.bit}}$						×
	CY, mem2.bit	2	$CY \leftarrow CY \wedge \text{mem2.bit}$						×
	CY, /mem2.bit	2	$CY \leftarrow CY \wedge \overline{\text{mem2.bit}}$						×
	OR1	CY, saddr.bit	3/4	$CY \leftarrow CY \vee (\text{saddr.bit})$					
CY, /saddr.bit		3/4	$CY \leftarrow CY \vee \overline{(\text{saddr.bit})}$						×
CY, sfr.bit		3	$CY \leftarrow CY \vee \text{sfr.bit}$						×
CY, /sfr.bit		3	$CY \leftarrow CY \vee \overline{\text{sfr.bit}}$						×
CY, X.bit		2	$CY \leftarrow CY \vee X.bit$						×
CY, /X.bit		2	$CY \leftarrow CY \vee \overline{X.bit}$						×
CY, A.bit		2	$CY \leftarrow CY \vee A.bit$						×
CY, /A.bit		2	$CY \leftarrow CY \vee \overline{A.bit}$						×
CY, PSWL.bit		2	$CY \leftarrow CY \vee \text{PSWL.bit}$						×
CY, /PSWL.bit		2	$CY \leftarrow CY \vee \overline{\text{PSWL.bit}}$						×
CY, PSWH.bit		2	$CY \leftarrow CY \vee \text{PSWH.bit}$						×
CY, /PSWH.bit		2	$CY \leftarrow CY \vee \overline{\text{PSWH.bit}}$						×
CY, laddr16.bit		5	$CY \leftarrow CY \vee \text{laddr16.bit}$						×
CY, /laddr16.bit		5	$CY \leftarrow CY \vee \overline{\text{laddr16.bit}}$						×
CY, !!addr24.bit		2	$CY \leftarrow CY \vee \text{!!addr24.bit}$						×
CY, /!addr24.bit		6	$CY \leftarrow CY \vee \overline{\text{!!addr24.bit}}$						×
CY, mem2.bit		2	$CY \leftarrow CY \vee \text{mem2.bit}$						×
CY, /mem2.bit		2	$CY \leftarrow CY \vee \overline{\text{mem2.bit}}$						×

Mnemonic	Operands	Bytes	Operation	Flags				
				S	Z	AC	P/V	CY
XOR1	CY, saddr.bit	3/4	$CY \leftarrow CY \nabla (saddr.bit)$					×
	CY, sfr.bit	3	$CY \leftarrow CY \nabla sfr.bit$					×
	CY, X.bit	2	$CY \leftarrow CY \nabla X.bit$					×
	CY, A.bit	2	$CY \leftarrow CY \nabla A.bit$					×
	CY, PSWL.bit	2	$CY \leftarrow CY \nabla PSWL.bit$					×
	CY, PSWH.bit	2	$CY \leftarrow CY \nabla PSWH.bit$					×
	CY, laddr16.bit	5	$CY \leftarrow CY \nabla laddr16.bit$					×
	CY, !addr24.bit	2	$CY \leftarrow CY \nabla !addr24.bit$					×
	CY, mem2.bit	2	$CY \leftarrow CY \nabla mem2.bit$					×
NOT1	saddr.bit	3/4	$(saddr.bit) \leftarrow \overline{(saddr.bit)}$					
	sfr.bit	3	$sfr.bit \leftarrow \overline{sfr.bit}$					
	X.bit	2	$X.bit \leftarrow \overline{X.bit}$					
	A.bit	2	$A.bit \leftarrow \overline{A.bit}$					
	PSWL.bit	2	$PSWL.bit \leftarrow \overline{PSWL.bit}$	×	×	×	×	×
	PSWH.bit	2	$PSWH.bit \leftarrow \overline{PSWH.bit}$					
	laddr16.bit	5	$laddr16.bit \leftarrow \overline{laddr16.bit}$					
	!addr24.bit	2	$!addr24.bit \leftarrow \overline{!addr24.bit}$					
	mem2.bit	2	$mem2.bit \leftarrow \overline{mem2.bit}$					
	CY	1	$CY \leftarrow \overline{CY}$					×
SET1	saddr.bit	2/3	$(saddr.bit) \leftarrow 1$					
	sfr.bit	3	$sfr.bit \leftarrow 1$					
	X.bit	2	$X.bit \leftarrow 1$					
	A.bit	2	$A.bit \leftarrow 1$					
	PSWL.bit	2	$PSWL.bit \leftarrow 1$	×	×	×	×	×
	PSWH.bit	2	$PSWH.bit \leftarrow 1$					
	laddr16.bit	5	$laddr16.bit \leftarrow 1$					
	!addr24.bit	2	$!addr24.bit \leftarrow 1$					
	mem2.bit	2	$mem2.bit \leftarrow 1$					
	CY	1	$CY \leftarrow 1$					1
CLR1	saddr.bit	2/3	$(saddr.bit) \leftarrow 0$					
	sfr.bit	3	$sfr.bit \leftarrow 0$					
	X.bit	2	$X.bit \leftarrow 0$					
	A.bit	2	$A.bit \leftarrow 0$					
	PSWL.bit	2	$PSWL.bit \leftarrow 0$	×	×	×	×	×
	PSWH.bit	2	$PSWH.bit \leftarrow 0$					
	laddr16.bit	5	$laddr16.bit \leftarrow 0$					
	!addr24.bit	2	$!addr24.bit \leftarrow 0$					
	mem2.bit	2	$mem2.bit \leftarrow 0$					
	CY	1	$CY \leftarrow 0$					0

(15) Stack manipulation instructions: PUSH, PUSHU, POP, POPU, MOVG, ADDWG, SUBWG, INCG, DECG

Mnemonic	Operands	Bytes	Operation	Flags				
				S	Z	AC	P/V	CY
PUSH	PSW	1	$(SP - 2) \leftarrow PSW, SP \leftarrow SP - 2$					
	sfrp	3	$(SP - 2) \leftarrow sfrp, SP \leftarrow SP - 2$					
	sfr	3	$(SP - 1) \leftarrow sfr, SP \leftarrow SP - 1$					
	post	2	$\{(SP - 2) \leftarrow post, SP \leftarrow SP - 2\} \times m \text{ times}^{\text{Note}}$					
	rg	2	$(SP - 3) \leftarrow rg, SP \leftarrow SP - 3$					
PUSHU	post	2	$\{(UUP - 2) \leftarrow post, UUP \leftarrow UUP - 2\} \times m \text{ times}^{\text{Note}}$					
POP	PSW	1	$PSW \leftarrow (SP), SP \leftarrow SP + 2$	R	R	R	R	R
	sfrp	3	$sfrp \leftarrow (SP), SP \leftarrow SP + 2$					
	sfr	3	$sfr \leftarrow (SP), SP \leftarrow SP + 1$					
	post	2	$\{post \leftarrow (SP), SP \leftarrow SP + 2\} \times m \text{ times}^{\text{Note}}$					
	rg	2	$rg \leftarrow (SP), SP \leftarrow SP + 3$					
POPU	post	2	$\{post \leftarrow (UUP), UUP \leftarrow UUP + 2\} \times m \text{ times}^{\text{Note}}$					
MOVG	SP, #imm24	5	$SP \leftarrow imm24$					
	SP, WHL	2	$SP \leftarrow WHL$					
	WHL, SP	2	$WHL \leftarrow SP$					
ADDWG	SP, #word	4	$SP \leftarrow SP + word$					
SUBWG	SP, #word	4	$SP \leftarrow SP - word$					
INCG	SP	2	$SP \leftarrow SP + 1$					
DECG	SP	2	$SP \leftarrow SP - 1$					

Note m = number of registers specified by "post"

(16) Call/return instructions: CALL, CALLF, CALLT, BRK, BRKCS, RET, RETI, RETB, RETCS, RETCSB

Mnemonic	Operands	Bytes	Operation	Flags				
				S	Z	AC	P/V	CY
CALL	!addr16	3	$(SP - 3) \leftarrow (PC + 3)$, $SP \leftarrow SP - 3$, $PC_{HW} \leftarrow 0$, $PC_{LW} \leftarrow \text{addr16}$					
	!!addr20	4	$(SP - 3) \leftarrow (PC + 4)$, $SP \leftarrow SP - 3$, $PC \leftarrow \text{addr20}$					
	rp	2	$(SP - 3) \leftarrow (PC + 2)$, $SP \leftarrow SP - 3$, $PC_{HW} \leftarrow 0$, $PC_{LW} \leftarrow rp$					
	rg	2	$(SP - 3) \leftarrow (PC + 2)$, $SP \leftarrow SP - 3$, $PC \leftarrow rg$					
	[rp]	2	$(SP - 3) \leftarrow (PC + 2)$, $SP \leftarrow SP - 3$, $PC_{HW} \leftarrow 0$, $PC_{LW} \leftarrow (rp)$					
	[rg]	2	$(SP - 3) \leftarrow (PC + 2)$, $SP \leftarrow SP - 3$, $PC \leftarrow (rg)$					
	!addr20	3	$(SP - 3) \leftarrow (PC + 3)$, $SP \leftarrow SP - 3$, $PC \leftarrow PC + 3 + \text{jdisp16}$					
CALLF	!addr11	2	$(SP - 3) \leftarrow (PC + 2)$, $SP \leftarrow SP - 3$, $PC_{19-12} \leftarrow 0$, $PC_{11} \leftarrow 1$, $PC_{10-0} \leftarrow \text{addr11}$					
CALLT	[addr5]	1	$(SP - 3) \leftarrow (PC + 1)$, $SP \leftarrow SP - 3$, $PC_{HW} \leftarrow 0$, $PC_{LW} \leftarrow (\text{addr5})$					
BRK		1	$(SP - 2) \leftarrow PSW$, $(SP - 1)_{0-3} \leftarrow (PC + 1)_{HW}$, $(SP - 4) \leftarrow (PC + 1)_{LW}$, $SP \leftarrow SP - 4$ $PC_{HW} \leftarrow 0$, $PC_{LW} \leftarrow (003EH)$					
BRKCS	R _{Bn}	2	$PC_{LW} \leftarrow RP2$, $RP3 \leftarrow PSW$, $RBS2 - 0 \leftarrow n$, $RSS \leftarrow 0$, $IE \leftarrow 0$, $RP_{38-11} \leftarrow PC_{HW}$, $PC_{HW} \leftarrow 0$					
RET		1	$PC \leftarrow (SP)$, $SP \leftarrow SP + 3$					
RETI		1	$PC_{LW} \leftarrow (SP)$, $PC_{HW} \leftarrow (SP + 3)_{0-3}$, $PSW \leftarrow (SP + 2)$, $SP \leftarrow SP + 4$ Clears to 0 flag with highest priority of flags of ISPR that are set (1)	R	R	R	R	R
RETB		1	$PC_{LW} \leftarrow (SP)$, $PC_{HW} \leftarrow (SP + 3)_{0-3}$, $PSW \leftarrow (SP + 2)$, $SP \leftarrow SP + 4$	R	R	R	R	R
RETCS	!addr16	3	$PSW \leftarrow RP3$, $PC_{LW} \leftarrow RP2$, $RP2 \leftarrow \text{addr16}$, $PC_{HW} \leftarrow RP_{38-11}$ Clears to 0 flag with highest priority of flags of ISPR that are set (1)	R	R	R	R	R
RETCSB	!addr16	4	$PSW \leftarrow RP3$, $PC_{LW} \leftarrow RP2$, $RP2 \leftarrow \text{addr16}$, $PC_{HW} \leftarrow RP_{38-11}$	R	R	R	R	R

(17) Unconditional branch instruction: BR

Mnemonic	Operands	Bytes	Operation	Flags				
				S	Z	AC	P/V	CY
BR	!addr16	3	$PC_{HW} \leftarrow 0, PC_{LW} \leftarrow \text{addr16}$					
	!!addr20	4	$PC \leftarrow \text{addr20}$					
	rp	2	$PC_{HW} \leftarrow 0, PC_{LW} \leftarrow \text{rp}$					
	rg	2	$PC \leftarrow \text{rg}$					
	[rp]	2	$PC_{HW} \leftarrow 0, PC_{LW} \leftarrow (\text{rp})$					
	[rg]	2	$PC \leftarrow (\text{rg})$					
	\$addr20	2	$PC \leftarrow PC + 2 + \text{jdisp8}$					
	!addr20	3	$PC \leftarrow PC + 3 + \text{jdisp16}$					

(18) Conditional branch instructions: **BNZ, BNE, BZ, BE, BNC, BNL, BC, BL, BNV, BPO, BV, BPE, BP, BN, BLT, BGE, BLE, BGT, BNH, BH, BF, BT, BTCLR, BFSET, DBNZ**

Mnemonic	Operands	Bytes	Operation	Flags				
				S	Z	AC	P/V	CY
BNZ	\$addr20	2	$PC \leftarrow PC + 2 + jdisp8$ if $Z = 0$					
BNE								
BZ	\$addr20	2	$PC \leftarrow PC + 2 + jdisp8$ if $Z = 1$					
BE								
BNC	\$addr20	2	$PC \leftarrow PC + 2 + jdisp8$ if $CY = 0$					
BNL								
BC	\$addr20	2	$PC \leftarrow PC + 2 + jdisp8$ if $CY = 1$					
BL								
BNV	\$addr20	2	$PC \leftarrow PC + 2 + jdisp8$ if $P/V = 0$					
BPO								
BV	\$addr20	2	$PC \leftarrow PC + 2 + jdisp8$ if $P/V = 1$					
BPE								
BP	\$addr20	2	$PC \leftarrow PC + 2 + jdisp8$ if $S = 0$					
BN	\$addr20	2	$PC \leftarrow PC + 2 + jdisp8$ if $S = 1$					
BLT	\$addr20	3	$PC \leftarrow PC + 3 + jdisp8$ if $P/V \nabla S = 1$					
BGE	\$addr20	3	$PC \leftarrow PC + 3 + jdisp8$ if $P/V \nabla S = 0$					
BLE	\$addr20	3	$PC \leftarrow PC + 3 + jdisp8$ if $(P/V \nabla S) \vee Z = 1$					
BGT	\$addr20	3	$PC \leftarrow PC + 3 + jdisp8$ if $(P/V \nabla S) \vee Z = 0$					
BNH	\$addr20	3	$PC \leftarrow PC + 3 + jdisp8$ if $Z \vee CY = 1$					
BH	\$addr20	3	$PC \leftarrow PC + 3 + jdisp8$ if $Z \vee CY = 0$					
BF	saddr.bit, \$addr20	4/5	$PC \leftarrow PC + 4^{Note} + jdisp8$ if (saddr.bit) = 0					
	sfr.bit, \$addr20	4	$PC \leftarrow PC + 4 + jdisp8$ if sfr.bit = 0					
	X.bit, \$addr20	3	$PC \leftarrow PC + 3 + jdisp8$ if X.bit = 0					
	A.bit, \$addr20	3	$PC \leftarrow PC + 3 + jdisp8$ if A.bit = 0					
	PSWL.bit, \$addr20	3	$PC \leftarrow PC + 3 + jdisp8$ if PSWL.bit = 0					
	PSWH.bit, \$addr20	3	$PC \leftarrow PC + 3 + jdisp8$ if PSWH.bit = 0					
	!addr16.bit, \$addr20	6	$PC \leftarrow PC + 3 + jdisp8$ if !addr16.bit = 0					
	!!addr24.bit, \$addr20	3	$PC \leftarrow PC + 3 + jdisp8$ if !!addr24.bit = 0					
mem2.bit, \$addr20	3	$PC \leftarrow PC + 3 + jdisp8$ if mem2.bit = 0						

Note When the number of bytes is 4. When 5, the operation is: $PC \leftarrow PC + 5 + jdisp8$.

Mnemonic	Operands	Bytes	Operation	Flags					
				S	Z	AC	P/V	CY	
BT	saddr.bit, \$addr20	3/4	$PC \leftarrow PC + 3^{\text{Note 1}} + \text{jdisp8}$ if (saddr.bit) = 1						
	sfr.bit, \$addr20	4	$PC \leftarrow PC + 4 + \text{jdisp8}$ if sfr.bit = 1						
	X.bit, \$addr20	3	$PC \leftarrow PC + 3 + \text{jdisp8}$ if X.bit = 1						
	A.bit, \$addr20	3	$PC \leftarrow PC + 3 + \text{jdisp8}$ if A.bit = 1						
	PSWL.bit, \$addr20	3	$PC \leftarrow PC + 3 + \text{jdisp8}$ if PSWL.bit = 1						
	PSWH.bit, \$addr20	3	$PC \leftarrow PC + 3 + \text{jdisp8}$ if PSWH.bit = 1						
	!addr16.bit, \$addr20	6	$PC \leftarrow PC + 3 + \text{jdisp8}$ if !addr16.bit = 1						
	!!addr24.bit, \$addr20	3	$PC \leftarrow PC + 3 + \text{jdisp8}$ if !!addr24.bit = 1						
BTCLR	mem2.bit, \$addr20	3	$PC \leftarrow PC + 3 + \text{jdisp8}$ if mem2.bit = 1						
	saddr.bit, \$addr20	4/5	{ $PC \leftarrow PC + 4^{\text{Note 2}} + \text{jdisp8}$, (saddr.bit) $\leftarrow 0$ } if (saddr.bit) = 1						
	sfr.bit, \$addr20	4	{ $PC \leftarrow PC + 4 + \text{jdisp8}$, sfr.bit $\leftarrow 0$ } if sfr.bit = 1						
	X.bit, \$addr20	3	{ $PC \leftarrow PC + 3 + \text{jdisp8}$, X.bit $\leftarrow 0$ } if X.bit = 1						
	A.bit, \$addr20	3	{ $PC \leftarrow PC + 3 + \text{jdisp8}$, A.bit $\leftarrow 0$ } if A.bit = 1						
	PSWL.bit, \$addr20	3	{ $PC \leftarrow PC + 3 + \text{jdisp8}$, PSWL.bit $\leftarrow 0$ } if PSWL.bit = 1	x	x	x	x	x	
	PSWH.bit, \$addr20	3	{ $PC \leftarrow PC + 3 + \text{jdisp8}$, PSWH.bit $\leftarrow 0$ } if PSWH.bit = 1						
	!addr16.bit, \$addr20	6	{ $PC \leftarrow PC + 3 + \text{jdisp8}$, !addr16.bit $\leftarrow 0$ } if !addr16.bit = 1						
	!!addr24.bit, \$addr20	3	{ $PC \leftarrow PC + 3 + \text{jdisp8}$, !!addr24.bit $\leftarrow 0$ } if !!addr24.bit = 1						
mem2.bit, \$addr20	3	{ $PC \leftarrow PC + 3 + \text{jdisp8}$, mem2.bit $\leftarrow 0$ } if mem2.bit = 1							

- Notes** 1. When the number of bytes is 3. When 4, the operation is: $PC \leftarrow PC + 4 + \text{jdisp8}$.
 2. When the number of bytes is 4. When 5, the operation is: $PC \leftarrow PC + 5 + \text{jdisp8}$.

Mnemonic	Operands	Bytes	Operation	Flags				
				S	Z	AC	P/V	CY
BFSET	saddr.bit, \$addr20	4/5	{PC ← PC + 4 ^{Note 2} + jdisp8, (saddr.bit) ← 1} if (saddr.bit) = 0					
	sfr.bit, \$addr20	4	{PC ← PC + 4 + jdisp8, sfr.bit ← 1} if sfr.bit = 0					
	X.bit, \$addr20	3	{PC ← PC + 3 + jdisp8, X.bit ← 1} if X.bit = 0					
	A.bit, \$addr20	3	{PC ← PC + 3 + jdisp8, A.bit ← 1} if A.bit = 0					
	PSWL.bit, \$addr20	3	{PC ← PC + 3 + jdisp8, PSWL.bit ← 1} if PSWL.bit = 0	x	x	x	x	x
	PSWH.bit, \$addr20	3	{PC ← PC + 3 + jdisp8, PSWH.bit ← 1} if PSWH.bit = 0					
	!addr16.bit, \$addr20	6	{PC ← PC + 3 + jdisp8, !addr16.bit ← 1} if !addr16.bit = 0					
	!!addr24.bit, \$addr20	3	{PC ← PC + 3 + jdisp8, !!addr24.bit ← 1} if !!addr24.bit = 0					
	mem2.bit, \$addr20	3	{PC ← PC + 3 + jdisp8, mem2.bit ← 1} if mem2.bit = 0					
DBNZ	B, \$addr20	2	B ← B - 1, PC ← PC + 2 + jdisp8 if B ≠ 0					
	C, \$addr20	2	C ← C - 1, PC ← PC + 2 + jdisp8 if C ≠ 0					
	\$addr, \$addr20	3/4	(saddr) ← (saddr) - 1, PC ← PC + 3 ^{Note 1} = jdisp8 if (saddr) ≠ 0					

- Notes 1.** When the number of bytes is 3. When 4, the operation is: PC ← PC + 4 + jdisp8.
2. When the number of bytes is 4. When 5, the operation is: PC ← PC + 5 + jdisp8.

(19) CPU control instructions: MOV, LOCATION, SEL, SWRS, NOP, EI, DI

Mnemonic	Operands	Bytes	Operation	Flags				
				S	Z	AC	P/V	CY
MOV	STBC, #byte	4	STBC ← byte					
	WDM, #byte	4	WDM ← byte					
LOCATION	locaddr	4	SFR, internal data area location address upper word specification					
SEL	RBn	2	RSS ← 0, RBS2 - 0 ← n					
	RBn, ALT	2	RSS ← 1, RBS2 - 0 ← n					
SWRS		2	RSS ← $\overline{\text{RSS}}$					
NOP		1	No Operaton					
EI		1	IE ← 1 (Enable interrupt)					
DI		1	IE ← 0 (Disable interrupt)					

(20) String instructions: MOVTLBW, MOVW, XCHM, MOVBK, XCHBK, CMPME, CMPMNE, CMPMC, CMPMNC, CMPBKE, CMPBKNE, CMPBKC, CMPBKNC

Mnemonic	Operands	Bytes	Operation	Flags					
				S	Z	AC	P/V	CY	
MOVTLBW	!addr8, byte	4	(addr8 + 2) ← (addr8), byte ← byte - 1, addr8 ← addr8 - 2 End if byte = 0						
MOVW	[TDE+], A	2	(TDE) ← A, TDE ← TDE + 1, C ← C - 1 End if C = 0						
	[TDE-], A	2	(TDE) ← A, TDE ← TDE - 1, C ← C - 1 End if C = 0						
XCHM	[TDE+], A	2	(TDE) ↔ A, TDE ← TDE + 1, C ← C - 1 End if C = 0						
	[TDE-], A	2	(TDE) ↔ A, TDE ← TDE - 1, C ← C - 1 End if C = 0						
MOVBK	[TDE+], [WHL+]	2	(TDE) ← (WHL), TDE ← TDE + 1, WHL ← WHL + 1, C ← C - 1 End if C = 0						
	[TDE-], [WHL-]	2	(TDE) ← (WHL), TDE ← TDE - 1, WHL ← WHL - 1, C ← C - 1 End if C = 0						
XCHBK	[TDE+], [WHL+]	2	(TDE) ↔ (WHL), TDE ← TDE + 1, WHL ← WHL + 1, C ← C - 1 End if C = 0						
	[TDE-], [WHL-]	2	(TDE) ↔ (WHL), TDE ← TDE - 1, WHL ← WHL - 1, C ← C - 1 End if C = 0						
CMPME	[TDE+], A	2	(TDE) - A, TDE ← TDE + 1, C ← C - 1 End if C = 0 or Z = 0	×	×	×	V	×	
	[TDE-], A	2	(TDE) - A, TDE ← TDE - 1, C ← C - 1 End if C = 0 or Z = 0	×	×	×	V	×	
CMPMNE	[TDE+], A	2	(TDE) - A, TDE ← TDE + 1, C ← C - 1 End if C = 0 or Z = 1	×	×	×	V	×	
	[TDE-], A	2	(TDE) - A, TDE ← TDE - 1, C ← C - 1 End if C = 0 or Z = 1	×	×	×	V	×	
CMPMC	[TDE+], A	2	(TDE) - A, TDE ← TDE + 1, C ← C - 1 End if C = 0 or CY = 0	×	×	×	V	×	
	[TDE-], A	2	(TDE) - A, TDE ← TDE - 1, C ← C - 1 End if C = 0 or CY = 0	×	×	×	V	×	
CMPMNC	[TDE+], A	2	(TDE) - A, TDE ← TDE + 1, C ← C - 1 End if C = 0 or CY = 1	×	×	×	V	×	
	[TDE-], A	2	(TDE) - A, TDE ← TDE - 1, C ← C - 1 End if C = 0 or CY = 1	×	×	×	V	×	
CMPBKE	[TDE+], [WHL+]	2	(TDE) ← (WHL), TDE ← TDE + 1, WHL ← WHL + 1, C ← C - 1 End if C = 0 or Z = 0	×	×	×	V	×	
	[TDE-], [WHL-]	2	(TDE) ← (WHL), TDE ← TDE - 1, WHL ← WHL - 1, C ← C - 1 End if C = 0 or Z = 0	×	×	×	V	×	
CMPBKNE	[TDE+], [WHL+]	2	(TDE) - (WHL), TDE ← TDE + 1, WHL ← WHL + 1, C ← C - 1 End if C = 0 or Z = 1	×	×	×	V	×	
	[TDE-], [WHL-]	2	(TDE) - (WHL), TDE ← TDE - 1, WHL ← WHL - 1, C ← C - 1 End if C = 0 or Z = 1	×	×	×	V	×	
CMPBKC	[TDE+], [WHL+]	2	(TDE) - (WHL), TDE ← TDE + 1, WHL ← WHL + 1, C ← C - 1 End if C = 0 or CY = 0	×	×	×	V	×	
	[TDE-], [WHL-]	2	(TDE) - (WHL), TDE ← TDE - 1, WHL ← WHL - 1, C ← C - 1 End if C = 0 or CY = 0	×	×	×	V	×	
CMPBKNC	[TDE+], [WHL+]	2	(TDE) - (WHL), TDE ← TDE + 1, WHL ← WHL + 1, C ← C - 1 End if C = 0 or CY = 1	×	×	×	V	×	
	[TDE-], [WHL-]	2	(TDE) - (WHL), TDE ← TDE - 1, WHL ← WHL - 1, C ← C - 1 End if C = 0 or CY = 1	×	×	×	V	×	

29.3 Instructions Listed by Type of Addressing

(1) 8-bit instructions (combinations expressed by writing A for r are shown in parentheses)

MOV, XCH, ADD, ADDC, SUB, SUBC, AND OR XOR, CMP, MULU, DIVUW, INC, DEC, ROR, ROL, RORC, ROLC, SHR, SHL, ROR4, ROL4, DBNZ, PUSH, POP, MOVW, XCHM, CMPME, CMPMNE, CMPMNC, CMPMC, MOVBK, XCHBK, CMPBKE, CMPBKNE, CMPBKNC, CMPBKC

Table 29-1. List of Instructions by 8-Bit Addressing

2nd Operand 1st Operand	#byte	A	r r'	saddr saddr'	sfr	!addr16 !!addr24	mem [saddrp] [%saddrg]	r3 PSWL PSWH	[WHL+] [WHL-]	n	None ^{Note 2}
A	(MOV) ADD ^{Note 1}	(MOV) (XCH) (ADD) ^{Note 1}	MOV XCH (ADD) ^{Note 1}	(MOV) ^{Note 6} (XCH) ^{Note 6} (ADD) ^{Notes 1, 6}	MOV (XCH) (ADD) ^{Note 1}	(MOV) (XCH) ADD ^{Note 1}	MOV XCH ADD ^{Note 1}	MOV	(MOV) (XCH) (ADD) ^{Note 1}		
r	MOV ADD ^{Note 1}	(MOV) (XCH) (ADD) ^{Note 1}	MOV XCH ADD ^{Note 1}	MOV XCH ADD ^{Note 1}	MOV XCH ADD ^{Note 1}	MOV XCH				ROR ^{Note 3}	MULU DIVUW INC DEC
saddr	MOV ADD ^{Note 1}	(MOV) ^{Note 6} (ADD) ^{Note 1}	MOV ADD ^{Note 1}	MOV XCH ADD ^{Note 1}							INC DEC DBNZ
sfr	MOV ADD ^{Note 1}	MOV (ADD) ^{Note 1}	MOV ADD ^{Note 1}								PUSH POP
!addr16 !!addr24	MOV	(MOV) ADD ^{Note 1}	MOV								
mem [saddrp] [%saddrg]		MOV ADD ^{Note 1}									
mem3											ROR4 ROL4
r3 PSWL PSWH	MOV	MOV									
B, C											DBNZ
STBC, WDM	MOV										
[TDE+] [TDE-]		(MOV) (ADD) ^{Note 1} MOVW ^{Note 4}							MOVBK ^{Note 5}		

- Notes 1.** ADDC, SUB, SUBC, AND, OR, XOR, and CMP are the same as ADD.
2. There is no 2nd operand, or the 2nd operand is not an operand address.
3. ROL, RORC, ROLC, SHR, and SHL are the same as ROR.
4. XCHM, CMPME, CMPMNE, CMPMNC, and CMPMC are the same as MOVW.
5. XCHBK, CMPBKE, CMPBKNE, CMPBKNC, and CMPBKC are the same as MOVBK.
6. If saddr is saddr2 in this combination, there is a short code length instruction.

(2) 16-bit instructions (combinations expressed by writing AX for rp are shown in parentheses)

MOVM, XCHW, ADDW, SUBW, CMPW, MULUW, MULW, DIVUX, INCW, DECW, SHRW, SHLW, PUSH, POP, ADDWG, SUBWG, PUSHU, POPU, MOVTLBW, MACW, MACSW, SACW

Table 29-2. List of Instructions by 16-Bit Addressing

2nd Operand 1st Operand	#word	AX	rp rp'	saddrp saddrp'	sfrp	!addr16 !!addr24	mem [saddrp] [%saddrg]	[WHL+]	byte	n	None ^{Note 2}
AX	(MOVW) ADDW ^{Note 1}	(MOVW) (XCHW) (ADD) ^{Note 1}	(MOVW) (XCHW) (ADDW) ^{Note 1}	(MOVW) ^{Note 3} (XCHW) ^{Note 3} (ADDW) ^{Notes 1,3}	MOVW (XCHW) (ADDW) ^{Note 1}	(MOVW) XCHW	MOVW XCHW	(MOVW) (XCHW)			
rp	MOVW ADDW ^{Note 1}	(MOVW) (XCHW) (ADDW) ^{Note 1}	MOVW XCHW ADDW ^{Note 1}	MOVW XCHW ADDW ^{Note 1}	MOVW XCHW ADDW ^{Note 1}	MOVW				SHRW SHLW	MULW ^{Note 4} INCW DECW
saddrp	MOVW ADDW ^{Note 1}	(MOVW) ^{Note 3} (ADDW) ^{Note 1}	MOVW ADDW ^{Note 1}	MOVW XCHW ADDW ^{Note 1}							INCW DECW
sfrp	MOVW ADDW ^{Note 1}	MOVW (ADDW) ^{Note 1}	MOVW ADDW ^{Note 1}								PUSH POP
!addr16 !!addr24	MOVW	(MOVW)	MOVW						MOVTLBW		
mem [saddrp] [%saddrg]		MOVW									
PSW											PUSH POP
SP	ADDWG SUBWG										
post											PUSH POP PUSHU POPU
[TDE+]		(MOVW)							SACW		
byte											MACW MACSW

- Notes**
1. SUBW and CMPW are the same as ADDW.
 2. There is no 2nd operand, or the 2nd operand is not an operand address.
 3. If saddrp is saddrp2 in this combination, there is a short code length instruction.
 4. MULUW and DIVUX are the same as MULW.

(3) 24-bit instructions (combinations expressed by writing WHL for rg are shown in parentheses)
 MOVG, ADDG, SUBG, INCG, DECG, PUSH, POP

Table 29-3. List of Instructions by 24-Bit Addressing

2nd Operand 1st Operand	#imm24	WHL	rg rg'	saddrg	!!addr24	mem1	[%saddrg]	SP	None ^{Note}
WHL	(MOVG) (ADDG) (SUBG)	(MOVG) (ADDG) (SUBG)	(MOVG) (ADDG) (SUBG)	(MOVG) ADDG SUBG	(MOVG)	MOVG	MOVG	MOVG	
rg	MOVG ADDG SUBG	(MOVG) (ADDG) (SUBG)	MOVG ADDG SUBG	MOVG	MOVG				INCG DECG PUSH POP
saddrg		(MOVG)	MOVG						
!!addr24		(MOVG)	MOVG						
mem1		MOVG							
[%saddrg]		MOVG							
SP	MOVG	MOVG							INCG DECG

Note There is no 2nd operand, or the 2nd operand is not an operand address.

(4) Bit manipulation instructions

MOV1, AND1, OR1, XOR1, SET1, CLR1, NOT1, BT, BF, BTCLR, BFSET

Table 29-4. List of Instructions by Bit Manipulation Instruction Addressing

2nd Operand 1st Operand	CY	saddr.bit sfr.bit A.bit X.bit PSWL.bit PSWH.bit mem2.bit !addr16.bit !!addr24.bit	/saddr.bit /sfr.bit /A.bit /X.bit /PSWL.bit /PSWH.bit /mem2.bit /!addr16.bit /!!addr24.bit	None ^{Note}
CY		MOV1 AND1 OR1 XOR1	AND1 SET1	NOT1 SET1 CLR1
saddr.bit sfr.bit A.bit X.bit PSWL.bit PSWH.bit mem2.bit !addr16.bit !!addr24.bit	MOV1			NOT1 SET1 CLR1 BF BT BTCLR BFSET

Note There is no 2nd operand, or the 2nd operand is not an operand address.

(5) Call/return instructions/branch instructions

CALL, CALLF, CALLT, BRK, RET, RETI, RETB, RETCS, RETCSB, BRKCS, BR, BNZ, BNE, BZ, BE, BNC, BNL, BC, BL, BNV, BPO, BV, BPE, BP, BN, BLT, BGE, BLE, BGT, BNH, BH, BF, BT, BTCLR, BFSET, DBNZ

Table 29-5. List of Instructions by Call/Return Instruction/Branch Instruction Addressing

Instruction Address Operand	\$addr20	!addr20	!addr16	!!addr20	rp	rg	[rp]	[rg]	!addr11	[addr5]	RBn	None
Basic instructions	BC ^{Note} BR	CALL BR	CALL BR RETCS RETCSB	CALL BR	CALL BR	CALL BR	CALL BR	CALL BR	CALLF CALLT		BRKCS	BRK RET RETI RETB
Compound instructions	BF BT BTCLR BFSET DBNZ											

Note BNZ, BNE, BZ, BE, BNC, BNL, BL, BNV, BPO, BV, BPE, BP, BN, BLT, BGE, BLE, BGT, BNH, and BH are the same as BC.

(6) Other instructions

ADJBA, ADJBS, CVTBW, LOCATION, SEL, NOT, EI, DI, SWRS

APPENDIX A DEVELOPMENT TOOLS

The following development tools are available for the development of systems that employ the μ PD784938 Subseries. Figure A-1 shows the development tool configuration.

- **Support of PC98-NX Series**

Unless otherwise specified, products that operate in IBM PC/AT™ or compatibles can operate in the PC98-NX Series. When using PC98-NX Series, refer to the descriptions for IBM PC/AT or compatibles.

- **Windows**

Unless otherwise specified, "Windows" refers the following OSs.

- Windows 3.1
- Windows 95
- Windows NT Ver.4.0

Figure A-1. Development Tool Configuration (1/2)

(1) When using in-circuit emulator IE-78K4-NS

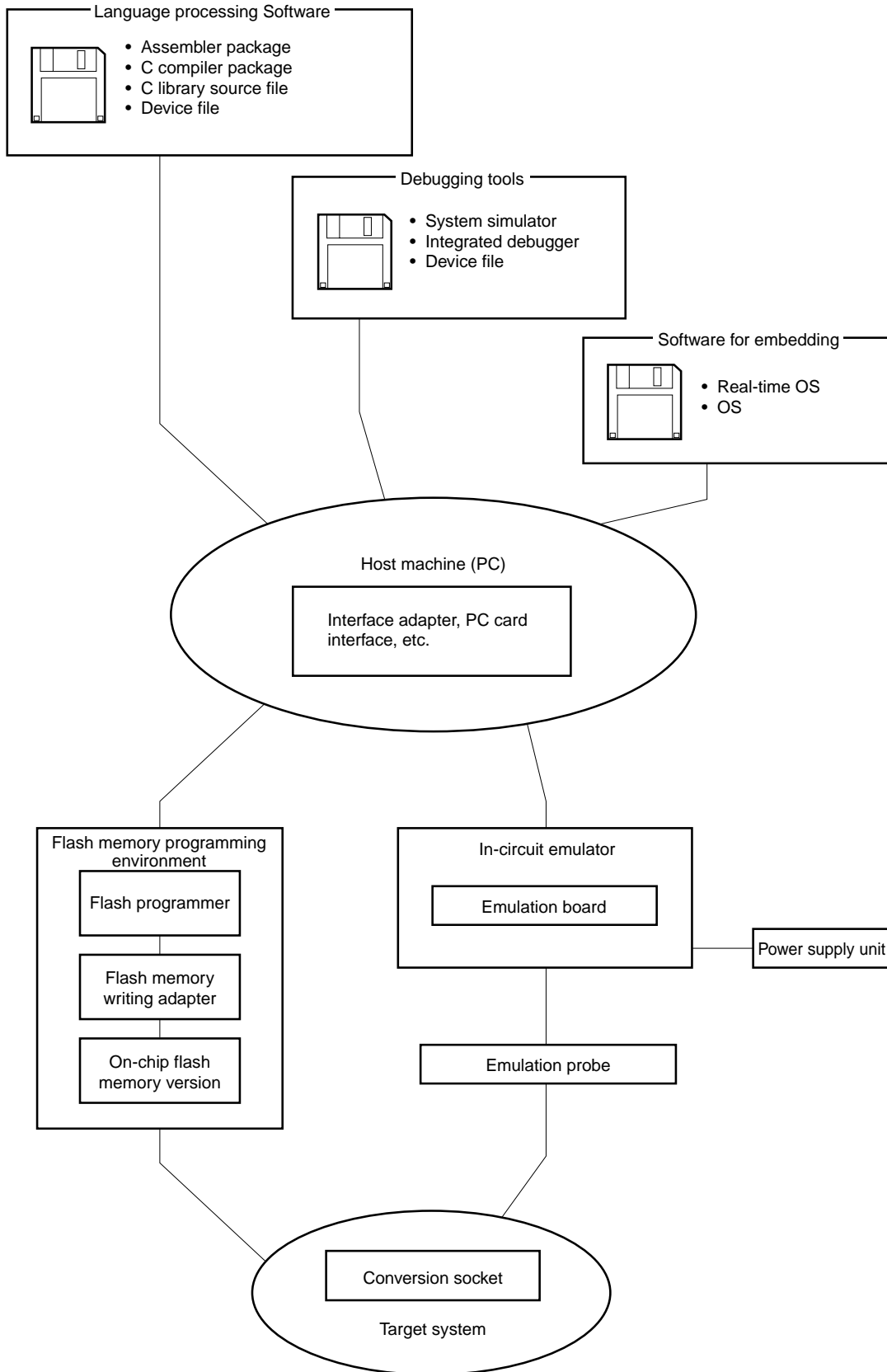
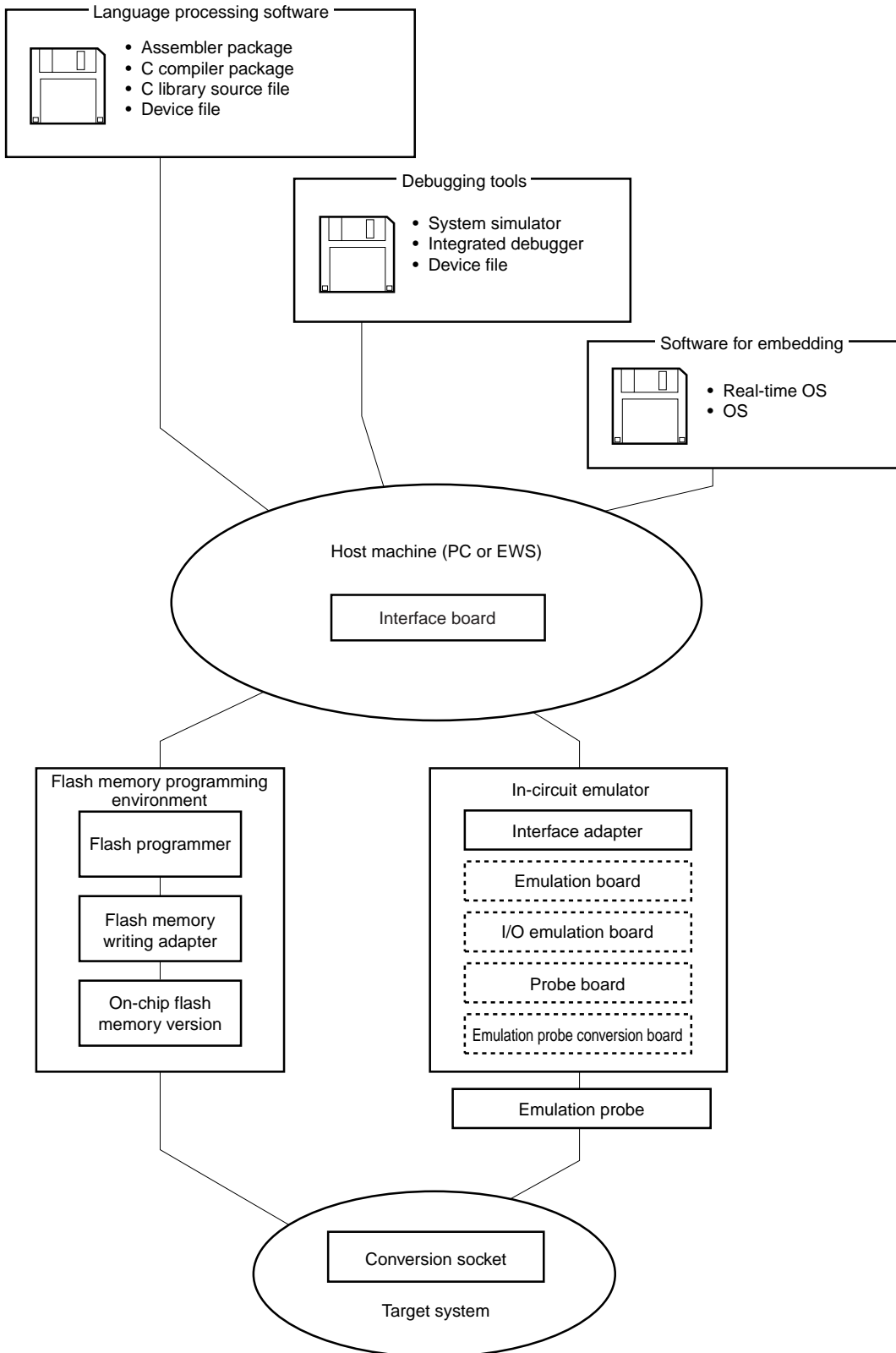


Figure A-1. Development Tool Configuration (2/2)

(2) When using in-circuit emulator IE-784000-R



Remark Items in broken line boxes differ according to the development environment. Refer to **A.3.1 Hardware**.

A.1 Language Processing Software

<p>RA78K4 Assembler package</p>	<p>This assembler converts programs written in mnemonics into an object codes executable with a microcontroller. Further, this assembler is provided with functions capable of automatically creating symbol tables and branch instruction optimization. This assembler should be used in combination with an optional device file (DF784937). <Precaution when using RA78K4 in PC environment> This assembler package is a DOS-based application. It can also be used in Windows, however, by using the Project Manager (included in assembler package) on Windows.</p> <p>Part Number: μSxxxxRA78K4</p>
<p>CC78K4 C compiler package</p>	<p>This compiler converts programs written in C language into object codes executable with a microcontroller. This compiler should be used in combination with an optional assembler package (RA78K4) and device file (DF784937). <Precaution when using RA78K4 in PC environment> This C compiler package is a DOS-based application. It can also be used in Windows, however, by using the Project Manager (included in assembler package) on Windows.</p> <p>Part Number: μSxxxxCC78K4</p>
<p>DF784937^{Note}</p>	<p>This file contains information peculiar to the device. This device file should be used in combination with an optional tool (RA78K4, CC78K4, SM78K4, ID78K4-NS, and ID78K4). Corresponding OS and host machine differ depending on the tool to be used with.</p> <p>Part Number: μSxxxx784937</p>
<p>CC78K4-L C library source file</p>	<p>This is a source file of functions configuring the object library included in the C compiler package. This file is required to match the object library included in C compiler package to the customer's specifications. Operating environment for the source file is not dependent on the OS.</p> <p>Part Number: μSxxxxCC78K4-L</p>

Note The DF784937 can be used in common with the RA78K4, CC78K4, SM78K4, ID78K4-NS, and ID78K4.

Remark xxxx in the part number differs depending on the host machine and OS used.

μSxxxxRA78K4
 μSxxxxCC78K4
 μSxxxxDF784937
 μSxxxxCC78K4-L

xxxx	Host Machine	OS	Supply Medium
AA13	PC-9800 Series	Windows (Japanese version) ^{Note}	3.5-inch 2HD FD
AB13	IBM PC/AT or compatibles	Windows (Japanese version) ^{Note}	3.5-inch 2HC FD
BB13		Windows (English version) ^{Note}	
3P16	HP9000 Series 700 TM	HP-UX (Rel. 10.10)	DAT (DDS) HP-UX
3K13	SPARCstation TM	SunOS (Rel. 4.1.4)	3.5-inch 2HC FD
3K15		Solaris (Rel. 2.5.1)	1/4-inch CGMT
3R13	NEWS TM (RISC)	NEWS-OS (Rel. 6.1)	3.5-inch 2HC FD

Note Can be operated in DOS environment.

A.2 Flash Memory Programming Tools

Flashpro II (part number FL-PR2) Flashpro III (part number FL-PR3, PG-FP3) Flash programmer	Flash programmer dedicated to microcontrollers with on-chip flash memory.
FA-100GF ^{Note} Flash memory writing adapter	Flash memory writing adapter used connected to the Flashpro II, Flashpro III. • FA-100GF: For 100-pin plastic QFP (GF-3BA type)

Note Under development

Remark FL-PR2, FL-PR3, and FA-100GF are products of Naito Densai Machida Mfg. Co., Ltd.
 Phone: +81-44-822-3813 Naito Densai Machida Mfg. Co., Ltd.

A.3 Debugging Tools

A.3.1 Hardware (1/2)

(1) When using the in-circuit emulator IE-78K4-NS

IE-78K4-NS In-circuit emulator	The in-circuit emulator serves to debug hardware and software when developing application systems using a 78K/IV Series product. It corresponds to integrated debugger (ID78K4-NS). This emulator should be used in combination with power supply unit, emulation probe, and interface adapter which is required to connect this emulator to the host machine.
IE-70000-MC-PS-B Power supply unit	This adapter is used for supplying power from a receptacle of 100-V to 200-V AC.
IE-70000-98-IF-C Interface adapter	This adapter is required when using the PC-9800 Series computer (except notebook type) as the IE-78K4-NS host machine (C bus supported).
IE-70000-CD-IF-C PC card interface	This is PC card and interface cable required when using the PC-9800 Series notebook-type computer as the IE-78K4-NS host machine (PCMCIA socket supported).
IE-70000-PC-IF-C Interface adapter	This adapter is required when using the IBM PC/AT or compatibles as the IE-78K4-NS host machine (ISA bus supported).
IE-70000-PCI-IF Interface adapter	This adapter is required when connecting a personal computer that includes a PCI bus as the IE-78K4-NS host machine.
IE-784937-NS-EM1 ^{Note} Emulation board	This board is used to emulate the operations of the peripheral hardware peculiar to a device. It should be used in combination with an in-circuit emulator.
NP-100GF Emulation probe	This probe is used to connect the in-circuit emulator to the target system and is designed for 100-pin plastic QFP (GF-3BA type).
EV-9200GF-100 Conversion socket (Refer to Figures A-2 and A-3)	This conversion socket connects the NP-100GF to the target system board designed to mount a 100-pin plastic QFP (GF-3BA type).

Note Under development

- Remarks**
1. NP-100GF is a product of Naito Densai Machida Mfg. Co., Ltd.
Phone: +81-44-822-3813 Naito Densai Machida Mfg. Co., Ltd.
 2. EV-9200GF-100 is sold in units of five.

A.3.1 Hardware (2/2)

(2) When using the in-circuit emulator IE-784000-R

<p>IE-784000-R In-circuit emulator</p>	<p>The IE-784000-R is an in-circuit emulator that can be used in all members of the 78K/IV Series. Use in combination with the separately purchased IE-784000-R-EM and IE-784937-NS-EM1. For debugging, connect to the host machine. Using in combination with the mandatory, separately purchased, integrated debugger (ID78K4) and device file, allows debugging on the source program level in C language and structured assembly language. The C0 coverage function provides efficient debugging and program inspection. Connecting with the host machine by either Ethernet™ or a dedicated bus requires a separately purchased interface adapter.</p>
<p>IE-70000-98-IF-C Interface adapter</p>	<p>This adapter is required when using the PC-9800 Series computer (except notebook type) as the IE-784000-R host machine (C bus supported).</p>
<p>IE-70000-PC-IF-C Interface adapter</p>	<p>This adapter is required when using the IBM PC/AT or compatibles as the IE-784000-R host machine (ISA bus supported).</p>
<p>IE-78000-R-SV3 Interface adapter</p>	<p>This is adapter and cable required when using an EWS computer as the IE-784000-R host machine, and is used connected to the board in the IE-784000-R. 10Base-5 is supported for Ethernet, but a commercially available conversion adapter is required for other formats.</p>
<p>IE-784000-R-EM Emulation board</p>	<p>The emulation board that is used with all units in the 78K/IV Series.</p>
<p>IE-784937-NS-EM1^{Note} or IE-784937-SL-EM1 Emulation board</p>	<p>Board for emulating peripheral hardware that is inherent to a device.</p>
<p>IE-78K4-R-EX3^{Note} Emulation probe conversion board</p>	<p>100-pin conversion board required when using the IE-784937-NS-EM1 on the IE-784000-R.</p>
<p>EP-78064GF-R Emulation probe</p>	<p>This probe is used to connect the in-circuit emulator to the target system and is designed for 100-pin plastic QFP (GF-3BA type).</p>
<p>EV-9200GF-100 Conversion socket (Refer to Figures A-2 and A-3)</p>	<p>This conversion socket connects the EP-78064GF-R to the target system board designed to mount a 100-pin plastic QFP (GF-3BA type).</p>

Note Under development

Remark EV-9200GF-100 is sold in units of five.

A.3.2 Software (1/2)

SM78K4 System simulator	This system simulator is used to perform debugging at C source level or assembler level while simulating the operation of the target system on a host machine. This simulator runs on Windows. Use of the SM78K4 allows the execution of application logical testing and performance testing on an independent basis from hardware development without having to use an in-circuit emulator, thereby providing higher development efficiency and software quality. The SM78K4 should be used in combination with the optional device file (DF784937).
Part Number: μ SxxxxSM78K4	

Remark xxxx in the part number differs depending on the host machine and OS used.

μ SxxxxSM78K4

xxxx	Host Machine	OS	Supply Medium
AA13	PC-9800 Series	Windows (Japanese version)	3.5-inch 2HD FD
AB13	IBM PC/AT or compatibles	Windows (Japanese version)	3.5-inch 2HC FD
BB13		Windows (English version)	

A.3.2 Software (2/2)

ID78K4-NS ^{Note} Integrated debugger (supporting in-circuit emulator IE-78K4-NS)	This debugger is a control program to debug 78K/IV Series microcontrollers. It adopts a graphical user interface, which is equivalent visually and operationally to Windows or OSF/Motif™. It also has an enhanced debugging function for C language programs, and thus trace results can be displayed on screen in C-language level by using the windows integration function which links a trace result with its source program, disassembled display, and memory display. In addition, by incorporating function modules such as task debugger and system performance analyzer, the efficiency of debugging programs, which run on real-time OSs can be improved. It should be used in combination with the optional device file (DF784937).
ID78K4 Integrated debugger (supporting in-circuit emulator IE-784000-R)	
Part Number: μ S $\times\times\times$ ID78K4-NS, μ S $\times\times\times$ ID78K4	

Note Under development

Remark $\times\times\times$ in the part number differs depending on the host machine and OS used.

μ S $\times\times\times$ ID78K4-NS

$\times\times\times$	Host Machine	OS	Supply Medium
AA13	PC-9800 Series	Windows (Japanese version)	3.5-inch 2HD FD
AB13	IBM PC/AT or compatibles	Windows (Japanese version)	3.5-inch 2HC FD
BB13		Windows (English version)	

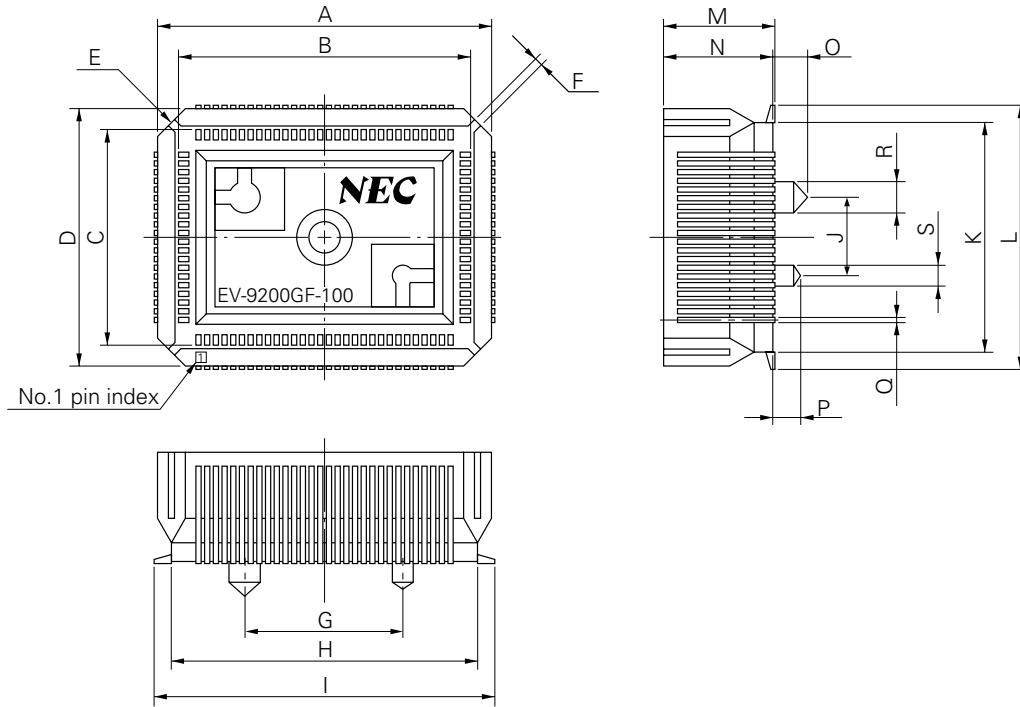
μ S $\times\times\times$ ID78K4

$\times\times\times$	Host Machine	OS	Supply Medium
AA13	PC-9800 Series	Windows (Japanese version)	3.5-inch 2HD FD
AB13	IBM PC/AT or compatibles	Windows (Japanese version)	3.5-inch 2HC FD
BB13		Windows (English version)	
3P16	HP9000 Series 700	HP-UX (Rel. 10.10)	DAT (DDS)
3K13	SPARCstation	SunOS (Rel. 4.1.4)	3.5-inch 2HC FD
3K15		Solaris (Rel. 2.5.1)	1/4 inch CGMT
3R13	NEWS (RISC)	NEWS-OS (Rel. 6.1)	3.5-inch 2HC FD

A.4 Drawings of Conversion Socket (EV-9200GF-100) and Recommended Board Mounting Pattern

Mount the EP-78064GF-R in combination on the board.

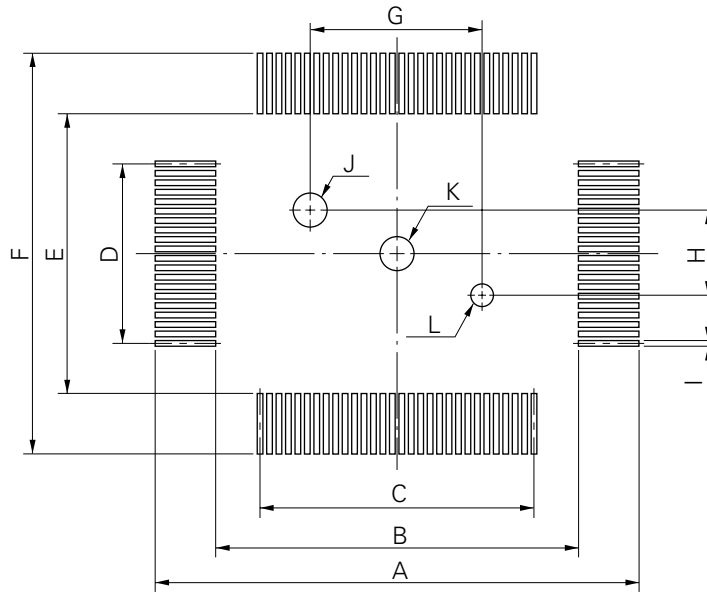
Figure A-2. Package Drawing of EV-9200GF-100 (reference) (unit: mm)



EV-9200GF-100-G0E

ITEM	MILLIMETERS	INCHES
A	24.6	0.969
B	21	0.827
C	15	0.591
D	18.6	0.732
E	4-C 2	4-C 0.079
F	0.8	0.031
G	12.0	0.472
H	22.6	0.89
I	25.3	0.996
J	6.0	0.236
K	16.6	0.654
L	19.3	0.76
M	8.2	0.323
N	8.0	0.315
O	2.5	0.098
P	2.0	0.079
Q	0.35	0.014
R	∅2.3	∅0.091
S	∅1.5	∅0.059

Figure A-3. Recommended Board Mounting Pattern of EV-9200GF-100 (reference) (unit: mm)



EV-9200GF-100-P1E

ITEM	MILLIMETERS	INCHES
A	26.3	1.035
B	21.6	0.85
C	$0.65 \pm 0.02 \times 29 = 18.85 \pm 0.05$	$0.026^{+0.001}_{-0.002} \times 1.142 = 0.742^{+0.002}_{-0.002}$
D	$0.65 \pm 0.02 \times 19 = 12.35 \pm 0.05$	$0.026^{+0.001}_{-0.002} \times 0.748 = 0.486^{+0.003}_{-0.002}$
E	15.6	0.614
F	20.3	0.799
G	12 ± 0.05	$0.472^{+0.003}_{-0.002}$
H	6 ± 0.05	$0.236^{+0.003}_{-0.002}$
I	0.35 ± 0.02	$0.014^{+0.001}_{-0.001}$
J	$\phi 2.36 \pm 0.03$	$\phi 0.093^{+0.001}_{-0.002}$
K	$\phi 2.3$	$\phi 0.091$
L	$\phi 1.57 \pm 0.03$	$\phi 0.062^{+0.001}_{-0.002}$

Caution Dimensions of mount pad for EV-9200 and that for target device (QFP) may be different in some parts. For the recommended mount pad dimensions for QFP, refer to "SEMICONDUCTOR DEVICE MOUNTING TECHNOLOGY MANUAL" (C10535E).

A.5 Check Sheet for μ PD784938 Subseries Development Tools

The following development tools are necessary for using the μ PD784938 Subseries products. Check if the necessary tools are at hand (the dotted line in the table below indicates either of the tools above or below the line should be selected).

- **Host machine: PC-9800 Series**

Order Code	Check	Remark
IE-784000-R		
IE-784000-R-EM		
IE-784937-R-EM1		
IE-784937-NS-EM1		
IE-70000-98-IF-B (other than notebook type personal computer), IE-70000-98-IF-C -----		
IE-70000-98N-IF (for notebook type personal computer)		
IE-78000R-SV3		
IE-78K4-R-EX3		
EP-78064GF-R		
EV-9200GF-100		
FA-100GF (necessary for using flash memory version)		
μ SAA13ID78K4 (3.5")		
μ S5A13DF784937 (3.5") -----		
μ S5A10DF784937 (5")		
μ S5A13RA78K4 (3.5") -----		
μ S5A10RA78K4 (5")		
μ S5A13CC78K4 (3.5") ^{Note 1} -----		
μ S5A10CC78K4 (5") ^{Note 1}		
μ S5A13CC78K4-L (3.5") ^{Note 2} -----		
μ S5A10CC78K4-L (5") ^{Note 2}		

- Notes**
1. Necessary for using the C compiler.
 2. Necessary for remodelling the library of the C compiler.

- **Host machine: IBM PC/AT**

Order Code	Check	Remark
IE-784000-R		
IE-784000-R-EM		
IE-784937-R-EM1		
IE-784937-NS-EM1		
IE-70000-PC-IF-B, IE-70000-PC-IF-C		
IE-78000R-SV3		
IE-78K4-R-EX3		
EP-78064GF-R		
EV-9200GF-100		
FA-100GF (necessary for using flash memory version)		
μ SBB13ID78K4 (3.5") (English version)		
μ SAB13ID78K4 (3.5") (Japanese version)		
μ S5A13DF784937 (3.5")		
μ S5A10DF784937 (5")		
μ S5A13RA78K4 (3.5")		
μ S5A10RA78K4 (5")		
μ S5A13CC78K4 (3.5") ^{Note 1}		
μ S5A10CC78K4 (5") ^{Note 1}		
μ S5A13CC78K4-L (3.5") ^{Note 2}		
μ S5A10CC78K4-L (5") ^{Note 2}		

Notes 1. Necessary for using the C compiler.

2. Necessary for remodelling the library of the C compiler.

[MEMO]

APPENDIX B EMBEDDED SOFTWARE

The following embedded software products are available for efficient program development and maintenance of the μ PD784938 Subseries.

Real-Time OS (1/2)

RX78K/IV Real-time OS	RX78K/IV is a real-time OS conforming to the μ ITRON specifications. Tool (configurator) for generating nucleus of RX78K/IV and plural information tables is supplied. Used in combination with an optional assembler package (RA78K4) and device file (DF784937). <Precaution when using RX78K/IV in PC environment> The real-time OS is a DOS-based application. It should be used in the DOS Prompt when using in Windows.
	Part number: μ SxxxxRX78K4

Caution When purchasing the RX78K/IV, fill in the purchase application form in advance and sign the User Agreement.

Remark xxxx and $\Delta\Delta\Delta\Delta$ in the part number differ depending on the host machine and OS used.

μ SxxxxRX78K4- $\Delta\Delta\Delta\Delta$

$\Delta\Delta\Delta\Delta$	Product Outline	Maximum Number for Use in Mass Production
001	Evaluation object	Do not use for mass-produced product.
100K	Mass-production object	0.1 million units
001M		1 million units
010M		10 million units
S01	Source program	Source program for mass-produced object

xxxx	Host Machine	OS	Supply Medium
AA13	PC-9800 Series	Windows (Japanese version) ^{Note}	3.5-inch 2HD FD
AB13	IBM PC/AT or compatibles	Windows (Japanese version) ^{Note}	3.5-inch 2HC FD
BB13		Windows (English version) ^{Note}	
3P16	HP9000 Series 700	HP-UX (Rel. 10.10)	DAT (DDS)
3K13	SPARCstation	SunOS (Rel. 4.1.4)	3.5-inch 2HC FD
3K15		Solaris (Rel. 2.5.1)	1/4-inch CGMT
3R13	NEWS (RISC)	NEWS-OS (Rel. 6.1)	3.5-inch 2HC FD

Note Can also be operated in DOS environment.

Real-Time OS (2/2)

MX78K4 OS	MX78K4 is an OS for μ ITRON specification subsets. A nucleus for the MX78K4 is also included as a companion product. This manages tasks, events, and time. In the task management, determining the task execution order and switching from task to the next task are performed. <Precaution when using MX78K4 in PC environment> The MX78K4 is a DOS-based application. It should be used in the DOS Prompt when using in Windows. <hr/> Part number: μ S $\times\times\times$ MX78K4- $\Delta\Delta\Delta$
--------------	---

Remark $\times\times\times$ and $\Delta\Delta\Delta$ in the part number differ depending on the host machine and OS used.

μ S $\times\times\times$ MX78K4- $\Delta\Delta\Delta$

$\Delta\Delta\Delta$	Product Outline	Maximum Number for Use in Mass Production
001	Evaluation object	Use in preproduction stages.
$\times\times$	Mass-production object	Use in mass production stages.
S01	Source program	Only the users who purchased mass-production objects are allowed to purchase this program.

$\times\times\times$	Host Machine	OS	Supply Medium
AA13	PC-9800 Series	Windows (Japanese version) ^{Note}	3.5-inch 2HD FD
AB13	IBM PC/AT or compatibles	Windows (Japanese version) ^{Note}	3.5-inch 2HC FD
BB13		Windows (English version) ^{Note}	
3P16	HP9000 Series 700	HP-UX (Rel. 10.10)	DAT (DDS)
3K13	SPARCstation	SunOS (Rel. 4.1.4)	3.5-inch 2HC FD
3K15		Solaris (Rel. 2.5.1)	1/4-inch CGMT
3R13	NEWS (RISC)	NEWS-OS (Rel. 6.1)	3.5-inch 2HC FD

Note Can also be operated in DOS environment.

APPENDIX C REGISTER INDEX

C.1 Register Name Index

[A]

A/D conversion result register (ADCR) ... 406
A/D converter mode register (ADM) ... 407
A/D current cut select register (IEAD) ... 410
Asynchronous serial interface mode register (ASIM) ... 428, 433
Asynchronous serial interface mode register 2 (ASIM2) ... 428, 433
Asynchronous serial interface status register (ASIS) ... 434
Asynchronous serial interface status register 2 (ASIS2) ... 434

[B]

Baud rate generator control register (BRGC) ... 451
Baud rate generator control register 2 (BRGC2) ... 451
Bus control register (BCR) ... 484

[C]

Capture/compare control register 0 (CRC0) ... 223
Capture/compare control register 1 (CRC1) ... 279
Capture/compare control register 2 (CRC2) ... 314
Capture/compare register (CR11/CR11W, CR21/CR21W) ... 275, 310
Capture register (CR02, CR12/CR12W, CR22/CR22W) ... 220, 275, 310
Clock output mode register (CLOM) ... 513
Clocked serial interface mode register (CSIM) ... 459
Clocked serial interface mode register 1 (CSIM1) ... 428, 443
Clocked serial interface mode register 2 (CSIM2) ... 428, 443
Clocked serial interface mode register 3 (CSIM3) ... 459
Communication count register (CCR) ... 499
Compare register (CR00, CR01, CR10/CR10W, CR20/CR20W, CR30/CR30W) ... 220, 275, 310, 375
Control data register (CDR) ... 487

[D]

Data register (DR) ... 491

[E]

External interrupt mode register 0 (INTM0) ... 518
External interrupt mode register 1 (INTM1) ... 519

[H]

Hold mode register (HLDM) ... 634

[I]

In-service priority register (ISPR) ... 540
Internal memory size switching register (IMS) ... 82
Interrupt control register ... 533

Interrupt mask register (MK0H, MK0L, MK1H, MK1L) ... 538
 Interrupt mode control register (IMC) ... 541
 Interrupt status register (ISR) ... 494

[M]

Macro service mode register ... 567
 Memory expansion mode register (MM) ... 603, 615

[O]

One-shot pulse output control register (OSPC) ... 225
 Oscillation stabilization time specification register (OSTS) ... 109, 641

[P]

Partner address register (PAR) ... 486
 Port 0 (P0) ... 119
 Port 0 buffer register (P0L, P0H) ... 204
 Port 0 mode register (PM0) ... 120
 Port 1 (P1) ... 126
 Port 1 mode control register (PMC1) ... 131
 Port 1 mode register (PM1) ... 131
 Port 2 (P2) ... 137
 Port 3 (P3) ... 143
 Port 3 mode control register (PMC3) ... 149
 Port 3 mode register (PM3) ... 148
 Port 4 (P4) ... 155
 Port 4 mode register (PM4) ... 156
 Port 5 (P5) ... 162
 Port 5 mode register (PM5) ... 163
 Port 6 (P6) ... 169
 Port 6 mode register (PM6) ... 175
 Port 7 (P7) ... 179
 Port 7 mode register (PM7) ... 180
 Port 9 (P9) ... 183
 Port 9 mode register (PM9) ... 184
 Port 10 (P10) ... 188
 Port 10 mode control register (PMC10) ... 193
 Port 10 mode register (PM10) ... 193
 Prescaler mode register 0 (PRM0) ... 222, 377
 Prescaler mode register 1 (PRM1) ... 278, 313
 Program status word (PSWL) ... 543
 Programmable wait control register 1 (PWC1) ... 616
 Programmable wait control register 2 (PWC2) ... 617
 Pull-up resistor option register H (PUOH) ... 187, 197
 Pull-up resistor option register L (PUOL) ... 123, 135, 141, 153, 159, 166, 178
 PWM control register (PWMC) ... 397
 PWM modulo register 0 (PWM0) ... 398
 PWM modulo register 1 (PWM1) ... 398
 PWM prescaler register (PWPR) ... 398

[R]

Real-time output port control register (RTPC) ... 203
Refresh area specification register (RFA) ... 630
Refresh mode register (RFM) ... 629
ROM correction address register H (CORAH) ... 667
ROM correction address register L (CORAL) ... 667
ROM correction control register (CORC) ... 667

[S]

Sampling clock selection register (SCS0) ... 520
Serial receive buffer (RXB) ... 431
Serial receive buffer 2 (RXB2) ... 431
Serial shift register (SIO) ... 458
Serial shift register 1 (SIO1) ... 442
Serial shift register 2 (SIO2) ... 442
Serial shift register 3 (SIO3) ... 457
Serial transmit shift register (TXS) ... 431
Serial transmit shift register 2 (TXS2) ... 431
Slave address register (SAR) ... 486
Slave status register (SSR) ... 498
Standby control register (STBC) ... 108, 639
Success count register (SCR) ... 499

[T]

Telegraph length register (DLR) ... 490
Timer control register 0 (TMC0) ... 221, 376
Timer control register 1 (TMC1) ... 277, 312
Timer output control register (TOC) ... 224, 315
Timer counter 0 (TM0) ... 220
Timer counter 1 (TM1/TM1W) ... 275
Timer counter 2 (TM2/TM2W) ... 310
Timer counter 3 (TM3/TM3W) ... 375

[U]

Unit address register (UAR) ... 486
Unit status register (USR) ... 492

[W]

Watch timer mode register (WM) ... 393
Watchdog timer mode register (WDM) ... 389, 542

C.2 Register Symbol Index**[A]**

ADCR	: A/D Conversion Result Register ... 406
ADIC	: Interrupt Control Register ... 535
ADM	: A/D Converter Mode Register ... 407
ASIM	: Asynchronous Serial Interface Mode Register ... 428, 433
ASIM2	: Asynchronous Serial Interface Mode Register 2 ... 428, 433
ASIS	: Asynchronous Serial Interface Status Register ... 434
ASIS2	: Asynchronous Serial Interface Status Register 2 ... 434

[B]

BCR	: Bus Control Register ... 484
BRGC	: Baud Rate Generator Control Register ... 451
BRGC2	: Baud Rate Generator Control Register 2 ... 451

[C]

CCR	: Communication Count Register ... 499
CDR	: Control Data Register ... 486
CIC00	: Interrupt Control Register ... 534
CIC01	: Interrupt Control Register ... 534
CIC10	: Interrupt Control Register ... 534
CIC11	: Interrupt Control Register ... 534
CIC20	: Interrupt Control Register ... 535
CIC21	: Interrupt Control Register ... 535
CIC30	: Interrupt Control Register ... 535
CLOM	: Clock Output Mode Register ... 513
CORAH	: ROM Correction Address Register H ... 667
CORAL	: ROM Correction Address Register L ... 667
CORC	: ROM Correction Control Register ... 667
CR00	: Compare Register ... 220
CR01	: Compare Register ... 220
CR02	: Capture Register ... 220
CR10/CR10W	: Compare Register ... 275
CR11/CR11W	: Capture/Compare Register ... 275
CR12/CR12W	: Capture Register ... 275
CR20/CR20W	: Compare Register ... 310
CR21/CR21W	: Capture/Compare Register ... 310
CR22/CR22W	: Capture Register ... 310
CR30/CR30W	: Compare Register ... 375
CRC0	: Capture/Compare Control Register 0 ... 223
CRC1	: Capture/Compare Control Register 1 ... 279
CRC2	: Capture/Compare Control Register 2 ... 314
CSIIC	: Interrupt Control Register ... 536
CSIIC1	: Interrupt Control Register ... 536
CSIIC2	: Interrupt Control Register ... 536
CSIIC3	: Interrupt Control Register ... 537
CSIM	: Clocked Serial Interface Mode Register ... 459

CSIM1 : Clocked Serial Interface Mode Register 1 ... 428, 443
 CSIM2 : Clocked Serial Interface Mode Register 2 ... 428, 443
 CSIM3 : Clocked Serial Interface Mode Register 3 ... 459

[D]

DLR : Telegraph Length Register ... 490
 DR : Data Register ... 491

[H]

HLDM : Hold Mode Register ... 634

[I]

IEAD : A/D Current Cut Select Register ... 410
 IEIC1 : Interrupt Control Register ... 537
 IEIC2 : Interrupt Control Register ... 537
 IMC : Interrupt Mode Control Register ... 541
 IMS : Internal Memory Size Switching Register ... 82
 INTM0 : External Interrupt Mode Register 0 ... 518
 INTM1 : External Interrupt Mode Register 1 ... 519
 ISPR : In-Service Priority Register ... 540
 ISR : Interrupt Status Register ... 494

[M]

MK0H : Interrupt Mask Register H ... 538
 MK0L : Interrupt Mask Register L ... 538
 MK1H : Interrupt Mask Register 1H ... 538
 MK1L : Interrupt Mask Register 1L ... 538
 MM : Memory Expansion Mode Register ... 603, 615

[O]

OSPC : One-Shot Pulse Output Control Register ... 225
 OSTL : Oscillation Stabilization Time Specification Register ... 109, 641

[P]

P0 : Port 0 ... 119
 P0H : Port 0 Buffer Register H ... 204
 P0L : Port 0 Buffer Register L ... 204
 P1 : Port 1 ... 126
 P2 : Port 2 ... 137
 P3 : Port 3 ... 143
 P4 : Port 4 ... 155
 P5 : Port 5 ... 162
 P6 : Port 6 ... 169
 P7 : Port 7 ... 179
 P9 : Port 9 ... 183
 P10 : Port 10 ... 188
 PAR : Partner Address Register ... 486
 PIC0 : Interrupt Control Register ... 534

PIC1	: Interrupt Control Register ... 534
PIC2	: Interrupt Control Register ... 534
PIC3	: Interrupt Control Register ... 534
PIC4	: Interrupt Control Register ... 535
PIC5	: Interrupt Control Register ... 535
PM0	: Port 0 Mode Register ... 120
PM1	: Port 1 Mode Register ... 131
PM3	: Port 3 Mode Register ... 148
PM4	: Port 4 Mode Register ... 156
PM5	: Port 5 Mode Register ... 163
PM6	: Port 6 Mode Register ... 175
PM7	: Port 7 Mode Register ... 180
PM9	: Port 9 Mode Register ... 184
PM10	: Port 10 Mode Register ... 193
PMC1	: Port 1 Mode Control Register ... 131
PMC3	: Port 3 Mode Control Register ... 149
PMC10	: Port 10 Mode Control Register ... 193
PRM0	: Prescaler Mode Register 0 ... 222, 377
PRM1	: Prescaler Mode Register 1 ... 278, 313
PSWL	: Program Status Word ... 543
PUOH	: Pull-Up Resistor Option Register H ... 187, 197
PUOL	: Pull-Up Resistor Option Register L ... 123, 135, 141, 153, 159, 166, 178
PWC1	: Programmable Wait Control Register 1 ... 616
PWC2	: Programmable Wait Control Register 2 ... 617
PWM0	: PWM Modulo Register 0 ... 398
PWM1	: PWM Modulo Register 1 ... 398
PWMC	: PWM Control Register ... 397
PWPR	: PWM Prescaler Register ... 398

[R]

RFA	: Refresh Area Specification Register ... 630
RFM	: Refresh Mode Register ... 629
RTPC	: Real-Time Output Port Control Register ... 203
RXB	: Serial Receive Buffer ... 431
RXB2	: Serial Receive Buffer 2 ... 431

[S]

SAR	: Slave Address Register ... 486
SCR	: Success Count Register ... 499
SCS0	: Sampling Clock Selection Register ... 520
SERIC	: Interrupt Control Register ... 535
SERIC2	: Interrupt Control Register ... 536
SIO	: Serial Shift Register ... 458
SIO1	: Serial Shift Register 1 ... 442
SIO2	: Serial Shift Register 2 ... 442
SIO3	: Serial Shift Register 3 ... 457
SRIC	: Interrupt Control Register ... 535
SRIC2	: Interrupt Control Register ... 536

SSR : Slave Status Register ... 498
STBC : Standby Control Register ... 108, 639
STIC : Interrupt Control Register ... 536
STIC2 : Interrupt Control Register ... 536

[T]

TM0 : Timer Counter 0 ... 220
TM1/TM1W : Timer Counter 1 ... 275
TM2/TM2W : Timer Counter 2 ... 310
TM3/TM3W : Timer Counter 3 ... 375
TMC0 : Timer Control Register 0 ... 221, 376
TMC1 : Timer Control Register 1 ... 277, 312
TOC : Timer Output Control Register ... 224, 315
TXS : Serial Transmit Shift Register ... 431
TXS2 : Serial Transmit Shift Register 2 ... 431

[U]

UAR : Unit Address Register ... 486
USR : Unit Status Register ... 492

[W]

WDM : Watchdog Timer Mode Register ... 389, 542
WIC : Interrupt Control Register ... 537
WM : Watch Timer Mode Register ... 393

[MEMO]

Facsimile Message

From:

Name

Company

Tel.

FAX

Address

Although NEC has taken all possible steps to ensure that the documentation supplied to our customers is complete, bug free and up-to-date, we readily accept that errors may occur. Despite all the care and precautions we've taken, you may encounter problems in the documentation. Please complete this form whenever you'd like to report errors or suggest improvements to us.

Thank you for your kind support.

North America

NEC Electronics Inc.
Corporate Communications Dept.
Fax: 1-800-729-9288
1-408-588-6130

Hong Kong, Philippines, Oceania

NEC Electronics Hong Kong Ltd.
Fax: +852-2886-9022/9044

Asian Nations except Philippines

NEC Electronics Singapore Pte. Ltd.
Fax: +65-250-3583

Europe

NEC Electronics (Europe) GmbH
Technical Documentation Dept.
Fax: +49-211-6503-274

Korea

NEC Electronics Hong Kong Ltd.
Seoul Branch
Fax: 02-528-4411

Japan

NEC Semiconductor Technical Hotline
Fax: 044-548-7900

South America

NEC do Brasil S.A.
Fax: +55-11-6465-6829

Taiwan

NEC Electronics Taiwan Ltd.
Fax: 02-2719-5951

I would like to report the following error/make the following suggestion:

Document title: _____

Document number: _____ Page number: _____

If possible, please fax the referenced page or drawing.

Document Rating	Excellent	Good	Acceptable	Poor
Clarity	<input type="checkbox"/>	<input type="checkbox"/>	<input type="checkbox"/>	<input type="checkbox"/>
Technical Accuracy	<input type="checkbox"/>	<input type="checkbox"/>	<input type="checkbox"/>	<input type="checkbox"/>
Organization	<input type="checkbox"/>	<input type="checkbox"/>	<input type="checkbox"/>	<input type="checkbox"/>