

**PLEASE CHECK WWW.MOLEX.COM FOR LATEST PART INFORMATION**

**Part Number:** [0494390417](#)  
**Status:** **Active**  
**Description:** Cartridge Pad Connector Davinci Overmold

**Documents:**

[Drawing \(PDF\)](#) [RoHS Certificate of Compliance \(PDF\)](#)  
[Product Specification PS-49440-001 \(PDF\)](#)

**General**

Product Family	Accessories
Series	<a href="#">49439</a>
Component Type	Cover
Product Name	N/A

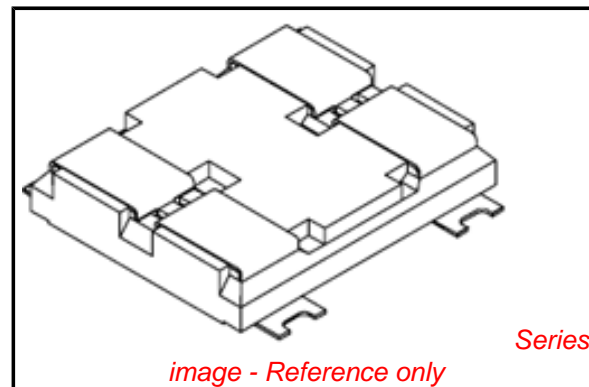
**Physical**

Circuits (Loaded)	2
Color - Resin	Black
Gender	N/A
Lock to Mating Part	No
Material - Metal	N/A
Number of Rows	1
Packaging Type	Embossed Tape on Reel
Polarized to Mating Part	Yes

**Material Info**

**Reference - Drawing Numbers**

Packaging Specification	PK-49439-001
Product Specification	PS-49440-001
Sales Drawing	SD-49439-001



**EU RoHS**

**ELV and RoHS  
Compliant**  
**REACH SVHC**  
 Not Reviewed  
**Halogen-Free  
Status**

**China RoHS**

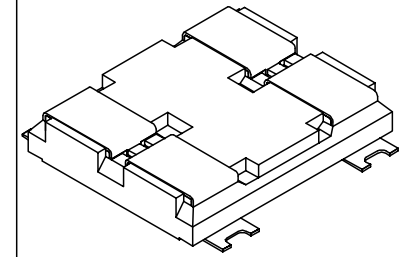
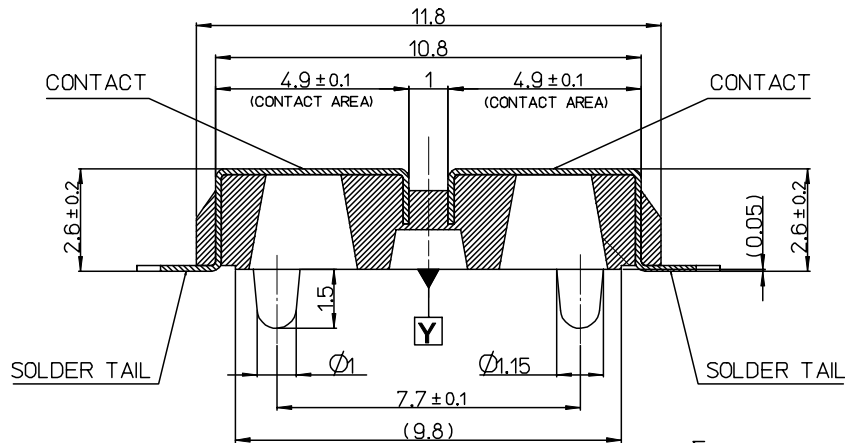
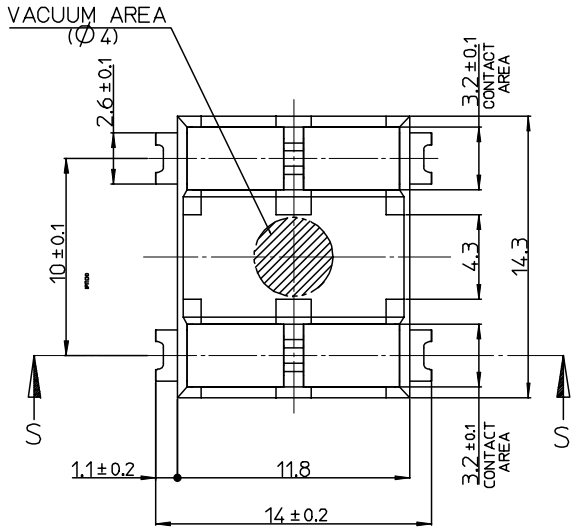


**Need more information on product  
environmental compliance?**

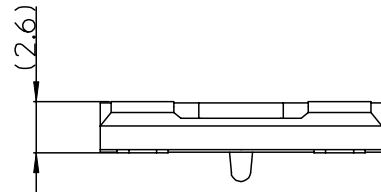
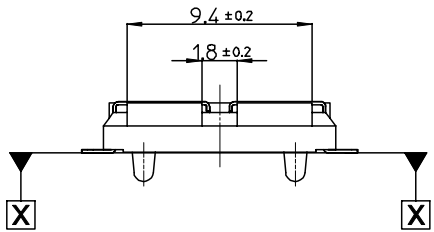
Email [productcompliance@molex.com](mailto:productcompliance@molex.com)  
 For a multiple part number RoHS Certificate of  
 Compliance, [click here](#)

Please visit the [Contact Us](#) section for any  
 non-product compliance questions.

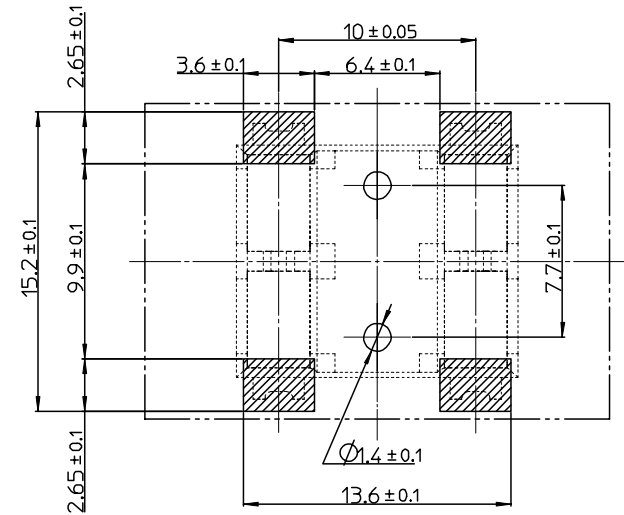
**Search Parts in this Series**  
[49439Series](#)



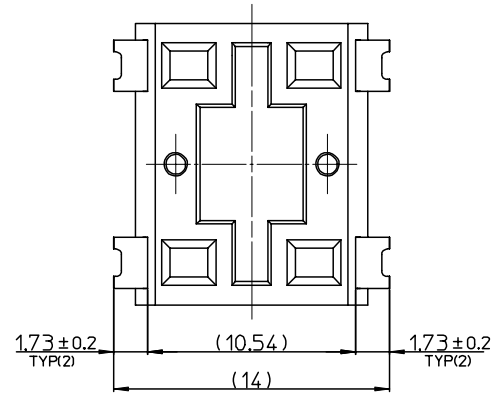
ISOMETRIC VIEW



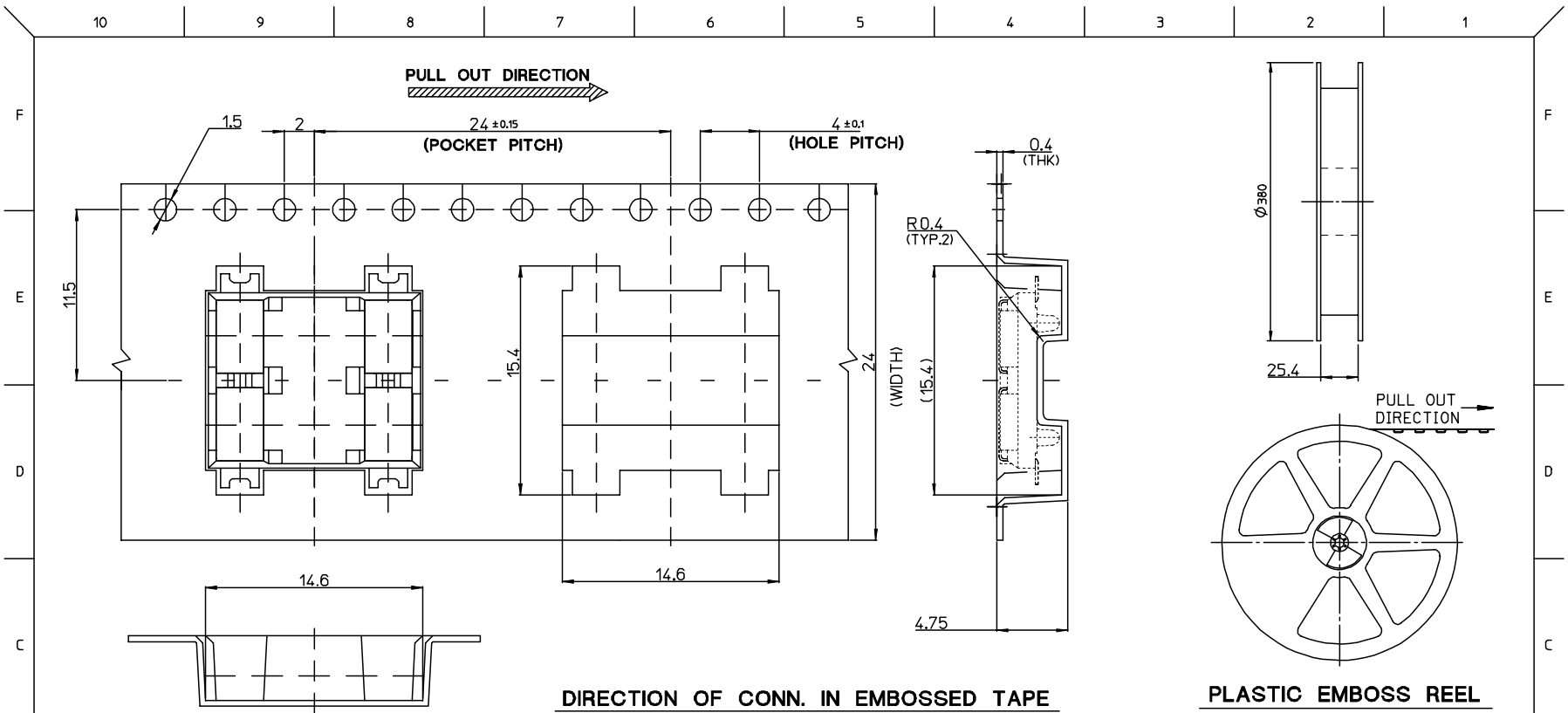
- [NOTE]
- MATERIAL : POLYAMIDE(PA46), 40% GLASS FILLED, UL 94V-0, COLOR : BLACK
  - FINISH : Au 0.03~0.08um OVER Ni 1.27um MIN.
  - FLASH IN ANY PORTION TO BE LESS THEN 0.20mm MAX.
  - ALIGNMENT TOLERANCE OF SOLDER TAIL FROM
    - UPPER DIRECTION : 0.05mm MAX.
    - LOWER DIRECTION : 0.20mm MAX.
    - COPLANARITY OF SOLDER TAIL TO BE LESS THEN 0.15mm MAX. FROM X
  - MATES WITH : 49440-0211
  - PRODUCT SPECIFICATION : PS-49440-001



P.C.B PATTERN LAYOUT



ENTER DESCRIPTION EC NO: KOR2007-0083 DRWN: JHLEE05 2007/06/12 CHKD: KSKIM 2007/07/20 APPR: YUNSIKKIM 2007/07/20	QUALITY SYMBOLS	GENERAL TOLERANCES (UNLESS SPECIFIED)	DIMENSION STYLE	SCALE	DESIGN UNITS	THIRD ANGLE PROJECTION																
	$\nabla=0$ $\sphericalangle=0$	<table border="1"> <thead> <tr> <th></th> <th>mm</th> <th>INCH</th> </tr> </thead> <tbody> <tr> <td>4 PLACES</td> <td>± ---</td> <td>± ---</td> </tr> <tr> <td>3 PLACES</td> <td>± ---</td> <td>± ---</td> </tr> <tr> <td>2 PLACES</td> <td>± 0.25</td> <td>± ---</td> </tr> <tr> <td>1 PLACE</td> <td>± 0.3</td> <td>± ---</td> </tr> </tbody> </table>		mm	INCH	4 PLACES	± ---	± ---	3 PLACES	± ---	± ---	2 PLACES	± 0.25	± ---	1 PLACE	± 0.3	± ---	MM ONLY	4:1	METRIC		
		mm	INCH																			
	4 PLACES	± ---	± ---																			
3 PLACES	± ---	± ---																				
2 PLACES	± 0.25	± ---																				
1 PLACE	± 0.3	± ---																				
DRAFT WHERE APPLICABLE MUST REMAIN WITHIN DIMENSIONS	<table border="1"> <thead> <tr> <th>DRAWN BY</th> <th>DATE</th> <th>TITLE</th> </tr> </thead> <tbody> <tr> <td>JHLEE05</td> <td>2006/06/16</td> <td>CARTRIDGE PAD CONN DAVINCI OVERMOLD</td> </tr> <tr> <td>CHECKED BY</td> <td>DATE</td> <td></td> </tr> <tr> <td>KSKIM</td> <td>2006/06/16</td> <td></td> </tr> <tr> <td>APPROVED BY</td> <td>DATE</td> <td></td> </tr> <tr> <td>YSKIM02</td> <td>2006/06/16</td> <td></td> </tr> </tbody> </table>	DRAWN BY	DATE	TITLE	JHLEE05	2006/06/16	CARTRIDGE PAD CONN DAVINCI OVERMOLD	CHECKED BY	DATE		KSKIM	2006/06/16		APPROVED BY	DATE		YSKIM02	2006/06/16		ENTER PART	SD-49439-001	SHEET NO. 1 OF 00
DRAWN BY	DATE	TITLE																				
JHLEE05	2006/06/16	CARTRIDGE PAD CONN DAVINCI OVERMOLD																				
CHECKED BY	DATE																					
KSKIM	2006/06/16																					
APPROVED BY	DATE																					
YSKIM02	2006/06/16																					
REV	DESCRIPTION	MATERIAL NO.		DOCUMENT NO.	MOLEX INCORPORATED																	

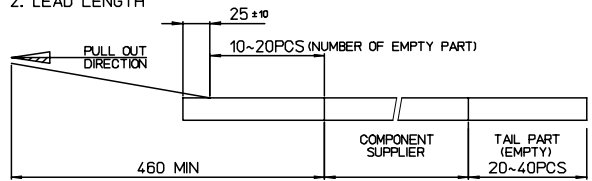


**DIRECTION OF CONN. IN EMBOSSED TAPE**

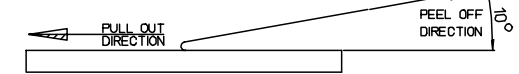
**PLASTIC EMBOSS REEL**

**NOTES**

- 1. QUANTITY OF CONNECTORS : 800PCS/REEL
- 2. LEAD LENGTH



- 3. PEELING OFF FORCE OF COVER TAPE : 0.1N~0.59N(10.2GF~60GF)  
(PEELING DIRECTION AS SHOW IN FOLLOW FIG.)  
PEELING OFF SPEED : 300mm/Min.(Ref.)



<b>24mm</b>	<b>49439-0411</b>	<b>494390417</b>	<b>49439-9904</b>
TAPE WIDTH	CONNECTOR	MATERIAL NO.	EMBOSS TAPE

<b>ENTER DESCRIPTION</b> EC NO: KOR2007-0083 DRWN: JHLEE05 CHKD: SKIM APPR: YUNSKIM	<b>QUALITY SYMBOLS</b> 	<b>GENERAL TOLERANCES (UNLESS SPECIFIED)</b>		<b>DIMENSION STYLE</b> MM ONLY		<b>SCALE</b> 4:1	<b>DESIGN UNITS</b> METRIC	<b>THIRD ANGLE PROJECTION</b>		
		4 PLACES ± --- ± ---	3 PLACES ± --- ± ---	2 PLACES ± 0.15 ± ---	1 PLACE ± 0.2 ± ---	DRAWN BY JHLEE05	DATE 0226/06/16	<b>TITLE</b> CARTRIDGE PAD CONN DAVINCI EMBOSSED PACKING		
		ANGULAR ± 1 °				CHECKED BY KSKIM	DATE 2006/06/17	<b>MOLEX INCORPORATED</b>		
		DRAFT WHERE APPLICABLE MUST REMAIN WITHIN DIMENSIONS				APPROVED BY YSKIM02	DATE 2006/06/17	MATERIAL NO. ENTER PART	DOCUMENT NO. SD-49439-001	SHEET NO. 2 OF 00