

PLEASE CHECK WWW.MOLEX.COM FOR LATEST PART INFORMATION

Part Number: **0431603105**
Status: **Active**
Description: 7.50mm (.295") Pitch Sabre™ Header, Single Row, Right Angle, 5 Circuits, PC Tail Length 3.81mm (.150"), with Snap-In Metal Pins, Tin (Sn) Plating, 46 Nylon 94V-0, Black, Glow Wire Compatible

Documents:

[3D Model](#)
[Drawing \(PDF\)](#)
[Packaging Specification \(PDF\)](#)
[Product Specification PSX-44441-9999 \(PDF\)](#)
[RoHS Certificate of Compliance \(PDF\)](#)

Agency Certification

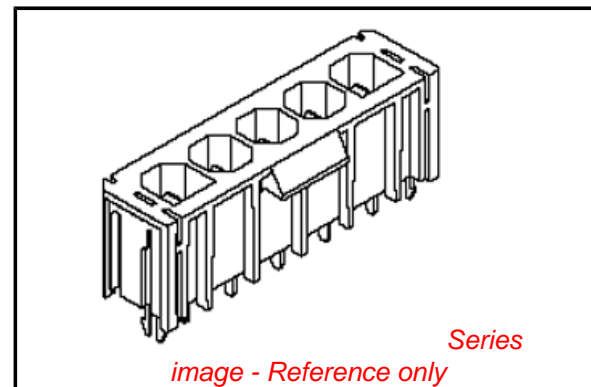
CSA LR19980
 UL E29179

General

Product Family PCB Headers
 Series 43160
 Application Wire-to-Board
 Comments Fully Polarized
 Product Literature Order No USA-113
 Product Name Sabre™

Physical

Breakaway No
 Circuits (Loaded) 5
 Circuits (maximum) 5
 Color - Resin Black
 Durability (mating cycles max) 25
 First Mate / Last Break No
 Flammability 94V-0
 Glow-Wire Compliant Yes
 Guide to Mating Part No
 Keying to Mating Part None
 Lock to Mating Part Yes
 Material - Metal Brass
 Material - Plating Mating Tin
 Material - Plating Termination Tin
 Material - Resin High Temperature Thermoplastic
 Number of Rows 1
 Orientation Right Angle
 PC Tail Length (in) 0.150 In
 PC Tail Length (mm) 3.81 mm
 PCB Locator Yes
 PCB Retention Yes
 PCB Thickness Recommended (in) 0.062 In
 PCB Thickness Recommended (mm) 1.60 mm
 Packaging Type Tray
 Pitch - Mating Interface (in) 0.295 In
 Pitch - Mating Interface (mm) 7.50 mm
 Plating min: Mating (µin) 80
 Plating min: Mating (µm) 2
 Plating min: Termination (µin) 80
 Plating min: Termination (µm) 2
 Polarized to Mating Part Yes
 Polarized to PCB Yes



EU RoHS

ELV and RoHS Compliant
REACH SVHC Contains SVHC: No
Halogen-Free Status

China RoHS



Need more information on product environmental compliance?

Email productcompliance@molex.com
 For a multiple part number RoHS Certificate of Compliance, [click here](#)

Please visit the [Contact Us](#) section for any non-product compliance questions.

Search Parts in this Series

43160Series

Mates With

44441-2005

Shrouded	Fully
Stackable	No
Surface Mount Compatible (SMC)	No
Temperature Range - Operating	-40°C to +75°C
Termination Interface: Style	Through Hole

Electrical

Current - Maximum per Contact	18A
Voltage - Maximum	600V

Solder Process Data

Duration at Max. Process Temperature (seconds)	5
Lead-free Process Capability	Wave Capable (TH only)
Max. Cycles at Max. Process Temperature	1
Process Temperature max. C	260

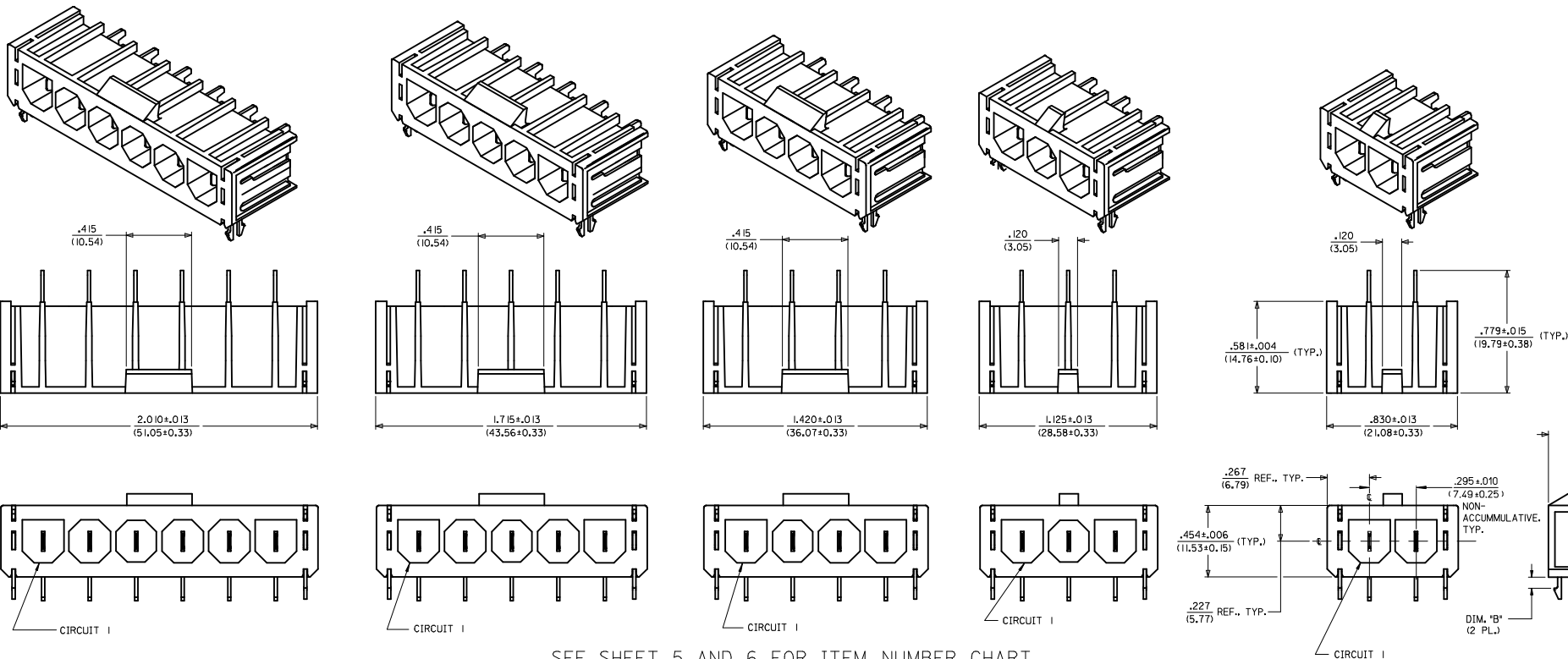
Material Info

Reference - Drawing Numbers

Product Specification	PSX-44441-9999
Sales Drawing	SDA-43160-****

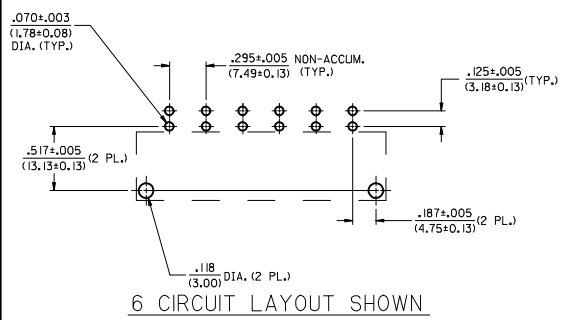
This document was generated on 04/19/2010

PLEASE CHECK WWW.MOLEX.COM FOR LATEST PART INFORMATION



SEE SHEET 5 AND 6 FOR ITEM NUMBER CHART

RECOMMENDED P.C. BOARD LAYOUT FOR RIGHT ANGLE HEADERS
SCALE: 2:1



6 CIRCUIT LAYOUT SHOWN

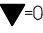
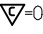


- NOTES:**
- INSULATOR MATERIAL (SEE CHART):
A = 30% GLASS-FILLED 46 NYLON, 94V-0, COLOR: BLACK
TERMINAL MATERIAL: C26000 BRASS
 - TERMINAL FINISH: 35 MICRINCH (0.88 MICROMETER) MINIMUM TIN OVER
20 MICRINCH (0.50 MICROMETER) MINIMUM COPPER.
* THE PRIMARY SHIPPING CARTON WILL BE LABELED
"COMPLIANT TO RoHS DIRECTIVE 2002/95/EC
AND ELV ANNEX II OF DIRECTIVE 2000/53/EC."
CARTONS WITHOUT THIS LABEL MAY CONTAIN
PRODUCT WITH TIN-LEAD IN THE PC TAILS.
 - PRODUCT SPECIFICATION: PSX-44441-9999.
 - PACKAGING: SEE CHART.
 - THESE HEADERS MATE WITH 43179, 43335, OR 44441 RECEPTACLE HOUSINGS.
 - SEE SHEETS 1, 2 AND 3 FOR VERTICAL HEADER ASSEMBLIES AND THEIR RESPECTIVE PART NUMBERS.
 - SEE SHEETS 4, 5 AND 6 FOR RIGHT ANGLE HEADER ASSEMBLIES AND THEIR RESPECTIVE PART NUMBERS.
 - DIMENSIONS ARE FOR REFERENCE ONLY UNLESS INDICATED OTHERWISE.

SOLDER TAIL	DIM. 'A' ±.01/(0.28)
SHORT	.150/(3.81)
LONG	.210/(5.33)

BOARD LOCK	DIM. 'B' ±.004/(0.10)
.062	.070/(1.78)
.094	.102/(2.59)
.125	.133/(3.38)

REMOVE 94V-2 PINS EIC NO. UCF2009-0067 DRAWN: KLOSTERMAYER 2009/03/05 CHKD: AELHAG 2009/03/05 APPR: FSWITH 2009/03/05 REV DESCRIPTION	QUALITY SYMBOLS ▽=0 ▽=0		GENERAL TOLERANCES (UNLESS SPECIFIED) <table border="1"> <thead> <tr> <th></th> <th>mm</th> <th>INCH</th> </tr> </thead> <tbody> <tr> <td>4 PLACES</td> <td>±.005</td> <td>±.0005</td> </tr> <tr> <td>3 PLACES</td> <td>±.013</td> <td>±.01</td> </tr> <tr> <td>2 PLACES</td> <td>±.025</td> <td>±.01</td> </tr> <tr> <td>1 PLACE</td> <td>±.050</td> <td>±.02</td> </tr> </tbody> </table>			mm	INCH	4 PLACES	±.005	±.0005	3 PLACES	±.013	±.01	2 PLACES	±.025	±.01	1 PLACE	±.050	±.02	DIMENSION STYLE IN/MM	
		mm	INCH																		
	4 PLACES	±.005	±.0005																		
	3 PLACES	±.013	±.01																		
2 PLACES	±.025	±.01																			
1 PLACE	±.050	±.02																			
	DRAFT WHERE APPLICABLE MUST REMAIN WITHIN DIMENSIONS		DRAWN BY DATE GC 11/30/95		SCALE 3:1 DESIGN UNITS INCH THIRD ANGLE PROJECTION																
	WATERIAL NO. SEE CHART		CHECKED BY DATE KBP 11/30/95		TITLE SABRE HEADER ASSY RT. ANGLE, 2-6 & 8 CIR. .125/(3.18)X.020/(0.51)																
	APPROVED BY DATE PAS 11/30/95		MATERIAL NO. SEE CHART		DOCUMENT NO. SDA-43160-**** SHEET NO. 4 OF 6																

	20	19	18	17	16	15	14	13	12	11	10	9	8	7	6	5	4	3	2	1
M	RT. ANGLE HEADER ASSEMBLY ITEM NO.	PART CHARACTERISTICS FOR RIGHT ANGLE HEADER				PACKAGING SPECIFICATIONS	RT. ANGLE HEADER ASSEMBLY ITEM NO.	PART CHARACTERISTICS FOR RIGHT ANGLE HEADER				PACKAGING SPECIFICATIONS	RT. ANGLE HEADER ASSEMBLY ITEM NO.	PART CHARACTERISTICS FOR RIGHT ANGLE HEADER				PACKAGING SPECIFICATIONS		
		CIRCUIT SIZE	HSG. MAT'L (SEE NOTE 1)	SOLDER TAIL	BOARD LOCK			CIRCUIT SIZE	HSG. MAT'L (SEE NOTE 1)	SOLDER TAIL	BOARD LOCK			CIRCUIT SIZE	HSG. MAT'L (SEE NOTE 1)	SOLDER TAIL	BOARD LOCK			
	43160-1102	2	A	SHORT	N/A	PK-43160-0010	43160-1104	4	A	SHORT	N/A	PK-43160-0010	43160-1106	6	A	SHORT	N/A	PK-43160-0010		
	43160-1302	2	A	LONG	N/A	PK-43789-001	43160-1304	4	A	LONG	N/A	PK-43789-001	43160-1306	6	A	LONG	N/A	PK-43789-001		
	43160-3102	2	A	SHORT	.062	PK-43789-001	43160-3104	4	A	SHORT	.062	PK-43789-001	43160-3106	6	A	SHORT	.062	PK-43789-001		
	43160-5102	2	A	SHORT	.094	PK-43789-001	43160-5104	4	A	SHORT	.094	PK-43789-001	43160-5106	6	A	SHORT	.094	PK-43789-001		
	43160-5302	2	A	LONG	.094	PK-43789-001	43160-5304	4	A	LONG	.094	PK-43789-001	43160-5306	6	A	LONG	.094	PK-43789-001		
	43160-7302	2	A	LONG	.125	PK-43789-001	43160-7304	4	A	LONG	.125	PK-43789-001	43160-7306	6	A	LONG	.125	PK-43789-001		
	43160-1103	3	A	SHORT	N/A	PK-43160-0010	43160-1105	5	A	SHORT	N/A	PK-43160-0010								
	43160-1303	3	A	LONG	N/A	PK-43789-001	43160-1305	5	A	LONG	N/A	PK-43789-001								
43160-3103	3	A	SHORT	.062	PK-43789-001	43160-3105	5	A	SHORT	.062	PK-43789-001									
43160-5103	3	A	SHORT	.094	PK-43789-001	43160-5105	5	A	SHORT	.094	PK-43789-001									
43160-5303	3	A	LONG	.094	PK-43789-001	43160-5305	5	A	LONG	.094	PK-43789-001									
43160-7303	3	A	LONG	.125	PK-43789-001	43160-7305	5	A	LONG	.125	PK-43789-001									

REMOVE 94V-2 P/NS IEC NO: UCF2009-0067 DRAWN: KJOSTEMELER 2009/03/05 CHKD: AELHAG 2009/03/05 APPR: FSM TH 2009/03/05	QUALITY SYMBOLS  = 0  = 0.05	GENERAL TOLERANCES (UNLESS SPECIFIED) <table border="1"> <tr> <th></th> <th>mm</th> <th>INCH</th> </tr> <tr> <td>4 PLACES</td> <td>± .005</td> <td>± .0005</td> </tr> <tr> <td>3 PLACES</td> <td>± .01</td> <td>± .001</td> </tr> <tr> <td>2 PLACES</td> <td>± 0.13</td> <td>± .01</td> </tr> <tr> <td>1 PLACE</td> <td>± 0.25</td> <td>± .01</td> </tr> </table>			mm	INCH	4 PLACES	± .005	± .0005	3 PLACES	± .01	± .001	2 PLACES	± 0.13	± .01	1 PLACE	± 0.25	± .01	DIMENSION STYLE IN/MM	SCALE 1:1	DESIGN UNITS INCH	 THIRD ANGLE PROJECTION
			mm	INCH																		
		4 PLACES	± .005	± .0005																		
		3 PLACES	± .01	± .001																		
2 PLACES	± 0.13	± .01																				
1 PLACE	± 0.25	± .01																				
DRAWN BY GC 11/30/95	CHECKED BY KBP 11/30/95	APPROVED BY RAS 11/30/95	MATERIAL NO. SEE CHART	DOCUMENT NO. SDA-43160-****	TITLE SABRE HEADER ASSY RT. ANGLE, 2-6 & 8 CIR. .125/(3.18)X.020/(0.51)	 MOLEX INCORPORATED																
DRAFT WHERE APPLICABLE MUST REMAIN WITHIN DIMENSIONS			SIZE D	THIS DRAWING CONTAINS INFORMATION THAT IS PROPRIETARY TO MOLEX INCORPORATED AND SHOULD NOT BE USED WITHOUT WRITTEN PERMISSION																		
			SHEET NO. 5 OF 6																			