

PLEASE CHECK WWW.MOLEX.COM FOR LATEST PART INFORMATION

Part Number: [0395283012](#)
Status: **Active**
Description: 5.00mm (.197") Pitch Eurostyle™ Vertical PCB Dual Level Header, Closed Ends, 12 Circuits

Documents:

[3D Model](#) [Product Specification PS-39500-001 \(PDF\)](#)
[Drawing \(PDF\)](#) [RoHS Certificate of Compliance \(PDF\)](#)

General

Product Family	Terminal Blocks
Series	39528
Application	Wire-to-Board
Component Type	PCB Header
Product Literature Order No	USA-355
Product Name	ESE, Eurostyle™ Pluggable
Type	Euro Block

Physical

Circuits (Loaded)	12
Entry Angle	N/A
Lock to Mating Part	Yes
Number of Rows	2
Orientation	Vertical
PC Tail Length (in)	0.197 In
PC Tail Length (mm)	5.00 mm
PCB Thickness Recommended (in)	0.120 In
PCB Thickness Recommended (mm)	5.00 mm
Panel Mount	No
Pitch - Mating Interface (in)	0.197 In
Pitch - Mating Interface (mm)	5.00 mm
Polarized to Mating Part	Yes
Shrouded	Closed Ends
Stackable	No
Surface Mount Compatible (SMC)	N/A
Temperature Range - Operating	-40°C to +105°C
Wire Size AWG	N/A

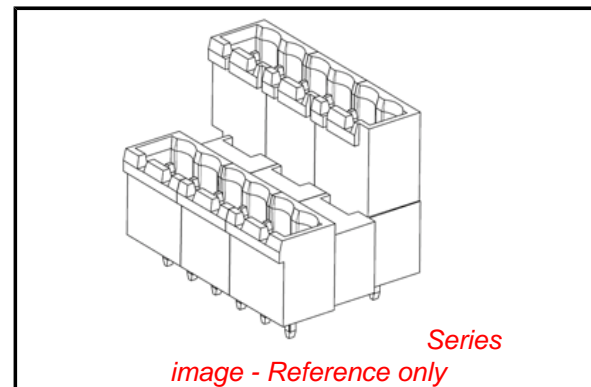
Electrical

Current - Maximum per Contact	15A
Voltage - Maximum	300V

Material Info

Reference - Drawing Numbers

Product Specification	PS-39500-001
Sales Drawing	SD-39528-004



EU RoHS

ELV and RoHS Compliant
REACH SVHC
 Not Reviewed
Halogen-Free Status

China RoHS



Not Reviewed

Need more information on product environmental compliance?

Email productcompliance@molex.com
 For a multiple part number RoHS Certificate of Compliance, [click here](#)

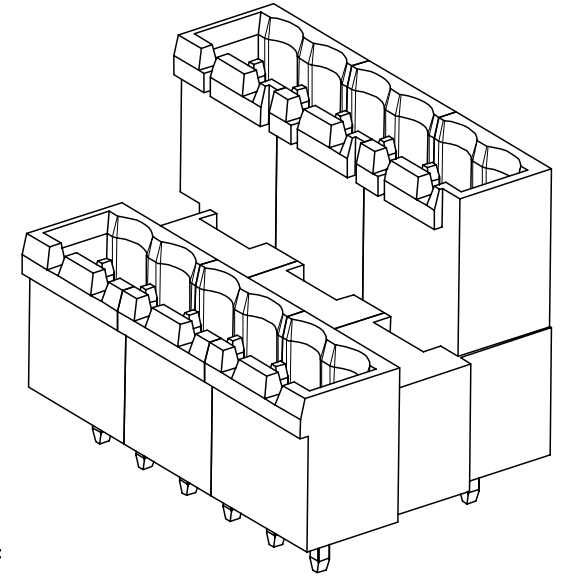
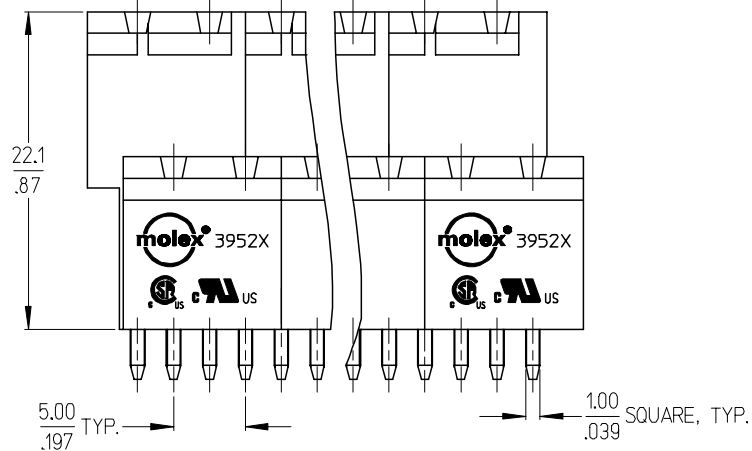
Please visit the [Contact Us](#) section for any non-product compliance questions.

Search Parts in this Series

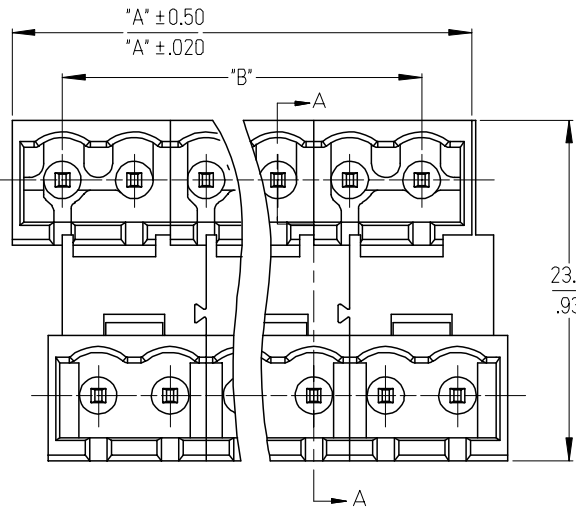
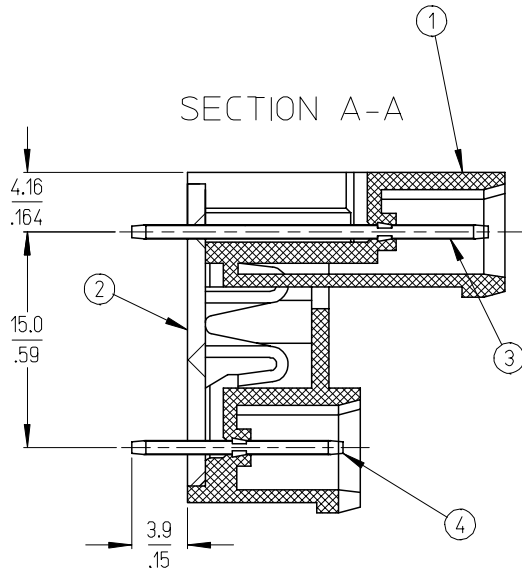
[39528Series](#)

Mates With

[39520](#) Horizontal Plug, [39523](#) Vertical Plug, Most 5.00mm (.197") Pitch Industry Standard Plugs



SECTION A-A



SPECIFICATIONS:

- MATERIAL:
 - BODY: PA66 (UL 94V-0).
 - COVER: PBT (UL 94V-0).
 - LONG TERMINAL: BRASS.
 - SHORT TERMINAL: BRASS.
- ELECTRICAL RATING: 300V, 15A.
- DIELECTRIC WITHSTAND: AC 2500V FOR 1 MINUTE.
- BREAKDOWN VOLTAGE: 4000V.
- INSULATION RESISTANCE: DC 1000V, 1000 MEGOHMS.
- OPERATING TEMPERATURE: -40°C TO +105°C.
- NUMBER OF CIRCUIT POSITIONS AVAILABLE= 4 THROUGH 48, EVEN NUMBERED CIRCUIT SIZES ONLY.
- ALL COMPONENTS ARE ROHS COMPLIANT.

INITIAL RELEASE EC NO: ETC2007-0020 DRWN: CYORK 2006/07/25 CHKD: JPWLICKI 2006/07/25 APPR: JPWLICKI 2006/07/26	QUALITY SYMBOLS ▽=0 ▽=0	GENERAL TOLERANCES (UNLESS SPECIFIED)		DIMENSION STYLE		SCALE	DESIGN UNITS	THIRD ANGLE PROJECTION	
				MM/IN		3:1	INCH		
				DRAWN BY DATE		TITLE			
				CHECKED BY DATE		MOLEX MOLEX INCORPORATED			
		APPROVED BY DATE		MATERIAL NO.		DOCUMENT NO.		SHEET NO.	
		ANGULAR ± 2 °		SEE SHEET 2		SD-39528-004			1 OF 2
		DRAFT WHERE APPLICABLE MUST REMAIN WITHIN DIMENSIONS		THIS DRAWING CONTAINS INFORMATION THAT IS PROPRIETARY TO MOLEX INCORPORATED AND SHOULD NOT BE USED WITHOUT WRITTEN PERMISSION					

F

E

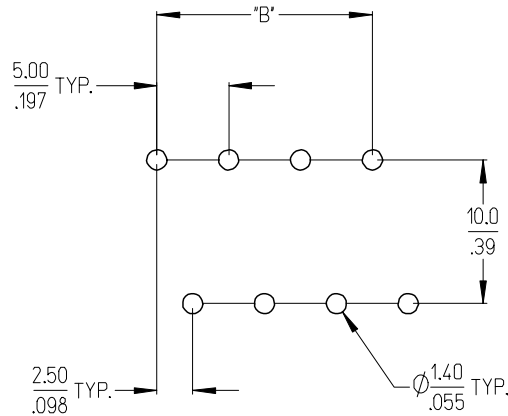
D

C

B

A

Circuit size	Material Numbers				Dimensional Information			
	Black		Green		Dim. A		Dim B	
	100% Tin	30 u" Gold	100% Tin	30 u" Gold	mm	inch	mm	inch
4	395283004	395283504	395288004	395288504	12.00	0.472	5.00	0.197
6	395283006	395283506	395288006	395288506	17.00	0.669	10.00	0.394
8	395283008	395283508	395288008	395288508	22.00	0.866	15.00	0.591
10	395283010	395283510	395288010	395288510	27.00	1.063	20.00	0.787
12	395283012	395283512	395288012	395288512	32.00	1.260	25.00	0.984
14	395283014	395283514	395288014	395288514	37.00	1.457	30.00	1.181
16	395283016	395283516	395288016	395288516	42.00	1.654	35.00	1.378
18	395283018	395283518	395288018	395288518	47.00	1.850	40.00	1.575
20	395283020	395283520	395288020	395288520	52.00	2.047	45.00	1.772
22	395283022	395283522	395288022	395288522	57.00	2.244	50.00	1.969
24	395283024	395283524	395288024	395288524	62.00	2.441	55.00	2.165
26	395283026	395283526	395288026	395288526	67.00	2.638	60.00	2.362
28	395283028	395283528	395288028	395288528	72.00	2.835	65.00	2.559
30	395283030	395283530	395288030	395288530	77.00	3.031	70.00	2.756
32	395283032	395283532	395288032	395288532	82.00	3.228	75.00	2.953
34	395283034	395283534	395288034	395288534	87.00	3.425	80.00	3.150
36	395283036	395283536	395288036	395288536	92.00	3.622	85.00	3.346
38	395283038	395283538	395288038	395288538	97.00	3.819	90.00	3.543
40	395283040	395283540	395288040	395288540	102.00	4.016	95.00	3.740
42	395283042	395283542	395288042	395288542	107.00	4.213	100.00	3.937
44	395283044	395283544	395288044	395288544	112.00	4.409	105.00	4.134
46	395283046	395283546	395288046	395288546	117.00	4.606	110.00	4.331
48	395283048	395283548	395288048	395288548	122.00	4.803	115.00	4.528



RECOMMENDED PCB LAYOUT

SEE SHEET 1 EC NO: ETC2007-0020 DRWN: C.YORK 2006/07/25 CHKD: J.PAWLICKI 2006/07/25 APPR: J.PAWLICKI 2006/07/26	QUALITY SYMBOLS ▽=0 ▽=0	GENERAL TOLERANCES (UNLESS SPECIFIED) <table border="1"> <tr><th colspan="2">mm</th><th colspan="2">INCH</th></tr> <tr><td>4 PLACES</td><td>± ---</td><td>± ---</td><td></td></tr> <tr><td>3 PLACES</td><td>± ---</td><td>± .005</td><td></td></tr> <tr><td>2 PLACES</td><td>± 0.13</td><td>± .01</td><td></td></tr> <tr><td>1 PLACE</td><td>± 0.3</td><td>± ---</td><td></td></tr> </table> ANGULAR ± 2 °	mm		INCH		4 PLACES	± ---	± ---		3 PLACES	± ---	± .005		2 PLACES	± 0.13	± .01		1 PLACE	± 0.3	± ---		DIMENSION STYLE MM/IN DRAWN BY: C. YORK DATE: 2006/07/24 CHECKED BY: J. PAWLICKI DATE: 2006/07/24 APPROVED BY: J. PAWLICKI DATE: 2006/07/24	SCALE: 3:1 DESIGN UNITS: INCH THIRD ANGLE PROJECTION	TITLE: 5.0MM, EURO DUAL HEADER, VERTICAL, CLOSED END, STACKABLE
	mm		INCH																						
	4 PLACES	± ---	± ---																						
	3 PLACES	± ---	± .005																						
2 PLACES	± 0.13	± .01																							
1 PLACE	± 0.3	± ---																							
MATERIAL NO. SEE CHART	DOCUMENT NO. SD-39528-004	SHEET NO. 2 OF 2	MOLEX INCORPORATED																						
DRAFT WHERE APPLICABLE MUST REMAIN WITHIN DIMENSIONS		THIS DRAWING CONTAINS INFORMATION THAT IS PROPRIETARY TO MOLEX INCORPORATED AND SHOULD NOT BE USED WITHOUT WRITTEN PERMISSION																							
SIZE B																									