



**PART NUMBER: ETSA190210UDC-P16P-SZ-C1      DESCRIPTION: SWITCHING POWER SUPPLY**

MODEL	output voltage		output current		output wattage	ripple*	efficiency level
	nominal (V dc)	min (A)	max (A)	max (W)	max. (mVp-p)		
ETSA190210UDC-P16P-SZ-C1	19	0	2.1	40	240	V	

\*at full load, 100 ~ 240 V ac input, 20 MHz bandwidth oscilloscope ,each output terminated with a 10  $\mu$ F aluminum electrolytic and 0.1  $\mu$ F ceramic capacitors.

## INPUT

parameter	conditions/description	min	nom	max	units
rated input voltage		100		240	V ac
input voltage range		90		264	V ac
rated frequency		50		60	Hz
frequency range		47		63	Hz
input current				1.0	A
no load power consumption				0.3	W

## OUTPUT

parameter	conditions/description	min	nom	max	units
line regulation			$\pm 1$		%
load regulation			$\pm 5$		%
short circuit protection	output shut down and auto restart				

## SAFETY & COMPLIANCE

parameter	conditions/description	min	nom	max	units
HI-POT	input to output at 10 mA for 1 minute			3,000 4,242	V ac V dc
insulation resistance	input to output at 500 V dc	100			M $\Omega$
safety approvals	UL/cUL, GS				
EMC/EMI	FCC class B, CE, meets VCC I class II				
leakage current				0.25	mA
RoHS compliant	yes				

## ENVIRONMENTAL

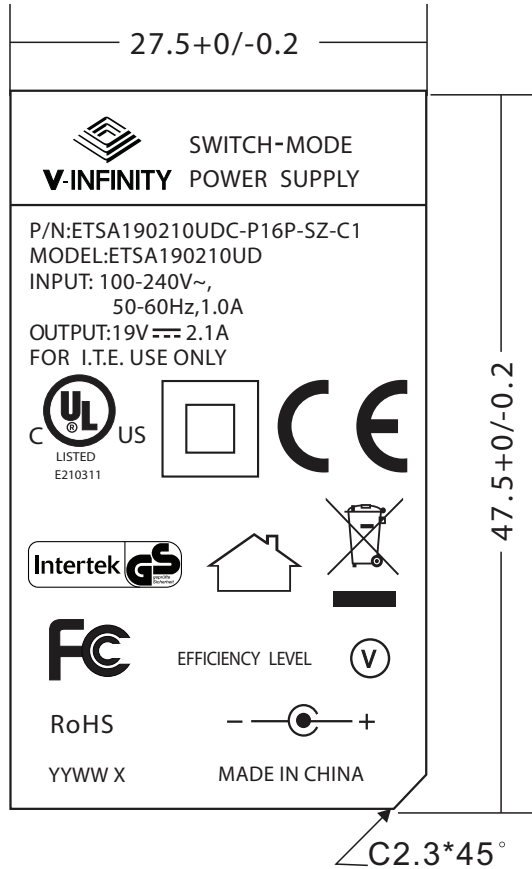
parameter	conditions/description	min	nom	max	units
operating temperature		0		40	$^{\circ}$ C
operating humidity		20		80	%
storage temperature		-10		70	$^{\circ}$ C
storage humidity		10		90	%



PART NUMBER: ETSA190210UDC-P16P-SZ-C1

DESCRIPTION: SWITCHING POWER SUPPLY

**LABEL**



material: metalized polyester  
color: silver on black base

remarks: YYWW X  
YY=production year  
WW=production week  
X=production location

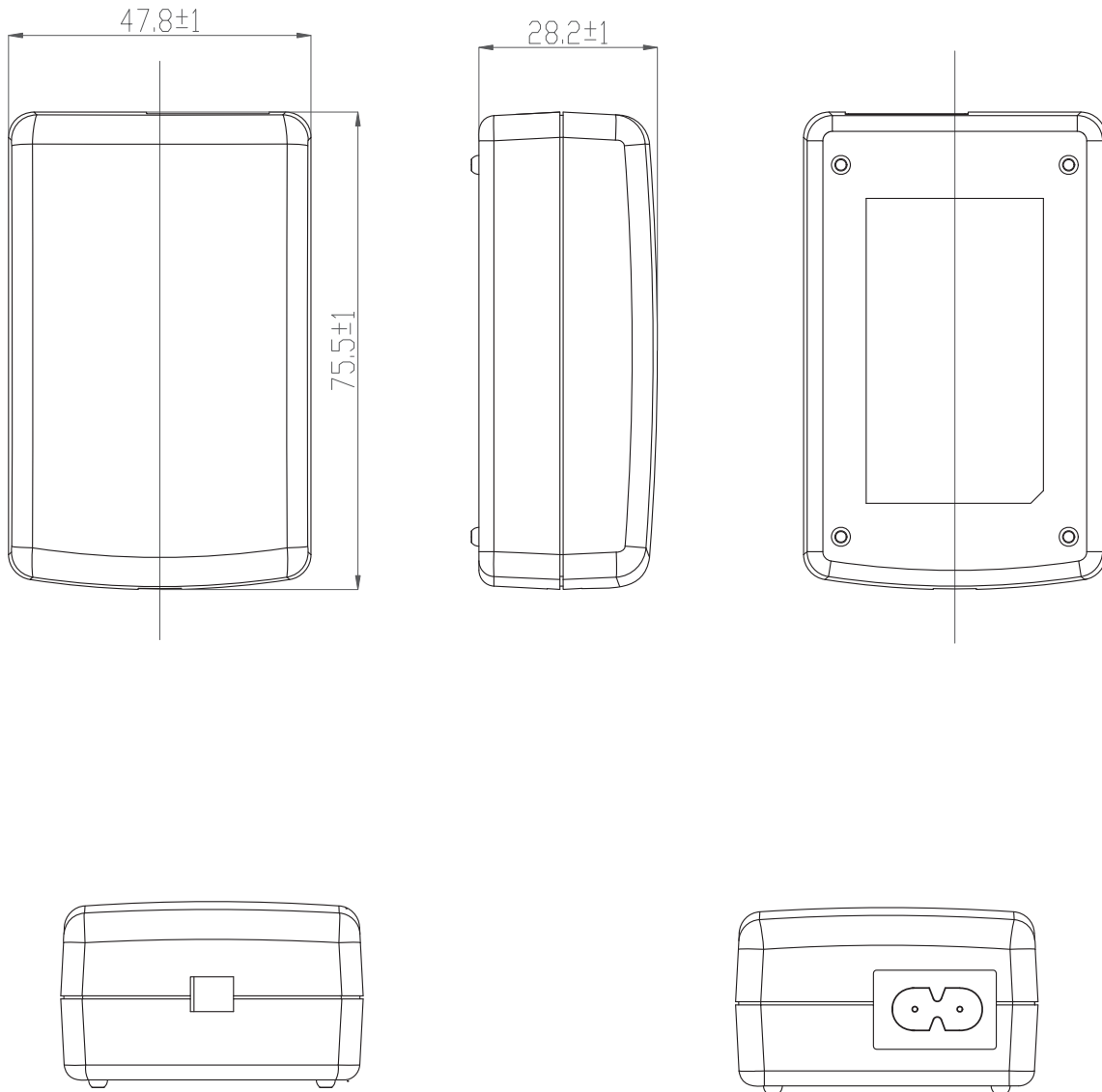


PART NUMBER: ETSA190210UDC-P16P-SZ-C1

DESCRIPTION: SWITCHING POWER SUPPLY

**MECHANICAL DRAWING**

input plug	inlet IEC320 / C8-2 type
weight	155 g
case size	75.5 L x 47.8 W x 28.2 H mm tolerance: $\pm 1$ mm

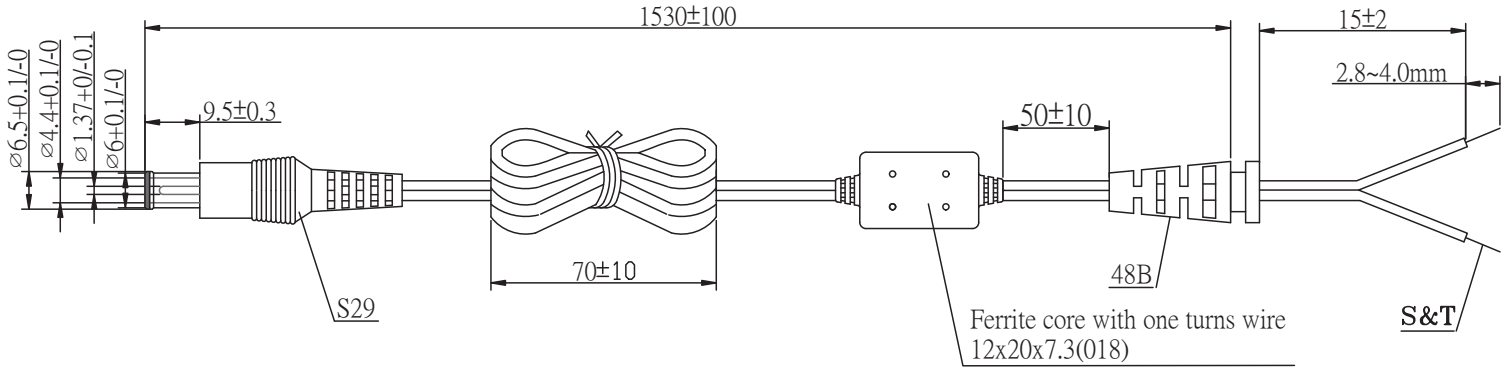




PART NUMBER: ETSA190210UDC-P16P-SZ-C1

DESCRIPTION: SWITCHING POWER SUPPLY

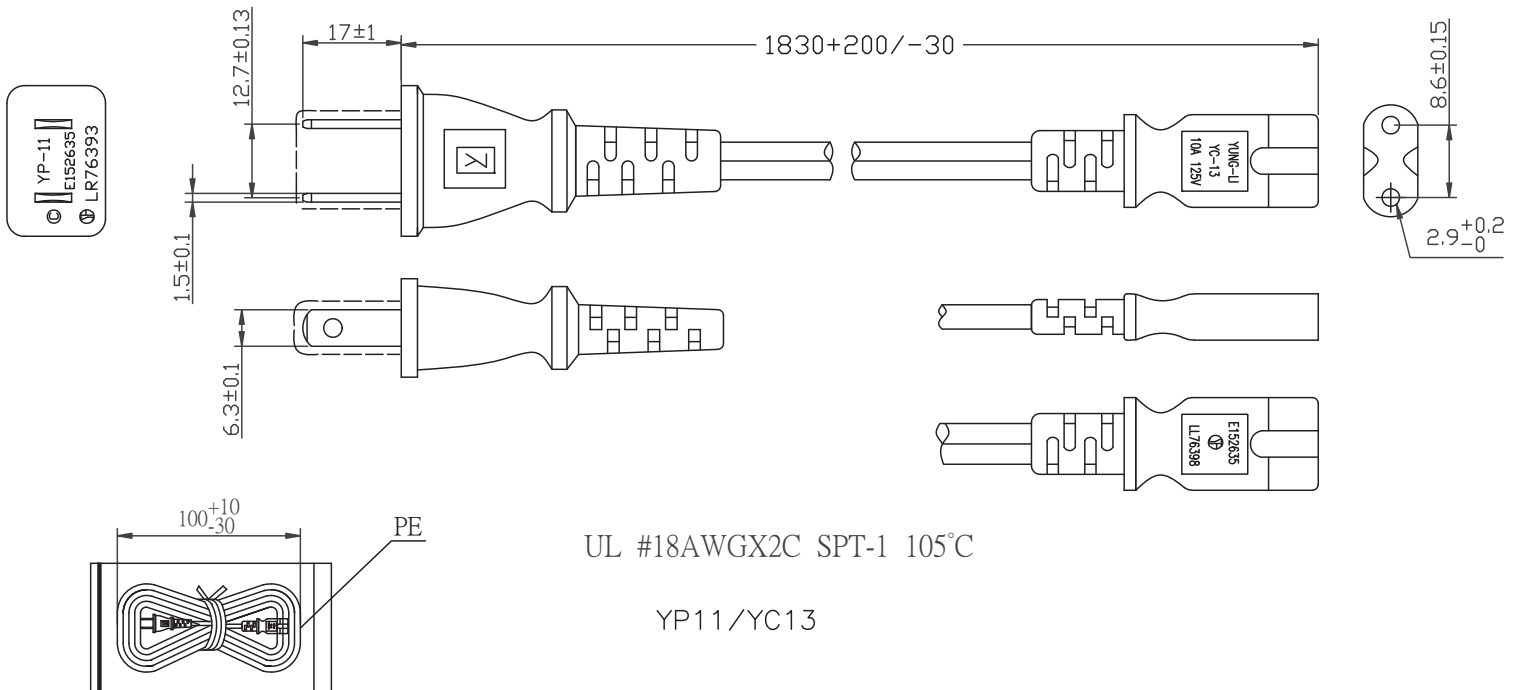
**DC CORD**



#20AWGX2C UL2468 HAVE ON WORD WIRE IN OUTER, NO WORD WIRE IN INNER

OD:  $\varnothing 1.9 \times 3.8$

**AC CORD**



UL #18AWGX2C SPT-1 105°C

YP11/YC13

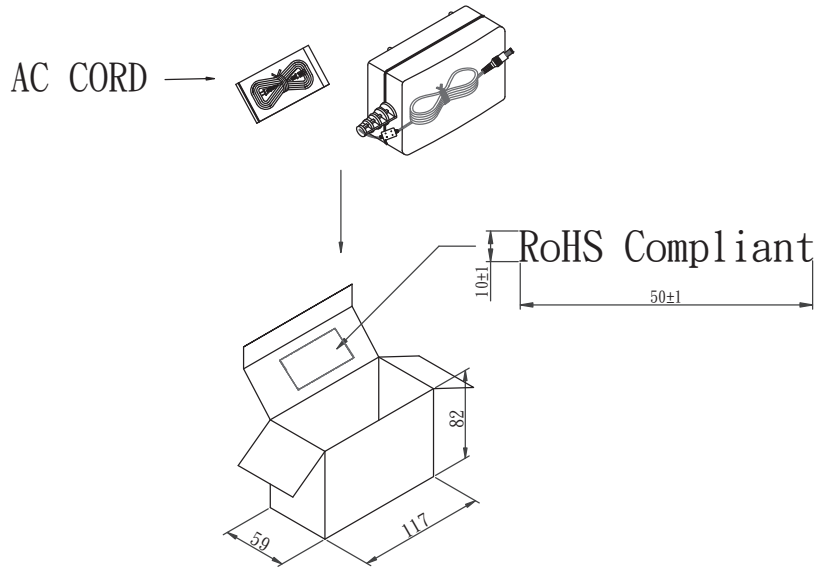


PART NUMBER: ETSA190210UDC-P16P-SZ-C1

DESCRIPTION: SWITCHING POWER SUPPLY

**INDIVIDUAL PACKAGING**

tolerance ± 1 mm



**PACKAGING**

tolerance +7 / -0 mm

EXTERNAL CARTON MATERIAL:A=B(6mm)  
INTERNAL CARTON MATERIAL:B3B(3mm)  
Q'TY: 60PCS(15\*4)  
N.W: 9.3KGS  
G.W: 11.12KGS  
G.W: 11.62KGS

