

2.8W/CH, Stereo, Fully Differential Audio Power Amplifier with Internal Feedback Resistors

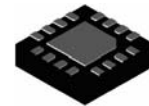
www.datasheet4u.com

General Description

The CP2261 is a stereo fully differential audio power amplifier designed for demanding audio applications. It is capable of delivering 2.8 watt of continuous average power to a 3Ω load with less than 10% distortion (THD+N) from a 5V battery voltage. It operates from 2.2V to 5.5V.

Features like -85dB PSRR at 217Hz, improved RF-rectification immunity, the space-saving QFN16 package, the advanced pop & click circuitry, a minimal count of external components and low-power shutdown mode make the CP2261 ideal for wireless handsets and notebook computers.

The CP2261 is unity-gain stable, and the gain can be configured by external input resistors and internal feedback resistors.



QFN16 Package
3mm x 3mm
-40°C ~ 85°C

Features

- Fully differential amplifier
- Improved PSRR at 217Hz -85dB (typ)
- Power output at 5.0V, 10% THD, 3 Ω 2.8W (typ)
- Power output at 5.0V, 1% THD, 8 Ω 1.25W (typ)
- Ultra low shutdown current 0.1μA (typ)
- Improved crosstalk at 5.0V -100dB (typ)
- Improved pop & click circuitry eliminates noises during turn-on and turn-off transitions
- Thermal overload protection circuitry
- Operating from 2.2V to 5.5V
- External gain configuration capability
- Available in space-saving QFN16 package
- RoHS compliant and 100% lead (Pb)-free

Applications

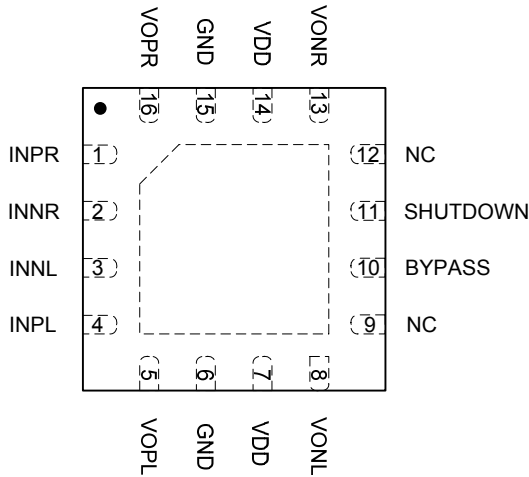
- Wireless handsets
- Portable audio devices
- PDAs
- Notebook computers

2.8W/CH, Stereo, Fully Differential Audio Power Amplifier with Internal Feedback Resistors

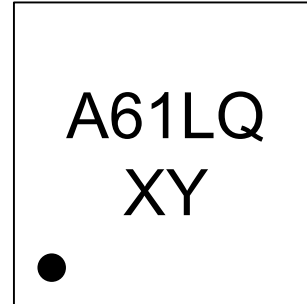
Pin Configurations

www.datasheet4u.com

**QFN16 Package
(Top View)**



QFN16 Marking

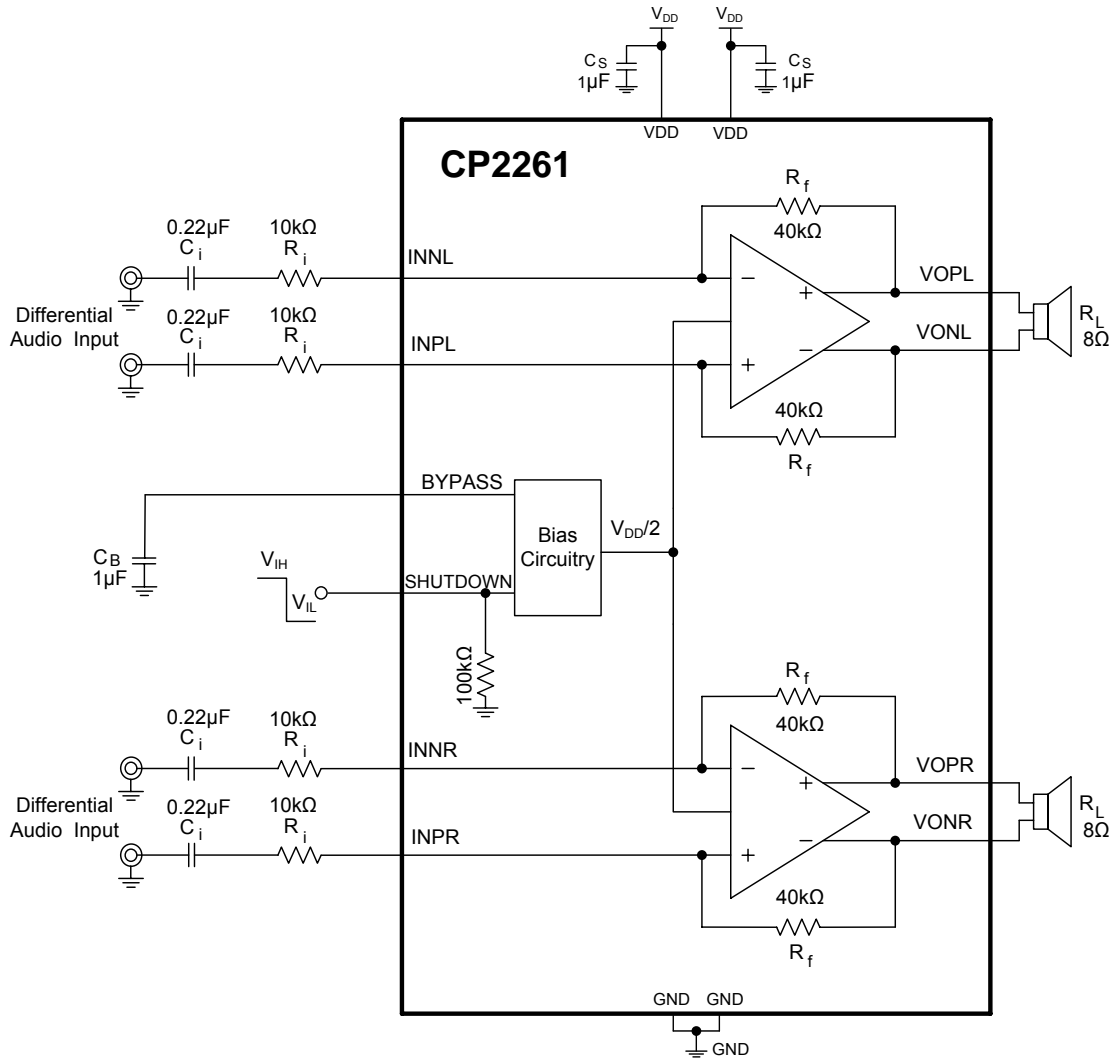


A61LQ - CP2261LQ
XY - Manufacture Date Code

2.8W/CH, Stereo, Fully Differential Audio Power Amplifier with Internal Feedback Resistors

www.datasheet4u.com

Typical Application Circuit



Contact with Chiphomer

4F, Building D, 1618 Yishan Road Shanghai, 201103, P.R.C.

Tel: (86)21-64014543 64058488

Fax: (86)21-64050030

Sale: sales@chiphomer.com

Technical support: support@chiphomer.com

Web site: www.chiphomer.com

Shenzhen Office:

10D, Building 2, Dushi Yangguang Garden CheGongMiao, Futian District, Shenzhen, 518048, P.R.C.

Tel: (86)755-82046706 82047789

Fax: (86)755-8204670