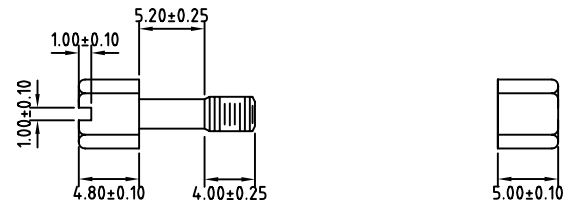


used for:

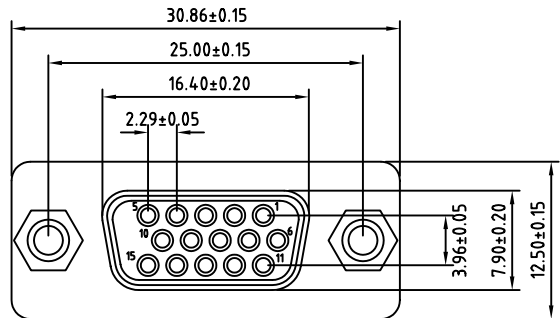
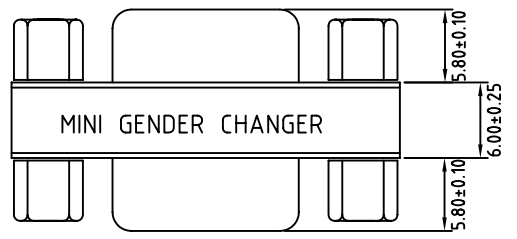
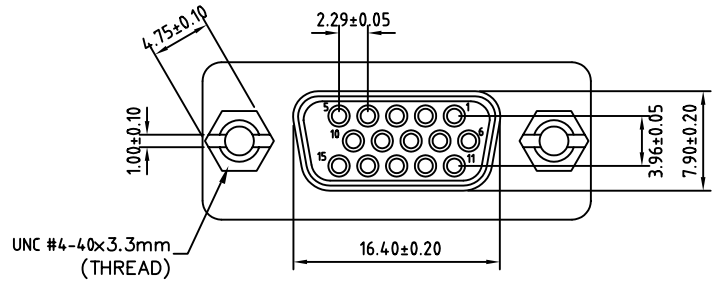
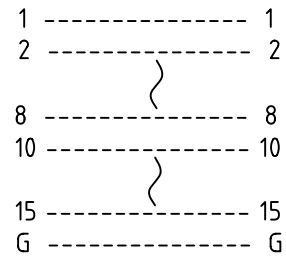
UNC #4-40 HEX Screw

UNC #4-40 HEX Nut



HD 15 F/F GENDER CHANGER PIN OUT

15P Female 15P Female



SPECIFICATIONS:

Material and Finish:

- Insulator: PBT, UL94 V-0 Rated
- Contacts: Brass, Gold over Nickel Plated
- Shell: Steel, Tin Plated
- UNC #4-40 HEX Screw: Brass, Nickel Plated
- UNC #4-40 HEX Nut: Brass, Nickel Plated

Electrical:

- Current Rating: 3 A Max.
- Insulation Resistance: 1000 Mohms Min. @ 500 VDC
- Dielectric Withstanding Voltage: 1000 VAC / 1 Minute
- Operating Temperature: -55°C To +105°C



THIS DRAWING MAY NOT BE COPIED OR REPRODUCED IN ANY WAY, AND MAY NOT BE PASSED ON TO A THIRD PARTY WITHOUT WRITTEN PERMISSION. OWNERSHIP AND COPYRIGHT OF CONEC CORPORATION DO NOT ALTER CAD DRAWING BY HAND

tolerance	
unless otherwise specified tolerance shall be as follow	
Decimal: .x	±0.20
.xx	±0.15

finish	scale:
2007	material: SPECIFICATIONS
date	name
draw. June 28	Vincent Ke
appd. June 28	J. Chaudry
norm	
d-old	
origin	
rev.	description
date	name

scale:	material:
	SPECIFICATIONS
title:	HD 15p Female/Female Gender Changer
	RoHS Compliant
drawing no.:	AutoCAD 2005
	DIN A3
	sheet 1/1
part no.:	16K1A1655
	DAH1SSAAX01A

