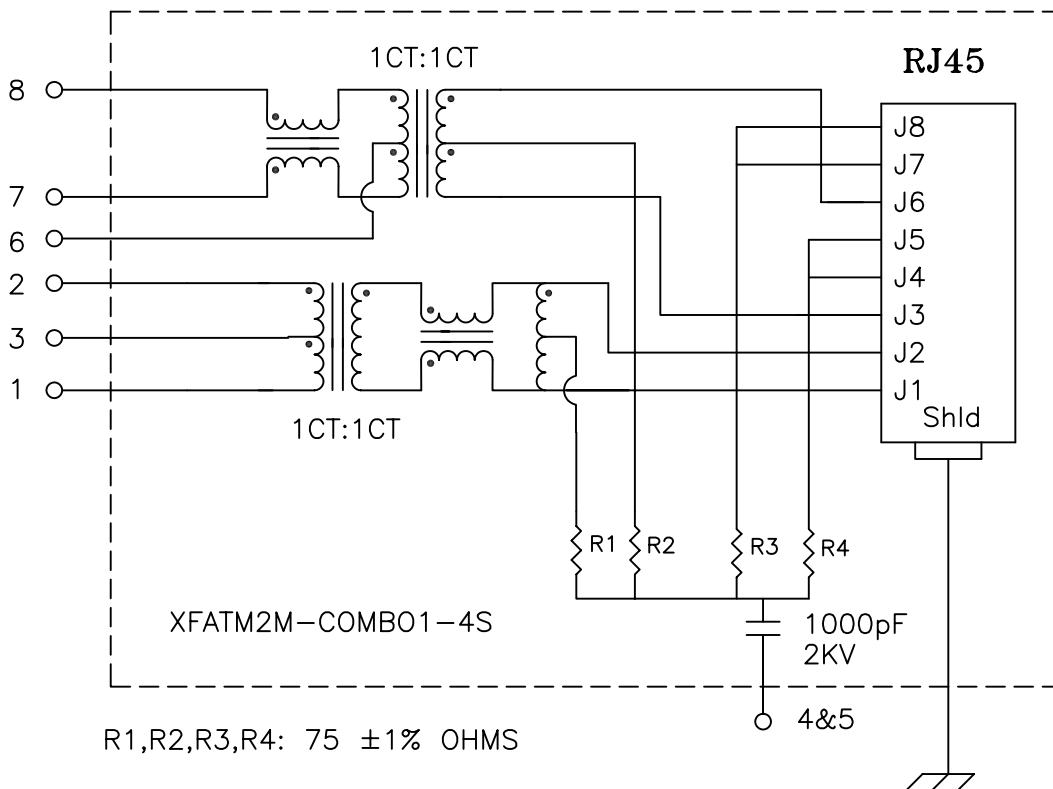


Schematic:



Electrical Specifications: @25°C

Isolation Voltage: 1500 Vac

Isolation Voltage: 500 Vac (6+7+8-2+3+4)

UTP SIDE OCL: 350uH Min @100KHz 100mV 8mADC

Rise Time (10-90%): 2.5ns Typical

Insertion Loss (300KHz-100MHz): -1.1dB Maximum

Insertion Loss (100MHz-125MHz): -1.5dB Maximum

Return Loss: -12dB Typical @300KHz - 100MHz

Crosstalk:

100KHz-60MHz -40dB Typical

60MHz-100MHz -38dB Typical

Common Mode to Differential Mode Rejection:

100KHz-60MHz -45dB Typ (Tx) / -40dB Typ (Rx)

60MHz-100MHz -40dB Typ (Tx) / -35dB Typ (Rx)

XFMRs Inc.

Title:

SINGLE PORT COMBO

UNLESS OTHERWISE SPECIFIED

P/N: XFATM2M-COMBO1-4S

REV. A

TOLERANCES:

DWN.

Buddy Woods

Dec-20-99

.xxx ±0.010

CHK.

Joe Huff

Dec-20-99

Dimensions in Inch

APP.

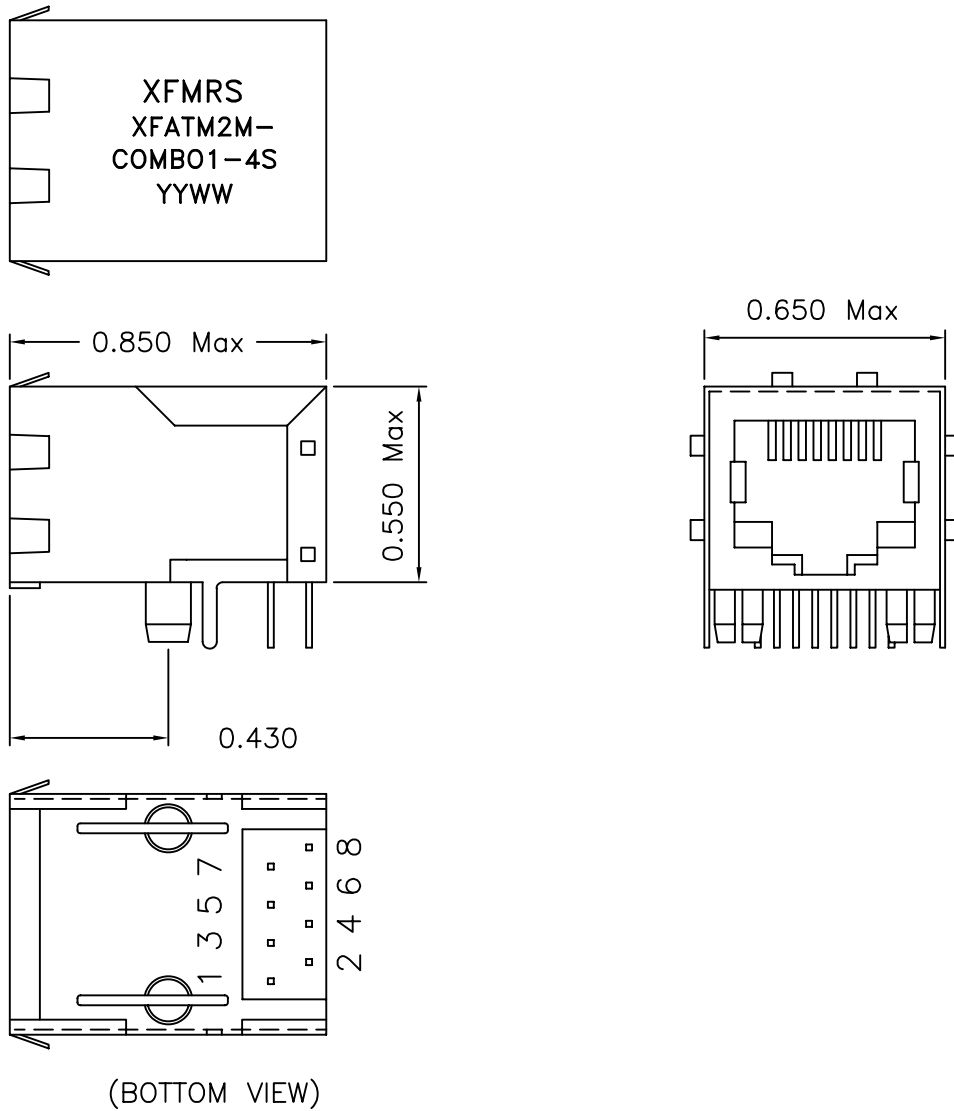
AEI

Dec-20-99

DOC. REV: A/1

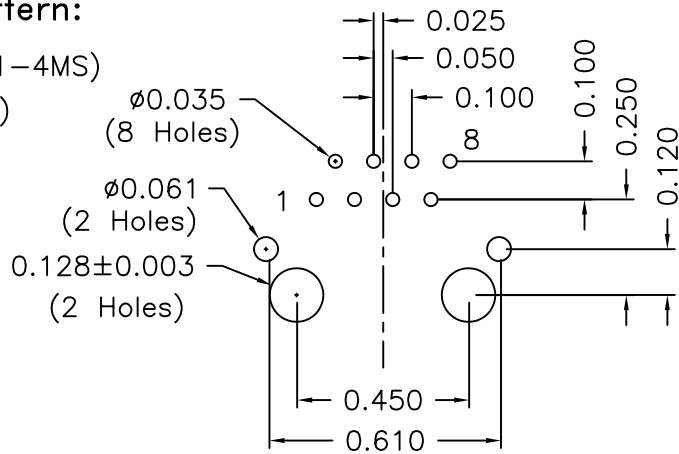
SHEET 1 OF 2

Mechanical Dimensions:



Mounting Pattern:

(FOR COMBO1-4MS)
(COMP SIDE)



DOC. REV: A/1

XFMRS Inc.	Title: Mechanical Dimensions For COMBO1-4S Series	
	UNLESS OTHERWISE SPECIFIED TOLERANCES: .xxx ±0.010 Dimensions in Inch	XFATM2M-COMBO1-4S REV. A
DWN.	Buddy Woods	Dec-20-99
CHK.	Joe Huff	Dec-20-99
SHEET 2 OF 2	APP. AEI	Dec-20-99