



# Low-Power, 4-/8-/12-Channel, I<sup>2</sup>C, 12-Bit ADCs in Ultra-Small Packages

## General Description

The MAX11612–MAX11617 low-power, 12-bit, multi-channel analog-to-digital converters (ADCs) feature internal track/hold (T/H), voltage reference, clock, and an I<sup>2</sup>C-compatible 2-wire serial interface. These devices operate from a single supply of 2.7V to 3.6V (MAX11613/MAX11615/MAX11617) or 4.5V to 5.5V (MAX11612/MAX11614/MAX11616) and require only 670µA at the maximum sampling rate of 94.4ksps. Supply current falls below 230µA for sampling rates under 46ksps. AutoShutdown™ powers down the devices between conversions, reducing supply current to less than 1µA at low throughput rates. The MAX11612/MAX11613 have 4 analog input channels each, the MAX11614/MAX11615 have 8 analog input channels each, while the MAX11616/MAX11617 have 12 analog input channels each. The fully differential analog inputs are software configurable for unipolar or bipolar, and single-ended or differential operation.

The full-scale analog input range is determined by the internal reference or by an externally applied reference voltage ranging from 1V to V<sub>DD</sub>. The MAX11613/MAX11615/MAX11617 feature a 2.048V internal reference and the MAX11612/MAX11614/MAX11616 feature a 4.096V internal reference.

The MAX11612/MAX11613 are available in an 8-pin µMAX® package and the MAX11613 is available in an ultra-small, 1.9mm x 2.2mm, 12-bump wafer-level package (WLP). The MAX11614–MAX11617 are available in a 16-pin QSOP package. The MAX11612–MAX11617 are guaranteed over the extended temperature range (-40°C to +85°C). For pin-compatible 10-bit parts, refer to the MAX11606–MAX11611 data sheet. For pin-compatible 8-bit parts, refer to the MAX11600–MAX11605 data sheet.

## Applications

|                                |                                     |
|--------------------------------|-------------------------------------|
| Handheld Portable Applications | Solar-Powered Remote Systems        |
| Medical Instruments            | Received-Signal-Strength Indicators |
| Battery-Powered Test Equipment | System Supervision                  |

AutoShutdown is a trademark of Maxim Integrated Products, Inc.  
µMAX is a registered trademark of Maxim Integrated Products, Inc.

## Features

- ◆ High-Speed I<sup>2</sup>C-Compatible Serial Interface
  - 400kHz Fast Mode
  - 1.7MHz High-Speed Mode
- ◆ Single-Supply
  - 2.7V to 3.6V (MAX11613/MAX11615/MAX11617)
  - 4.5V to 5.5V (MAX11612/MAX11614/MAX11616)
- ◆ Ultra-Small Packages
  - 8-Pin µMAX (MAX11612/MAX11613)
  - 1.9mm x 2.2mm, 12-Bump WLP (MAX11613)
  - 16-Pin QSOP (MAX11614–MAX11617)
- ◆ Internal Reference
  - 2.048V (MAX11613/MAX11615/MAX11617)
  - 4.096V (MAX11612/MAX11614/MAX11616)
- ◆ External Reference: 1V to V<sub>DD</sub>
- ◆ Internal Clock
- ◆ 4-Channel Single-Ended or 2-Channel Fully Differential (MAX11612/MAX11613)
- ◆ 8-Channel Single-Ended or 4-Channel Fully Differential (MAX11614/MAX11615)
- ◆ 12-Channel Single-Ended or 6-Channel Fully Differential (MAX11616/MAX11617)
- ◆ Internal FIFO with Channel-Scan Mode
- ◆ Low Power
  - 670µA at 94.4ksps
  - 230µA at 40ksps
  - 60µA at 10ksps
  - 6µA at 1ksps
  - 0.5µA in Power-Down Mode
- ◆ Software-Configurable Unipolar/Bipolar

## Ordering Information

| PART          | TEMP RANGE     | PIN-PACKAGE | I <sup>2</sup> C SLAVE ADDRESS |
|---------------|----------------|-------------|--------------------------------|
| MAX11612EUA+  | -40°C to +85°C | 8 µMAX      | 0110100                        |
| MAX11613EUA+  | -40°C to +85°C | 8 µMAX      | 0110100                        |
| MAX11613EWC+* | -40°C to +85°C | 12 WLP      | 0110100                        |
| MAX11614EEE+  | -40°C to +85°C | 16 QSOP     | 0110011                        |
| MAX11615EEE+  | -40°C to +85°C | 16 QSOP     | 0110011                        |
| MAX11616EEE+  | -40°C to +85°C | 16 QSOP     | 0110101                        |
| MAX11617EEE+  | -40°C to +85°C | 16 QSOP     | 0110101                        |

+Denotes a lead(Pb)-free/RoHS-compliant package.

\*Future product—contact factory for availability.

Pin Configurations, Typical Operating Circuit, and Selector Guide appear at end of data sheet.

## 2.7V to 3.6V and 4.5V to 5.5V, Low-Power, 4-/12-Channel, 2-Wire Serial, 12-Bit ADCs

### ABSOLUTE MAXIMUM RATINGS

V<sub>DD</sub> to GND .....-0.3V to +6V  
 AIN0–AIN11,  
 REF to GND .....-0.3V to the lower of (V<sub>DD</sub> + 0.3V) and 6V  
 SDA, SCL to GND .....-0.3V to +6V  
 Maximum Current into Any Pin .....±50mA  
 Continuous Power Dissipation (T<sub>A</sub> = +70°C)  
 8-Pin  $\mu$ MAX (derate 5.9mW/°C above +70°C) .....470.6mW  
 16-Pin QSOP (derate 8.3mW/°C above +70°C) .....666.7mW  
 12-Pin WLP (derate 16.1mW/°C above +70°C) .....1288mW

Operating Temperature Range .....-40°C to +85°C  
 Junction Temperature .....+150°C  
 Storage Temperature Range .....-60°C to +150°C  
 Lead Temperature (soldering, 10s) .....+300°C  
 Soldering Temperature (reflow) .....+260°C

Stresses beyond those listed under "Absolute Maximum Ratings" may cause permanent damage to the device. These are stress ratings only, and functional operation of the device at these or any other conditions beyond those indicated in the operational sections of the specifications is not implied. Exposure to absolute maximum rating conditions for extended periods may affect device reliability.

### ELECTRICAL CHARACTERISTICS

(V<sub>DD</sub> = 2.7V to 3.6V (MAX11613/MAX11615/MAX11617), V<sub>DD</sub> = 4.5V to 5.5V (MAX11612/MAX11614/MAX11616), V<sub>REF</sub> = 2.048V (MAX11613/MAX11615/MAX11617), V<sub>REF</sub> = 4.096V (MAX11612/MAX11614/MAX11616), f<sub>SCL</sub> = 1.7MHz, T<sub>A</sub> = T<sub>MIN</sub> to T<sub>MAX</sub>, unless otherwise noted. Typical values are at T<sub>A</sub> = +25°C, see Tables 1–5 for programming notation.) (Note 1)

| PARAMETER  | SYMBOL            | CONDITIONS                        | MIN  | TYP  | MAX | UNITS  |
|--|-------------------|-----------------------------------|------|------|-----|--------|
| <b>DC ACCURACY (Note 2)</b>  |                   |                                   |      |      |     |        |
| Resolution   |                   |                                   | 12   |      |     | Bits   |
| Relative Accuracy  | INL               | (Note 3)                          |      |      | ±1  | LSB    |
| Differential Nonlinearity  | DNL               | No missing codes over temperature |      |      | ±1  | LSB    |
| Offset Error   |                   |                                   |      |      | ±4  | LSB    |
| Offset-Error Temperature Coefficient   |                   | Relative to FSR                   |      | 0.3  |     | ppm/°C |
| Gain Error   |                   | (Note 4)                          |      |      | ±4  | LSB    |
| Gain-Temperature Coefficient   |                   | Relative to FSR                   |      | 0.3  |     | ppm/°C |
| Channel-to-Channel Offset Matching   |                   |                                   |      | ±0.1 |     | LSB    |
| Channel-to-Channel Gain Matching   |                   |                                   |      | ±0.1 |     | LSB    |
| <b>DYNAMIC PERFORMANCE (f<sub>IN</sub>(SINE-WAVE) = 10kHz, V<sub>IN</sub>(P-P) = V<sub>REF</sub>, f<sub>SAMPLE</sub> = 94.4ksps)</b> |                   |                                   |      |      |     |        |
| Signal-to-Noise Plus Distortion  | SINAD             |                                   |      | 70   |     | dB     |
| Total Harmonic Distortion  | THD               | Up to the 5th harmonic            |      | -78  |     | dB     |
| Spurious-Free Dynamic Range  | SFDR              |                                   |      | 78   |     | dB     |
| Full-Power Bandwidth   |                   | SINAD > 68dB                      |      | 3    |     | MHz    |
| Full-Linear Bandwidth  |                   | -3dB point                        |      | 5    |     | MHz    |
| <b>CONVERSION RATE</b>   |                   |                                   |      |      |     |        |
| Conversion Time (Note 5)   | t <sub>CONV</sub> | Internal clock                    |      | 7.5  |     | μs     |
|  |                   | External clock                    | 10.6 |      |     |        |

# Low-Power, 4-/8-/12-Channel, I<sup>2</sup>C, 12-Bit ADCs in Ultra-Small Packages

MAX11612-MAX11617

## ELECTRICAL CHARACTERISTICS (continued)

(V<sub>DD</sub> = 2.7V to 3.6V (MAX11613/MAX11615/MAX11617), V<sub>DD</sub> = 4.5V to 5.5V (MAX11612/MAX11614/MAX11616), V<sub>REF</sub> = 2.048V (MAX11613/MAX11615/MAX11617), V<sub>REF</sub> = 4.096V (MAX11612/MAX11614/MAX11616), f<sub>SCL</sub> = 1.7MHz, T<sub>A</sub> = T<sub>MIN</sub> to T<sub>MAX</sub>, unless otherwise noted. Typical values are at T<sub>A</sub> = +25°C, see Tables 1–5 for programming notation.) (Note 1)

| PARAMETER   | SYMBOL              | CONDITIONS   | MIN                        | TYP                  | MAX   | UNITS  |   |
|---|---------------------|--|----------------------------|----------------------|-------|--------|---|
| Throughput Rate   | f <sub>SAMPLE</sub> | Internal clock, SCAN[1:0] = 01                                       | 51                         |                      |       | ksps   |   |
|   |                     | Internal clock, SCAN[1:0] = 00<br>CS[3:0] = 1011 (MAX11616/MAX11617) | 51                         |                      |       |        |   |
|   |                     | External clock   | 94.4                       |                      |       |        |   |
| Track/Hold Acquisition Time                                 |                     |  | 800                        |                      |       | ns     |   |
| Internal Clock Frequency                                    |                     |  | 2.8                        |                      |       | MHz    |   |
| Aperture Delay (Note 6)                                     | t <sub>AD</sub>     | External clock, fast mode  | 60                         |                      |       | ns     |   |
|   |                     | External clock, high-speed mode                                      | 30                         |                      |       |        |   |
| <b>ANALOG INPUT (AIN0–AIN11)</b>                            |                     |  |                            |                      |       |        |   |
| Input-Voltage Range, Single-Ended and Differential (Note 7) |                     | Unipolar   | 0                          | V <sub>REF</sub>     |       | V      |   |
|   |                     | Bipolar  | 0                          | ±V <sub>REF</sub> /2 |       |        |   |
| Input Multiplexer Leakage Current                           |                     | ON/OFF leakage current, V <sub>AINL</sub> = 0 or V <sub>DD</sub>     | ±0.01                      | ±1                   |       | μA     |   |
| Input Capacitance   | C <sub>IN</sub>     |  | 22                         |                      |       | pF     |   |
| <b>INTERNAL REFERENCE (Note 8)</b>                          |                     |  |                            |                      |       |        |   |
| Reference Voltage   | V <sub>REF</sub>    | T <sub>A</sub> = +25°C   | MAX11613/MAX11615/MAX11617 | 1.968                | 2.048 | 2.128  | V |
|   |                     |  | MAX11612/MAX11614/MAX11616 | 3.936                | 4.096 | 4.256  |   |
| Reference-Voltage Temperature Coefficient                   | TCV <sub>REF</sub>  |  | 25                         |                      |       | ppm/°C |   |
| REF Short-Circuit Current                                   |                     |  | 2                          |                      |       | mA     |   |
| REF Source Impedance  |                     |  | 1.5                        |                      |       | kΩ     |   |
| <b>EXTERNAL REFERENCE</b>                                   |                     |  |                            |                      |       |        |   |
| REF Input-Voltage Range                                     | V <sub>REF</sub>    | (Note 9)   | 1                          | V <sub>DD</sub>      |       | V      |   |
| REF Input Current   | I <sub>REF</sub>    | f <sub>SAMPLE</sub> = 94.4ksps                                       | 40                         |                      |       | μA     |   |
| <b>DIGITAL INPUTS/OUTPUTS (SCL, SDA)</b>                    |                     |  |                            |                      |       |        |   |
| Input-High Voltage  | V <sub>IH</sub>     |  | 0.7 x V <sub>DD</sub>      |                      |       | V      |   |
| Input-Low Voltage   | V <sub>IL</sub>     |  | 0.3 x V <sub>DD</sub>      |                      |       | V      |   |
| Input Hysteresis  | V <sub>HYST</sub>   |  | 0.1 x V <sub>DD</sub>      |                      |       | V      |   |
| Input Current   | I <sub>IN</sub>     | V <sub>IN</sub> = 0 to V <sub>DD</sub>                               | ±10                        |                      |       | μA     |   |
| Input Capacitance   | C <sub>IN</sub>     |  | 15                         |                      |       | pF     |   |
| Output Low Voltage  | V <sub>OL</sub>     | I <sub>SINK</sub> = 3mA  | 0.4                        |                      |       | V      |   |

# Low-Power, 4-/8-/12-Channel, I<sup>2</sup>C, 12-Bit ADCs in Ultra-Small Packages

## ELECTRICAL CHARACTERISTICS (continued)

(V<sub>DD</sub> = 2.7V to 3.6V (MAX11613/MAX11615/MAX11617), V<sub>DD</sub> = 4.5V to 5.5V (MAX11612/MAX11614/MAX11616), V<sub>REF</sub> = 2.048V (MAX11613/MAX11615/MAX11617), V<sub>REF</sub> = 4.096V (MAX11612/MAX11614/MAX11616), f<sub>SCL</sub> = 1.7MHz, T<sub>A</sub> = T<sub>MIN</sub> to T<sub>MAX</sub>, unless otherwise noted. Typical values are at T<sub>A</sub> = +25°C, see Tables 1–5 for programming notation.) (Note 1)

| PARAMETER                    | SYMBOL          | CONDITIONS                                       | MIN                | TYP  | MAX  | UNITS |
|------------------------------|-----------------|--|--------------------|------|------|-------|
| <b>POWER REQUIREMENTS</b>    |                 |  |                    |      |      |       |
| Supply Voltage               | V <sub>DD</sub> | MAX11613/MAX11615/MAX11617                       | 2.7                |      | 3.6  | V     |
|                              |                 | MAX11612/MAX11614/MAX11616                       | 4.5                |      | 5.5  |       |
| Supply Current               | I <sub>DD</sub> | f <sub>SAMPLE</sub> = 94.4ksps<br>external clock | Internal reference | 900  | 1150 | μA    |
|                              |                 |  | External reference | 670  | 900  |       |
|                              |                 | f <sub>SAMPLE</sub> = 40ksps<br>internal clock   | Internal reference | 530  |      |       |
|                              |                 |  | External reference | 230  |      |       |
|                              |                 | f <sub>SAMPLE</sub> = 10ksps<br>internal clock   | Internal reference | 380  |      |       |
|                              |                 |  | External reference | 60   |      |       |
|                              |                 | f <sub>SAMPLE</sub> = 1ksps<br>internal clock    | Internal reference | 330  |      |       |
|                              |                 |  | External reference | 6    |      |       |
| Shutdown (internal REF off)  |                 |  | 0.5                | 10   |      |       |
| Power-Supply Rejection Ratio | PSRR            | Full-scale input (Note 10)                       |                    | ±0.5 | ±2.0 | LSB/V |

## TIMING CHARACTERISTICS (Figure 1)

(V<sub>DD</sub> = 2.7V to 3.6V (MAX11613/MAX11615/MAX11617), V<sub>DD</sub> = 4.5V to 5.5V (MAX11612/MAX11614/MAX11616), V<sub>REF</sub> = 2.048V (MAX11613/MAX11615/MAX11617), V<sub>REF</sub> = 4.096V (MAX11612/MAX11614/MAX11616), f<sub>SCL</sub> = 1.7MHz, T<sub>A</sub> = T<sub>MIN</sub> to T<sub>MAX</sub>, unless otherwise noted. Typical values are at T<sub>A</sub> = +25°C, see Tables 1–5 for programming notation.) (Note 1)

| PARAMETER  | SYMBOL               | CONDITIONS  | MIN                    | TYP | MAX | UNITS |
|--|----------------------|---|------------------------|-----|-----|-------|
| <b>TIMING CHARACTERISTICS FOR FAST MODE</b>                |                      |   |                        |     |     |       |
| Serial-Clock Frequency                                     | f <sub>SCL</sub>     |   |                        |     | 400 | kHz   |
| Bus Free Time Between a STOP (P) and a START (S) Condition | t <sub>BUF</sub>     |   | 1.3                    |     |     | μs    |
| Hold Time for START (S) Condition                          | t <sub>HD, STA</sub> |   | 0.6                    |     |     | μs    |
| Low Period of the SCL Clock                                | t <sub>LOW</sub>     |   | 1.3                    |     |     | μs    |
| High Period of the SCL Clock                               | t <sub>HIGH</sub>    |   | 0.6                    |     |     | μs    |
| Setup Time for a Repeated START Condition (Sr)             | t <sub>SU, STA</sub> |   | 0.6                    |     |     | μs    |
| Data Hold Time (Note 11)                                   | t <sub>HD, DAT</sub> |   | 0                      |     | 900 | ns    |
| Data Setup Time  | t <sub>SU, DAT</sub> |   | 100                    |     |     | ns    |
| Rise Time of Both SDA and SCL Signals, Receiving           | t <sub>R</sub>       | Measured from 0.3V <sub>DD</sub> - 0.7V <sub>DD</sub>           | 20 + 0.1C <sub>B</sub> |     | 300 | ns    |
| Fall Time of SDA Transmitting                              | t <sub>F</sub>       | Measured from 0.3V <sub>DD</sub> - 0.7V <sub>DD</sub> (Note 12) | 20 + 0.1C <sub>B</sub> |     | 300 | ns    |
| Setup Time for STOP (P) Condition                          | t <sub>SU, STO</sub> |   | 0.6                    |     |     | μs    |
| Capacitive Load for Each Bus Line                          | C <sub>B</sub>       |   |                        |     | 400 | pF    |
| Pulse Width of Spike Suppressed                            | t <sub>SP</sub>      |   |                        |     | 50  | ns    |

# Low-Power, 4-/8-/12-Channel, I<sup>2</sup>C, 12-Bit ADCs in Ultra-Small Packages

MAX11612-MAX11617

## TIMING CHARACTERISTICS (Figure 1) (continued)

(V<sub>DD</sub> = 2.7V to 3.6V (MAX11613/MAX11615/MAX11617), V<sub>DD</sub> = 4.5V to 5.5V (MAX11612/MAX11614/MAX11616), V<sub>REF</sub> = 2.048V (MAX11613/MAX11615/MAX11617), V<sub>REF</sub> = 4.096V (MAX11612/MAX11614/MAX11616), f<sub>SCL</sub> = 1.7MHz, T<sub>A</sub> = T<sub>MIN</sub> to T<sub>MAX</sub>, unless otherwise noted. Typical values are at T<sub>A</sub> = +25°C, see Tables 1–5 for programming notation.) (Note 1)

| PARAMETER  | SYMBOL               | CONDITIONS  | MIN | TYP | MAX | UNITS |
|--|----------------------|---|-----|-----|-----|-------|
| <b>TIMING CHARACTERISTICS FOR HIGH-SPEED MODE (C<sub>B</sub> = 400pF, Note 13)</b> |                      |   |     |     |     |       |
| Serial-Clock Frequency   | f <sub>SCLH</sub>    | (Note 14)   |     |     | 1.7 | MHz   |
| Hold Time, Repeated START Condition (Sr)   | t <sub>HD, STA</sub> |   | 160 |     |     | ns    |
| Low Period of the SCL Clock  | t <sub>LOW</sub>     |   | 320 |     |     | ns    |
| High Period of the SCL Clock   | t <sub>HIGH</sub>    |   | 120 |     |     | ns    |
| Setup Time for a Repeated START Condition (Sr)                                     | t <sub>SU, STA</sub> |   | 160 |     |     | ns    |
| Data Hold Time   | t <sub>HD, DAT</sub> | (Note 11)   | 0   |     | 150 | ns    |
| Data Setup Time  | t <sub>SU, DAT</sub> |   | 10  |     |     | ns    |
| Rise Time of SCL Signal (Current Source Enabled)                                   | t <sub>RCL</sub>     |   | 20  |     | 80  | ns    |
| Rise Time of SCL Signal After Acknowledge Bit                                      | t <sub>RCL1</sub>    | Measured from 0.3V <sub>DD</sub> - 0.7V <sub>DD</sub>           | 20  |     | 160 | ns    |
| Fall Time of SCL Signal  | t <sub>FCL</sub>     | Measured from 0.3V <sub>DD</sub> - 0.7V <sub>DD</sub>           | 20  |     | 80  | ns    |
| Rise Time of SDA Signal  | t <sub>RDA</sub>     | Measured from 0.3V <sub>DD</sub> - 0.7V <sub>DD</sub>           | 20  |     | 160 | ns    |
| Fall Time of SDA Signal  | t <sub>FDA</sub>     | Measured from 0.3V <sub>DD</sub> - 0.7V <sub>DD</sub> (Note 12) | 20  |     | 160 | ns    |
| Setup Time for STOP (P) Condition  | t <sub>SU, STO</sub> |   | 160 |     |     | ns    |
| Capacitive Load for Each Bus Line  | C <sub>B</sub>       |   |     |     | 400 | pF    |
| Pulse Width of Spike Suppressed  | t <sub>SP</sub>      | (Notes 11 and 14)   | 0   |     | 10  | ns    |

**Note 1:** All WLP devices are 100% production tested at T<sub>A</sub> = +25°C. Specifications over temperature limits are guaranteed by design and characterization.

**Note 2:** For DC accuracy, the MAX11612/MAX11614/MAX11616 are tested at V<sub>DD</sub> = 5V and the MAX11613/MAX11615/MAX11617 are tested at V<sub>DD</sub> = 3V. All devices are configured for unipolar, single-ended inputs.

**Note 3:** Relative accuracy is the deviation of the analog value at any code from its theoretical value after the full-scale range and offsets have been calibrated.

**Note 4:** Offset nulled.

**Note 5:** Conversion time is defined as the number of clock cycles needed for conversion multiplied by the clock period. Conversion time does not include acquisition time. SCL is the conversion clock in the external clock mode.

**Note 6:** A filter on the SDA and SCL inputs suppresses noise spikes and delays the sampling instant.

**Note 7:** The absolute input-voltage range for the analog inputs (AIN0–AIN11) is from GND to V<sub>DD</sub>.

**Note 8:** When the internal reference is configured to be available at AIN<sub>\_</sub>/REF (SEL[2:1] = 11), decouple AIN<sub>\_</sub>/REF to GND with a 0.1μF capacitor and a 2kΩ series resistor (see the *Typical Operating Circuit*).

**Note 9:** ADC performance is limited by the converter's noise floor, typically 300μV<sub>p-p</sub>.

**Note 10:** Measured as for the MAX11613/MAX11615/MAX11617:

# Low-Power, 4-/8-/12-Channel, I<sup>2</sup>C, 12-Bit ADCs in Ultra-Small Packages

## TIMING CHARACTERISTICS (Figure 1) (continued)

(V<sub>DD</sub> = 2.7V to 3.6V (MAX11613/MAX11615/MAX11617), V<sub>DD</sub> = 4.5V to 5.5V (MAX11612/MAX11614/MAX11616), V<sub>REF</sub> = 2.048V (MAX11613/MAX11615/MAX11617), V<sub>REF</sub> = 4.096V (MAX11612/MAX11614/MAX11616), f<sub>SCL</sub> = 1.7MHz, T<sub>A</sub> = T<sub>MIN</sub> to T<sub>MAX</sub>, unless otherwise noted. Typical values are at T<sub>A</sub> = +25°C, see Tables 1–5 for programming notation.) (Note 1)

and for the MAX11612/MAX11614/MAX11616, where N is the number of bits:

$$\frac{[V_{FS(5.5V)} - V_{FS(4.5V)}] \times \frac{2^N - 1}{V_{REF}}}{(5.5V - 4.5V)}$$

**Note 11:** A master device must provide a data hold time for SDA (referred to V<sub>IL</sub> of SCL) to bridge the undefined region of SCL's falling edge (see Figure 1).

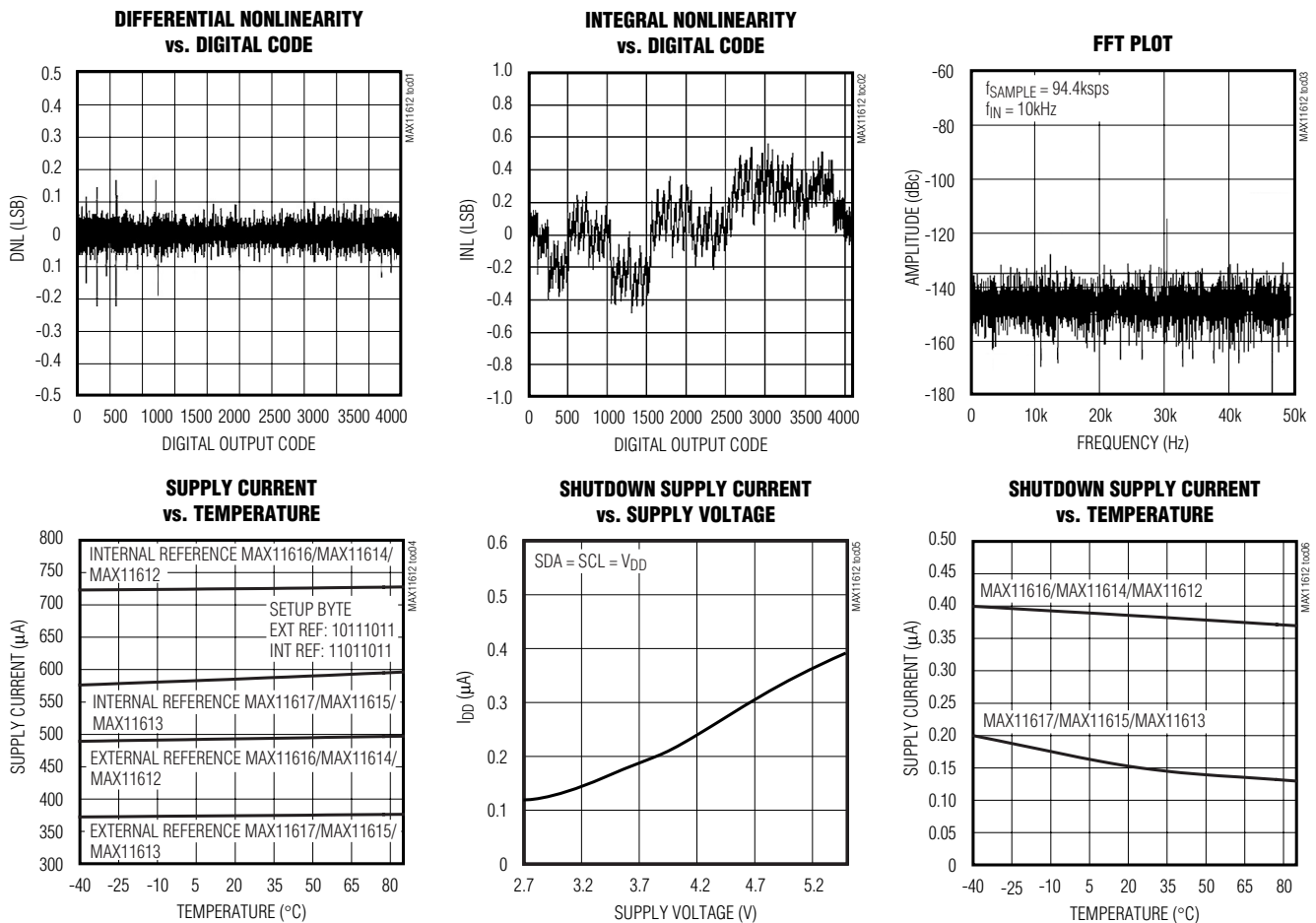
**Note 12:** The minimum value is specified at T<sub>A</sub> = +25°C.

**Note 13:** C<sub>B</sub> = total capacitance of one bus line in pF.

**Note 14:** f<sub>SCL</sub> must meet the minimum clock low time plus the rise/fall times.

## Typical Operating Characteristics

(V<sub>DD</sub> = 3.3V (MAX11613/MAX11615/MAX11617), V<sub>DD</sub> = 5V (MAX11612/MAX11614/MAX11616), f<sub>SCL</sub> = 1.7MHz, (50% duty cycle), f<sub>SAMPLE</sub> = 94.4ksps, single-ended, unipolar, T<sub>A</sub> = +25°C, unless otherwise noted.)



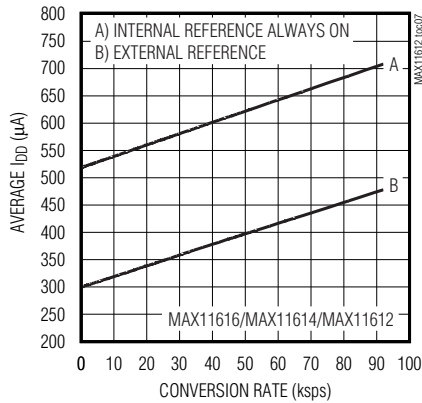
# Low-Power, 4-/8-/12-Channel, I<sup>2</sup>C, 12-Bit ADCs in Ultra-Small Packages

MAX11612-MAX11617

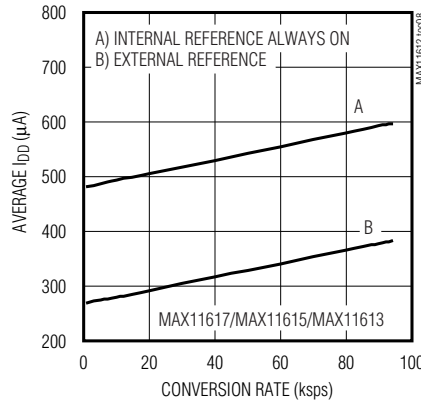
## Typical Operating Characteristics (continued)

( $V_{DD} = 3.3V$  (MAX11613/MAX11615/MAX11617),  $V_{DD} = 5V$  (MAX11612/MAX11614/MAX11616),  $f_{SCL} = 1.7MHz$ , (50% duty cycle),  $f_{SAMPLE} = 94.4ksp/s$ , single-ended, unipolar,  $T_A = +25^\circ C$ , unless otherwise noted.)

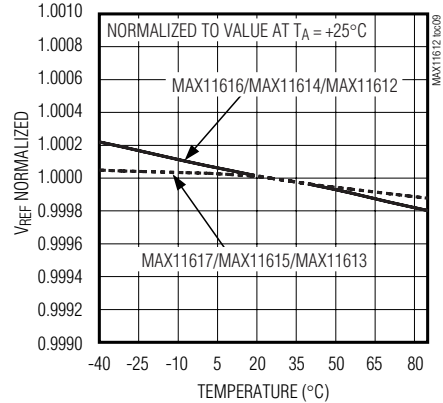
**AVERAGE SUPPLY CURRENT vs. CONVERSION RATE (EXTERNAL CLOCK)**



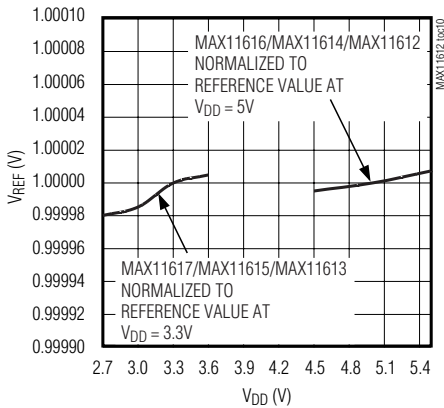
**AVERAGE SUPPLY CURRENT vs. CONVERSION RATE (EXTERNAL CLOCK)**



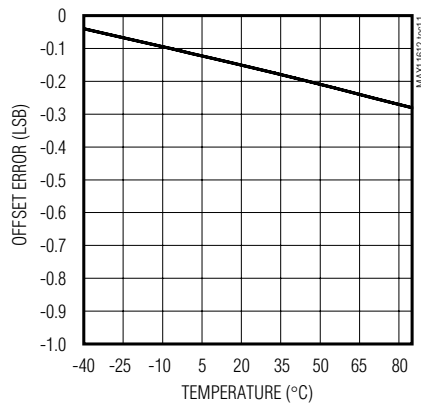
**INTERNAL REFERENCE VOLTAGE vs. TEMPERATURE**



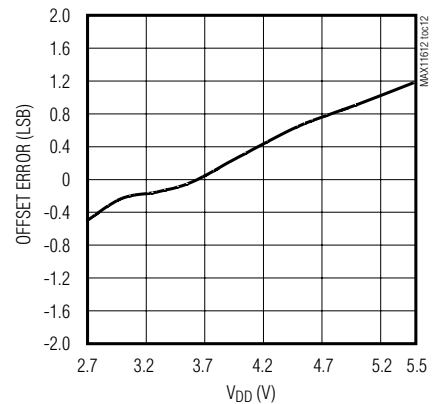
**NORMALIZED REFERENCE VOLTAGE vs. SUPPLY VOLTAGE**



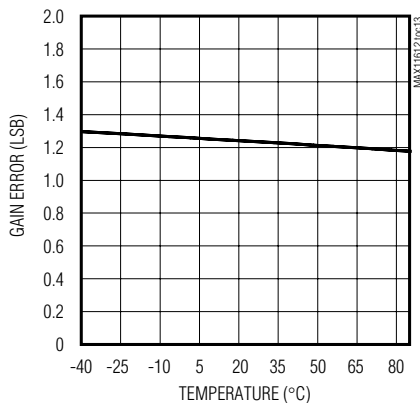
**OFFSET ERROR vs. TEMPERATURE**



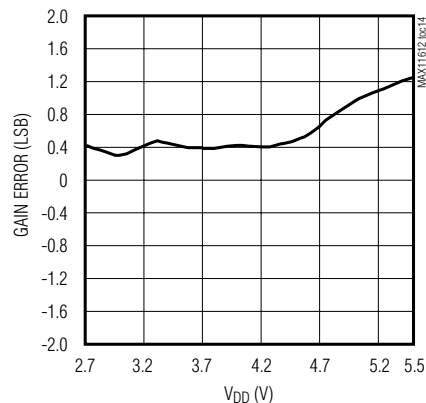
**OFFSET ERROR vs. SUPPLY VOLTAGE**



**GAIN ERROR vs. TEMPERATURE**



**GAIN ERROR vs. SUPPLY VOLTAGE**



# Low-Power, 4-/8-/12-Channel, I<sup>2</sup>C, 12-Bit ADCs in Ultra-Small Packages

## Pin Description

| PIN                  |                       |                      |                      | NAME             | FUNCTION  |
|----------------------|-----------------------|----------------------|----------------------|------------------|---|
| MAX11612<br>MAX11613 |                       | MAX11614<br>MAX11615 | MAX11616<br>MAX11617 |                  |   |
| μMAX                 | WLP                   |                      |                      |                  |   |
| 1, 2, 3              | A1, A2, A3            | 5, 6, 7              | 5, 6, 7              | AIN0, AIN1, AIN2 | Analog Inputs   |
| —                    | —                     | 8–12                 | 8–12                 | AIN3–AIN7        |   |
| —                    | —                     | —                    | 4, 3, 2              | AIN8–AIN10       |   |
| 4                    | A4                    | —                    | —                    | AIN3/REF         | Analog Input 3/Reference Input or Output. Selected in the setup register (see Tables 1 and 6).  |
| —                    | —                     | 1                    | —                    | REF              | Reference Input or Output. Selected in the setup register (see Tables 1 and 6).                 |
| —                    | —                     | —                    | 1                    | AIN11/REF        | Analog Input 11/Reference Input or Output. Selected in the setup register (see Tables 1 and 6). |
| 5                    | C4                    | 13                   | 13                   | SCL              | Clock Input   |
| 6                    | C3                    | 14                   | 14                   | SDA              | Data Input/Output   |
| 7                    | B1, B2, B3,<br>B4, C2 | 15                   | 15                   | GND              | Ground  |
| 8                    | C1                    | 16                   | 16                   | V <sub>DD</sub>  | Positive Supply. Bypass to GND with a 0.1μF capacitor.  |
| —                    | —                     | 2, 3, 4              | —                    | N.C.             | No connection. Not internally connected.  |

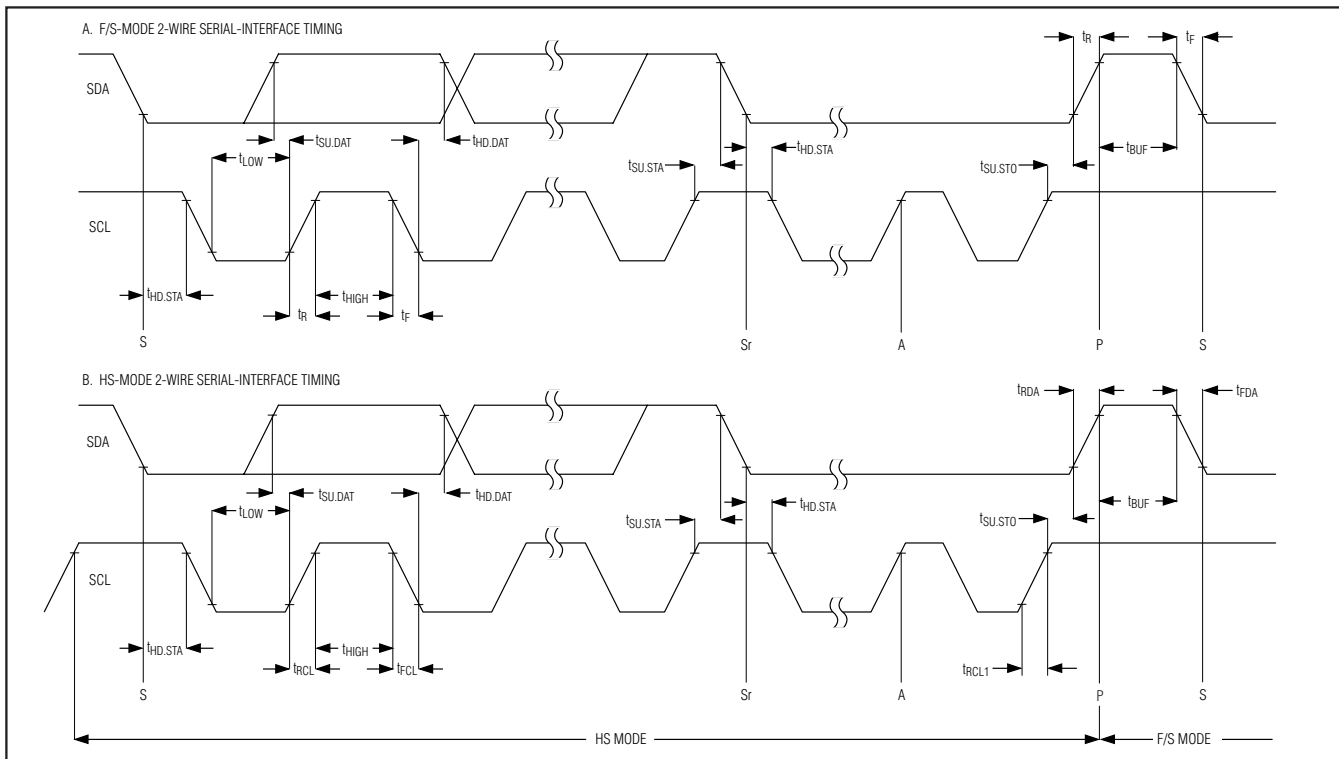


Figure 1. 2-Wire Serial-Interface Timing



# Low-Power, 4-/8-/12-Channel, I<sup>2</sup>C, 12-Bit ADCs in Ultra-Small Packages

MAX11612-MAX11617

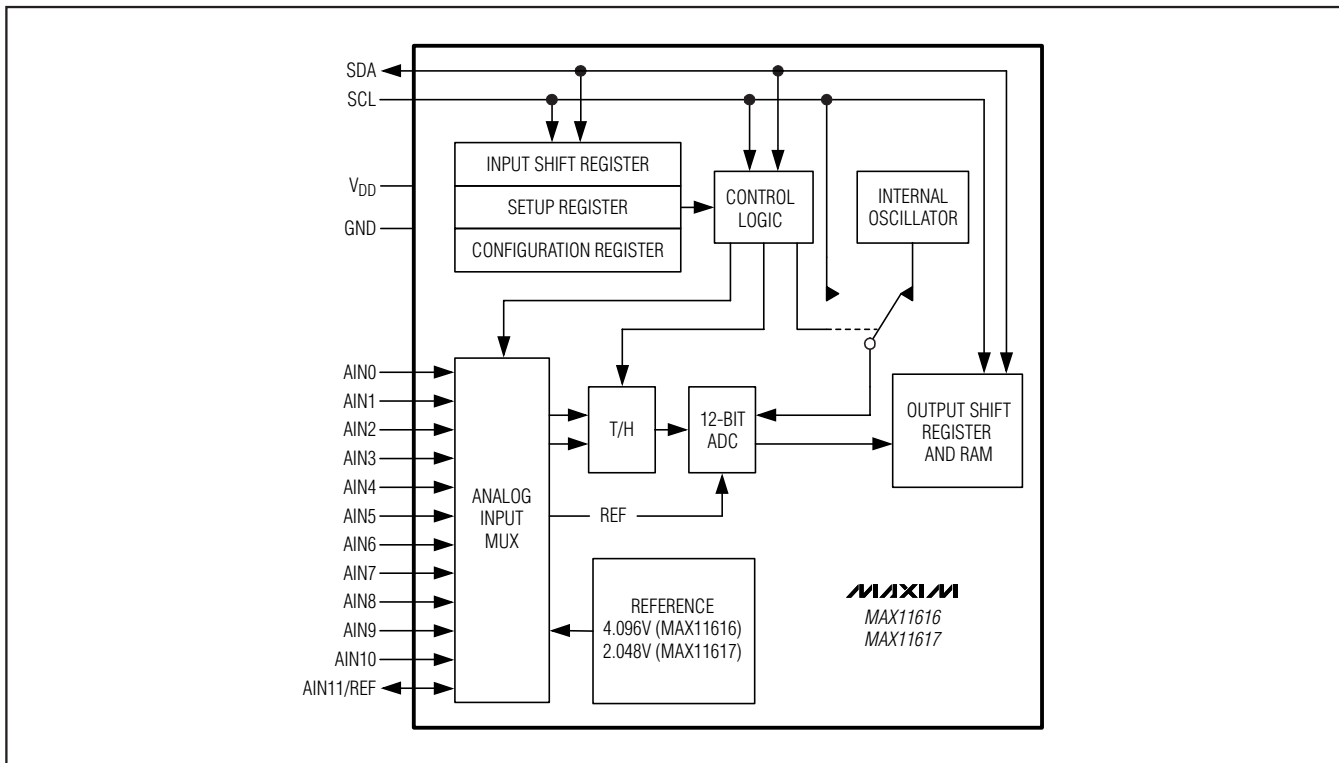


Figure 2. MAX11616/MAX11617 Simplified Functional Diagram

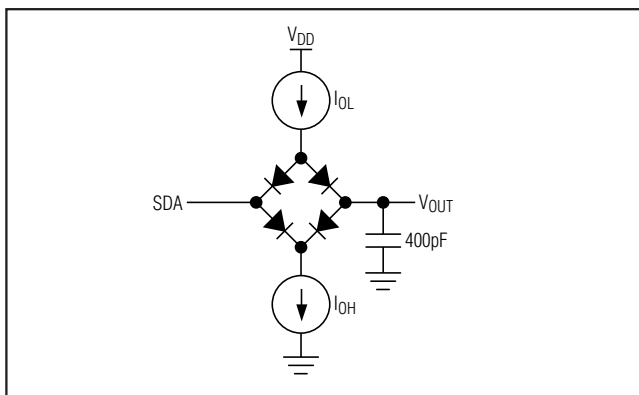


Figure 3. Load Circuit

## Detailed Description

The MAX11612–MAX11617 analog-to-digital converters (ADCs) use successive-approximation conversion techniques and fully differential input track/hold (T/H) circuitry to capture and convert an analog signal to a serial 12-bit digital output. The MAX11612/MAX11613 are 4-channel ADCs, the MAX11614/MAX11615 are 8-channel ADCs, and the MAX11616/MAX11617 are 12-channel ADCs. These devices feature a high-speed,

2-wire serial interface supporting data rates up to 1.7MHz. Figure 2 shows the simplified internal structure for the MAX11616/MAX11617.

### Power Supply

The MAX11612–MAX11617 operate from a single supply and consume 670 $\mu$ A (typ) at sampling rates up to 94.4ksp/s. The MAX11613/MAX11615/MAX11617 feature a 2.048V internal reference and the MAX11612/MAX11614/MAX11616 feature a 4.096V internal reference. All devices can be configured for use with an external reference from 1V to V<sub>DD</sub>.

### Analog Input and Track/Hold

The MAX11612–MAX11617 analog-input architecture contains an analog-input multiplexer (mux), a fully differential track-and-hold (T/H) capacitor, T/H switches, a comparator, and a fully differential switched capacitive digital-to-analog converter (DAC) (Figure 4).

In single-ended mode, the analog input multiplexer connects C<sub>T/H</sub> between the analog input selected by CS[3:0] (see the *Configuration/Setup Bytes (Write Cycle)* section) and GND (Table 3). In differential mode, the analog-input multiplexer connects C<sub>T/H</sub> to the + and - analog inputs selected by CS[3:0] (Table 4).

## Low-Power, 4-/8-/12-Channel, I<sup>2</sup>C, 12-Bit ADCs in Ultra-Small Packages

During the acquisition interval, the T/H switches are in the track position and  $C_{T/H}$  charges to the analog input signal. At the end of the acquisition interval, the T/H switches move to the hold position retaining the charge on  $C_{T/H}$  as a stable sample of the input signal.

During the conversion interval, the switched capacitive DAC adjusts to restore the comparator input voltage to 0V within the limits of a 12-bit resolution. This action requires 12 conversion clock cycles and is equivalent to transferring a charge of  $11\text{pF} \times (V_{IN+} - V_{IN-})$  from  $C_{T/H}$  to the binary weighted capacitive DAC, forming a digital representation of the analog input signal.

Sufficiently low source impedance is required to ensure an accurate sample. A source impedance of up to  $1.5\text{k}\Omega$  does not significantly degrade sampling accuracy. To minimize sampling errors with higher source impedances, connect a  $100\text{pF}$  capacitor from the analog input to GND. This input capacitor forms an RC filter with the source impedance limiting the analog-input bandwidth. For larger source impedances, use a buffer amplifier to maintain analog-input signal integrity and bandwidth.

When operating in internal clock mode, the T/H circuitry enters its tracking mode on the eighth rising clock edge of the address byte, see the *Slave Address* section. The T/H circuitry enters hold mode on the falling clock edge of the acknowledge bit of the address byte (the ninth clock pulse). A conversion or a series of conversions is then internally clocked and the MAX11612-MAX11617 holds SCL low. With external clock mode, the T/H circuitry enters track mode after a valid address on the rising

edge of the clock during the read ( $R/\overline{W} = 1$ ) bit. Hold mode is then entered on the rising edge of the second clock pulse during the shifting out of the first byte of the result. The conversion is performed during the next 12 clock cycles.

The time required for the T/H circuitry to acquire an input signal is a function of the input sample capacitance. If the analog-input source impedance is high, the acquisition time constant lengthens and more time must be allowed between conversions. The acquisition time ( $t_{ACQ}$ ) is the minimum time needed for the signal to be acquired. It is calculated by:

$$t_{ACQ} \geq 9 \times (R_{SOURCE} + R_{IN}) \times C_{IN}$$

where  $R_{SOURCE}$  is the analog-input source impedance,  $R_{IN} = 2.5\text{k}\Omega$ , and  $C_{IN} = 22\text{pF}$ .  $t_{ACQ}$  is  $1.5/f_{SCL}$  for internal clock mode and  $t_{ACQ} = 2/f_{SCL}$  for external clock mode.

### Analog Input Bandwidth

The MAX11612-MAX11617 feature input-tracking circuitry with a 5MHz small-signal bandwidth. The 5MHz input bandwidth makes it possible to digitize high-speed transient events and measure periodic signals with bandwidths exceeding the ADC's sampling rate by using under sampling techniques. To avoid high-frequency signals being aliased into the frequency band of interest, anti-alias filtering is recommended.

### Analog Input Range and Protection

Internal protection diodes clamp the analog input to  $V_{DD}$  and GND. These diodes allow the analog inputs to

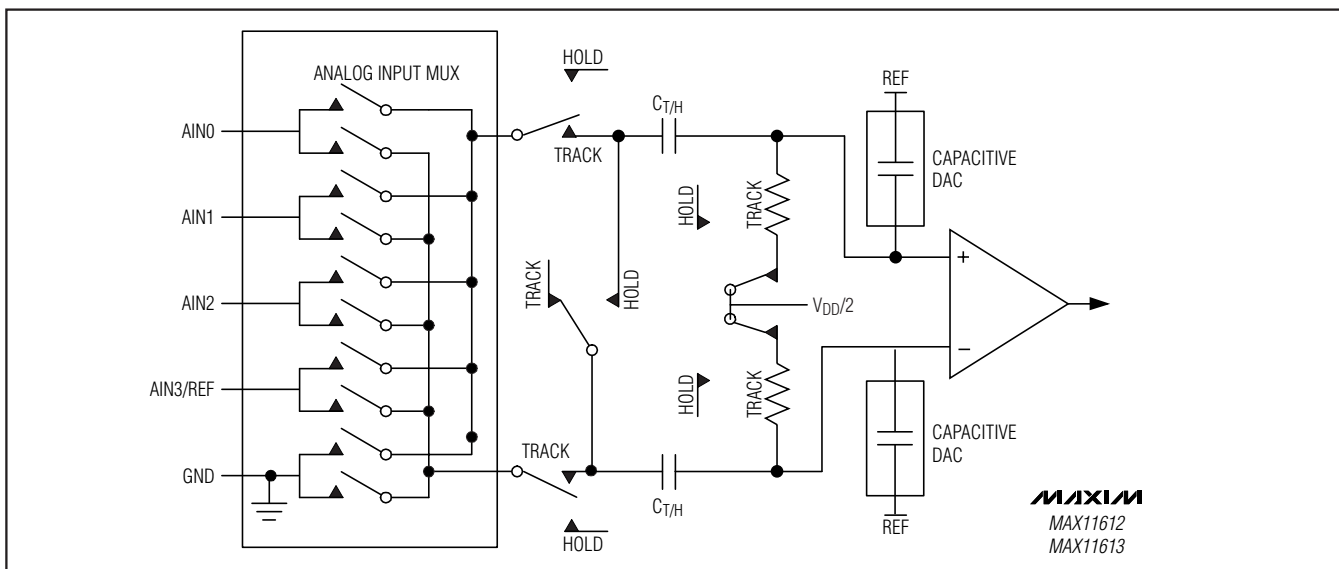


Figure 4. Equivalent Input Circuit

# Low-Power, 4-/8-/12-Channel, I<sup>2</sup>C, 12-Bit ADCs in Ultra-Small Packages

swing from (GND - 0.3V) to (V<sub>DD</sub> + 0.3V) without causing damage to the device. For accurate conversions, the inputs must not go more than 50mV below GND or above V<sub>DD</sub>.

## Single-Ended/Differential Input

The SGL/DIF of the configuration byte configures the MAX11612–MAX11617 analog-input circuitry for single-ended or differential inputs (Table 2). In single-ended mode (SGL/DIF = 1), the digital conversion results are the difference between the analog input selected by CS[3:0] and GND (Table 3). In differential mode (SGL/DIF = 0), the digital conversion results are the difference between the + and the - analog inputs selected by CS[3:0] (Table 4).

## Unipolar/Bipolar

When operating in differential mode, the BIP/UNI bit of the set-up byte (Table 1) selects unipolar or bipolar operation. Unipolar mode sets the differential input range from 0 to V<sub>REF</sub>. A negative differential analog input in unipolar mode causes the digital output code to be zero. Selecting bipolar mode sets the differential input range to ±V<sub>REF</sub>/2. The digital output code is binary in unipolar mode and two's complement in bipolar mode. See the *Transfer Functions* section.

In single-ended mode, the MAX11612–MAX11617 always operates in unipolar mode irrespective of BIP/UNI. The analog inputs are internally referenced to GND with a full-scale input range from 0 to V<sub>REF</sub>.

## 2-Wire Digital Interface

The MAX11612–MAX11617 feature a 2-wire interface consisting of a serial-data line (SDA) and serial-clock line (SCL). SDA and SCL facilitate bidirectional communication between the MAX11612–MAX11617 and the master at rates up to 1.7MHz. The MAX11612–MAX11617 are slaves that transfer and receive data. The master (typically a microcontroller) initiates data transfer on the bus and generates the SCL signal to permit that transfer.

SDA and SCL must be pulled high. This is typically done with pullup resistors (750Ω or greater) (see the *Typical Operating Circuit*). Series resistors (R<sub>S</sub>) are optional. They protect the input architecture of the MAX11612–MAX11617 from high voltage spikes on the bus lines and minimize crosstalk and undershoot of the bus signals.

## Bit Transfer

One data bit is transferred during each SCL clock cycle. A minimum of 18 clock cycles are required to transfer the data in or out of the MAX11612–MAX11617. The data on SDA must remain stable during the high period of the SCL clock pulse. Changes in SDA while

SCL is stable are considered control signals (see the *START and STOP Conditions* section). Both SDA and SCL remain high when the bus is not busy.

## START and STOP Conditions

The master initiates a transmission with a START condition (S), a high-to-low transition on SDA while SCL is high. The master terminates a transmission with a STOP condition (P), a low-to-high transition on SDA while SCL is high (Figure 5). A repeated START condition (Sr) can be used in place of a STOP condition to leave the bus active and the interface mode unchanged (see the *HS Mode* section).

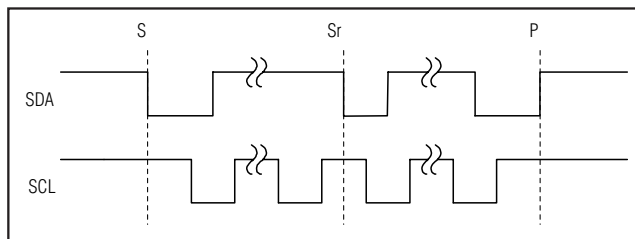


Figure 5. START and STOP Conditions

## Acknowledge Bits

Data transfers are acknowledged with an acknowledge bit (A) or a not-acknowledge bit ( $\bar{A}$ ). Both the master and the MAX11612–MAX11617 (slave) generate acknowledge bits. To generate an acknowledge, the receiving device must pull SDA low before the rising edge of the acknowledge-related clock pulse (ninth pulse) and keep it low during the high period of the clock pulse (Figure 6). To generate a not-acknowledge, the receiver allows SDA to be pulled high before the rising edge of the acknowledge-related clock pulse and leaves SDA high during the high period of the clock pulse. Monitoring the acknowledge bits allows for detection of unsuccessful data transfers. An unsuccessful data transfer happens if a receiving device is busy or if a system fault has occurred. In the event of an unsuccessful data transfer, the bus master should reattempt communication at a later time.

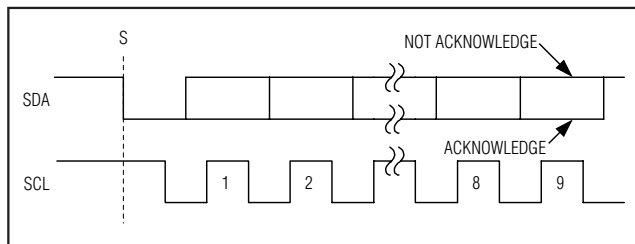


Figure 6. Acknowledge Bits

# Low-Power, 4-/8-/12-Channel, I<sup>2</sup>C, 12-Bit ADCs in Ultra-Small Packages

## Slave Address

A bus master initiates communication with a slave device by issuing a START condition followed by a slave address. When idle, the MAX11612-MAX11617 continuously wait for a START condition followed by their slave address. When the MAX11612-MAX11617 recognize their slave address, they are ready to accept or send data. See the *Ordering Information* for the factory programmed slave address of the selected device. The least significant bit (LSB) of the address byte (R/W) determines whether the master is writing to or reading from the MAX11612-MAX11617 (R/W = 0 selects a write condition, R/W = 1 selects a read condition). After receiving the address, the MAX11612-MAX11617 (slave) issues an acknowledge by pulling SDA low for one clock cycle.

## Bus Timing

At power-up, the MAX11612-MAX11617 bus timing is set for fast-mode (F/S mode), which allows conversion rates up to 22.2ksps. The MAX11612-MAX11617 must operate in high-speed mode (HS mode) to achieve conversion rates up to 94.4ksps. Figure 1 shows the bus timing for the MAX11612-MAX11617's 2-wire interface.

## HS Mode

At power-up, the MAX11612-MAX11617 bus timing is set for F/S mode. The bus master selects HS mode by addressing all devices on the bus with the HS-mode master code 0000 1XXX (X = don't care). After successfully receiving the HS-mode master code, the MAX11612-MAX11617 issue a not-acknowledge, allowing SDA to be pulled high for one clock cycle (Figure 8). After the not-acknowledge, the MAX11612-MAX11617 are in HS mode. The bus master must then send a repeated START followed by a slave address to initiate HS mode communication. If the master generates a STOP condition, the MAX11612-MAX11617 return to F/S mode.

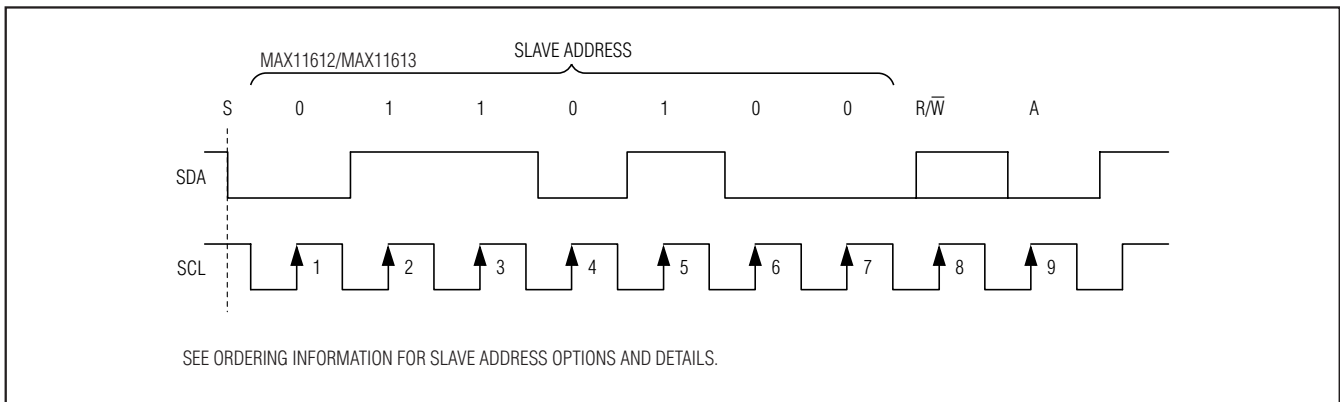


Figure 7. MAX11612/MAX11613 Slave Address Byte

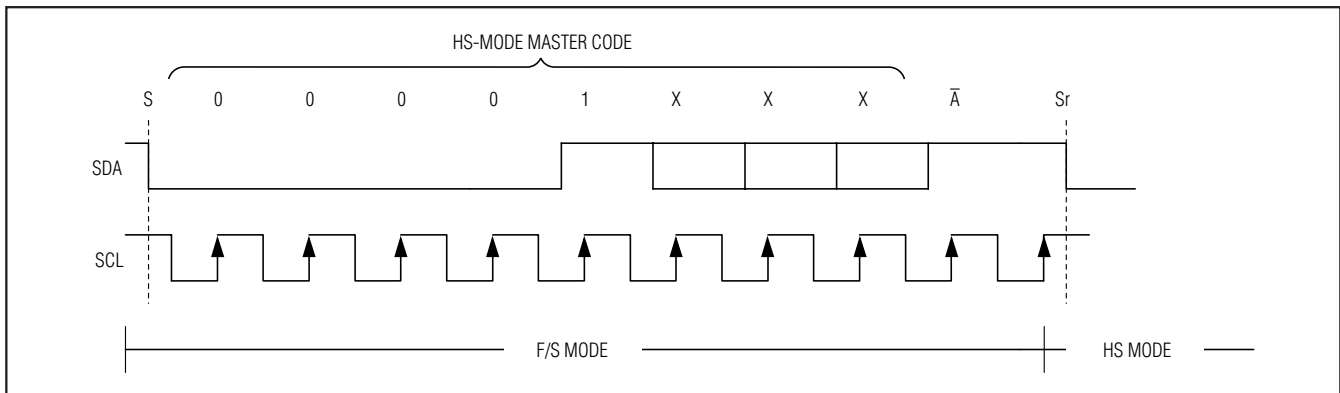


Figure 8. F/S-Mode to HS-Mode Transfer

# Low-Power, 4-/8-/12-Channel, I<sup>2</sup>C, 12-Bit ADCs in Ultra-Small Packages

## Configuration/Setup Bytes (Write Cycle)

A write cycle begins with the bus master issuing a START condition followed by seven address bits (Figure 7) and a write bit ( $R/\bar{W} = 0$ ). If the address byte is successfully received, the MAX11612–MAX11617 (slave) issues an acknowledge. The master then writes to the slave. The slave recognizes the received byte as the set-up byte (Table 1) if the most significant bit (MSB) is 1. If the MSB is 0, the slave recognizes that byte as the

configuration byte (Table 2). The master can write either one or two bytes to the slave in any order (setup byte, then configuration byte; configuration byte, then setup byte; setup byte or configuration byte only; Figure 9). If the slave receives a byte successfully, it issues an acknowledge. The master ends the write cycle by issuing a STOP condition or a repeated START condition. When operating in HS mode, a STOP condition returns the bus into F/S mode (see the *HS Mode* section).

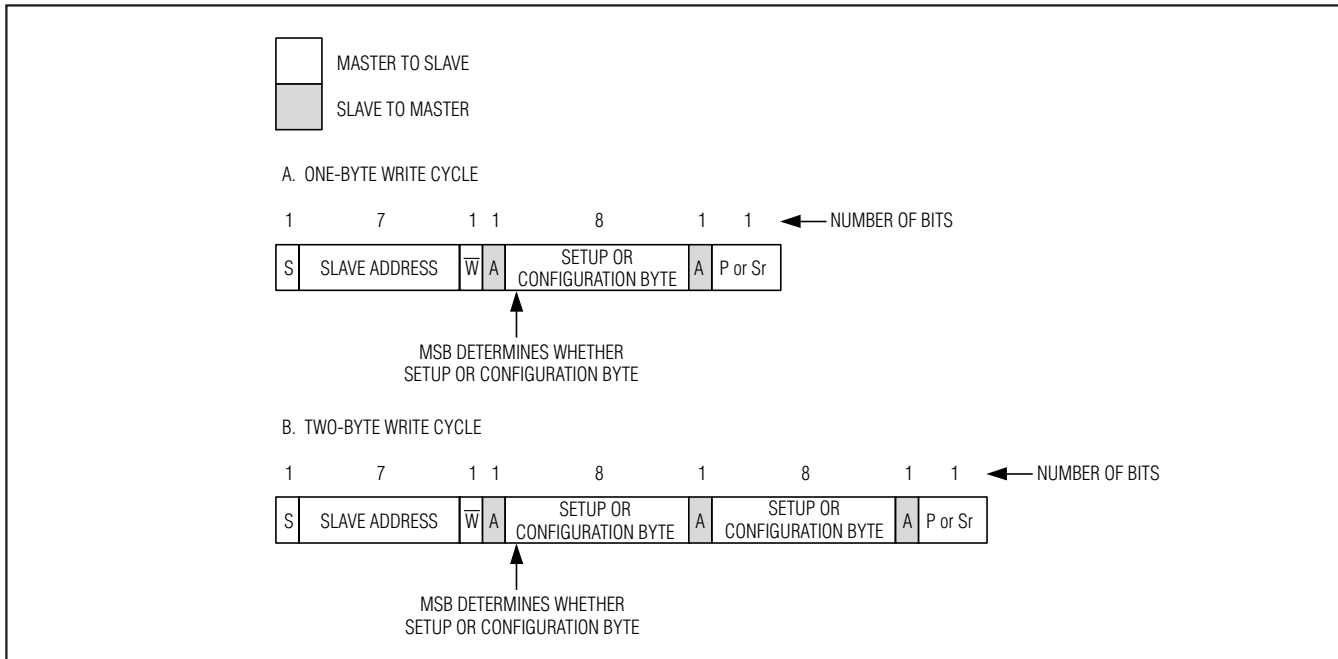


Figure 9. Write Cycle

Table 1. Setup Byte Format

| BIT 7 (MSB) | BIT 6            | BIT 5  | BIT 4 | BIT 3 | BIT 2            | BIT 1       | BIT 0 (LSB) |
|-------------|------------------|--|-------|-------|------------------|-------------|-------------|
| REG         | SEL2             | SEL1   | SEL0  | CLK   | BIP/ $\bar{UNI}$ | $\bar{RST}$ | X           |
| BIT         | NAME             | DESCRIPTION  |       |       |                  |             |             |
| 7           | REG              | Register bit. 1 = setup byte, 0 = configuration byte (Table 2).  |       |       |                  |             |             |
| 6           | SEL2             | Three bits select the reference voltage and the state of AIN <sub>1</sub> /REF (MAX11612/MAX11613/MAX11616/MAX11617) or REF (MAX11614/MAX11615) (Table 6). Default to 000 at power-up. |       |       |                  |             |             |
| 5           | SEL1             |  |       |       |                  |             |             |
| 4           | SEL0             |  |       |       |                  |             |             |
| 3           | CLK              | 1 = external clock, 0 = internal clock. Defaults to 0 at power-up.   |       |       |                  |             |             |
| 2           | BIP/ $\bar{UNI}$ | 1 = bipolar, 0 = unipolar. Defaults to 0 at power-up (see the <i>Unipolar/Bipolar</i> section).  |       |       |                  |             |             |
| 1           | $\bar{RST}$      | 1 = no action, 0 = resets the configuration register to default. Setup register remains unchanged.   |       |       |                  |             |             |
| 0           | X                | Don't-care bit. This bit can be set to 1 or 0.   |       |       |                  |             |             |

# Low-Power, 4-/8-/12-Channel, I<sup>2</sup>C, 12-Bit ADCs in Ultra-Small Packages

**Table 2. Configuration Byte Format**

| BIT 7 (MSB) | BIT 6   | BIT 5   | BIT 4 | BIT 3 | BIT 2 | BIT 1 | BIT 0 (LSB) |
|-------------|---------|---|-------|-------|-------|-------|-------------|
| REG         | SCAN1   | SCAN0   | CS3   | CS2   | CS1   | CS0   | SGL/DIF     |
| BIT         | NAME    | DESCRIPTION   |       |       |       |       |             |
| 7           | REG     | Register bit. 1 = setup byte (see Table 1), 0 = configuration byte.   |       |       |       |       |             |
| 6           | SCAN1   | Scan select bits. Two bits select the scanning configuration (Table 5). Default to 00 at power-up.  |       |       |       |       |             |
| 5           | SCAN0   |   |       |       |       |       |             |
| 4           | CS3     |   |       |       |       |       |             |
| 3           | CS2     |   |       |       |       |       |             |
| 2           | CS1     | Channel select bits. Four bits select which analog input channels are to be used for conversion (Tables 3 and 4). Default to 0000 at power-up. For the MAX11612/MAX11613, CS3 and CS2 are internally set to 0. For the MAX11614/MAX11615, CS3 is internally set to 0. |       |       |       |       |             |
| 1           | CS0     |   |       |       |       |       |             |
| 0           | SGL/DIF | 1 = single-ended, 0 = differential (Tables 3 and 4). Defaults to 1 at power-up. See the <i>Single-Ended/Differential Input</i> section.   |       |       |       |       |             |

**Table 3. Channel Selection in Single-Ended Mode (SGL/DIF = 1)**

| CS3 <sup>1</sup> | CS2 <sup>1</sup> | CS1 | CS0 | AIN0     | AIN1 | AIN2 | AIN3 <sup>2</sup> | AIN4 | AIN5 | AIN6 | AIN7 | AIN8 | AIN9 | AIN10 | AIN11 <sup>2</sup> | GND |
|------------------|------------------|-----|-----|----------|------|------|-------------------|------|------|------|------|------|------|-------|--------------------|-----|
| 0                | 0                | 0   | 0   | +        |      |      |                   |      |      |      |      |      |      |       |                    | -   |
| 0                | 0                | 0   | 1   |          | +    |      |                   |      |      |      |      |      |      |       |                    | -   |
| 0                | 0                | 1   | 0   |          |      | +    |                   |      |      |      |      |      |      |       |                    | -   |
| 0                | 0                | 1   | 1   |          |      |      | +                 |      |      |      |      |      |      |       |                    | -   |
| 0                | 1                | 0   | 0   |          |      |      |                   | +    |      |      |      |      |      |       |                    | -   |
| 0                | 1                | 0   | 1   |          |      |      |                   |      | +    |      |      |      |      |       |                    | -   |
| 0                | 1                | 1   | 0   |          |      |      |                   |      |      | +    |      |      |      |       |                    | -   |
| 0                | 1                | 1   | 1   |          |      |      |                   |      |      |      | +    |      |      |       |                    | -   |
| 1                | 0                | 0   | 0   |          |      |      |                   |      |      |      |      | +    |      |       |                    | -   |
| 1                | 0                | 0   | 1   |          |      |      |                   |      |      |      |      |      | +    |       |                    | -   |
| 1                | 0                | 1   | 0   |          |      |      |                   |      |      |      |      |      |      | +     |                    | -   |
| 1                | 0                | 1   | 1   |          |      |      |                   |      |      |      |      |      |      |       | +                  | -   |
| 1                | 1                | 0   | 0   | RESERVED |      |      |                   |      |      |      |      |      |      |       |                    |     |
| 1                | 1                | 0   | 1   | RESERVED |      |      |                   |      |      |      |      |      |      |       |                    |     |
| 1                | 1                | 1   | 0   | RESERVED |      |      |                   |      |      |      |      |      |      |       |                    |     |
| 1                | 1                | 1   | 1   | RESERVED |      |      |                   |      |      |      |      |      |      |       |                    |     |

<sup>1</sup>For the MAX11612/MAX11613, CS3 and CS2 are internally set to 0. For the MAX11614/MAX11615, CS3 is internally set to 0.

<sup>2</sup>When SEL1 = 1, a single-ended read of AIN3/REF (MAX11612/MAX11613) or AIN11/REF (MAX11616/MAX11617) is ignored; scan stops at AIN2 or AIN10. This does not apply to the MAX11614/MAX11615 as each provides separate pins for AIN7 and REF.

# Low-Power, 4-/8-/12-Channel, I<sup>2</sup>C, 12-Bit ADCs in Ultra-Small Packages

MAX11612-MAX11617

**Table 4. Channel Selection in Differential Mode (SGL/DIF = 0)**

| CS3 <sup>1</sup> | CS2 <sup>1</sup> | CS1 | CS0 | AIN0     | AIN1 | AIN2 | AIN3 <sup>2</sup> | AIN4 | AIN5 | AIN6 | AIN7 | AIN8 | AIN9 | AIN10 | AIN11 <sup>2</sup> |
|------------------|------------------|-----|-----|----------|------|------|-------------------|------|------|------|------|------|------|-------|--------------------|
| 0                | 0                | 0   | 0   | +        | -    |      |                   |      |      |      |      |      |      |       |                    |
| 0                | 0                | 0   | 1   | -        | +    |      |                   |      |      |      |      |      |      |       |                    |
| 0                | 0                | 1   | 0   |          |      | +    | -                 |      |      |      |      |      |      |       |                    |
| 0                | 0                | 1   | 1   |          |      | -    | +                 |      |      |      |      |      |      |       |                    |
| 0                | 1                | 0   | 0   |          |      |      |                   | +    | -    |      |      |      |      |       |                    |
| 0                | 1                | 0   | 1   |          |      |      |                   | -    | +    |      |      |      |      |       |                    |
| 0                | 1                | 1   | 0   |          |      |      |                   |      |      | +    | -    |      |      |       |                    |
| 0                | 1                | 1   | 1   |          |      |      |                   |      |      | -    | +    |      |      |       |                    |
| 1                | 0                | 0   | 0   |          |      |      |                   |      |      |      |      | +    | -    |       |                    |
| 1                | 0                | 0   | 1   |          |      |      |                   |      |      |      |      | -    | +    |       |                    |
| 1                | 0                | 1   | 0   |          |      |      |                   |      |      |      |      |      |      | +     | -                  |
| 1                | 0                | 1   | 1   |          |      |      |                   |      |      |      |      |      |      | -     | +                  |
| 1                | 1                | 0   | 0   | RESERVED |      |      |                   |      |      |      |      |      |      |       |                    |
| 1                | 1                | 0   | 1   | RESERVED |      |      |                   |      |      |      |      |      |      |       |                    |
| 1                | 1                | 1   | 0   | RESERVED |      |      |                   |      |      |      |      |      |      |       |                    |
| 1                | 1                | 1   | 1   | RESERVED |      |      |                   |      |      |      |      |      |      |       |                    |

<sup>1</sup>For the MAX11612/MAX11613, CS3 and CS2 are internally set to 0. For the MAX11614/MAX11615, CS3 is internally set to 0.

<sup>2</sup>When SEL1 = 1, a differential read between AIN2 and AIN3/REF (MAX11612/MAX11613) or AIN10 and AIN11/REF (MAX11616/MAX11617) returns the difference between GND and AIN2 or AIN10, respectively. For example, a differential read of 1011 returns the negative difference between AIN10 and GND. This does not apply to the MAX11614/MAX11615 as each provides separate pins for AIN7 and REF. In differential scanning, the address increments by 2 until the limit set by CS3–CS1 has been reached.

### Data Byte (Read Cycle)

A read cycle must be initiated to obtain conversion results. Read cycles begin with the bus master issuing a START condition followed by seven address bits and a read bit (R/W = 1). If the address byte is successfully received, the MAX11612–MAX11617 (slave) issues an acknowledge. The master then reads from the slave. The result is transmitted in two bytes; first four bits of the first byte are high, then MSB through LSB are consecutively clocked out. After the master has received the byte(s), it can issue an acknowledge if it wants to continue reading or a not-acknowledge if it no longer wishes to read. If the MAX11612–MAX11617 receive a not-acknowledge, they release SDA, allowing the master to generate a STOP or a repeated START condition. See the *Clock Modes* and *Scan Mode* sections for detailed information on how data is obtained and converted.

### Clock Modes

The clock mode determines the conversion clock and the data acquisition and conversion time. The clock mode also affects the scan mode. The state of the setup byte's CLK bit determines the clock mode (Table 1). At power-up, the MAX11612–MAX11617 are defaulted to internal clock mode (CLK = 0).

### Internal Clock

When configured for internal clock mode (CLK = 0), the MAX11612–MAX11617 use their internal oscillator as the conversion clock. In internal clock mode, the MAX11612–MAX11617 begin tracking the analog input after a valid address on the eighth rising edge of the clock. On the falling edge of the ninth clock, the analog signal is acquired and the conversion begins. While converting the analog input signal, the MAX11612–MAX11617 holds SCL low (clock stretching). After the conversion completes, the results are stored in internal memory. If the scan mode is set for multiple conversions, they all happen in succession with each additional result stored in memory. The MAX11612/MAX11613 contain four 12-bit blocks of memory, the MAX11614/MAX11615 contain eight 12-bit blocks of memory, and the MAX11616/MAX11617 contain twelve 12-bit blocks of memory. Once all conversions are complete, the MAX11612–MAX11617 release SCL, allowing it to be pulled high. The master can now clock the results out of the memory in the same order the scan conversion has been done at a clock rate of up to 1.7MHz. SCL is stretched for a maximum of 8.3µs per channel (see Figure 10).

The device memory contains all of the conversion results when the MAX11612–MAX11617 release SCL.

# Low-Power, 4-/8-/12-Channel, I<sup>2</sup>C, 12-Bit ADCs in Ultra-Small Packages

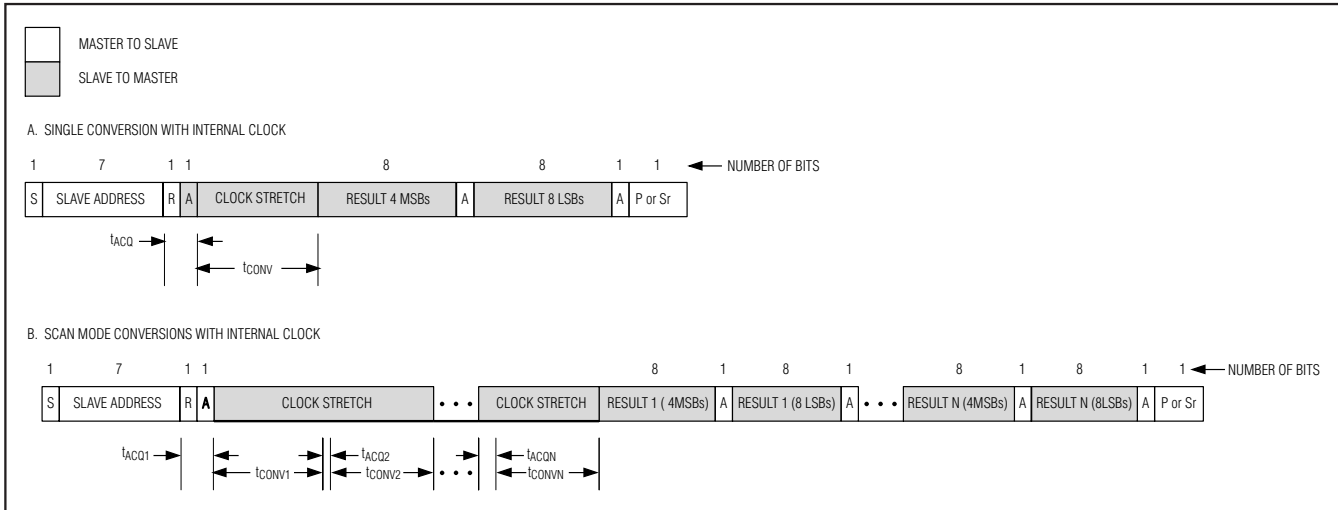


Figure 10. Internal Clock Mode Read Cycles

The converted results are read back in a first-in-first-out (FIFO) sequence. If AIN<sub>7</sub>/REF is set to be a reference input or output (SEL1 = 1, Table 6), AIN<sub>7</sub>/REF is excluded from a multichannel scan. This does not apply to the MAX11614/MAX11615 as each provides separate pins for AIN<sub>7</sub> and REF. The memory contents can be read continuously. If reading continues past the result stored in memory, the pointer wraps around and point to the first result. Note that only the current conversion results is read from memory. The device must be addressed with a read command to obtain new conversion results.

The internal clock mode's clock stretching quiets the SCL bus signal reducing the system noise during

conversion. Using the internal clock also frees the bus master (typically a microcontroller) from the burden of running the conversion clock, allowing it to perform other tasks that do not need to use the bus.

### External Clock

When configured for external clock mode (CLK = 1), the MAX11612-MAX11617 use the SCL as the conversion clock. In external clock mode, the MAX11612-MAX11617 begin tracking the analog input on the ninth rising clock edge of a valid slave address byte. Two SCL clock cycles later, the analog signal is acquired and the conversion begins. Unlike internal clock mode,

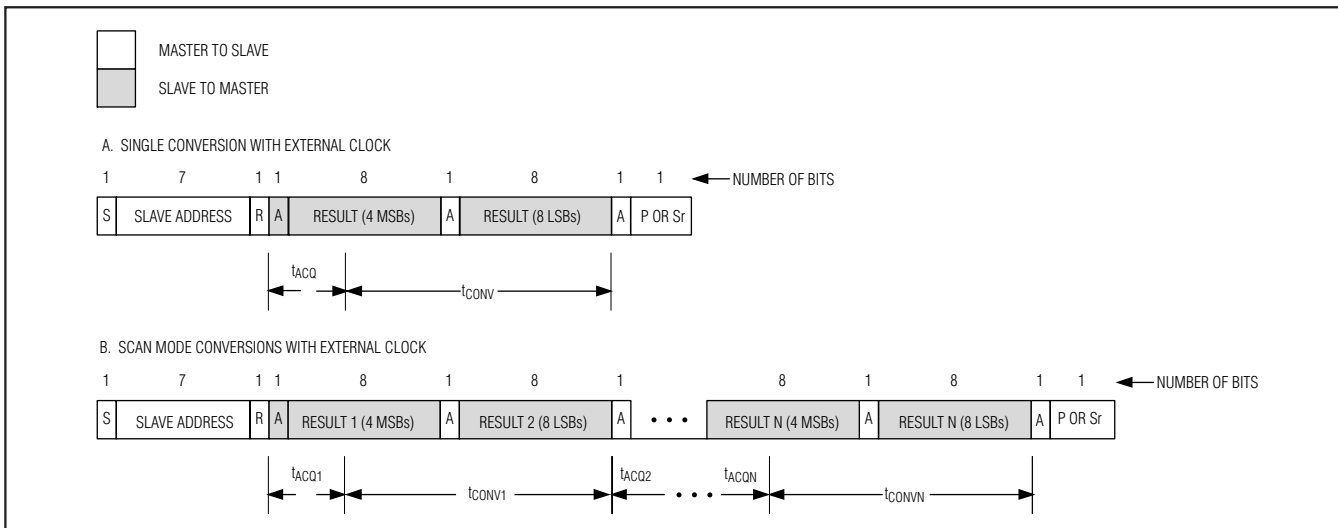


Figure 11. External Clock Mode Read Cycle



# Low-Power, 4-/8-/12-Channel, I<sup>2</sup>C, 12-Bit ADCs in Ultra-Small Packages

**Table 5. Scanning Configuration**

| SCAN1 | SCAN0 | SCANNING CONFIGURATION  |
|-------|-------|---|
| 0     | 0     | Scans up from AIN0 to the input selected by CS3–CS0. When CS3–CS0 exceeds 1011, the scanning stops at AIN11. When AIN_/REF is set to be a REF input/output, scanning stops at AIN2 or AIN10.  |
| 0     | 1     | *Converts the input selected by CS3–CS0 eight times (see Tables 3 and 4).   |
| 1     | 0     | <b>MAX11612/MAX11613: Scans upper half of channels.</b><br>Scans up from AIN2 to the input selected by CS1 and CS0. When CS1 and CS0 are set for AIN0, AIN1, and AIN2, the only scan that takes place is AIN2 (MAX11612/MAX11613). When AIN/REF is set to be a REF input/output, scanning stops at AIN2.  |
|       |       | <b>MAX11614/MAX11615: Scans upper quartile of channels.</b><br>Scans up from AIN6 to the input selected by CS3–CS0. When CS3–CS0 is set for AIN0–AIN6, the only scan that takes place is AIN6 (MAX11614/MAX11615).  |
|       |       | <b>MAX11616/MAX11617: Scans upper half of channels.</b><br>Scans up from AIN6 to the input selected by CS3–CS0. When CS3–CS0 is set for AIN0–AIN6, the only scan that takes place is AIN6 (MAX11616/MAX11617). When AIN/REF is set to be a REF input/output, scanning stops at selected channel or AIN10. |
| 1     | 1     | *Converts channel selected by CS3–CS0.  |

\*When operating in external clock mode, there is no difference between SCAN[1:0] = 01 and SCAN[1:0] = 11, and converting occurs perpetually until not-acknowledge occurs.

converted data is available immediately after the first four empty high bits. The device continuously converts input channels dictated by the scan mode until given a not acknowledge. There is no need to readdress the device with a read command to obtain new conversion results (see Figure 11).

The conversion must complete in 1ms, or droop on the track-and-hold capacitor degrades conversion results. Use internal clock mode if the SCL clock period exceeds 60μs.

The MAX11612–MAX11617 must operate in external clock mode for conversion rates from 40ksps to 94.4ksps. Below 40ksps, internal clock mode is recommended due to much smaller power consumption.

### Scan Mode

SCAN0 and SCAN1 of the configuration byte set the scan mode configuration. Table 5 shows the scanning configurations. If AIN\_/REF is set to be a reference input or output (SEL1 = 1, Table 6), AIN\_/REF is excluded from a multichannel scan. The scanned results are written to memory in the same order as the conversion. Read the results from memory in the order they were converted. Each result needs a 2-byte transmission; the first byte begins with four empty bits, during which SDA is left high. Each byte has to be acknowledged by the master or the memory transmission is terminated. It is not possible to read the memory independently of conversion.

## Applications Information

### Power-On Reset

The configuration and setup registers (Tables 1 and 2) default to a single-ended, unipolar, single-channel conversion on AIN0 using the internal clock with V<sub>DD</sub> as the reference and AIN\_/REF configured as an analog input. The memory contents are unknown after power-up.

### Automatic Shutdown

Automatic shutdown occurs between conversions when the MAX11612–MAX11617 are idle. All analog circuits participate in automatic shutdown except the internal reference due to its prohibitively long wake-up time. When operating in external clock mode, a STOP, not-acknowledge, or repeated START condition must be issued to place the devices in idle mode and benefit from automatic shutdown. A STOP condition is not necessary in internal clock mode to benefit from automatic shutdown because power-down occurs once all conversion results are written to memory (Figure 10). When using an external reference or V<sub>DD</sub> as a reference, all analog circuitry is inactive in shutdown and supply current is less than 0.5μA. The digital conversion results obtained in internal clock mode are maintained in memory during shutdown and are available for access through the serial interface at any time prior to a STOP or a repeated START condition.

# Low-Power, 4-/8-/12-Channel, I<sup>2</sup>C, 12-Bit ADCs in Ultra-Small Packages

Table 6. Reference Voltage, AIN\_/REF, and REF Format

| SEL2 | SEL1 | SEL0 | REFERENCE VOLTAGE  | AIN_/REF (MAX11612/<br>MAX11613/<br>MAX11616/<br>MAX11617) | REF (MAX11614/<br>MAX11615) | INTERNAL REFERENCE STATE |
|------|------|------|--------------------|--|-----------------------------|--------------------------|
| 0    | 0    | X    | V <sub>DD</sub>    | Analog input   | Not connected               | Always off               |
| 0    | 1    | X    | External reference | Reference input  | Reference input             | Always off               |
| 1    | 0    | 0    | Internal reference | Analog input   | Not connected               | Always off               |
| 1    | 0    | 1    | Internal reference | Analog input   | Not connected               | Always on                |
| 1    | 1    | 0    | Internal reference | Reference output   | Reference output            | Always off               |
| 1    | 1    | 1    | Internal reference | Reference output   | Reference output            | Always on                |

X = Don't care.

When idle, the MAX11612–MAX11617 continuously wait for a START condition followed by their slave address (see the *Slave Address* section). Upon reading a valid address byte, the MAX11612–MAX11617 power up. The internal reference requires 10ms to wake up, so when using the internal reference it should be powered up 10ms prior to conversion or powered continuously. Wake-up is invisible when using an external reference or V<sub>DD</sub> as the reference.

Automatic shutdown results in dramatic power savings, particularly at slow conversion rates and with internal clock. For example, at a conversion rate of 10ksps, the average supply current for the MAX11613 is 60μA (typ) and drops to 6μA (typ) at 1ksps. At 0.1ksps the average supply current is just 1μA, or a minuscule 3μW of power consumption. See Average Supply Current vs. Conversion Rate in the *Typical Operating Characteristics* section).

### Reference Voltage

SEL[2:0] of the setup byte (Table 1) control the reference and the AIN\_/REF configuration (Table 6). When AIN\_/REF is configured to be a reference input or reference output (SEL1 = 1), differential conversions on AIN\_/REF appear as if AIN\_/REF is connected to GND (see note 2 of Table 4). Single-ended conversion in scan mode AIN\_/REF is ignored by the internal limiter, which sets the highest available channel at AIN2 or AIN10.

### Internal Reference

The internal reference is 4.096V for the MAX11612/MAX11614/MAX11616 and 2.048V for the MAX11613/MAX11615/MAX11617. SEL1 of the setup byte controls whether AIN\_/REF is used for an analog input or a reference (Table 6). When AIN\_/REF is configured to be an internal reference output (SEL[2:1] = 11), decouple AIN\_/REF to GND with a 0.1μF capacitor and a 2kΩ series resistor (see the *Typical Operating Circuit*). Once

powered up, the reference always remains on until reconfigured. The internal reference requires 10ms to wake up and is accessed using SEL0 (Table 6). When in shutdown, the internal reference output is in a high-impedance state. The reference should not be used to supply current for external circuitry. The internal reference does not require an external bypass capacitor and works best when left unconnected (SEL1 = 0).

### External Reference

The external reference can range from 1V to V<sub>DD</sub>. For maximum conversion accuracy, the reference must be able to deliver up to 40μA and have an output impedance of 500kΩ or less. If the reference has a higher output impedance or is noisy, bypass it to GND as close to AIN\_/REF as possible with a 0.1μF capacitor.

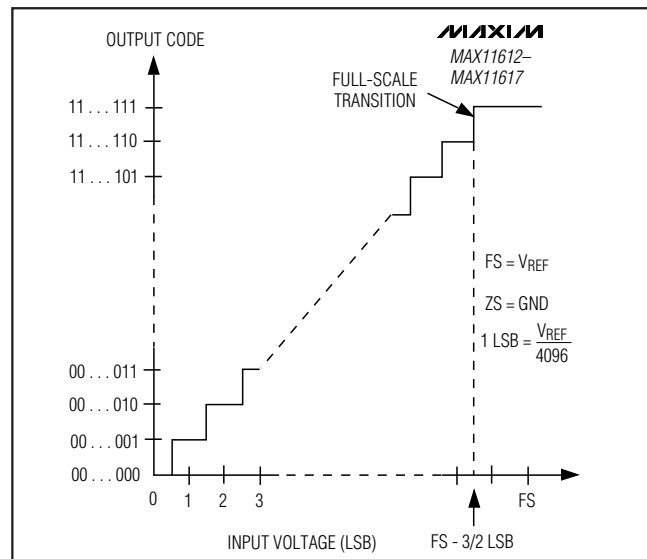


Figure 12. Unipolar Transfer Function

# Low-Power, 4-/8-/12-Channel, I<sup>2</sup>C,

MAX11612-MAX11617

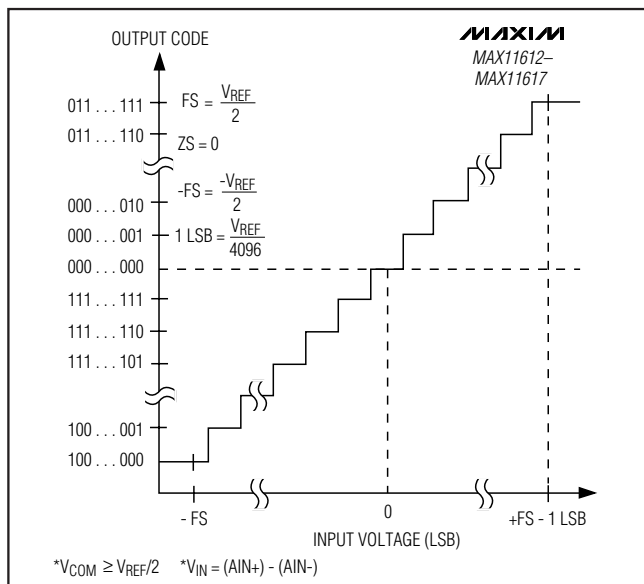


Figure 13. Bipolar Transfer Function

## Transfer Functions

Output data coding for the MAX11612–MAX11617 is binary in unipolar mode and two's complement in bipolar mode with 1 LSB = (V<sub>REF</sub>/2N) where N is the number of bits (12). Code transitions occur halfway between successive-integer LSB values. Figures 12 and 13 show the input/output (I/O) transfer functions for unipolar and bipolar operations, respectively.

## Layout, Grounding, and Bypassing

Only use PC boards. Wire-wrap configurations are not recommended since the layout should ensure proper separation of analog and digital traces. Do not run analog and digital lines parallel to each other, and do not layout digital signal paths underneath the ADC package. Use separate analog and digital PCB ground sections with only one star point (Figure 14) connecting the two ground systems (analog and digital). For lowest noise operation, ensure the ground return to the star ground's power supply is low impedance and as short as possible. Route digital signals far away from sensitive analog and reference inputs.

High-frequency noise in the power supply (V<sub>DD</sub>) could influence the proper operation of the ADC's fast comparator. Bypass V<sub>DD</sub> to the star ground with a network of two parallel capacitors, 0.1μF and 4.7μF, located as close as possible to the MAX11612–MAX11617 power-

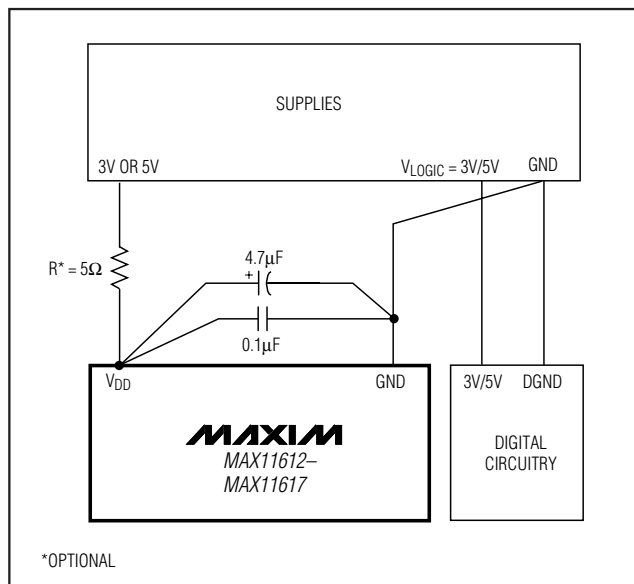


Figure 14. Power-Supply Grounding Connection

supply pin. Minimize capacitor lead length for best supply noise rejection, and add an attenuation resistor (5Ω) in series with the power supply if it is extremely noisy.

## Definitions

### Integral Nonlinearity

Integral nonlinearity (INL) is the deviation of the values on an actual transfer function from a straight line. This straight line can be either a best straight-line fit or a line drawn between the endpoints of the transfer function, once offset and gain errors have been nullified. The MAX11612–MAX11617's INL is measured using the endpoint.

### Differential Nonlinearity

Differential nonlinearity (DNL) is the difference between an actual step width and the ideal value of 1 LSB. A DNL error specification of less than 1 LSB guarantees no missing codes and a monotonic transfer function.

### Aperture Jitter

Aperture jitter (t<sub>AJ</sub>) is the sample-to-sample variation in the time between the samples.

### Aperture Delay

Aperture delay (t<sub>AD</sub>) is the time between the falling edge of the sampling clock and the instant when an actual sample is taken.

# Low-Power, 4-/8-/12-Channel, I<sup>2</sup>C, 12-Bit ADCs in Ultra-Small Packages

## Signal-to-Noise Ratio

For a waveform perfectly reconstructed from digital samples, the theoretical maximum SNR is the ratio of the full-scale analog input (RMS value) to the RMS quantization error (residual error). The ideal, theoretical minimum analog-to-digital noise is caused by quantization error only and results directly from the ADC's resolution (N Bits):

$$\text{SNR}_{\text{MAX}}[\text{dB}] = 6.02\text{dB} \times N + 1.76\text{dB}$$

In reality, there are other noise sources besides quantization noise: thermal noise, reference noise, clock jitter, etc. SNR is computed by taking the ratio of the RMS signal to the RMS noise, which includes all spectral components minus the fundamental, the first five harmonics, and the DC offset.

## Signal-to-Noise Plus Distortion

Signal-to-noise plus distortion (SINAD) is the ratio of the fundamental input frequency's RMS amplitude to the RMS equivalent of all other ADC output signals.

$$\text{SINAD}(\text{dB}) = 20 \times \log \left[ \frac{\text{SignalRMS}}{\text{NoiseRMS} + \text{THDRMS}} \right]$$

## Effective Number of Bits

Effective number of bits (ENOB) indicates the global accuracy of an ADC at a specific input frequency and sampling rate. An ideal ADC's error consists of quantization noise only. With an input range equal to the ADC's full-scale range, calculate the ENOB as follows:

$$\text{ENOB} = (\text{SINAD} - 1.76)/6.02$$

## Total Harmonic Distortion

Total harmonic distortion (THD) is the ratio of the RMS sum of the input signal's first five harmonics to the fundamental itself. This is expressed as:

$$\text{THD} = 20 \times \log \left( \sqrt{\frac{V_2^2 + V_3^2 + V_4^2 + V_5^2}{V_1^2}} \right)$$

where  $V_1$  is the fundamental amplitude, and  $V_2$  through  $V_5$  are the amplitudes of the 2nd- through 5th-order harmonics.

## Spurious-Free Dynamic Range

Spurious-free dynamic range (SFDR) is the ratio of the RMS amplitude of the fundamental (maximum signal component) to the RMS value of the next largest distortion component.

## Chip Information

PROCESS: BICMOS

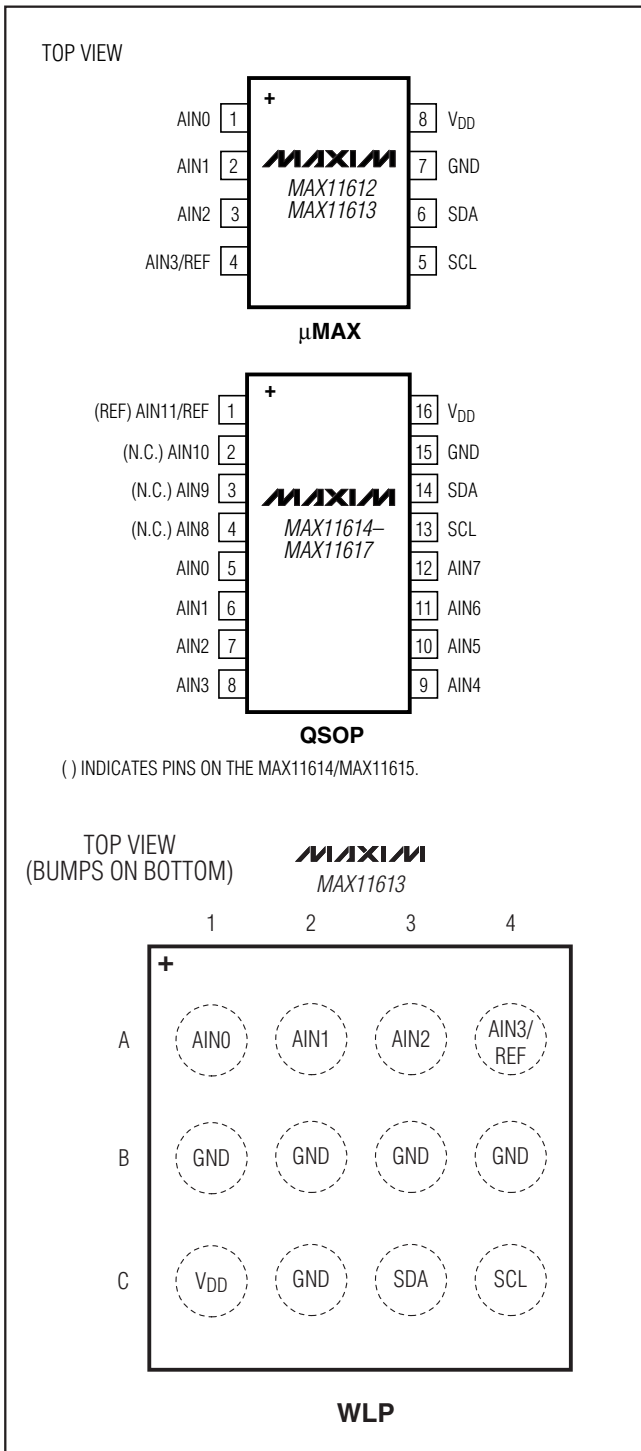
## Selector Guide

| PART     | INPUT CHANNELS | INTERNAL REFERENCE (V) | SUPPLY VOLTAGE (V) | INL (LSB) |
|----------|----------------|------------------------|--------------------|-----------|
| MAX11612 | 4              | 4.096                  | 4.5 to 5.5         | ±1        |
| MAX11613 | 4              | 2.048                  | 2.7 to 3.6         | ±1        |
| MAX11614 | 8              | 4.096                  | 4.5 to 5.5         | ±1        |
| MAX11615 | 8              | 2.048                  | 2.7 to 3.6         | ±1        |
| MAX11616 | 12             | 4.096                  | 4.5 to 5.5         | ±1        |
| MAX11617 | 12             | 2.048                  | 2.7 to 3.6         | ±1        |

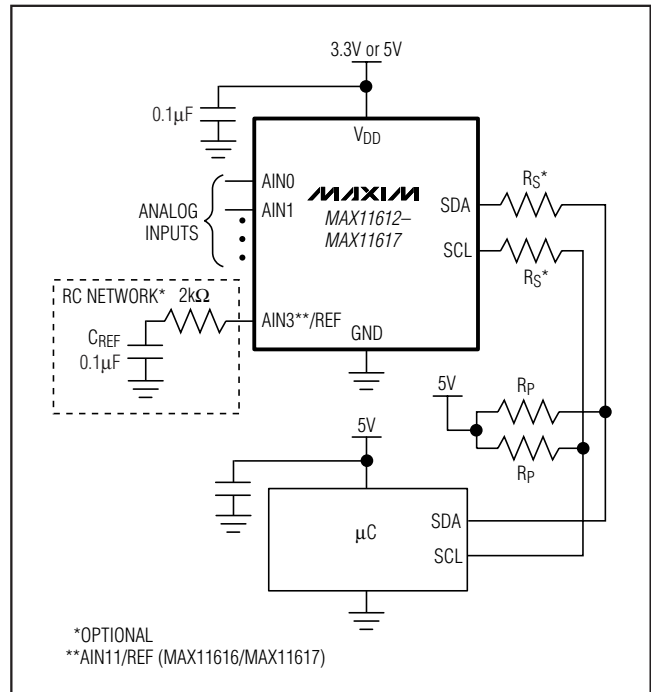
# Low-Power, 4-/8-/12-Channel, I<sup>2</sup>C, 12-Bit ADCs in Ultra-Small Packages

MAX11612-MAX11617

## Pin Configurations



## Typical Operating Circuit



## Package Information

For the latest package outline information and land patterns (footprints), go to [www.maxim-ic.com/packages](http://www.maxim-ic.com/packages). Note that a "+", "#", or "-" in the package code indicates RoHS status only. Package drawings may show a different suffix character, but the drawing pertains to the package regardless of RoHS status.

| PACKAGE TYPE | PACKAGE CODE | OUTLINE NO.             | LAND PATTERN NO.                               |
|--------------|--------------|-------------------------|--|
| 8 μMAX       | U8CN+1       | <a href="#">21-0036</a> | <a href="#">90-0092</a>                        |
| 12 WLP       | W121C2+1     | <a href="#">21-0009</a> | Refer to <a href="#">Application Note 1891</a> |
| 16 QSOP      | E16+1        | <a href="#">21-0055</a> | <a href="#">90-0167</a>                        |

# Low-Power, 4-/8-/12-Channel, I<sup>2</sup>C, 12-Bit ADCs in Ultra-Small Packages

## Revision History

| REVISION NUMBER | REVISION DATE | DESCRIPTION  | PAGES CHANGED |
|-----------------|---------------|--|---------------|
| 0               | 4/09          | Introduction of the MAX11612/MAX11613  | —             |
| 1               | 7/09          | Introduction of the MAX11614-MAX11617  | 1             |
| 2               | 3/10          | Changed <i>Absolute Maximum Ratings</i> and timing diagram   | 2, 12         |
| 3               | 2/11          | Added WLP to <i>Ordering Information, Absolute Maximum Ratings, Electrical Characteristics, Pin Description, and Package Information</i> | 1-5, 8, 21    |

Maxim cannot assume responsibility for use of any circuitry other than circuitry entirely embodied in a Maxim product. No circuit patent licenses are implied. Maxim reserves the right to change the circuitry and specifications without notice at any time.

22 **Maxim Integrated Products, 120 San Gabriel Drive, Sunnyvale, CA 94086 408-737-7600**