

**PLEASE CHECK WWW.MOLEX.COM FOR LATEST PART INFORMATION**

**Part Number:** [0483077022](#)  
**Status:** **Active**  
**Overview:** high definition multimedia interface hdmi  
**Description:** 0.50mm (.020") Pitch HDMI\* Receptacle, Vertical, SMT, with support, 0.38µm (15µ") Gold (Au) Plating, Pick-and-Place Cover, 19 Circuits, Tape on Reel Packaging, Lead free

**Documents:**

[3D Model](#) [Product Specification PS-48307-901 \(PDF\)](#)  
[Drawing \(PDF\)](#) [RoHS Certificate of Compliance \(PDF\)](#)

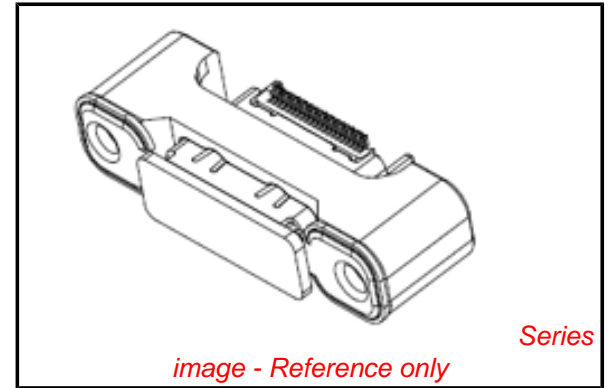
**General**

Product Family	I/O Connectors
Series	<a href="#">48307</a>
Application	Wire-to-Board
Comments	With Support
Component Type	Receptacle
Overview	<a href="#">high definition multimedia interface hdmi</a>
Product Name	HDMI
Type	N/A

**Physical**

Boot Color	N/A
Circuits (Loaded)	19
Circuits (maximum)	19
Color - Resin	Black
Gender	Male
Keying to Mating Part	Yes
Lock to Mating Part	Yes
Material - Metal	Copper Alloy
Material - Plating Mating	Gold
Material - Plating Termination	Tin
Material - Resin	High Temperature Thermoplastic
Number of Rows	2
Orientation	Vertical
PCB Locator	Yes
PCB Retention	Yes
Packaging Type	Embossed Tape on Reel
Panel Mount	With Flange
Pitch - Mating Interface (in)	0.020 In
Pitch - Mating Interface (mm)	0.50 mm
Pitch - Term. Interface (in)	0.020 In
Pitch - Term. Interface (mm)	0.50 mm
Plating min: Mating (µin)	15
Plating min: Mating (µm)	0.38
Plating min: Termination (µin)	39
Plating min: Termination (µm)	1
Polarized to Mating Part	Yes
Polarized to PCB	Yes
Ports	1
Temperature Range - Operating	-20°C to +85°C
Termination Interface: Style	Surface Mount
Waterproof / Dustproof	No
Wire Size AWG	N/A

**Electrical**



**EU RoHS**

**ELV and RoHS Compliant**  
**REACH SVHC**  
 Not Reviewed  
**Halogen-Free Status**  
 Not Reviewed

**China RoHS**



**Need more information on product environmental compliance?**

Email [productcompliance@molex.com](mailto:productcompliance@molex.com)  
 For a multiple part number RoHS Certificate of Compliance, [click here](#)

Please visit the [Contact Us](#) section for any non-product compliance questions.

**Search Parts in this Series**  
[48307Series](#)

Current - Maximum per Contact	0.5A
Voltage - Maximum	40V AC

### **Solder Process Data**

Duration at Max. Process Temperature (seconds)	3
Lead-free Process Capability	Reflow Capable (SMT only)
Max. Cycles at Max. Process Temperature	1
Process Temperature max. C	260

### **Material Info**

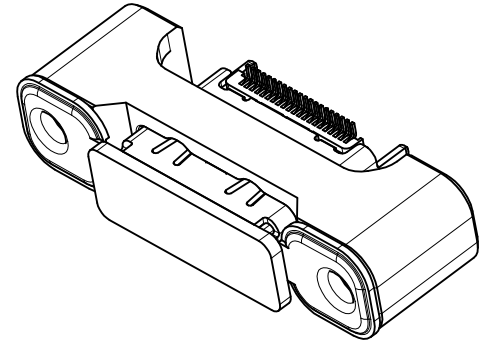
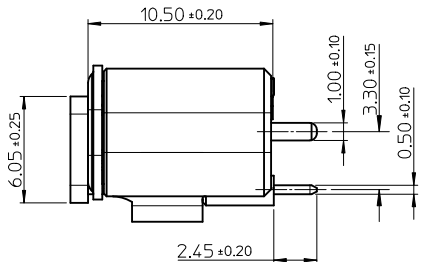
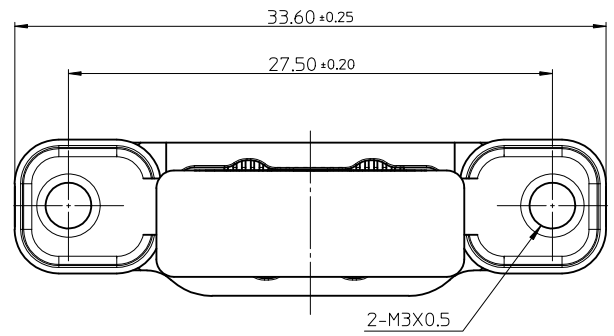
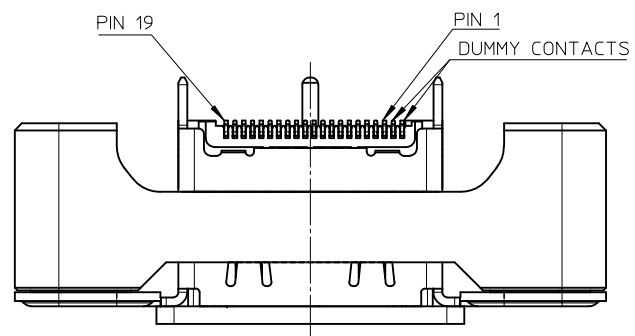
### **Reference - Drawing Numbers**

Packaging Specification	PK-48307-722
Product Specification	PS-48307-901
Sales Drawing	SD-48307-722

\* High Definition Multimedia Interface and HDMI are trademarks of HDMI Licensing, LLC.

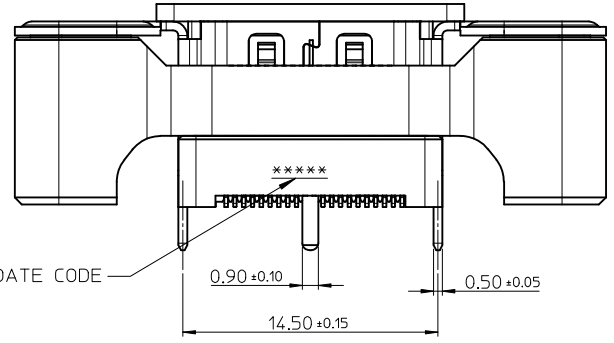
This document was generated on 05/28/2010

**PLEASE CHECK [WWW.MOLEX.COM](http://WWW.MOLEX.COM) FOR LATEST PART INFORMATION**



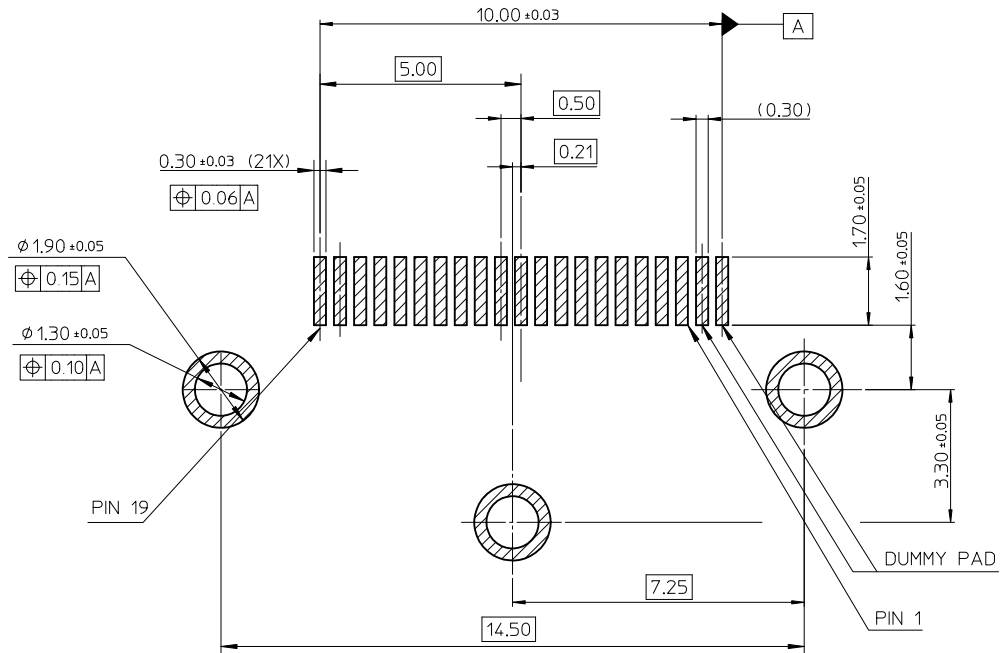
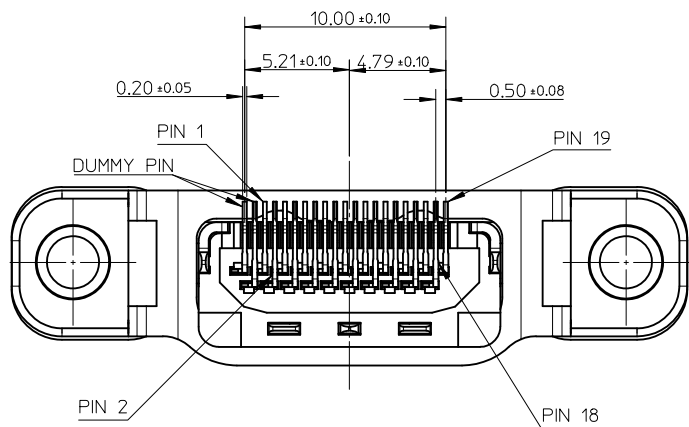
NOTES:

1. MATERIAL:  
HOUSING: GLASS FILLED HEAT RESISTED RESIN, UL94V-0.  
TERMINAL: COPPER ALLOY.  
SHELL: COPPER ALLOY.
2. PLATING:  
TERMINAL:  
CONTACT AREA:  
(a)GOLD FLASH PLATING,  
(b)0.38 MICROMETER MIN.GOLD PLATING,  
(c)0.76 MICROMETER MIN.GOLD PLATING,  
SOLDER AREA: 1 MICROMETER MIN. MATTE TIN PLATING,  
UNDERPLATE: 1 MICROMETER MIN. NICKEL PLATING OVERALL.  
SHELL:  
SOLDER AREA: 1 MICROMETER MIN. MATTE TIN PLATING,  
UNDERPLATE: 1 MICROMETER MIN. NICKEL PLATING OVERALL.
3. PRODUCT SPECIFICATION REFER TO PS-48307-901.
4. PACKAGE REFER TO PK-48307-722.
5. COPLANARITY OF SOLDER TAIL TO BE 0.1 MAX..
6. THE PART CAN COMPLIANT TO ROHS DIRECTIVE 2002/95/EC AND ELV DIRECTIVE 2000/53/EC.



3	48307-7032	(c)
2	48307-7022	(b)
1	48307-7012	(a)
ITEM NO	PART NO	PLATING SOLUTION

REVISED IEC NO: SH2010-0272 DRW:KWEI CHK:DZHANG APPR:XJ.SONG	2010/01/19 2010/01/20 2010/01/25	QUALITY SYMBOLS ▽=0 ◻=0	GENERAL TOLERANCES (UNLESS SPECIFIED)		DIMENSION STYLE MM ONLY	SCALE 3.5:1	DESIGN UNITS METRIC	THIRD ANGLE PROJECTION	
	4 PLACES ± --- ± --- 3 PLACES ± --- ± --- 2 PLACES ± --- ± --- 1 PLACE ± --- ± ---		DRAWN BY KLAUS WEI	DATE 2008/10/23	TITLE SALES DRAWING VERTICAL HDMI RECEPT. WITH SUPPORT				
	ANGULAR ± --- °		CHECKED BY ROST ZHANG	DATE 2008/10/23	MOLEX INCORPORATED				
	DRAFT WHERE APPLICABLE MUST REMAIN WITHIN DIMENSIONS		APPROVED BY HARVEY WANG	DATE 2008/10/23	MATERIAL NO. 48307-70*2	DOCUMENT NO. SD-48307-722	SHEET NO. 1 OF 2		



RECOMMENDED PCB LAYOUT  
(PCB THICKNESS IS 1.6mm)

REVISED EC NO: SH2010-0272 DRW: KWWEI CHK: DRZHANG APPR: XJSONG	2010/01/19 2010/01/20 2010/01/25	DESCRIPTION REV	QUALITY SYMBOLS ▽=0 ▽=0	GENERAL TOLERANCES (UNLESS SPECIFIED) <table border="1"> <thead> <tr> <th></th> <th>mm</th> <th>INCH</th> </tr> </thead> <tbody> <tr> <td>4 PLACES</td> <td>± ---</td> <td>± ---</td> </tr> <tr> <td>3 PLACES</td> <td>± ---</td> <td>± ---</td> </tr> <tr> <td>2 PLACES</td> <td>± ---</td> <td>± ---</td> </tr> <tr> <td>1 PLACE</td> <td>± ---</td> <td>± ---</td> </tr> <tr> <td colspan="3">ANGULAR ± --- °</td> </tr> </tbody> </table>		mm	INCH	4 PLACES	± ---	± ---	3 PLACES	± ---	± ---	2 PLACES	± ---	± ---	1 PLACE	± ---	± ---	ANGULAR ± --- °			DIMENSION STYLE MM ONLY	SCALE 4:1	DESIGN UNITS METRIC	THIRD ANGLE PROJECTION
		mm	INCH																							
	4 PLACES	± ---	± ---																							
	3 PLACES	± ---	± ---																							
2 PLACES	± ---	± ---																								
1 PLACE	± ---	± ---																								
ANGULAR ± --- °																										
DRAFT WHERE APPLICABLE MUST REMAIN WITHIN DIMENSIONS				DRAWN BY KLAUS WEI	DATE 2008/10/23	TITLE SALES DRAWING VERTICAL HDMI RECEPT. WITH SUPPORT MOLEX INCORPORATED																				
				CHECKED BY ROST ZHANG	DATE 2008/10/23																					
SEE SHEET 1				APPROVED BY HARVEY WANG	DATE 2008/10/23	DOCUMENT NO. SD-48307-722																				
				MATERIAL NO.	SHEET NO. 2 OF 2																					
THIS DRAWING CONTAINS INFORMATION THAT IS PROPRIETARY TO MOLEX INCORPORATED AND SHOULD NOT BE USED WITHOUT WRITTEN PERMISSION				SIZE A3	THIS DRAWING CONTAINS INFORMATION THAT IS PROPRIETARY TO MOLEX INCORPORATED AND SHOULD NOT BE USED WITHOUT WRITTEN PERMISSION																					
				SIZE A3																						