

**PLEASE CHECK WWW.MOLEX.COM FOR LATEST PART INFORMATION**

**Part Number:** [0352040295](#)  
**Status:** **Active**  
**Description:** 7.80mm (.197") Pitch, 2.36mm (.093") Diameter Wire-to-Board Header, Vertical, with Positive Latch, 2 Circuits, Lead-free, Green

**Documents:**

[Drawing \(PDF\)](#) [RoHS Certificate of Compliance \(PDF\)](#)

**Agency Certification**

CSA LR19980  
 UL E29179

**General**

Product Family PCB Headers  
 Series [35204](#)  
 Application Wire-to-Board  
 Product Name N/A

**Physical**

Breakaway No  
 Circuits (Loaded) 2  
 Circuits (maximum) 2  
 Durability (mating cycles max) 30  
 First Mate / Last Break No  
 Flammability 94V-0  
 Glow-Wire Compliant No  
 Guide to Mating Part No  
 Keying to Mating Part None  
 Lock to Mating Part Yes  
 Material - Plating Mating Tin  
 Material - Plating Termination Tin  
 Number of Rows 1  
 Orientation Vertical  
 PC Tail Length (in) 0.154 In  
 PC Tail Length (mm) 3.90 mm  
 PCB Locator No  
 PCB Retention Yes  
 PCB Thickness Recommended (in) 0.062 In  
 PCB Thickness Recommended (mm) 1.60 mm  
 Packaging Type Tube  
 Pitch - Mating Interface (in) 0.307 In  
 Pitch - Mating Interface (mm) 7.80 mm  
 Polarized to Mating Part Yes  
 Polarized to PCB No  
 Shrouded Partial  
 Stackable No  
 Surface Mount Compatible (SMC) No  
 Temperature Range - Operating -40°C to +105°C  
 Termination Interface: Style Through Hole

**Electrical**

Current - Maximum per Contact 7A  
 Voltage - Maximum 300V

**Material Info**

**Reference - Drawing Numbers**

**EU RoHS**

**ELV and RoHS Compliant**

**REACH SVHC**

Not Reviewed

**Halogen-Free**

**Status**

**Not Reviewed**

**China RoHS**



**Need more information on product environmental compliance?**

Email [productcompliance@molex.com](mailto:productcompliance@molex.com)  
 For a multiple part number RoHS Certificate of Compliance, [click here](#)

Please visit the [Contact Us](#) section for any non-product compliance questions.

**Search Parts in this Series**

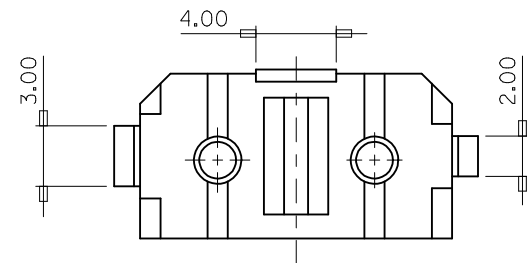
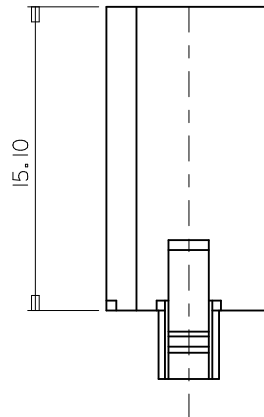
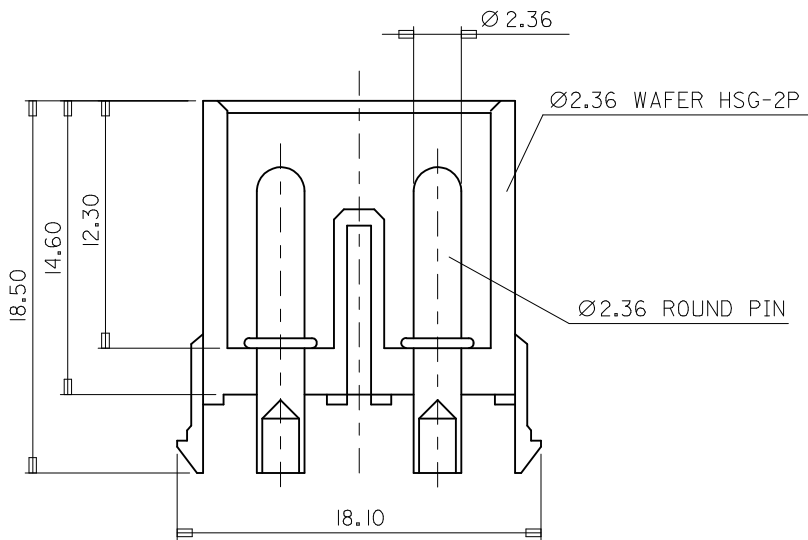
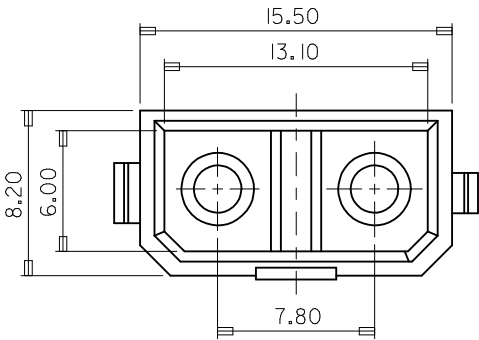
[35204Series](#)

**Mates With**

[35108 Wire-to-Board Housing](#)

This document was generated on 05/28/2010

**PLEASE CHECK [WWW.MOLEX.COM](http://WWW.MOLEX.COM) FOR LATEST PART INFORMATION**



NOTES.

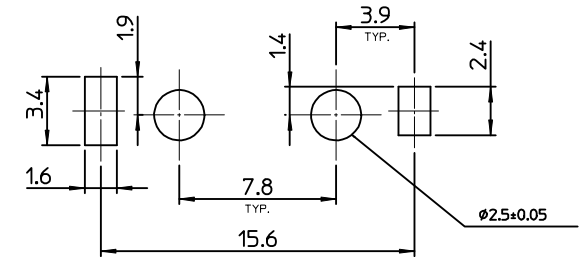
1. MATERIAL & COLOR : SEE TABLE

TABLE	ENG. NO.	COLOR
	35204-02*2	RED
	35204-02*3	YELLOW
	35204-02*4	BLUE
	35204-02*5	GREEN
	35204-02*6	WHITE

\* 4 : PA66 9 : PC/PET

2. MATES HOUSING : 35108-02\*\*

3. MATES PIN : 35601-1561



<b>REVISED</b>	EC NO: KOR2009-0124
	DRWN: JHPARK01 2009/02/25
	CHKD: WYANG 2009/02/25
	APPR: YUNSIKKIM 2009/02/26
<b>B</b>	REV

QUALITY SYMBOLS	DESCRIPTION
▽=0	
▽=0	

GENERAL TOLERANCES (UNLESS SPECIFIED)	
	mm INCH
4 PLACES	± --- ± ---
3 PLACES	± --- ± ---
2 PLACES	± 0.30 ± ---
1 PLACE	± 0.30 ± ---
ANGULAR ± 3 °	
DRAFT WHERE APPLICABLE MUST REMAIN WITHIN DIMENSIONS	

DIMENSION STYLE	MM ONLY
DRAWN BY	WY. YANG
DATE	1996/01/12
CHECKED BY	BK. CHOI
DATE	1996/01/12
APPROVED BY	CW. LEE
DATE	1996/01/12
MATERIAL NO.	
DOCUMENT NO.	SD-35204-002
SIZE	A3

SCALE	4:1
DESIGN UNITS	METRIC
THIRD ANGLE PROJECTION	
2.36 DIA WAFER-2P	
MOLEX INCORPORATED	
SEE NOTES	
THIS DRAWING CONTAINS INFORMATION THAT IS PROPRIETARY TO MOLEX INCORPORATED AND SHOULD NOT BE USED WITHOUT WRITTEN PERMISSION	
SHEET NO.	1 OF 01