

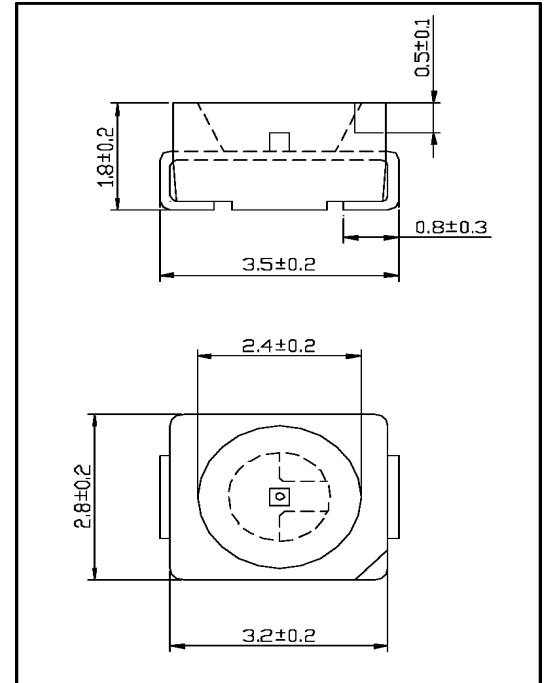
LM1-TRO1-01

Features

Industry Standard 1210 PLCC Package (3.2 x 2.8mm)
 High Operating Temperature Range: $-40^{\circ} \sim +100^{\circ} \text{C}$
 High luminosity with low power consumption
 120° Viewing Angle
 Wave and Re-flow Solderable

Applications

Indicators
 Illuminators
 LCD Backlights
 Automobile Applications



Maximum Ratings ($T_a=25^{\circ}\text{C}$)

Characteristic	Symbol	Max.	Unit
Forward Current	I_F	50	mA
Reverse Voltage	V_R	5	V
Power Dissipation	P_D	130.00	mW
Operating Temperature	T_{opr}	$-40 \sim +100$	$^{\circ}\text{C}$
Storage Temperature	T_{stg}	$-40 \sim +100$	$^{\circ}\text{C}$
Soldering Temperature	T_{sol}	260	$^{\circ}\text{C}$
Soldering Time	-	for 3 sec. max	-

Opto-Electrical Characteristics ($T_a=25^{\circ}\text{C}$)

Characteristic	Symbol	Test Condition	Min	Typ	Max	Unit
Forward Voltage	V_F	$I_F=20\text{mA}$	--	2.10	2.60	V
Reverse Current	I_R	$V_R=5\text{V}$	-	-	10	μA
Luminous Intensity	I_v	$I_F=20\text{mA}$	280.00	450.00	-	mcd
Viewing Angle	$2\theta^{1/2}$	-	-	120°	-	deg.
Peak Wavelength	λ_p	$I_F=20\text{mA}$	-	625	-	nm
Dominant Wavelength	λ_d	$I_F=20\text{mA}$	-	618	-	nm
Spectral Line Half Width	$\Delta\lambda$	$I_F=20\text{mA}$	-	23	-	nm

Company Headquarters
 120 Broadway
 Menands, New York 12204
 Toll Free: 800.984.5337
 Fax: 518.432.7454



Web: www.marktechopto.com | Email: info@marktechopto.com

West Coast Sales Office
 950 South Coast Drive, Suite 265
 Costa Mesa, California 92626
 Toll Free: 800.984.5337
 Fax: 714.850.9314

LM1-TRO1-01 Graphs

