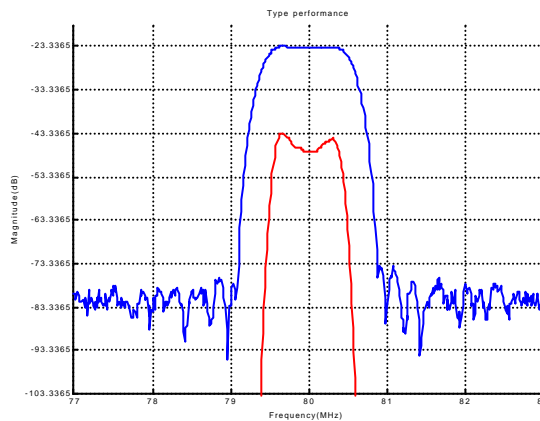




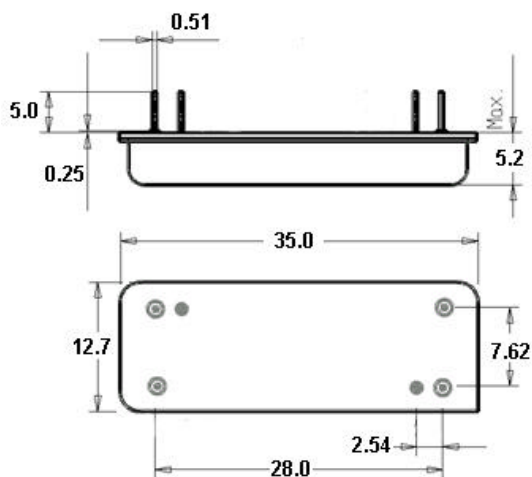
LBS08019 SAW Filter Electrical Characteristic

<i>Specifications</i>				
Parameter	Unit	Minimum	Typical	Maximum
Center Frequency	MHz	79.95	80	80.05
Insertion Loss	dB		23.04	25
2 dB Bandwidth	MHz	0.8	1.01	
20 dB Bandwidth	MHz		1.51	1.6
30 dB Bandwidth	MHz		1.63	2.0
40 dB Bandwidth	MHz		1.72	2.8
Passband variation	dB		0.3	1.0
Absolute Delay	usec		3.88	4.5
Ultimate Rejection($f_0 \pm 1.5\text{MHz}$)	dB	50	55	
Substrate Material		Quartz		
Ambient Temperature	°C	25		
Package Size		DIP3512 (35.0x12.7x5.2mm ³)		

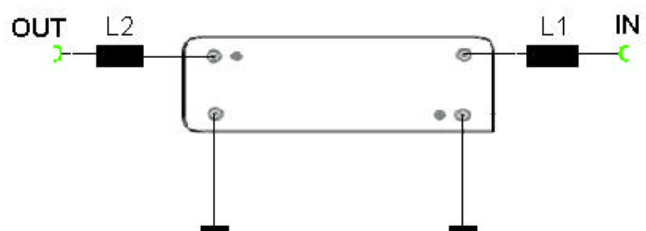
Typical Performance



Package Outline



Matching Configuration



$$L1=L2=100\text{nH}$$

Source/Load Impedance = 50 ohm