




Product Specification

AU OPTRONICS CORPORATION

() Preliminary Specifications

(V) Final Specifications

Module	” WSVGA Color TFT-LCD with LED Backlight design
Model Name	B089AW01 V3
Note ()	LED Backlight with driving circuit design

Customer	Date
Checked & Approved by	Date
_____	_____
Note: This Specification is subject to change without notice.	

Approved by	Date
_____	_____
Howard Lee	11/05/2008
Prepared by	
_____	_____
Wisdom Che	11/05/2008
NBBU Marketing Division / AU Optronics corporation	

Contents



Product Specification

AU OPTRONICS CORPORATION

1. Handling Precautions.....	4
2. General Description	5
2.1 General Specification.....	5
2.2 Optical Characteristics	6
3. Functional Block Diagram	11
4. Absolute Maximum Ratings.....	11
5. Electrical characteristics	13
5.1 TFT LCD Module.....	13
5.2 Backlight Unit	15
6. Signal Characteristic	16
6.1 Pixel Format Image.....	16
6.2 The input data format.....	17
6.3 Signal Description/Pin Assignment	18
6.4 Interface Timing.....	21
6.5 Power Sequence.....	23
6.5.1 Panel Power Sequence	23
7. Connector Description	24
7.1 TFT LCD Module.....	24
8. LED Driving Specification	25
8.1 Connector Description.....	25
8.2 Pin Assignment.....	25
9. Vibration and Shock Test	26
9.1 Vibration Test	26
9.2 Shock Test Spec:	26
11. Mechanical Characteristics.....	28
11.1 LCM Outline Dimension	28
11.2 Screw Hole Depth and Center Position	29
12. Shipping and Package.....	30
12.1 Shipping Label Format.....	30
12.2 Carton package.....	31
12.3 Shipping package of palletizing sequence	31
13. Appendix: EDID description	32



Product Specification

AU OPTRONICS CORPORATION

Record of Revision

Version and Date	Page	Old description	New Description	Remark
0.1 2008/08/06	All	First Edition for Customer		
1.0 2008/10/29	5		Add glass thickness data	
1.0 2008/10/29	6	Response time [Rising , Falling] TBD	Rising 6ms typ, Falling 2ms typ	



Product Specification

AU OPTRONICS CORPORATION

1. Handling Precautions

- 1) Since front polarizer is easily damaged, pay attention not to scratch it.
- 2) Be sure to turn off power supply when inserting or disconnecting from input connector.
- 3) Wipe off water drop immediately. Long contact with water may cause discoloration or spots.
- 4) When the panel surface is soiled, wipe it with absorbent cotton or other soft cloth.
- 5) Since the panel is made of glass, it may break or crack if dropped or bumped on hard surface.
- 6) Since CMOS LSI is used in this module, take care of static electricity and insure human earth when handling.
- 7) Do not open nor modify the Module Assembly.
- 8) Do not press the reflector sheet at the back of the module to any directions.
- 9) At the insertion or removal of the Signal Interface Connector, be sure not to rotate nor tilt the Interface Connector of the TFT Module.
- 11) After installation of the TFT Module into an enclosure (Notebook PC Bezel, for example), do not twist nor bend the TFT Module even momentary. At designing the enclosure, it should be taken into consideration that no bending/twisting forces are applied to the TFT Module from outside. Otherwise the TFT Module may be damaged.
- 12) Small amount of materials having no flammability grade is used in the LCD module. The LCD module should be supplied by power complied with requirements of Limited Power Source (IEC60950 or UL1950), or be applied exemption.
- 13) Disconnecting power supply before handling LCD modules, it can prevent electric shock, DO NOT TOUCH the electrode parts, cables, connectors and LED circuit part of TFT module that a LED light bar build in as a light source of back light unit. **It can prevent electrostatic breakdown.**





Product Specification

AU OPTRONICS CORPORATION


2. General Description

B089AW01 V3 is a Color Active Matrix Liquid Crystal Display composed of a TFT LCD panel, a driver circuit, and LED backlight system. The screen format is intended to support the WSVGA (1024(H) x 600(V)) screen and 262k colors (RGB 6-bits data driver) with LED backlight driving circuit. All input signals are LVDS interface compatible.

B089AW01 V3 is designed for a display unit of notebook style personal computer and industrial machine.

2.1 General Specification

The following items are characteristics summary on the table at 25

 condition:

Items	Unit	Specifications		
Screen Diagonal	[mm]	226.06(W")		
Active Area	[mm]	195.07(H) X 113.4(V)		
Pixels H x V		1024x3(RGB) x 600		
Pixel Pitch	[mm]	0.1905 (H) x 0.189 (V)		
Pixel Arrangement		R.G.B. Vertical Stripe		
Display Mode		Normally White		
White Luminance Note: I _{LED} is LED current	[cd/m ²]	200 typ 170 min (Note1)		
Luminance Uniformity		1.25max.(5 points) 1.6 max. (13 points)		
Contrast Ratio		300 typ		
Response Time	[ms]	8 typ / 16 max		
Nominal Input Voltage VDD	[Volt]	+3.3 typ.		
Power Consumption	[Watt]	3.0 max. (Include Logic and Black Light power)		
Weight	[Grams]	190 max.		
Physical Size	[mm]	L	W	T
		Max213.66	129.85	5.45
		Typical213.36	129.55	5.15
		Min-	-	-
		1 channel LVDS		
Electrical Interface				
Glass thickness	[mm]	0.5		



Product Specification

AU OPTRONICS CORPORATION

Surface Treatment		Glare
Support Color		262K colors (RGB 6-bit)
Temperature Range Operating Storage (Non-Operating)	[°C] ° [C]	0 to +50 -20 to +65
RoHS Compliance		RoHS Compliance

2.2 Optical Characteristics

The optical characteristics are measured under stable conditions at 25 °C (Room Temperature) :

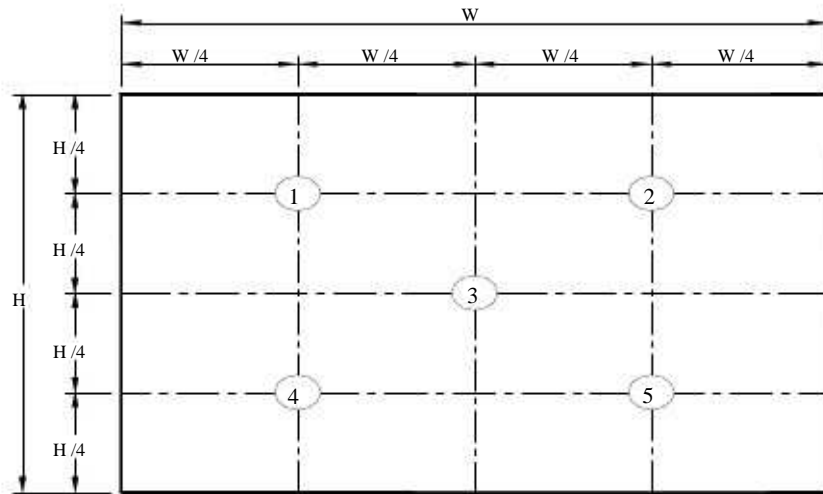
Item	Unit	Conditions	Min.	Typ.	Max.	Note
White Luminance	[cd/m] ²	5 point	170	200	-	1,3
Viewing Angle	[degree] [degree]	Horizontal (Right) CR = 10(Left)	-	45	-	3,8
	[degree] [degree]	Vertical (Upper) CR = 10 (Lower) 5 Points	-	15 35	-	
Luminance Uniformity			-	-	1.25	1,4,5
Luminance Uniformity CR: Contrast Ratio		13 Points	-	-	1.6	2,4,5
Cross talk	%		200	300	-	5,7
Response Time	[msec]	Rising	-	6	12	4,7
	[msec]	Falling	-	2	4	
	[msec]	Rising + Falling	-	8	16	
Chromaticity of color Coordinates (CIE 1931)		Red x	0.535	0.585	0.635	4,8
		Red y	0.304	0.354	0.404	
		Green x	0.29	0.34	0.39	
		Green y	0.529	0.579	0.629	
		Blue x	0.092	0.142	0.192	
		Blue y	0.048	0.098	0.148	
		White x	0.263	0.313	0.363	
	White y	0.279	0.329	0.379		



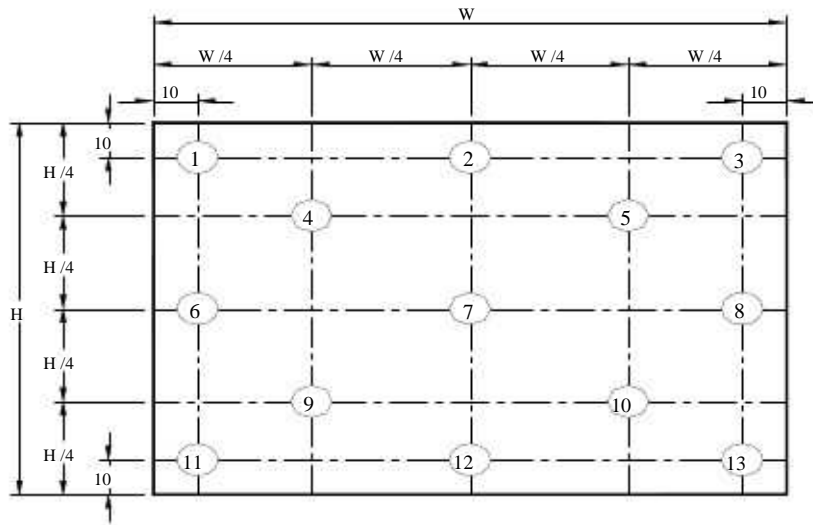
Product Specification

AU OPTRONICS CORPORATION

Note 1 : 5 points position (Ref: Active area)



Note 2. 13 points position (Ref: Active area)



Note 3: The luminance uniformity of 13 points is defined by dividing the maximum luminance values by the minimum test point luminance

$$\delta_{w5} = \frac{\text{Maximum Brightness of five points}}{\text{Minimum Brightness of five points}}$$

$$\delta_{w13} = \frac{\text{Maximum Brightness of thirteen points}}{\text{Minimum Brightness of thirteen points}}$$

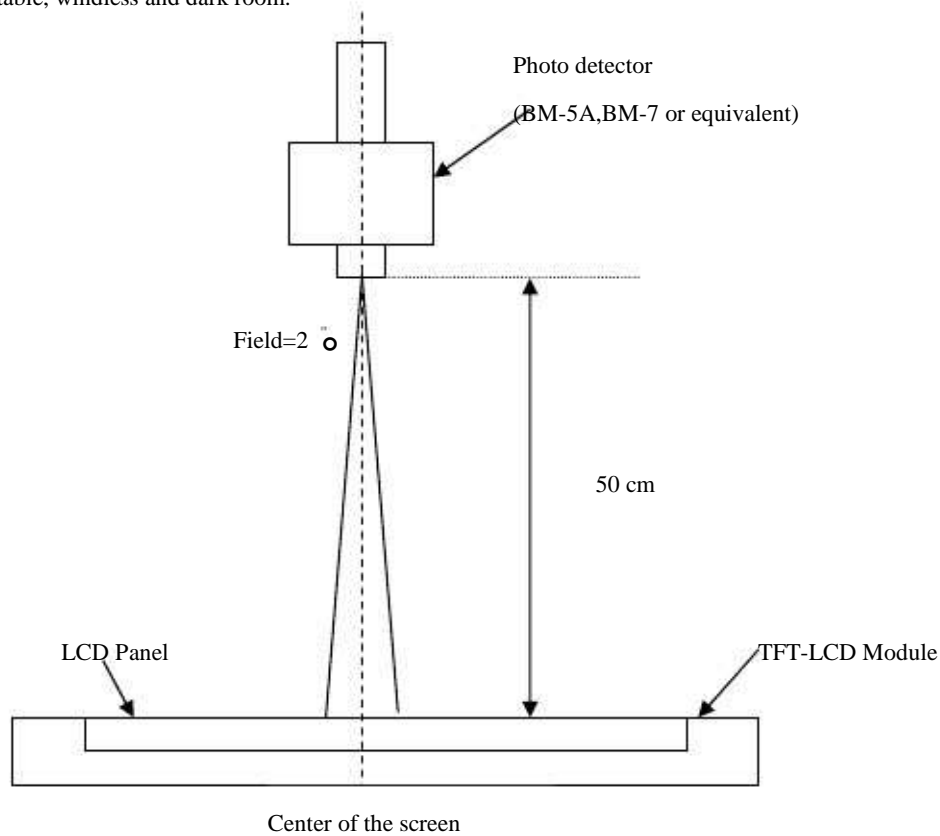


Product Specification

AU OPTRONICS CORPORATION

Note 4: Measurement method

The LCD module should be stabilized at given temperature for 30 minutes to avoid abrupt temperature change during measuring. In order to stabilize the luminance, the measurement should be executed after lighting Backlight for 30 minutes in a stable, windless and dark room.



Note 5 : Definition of contrast ratio:
 : Contrast ratio is calculated with the following formula.

$$\text{Contrast ratio (CR)} = \frac{\text{Brightness on the 'White' state}}{\text{Brightness on the 'Black' state}}$$



Product Specification

AU OPTRONICS CORPORATION

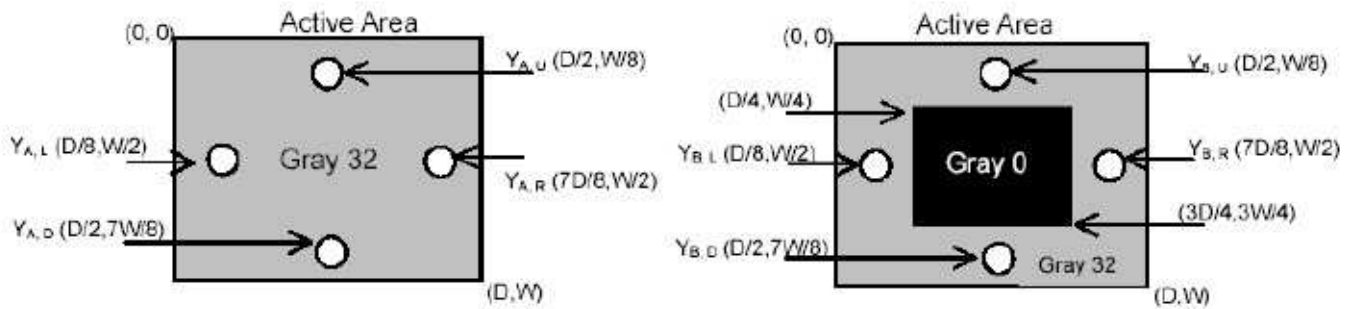
Note 6 : Definition of Cross Talk (CT)

$$CT = |Y_B - Y_A| / Y_A \times 100 (\%)$$

Where

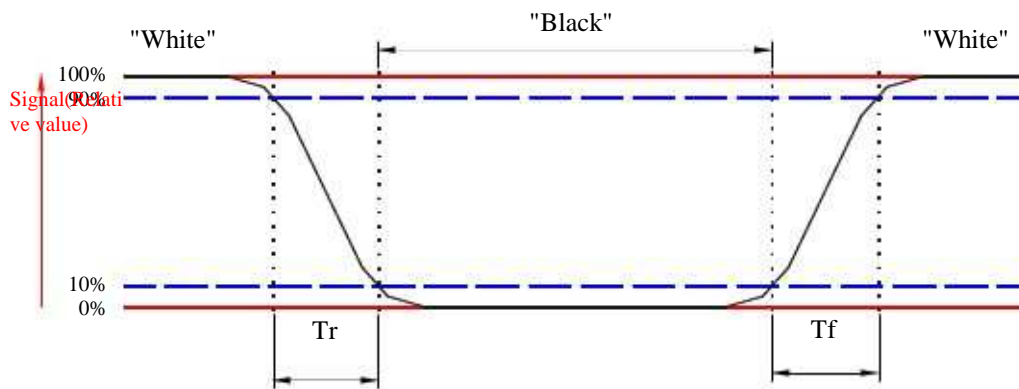
Y_A = Luminance of measured location without gray level 0 pattern (cd/m²)

Y_B = Luminance of measured location with gray level 0 pattern (cd/m²)



Note 7: Definition of response time:

The output signals of BM-7 or equivalent are measured when the input signals are changed from “Black” to “White” (falling time) and from “White” to “Black” (rising time), respectively. The response time interval between the 10% and 90% of amplitudes. Refer to figure as below.



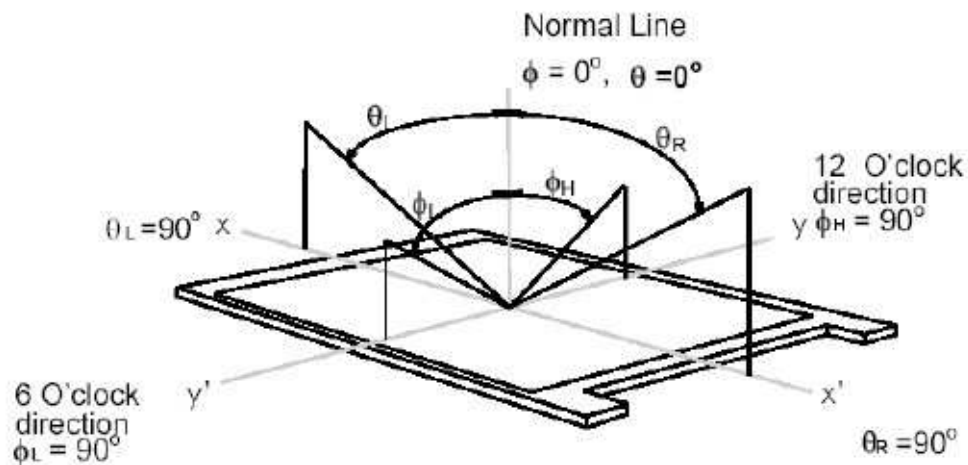


Product Specification

AU OPTRONICS CORPORATION

Note8. Definition of viewing angle

Viewing angle is the measurement of contrast ratio ≥ 10 , at the screen center, over a 170° horizontal and 170° vertical range (off-normal viewing angles). The 170° viewing angle range is broken down as follows; 90° (θ) horizontal left and right and 90° (Φ) vertical, high (up) and low (down). The measurement direction is typically perpendicular to the display surface with the screen rotated about its center to develop the desired measurement viewing angle.



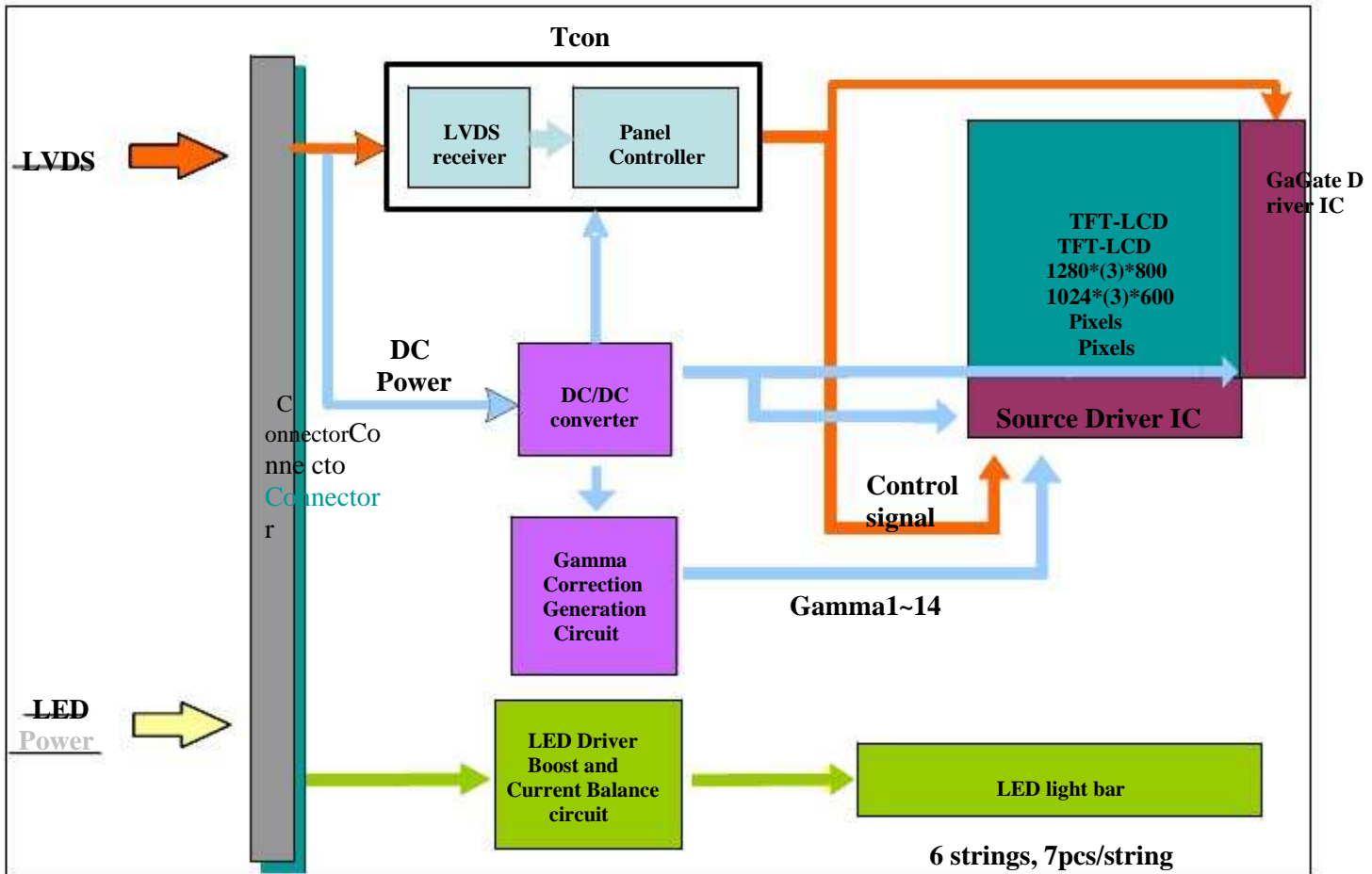


Product Specification

AU OPTRONICS CORPORATION

3. Functional Block Diagram

The following diagram shows the functional block of the 8.9 inches wide Color TFT/LCD 40 Pin (One ch/connector Module):





Product Specification

AU OPTRONICS CORPORATION

4.1 Absolute Ratings of TFT LCD Module

Item	Symbol	Min	Max	Unit	Conditions
Logic/LCD Drive Voltage	Vin	-0.3	+4.0	[Volt]	Note 1,2

4.2 Absolute Ratings of Environment

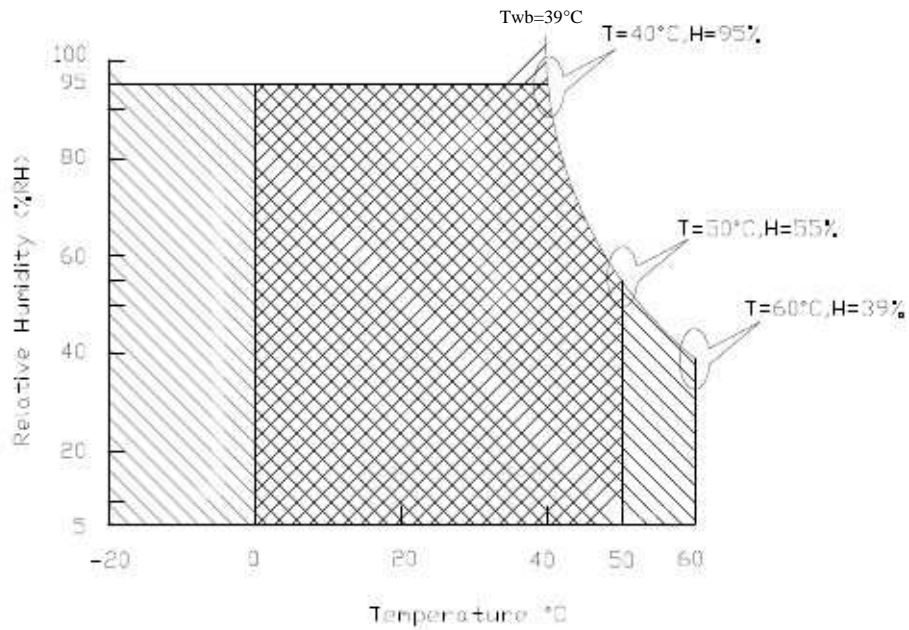
Item	Symbol	Min	Max	Unit	Conditions
Operating Temperature	TOP	0	+50	[°C]	Note 4
Operation Humidity	HOP	10	90	[%RH]	Note 4
Storage Temperature	TST	-20	+60	[°C]	Note 4
Storage Humidity	HST	10	90	[%RH]	Note 4

Note 1: At Ta (25 °C)

Note 2: Permanent damage to the device may occur if exceed maximum values

Note 3: LED specification refer to section 5.2

Note 4: For quality performance, please refer to AUO IIS (Incoming Inspection Standard).



Operating Range

Storage Range +



Product Specification

AU OPTRONICS CORPORATION

5. Electrical characteristics

5.1 TFT LCD Module

5.1.1 Power Specification

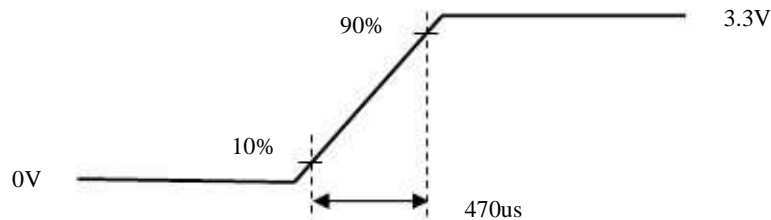
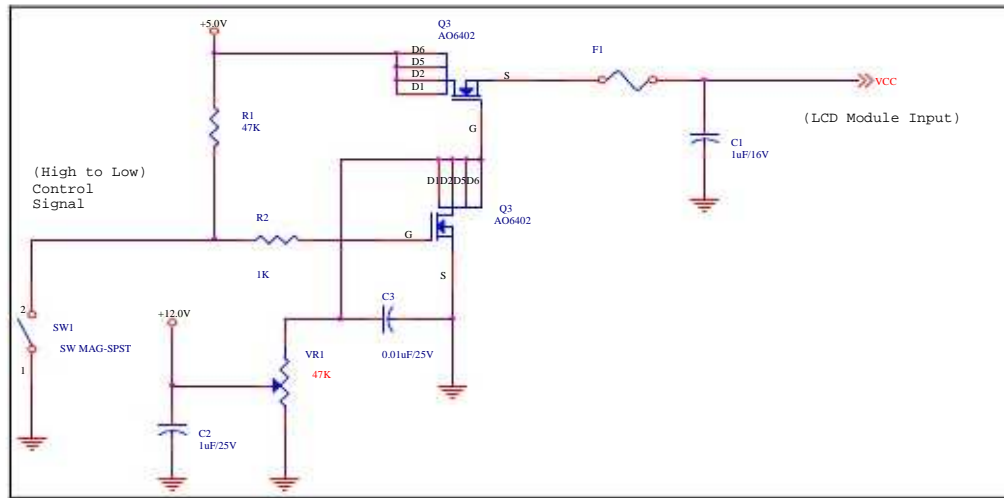
Input power specifications are as follows;

Symble	Parameter	Min	Typ	Max	Unit	Note
VDD	Logic/LCD Drive Voltage	3.0	3.3	3.6	s[Volt]	
PDD	VDD Power	-	0.86	1	[Watt Note 1/2	
IDD	IDD Current	-	260	280	[mA] Note 1/2	
IRush	Inrush Current	-	650	--	[mA] Note 3	
VDDrp	Allowable Logic/LCD Drive Ripple Voltage	-	-	100	[mV] p-p	

Note 1 : Maximum Measurement Condition : Black Pattern

Note 2 : Typical Measurement Condition: Mosaic Pattern

Note 3 : Measure Condition



Vin rising time



Product Specification

AU OPTRONICS CORPORATION

5.1.2 Signal Electrical Characteristics

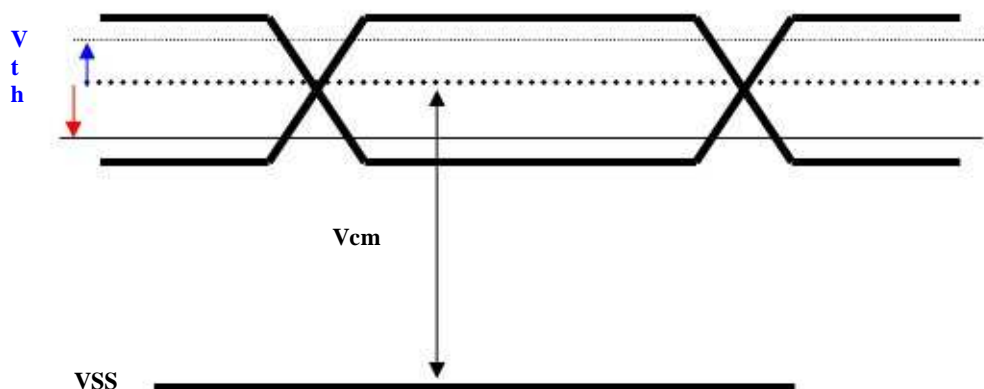
Input signals shall be low or High-impedance state when VDD is off.

It is recommended to refer the specifications of SN75LVDS82DGG (Texas Instruments) in detail.

Signal electrical characteristics are as follows;

Parameter	Condition	Min	Max	Unit
V _{th}	Differential Input High Threshold (V _{cm} =+1.2V)	-	100	[mV]
V _{tl}	Differential Input Low Threshold (V _{cm} =+1.2V)	-100	-	[mV]
V _{cm}	Differential Input Common Mode Voltage	1.125	1.375	[V]

Note: LVDS Signal Waveform





Product Specification

AU OPTRONICS CORPORATION

5.2 Backlight Unit

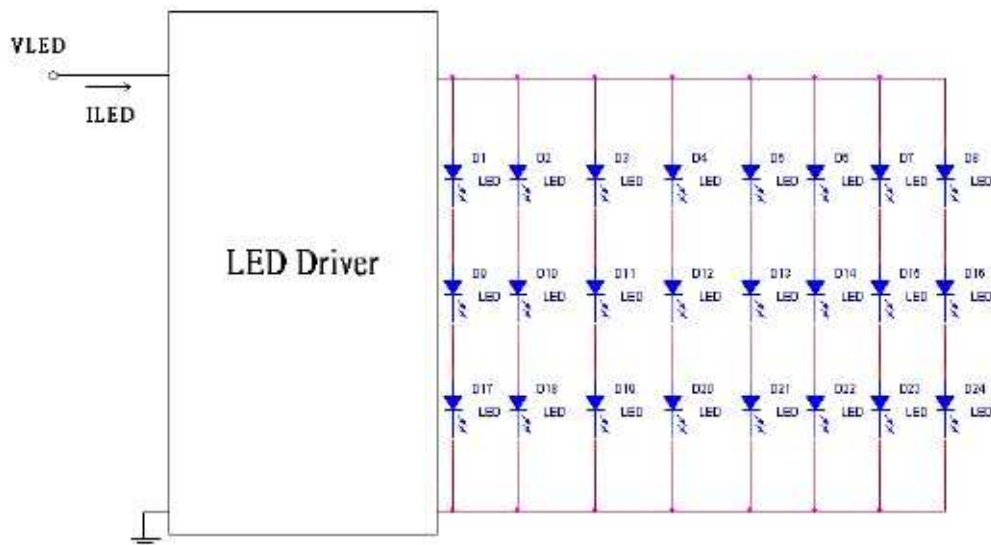
Parameter	Symbol	Min	Typ	Max	Units	Condition
LED Circuit Power Supply	V_{LED}	4.5	5	5.5	[Volt]	($T_a=25^\circ$)
LED Circuit Input current	I_{LED}		350	460	[mA]	($T_a=25^\circ$)
LED Power Consumption	P_{LED}		1.75	2.1	[Watt]	($T_a=25^\circ$) Note 1
LED PWM Frequency	L_{Freq}	100	200	20K	Hz	
LED Life-Time	N/A	10,000	-	-	Hour	($T_a=25^\circ$) $I_F=20$ mA Note 2
Duty Ratio	---	15		100	%	

Note 1: Calculator value for reference $I_F \times V_F = P$

Note 2: The LED life-time define as the estimated time to 50% degradation of initial luminous.

Note 3: The LED driving condition is defined for LED module (24 LED)

Note 4: Define "LED Lifetime": brightness is decreased to 50% of the initial value.





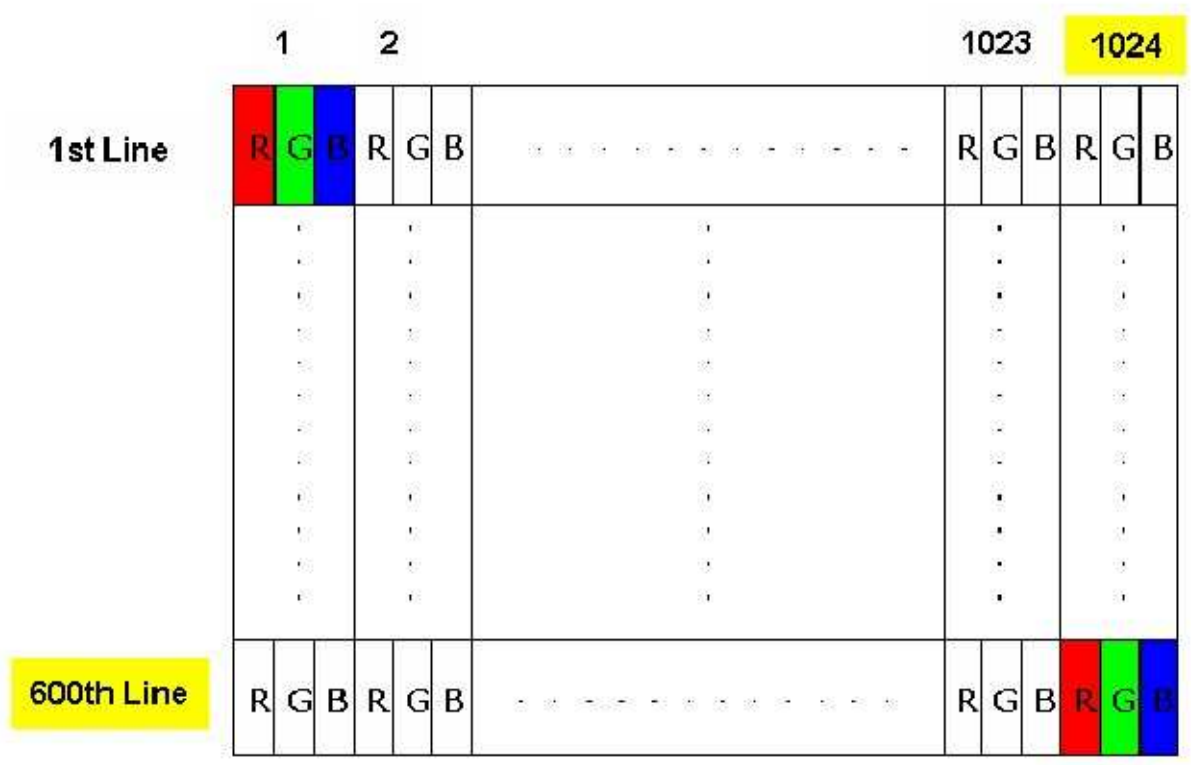
Product Specification

AU OPTRONICS CORPORATION

6. Signal Characteristic

6.1 Pixel Format Image

Following figure shows the relationship of the input signals and LCD pixel format.

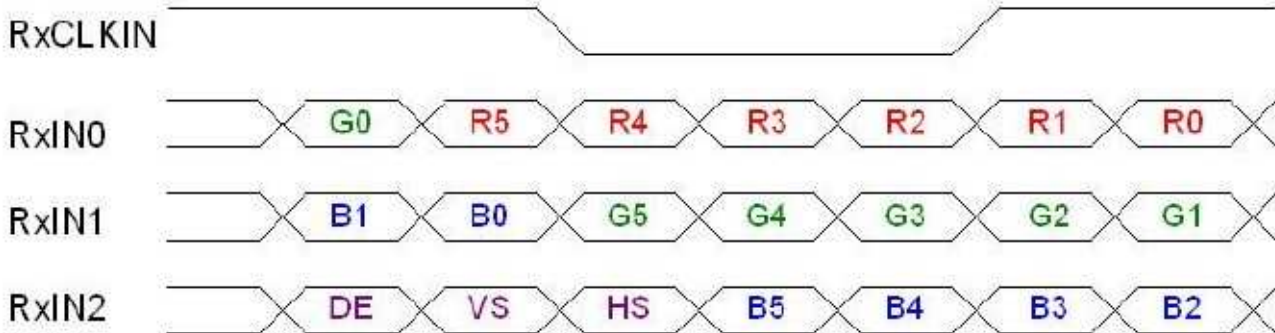




Product Specification

AU OPTRONICS CORPORATION

6.2 The input data format



Signal Name	Description	
R5 R4 R3 R2 R1 R0	Red Data 5 (MSB) Red Data 4 Red Data 3 Red Data 2 Red Data 1 Red Data 0 (LSB)	Red-pixel Data Each red pixel's brightness data consists of these 6 bits pixel data.
G5 G4 G3 G2 G1 G0	Green Data 5 (MSB) Green Data 4 Green Data 3 Green Data 2 Green Data 1 Green Data 0 (LSB)	Green-pixel Data Each green pixel's brightness data consists of these 6 bits pixel data.
B5 B4 B3 B2 B1 B0	Blue Data 5 (MSB) Blue Data 4 Blue Data 3 Blue Data 2 Blue Data 1 Blue Data 0 (LSB)	Blue-pixel Data Each blue pixel's brightness data consists of these 6 bits pixel data.
RxCLKIN	Data Clock	The typical frequency is 54.2MHZ.The signal is used to strobe the pixel data and DE signals. All pixel data shall be valid at the falling edge when the DE signal is high.
DE	Display Timing	This signal is strobed at the falling edge of RxCLKIN. When the signal is high, the pixel data shall be valid to be displayed. The signal is synchronized to RxCLKIN .
VS	Vertical Sync	The signal is synchronized to RxCLKIN .
HS	Horizontal Sync	

Note: Output signals from any system shall be low or High-impedance state when VDD is off.



Product Specification

AU OPTRONICS CORPORATION

6.3 Signal Description/Pin Assignment

Pin no	Symbol	Description	Remark
1	GND	Ground	
2	VDD	+3.3V Power Supply	
3	VDD	+3.3V Power Supply	
4	VEDID	+3.3V EDID Power	
5	NC	No Connection (Reserve for AUO test)	
6	CLK _{EDID}	EDID Clock Input	
7	DATA _{EDID}	EDID Data Input	
8	RxIN0-	LVDS differential data input(R0-R5, G0)	
9	RxIN0+	LVDS differential data input(R0-R5, G0)	
10	GND	Ground	
11	RxIN1-	LVDS differential data input(G1-G5, B0-B1)	
12	RxIN1+	LVDS differential data input(G1-G5, B0-B1)	
13	GND	Ground	
14	RxIN2-	LVDS differential data input(B2-B5, HS, VS, DE)	
15	RxIN2+	LVDS differential data input(B2-B5, HS, VS, DE)	
16	GND	Ground	
17	RxCLKIN-	LVDS differential clock input	
18	RxCLKIN+	LVDS differential clock input	
19	GND	Ground	
20	NC	No Connection (Reserve for AUO test)	
21	NC	No Connection (Reserve for AUO test)	
22	GND	Ground	
23	NC	No Connection (Reserve for AUO test)	
24	NC	No Connection (Reserve for AUO test)	
25	GND	Ground	
26	NC	No Connection (Reserve for AUO test)	
27	NC	No Connection (Reserve for AUO test)	
28	GND	Ground	
29	VLED	LED Power Supply +5V	
30	VLED	LED Power Supply +5V	
31	VLED_GND	LED Ground	
32	VLED_GND	LED Ground	
33	VLED_GND	LED Ground	
34	NC	No Connection (Reserve for AUO test)	
35	NC	No Connection (Reserve for AUO test)	
36	NC	No Connection (Reserve for AUO test)	
37	NC	No Connection (Reserve for AUO test)	
38	S_PWMIN	System PWM signal input	Note 1
39	LED_EN	ENB pin input (On: 3.3V or 5V, Off: 0V)	Note 2
40	NC	No Connection (Reserve for AUO test)	

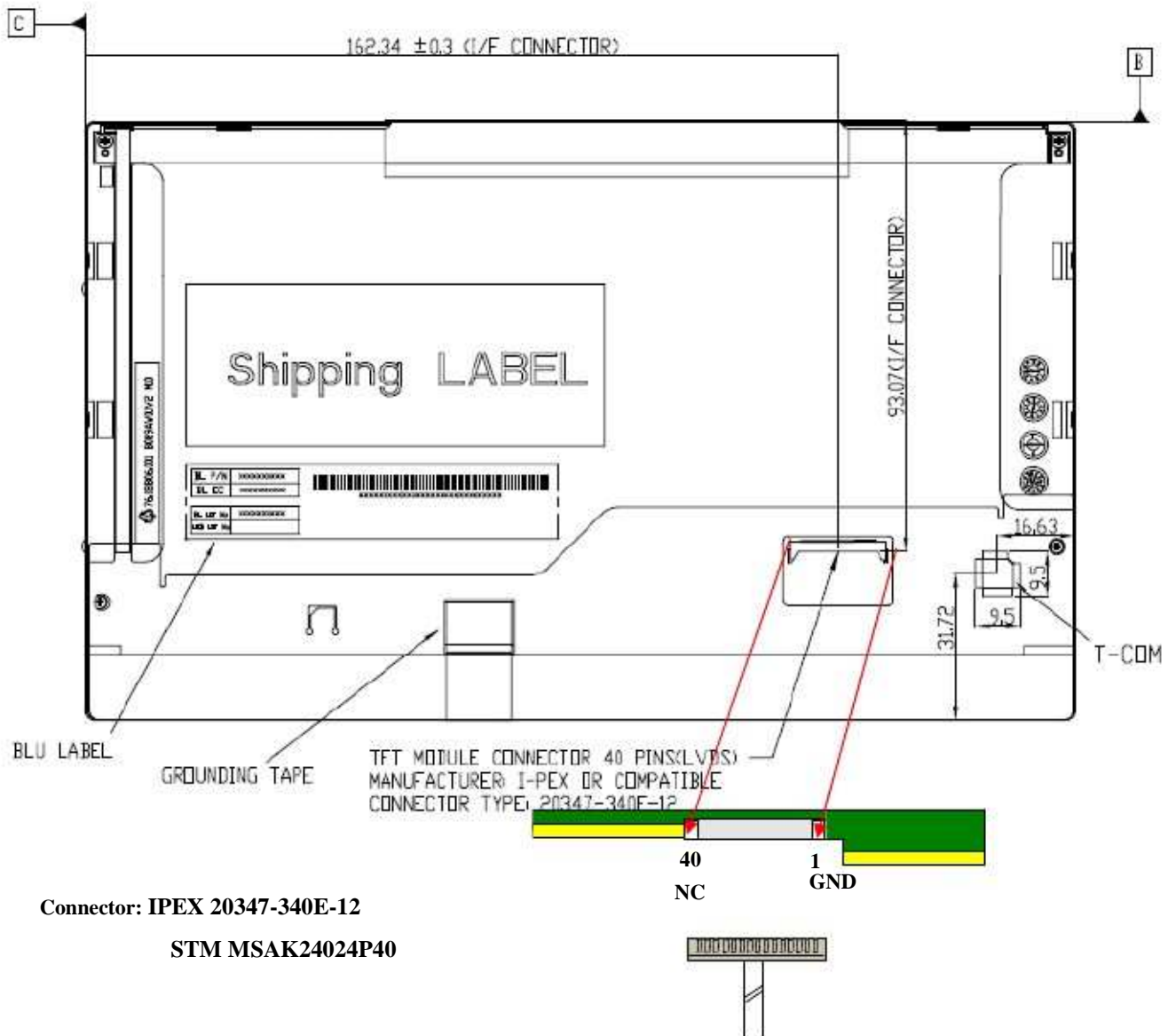
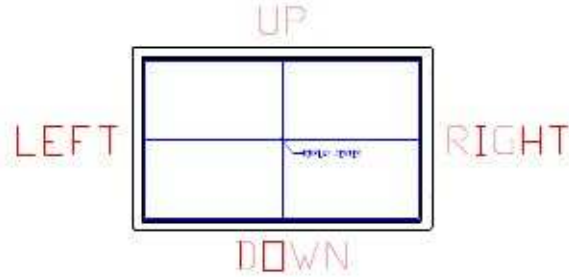


Product Specification

AU OPTRONICS CORPORATION

LVDS is a differential signal technology for LCD interface and high speed data transfer device.

Note 1: The PWM pin should not connect to ground, it should pull-high if not adjust brightness.





Product Specification

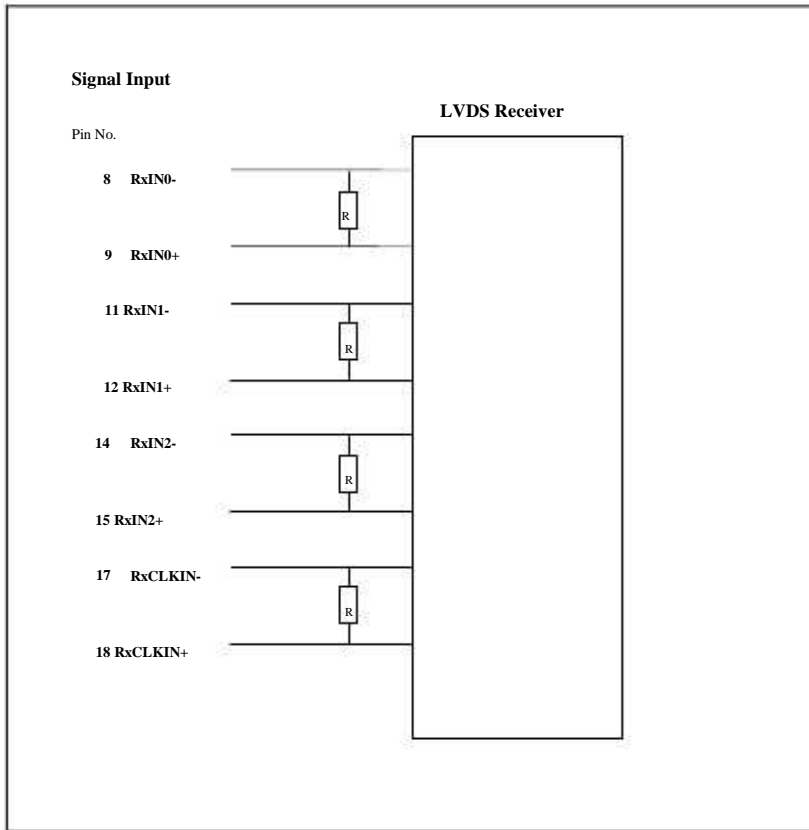
AU OPTRONICS CORPORATION

Note1: Start from right side

Note2: Input signals shall be low or High-impedance state when VDD is off.

internal circuit of LVDS inputs are as following.

The module uses a 100ohm resistor between positive and negative data lines of each receiver input





Product Specification

AU OPTRONICS CORPORATION

6.4 Interface Timing

6.4.1 Timing Characteristics

Basically, interface timings should match the 1024 x 600 /60Hz manufacturing guide line timing.

Parameter	Symbol	Min.	Typ.	Max.	Unit	
Frame Rate	-	-	60	-	Hz	
Clock frequency	1/ T _{Clock}	--	54.2	75	MHz	
Vertical Section	Period	T _V	603	625	650	T _{Line}
	Active	T _{VD}	600	600	600	
	Blanking	T _{VB}	3	25	50	
Horizontal Section	Period	T _H	1303	1344	1534	T _{Clock}
	Active	T _{HD}	1024	1024	1024	
	Blanking	T _{HB}	22	320	510	

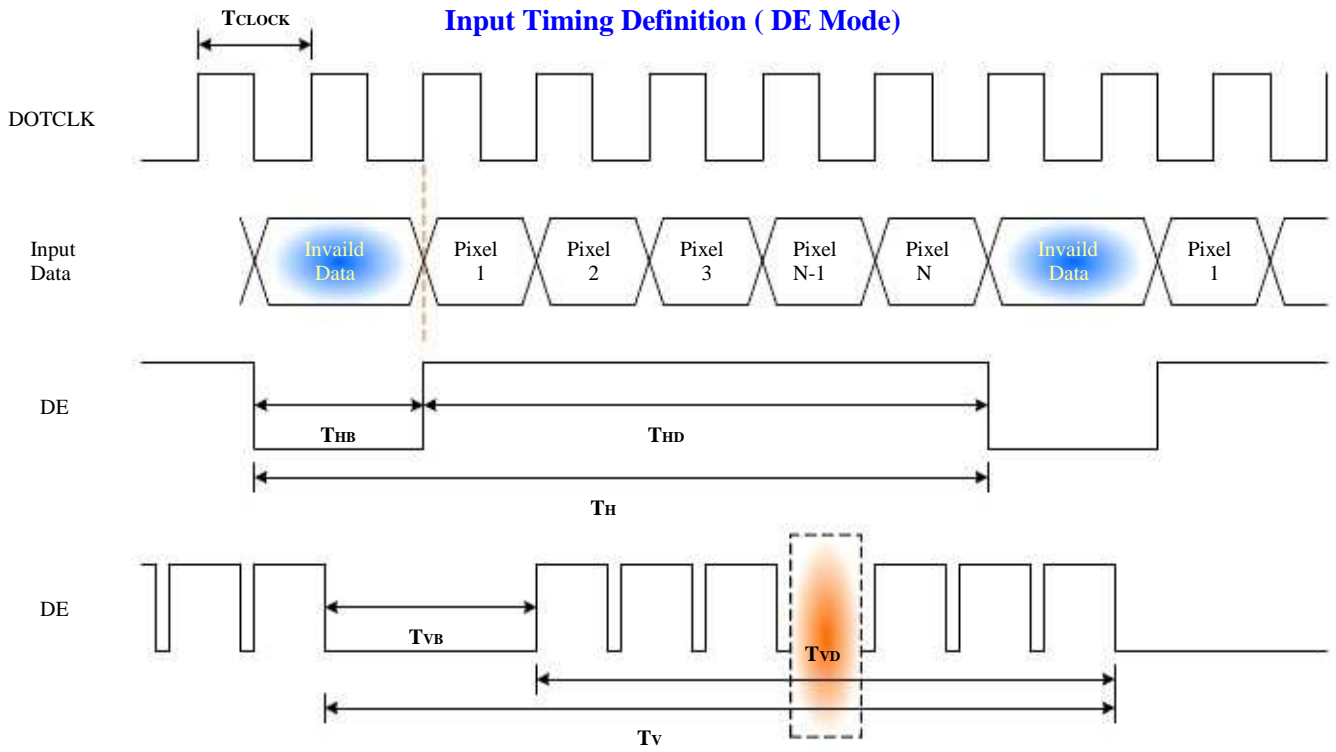
Note : DE mode only



Product Specification

AU OPTRONICS CORPORATION

6.4.2 Timing diagram





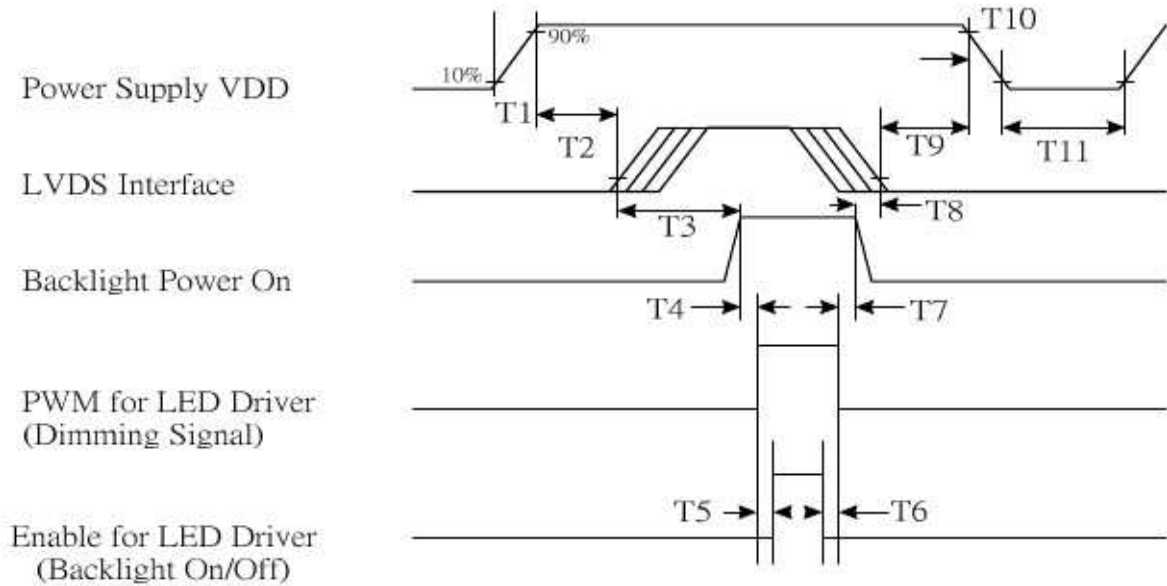
Product Specification

AU OPTRONICS CORPORATION

6.5 Power Sequence

6.5.1 Panel Power Sequence

VDD power and LED on/off sequence is as follows. Interface signals are also shown in the chart. Signals from any system shall be Hi-Z state or low level when VDD is off.



POWER Sequence Timing

Parameter	Value			Unit
	Min.	Typ.	Max.	
T1	0.5	-	10	[ms]
T2	30	40	50	[ms]
T3	200	-	-	[ms]
T4	10	-	-	[ms]
T5	10	-	-	[ms]
T6	0	-	-	[ms]
T7	10	-	-	[ms]
T8	100	-	-	[ms]
T9	0	16	50	[ms]
T10	-	-	10	[ms]
T11	1000	-	-	[ms]



Product Specification

AU OPTRONICS CORPORATION

7. Connector Description

Physical interface is described as for the connector on module.

These connectors are capable of accommodating the following signals and will be following components.

7.1 TFT LCD Module

Connector Name / Designation	For Signal Connector
Manufacturer	IPEX, STM or compatible
Type / Part Number	IPEX20347-340E-12, STMMSAK24024P40 or compatible
Mating Housing/Part Number	IPEX 20345-340E-12 or compatible



Product Specification

AU OPTRONICS CORPORATION

8. 8. LED Driving Specification

8.1 Connector Description

It is a integrative interface and comibe into LVDS connector. The type and mating refer to section 7.

8.2 Pin Assignment

Pin no	Symbol	Description	Remark
29	VLED	LED Power Supply +5V	
30	VLED	LED Power Supply +5V	
31	VLED_GND	LED Ground	
32	VLED_GND	LED Ground	
33	VLED_GND	LED Ground	
34	NC	No Connection (Reserve for AUO test)	
35	NC	No Connection (Reserve for AUO test)	
36	NC	No Connection (Reserve for AUO test)	
37	NC	No Connection (Reserve for AUO test)	
38	S_PWMIN	System PWM signal Input	
39	LED_EN	ENB pin input (On: 3.3V or 5V, Off: 0V)	
40	NC	No Connection (Reserve for AUO test)	



Product Specification

AU OPTRONICS CORPORATION

9. Vibration and Shock Test

9.1 Vibration Test

Test Spec:

Test method:	Non-Operation
Acceleration:	1.5 G
Frequency:	10 - 500Hz Random
Sweep:	30 Minutes each Axis (X, Y, Z)

9.2 Shock Test Spec:

Test Spec:

Test method:	Non-Operation
Acceleration:	220 G , Half sine wave
Active time:	2 ms
Pulse:	X,Y,Z .one time for each side



Product Specification

AU OPTRONICS CORPORATION

10. Reliability

Items	Required Condition	Note
Temperature Humidity Bias	Ta= 40□, 90%RH, 300h□	
High Temperature Operation	Ta= 50□, Dry, 300h□	
Low Temperature Operation	Ta= 0□, 300h□	
High Temperature Storage	Ta= 60□, 35%RH, 300h□	
Low Temperature Storage	Ta= -20□, 50%RH, 250h□	
Thermal Shock Test	Ta=-20□ to 60□, Duration at 30 min, 100 cycles□□	
ESD	Contact : ±8 KV Air : ± 15 KV	Note 1

Note1: According to EN 61000-4-2 , ESD class B: Some performance degradation allowed. No data lost

. Self-recoverable. No hardware failures.

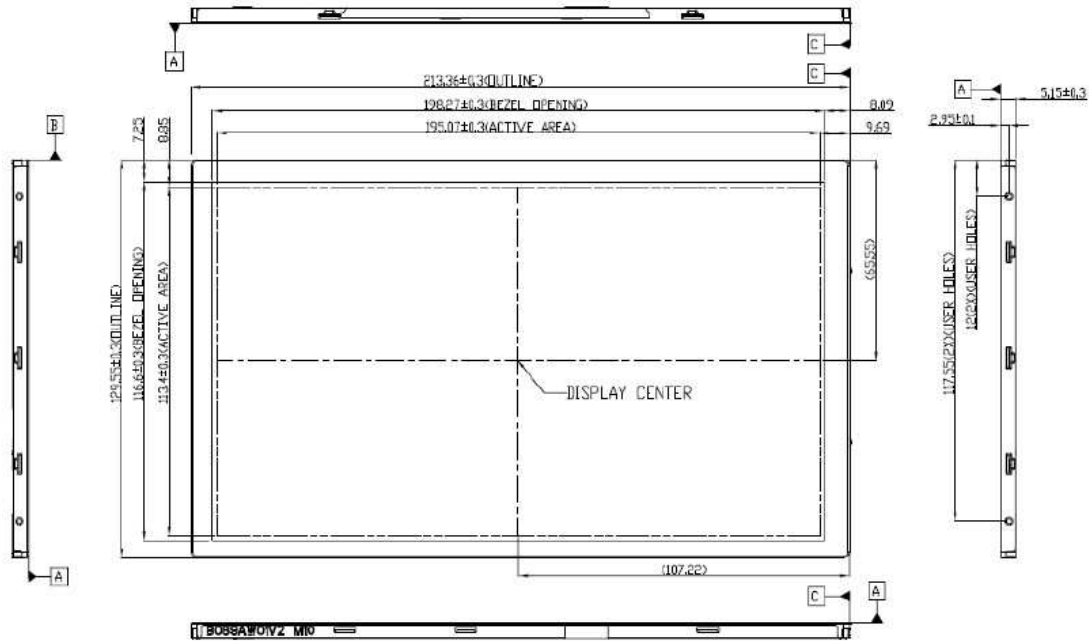
Remark: MTBF (Excluding the LED): 30,000 hours with a confidence level 90%



11. Mechanical Characteristics

11.1 LCM Outline Dimension

Note: In order to avoid IC damage, it is not allowed to have any component overlapping on those areas.





Product Specification

AU OPTRONICS CORPORATION

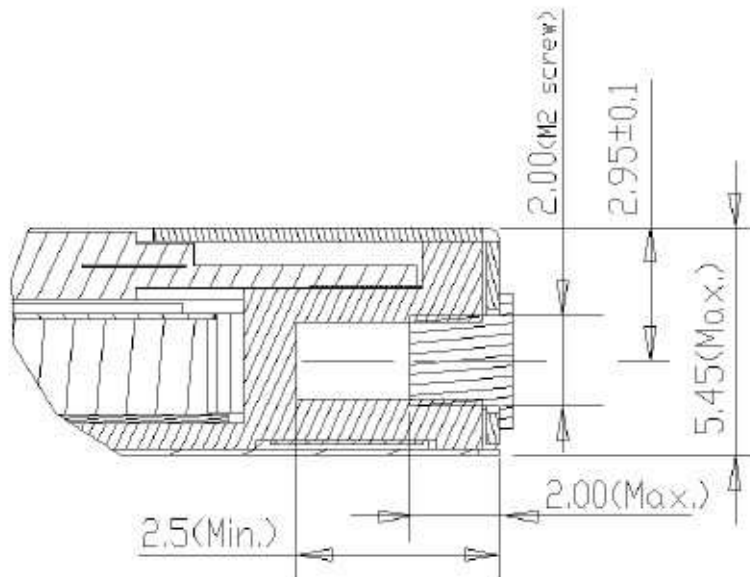
11.2 Screw Hole Depth and Center Position

Screw hole minimum depth, from side surface = 2.5 mm (See drawing)

Screw hole center location, from front surface = 2.95 ± 0.1 mm (See drawing)

Suggestions: Customers' Screw maximum length = 2.0 mm (See drawing)

Screw Torque: Maximum 2.5 kgf-cm





Product Specification

AU OPTRONICS CORPORATION

12. Shipping and Package

12.1 Shipping Label Format



* H/W code control table :

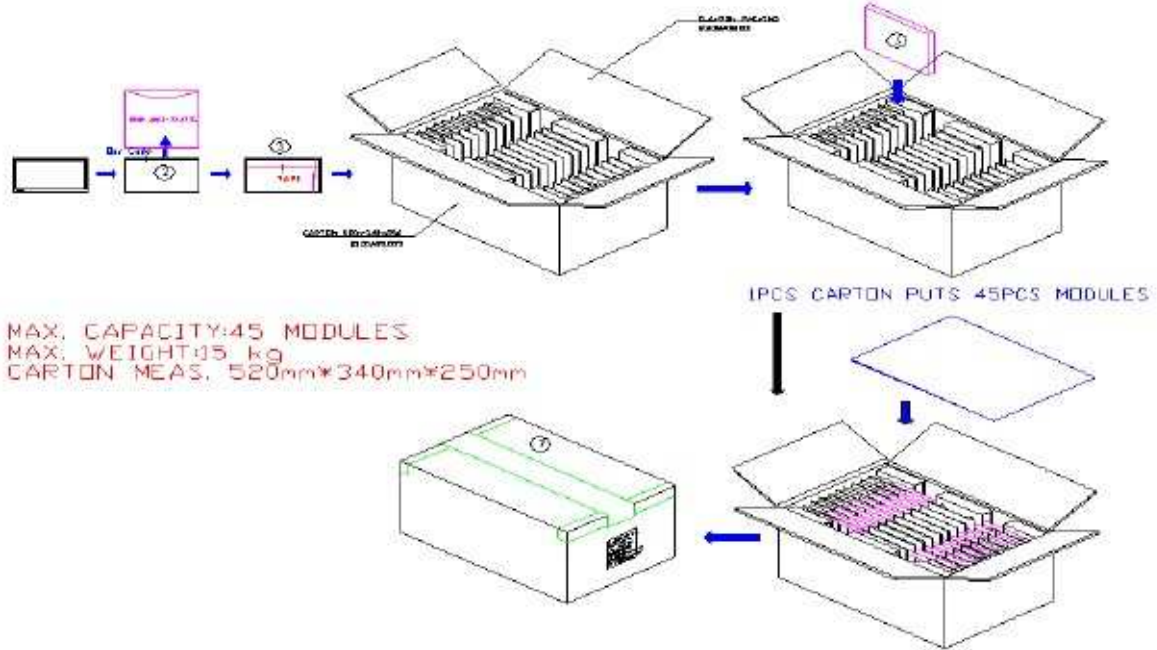
IC Combination		Control Code	H/W
Source	Novatek	OAXXG	0A
Gate	Novatek		
Source	Radium	1AXXG	1A
Gate	Radium		



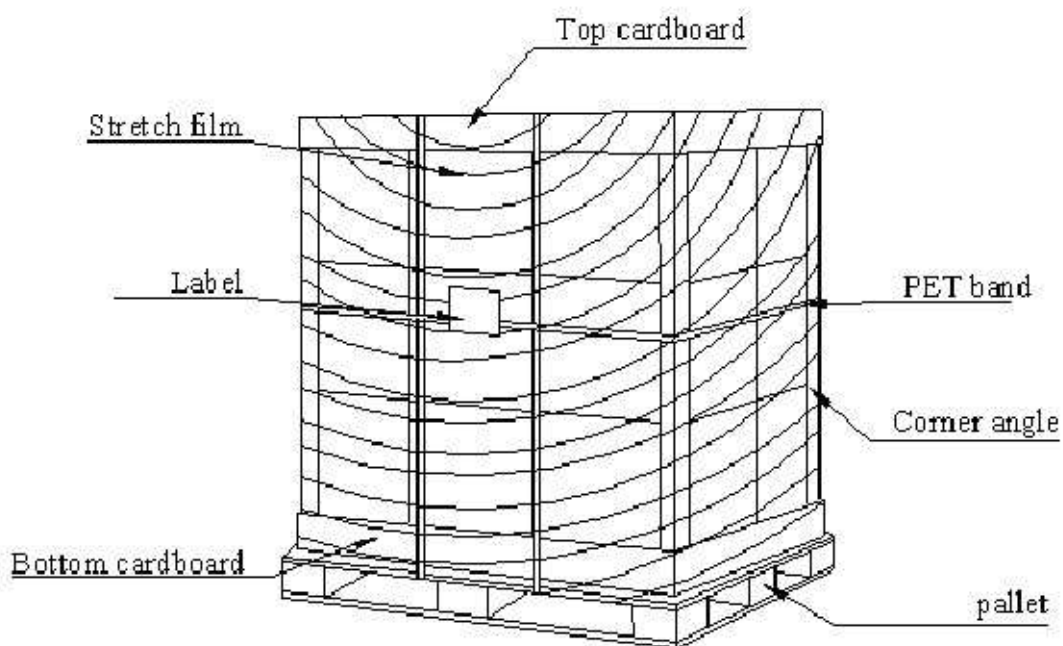
Product Specification

AU OPTRONICS CORPORATION

12.2 Carton package



12.3 Shipping package of palletizing sequence





Product Specification

AU OPTRONICS CORPORATION

13. Appendix: EDID description

B089AW01 V3 EDID CODE

Address	FUNCTION	Value	Value	Value	Note
HEX		HEX	BIN	DEC	
00	Header	00	00000000	0	
01		FF	11111111	255	
02		FF	11111111	255	
03		FF	11111111	255	
04		FF	11111111	255	
05		FF	11111111	255	
06		FF	11111111	255	
07		00	00000000	0	
08	EISA Manuf. Code LSB	06	00000110	6	
09	Compressed ASCII	AF	10101111	175	
0A	Product Code Serial BSL, xeh	C2	11000010	194	
0B	EDID Vendor ID eDoC-tudorP	13	00010011	19	
0C	32-bit ser #	00	00000000	0	
0D		00	00000000	0	
0E		00	00000000	0	
0F		00	00000000	0	
10	Week of manufacture	01	00000001	1	
11	Year of manufacture	12	00010010	18	
12	EDID Structure Ver.	01	00000001	1	
13	EDID revision #	03	00000011	3	
14	Video input def. (digital I/P, non-TMDS, CRGB)	80	10000000	128	
15	Max H image size (rounded to cm)	14	00010100	20	
16	Max V image size (rounded to cm)	0B	00001011	11	
17	Display Gamma =(gamma*100)-100)	78	01111000	120	
18	Feature support (no DPMS, Active OFF, RGB, tmg Blk#1)	0A	00001010	10	
19	Red/green low bits (Lower 2:2:2 bits) Blue/white low bits (Lower 2:2:2 bits) Red x (Upper 8 bits)	E1	11100001	225	
1A		45	01000101	69	
1B		95	10010101	149	
1C	Red y/ highER 8 bits	5A	01011010	90	
1D	Green x	57	01010111	87	
1E	Green y	94	10010100	148	
1F	Blue x	24	00100100	36	
20	Blue y	19	00011001	25	
21	White x	50	01010000	80	
22	White y	54	01010100	84	
23	Established timing 1	00	00000000	0	
24	Established timing 2	00	00000000	0	
25	Established timing 3	00	00000000	0	
26	Standard timing #1	01	00000001	1	
27		01	00000001	1	
28	Standard timing #2	01	00000001	1	
29		01	00000001	1	
2A	Standard timing #3	01	00000001	1	
2B		01	00000001	1	
2C	Standard timing #4	01	00000001	1	
2D		01	00000001	1	
2E	Standard timing #5	01	00000001	1	



Product Specification

AU OPTRONICS CORPORATION

2F		01	00000001	1	
30	Standard timing #6	01	00000001	1	
31		01	00000001	1	
32	Standard timing #7	01	00000001	1	
33		01	00000001	1	
34	Standard timing #8	01	00000001	1	
35		01	00000001	1	
36	Pixel Clock/10000 LSB	7C	01111100	124	
37	Pixel Clock/10000 USB	15	00010101	21	
38	Horz active Lower 8bits	00	00000000	0	
39	Horz blanking Lower 8bits	00	00000000	0	
3A	HorzAct:HorzBlnk Upper 4:4 bits	AE	10101110	174	
3B	Vertical Active Lower 8bits	41	01000001	65	
3C	Vertical Blanking Lower 8bits	41	01000001	65	
3D	Vert Act : Vertical Blanking(upper 4:4 bit)	58	01011000	88	
3E	HorzSync. Offset	1E	00011110	30	
3F	HorzSync.Width	20	00100000	32	
40	VertSync.Offset : VertSync.Width	18	00011000	24	
41		88	10001000	136	
42		31	00110001	49	
43	Horz&Vert Sync Offset/Width Upper 2bits	00	00000000	0	
44	Horizontal Image Size Lower 8bits	C3	11000011	195	
45	Vertical Image Size Lower 8bits	71	01110001	113	
46	Horizontal & Vertical Image Size (upper 4:4 bits)	00	00000000	0	
47	Horizontal Border (zero for internal LCD)	00	00000000	0	
48	Vertical Border (zero for internal LCD)	00	00000000	0	
49	Signal (non-intr, norm, no stero, sep sync, neg pol)	18	00011000	24	
4A		00	00000000	0	
4B	Detailed timing/monitor	00	00000000	0	
4C	descriptor #2	00	00000000	0	
4D		0F	00001111	15	
4E		00	00000000	0	
4F		00	00000000	0	
50		00	00000000	0	
51		00	00000000	0	
52		00	00000000	0	
53		00	00000000	0	
54		00	00000000	0	
55		00	00000000	0	
56		00	00000000	0	
57		00	00000000	0	
58		00	00000000	0	
59		20	00100000	32	
5A	Detailed timing/monitor	00	00000000	0	
5B	descriptor #3	00	00000000	0	
5C		00	00000000	0	
5D		FE	11111110	254	
5E		00	00000000	0	
5F	Manufacture	41	01000001	65	A
60	Manufacture	55	01010101	85	U
61	Manufacture	4F	01001111	79	O



Product Specification

AU OPTRONICS CORPORATION

62		0A	00001010	10	
63		20	00100000	32	
64		20	00100000	32	
65		20	00100000	32	
66		20	00100000	32	
67		20	00100000	32	
68		20	00100000	32	
69		20	00100000	32	
6A		20	00100000	32	
6B		20	00100000	32	
6C	Detailed timing/monitor	00	00000000	0	
6D	descriptor #4	00	00000000	0	
6E		00	00000000	0	
6F		FE	11111110	254	
70		00	00000000	0	
71	Manufacture P/N	42	01000010	66	B
72	Manufacture P/N	30	00110000	48	0
73	Manufacture P/N	38	00111000	56	8
74	Manufacture P/N	39	00111001	57	9
75	Manufacture P/N	41	01000001	65	A
76	Manufacture P/N	57	01010111	87	W
77	Manufacture P/N	30	00110000	48	0
78	Manufacture P/N	31	00110001	49	1
79	Manufacture P/N	20	00100000	32	
7A	Manufacture P/N	56	01010110	86	V
7B	Manufacture P/N	33	00110011	51	3
7C		20	00100000	32	
7D		0A	00001010	10	
7E	Extension Flag	00	00000000	0	
7F	Checksum	37	00110111	55	