

511-213 TO 274

MILLI-GRID (TM)

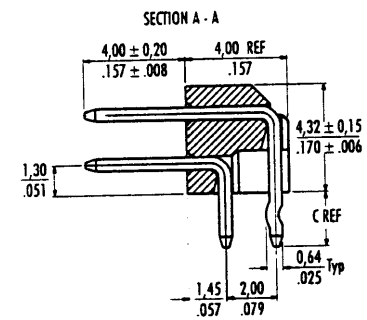
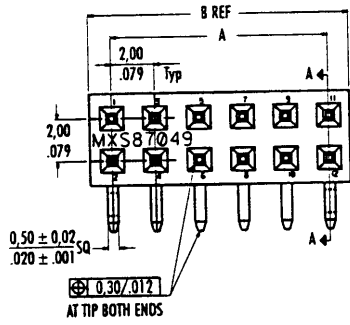
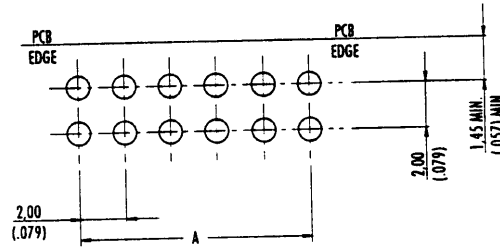
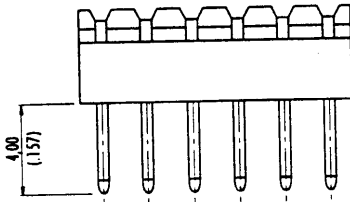
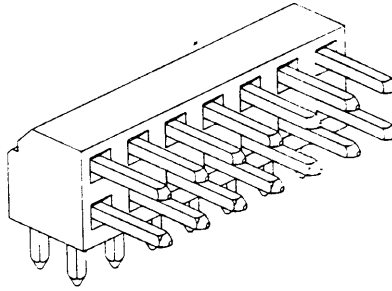
2,0 mm (.079")

RIGHT ANGLE
HEADER

87049

FEATURES AND TECHNICAL DATA

- 4-40 circuits
- UL 94V-0, G/F polyester, black
- 0,5 mm square phosphor bronze pins
- End-to-end stackable
- For PCB thickness 1,60 ± 0,10 mm
- Tray packaging
- Connects with Milli-Grid 2,0 mm receptacle 51110
- Options: void pin version
 kinked PC tail



ORDERING INFORMATION AND DIMENSIONS

Ccts	Order no. 15 µin select gold	Dimensions	
		A	B
4	87049-0416	2,00	4,00
6	87049-0616	4,00	6,00
8	87049-0816	6,00	8,00
10	87049-1016	8,00	10,00
12	87049-1216	10,00	12,00
14	87049-1416	12,00	14,00
16	87049-1616	14,00	16,00
18	87049-1816	16,00	18,00
20	87049-2016	18,00	20,00
22	87049-2216	20,00	22,00

Ccts	Order no. 15 µin select gold	Dimensions	
		A	B
24	87049-2416	22,00	24,00
26	87049-2616	24,00	26,00
28	87049-2816	26,00	28,00
30	87049-3016	28,00	30,00
32	87049-3216	30,00	32,00
34	87049-3416	32,00	34,00
36	87049-3616	34,00	36,00
38	87049-3816	36,00	38,00
40	87049-4016	38,00	40,00

Note: Larger circuit sizes available upon request to your local distributor.

